

Counter Stool

Assembly Instructions
Instrucciones De Asamblea
Instructions d'Assemblée

PARTS



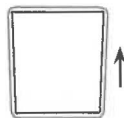
A



B



C



D

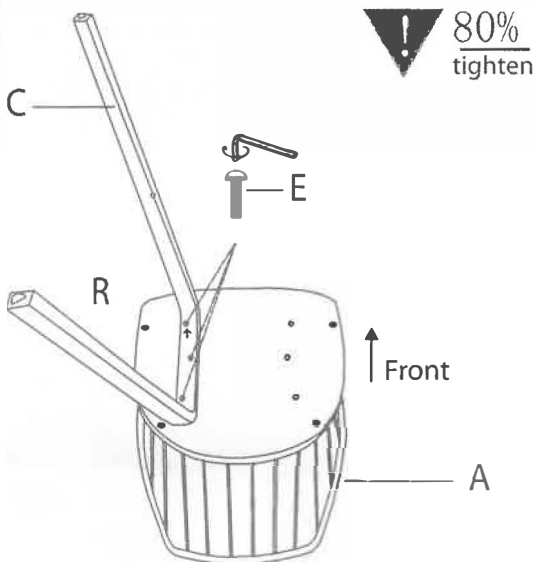


X 10
(M6*30mm)

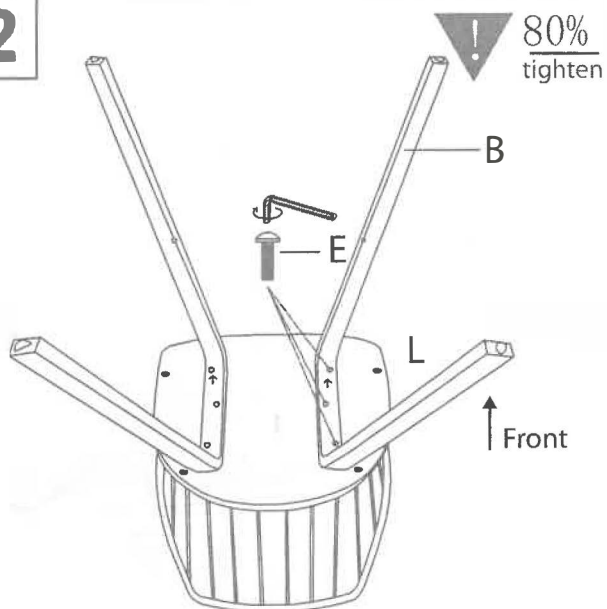


F

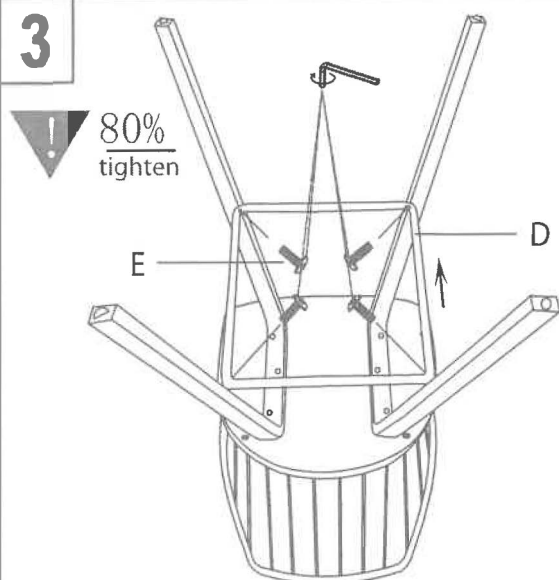
1



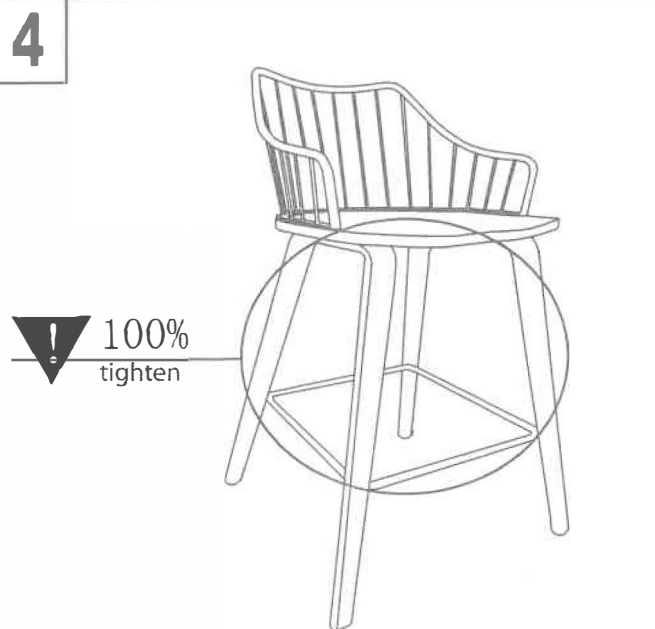
2



3



4



Do not over tighten.
Do not use power tools to assemble.