

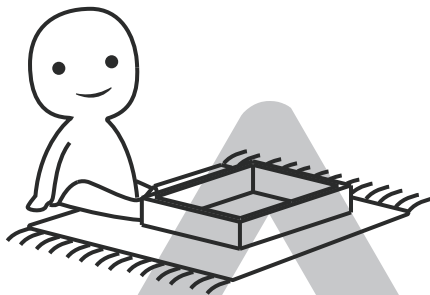
INSTALLATION

Product Manual



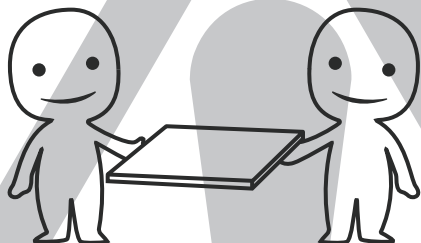
IMPORTANT INFORMATION!

Please read the entire manual before starting to assemble and/or using this product. Follow the manual thoroughly and keep it for further reference.



AVOID SCRATCHES!

In order to avoid scratching this furniture should be assembled on a soft layer-could be a rug.



IMPROVE EFFICIENCY !

Try to find a partner to install with you, which can speed up the installation efficiency and shorten the time.



ANTI-TOPPLE WARNING !

Overturned furniture can cause serious or fatal crush injuries. To prevent tipping over, be sure to use the wall attachment, if not included with this product. Please purchase the wall attachment that fit your wall. If unsure, seek professional advice. Please read and follow each step of the instructions carefully.

IMPORTANT !

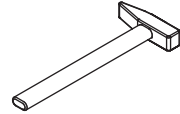
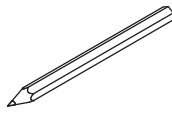
It is important that any product which is assembled using any kind of screw is re-tightened 2 weeks after assembly, and once every 3 months - in order to assure stability through-out the lifespan of the product.

For regular maintenance and cleaning of the product, for the frame, please use a rag dipped in neutral detergent to fully wipe it, and then dry it with a clean rag. For glass materials, wipe with a rag dampened with water glass cleaner, and then dry with a dry rag.

Do not use an electric screwdriver, and do not use too much force when installing, because the board is easy to break.

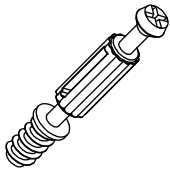


Please prepare the following tools



When installing, please carefully confirm whether each screw corresponds to the manual, accessories with similar shapes can be distinguished by size

A x 94



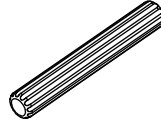
M5 x 42 mm

B x 98



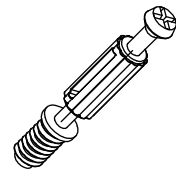
Ø15 x 10 mm

C x 20



Ø 8 x 40 mm

D x 4



M6 x 42 mm

E x 8



M3 x 12 mm

F x 114



M3.5 x 12 mm

G x 20



M3.5 x 14 mm

H x 20



M4 x 10 mm

J x 8



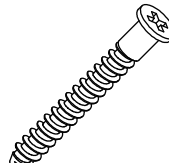
M4 x 18 mm

K x 4



M4 x 25 mm

L x 50



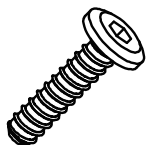
M5 x 40 mm

M x 32



M6 x 10 mm

N x 10



M6 x 25 mm

P x 1



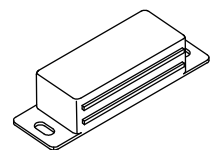
M6 x 35 mm

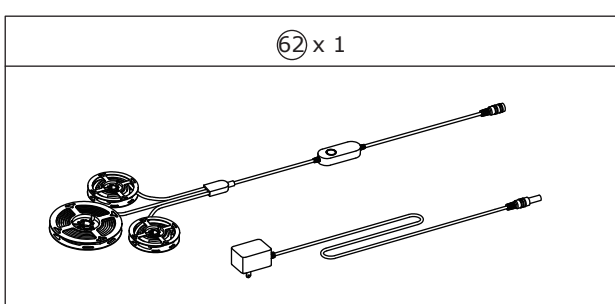
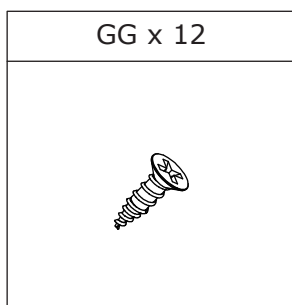
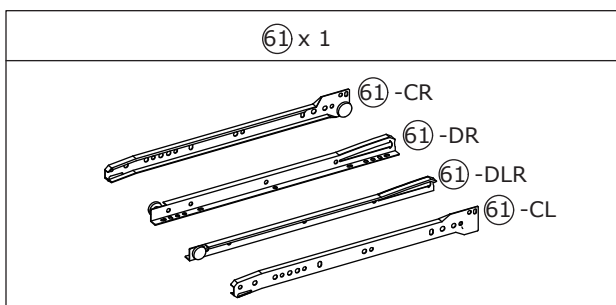
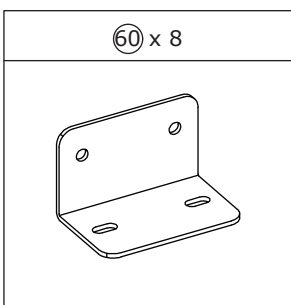
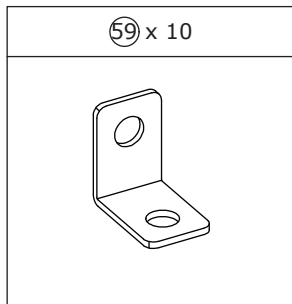
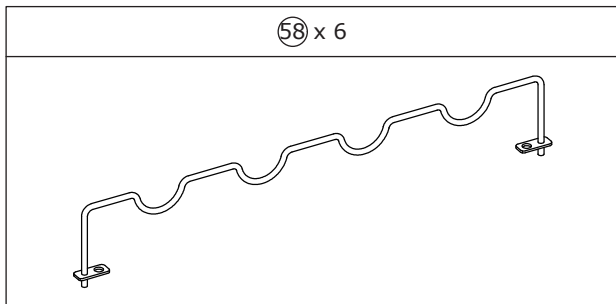
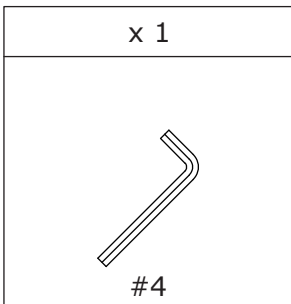
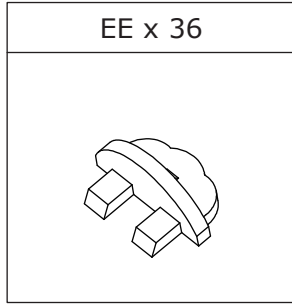
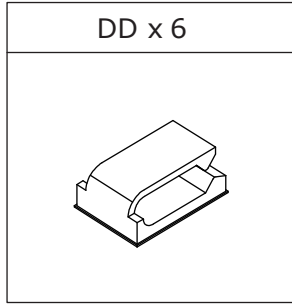
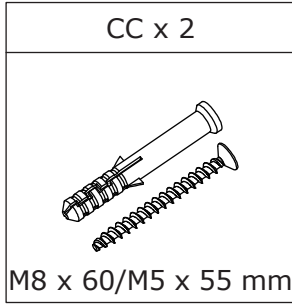
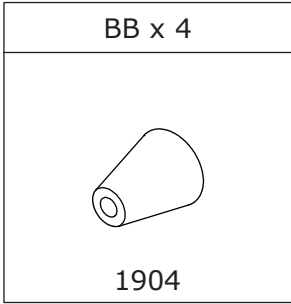
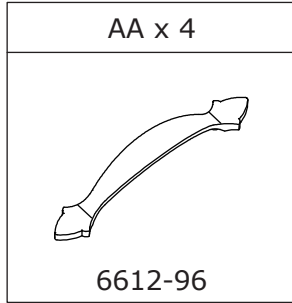
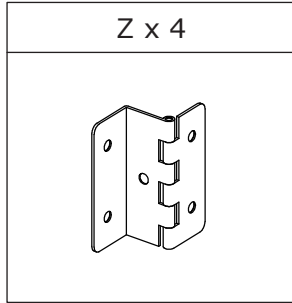
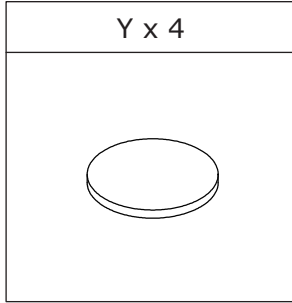
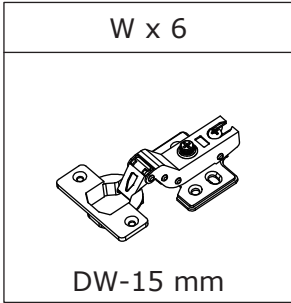
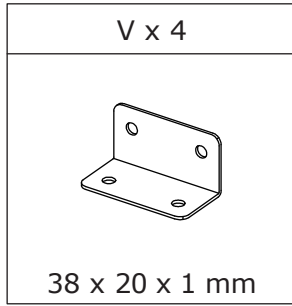
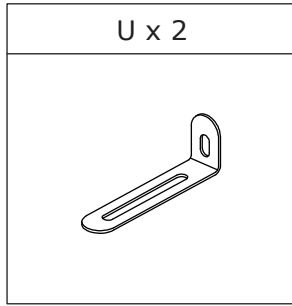
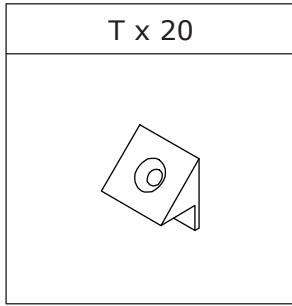
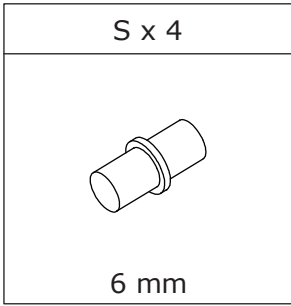
Q x 3

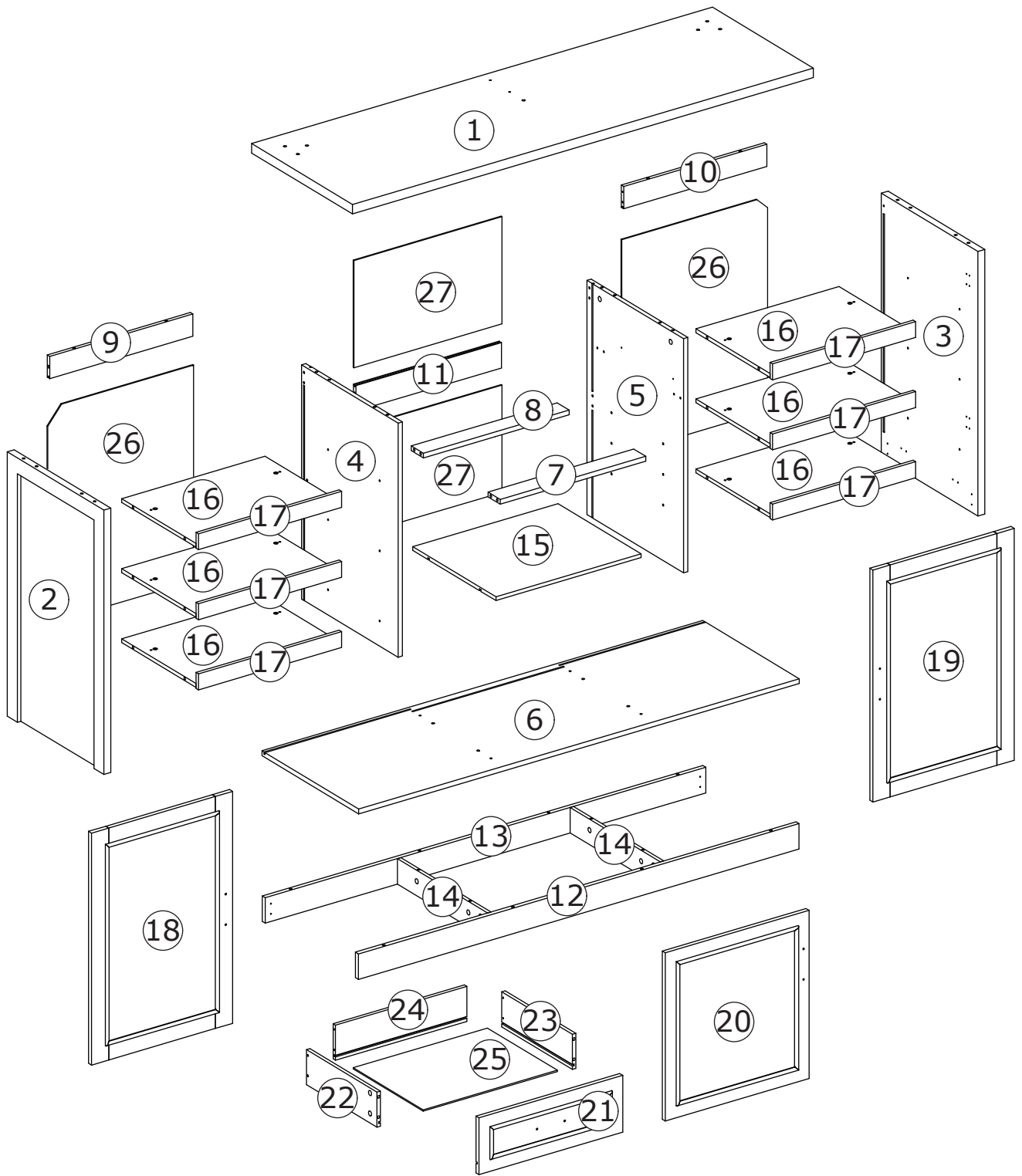


M5 mm

R x 4







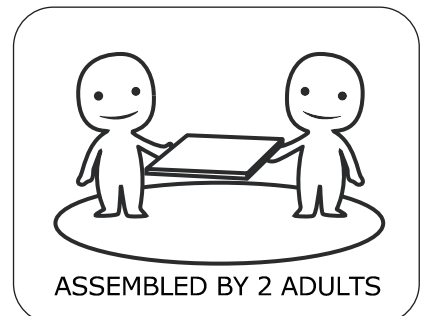
⚠ WARNING

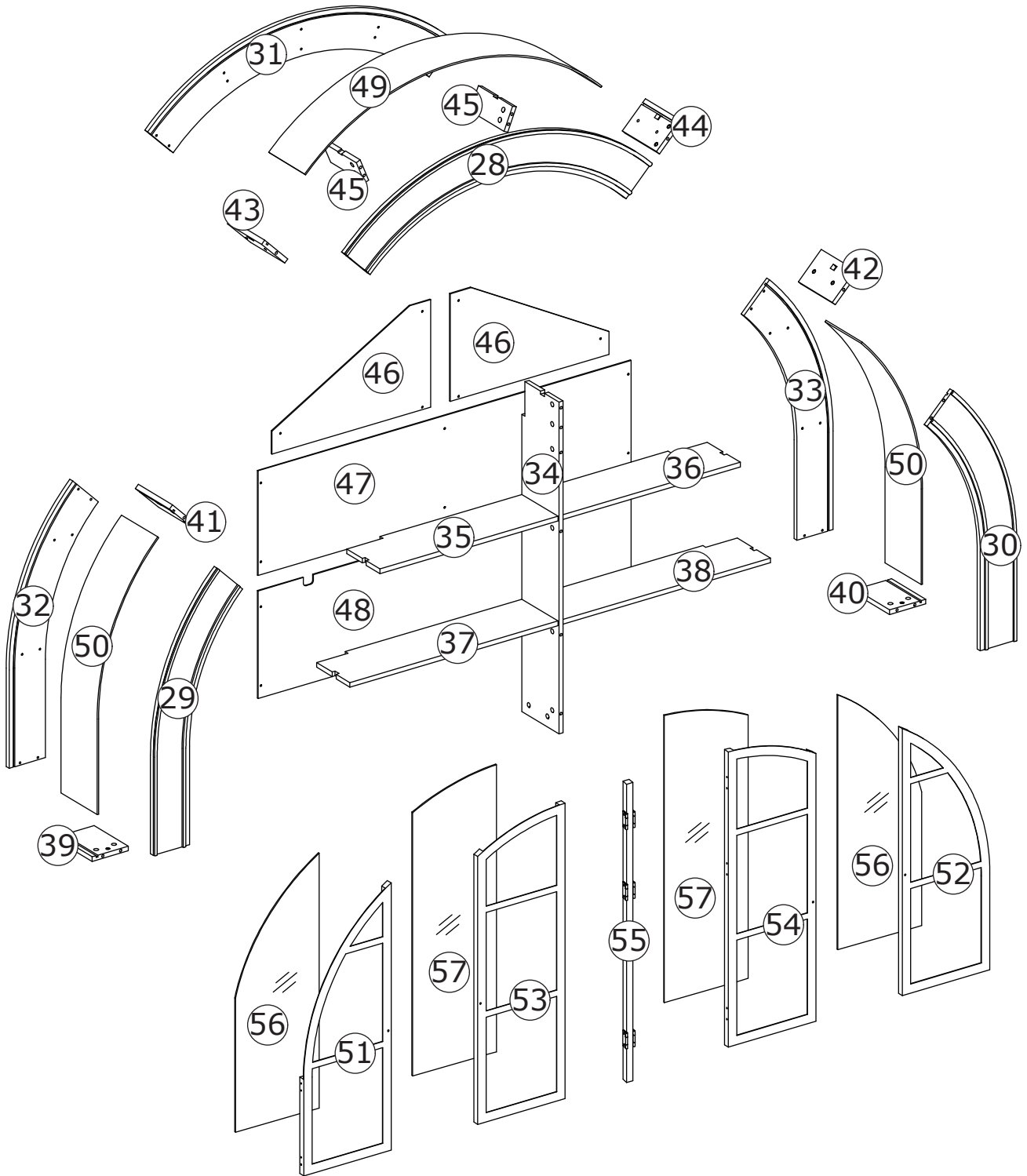


Children have died from furniture tipover. To reduce the risk of furniture tipover:

- ALWAYS install Anti-tip device provided.
- NEVER put a TV on this product.
- NEVER allow children to stand, climb or hang on drawers, doors, or shelves.
- NEVER open more than one drawer at a time.
- Place heaviest items in the lowest drawers.

*This is a permanent label.
Do not remove!*





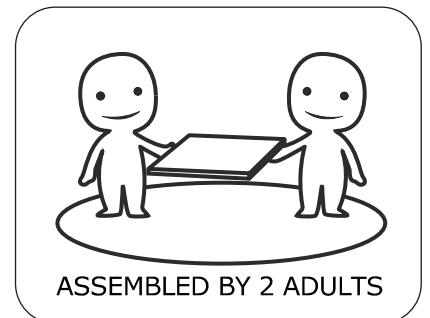
⚠ WARNING



Children have died from furniture tipover. To reduce the risk of furniture tipover:

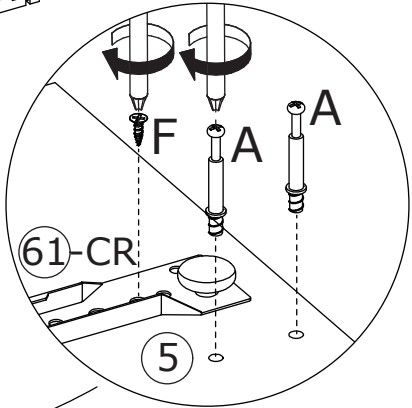
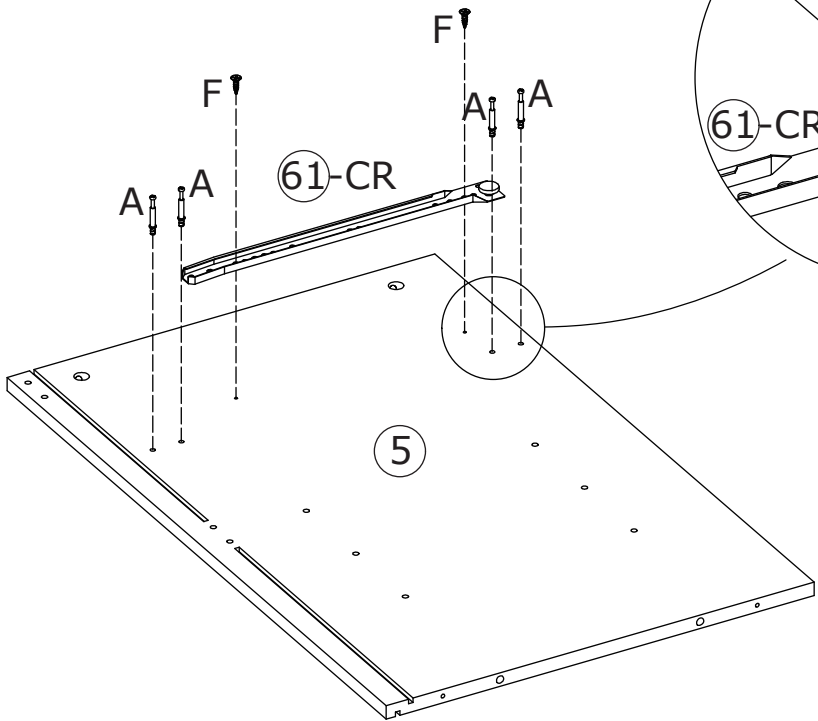
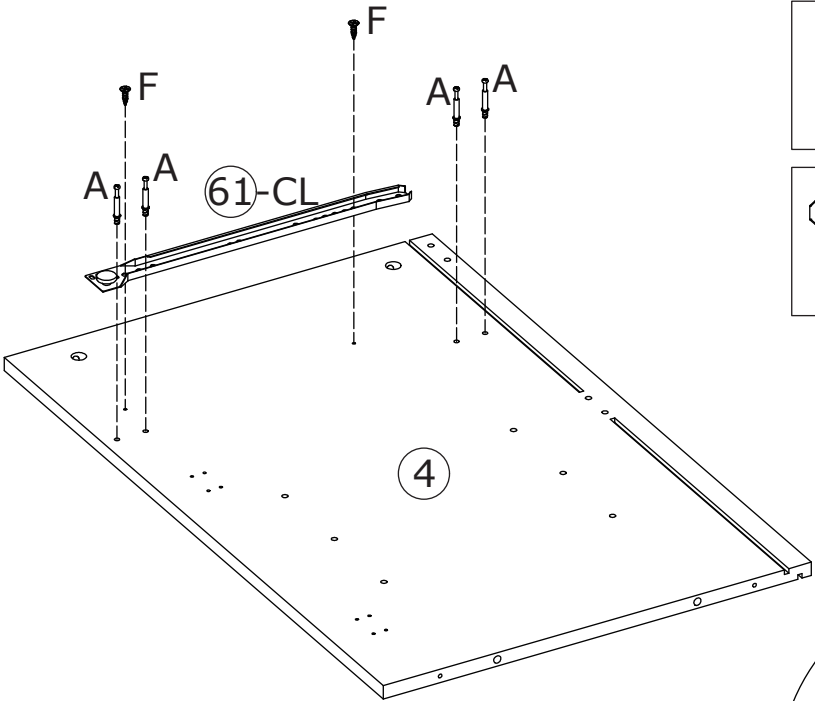
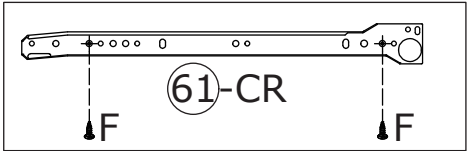
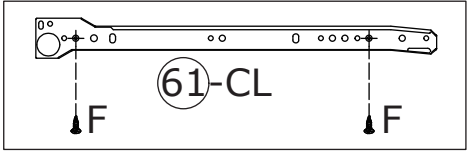
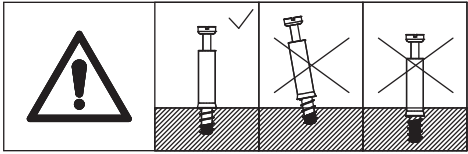
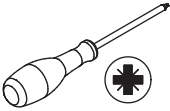
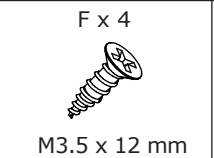
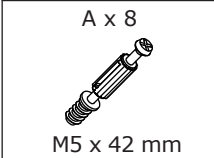
- ALWAYS install Anti-tip device provided.
- NEVER put a TV on this product.
- NEVER allow children to stand, climb or hang on drawers, doors, or shelves.
- NEVER open more than one drawer at a time.
- Place heaviest items in the lowest drawers.

*This is a permanent label.
Do not remove!*



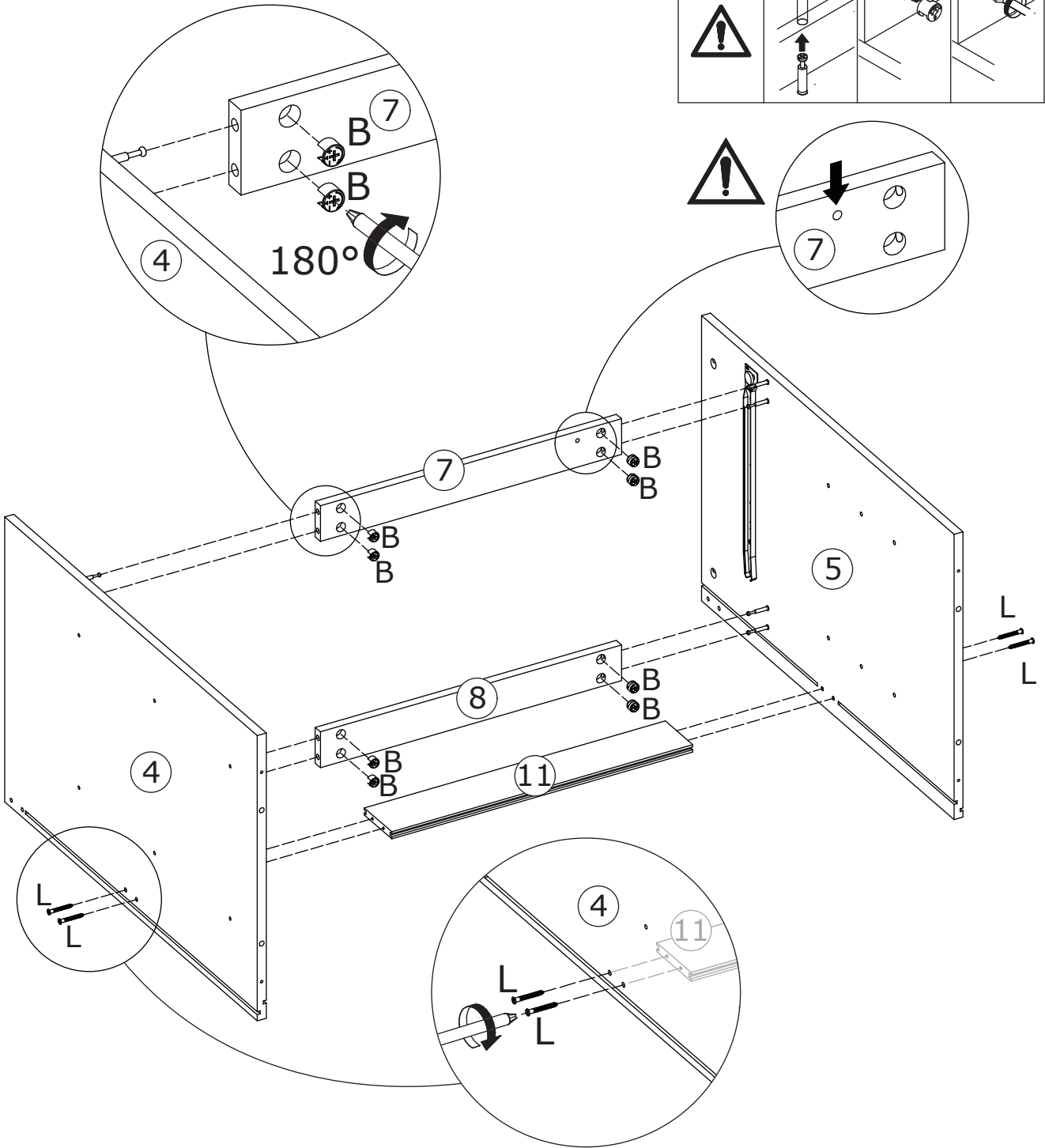
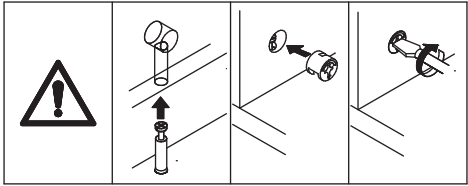
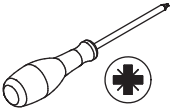
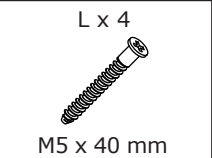
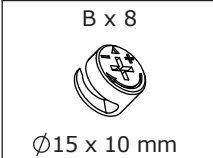
ASSEMBLED BY 2 ADULTS

1



Screw eccentric rods (A) onto plates 4 and 5.
Secure slide rail (61-CL) and (61-CR) to plates 4 and 5 using screws (F).

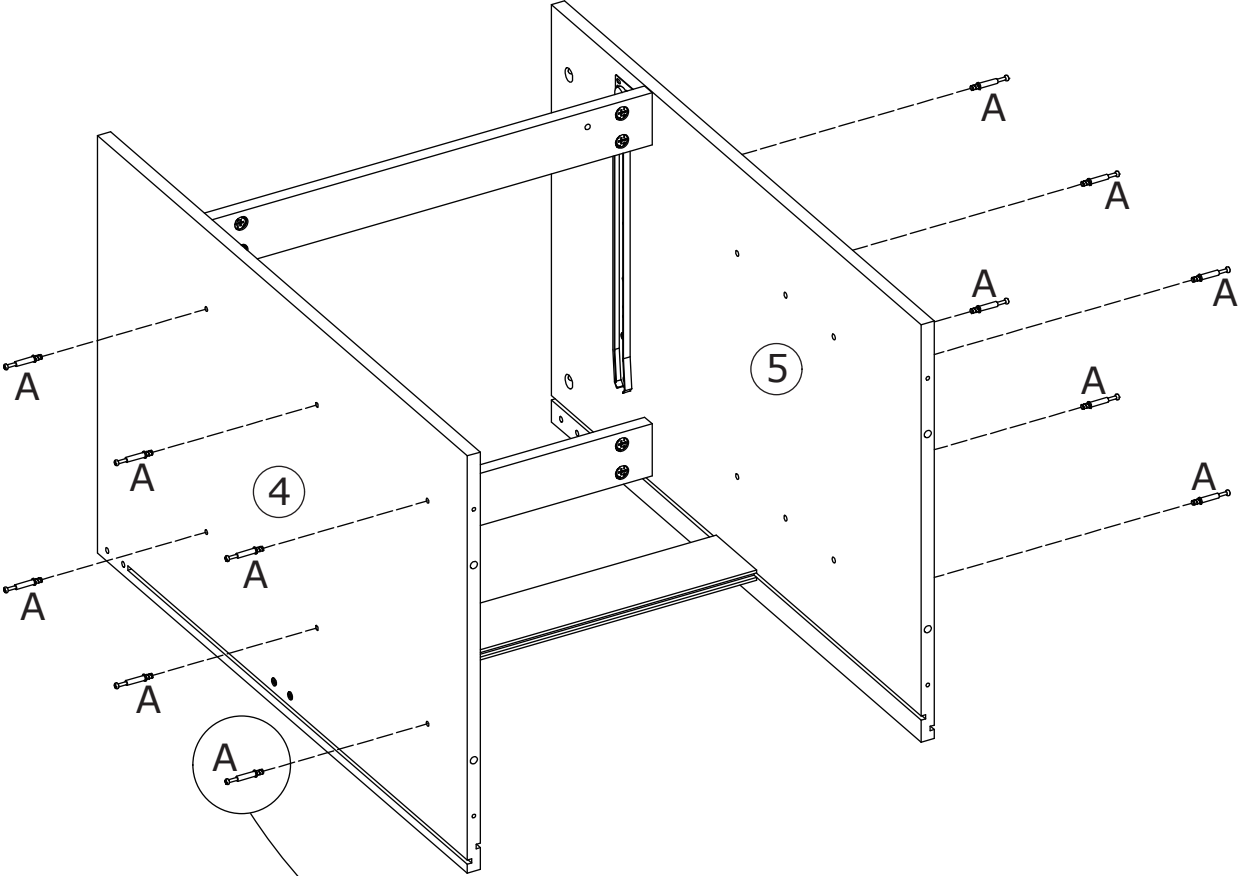
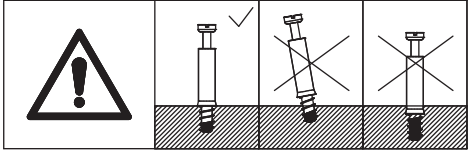
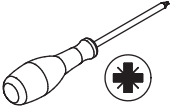
2



Connect plates 7 and 8 to plates 4 and 5, tighten by turning cam locks (B) clockwise.
Secure plate 11 to plates 4 and 5 using screws (L).

3

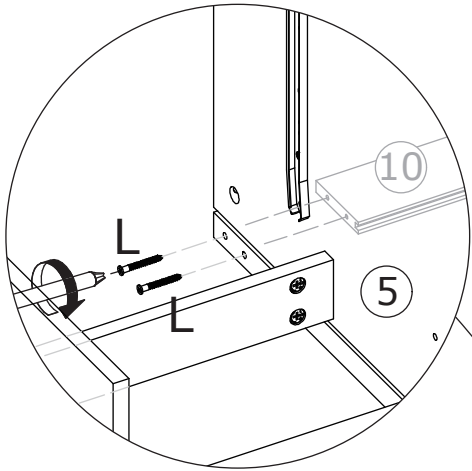
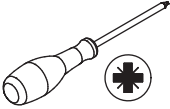
A x 12
M5 x 42 mm



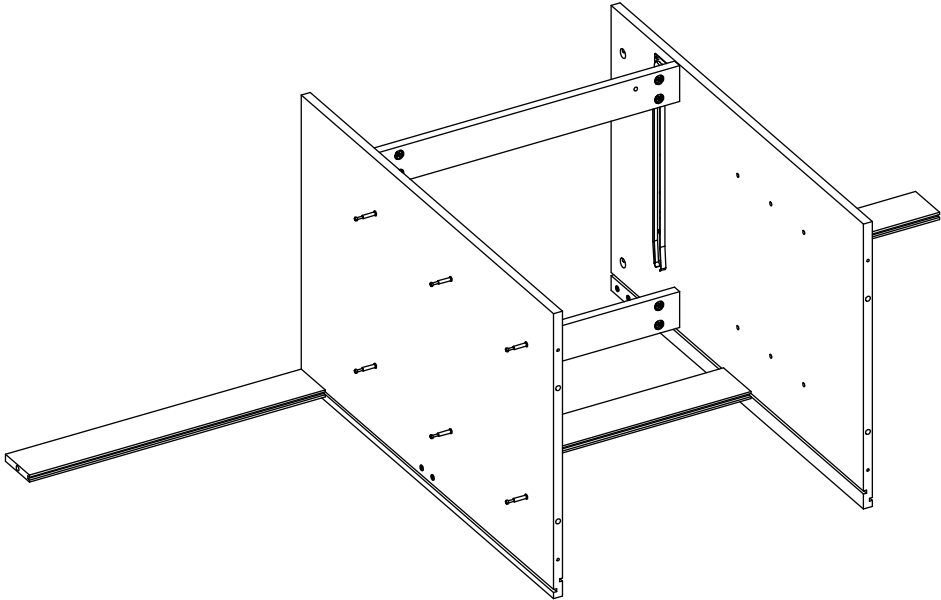
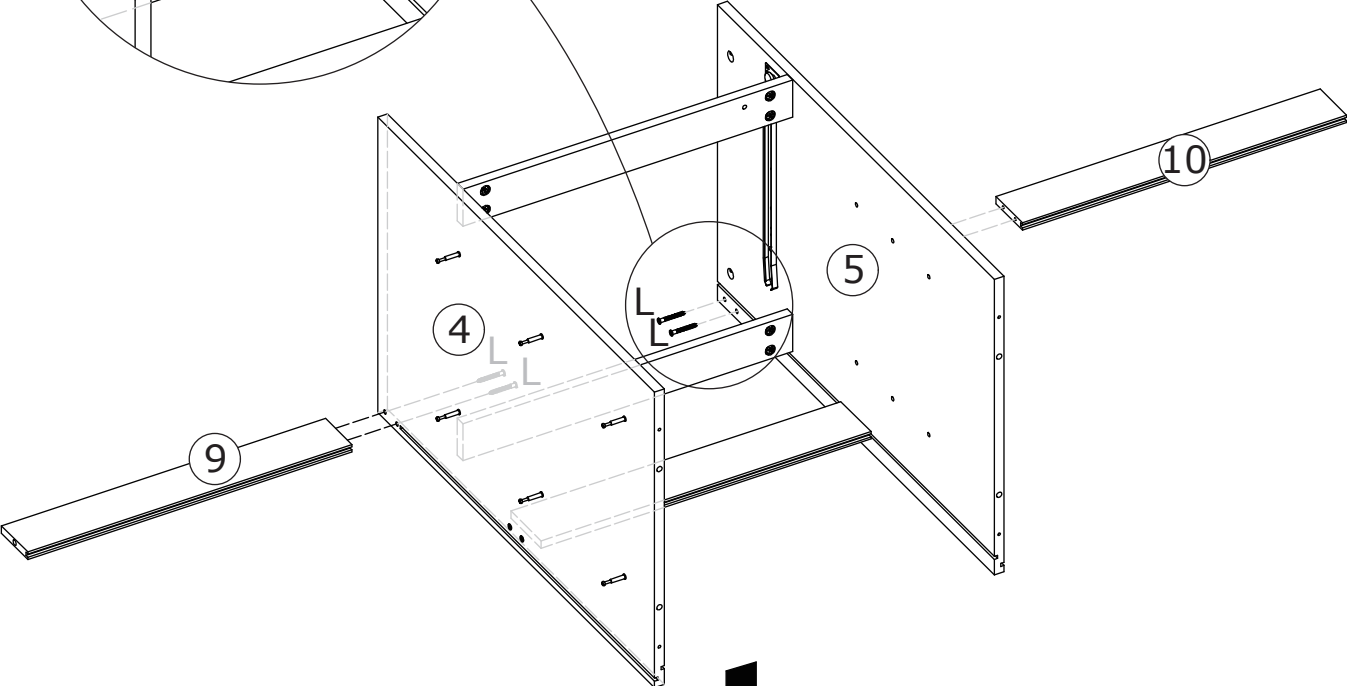
Screw eccentric rod (A) onto plates 4 and 5.

4

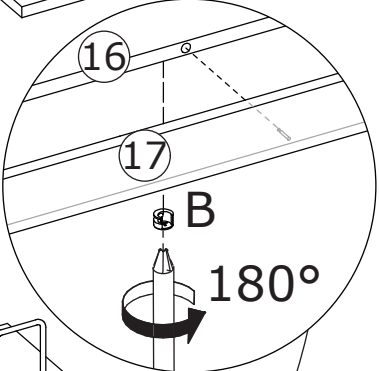
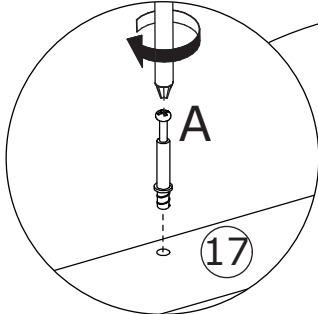
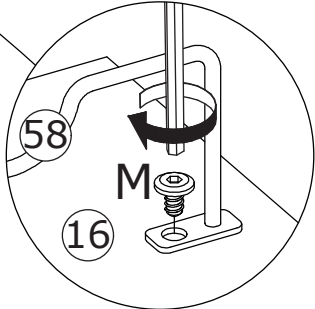
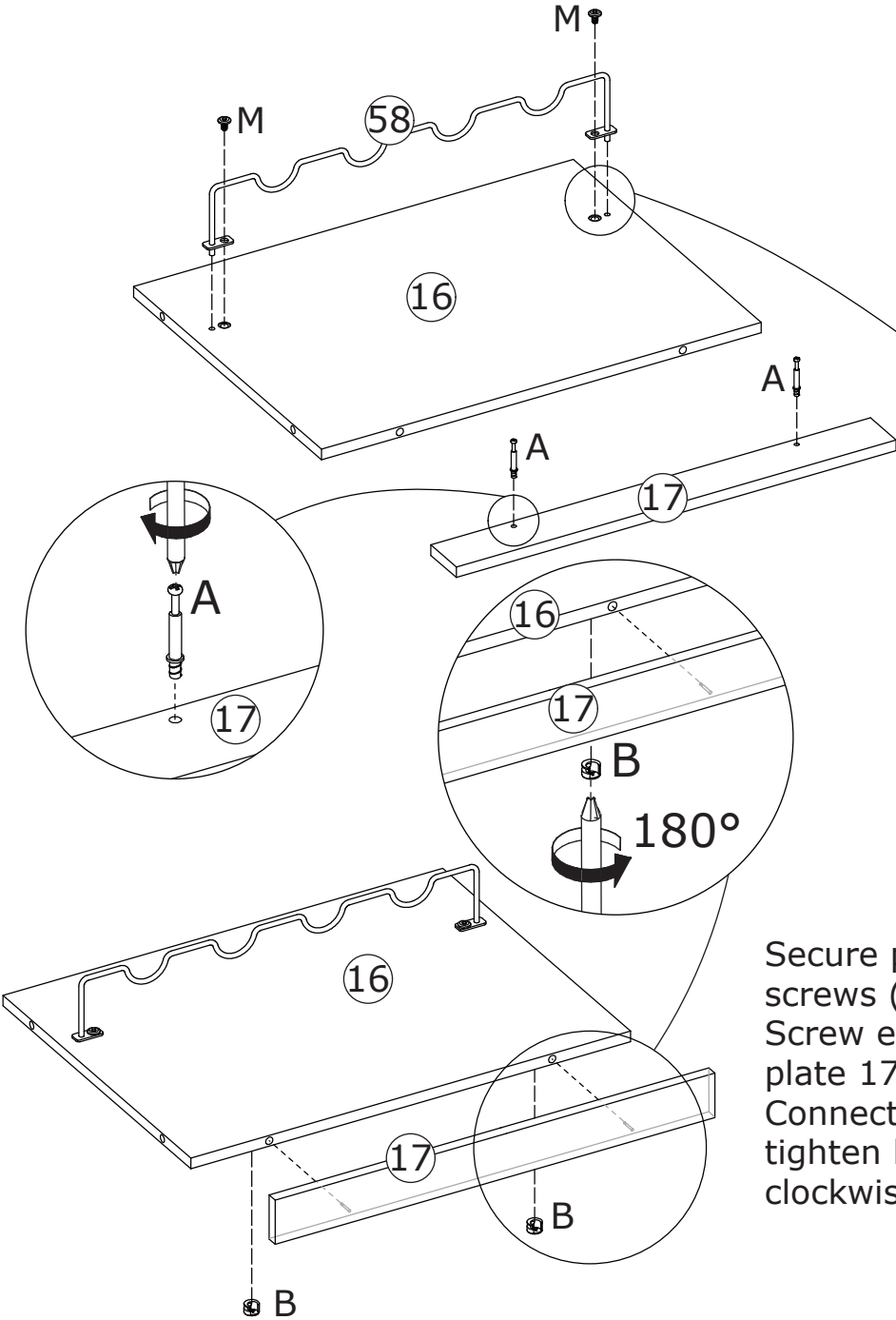
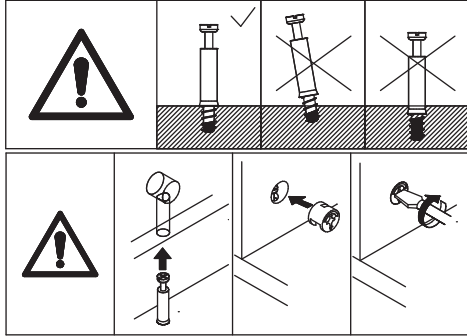
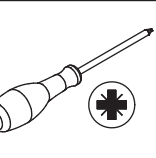
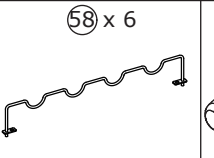
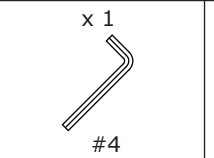
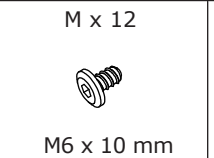
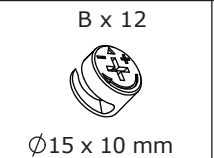
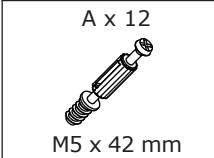
L x 4
M5 x 40 mm



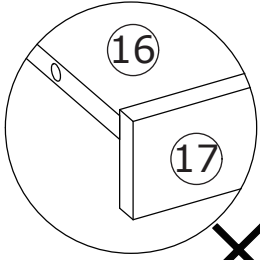
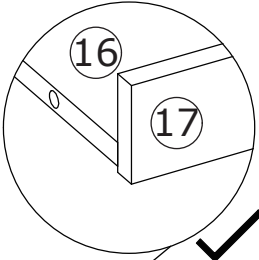
Secure plates 9 and 10 to plates 4 and 5 respectively using screws (L).



5



Secure part 58 to plate 16 using screws (M).
Screw eccentric rod (A) onto plate 17.
Connect plate 16 to plate 17, tighten by turning cam locks (B) clockwise.

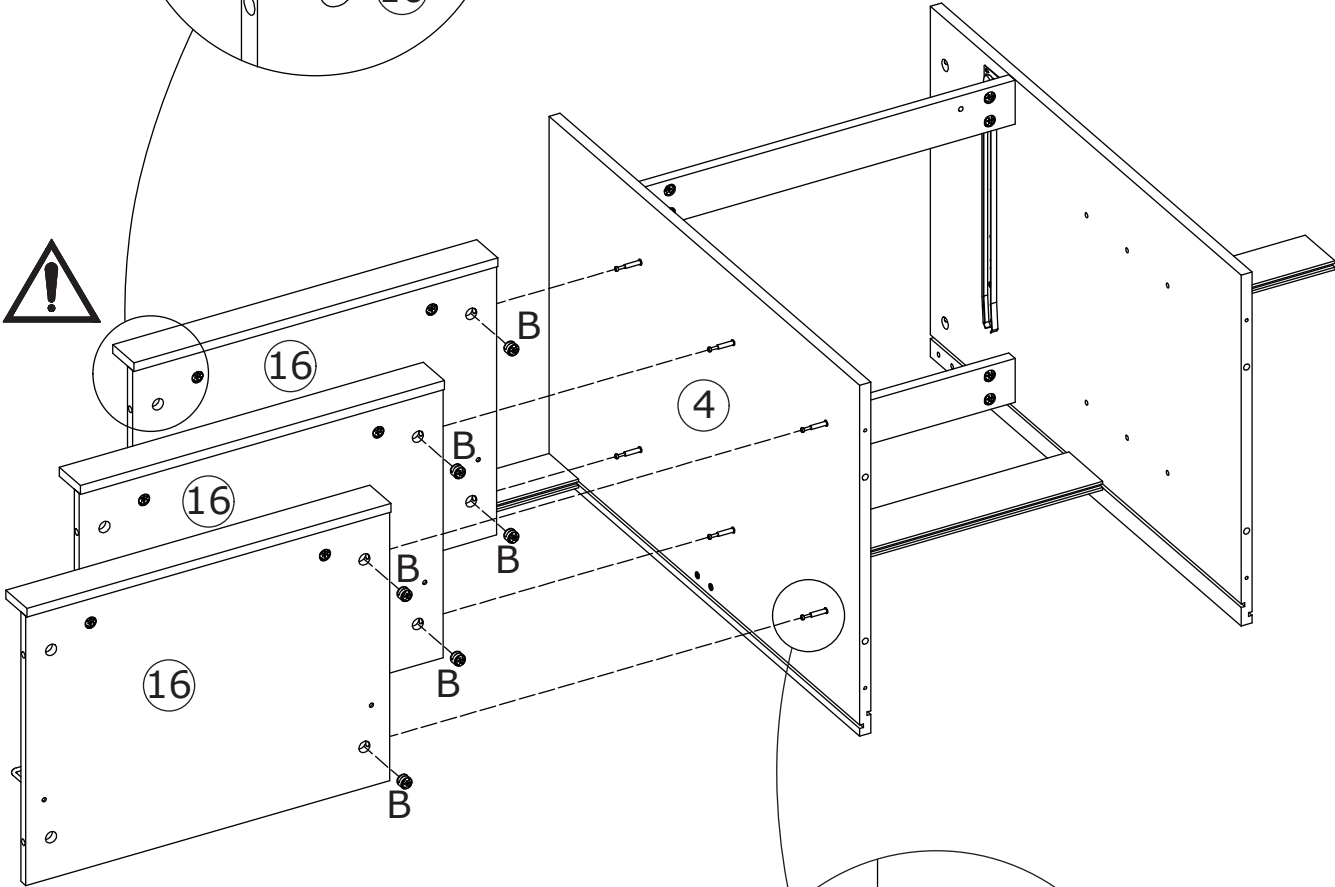
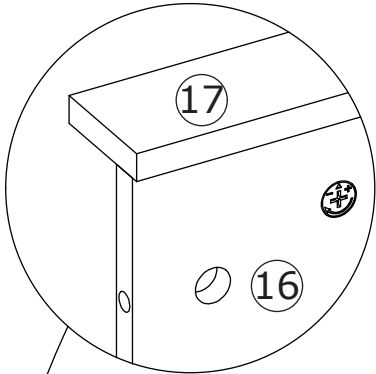
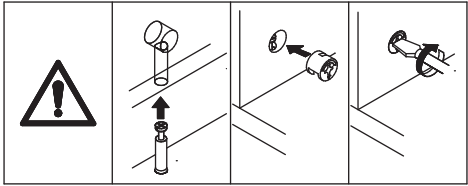
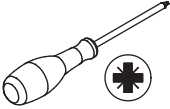


x6

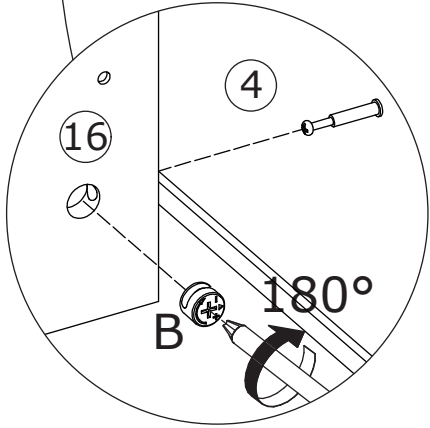


6

B x 6
Ø15 x 10 mm

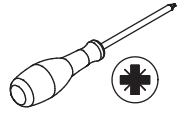


Connect plate 16 to plate 4, tighten by turning cam locks (B) clockwise.

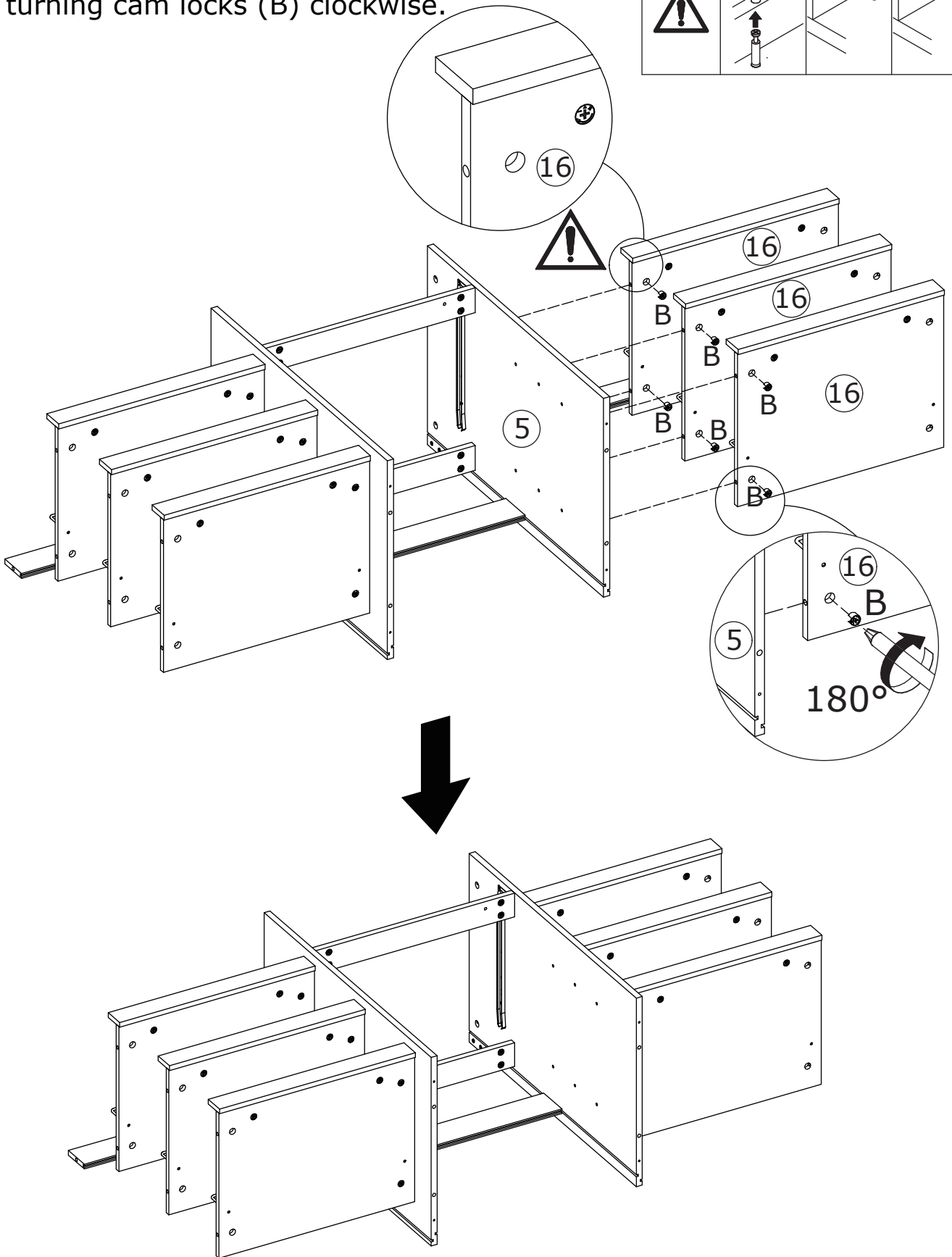
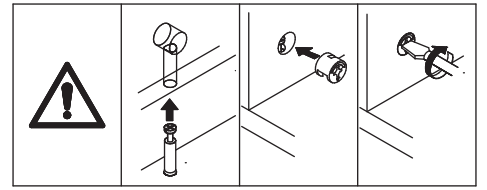


7

B x 6
Ø15 x 10 mm

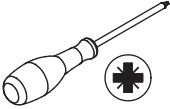


Connect plate 16 to plate 5, tighten by turning cam locks (B) clockwise.

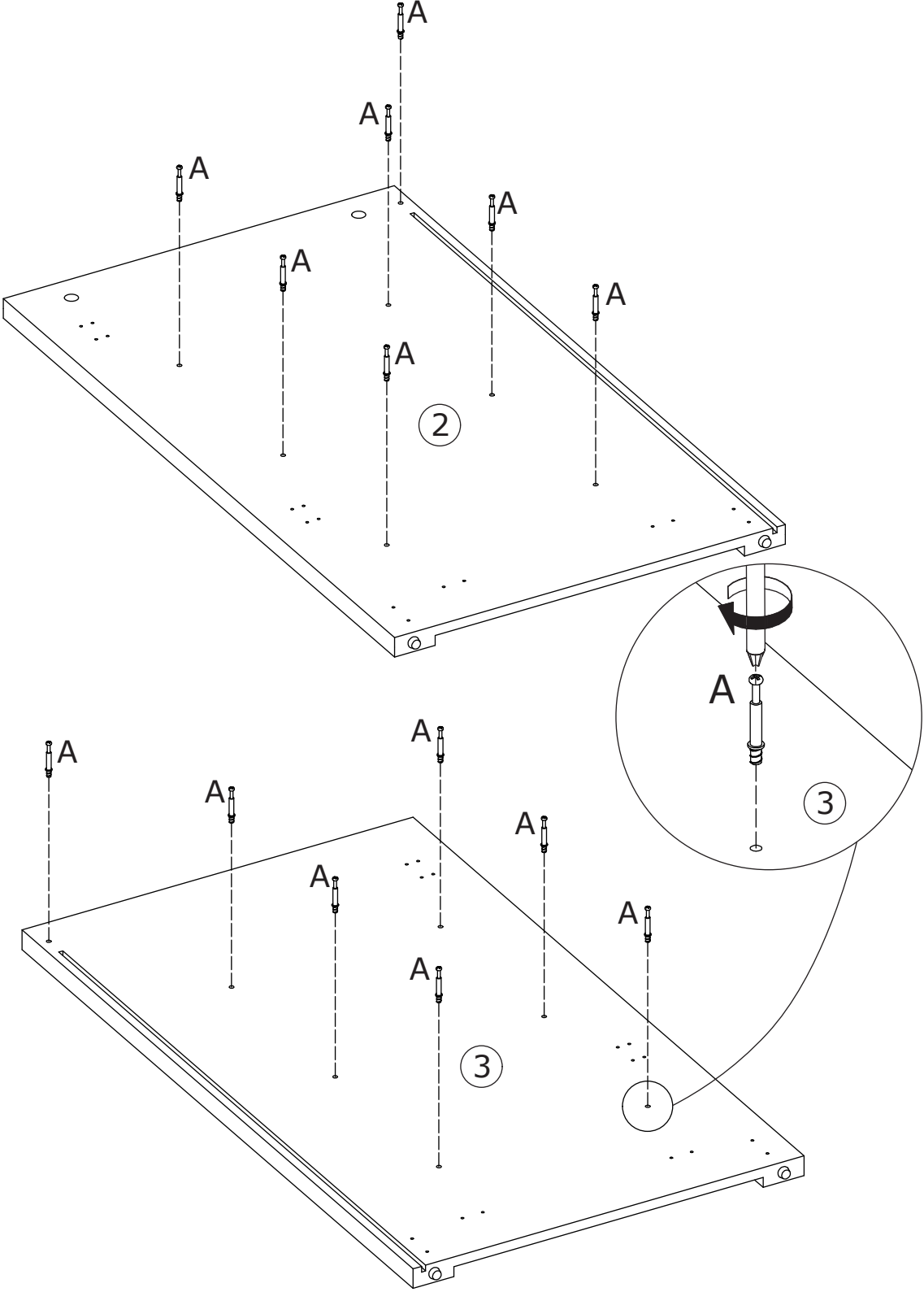
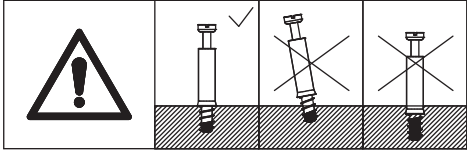


8

A x 14
M5 x 42 mm

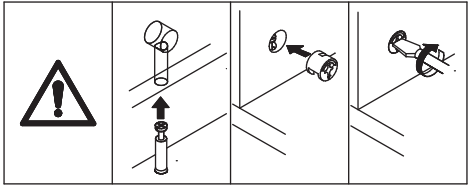
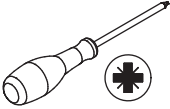


Screw eccentric rod (A) onto plates 2 and 3.

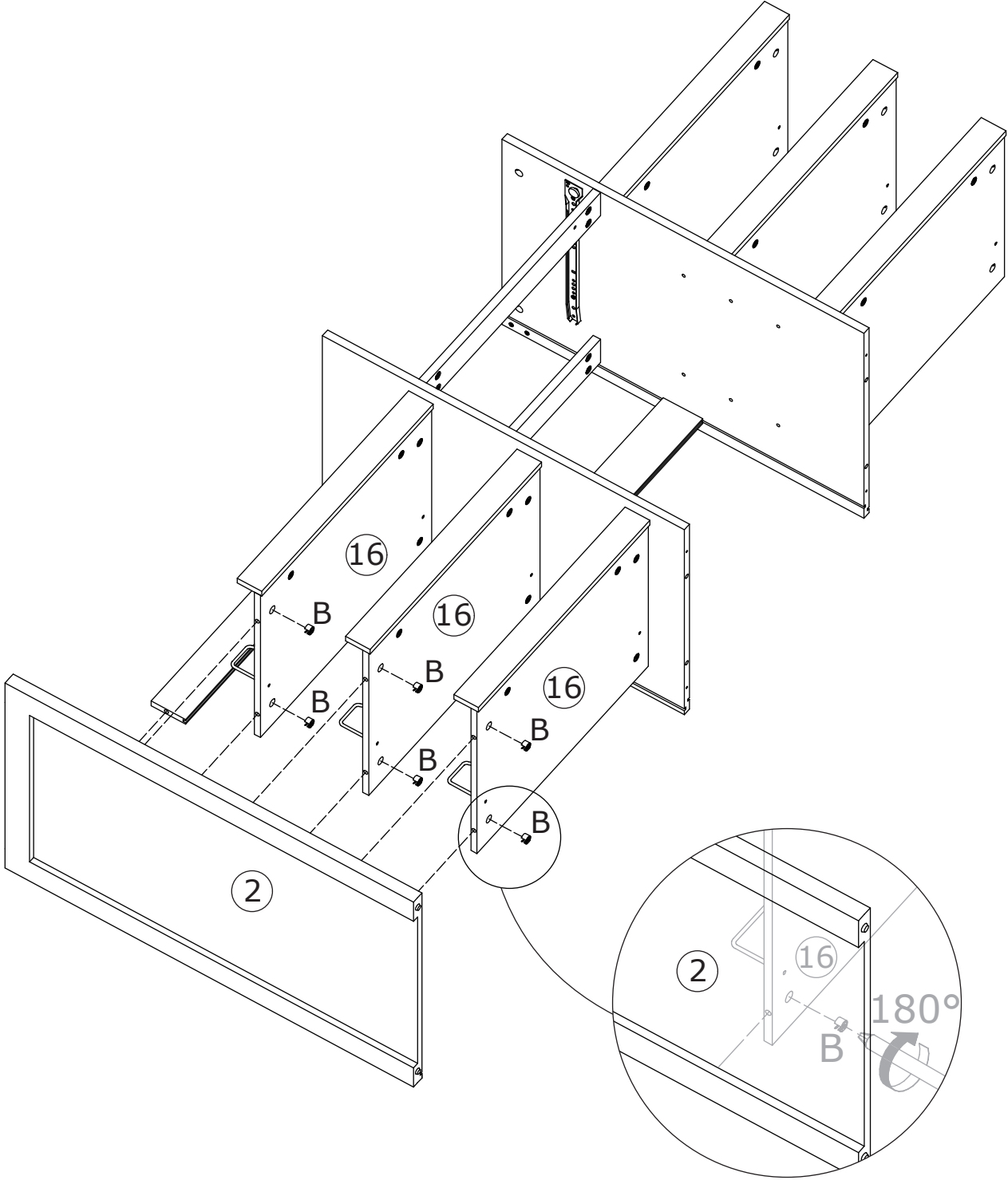


9

B x 6
Ø15 x 10 mm

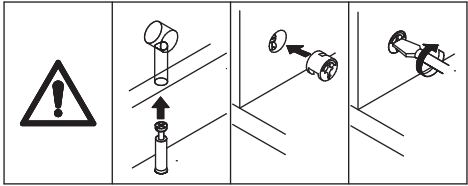
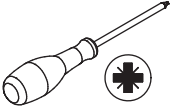


Connect plate 2 to plate 9 and 16, tighten by turning cam locks (B) clockwise.

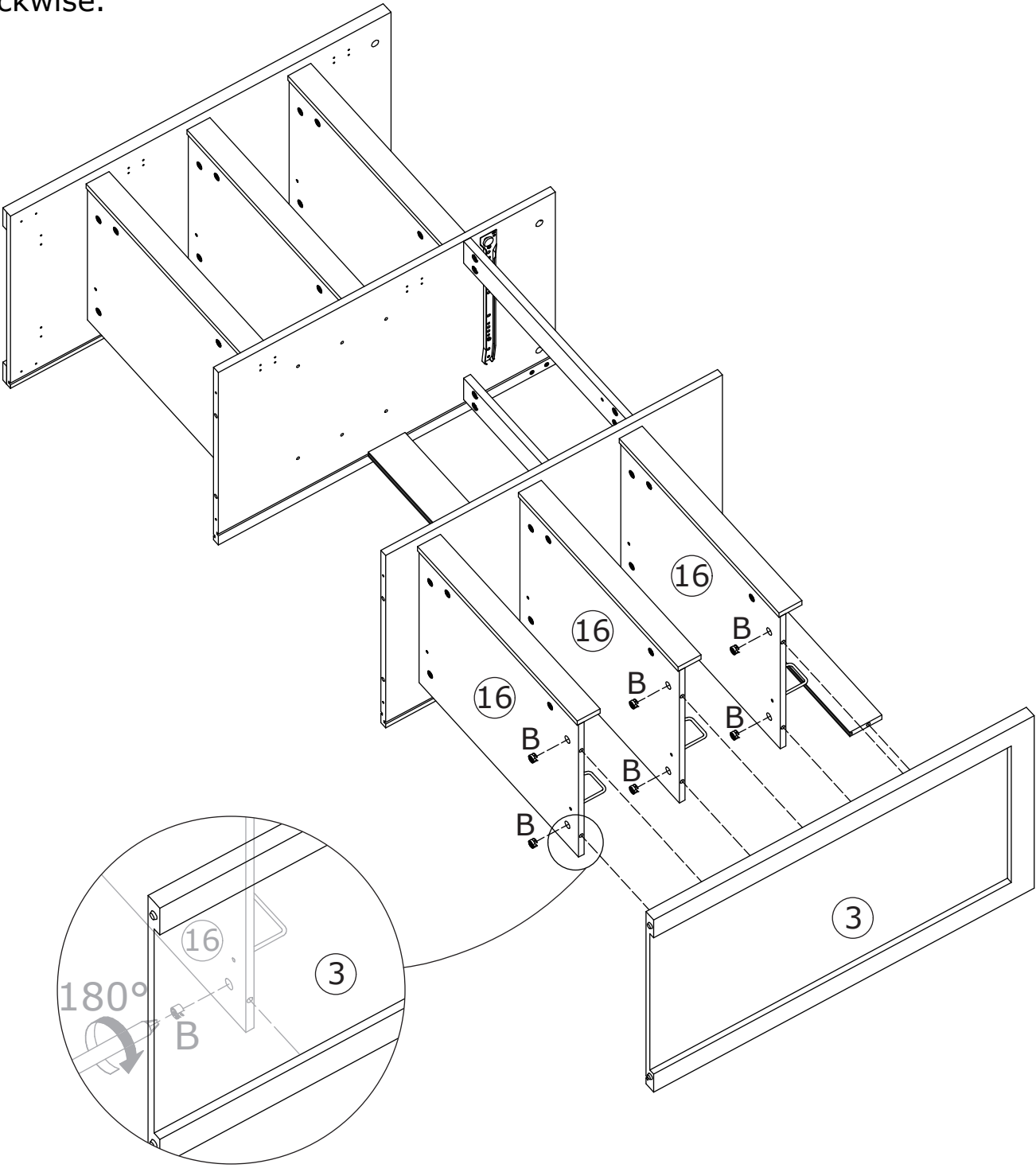


10

B x 6
Ø15 x 10 mm

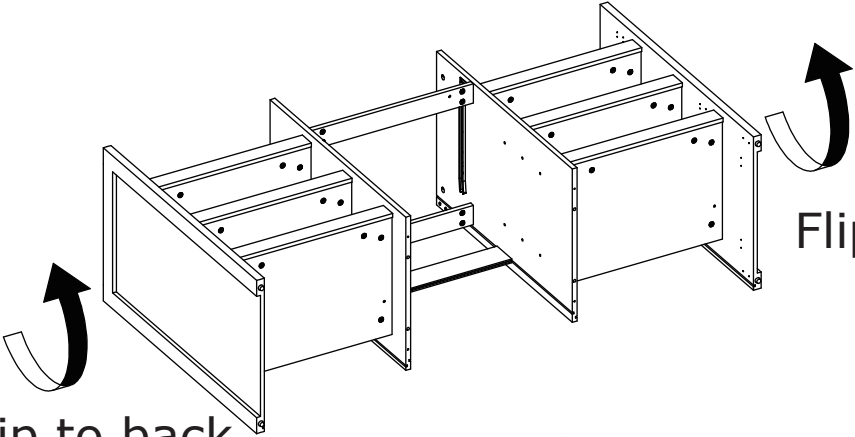
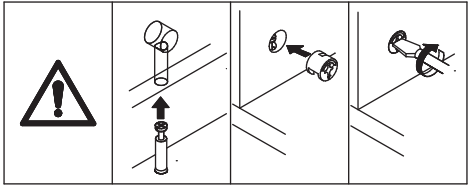
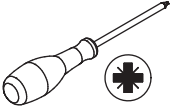


Connect plate 2 to plate 16 and 10, tighten by turning cam locks (B) clockwise.



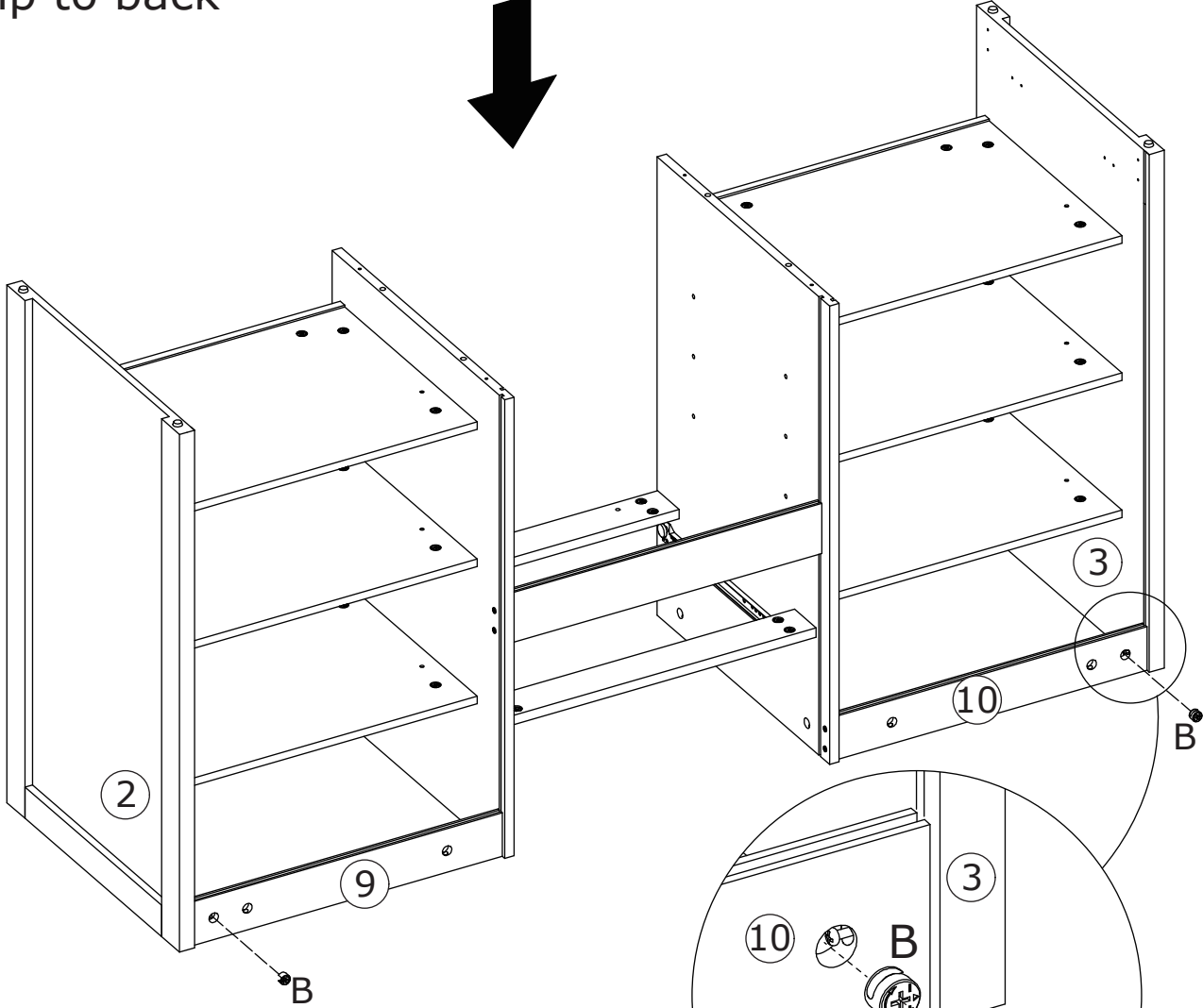
11

B x 2
Ø15 x 10 mm



Flip to back

Flip to back

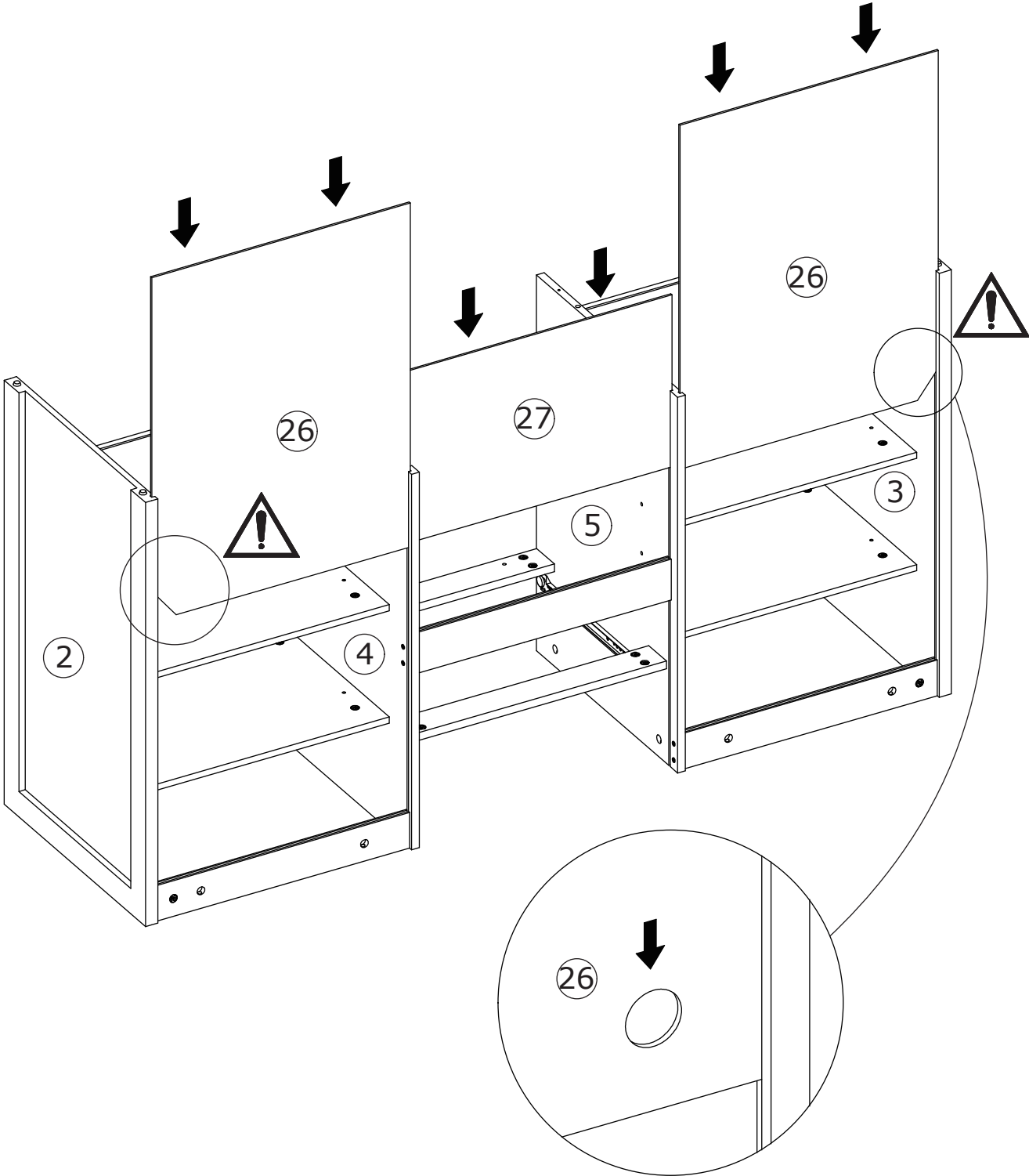


Install cam locks (B) to plates 9 and 10 and tighten them clockwise.

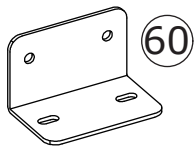
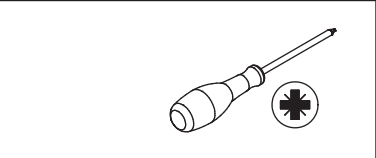
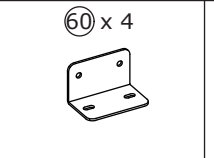
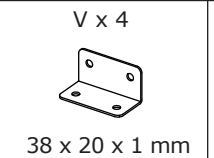
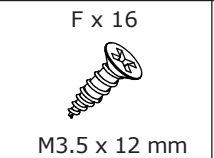
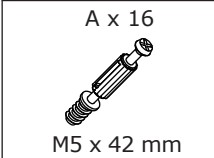
12



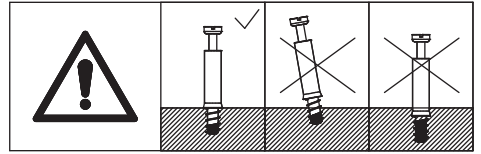
Insert plates 26 and 27 into the available slots.



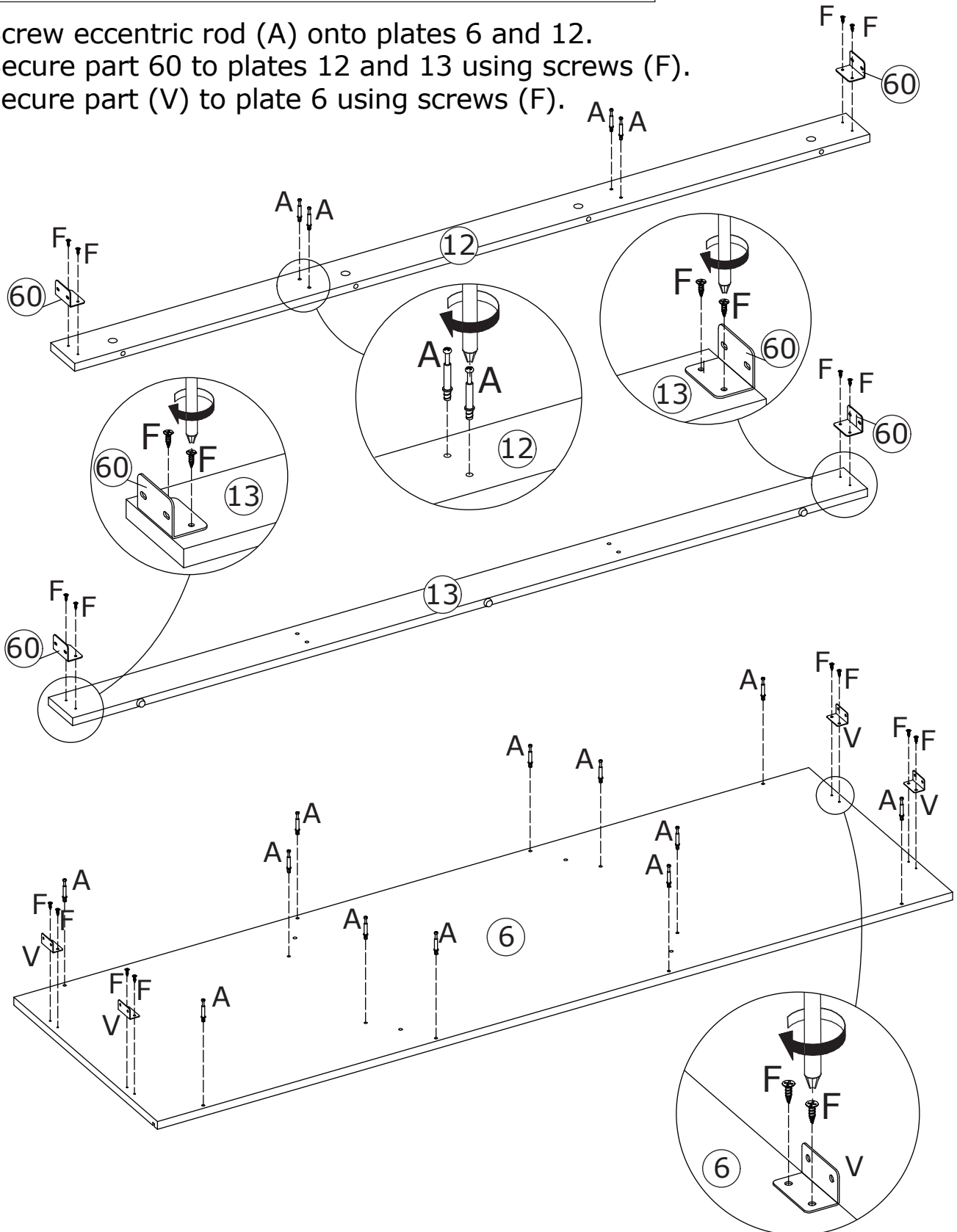
13



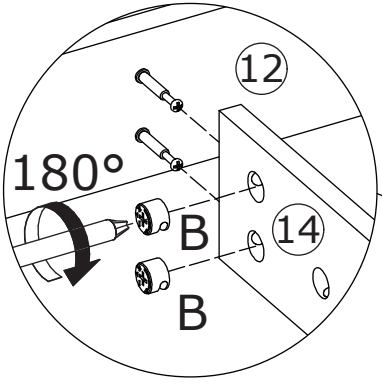
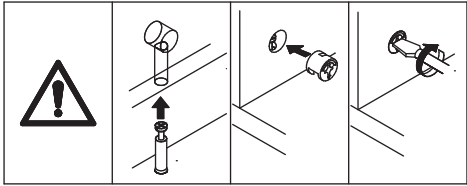
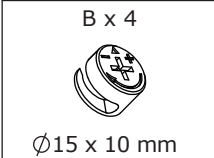
Please note that the hole shape of part 60 is different. Please assemble strictly according to the manual.



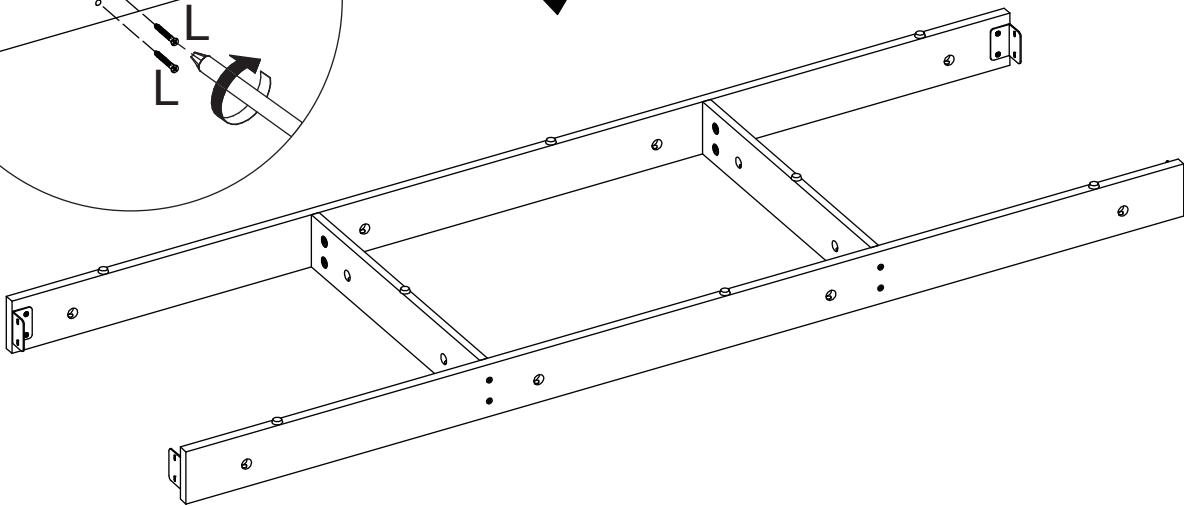
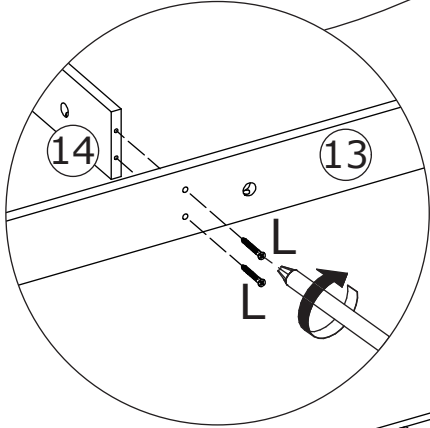
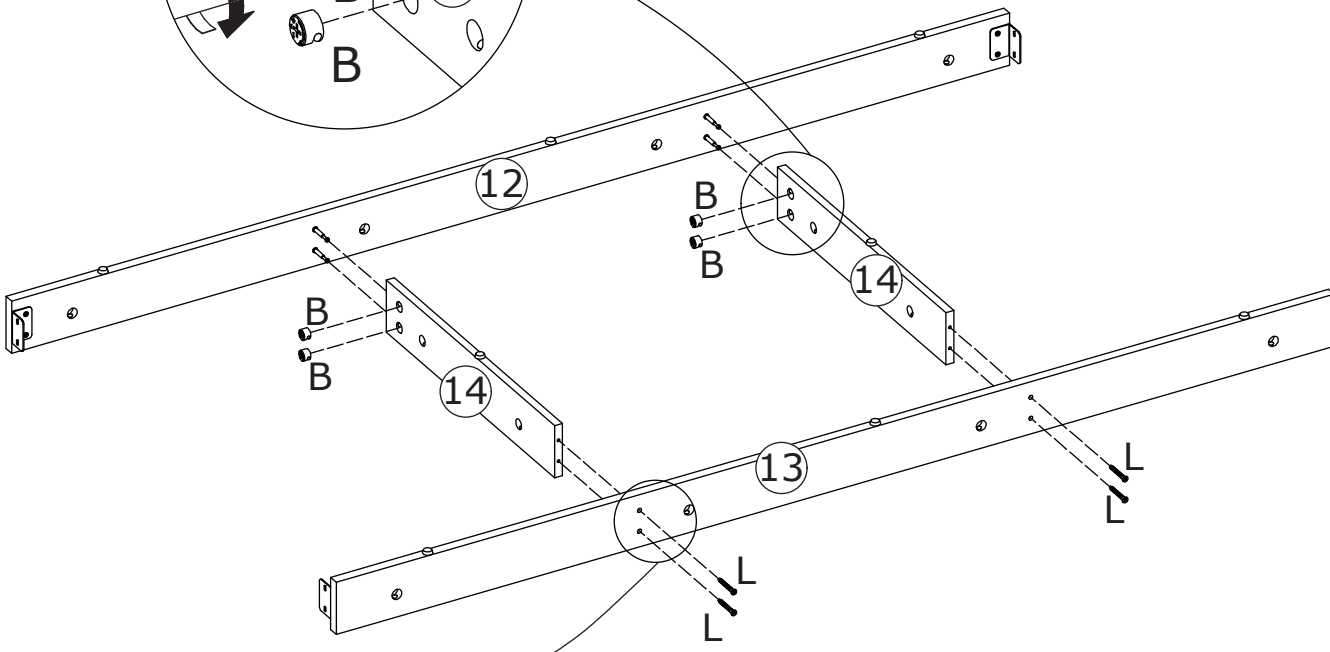
Screw eccentric rod (A) onto plates 6 and 12.
Secure part 60 to plates 12 and 13 using screws (F).
Secure part (V) to plate 6 using screws (F).



14



Connect plate 14 to plate 12, tighten by turning cam locks (B) clockwise. Secure plate 13 to plate 14 using screw (L).

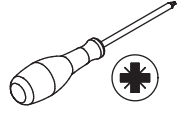


15

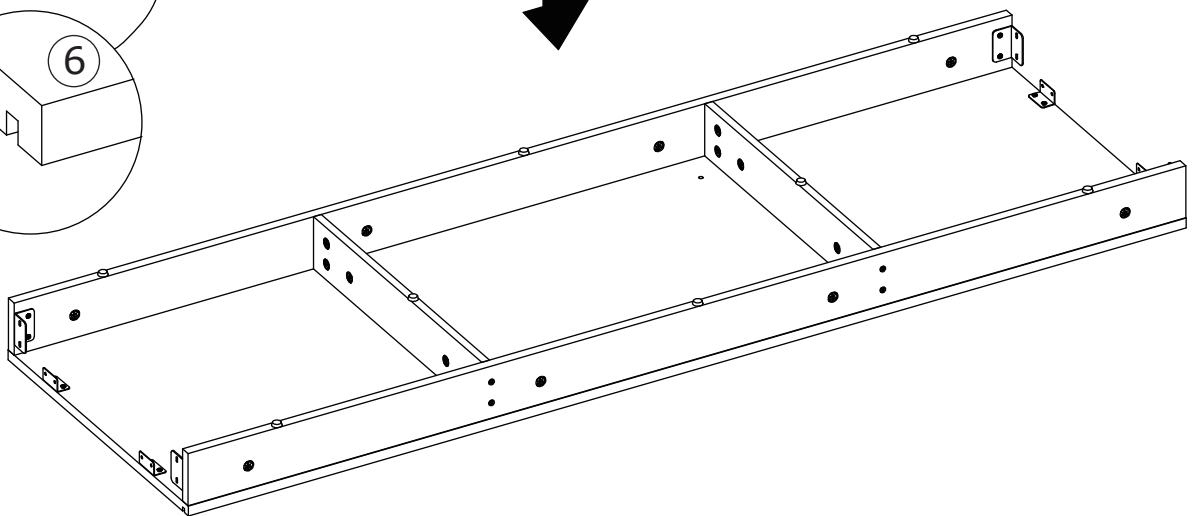
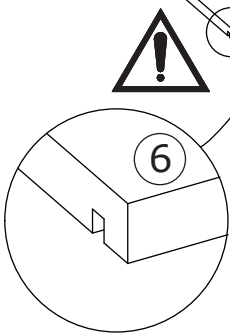
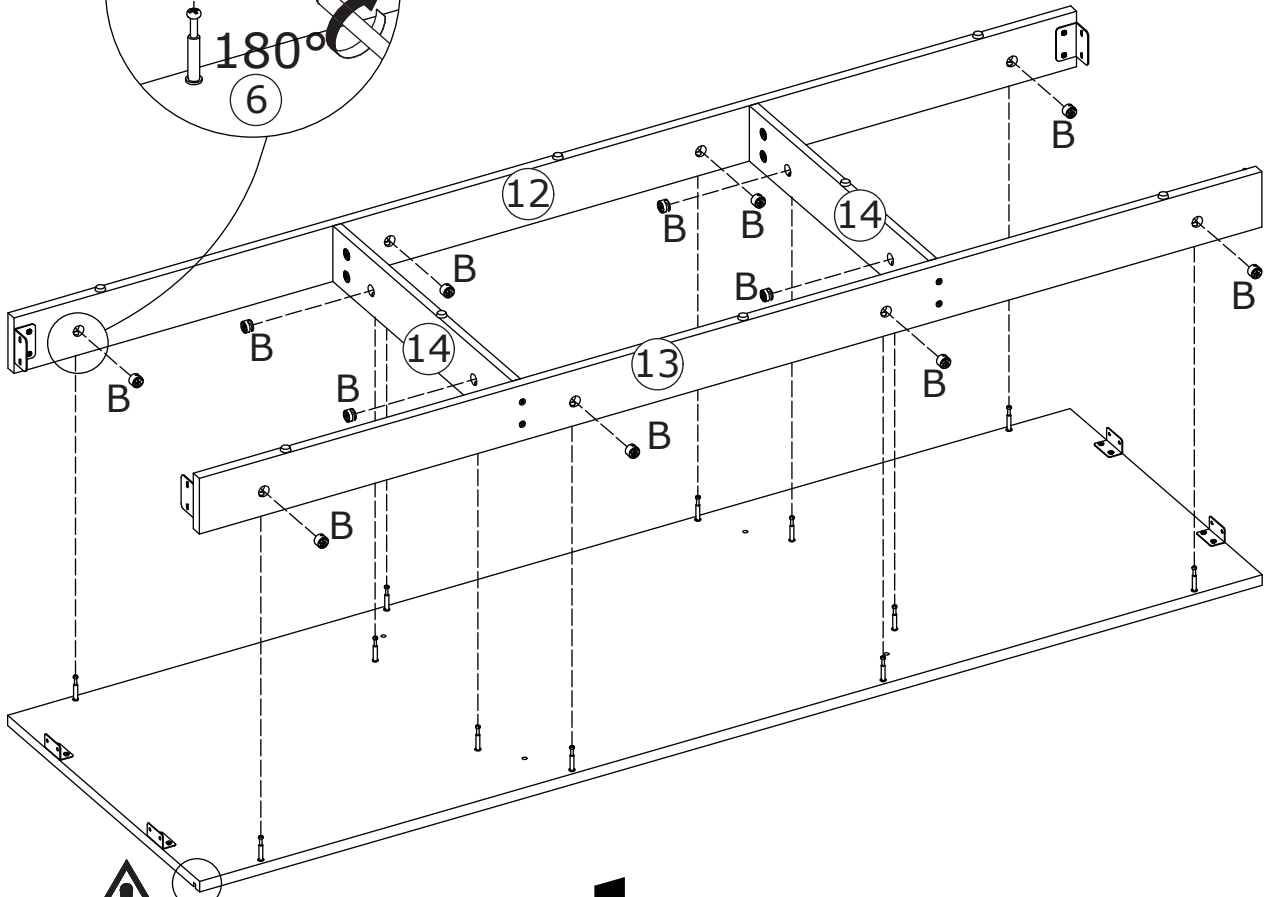
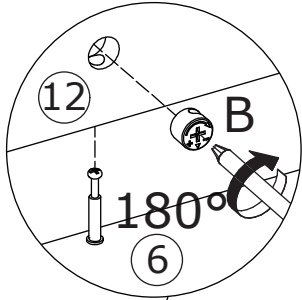
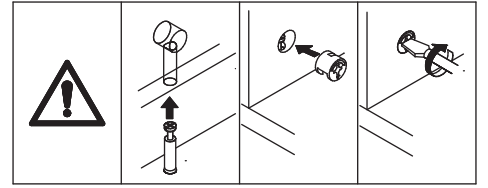
B x 12



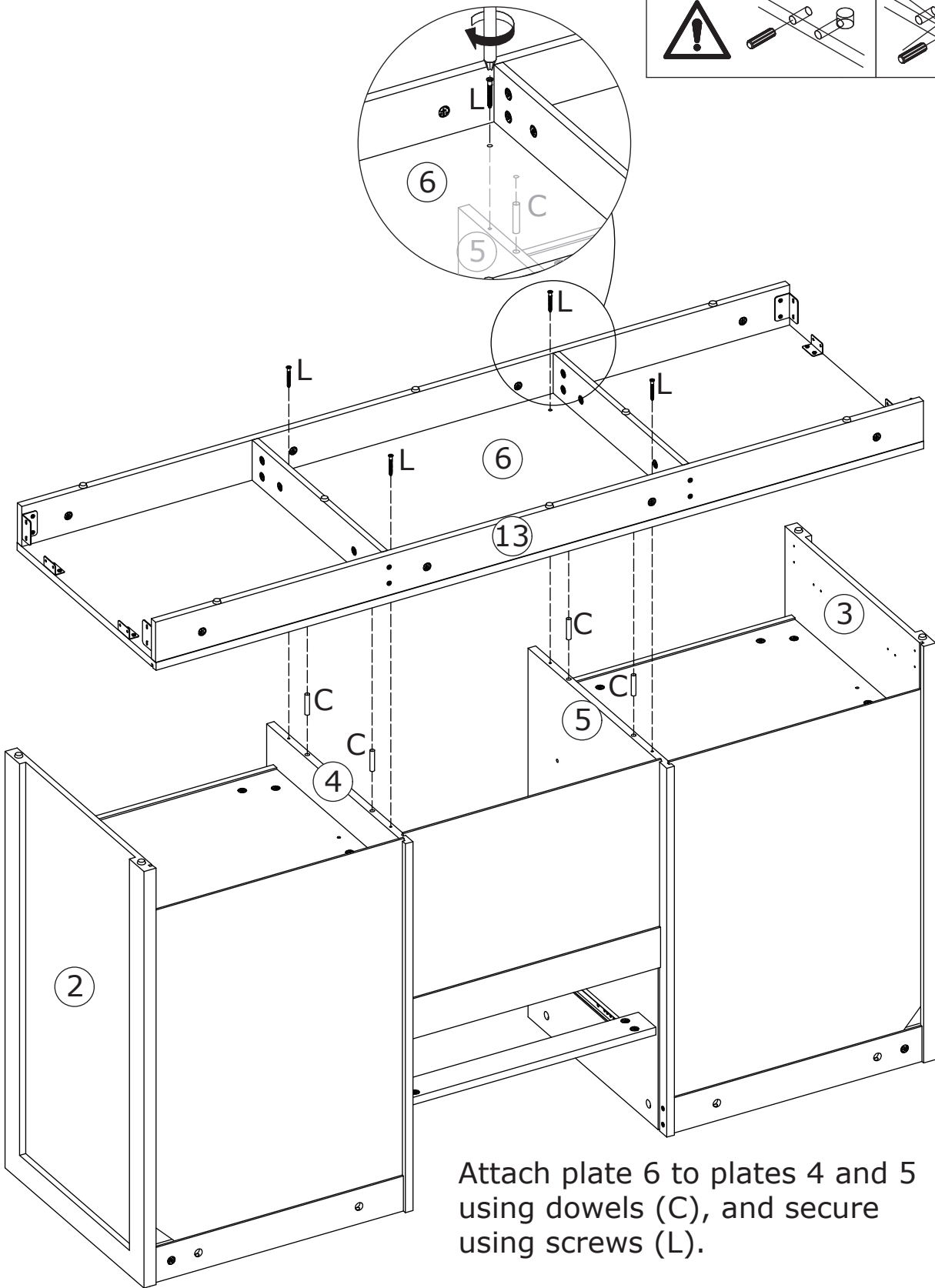
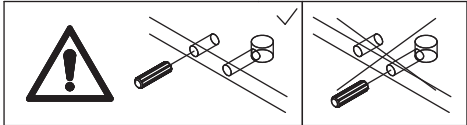
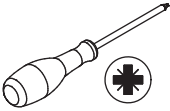
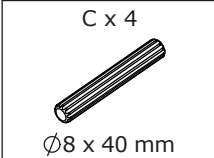
Ø15 x 10 mm



Connect plates 12, 13, and 14 to plate 6, tighten by turning cam locks (B) clockwise.



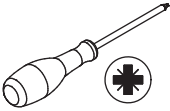
16



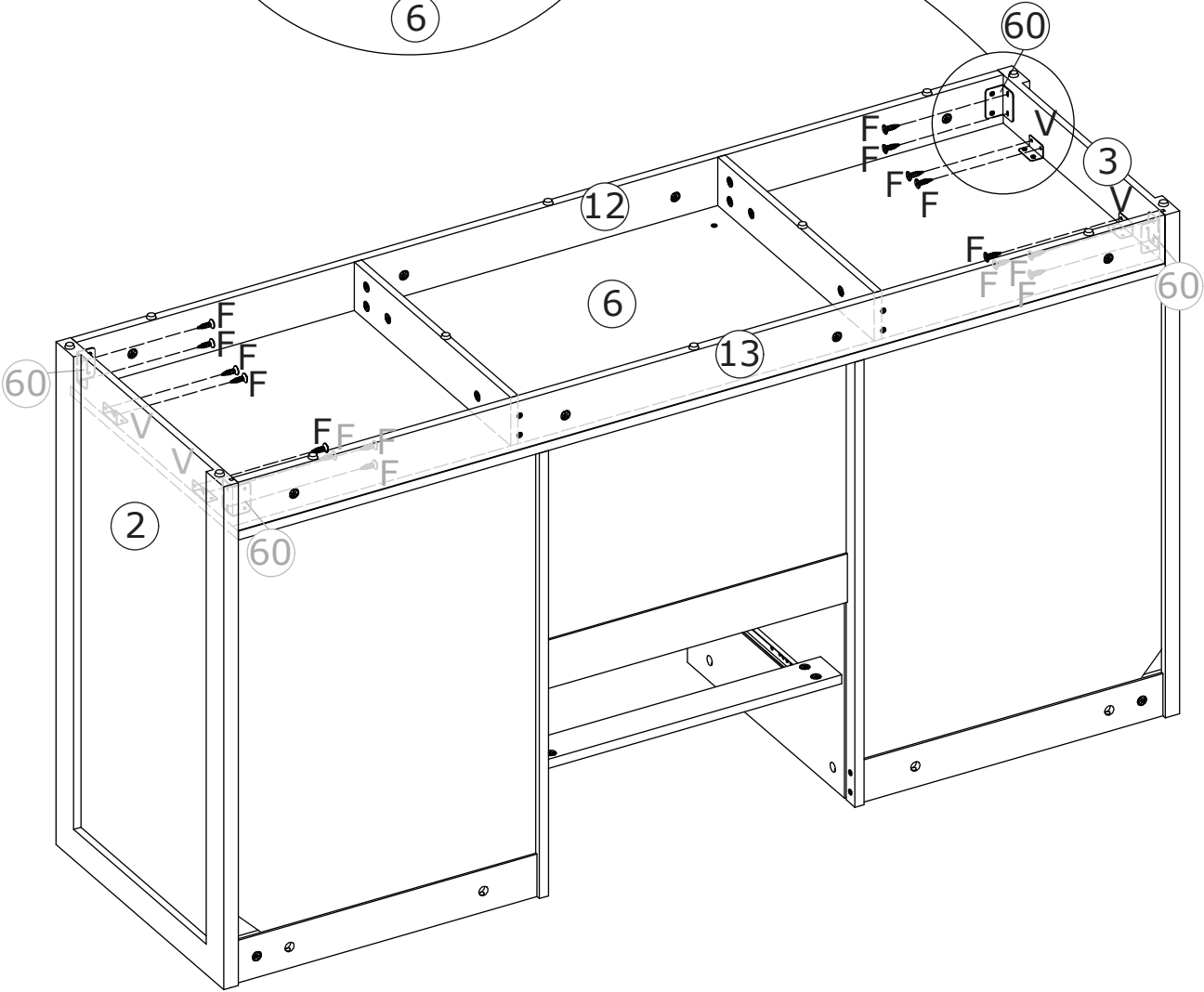
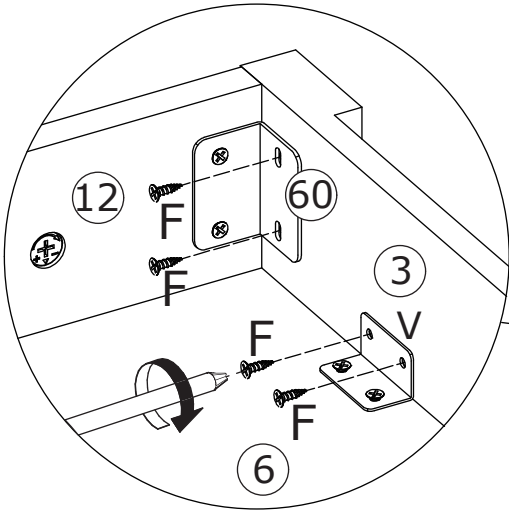
Attach plate 6 to plates 4 and 5 using dowels (C), and secure using screws (L).

17

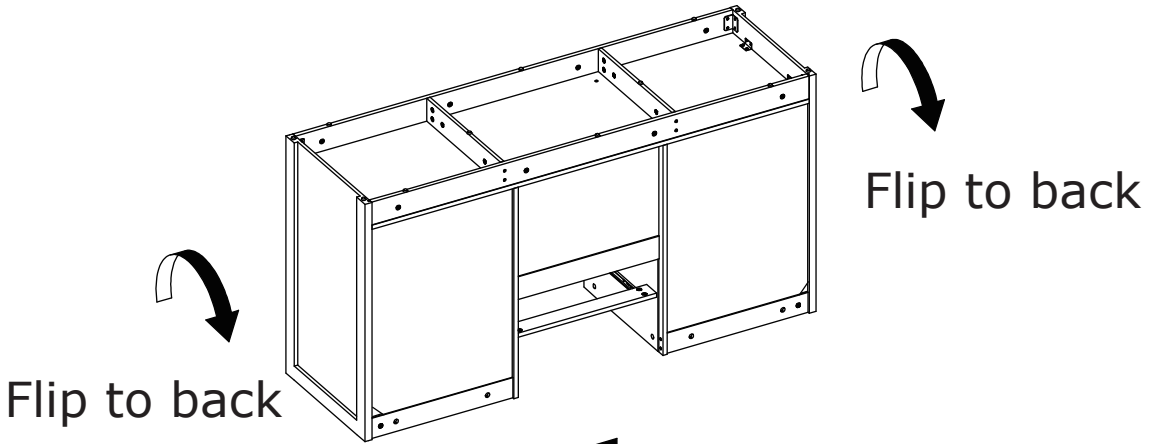
F x 16
M3.5 x 12 mm



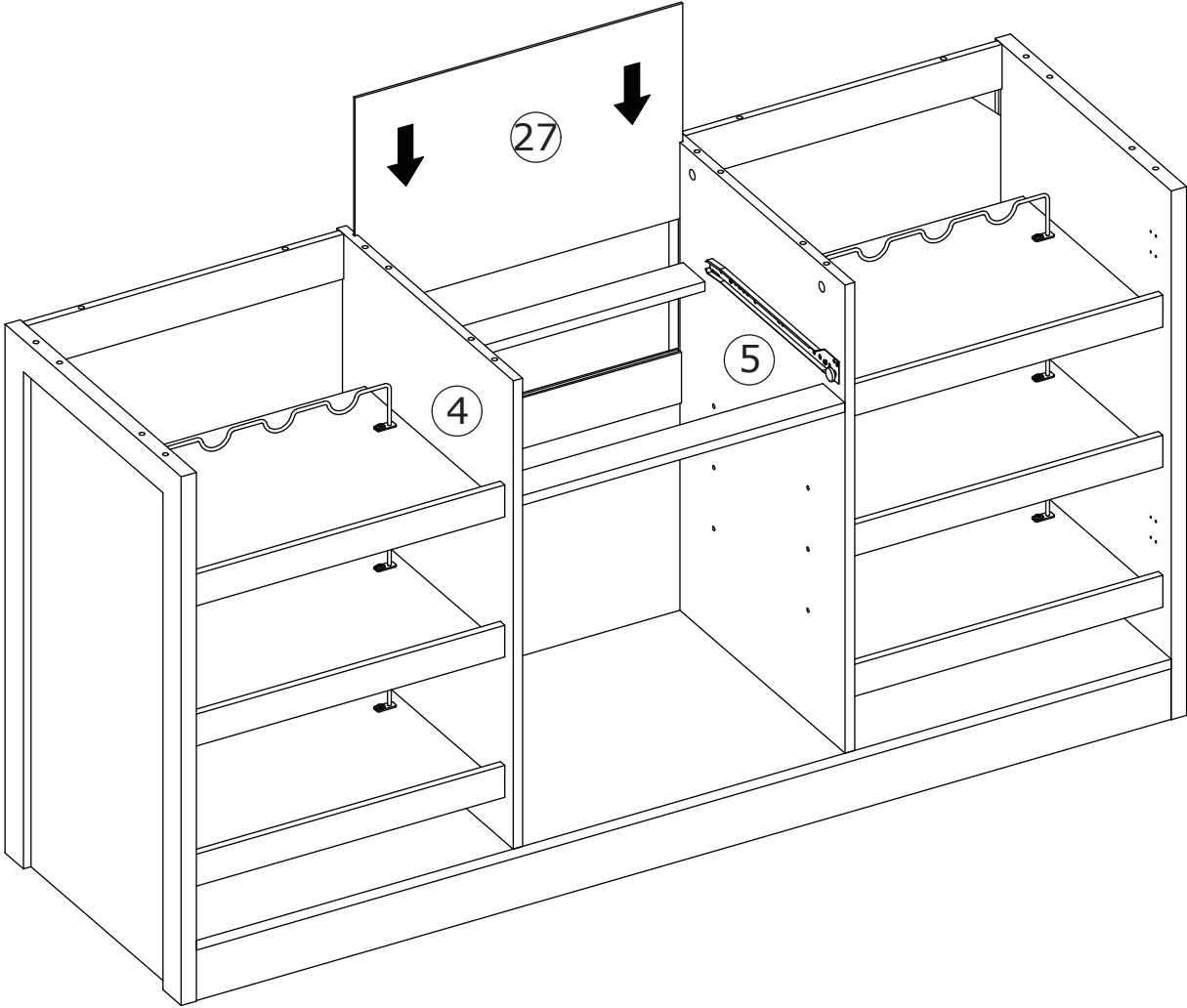
Secure the part 60 to plates 2 and 3 using screws (F).
Secure part (V) to plate 6 using screws (F).



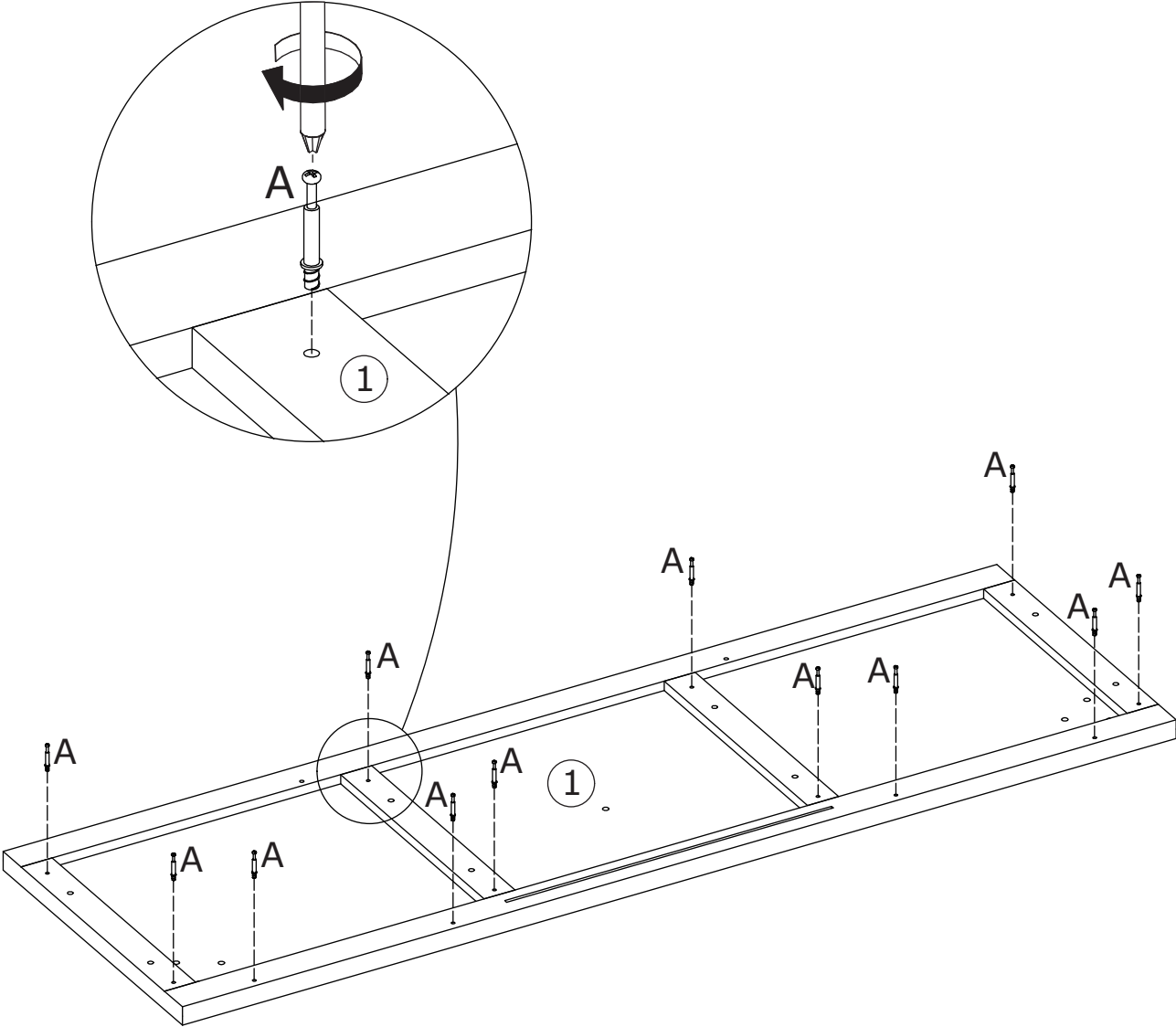
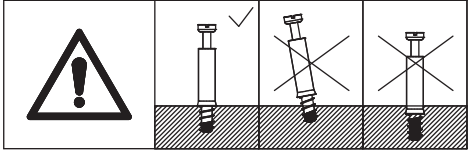
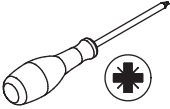
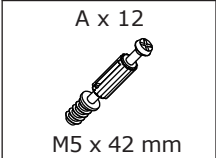
18



Insert plate 27 into the available slots.

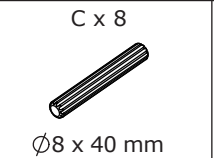


19

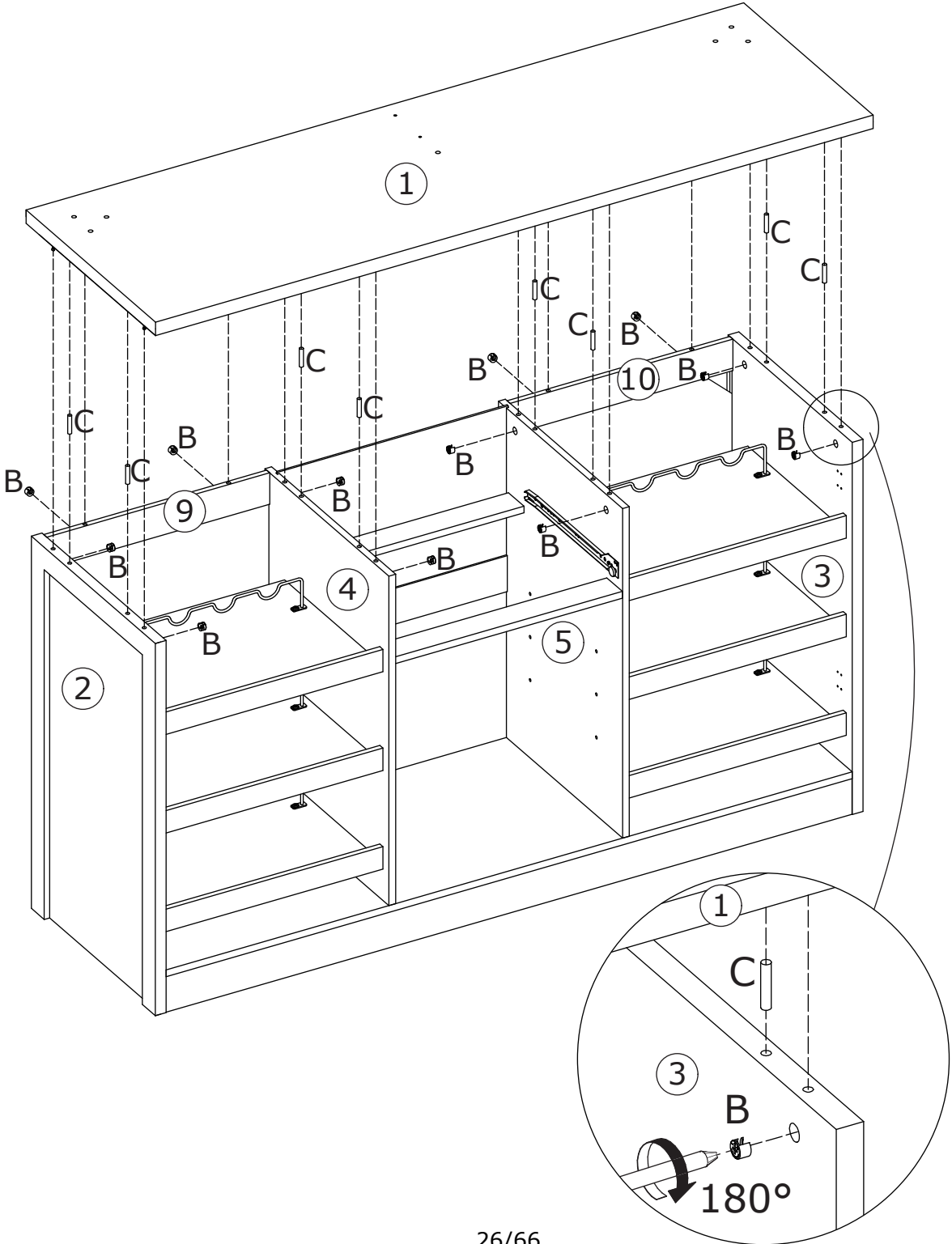
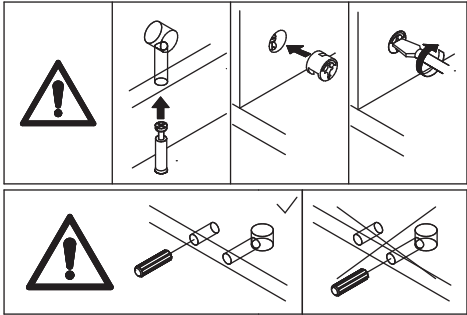


Screw eccentric rods (A) onto plate 1.

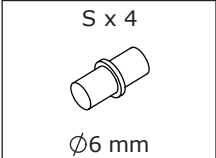
20



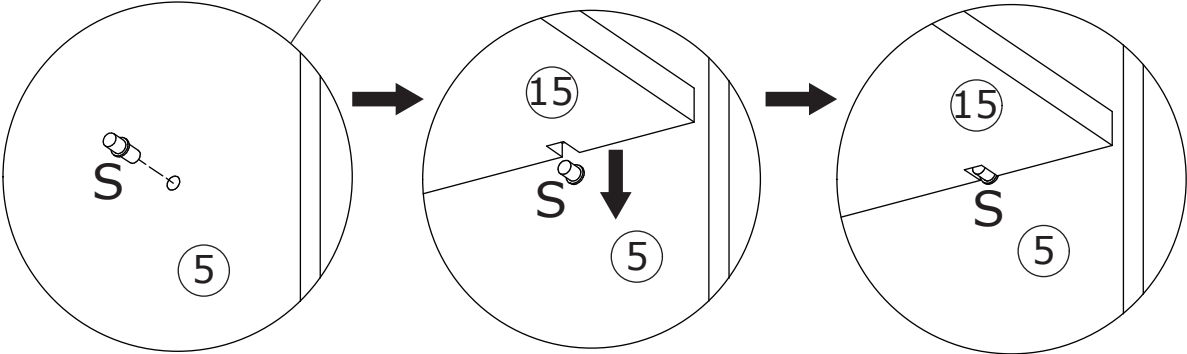
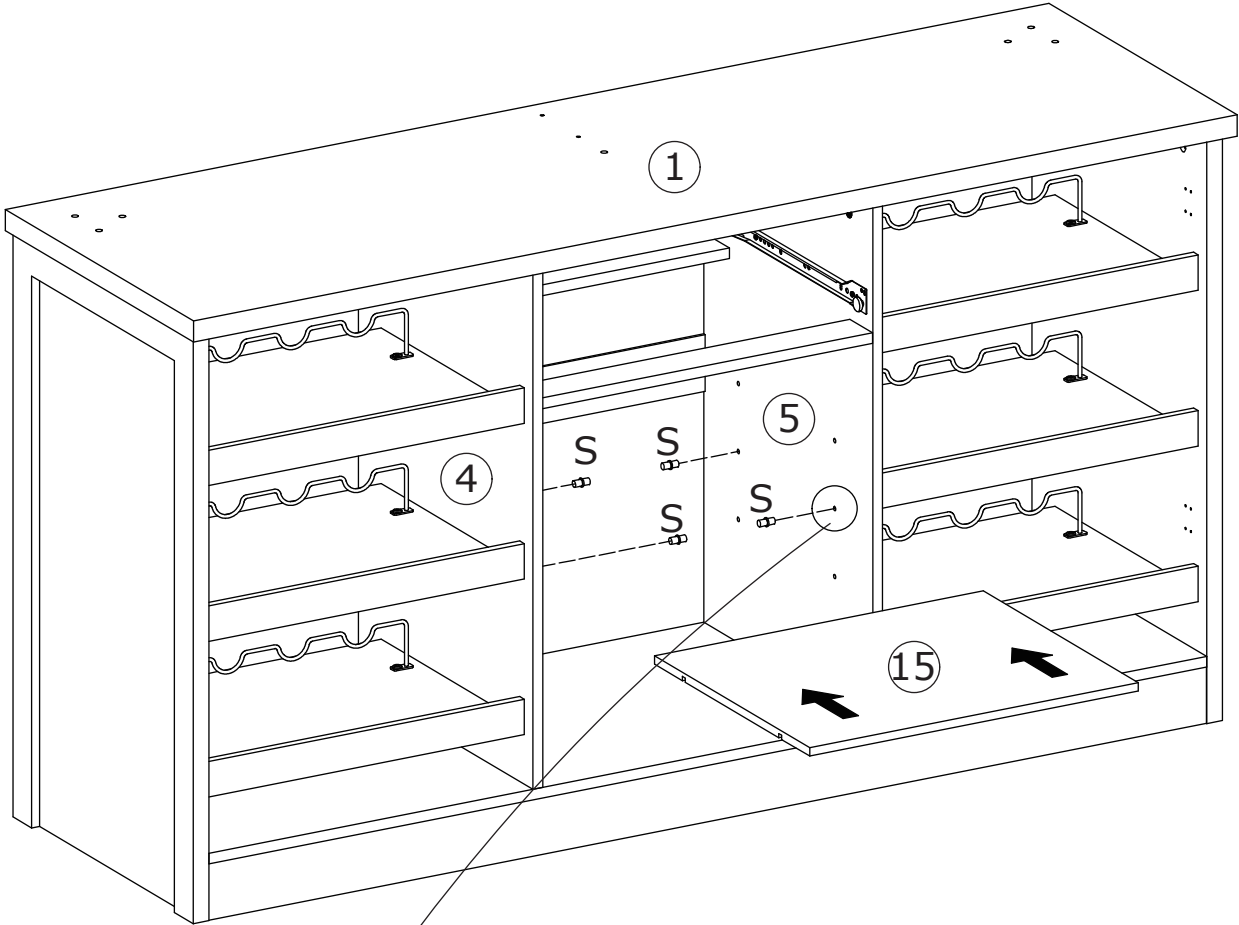
Connect plate 1 to the assembly unit using dowels (C), tighten by turning cam locks (B) clockwise.



21



Install layer pins (S) to plates 4 and 5, and place plate 15.



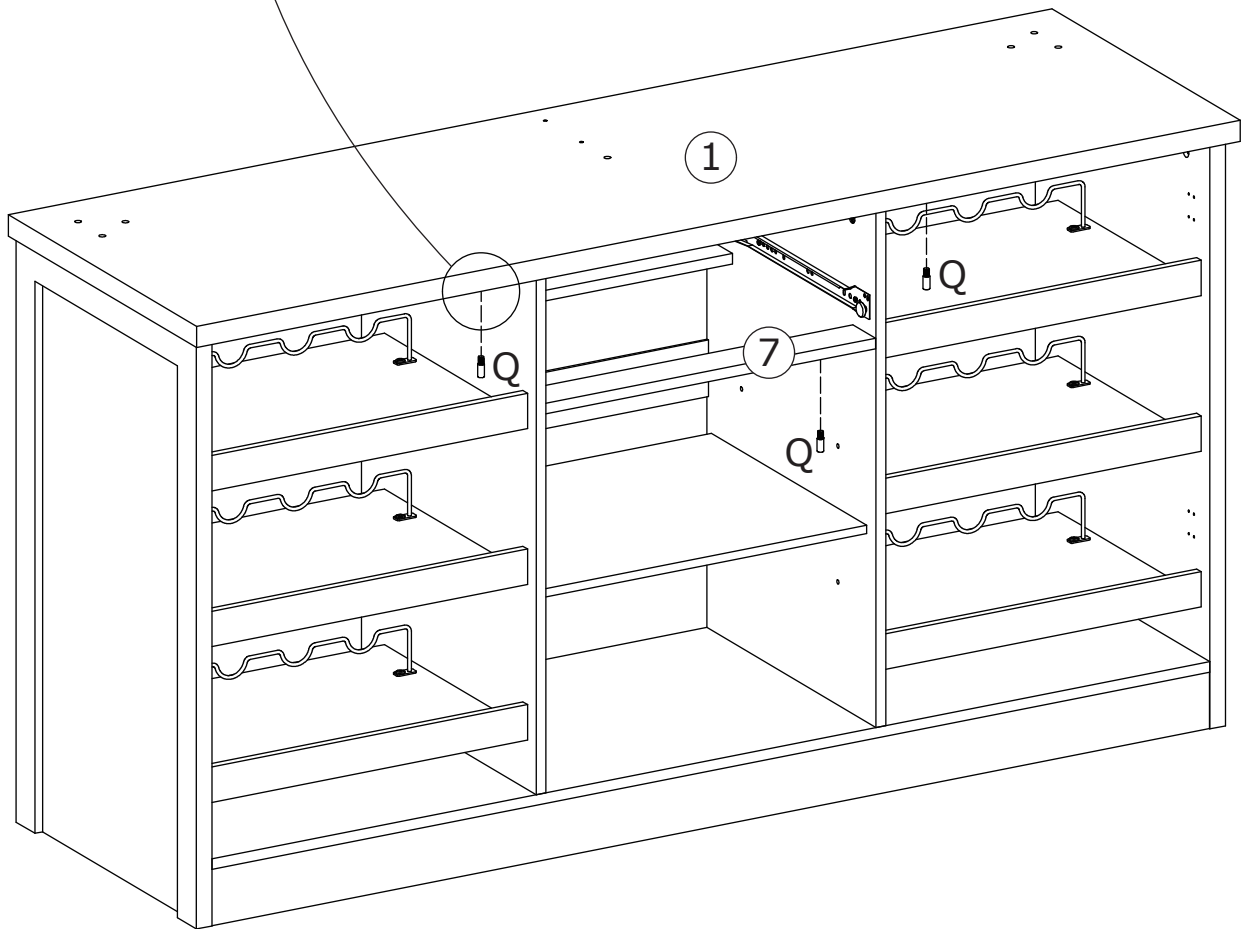
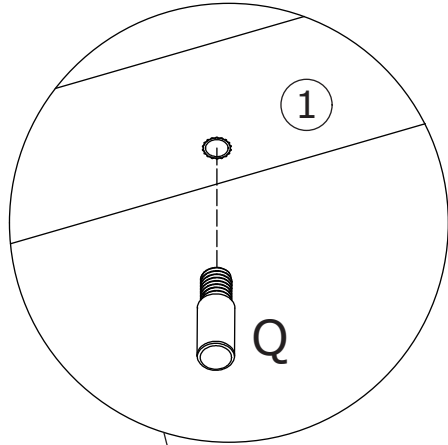
22

Q x 3

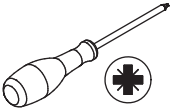
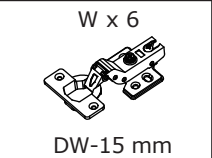
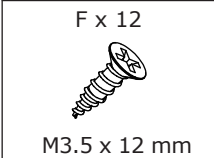


M5

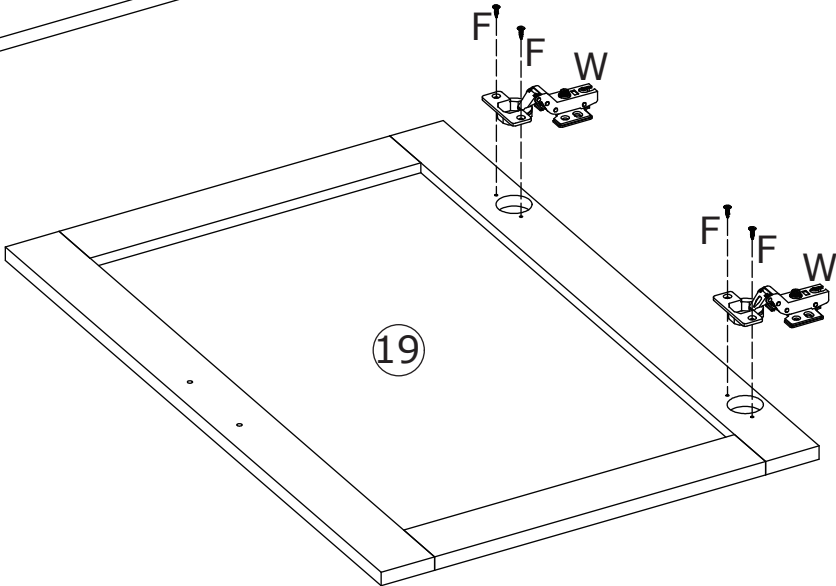
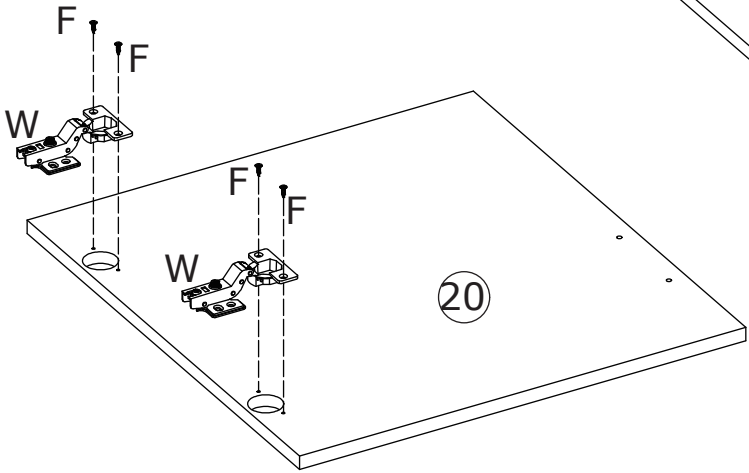
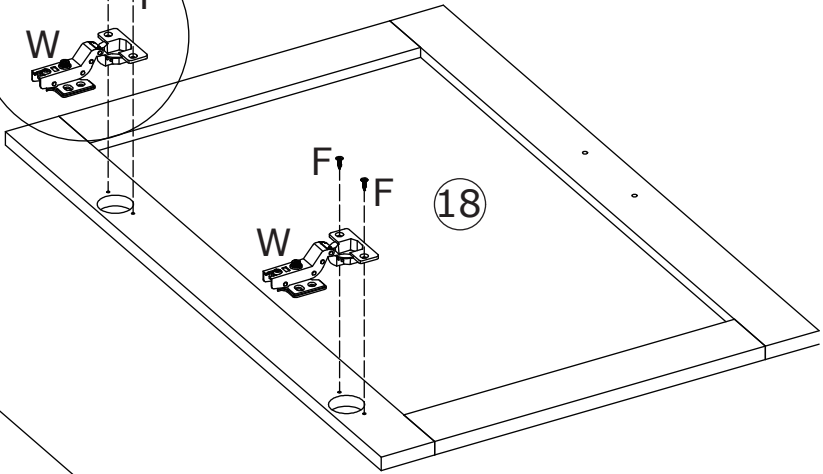
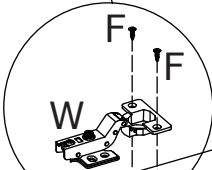
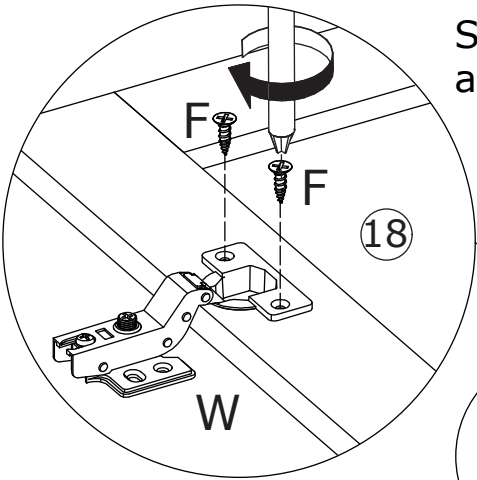
Screw part (Q) into plates 1 and 7.



23

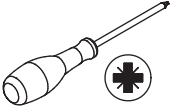


Secure door hinges (W) to plates 18, 19, and 20 using screws (F).

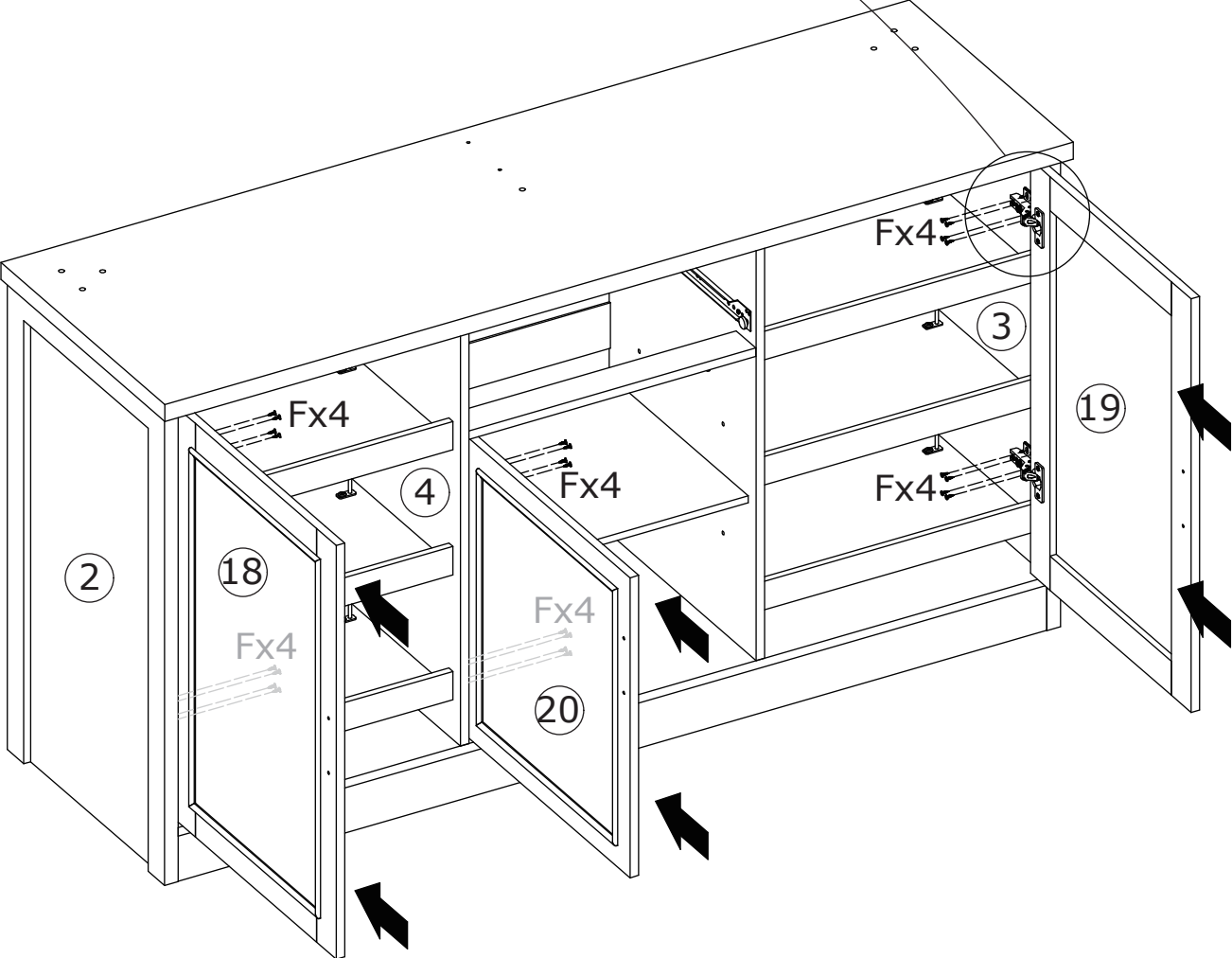
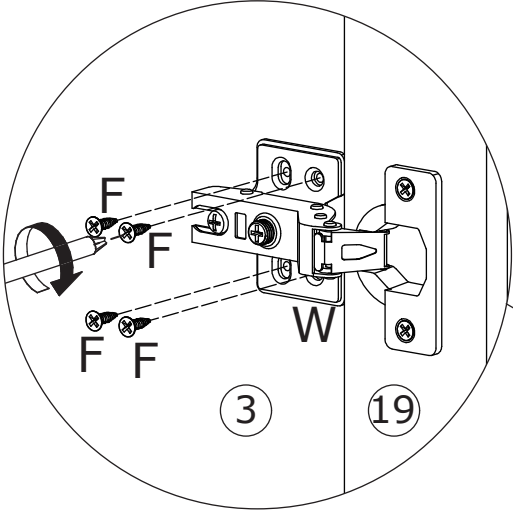


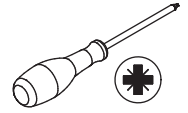
24

F x 24
M3.5 x 12 mm

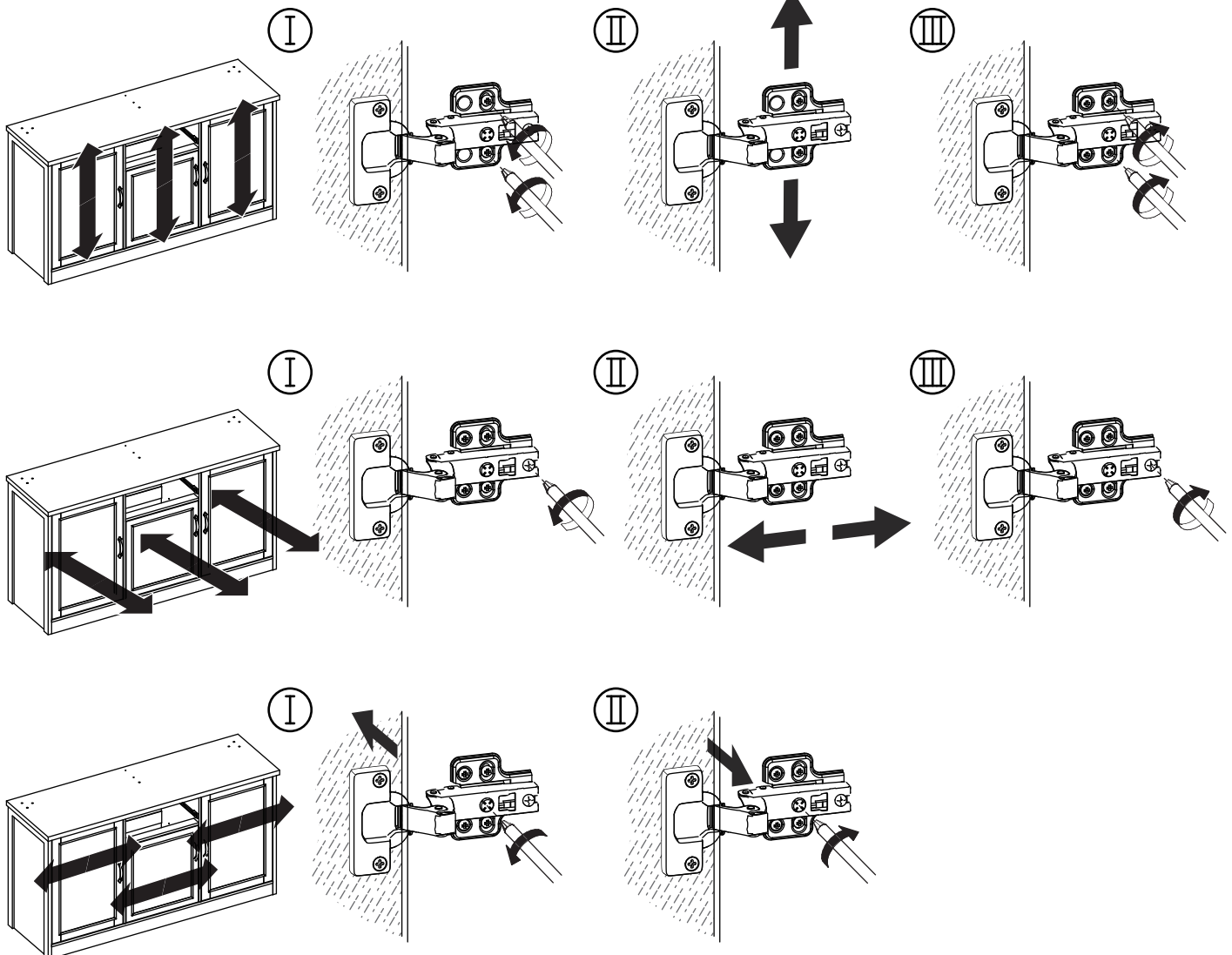
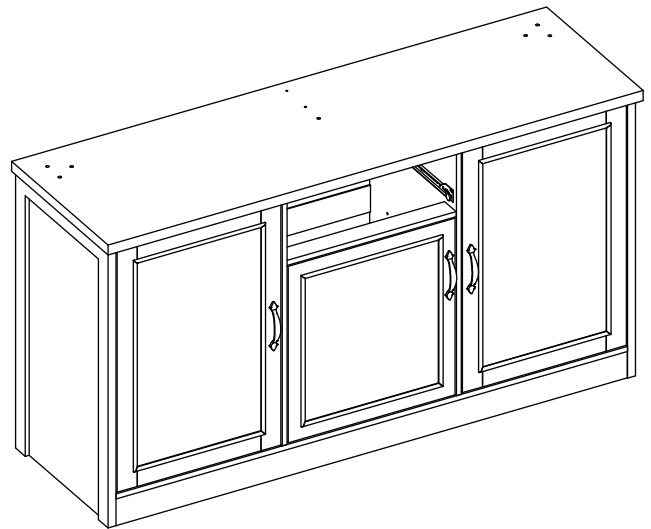


Secure the door hinges to plates 2, 3, and 4 using screws (F).

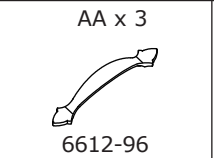




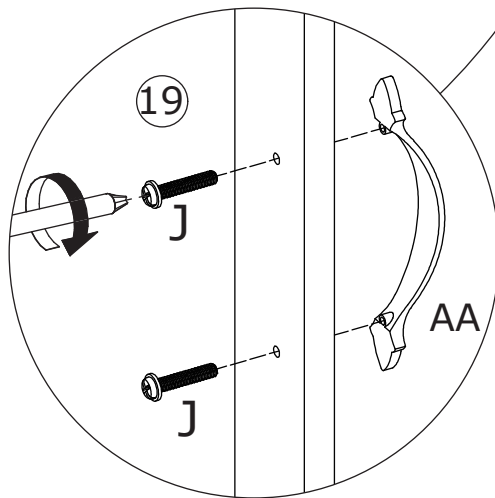
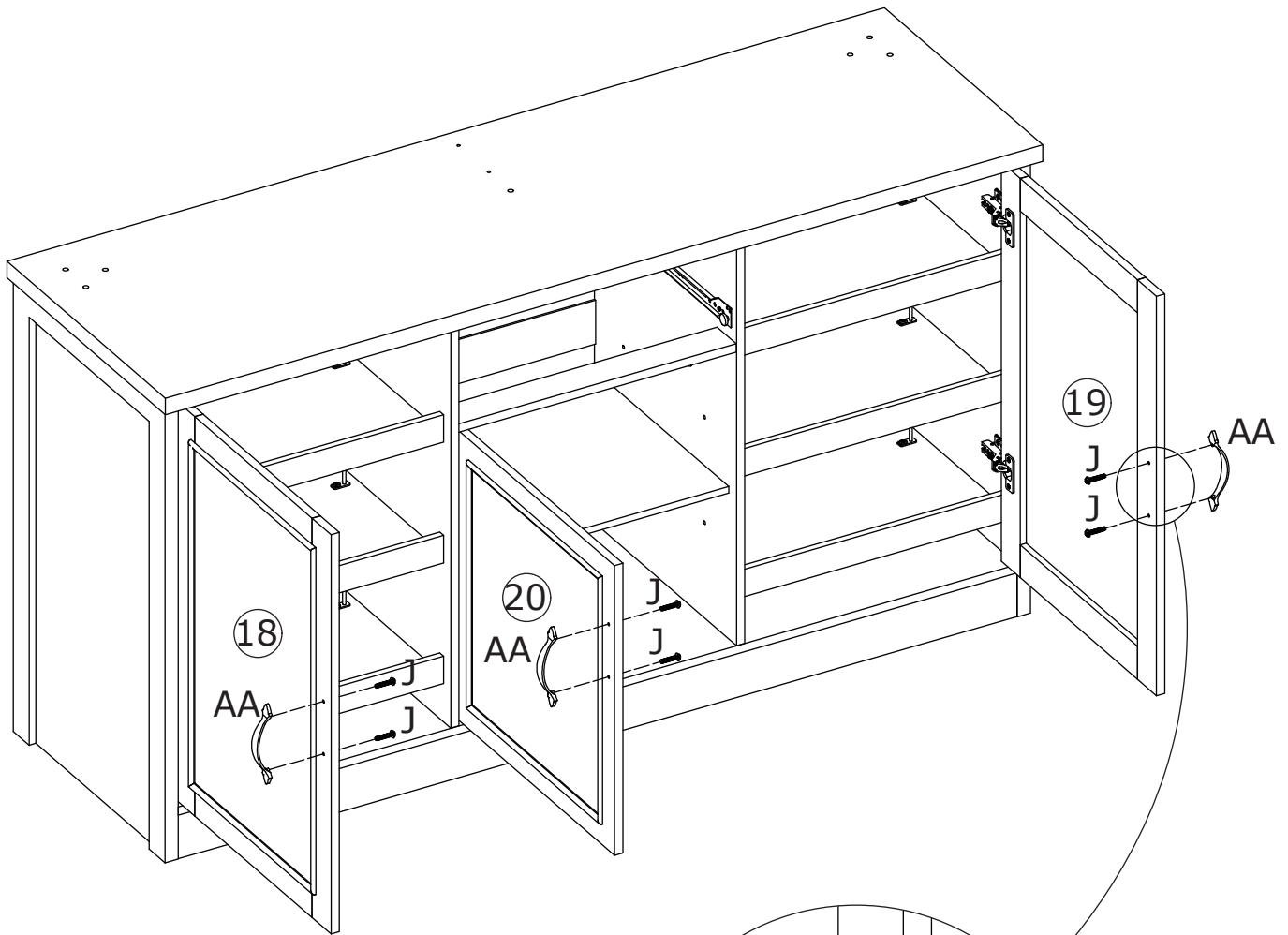
If doors are still not aligned if the hinges are properly installed, please watch the video.
<https://youtu.be/n0Lb36SoODM>






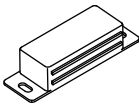
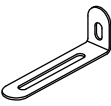
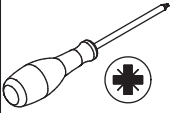


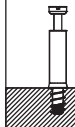


26

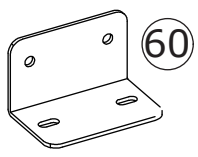


Secure handles (AA) to plates 18, 19, and 20 using screws (J).



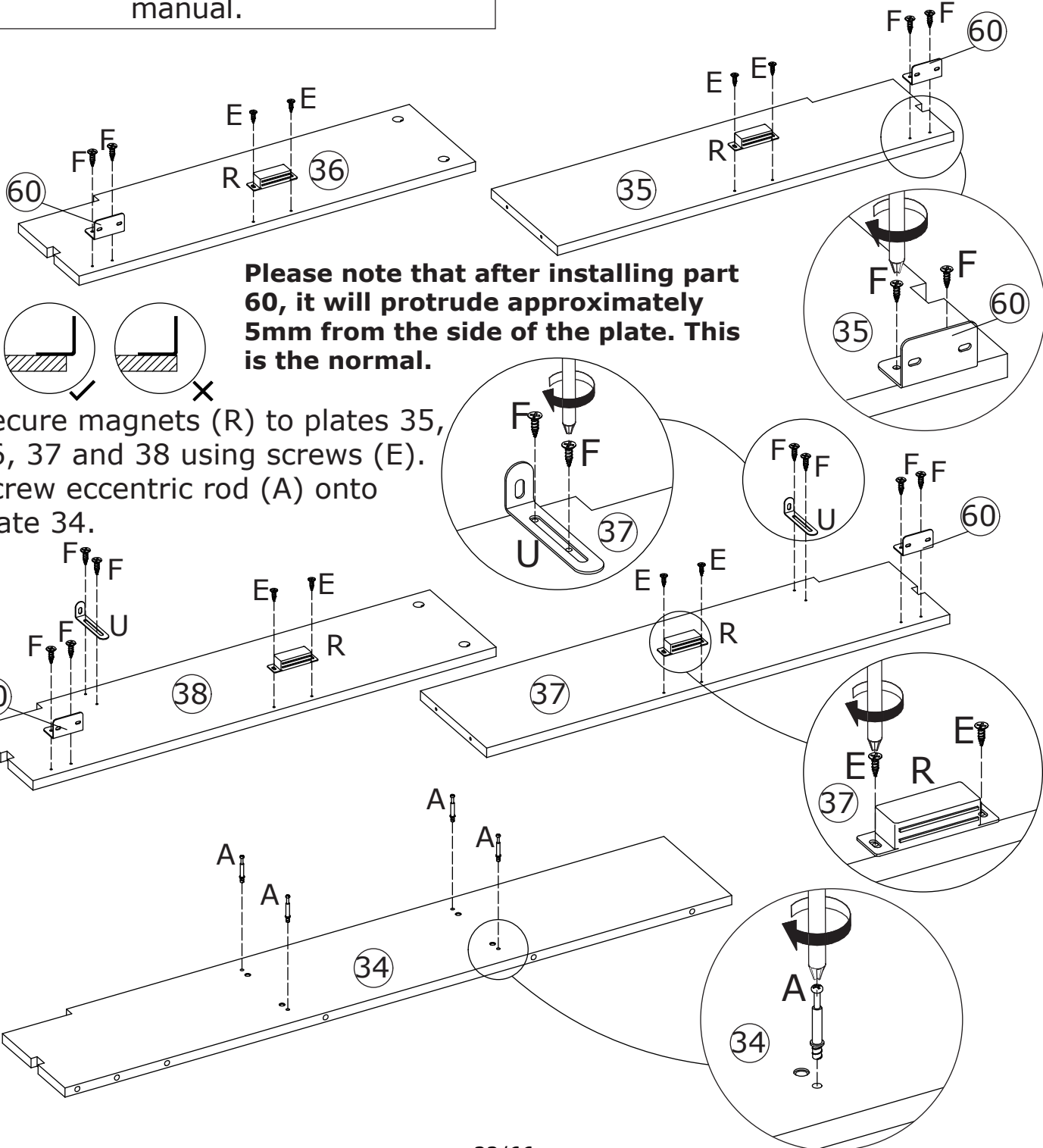
27

A x 4  M5 x 42 mm	E x 8  M3 x 12 mm	F x 12  M3.5 x 12 mm	R x 4 	U x 2 	
60 x 4 				   	



Please note that the hole shape of part 60 is different. Please assemble strictly according to the manual.

Secure part (U) to plates 37 and 38 using screws (F).
Secure part 60 to plates 35, 36, 37, and 38 using screws (F).

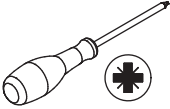


Please note that after installing part 60, it will protrude approximately 5mm from the side of the plate. This is the normal.

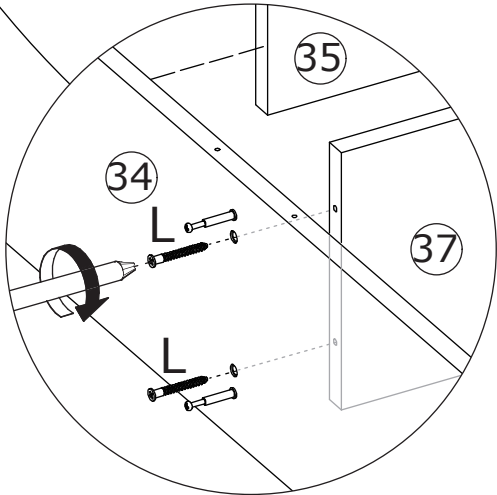
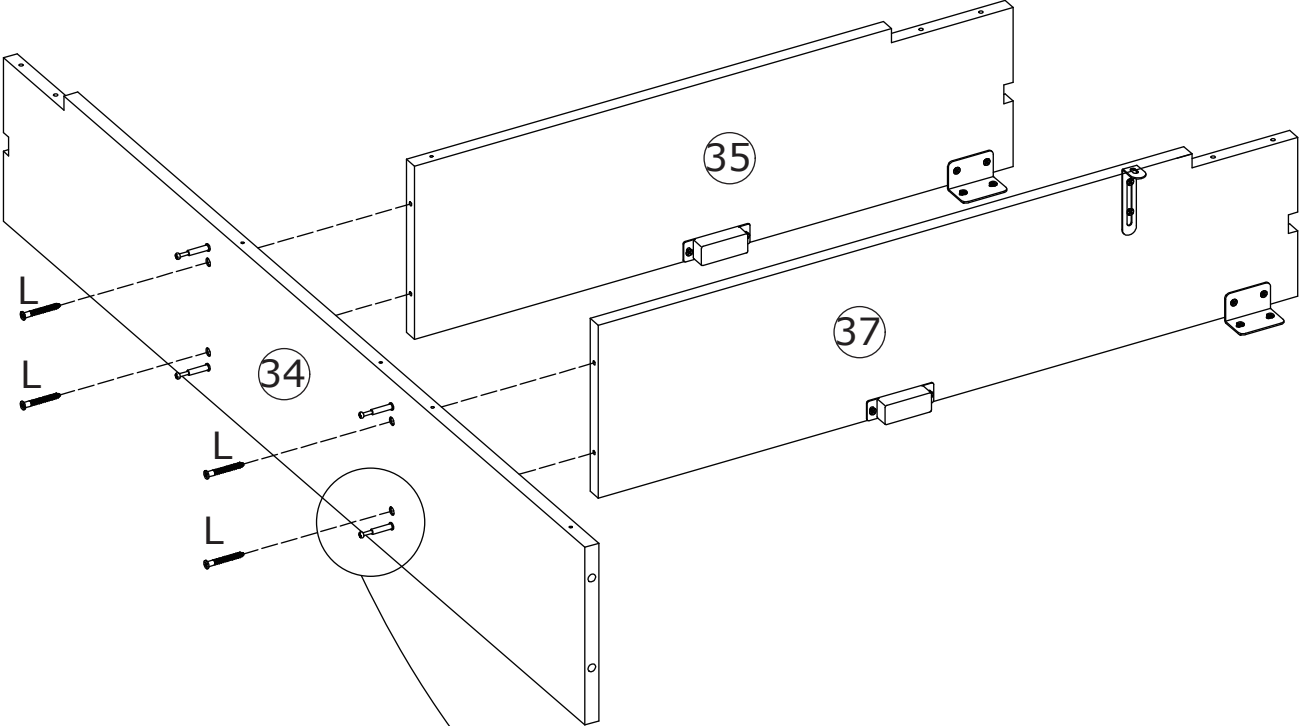
Secure magnets (R) to plates 35, 36, 37 and 38 using screws (E).
Screw eccentric rod (A) onto plate 34.

28

L x 4
M5 x 40 mm

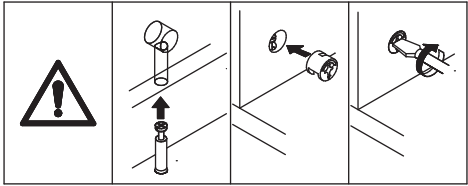
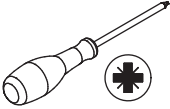


Secure plate 34 to plates 35 and 37 using screws (L).

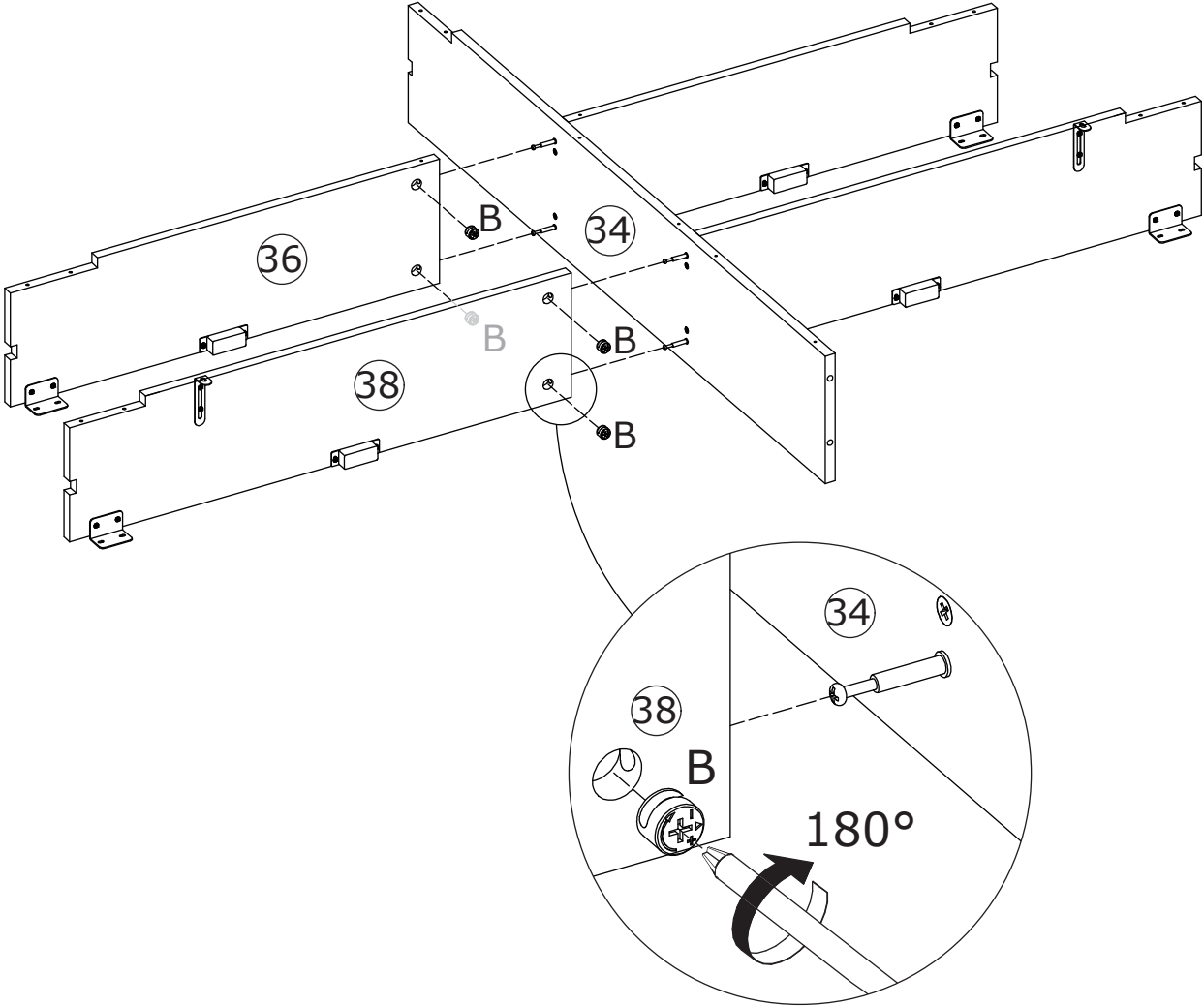


29

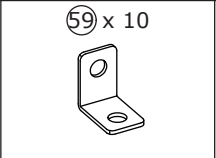
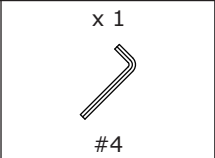
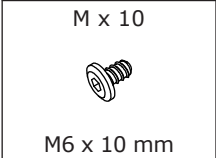
B x 4
Ø15 x 10 mm



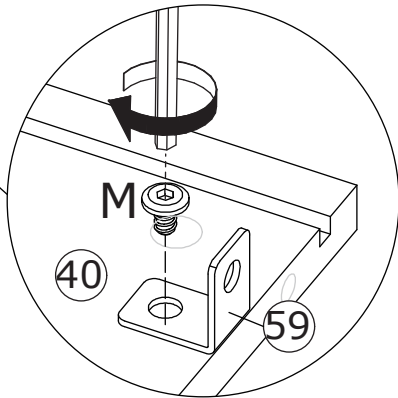
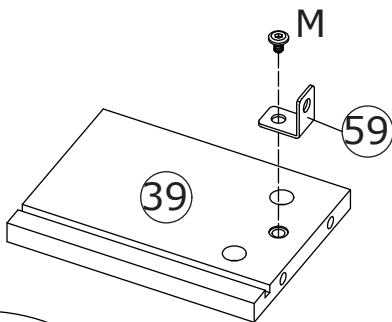
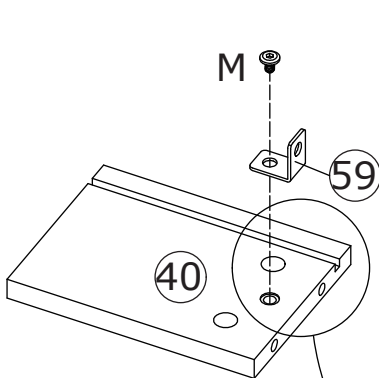
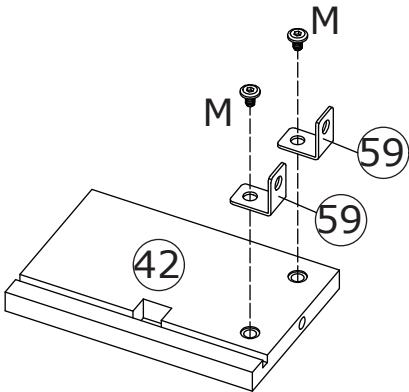
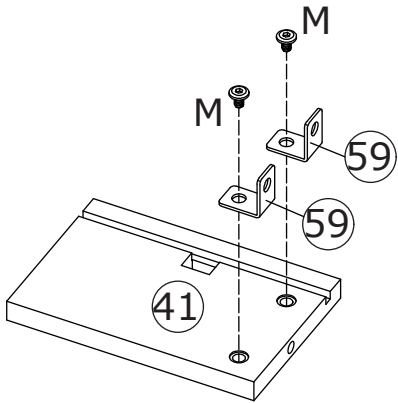
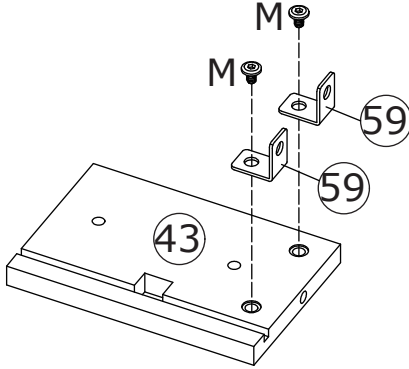
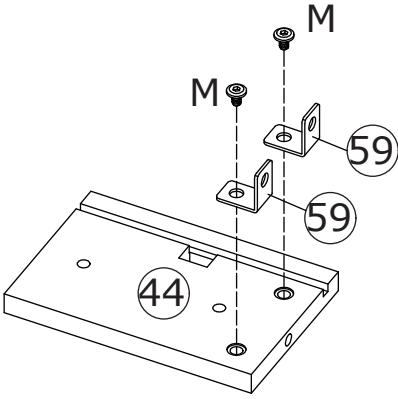
Connect plates 36 and 38 to plate 34, tighten by turning cam locks (B) clockwise.







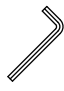
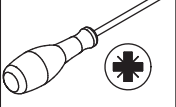
30



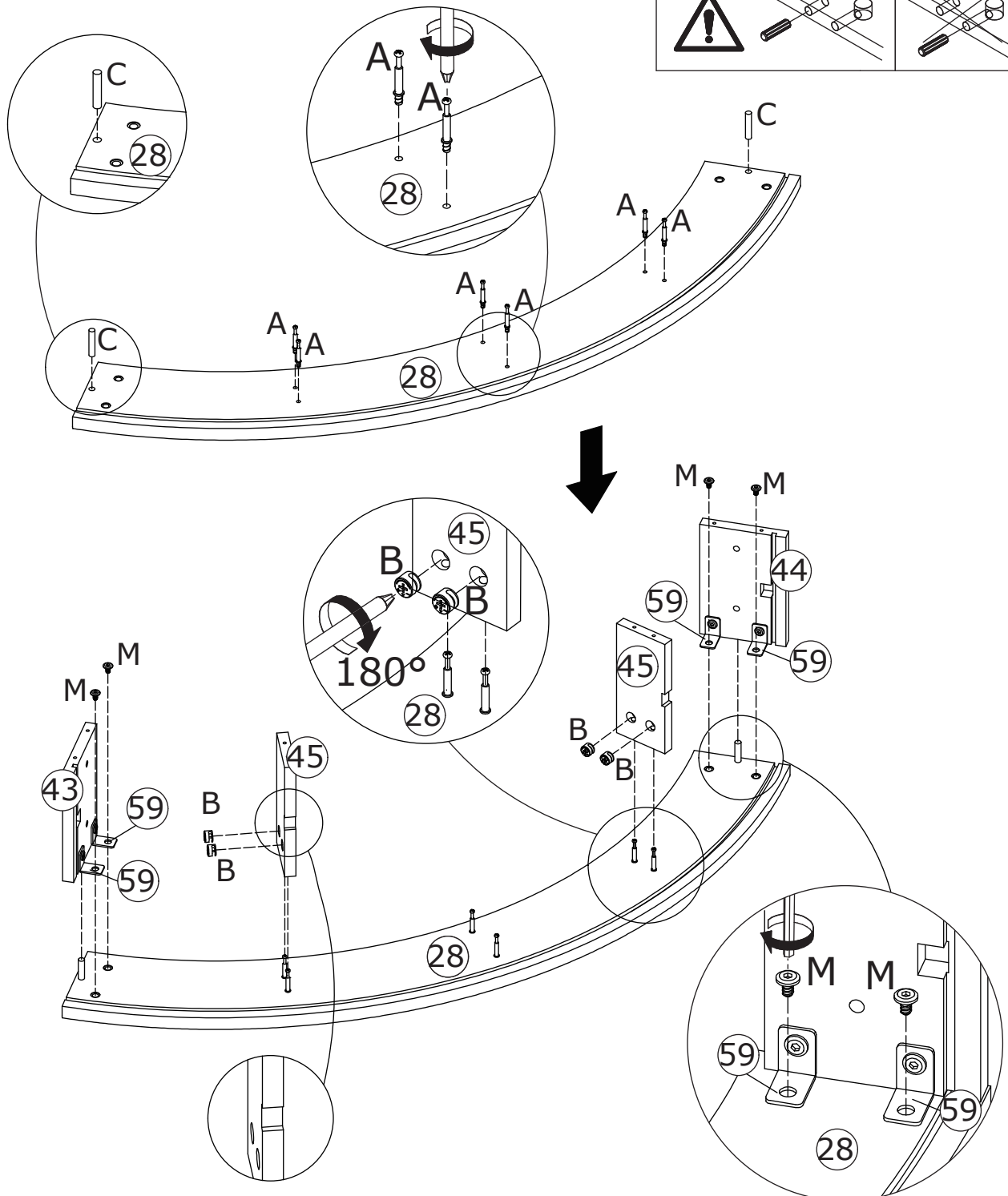
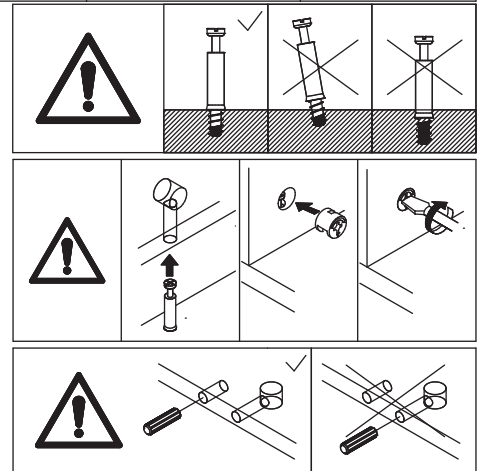
Secure part 59 to plates 39, 40, 41, 42, 43, and 44 using screws (M).








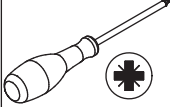
31

A x 6  M5 x 42 mm	B x 4  Ø15 x 10 mm	C x 2  Ø8 x 40 mm	M x 4  M6 x 10 mm	x 1  #4	
----------------------------------------------------------------------------------------------------------	-----------------------------------------------------------------------------------------------------------	----------------------------------------------------------------------------------------------------------	-----------------------------------------------------------------------------------------------------------	--------------------------------------------------------------------------------------------------	-------------------------------------------------------------------------------------

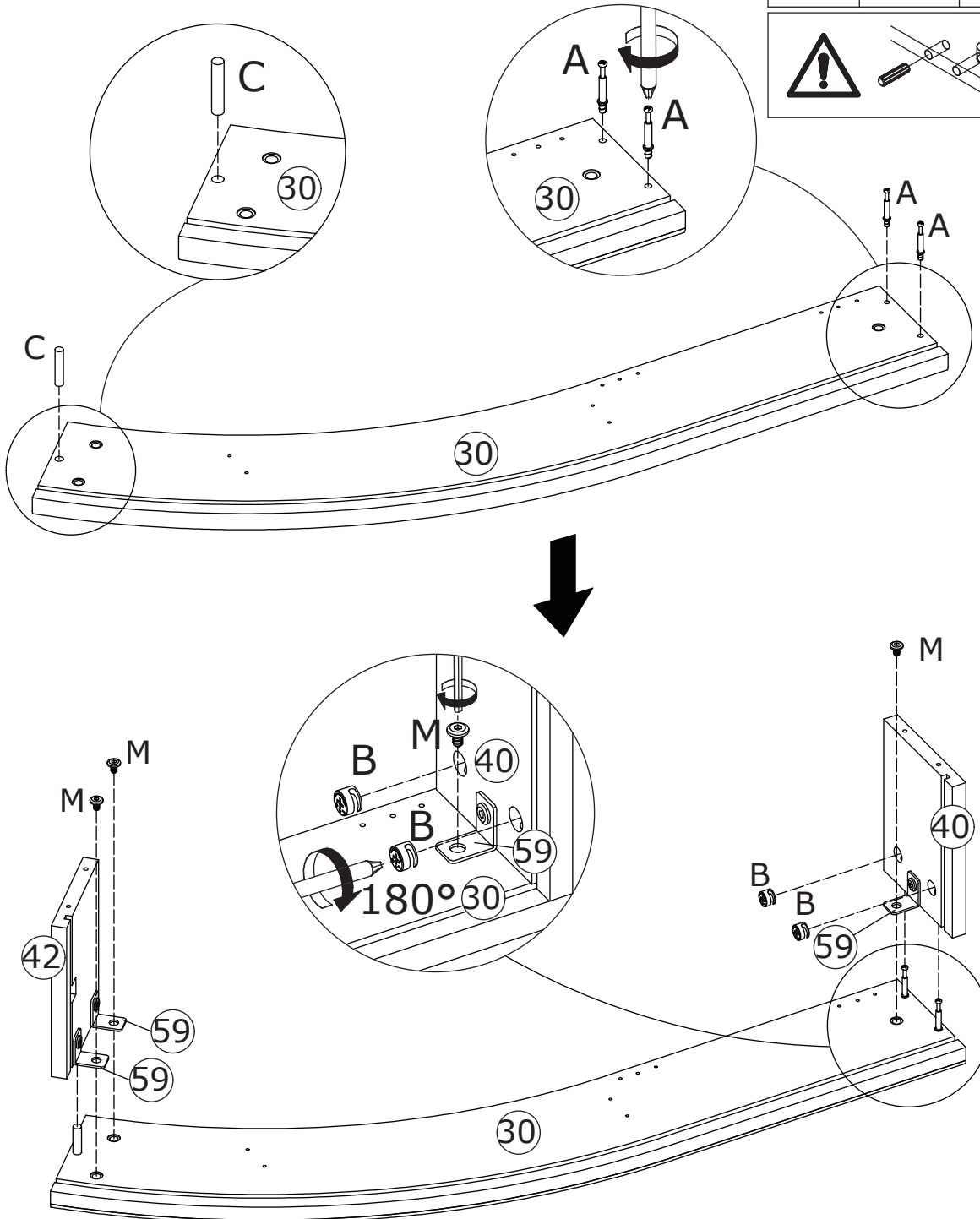
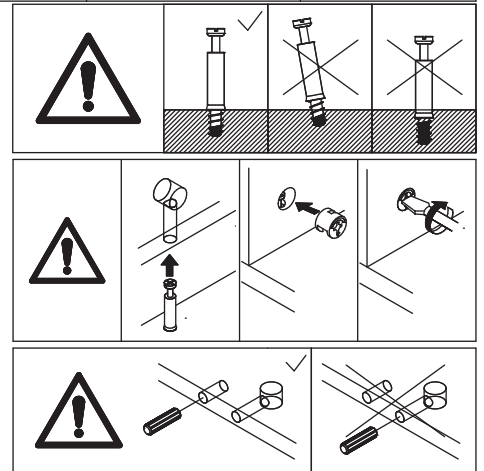
Screw eccentric rods (A) and insert wooden dowels (C) into plate 28.
Attach plate 45 to plate 28, tighten by turning cam locks (B) clockwise.
Attach plates 43 and 44 to plate 28, and secure part 59 to plate 28 using screw (M).








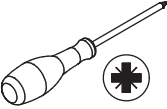
32

<p>A x 2</p>  <p>M5 x 42 mm</p>	<p>B x 2</p>  <p>Ø15 x 10 mm</p>	<p>C x 1</p>  <p>Ø8 x 40 mm</p>	<p>M x 3</p>  <p>M6 x 10 mm</p>	<p>x 1</p>  <p>#4</p>	
------------------------------------------------------------------------------------------------------------------	-------------------------------------------------------------------------------------------------------------------	------------------------------------------------------------------------------------------------------------------	-------------------------------------------------------------------------------------------------------------------	----------------------------------------------------------------------------------------------------------	-------------------------------------------------------------------------------------

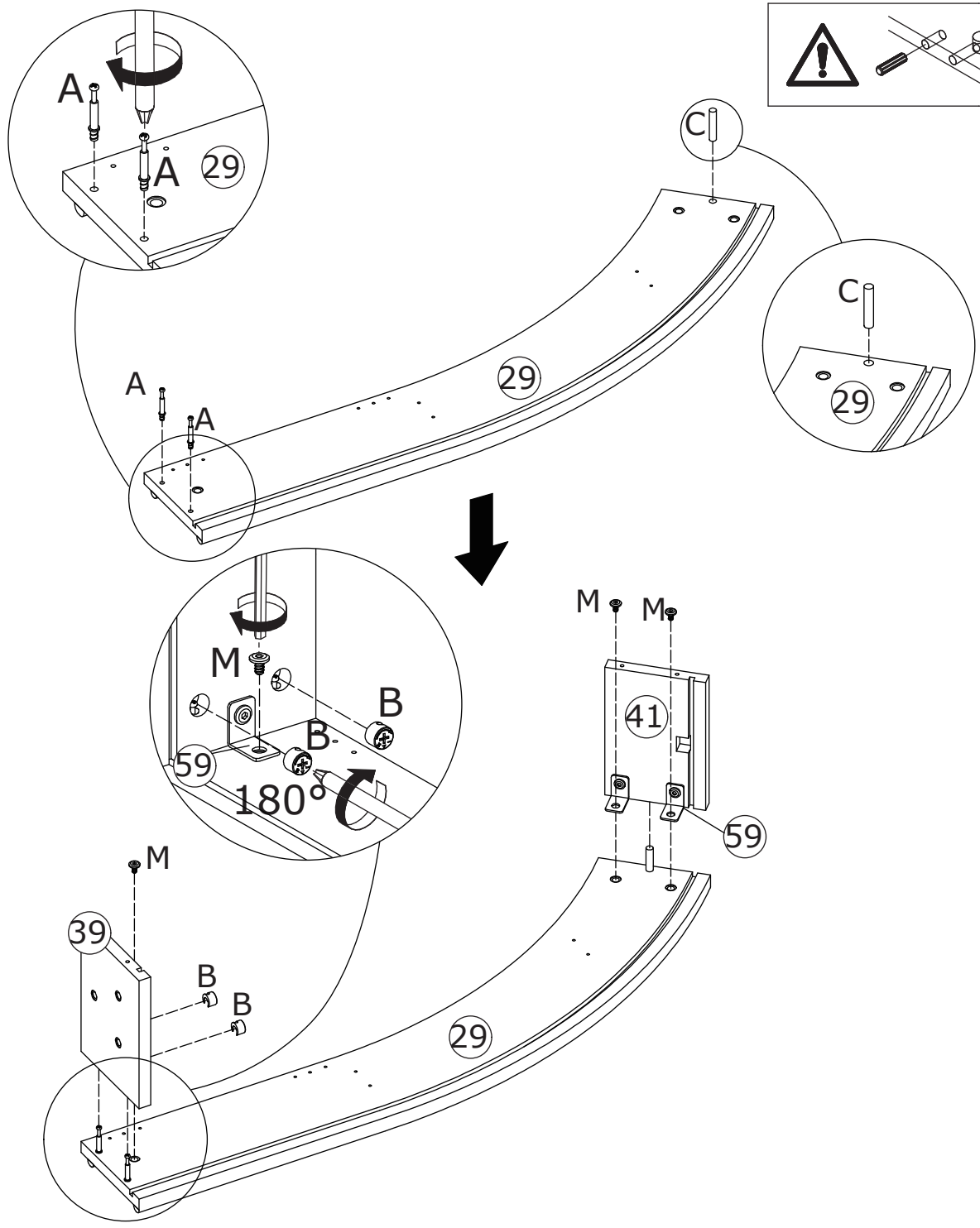
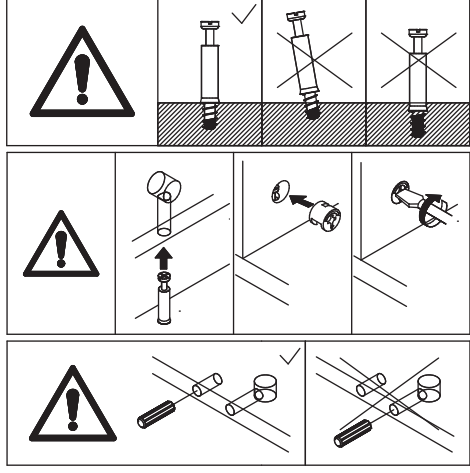
Screw eccentric rods (A) and insert wooden dowels (C) into plate 30.
 Attach plates 40 and 42 to plate 30, and secure part 59 to plate 30 using screw (M).





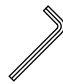
33

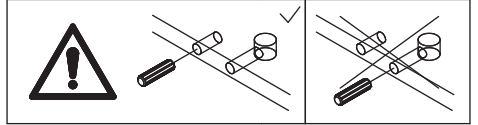
<p>A x 2</p>  <p>M5 x 42 mm</p>	<p>B x 2</p>  <p>Ø15 x 10 mm</p>	<p>C x 1</p>  <p>Ø8 x 40 mm</p>	<p>M x 3</p>  <p>M6 x 10 mm</p>	<p>x 1</p>  <p>#4</p>	
------------------------------------------------------------------------------------------------------------------	-------------------------------------------------------------------------------------------------------------------	------------------------------------------------------------------------------------------------------------------	-------------------------------------------------------------------------------------------------------------------	----------------------------------------------------------------------------------------------------------	-------------------------------------------------------------------------------------

Screw eccentric rods (A) and insert wooden dowels (C) into plate 29.
 Attach plate 39 to plate 29, tighten by turning cam locks (B) clockwise.
 Attach plate 41 to plate 29, and secure part 59 to plate 29 using screw (M).

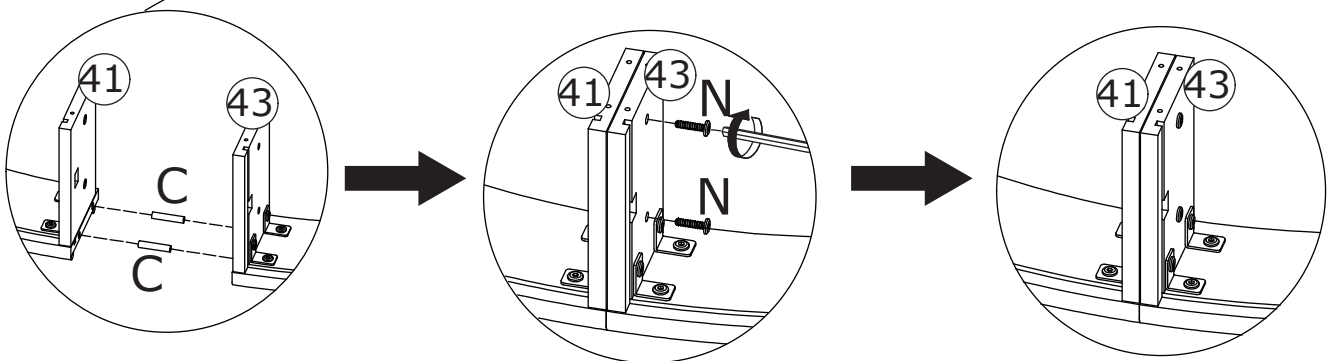
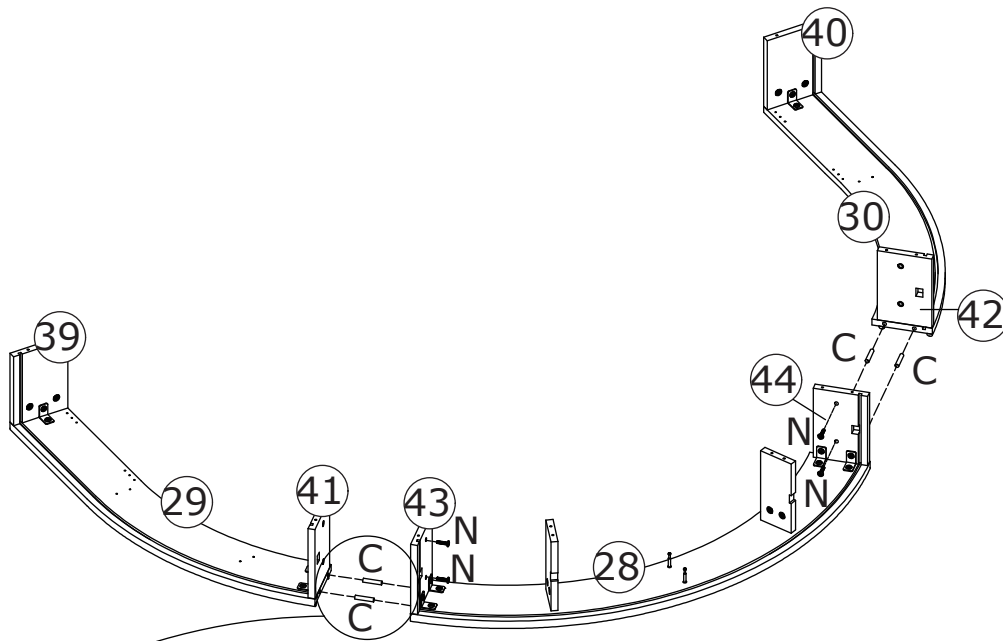


34

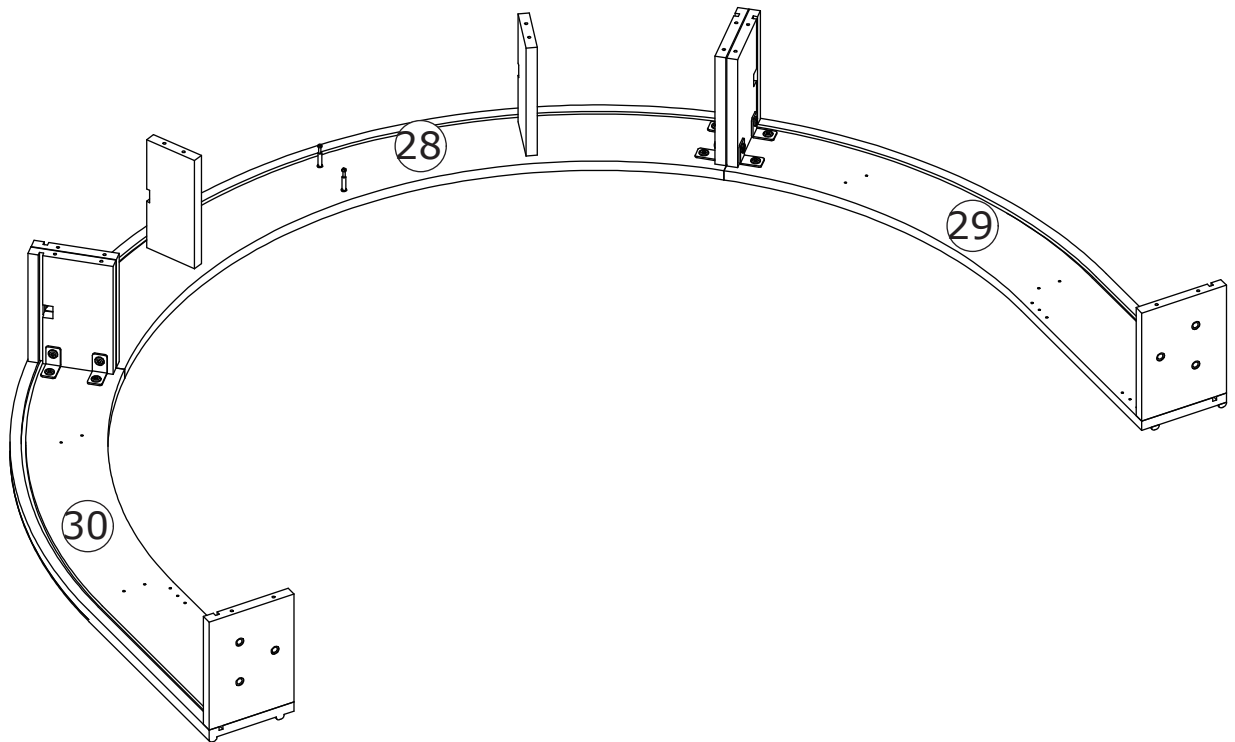
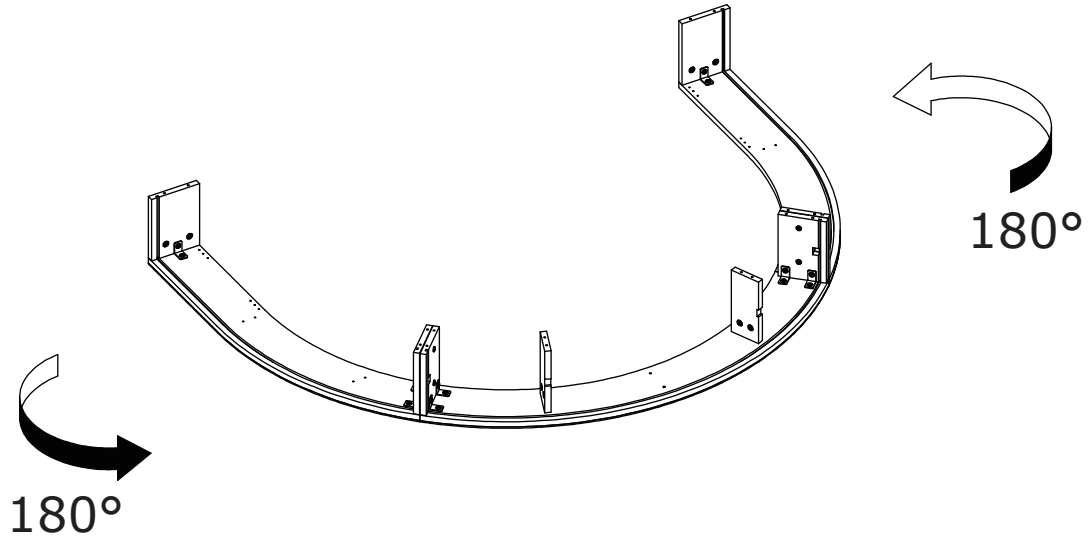
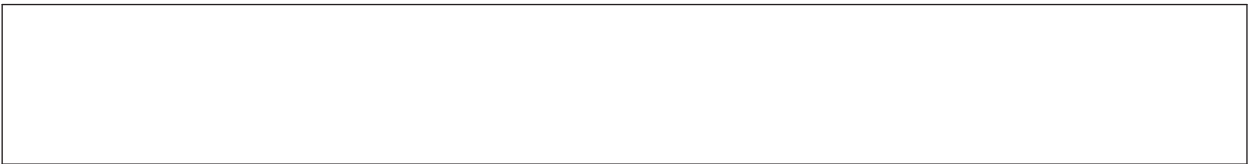
C x 4  Ø8 x 40 mm	N x 4  M6 x 25 mm	x 1  #4	
----------------------------------------------------------------------------------------------------------	----------------------------------------------------------------------------------------------------------	------------------------------------------------------------------------------------------------	--



Connect the three components using dowels (C) and secure with screws (N).



35



36

B x 2

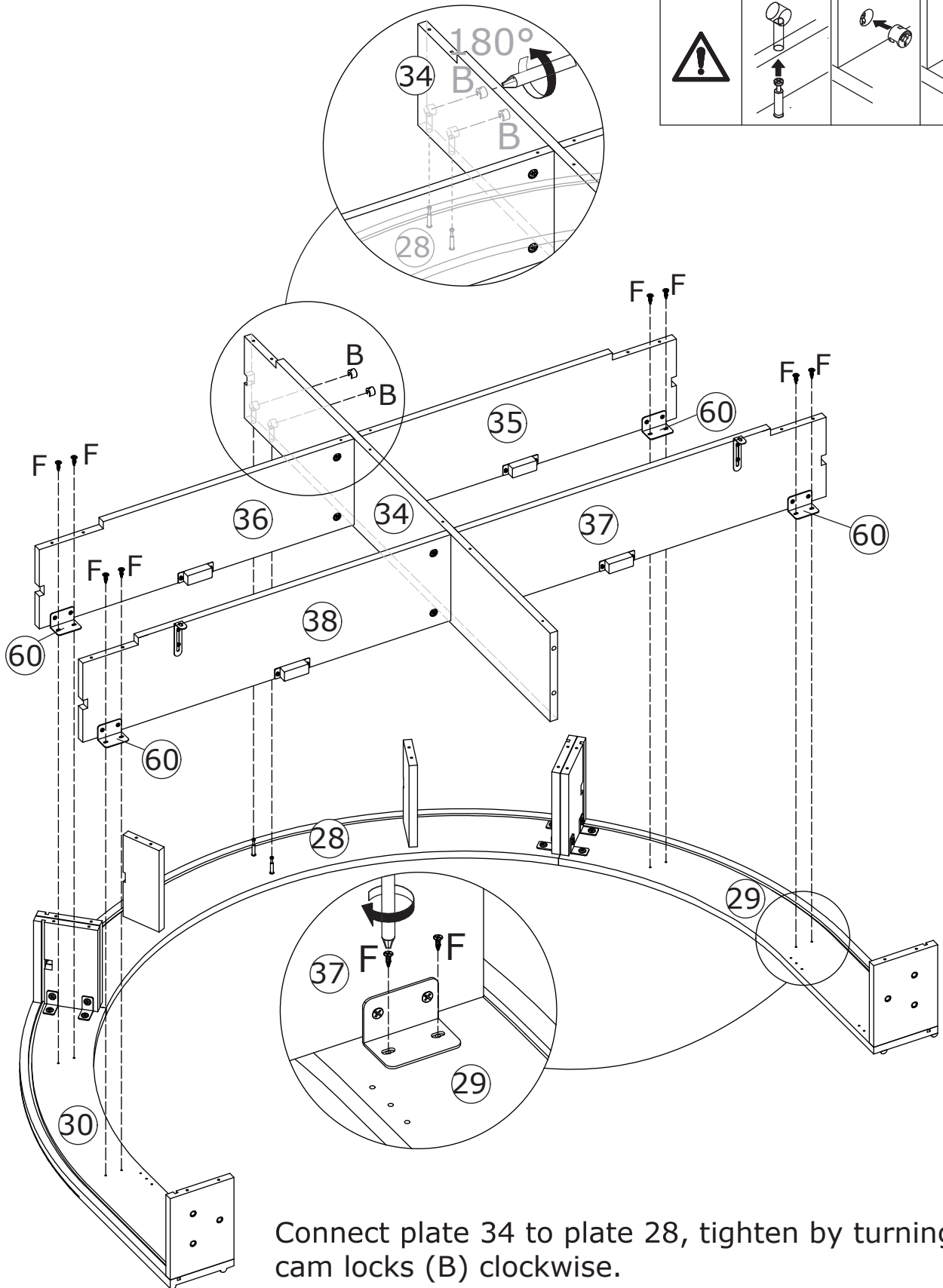
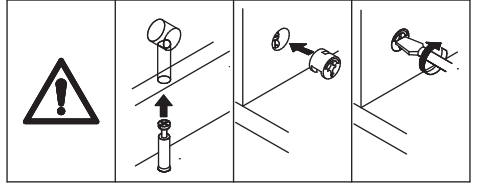
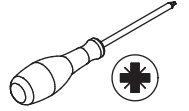


Ø15 x 10 mm

F x 8



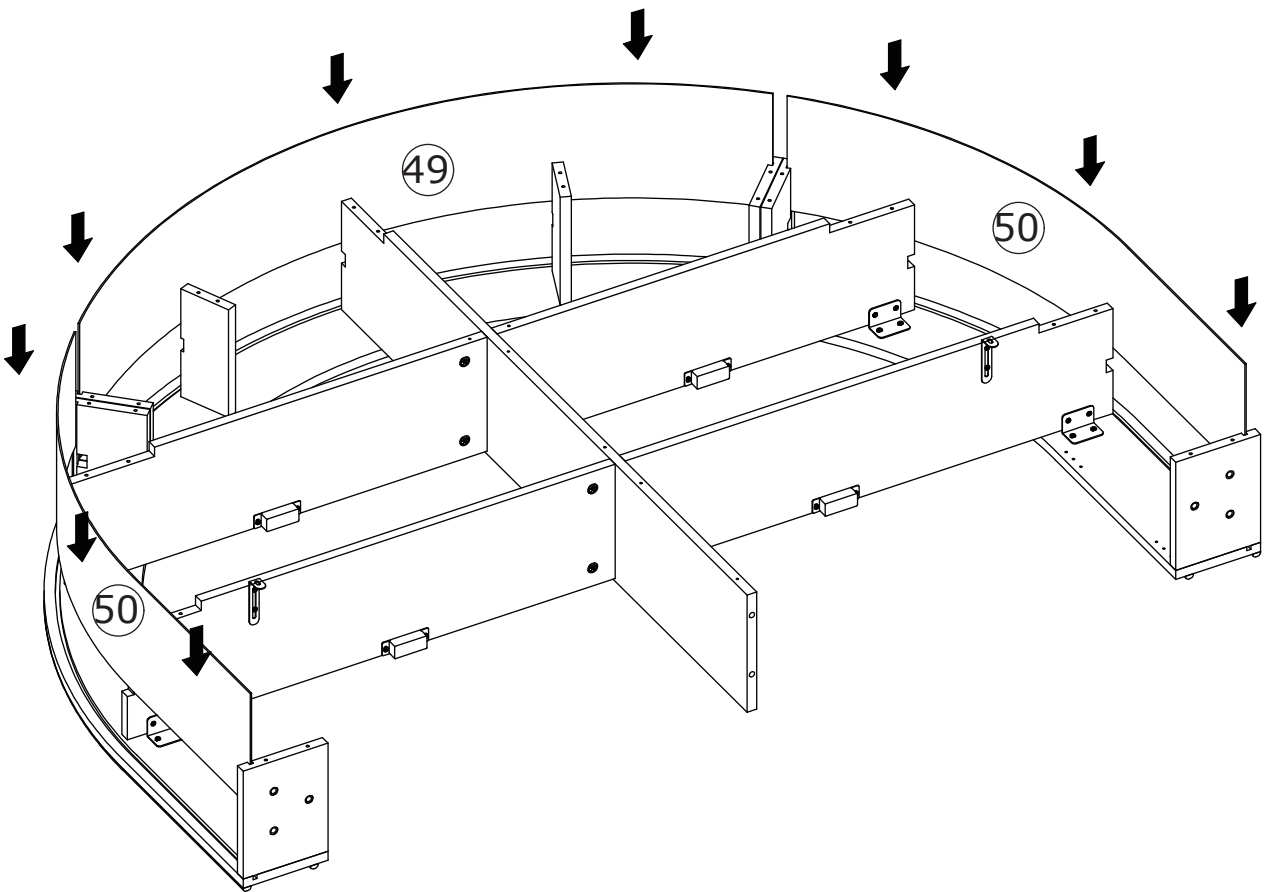
M3.5 x 12 mm



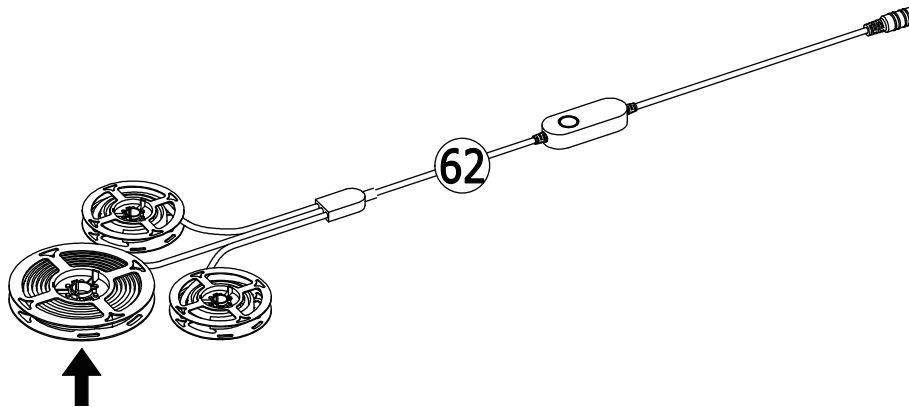
Connect plate 34 to plate 28, tighten by turning cam locks (B) clockwise.
Secure part 60 to plates 28, 29, and 30 using screws (F).

37

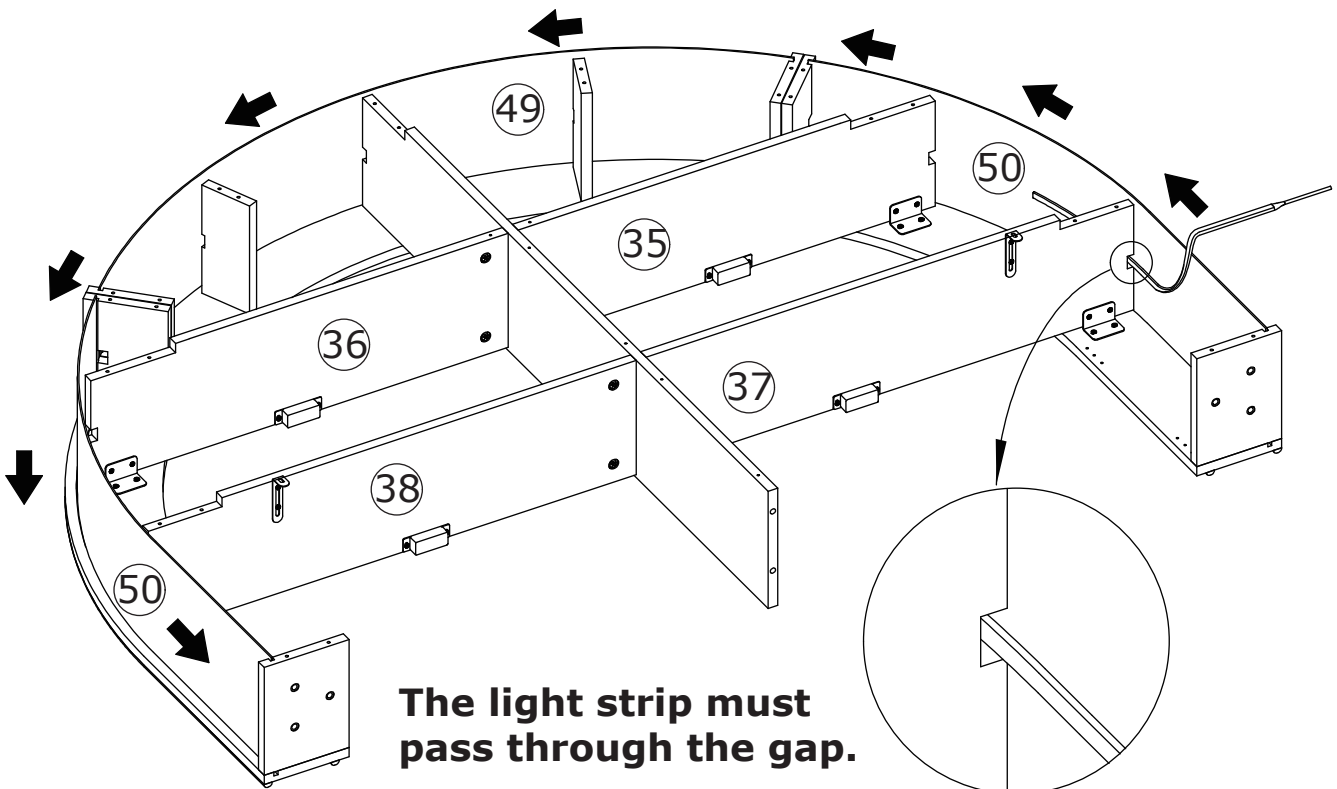
Insert plates 49 and 50 into the available slots.



38

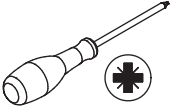
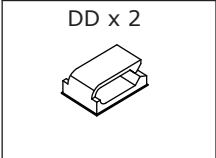


1. The diagram shows LED strip light 62. Following the arrows, begin by installing the longest LED strip first.



2. Thread the light strip through the plates' cutout as shown in the diagram, guiding it along the curved surface to form a half-circle.

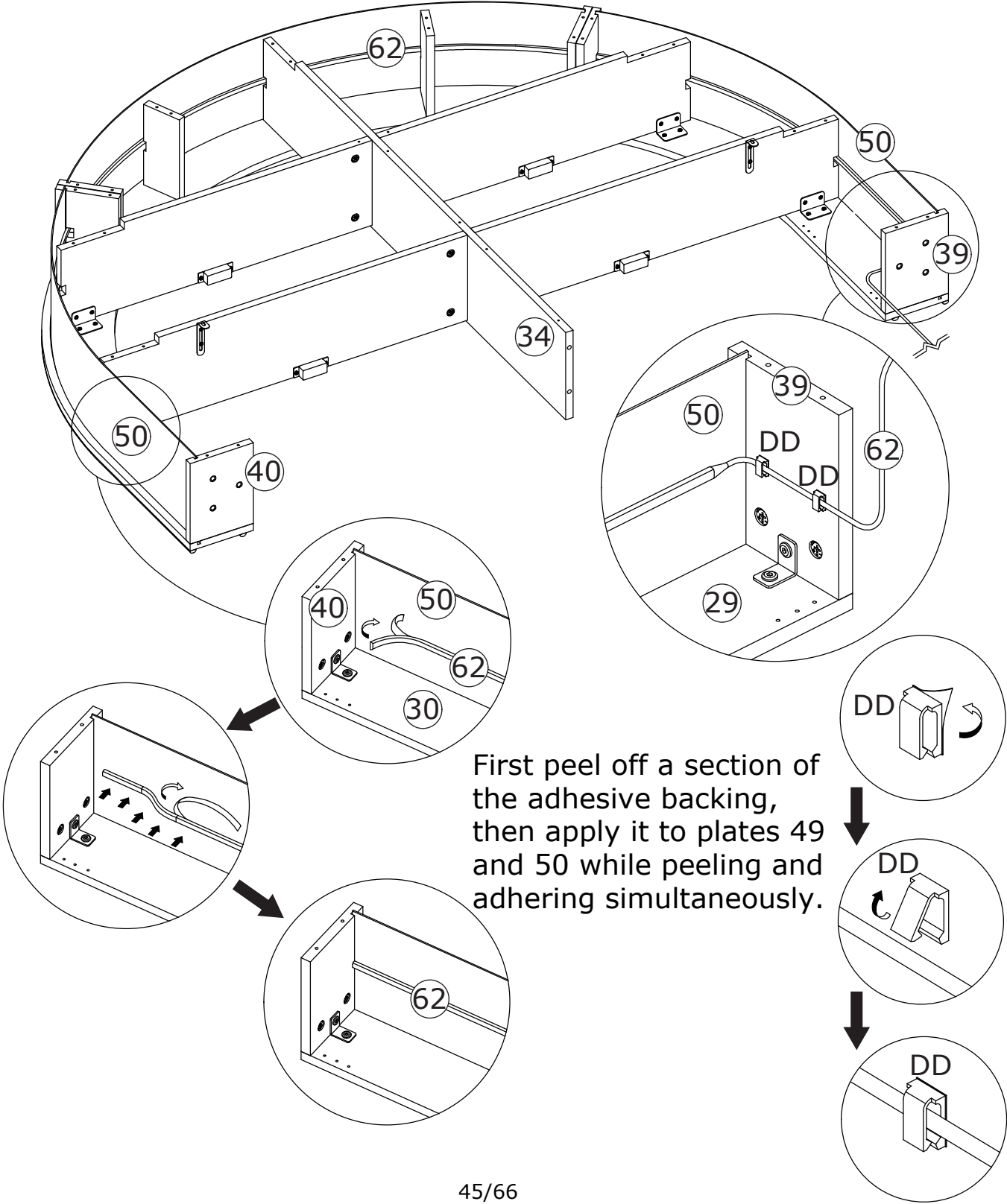
39



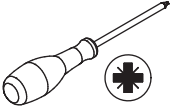
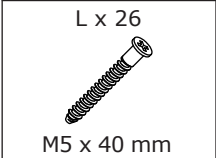
3. After wrapping the light strip halfway around, peel off the backing adhesive on the reverse side and affix it to plates 50 and 49.

Note: Press firmly during application to prevent adhesive failure later.

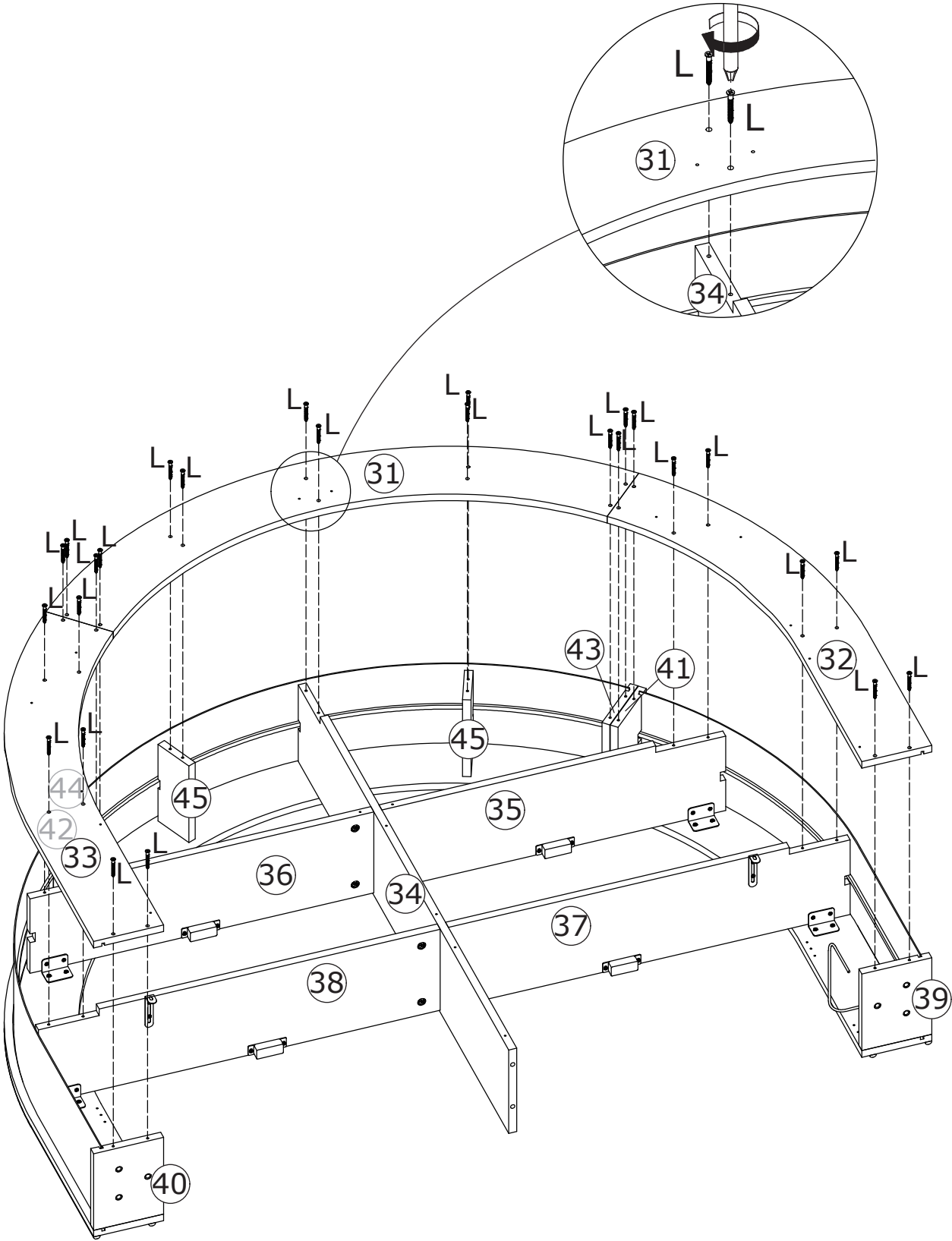
4. Secure the light strip cable using DD-sized accessories. Refer to the diagram below for installation instructions.



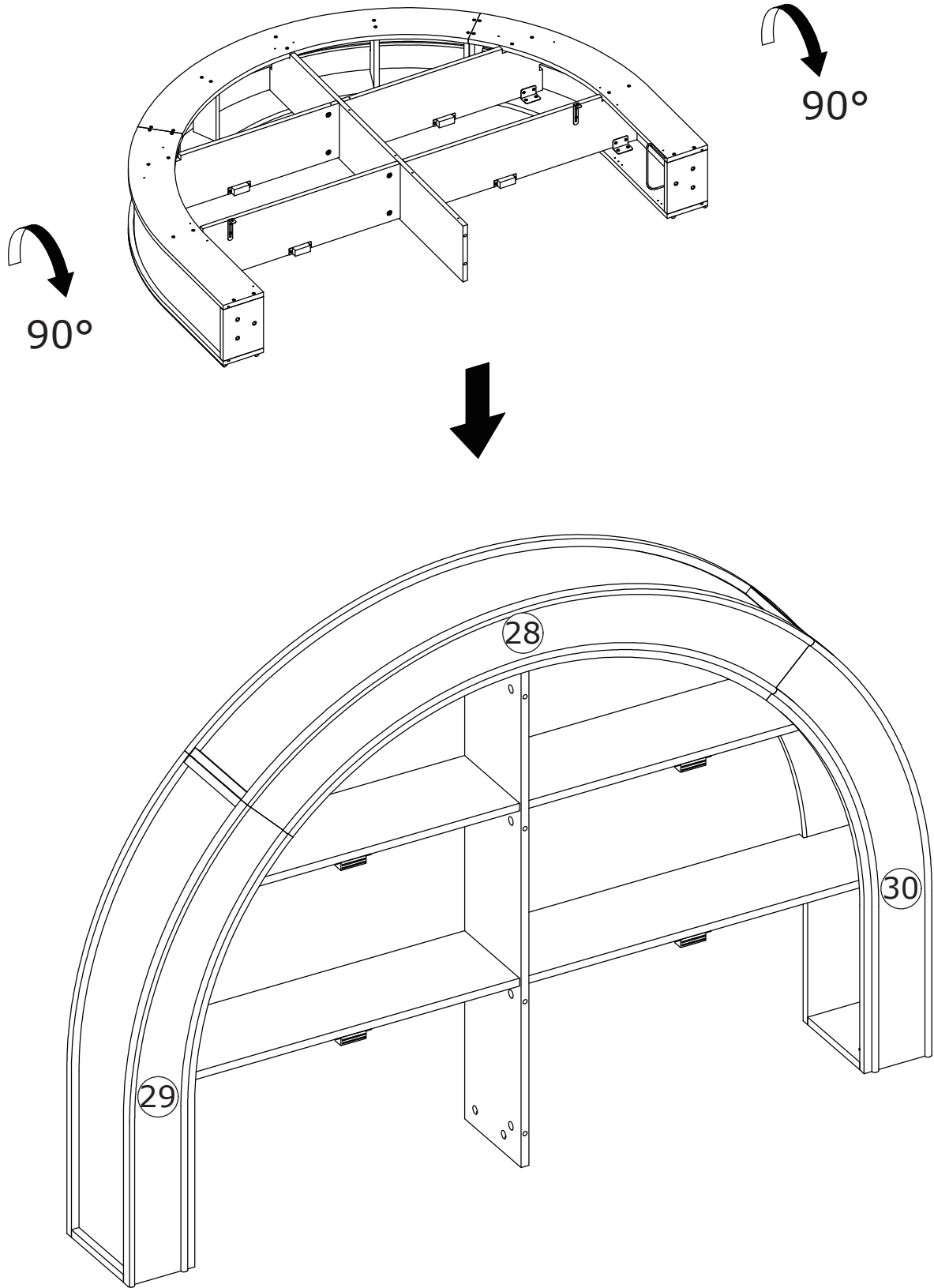
40



Secure plates 31, 32, and 33 to the assembly unit using screws (L).



41



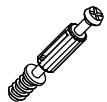
42

B x 4

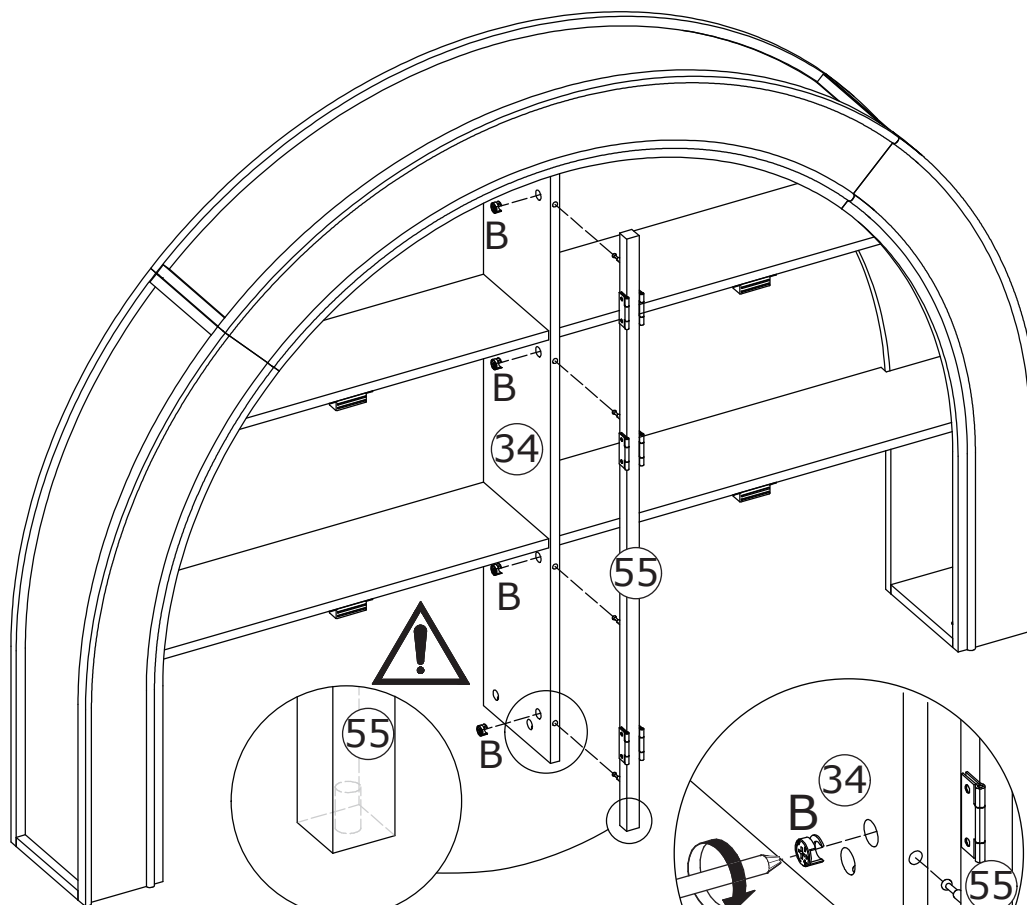
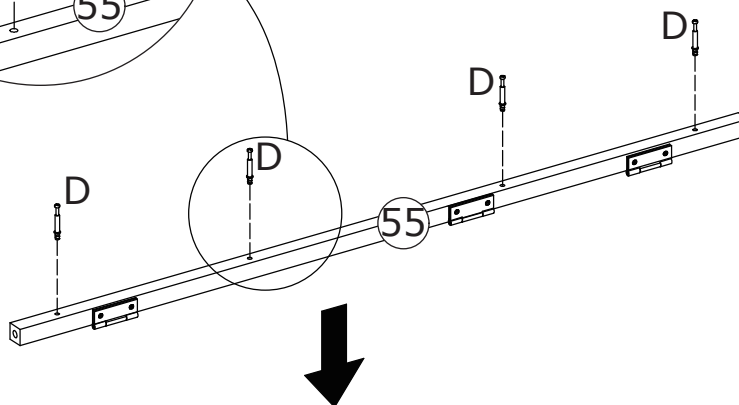
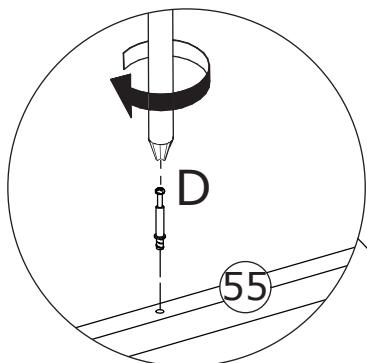
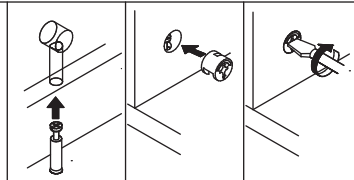
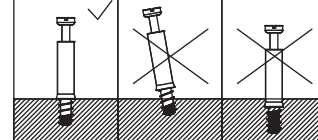
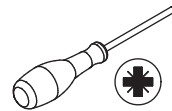


Ø15 x 10 mm

D x 4



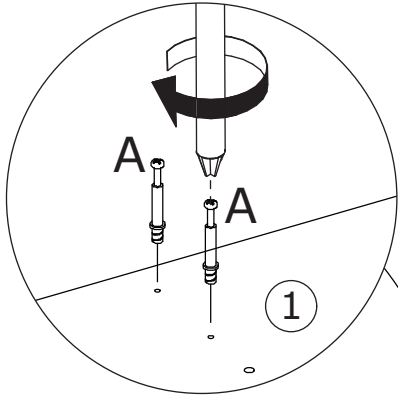
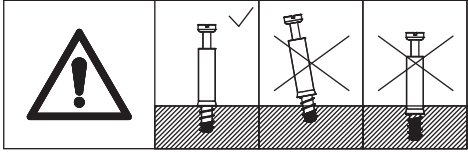
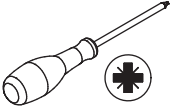
M6 x 42 mm



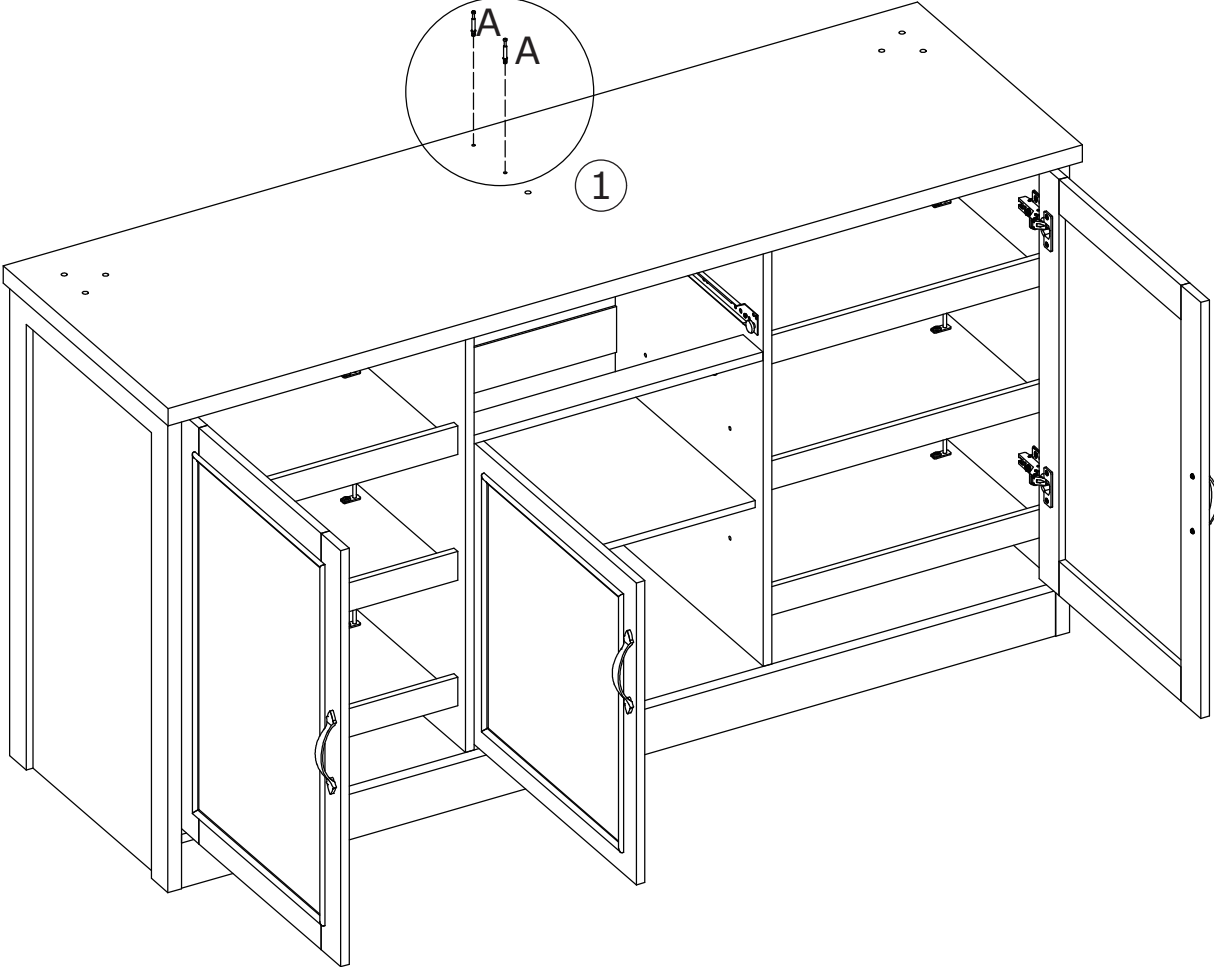
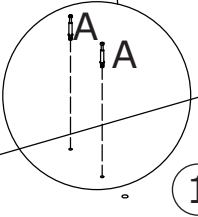
Screw eccentric rod (D) onto plate 55.
Connect plate 55 to plate 34, tighten by
turning cam locks (B) clockwise.

43




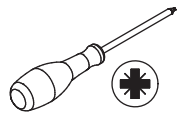

A x 2
M5 x 42 mm

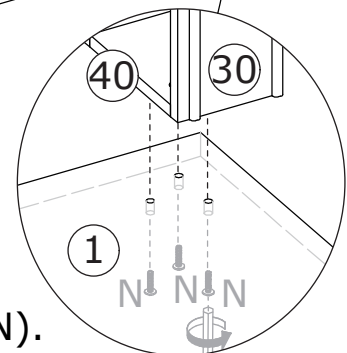
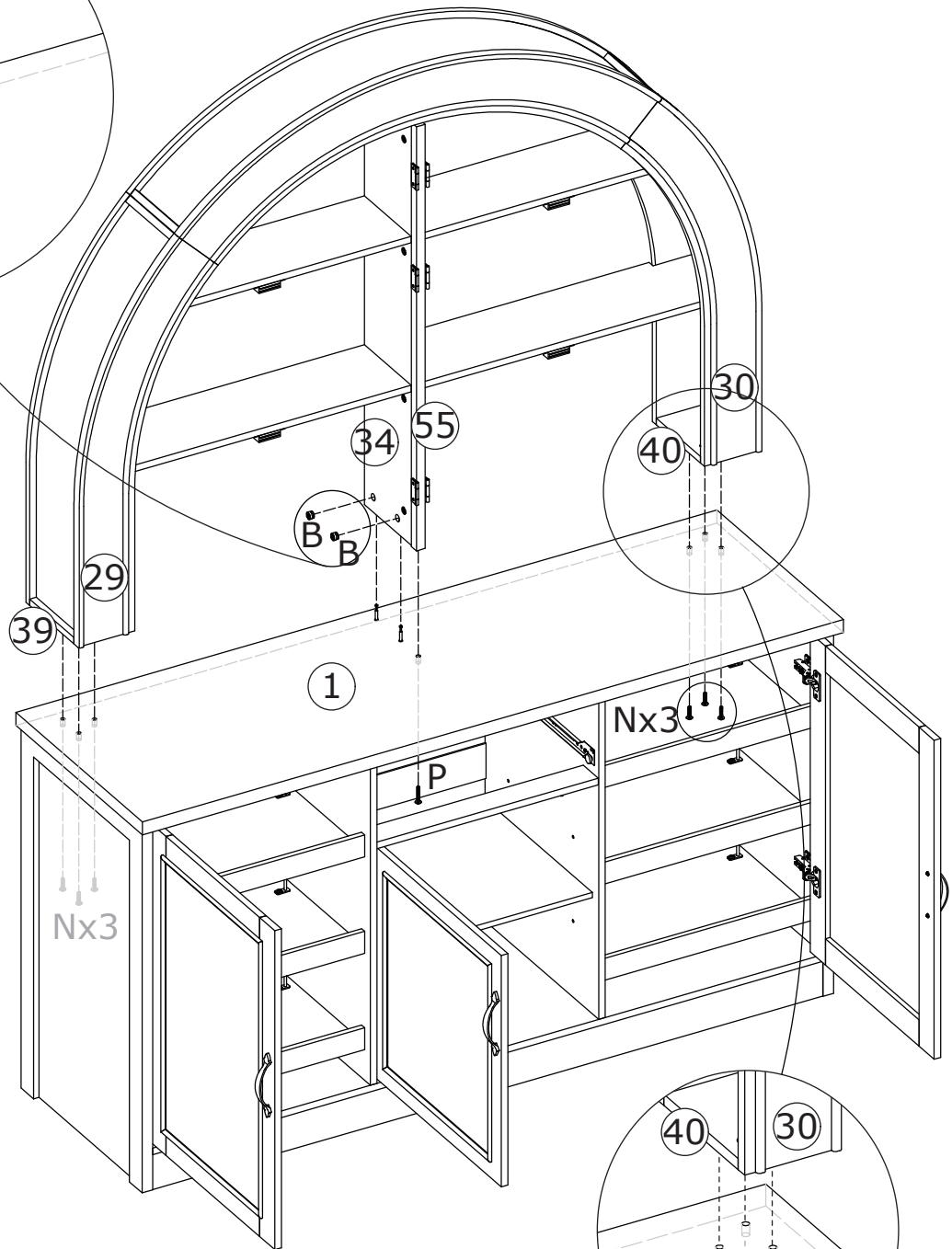
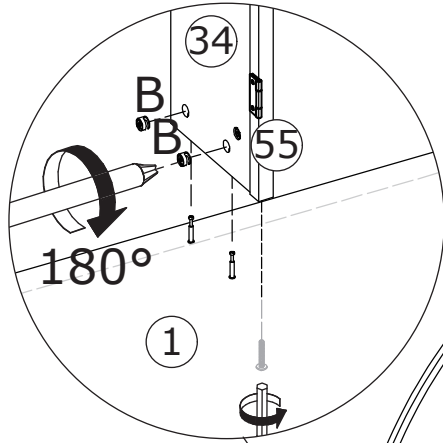
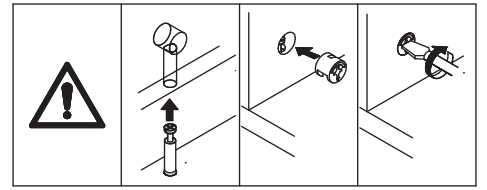


Screw eccentric rods (A) onto plate 1.



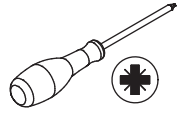
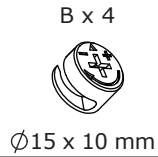
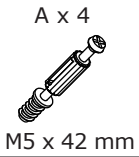
44

<p>B x 2</p>  <p>Ø15 x 10 mm</p>	<p>N x 6</p>  <p>M6 x 25 mm</p>	<p>P x 1</p>  <p>M6 x 35 mm</p>	 
-------------------------------------------------------------------------------------------------------------------	------------------------------------------------------------------------------------------------------------------	------------------------------------------------------------------------------------------------------------------	-------------------------------------------------------------------------------------------------------------------------------------------------------------------------

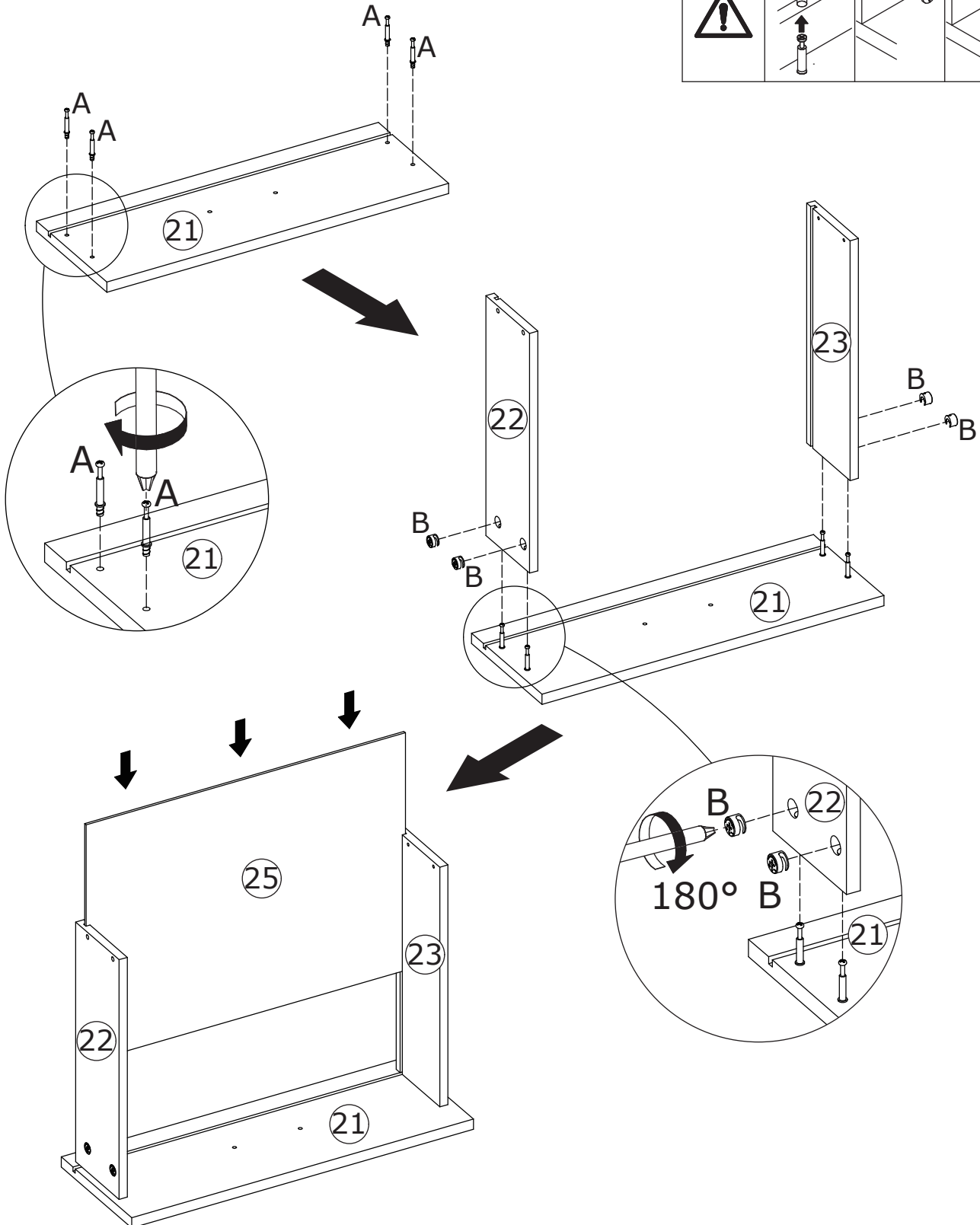
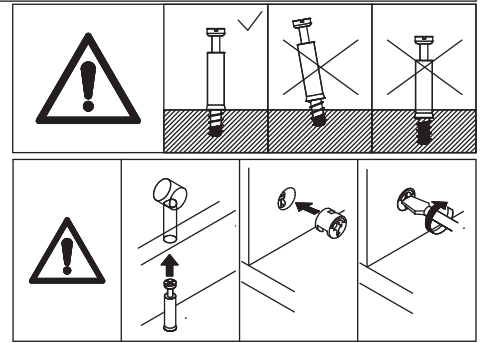


Attach plate 34 to plate 1, tighten by turning cam locks (B) clockwise.
 Secure plates 39 and 40 to plate 1 using screws (N).
 Secure plate 55 to plate 1 using screw (P).

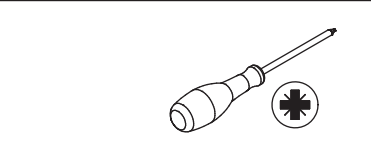
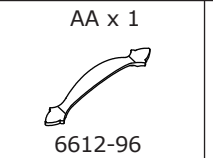
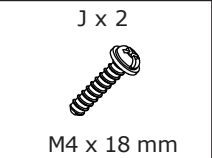
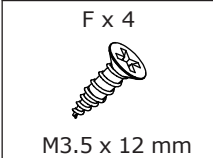
45



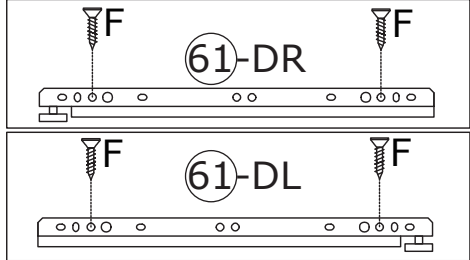
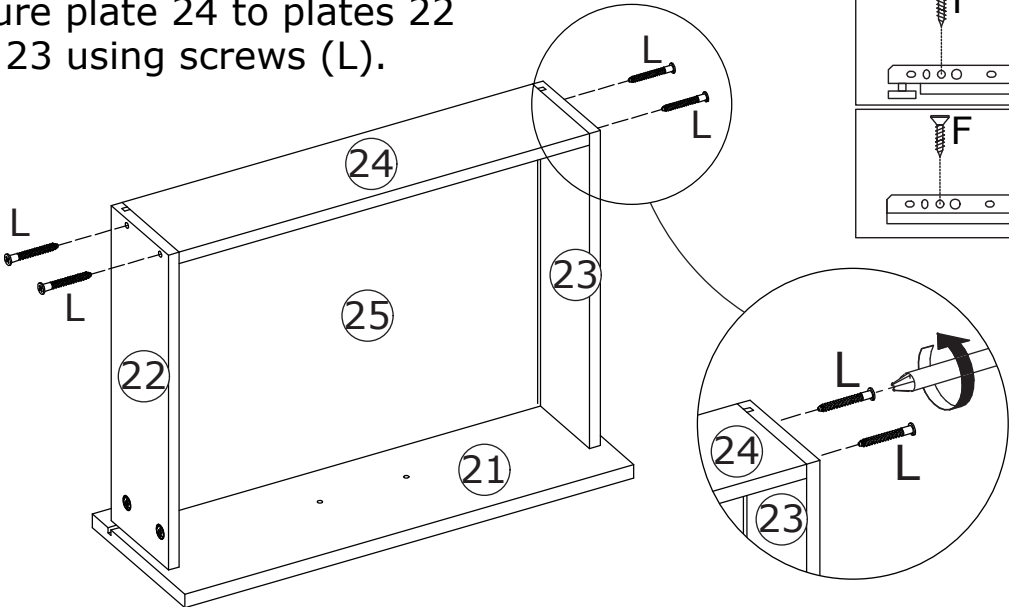
Screw eccentric rods (A) onto plate 21.
Connect plates 22 and 23 to plate 21, tighten
by turning cam locks (B) clockwise.
Insert plate 25 along the available slots.



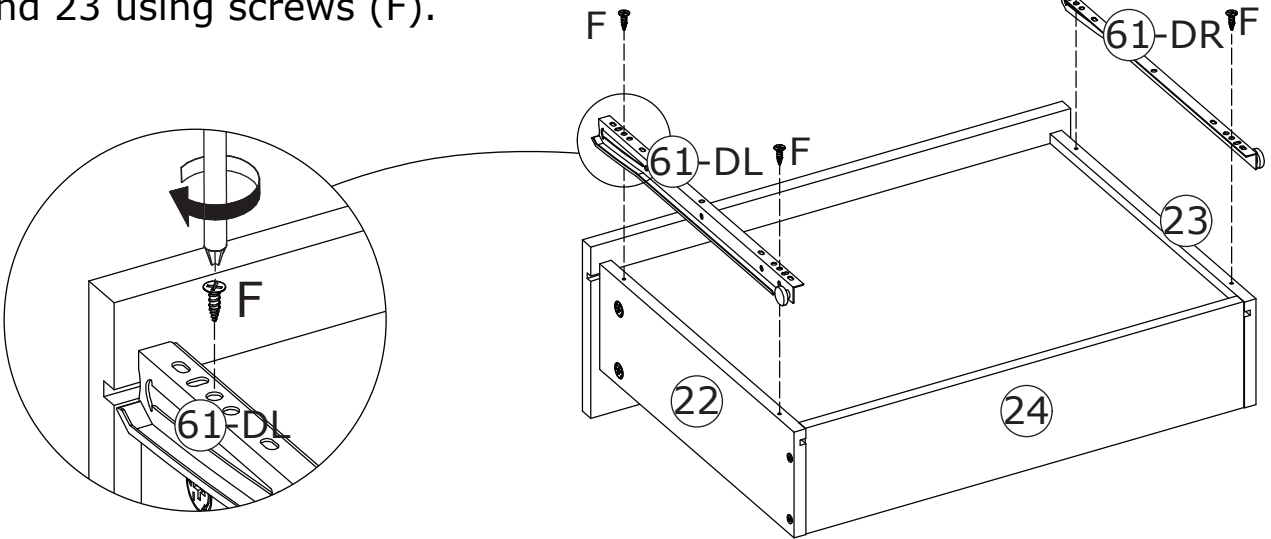
46



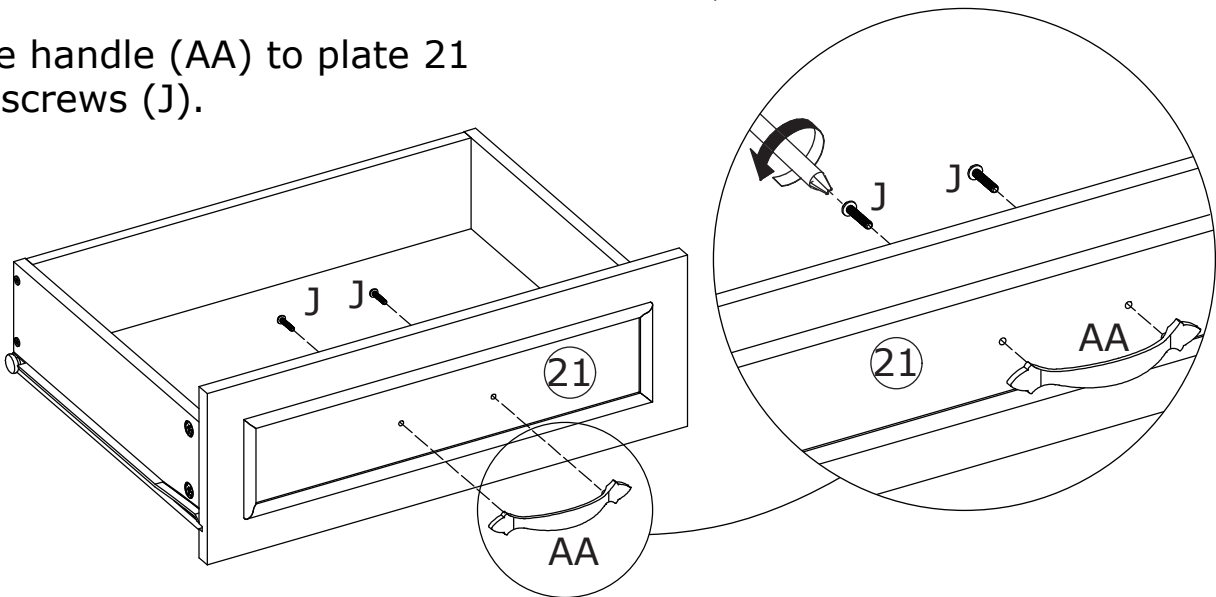
Secure plate 24 to plates 22 and 23 using screws (L).



Secure slide rails (61-DL) and (61-DR) to plates 22 and 23 using screws (F).

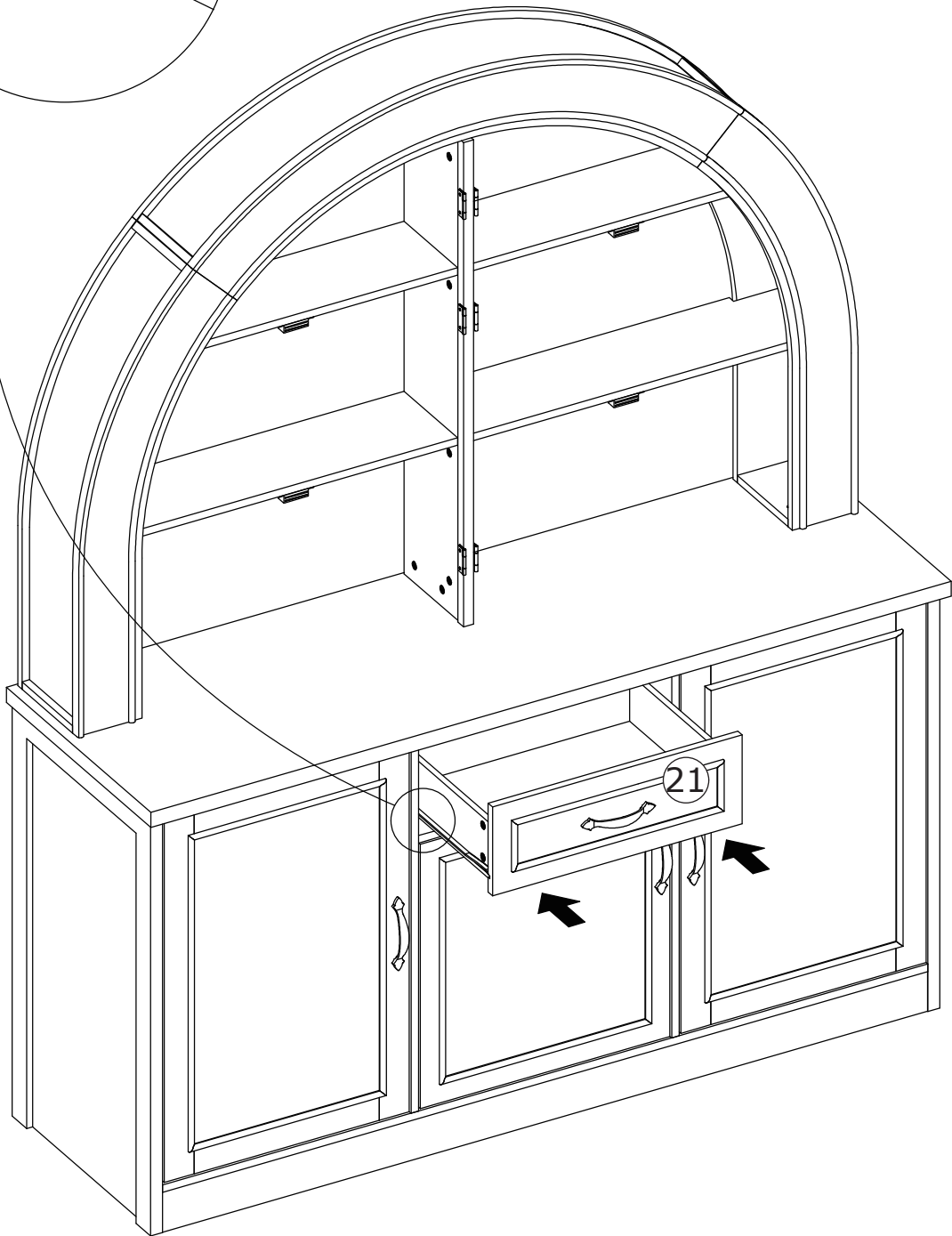
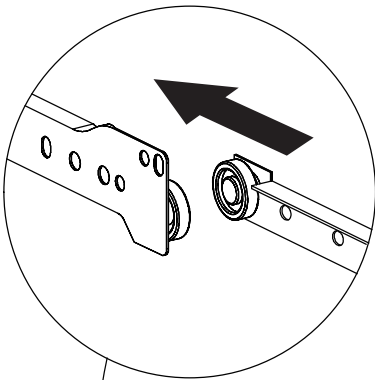


Secure handle (AA) to plate 21 using screws (J).



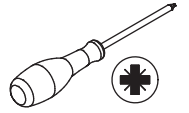
47

Install the drawer as shown in the diagram.



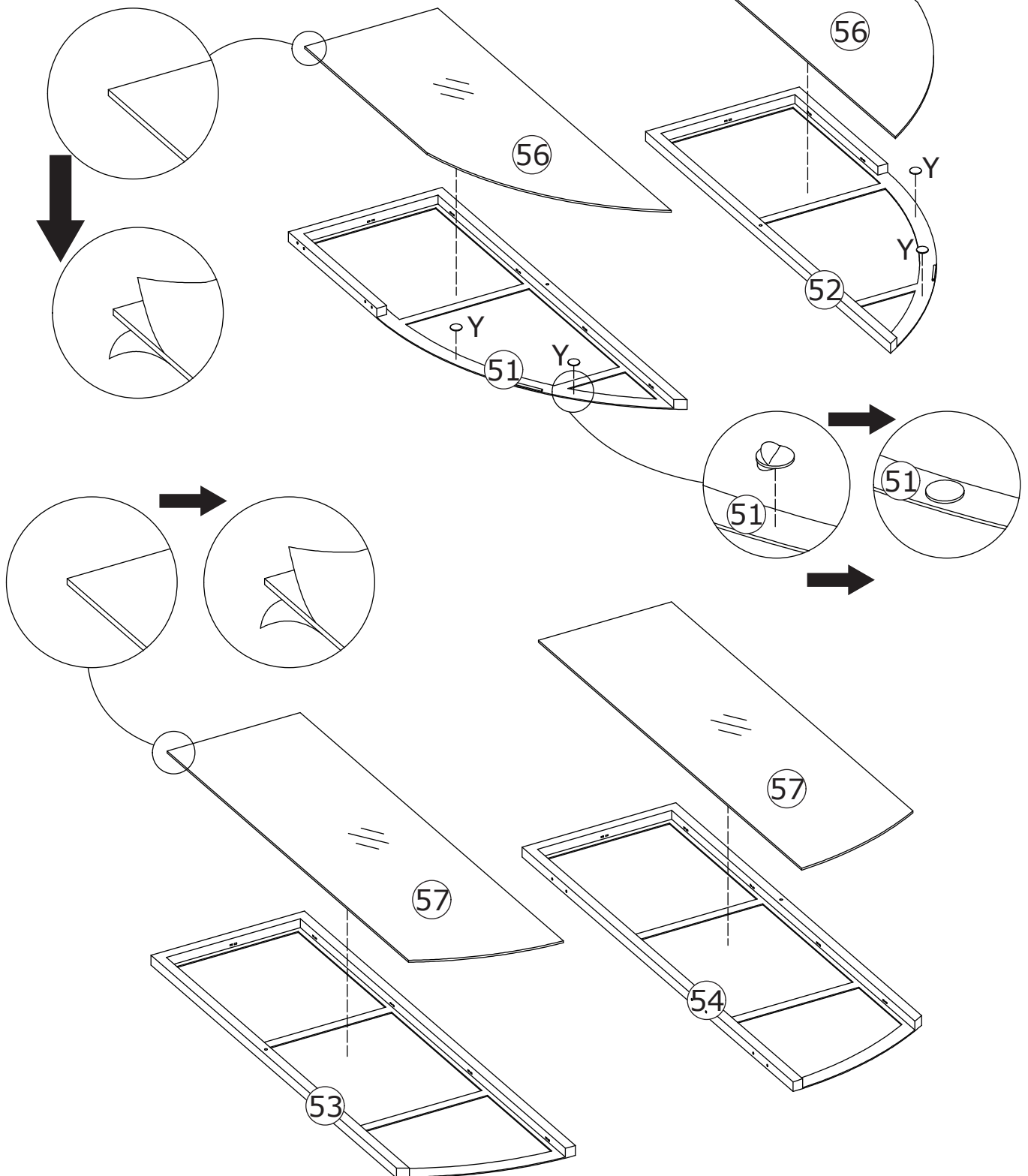
48

Y x 4



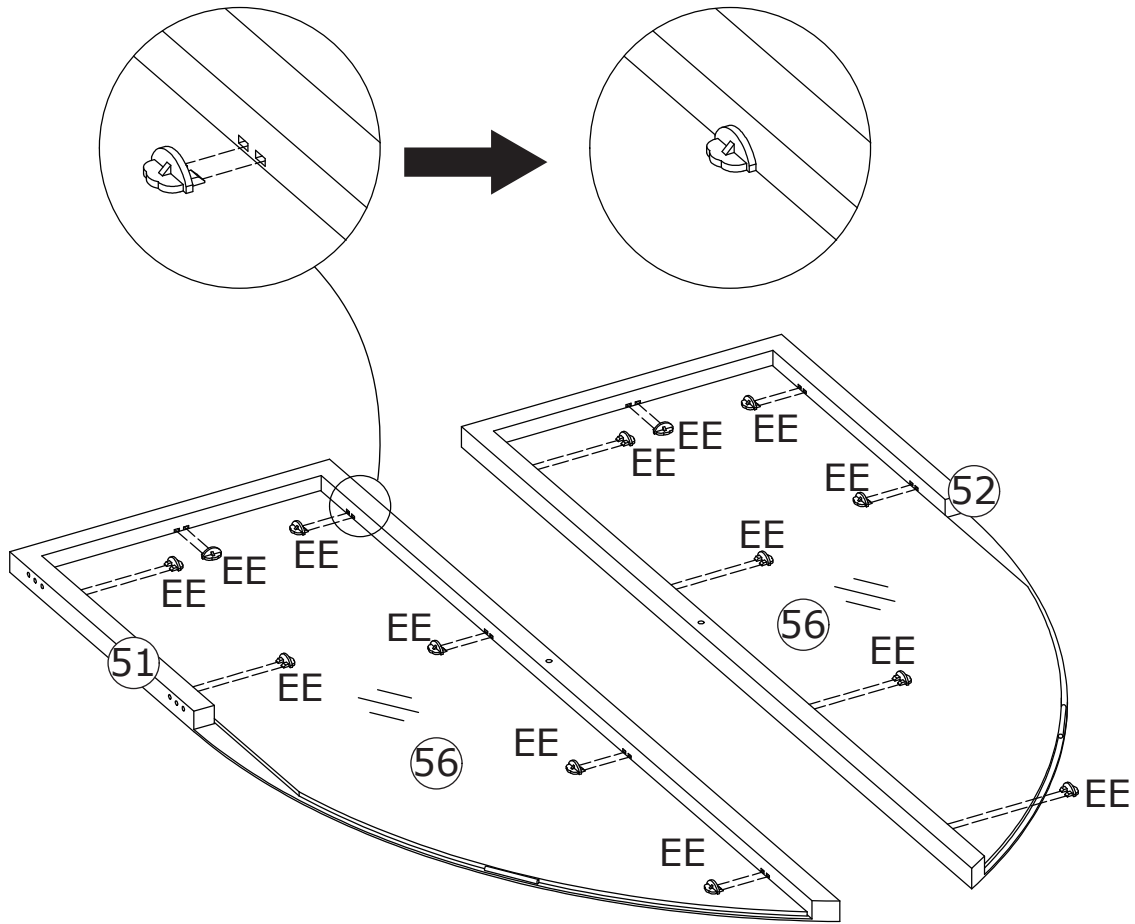
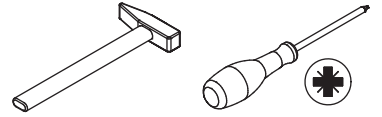
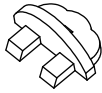
Note: Before installing the acrylic panels, remove the protective film from both sides.

First install the accessories (Y) onto door plates 51, 52. Then install acrylic plates 56 and 57 onto door plates 51, 52, 53, and 54 respectively.

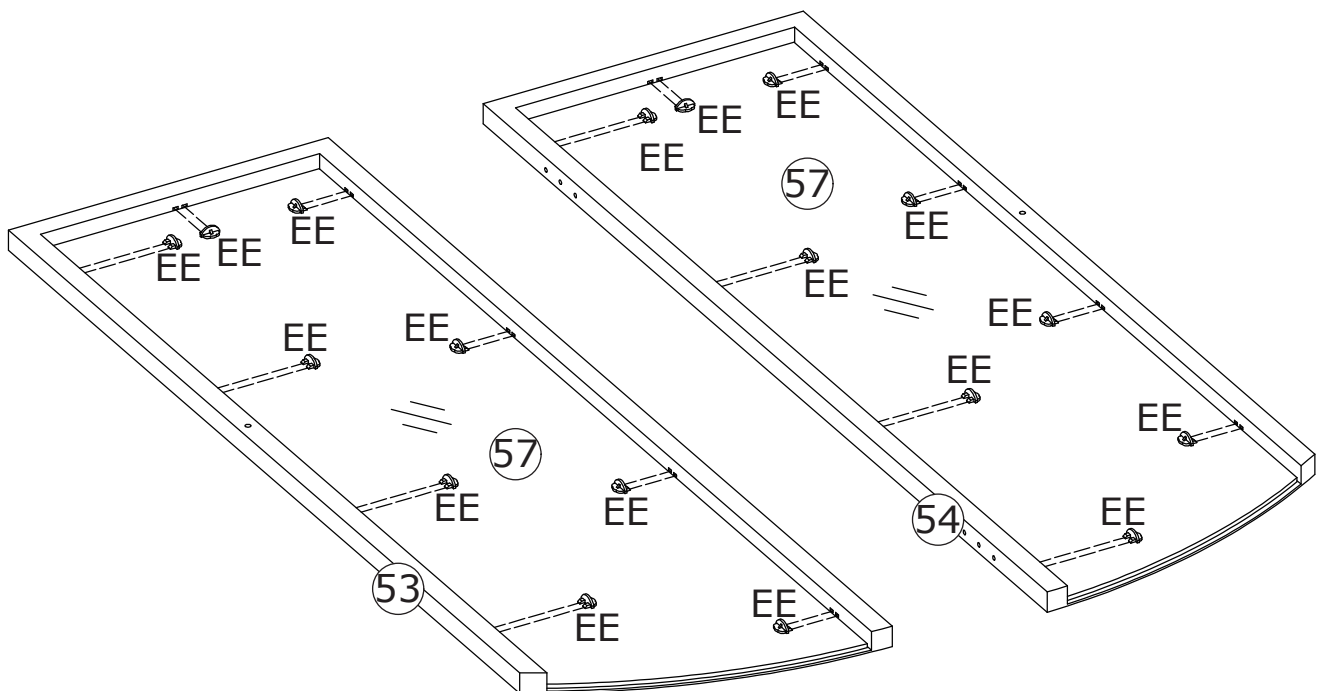


49

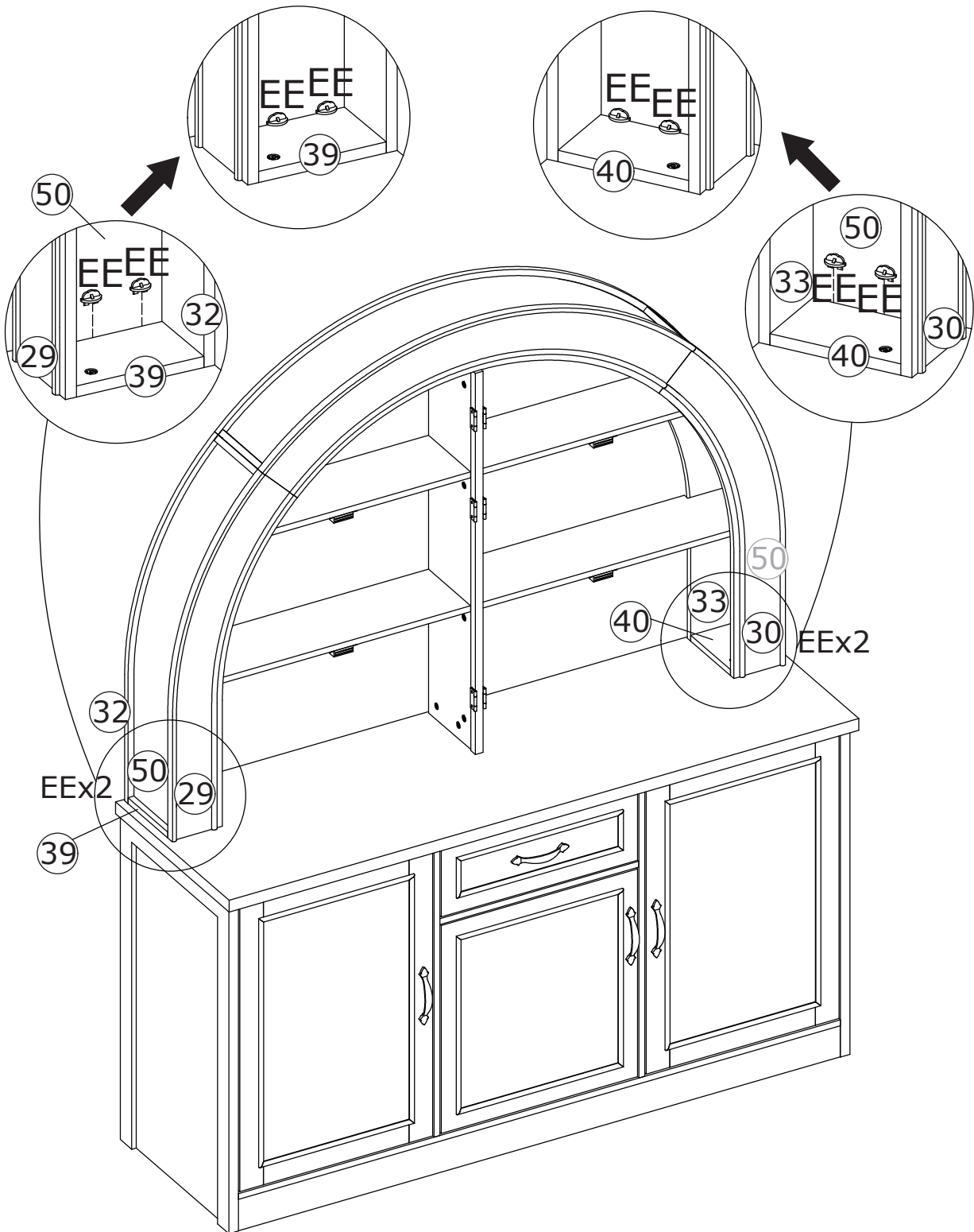
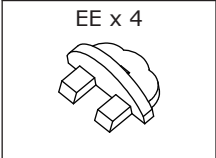
EE x 32



Secure acrylic plates 56 and 57 to plates 51, 52, 53, and 54 using accessories (EE).



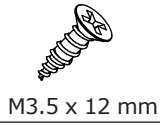
50



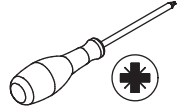
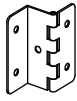
Install the accessories (EE) onto plates 39 and 40.

51

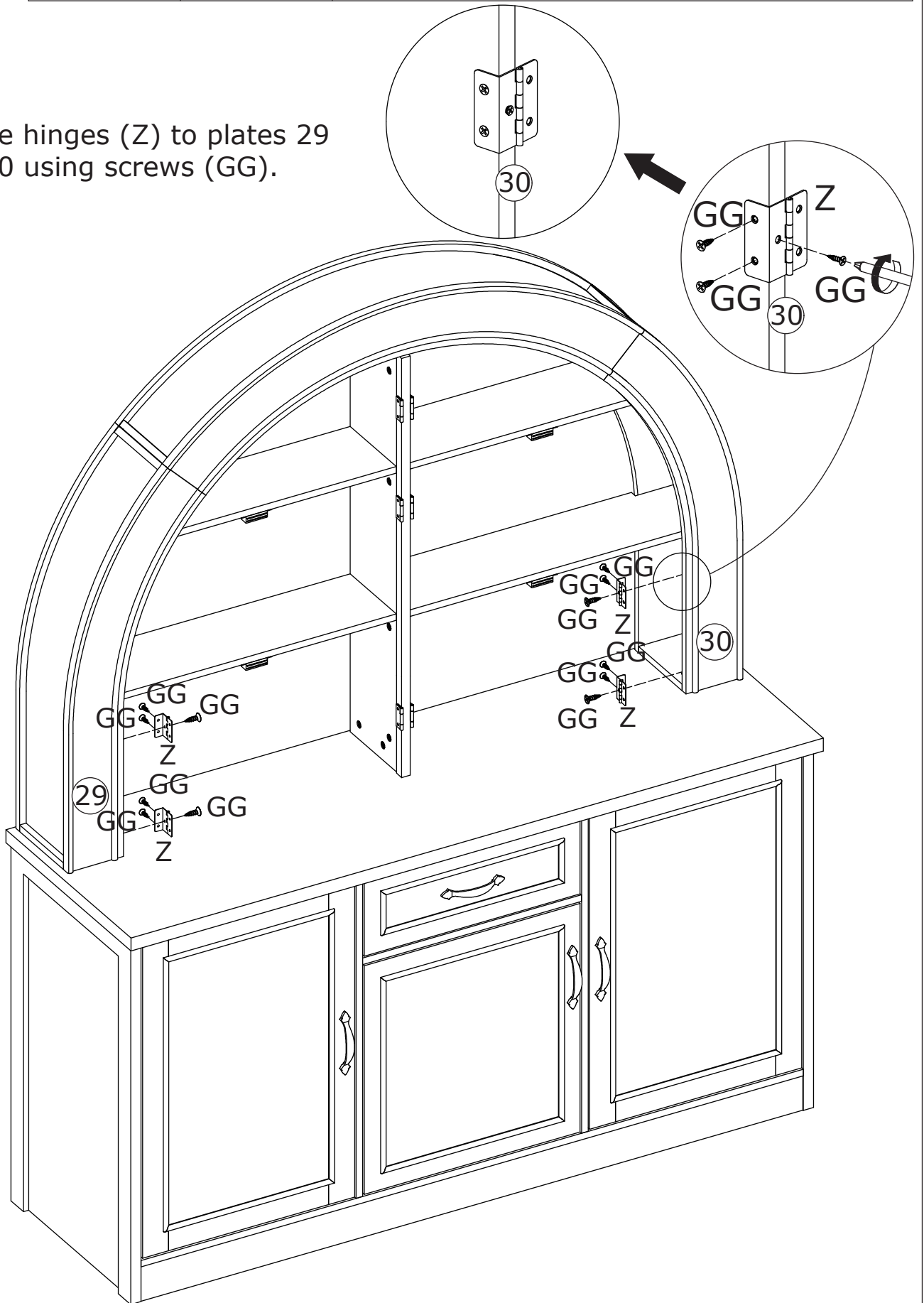
GG x 12



Z x 4



Secure hinges (Z) to plates 29 and 30 using screws (GG).

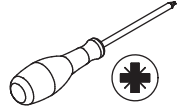


52

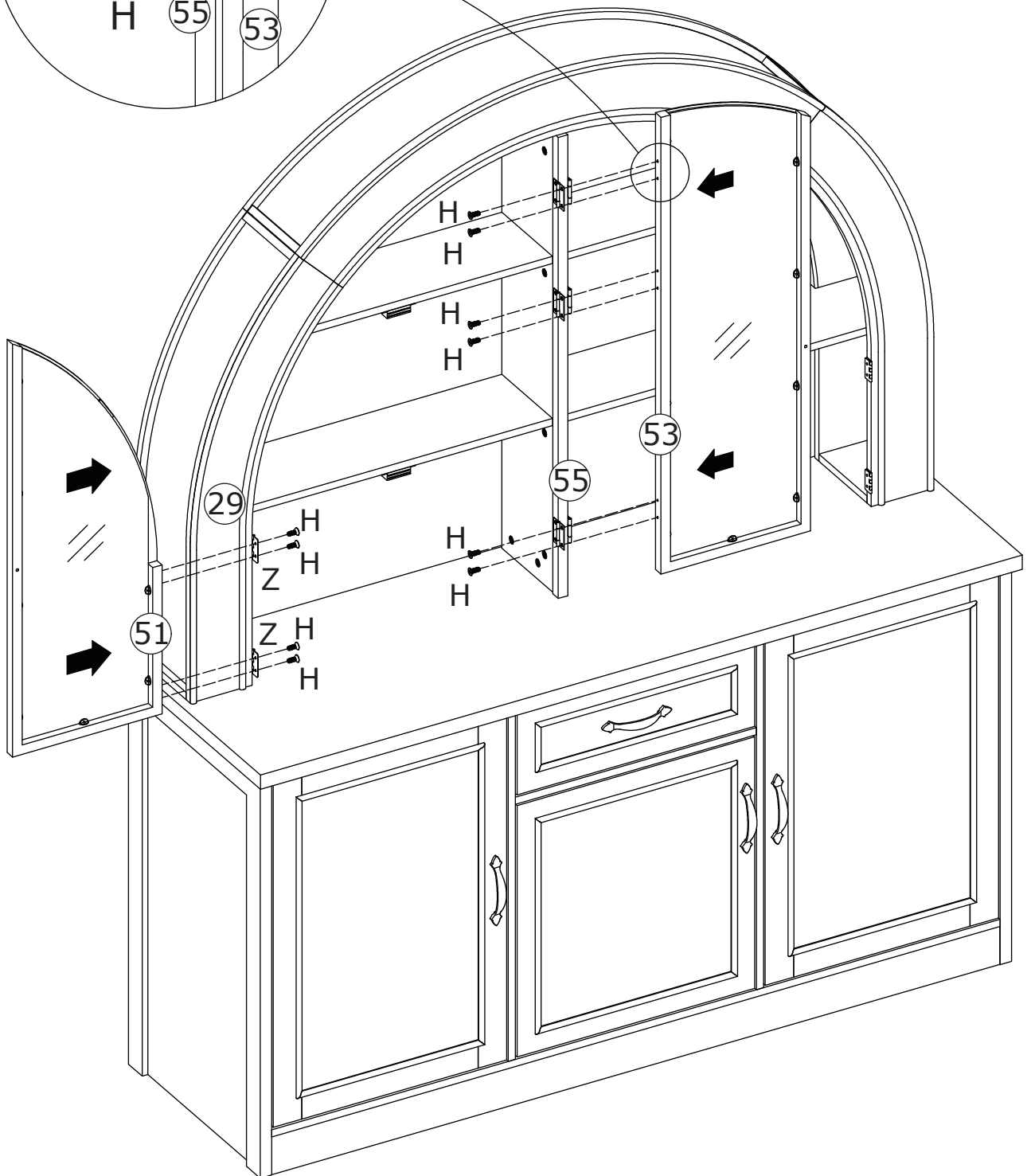
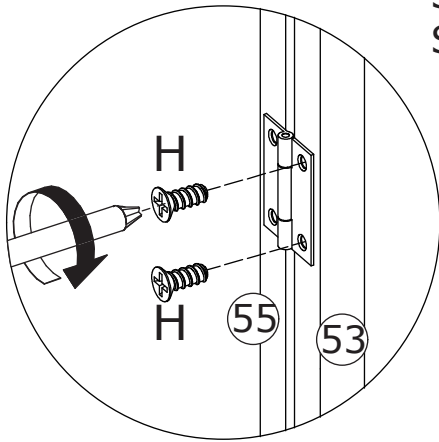
H x 10



M4 x 10 mm



Secure plate 51 to plate 29 using screws (H).
Secure plate 53 to plate 55 using screws (H).

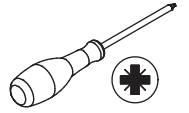


53

H x 10

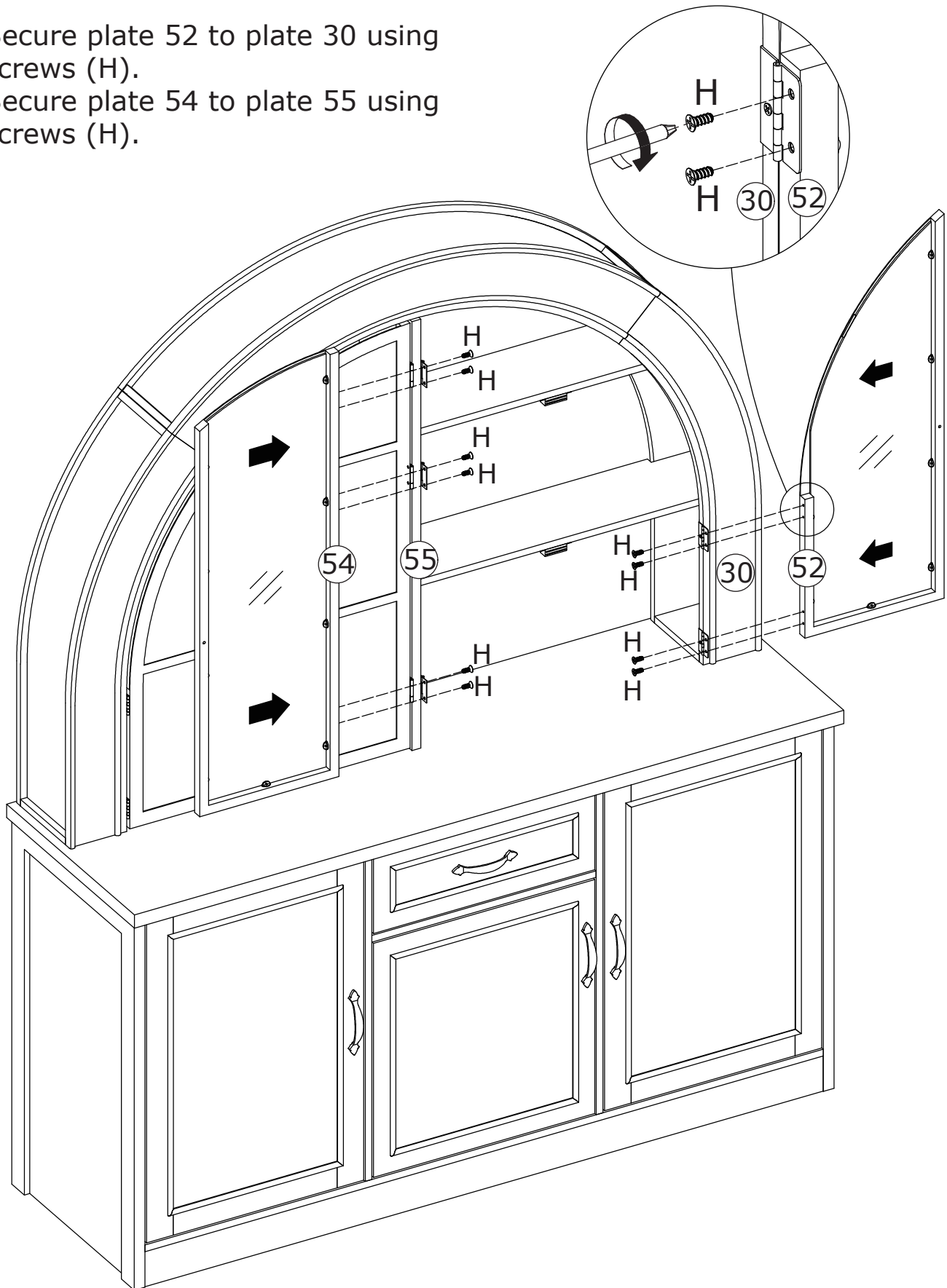


M4 x 10 mm

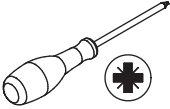
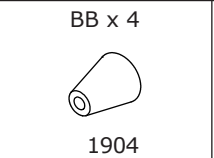


Secure plate 52 to plate 30 using screws (H).

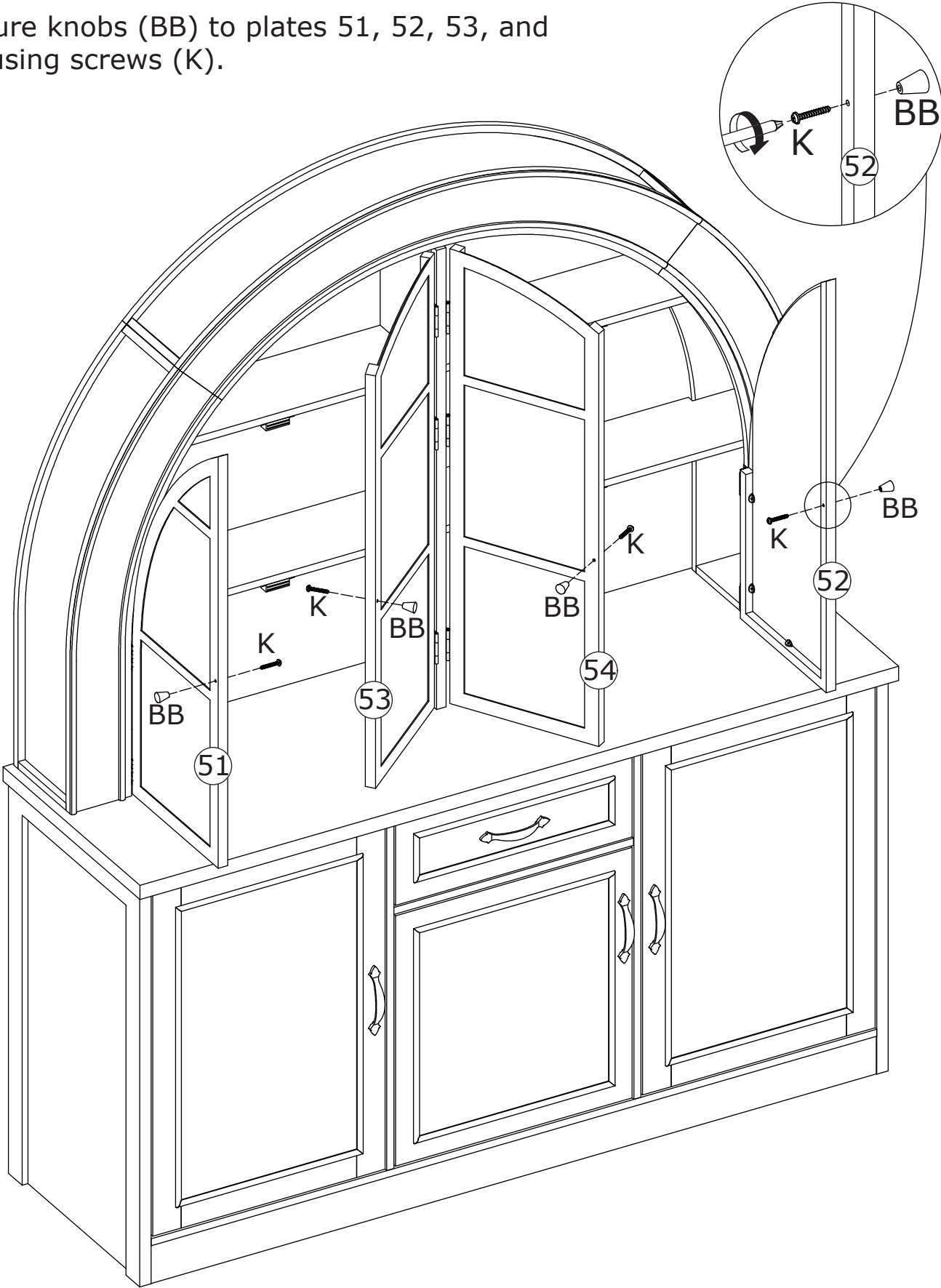
Secure plate 54 to plate 55 using screws (H).



54



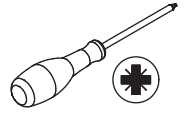
Secure knobs (BB) to plates 51, 52, 53, and 54 using screws (K).



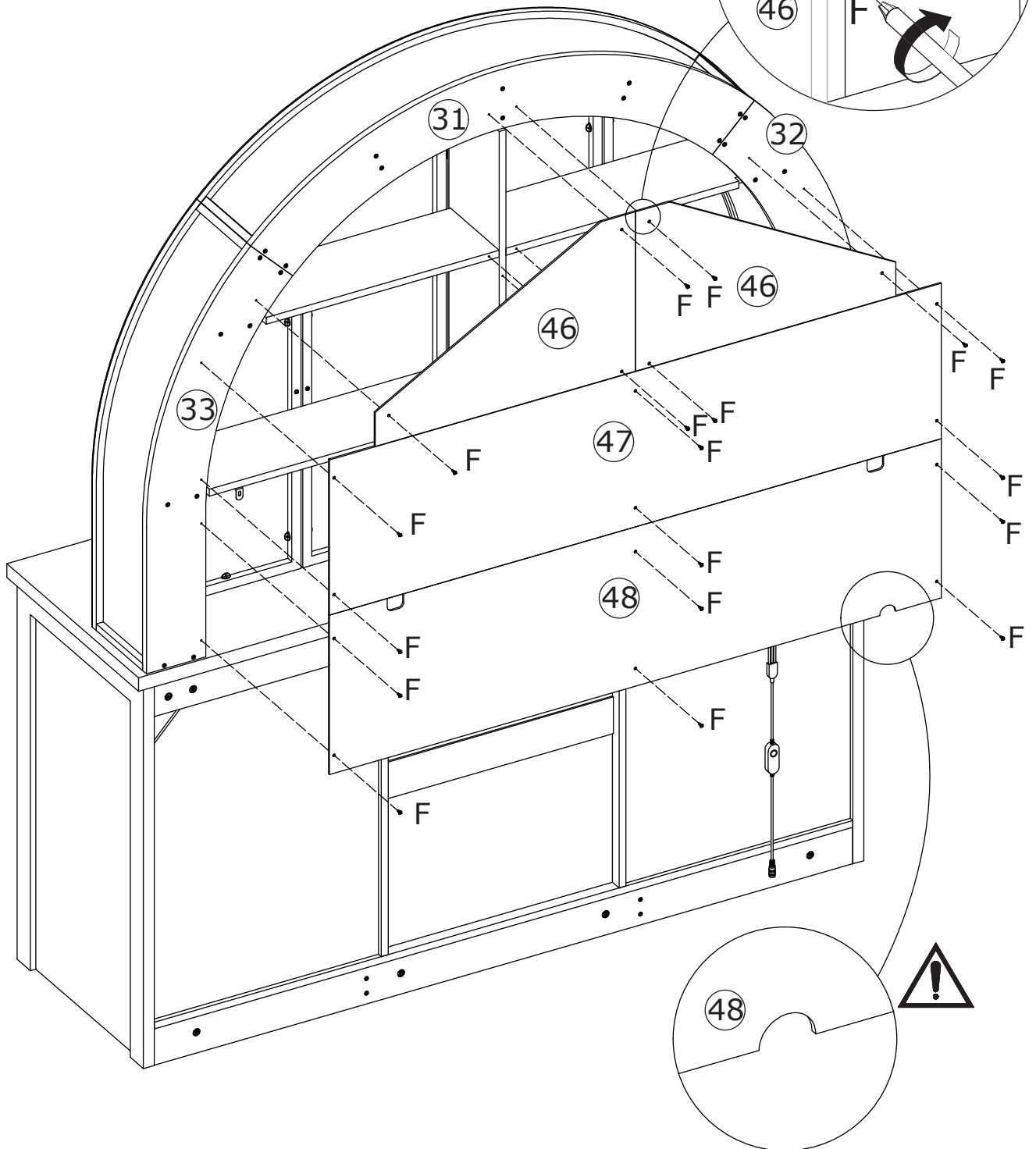
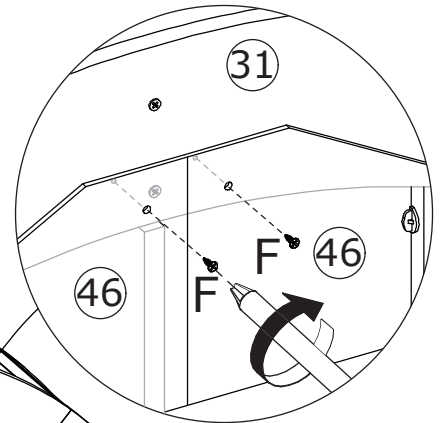
55

F x 18

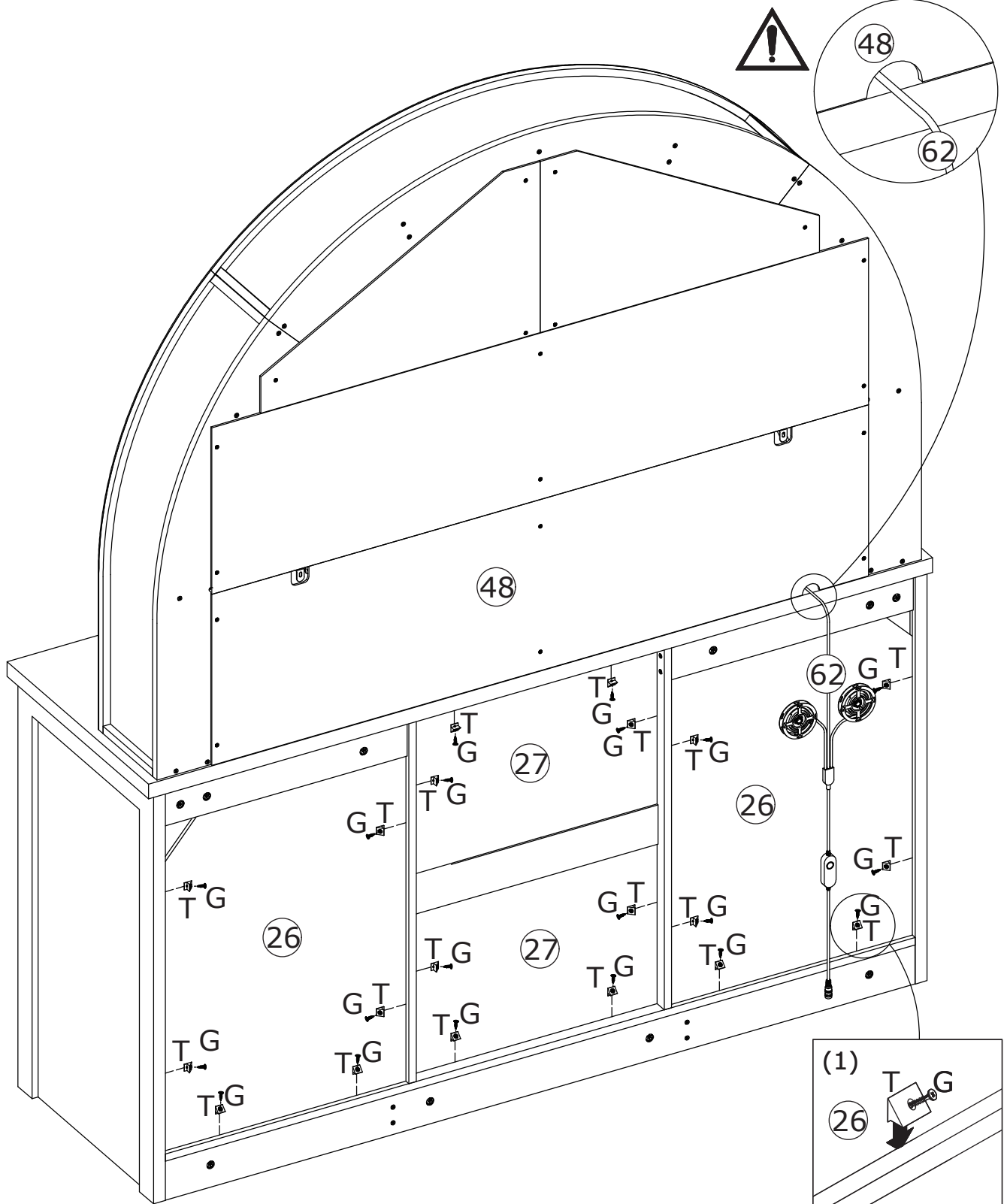
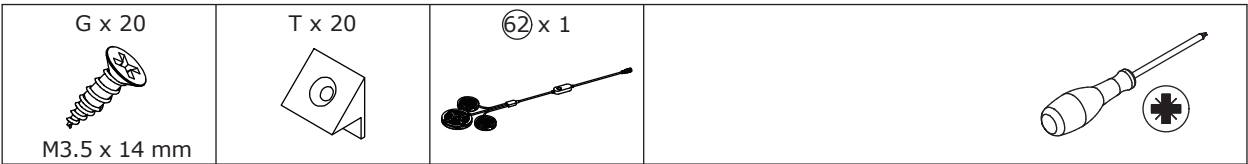
M3.5 x 12 mm



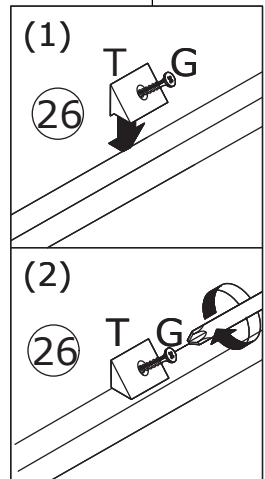
Secure back plates 46, 47, and 48 to the assembly unit using screws(F)



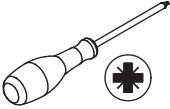
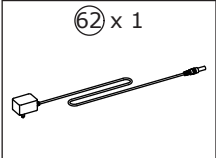
56



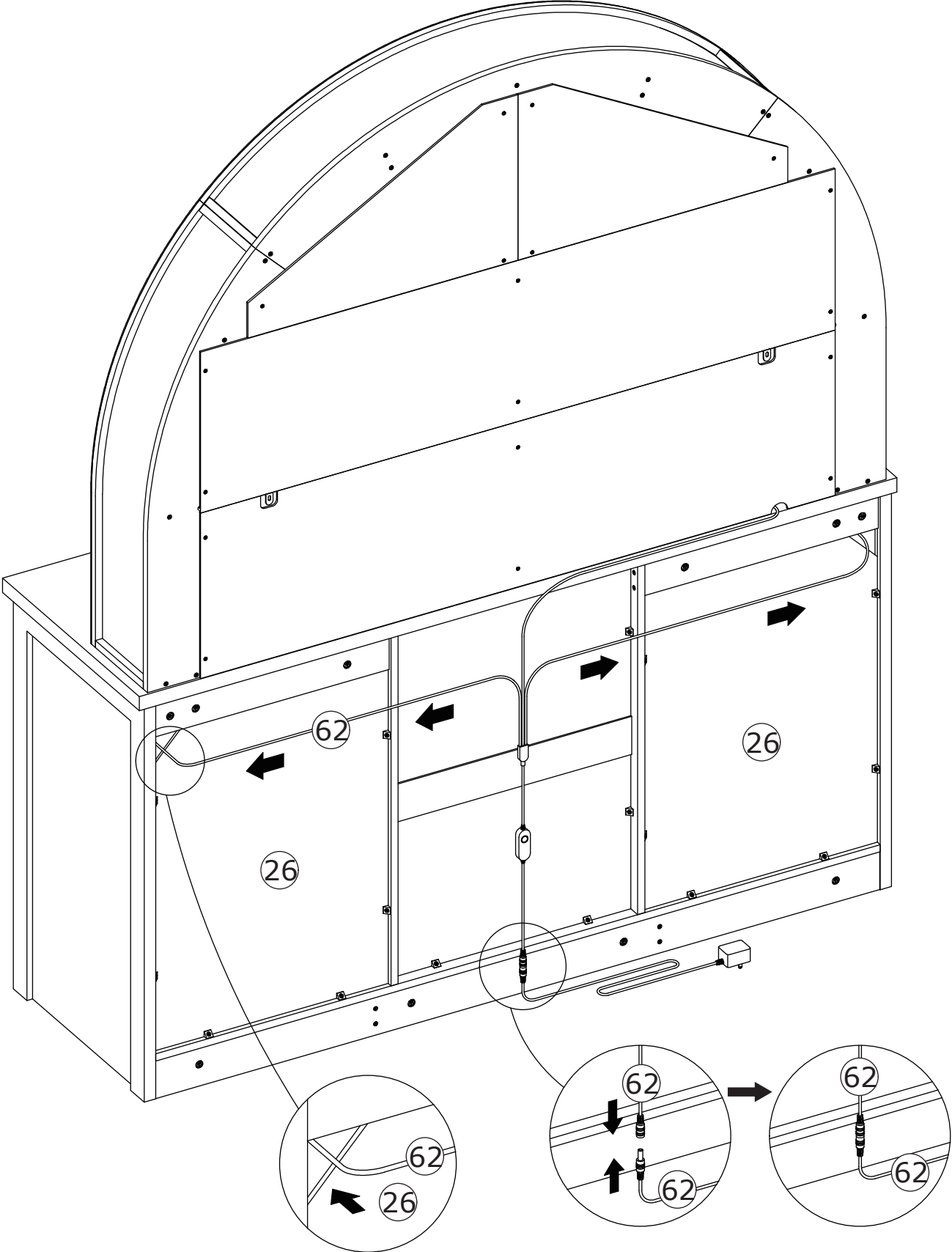
Insert clips (T) into the slots on the back panel and secure them with screws (G).



57

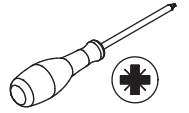


Thread LED 62 and two short light strips through backing plate 26, preparing for the next installation step.

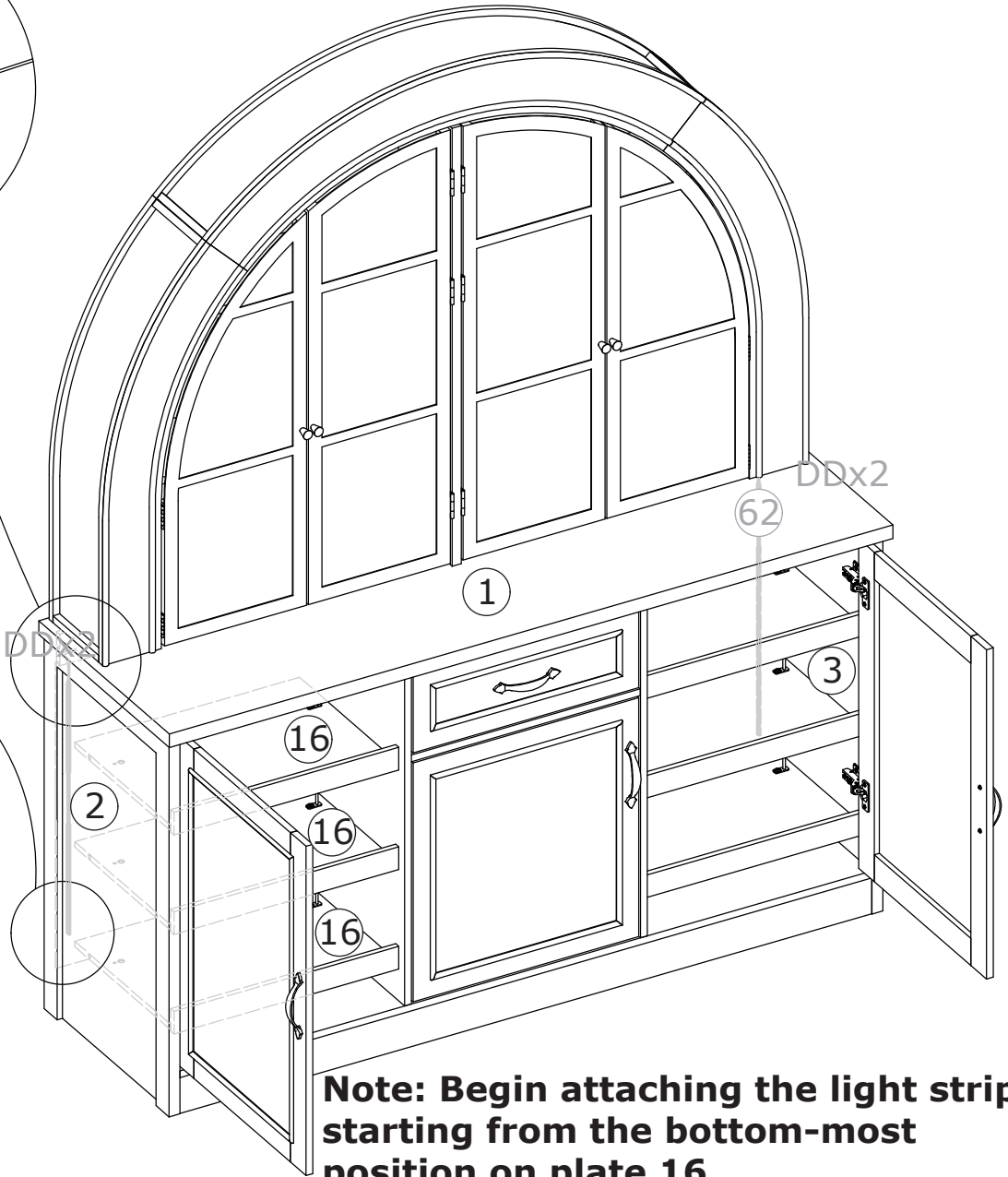
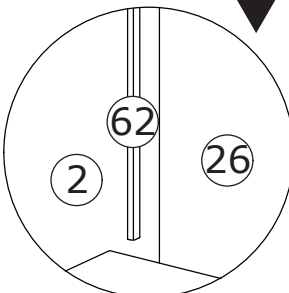
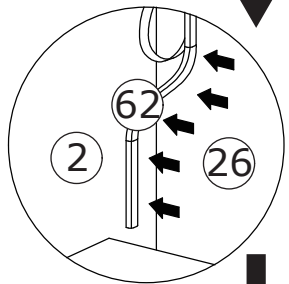
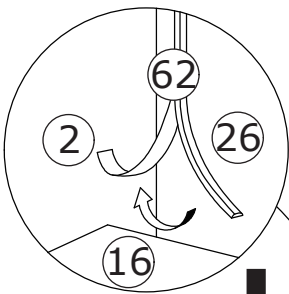
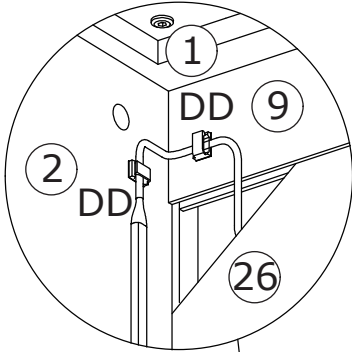
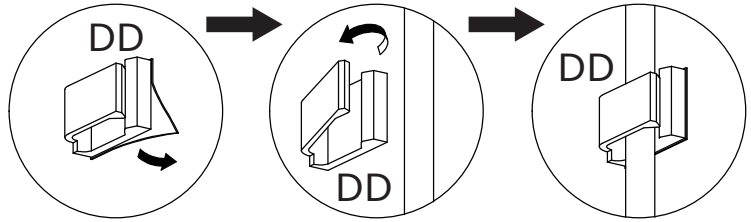


58

DD x 4



Secure the LED strip cable using buckles (DD).

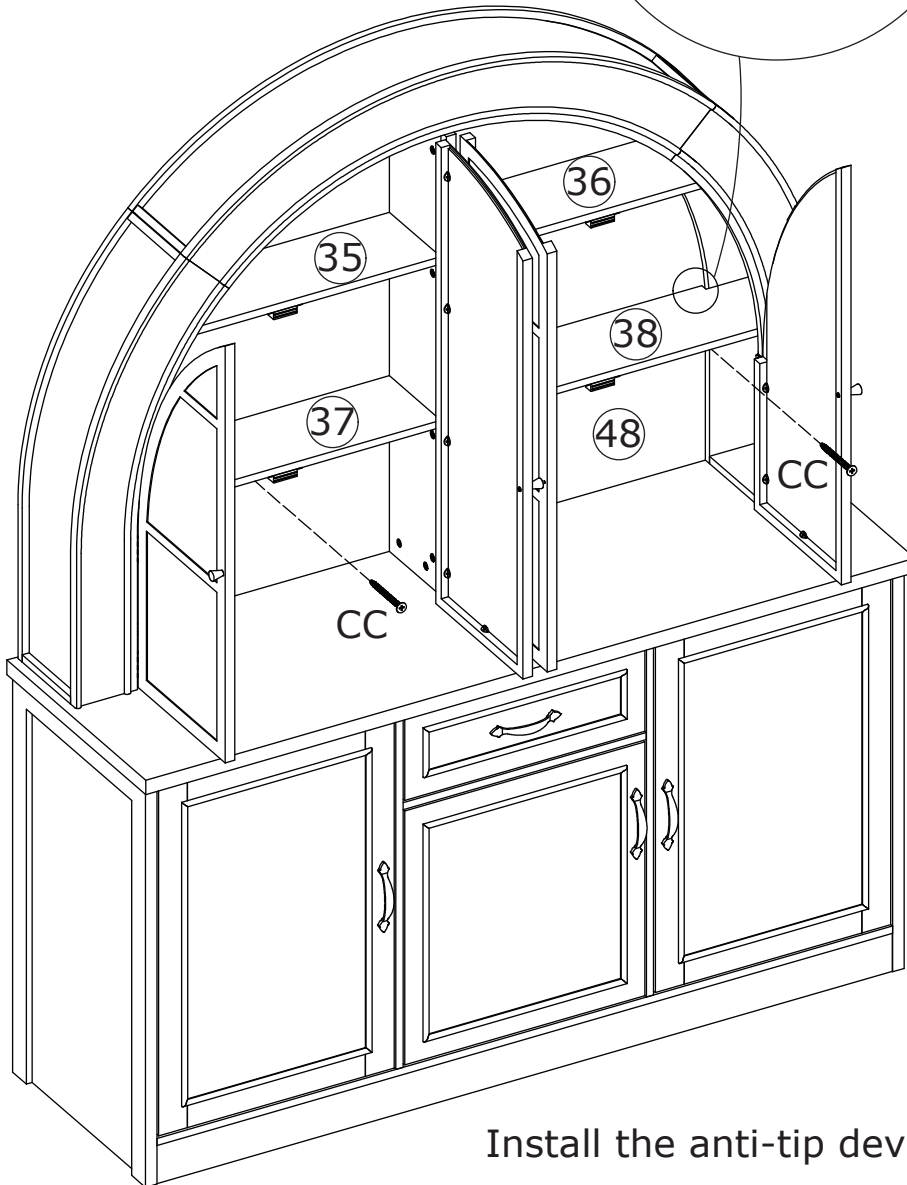
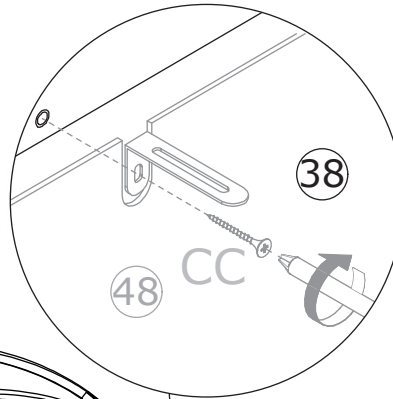
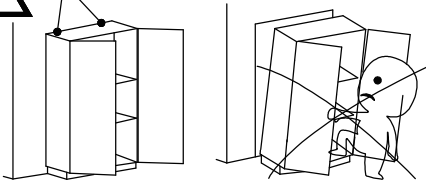
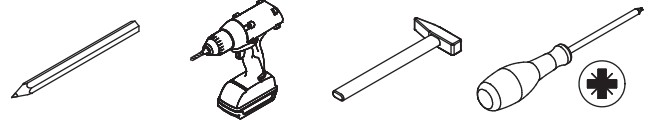


Note: Begin attaching the light strip starting from the bottom-most position on plate 16.

Press firmly while waiting for the adhesive to set. First peel off a section of the adhesive backing, then apply it to plate 2 while peeling and adhering simultaneously.

59

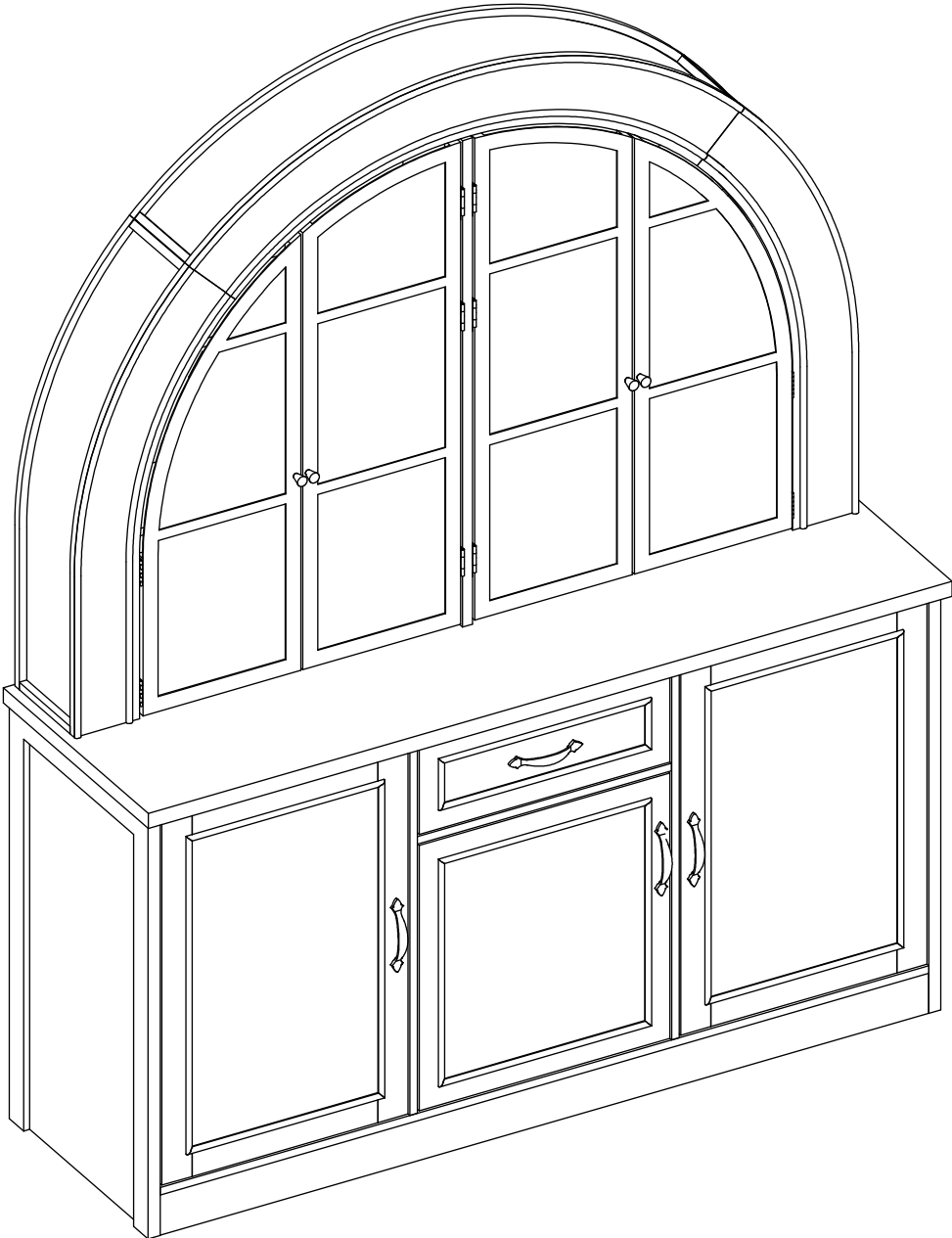
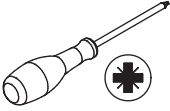
CC x 2
M8 x 60 mm
M5 x 55mm



- 1.
- 2.
- 3.
- 4.

Install the anti-tip device as shown.

60



WARRANTY

WARRANTY CLAIMS

- There is a 30-day warranty for broken furniture or any other problems that do not work properly. The warranty will start from the date of purchase which must be verified by proof of purchase.
- Before making a claim, we may be able to answer your query, simply call us. Please leave your purchase order number, along with some details of the problem, if you want a replacement part. We will arrange within 48 hours. If there is out of stock, we will reply with a shipping date.
- The product must be used in accordance with the instructions provided. For health reasons.
- For other reasons, if the furniture needs to be returned, it must be cleaned and dried and operated within 30 days of receipt.

Type of Warranty Claim

- Failure to follow the furniture instructions will invalidate the warranty. Attention please.
- Does not include damage during installation, but includes damage during transportation.

Scope of responsibility

- Shall not bear any responsibility for misuse or user damage and / or loss of parts during the installation of furniture.
- After using, the damage and scratches of the furniture are not covered by the warranty.

The Warranty Relates to All Bought in The Us and Covers The Following Areas

- Sheet parts: 1 month from the date of purchase.
- Electrical parts: 1 month from the date of purchase.

RETURNS

CHANGED YOUR MIND AND NEED TO RETURN YOU ITEM?

PLEASE FOLLOW THE BELOW INSTRUCTIONS:

- If you have purchased and have simply changed your mind, follow the retailer's instructions for returns.

DEFECTIVE ITEMS

- If your item is defective in any way, i.e. it doesn't work but you can't identify why, in the first instance, please call us.

DAMAGED ITEMS

- If you receive an order with obvious shipping damage from the retailer, then we suggest the delivery is refused. If the delivery has been accepted and then shipping damage is found, please follow the specific instructions advised by the retailer.
In all circumstances please save all packaging material and paperwork for the order. Please be aware that if you dispose of packaging material or attempt to return the merchandise without contacting the fulfiller, you jeopardise your chances of making a claim, and you may not receive a credit for the return.