

# KIDS 3 DRAWER DRESSER

## ASSEMBLY INSTRUCTIONS

### **Before You Begin: A rubber mallet is required for assembly (Not Included).**

Please identify all component parts and hardware pieces required before you begin. Carefully remove all of the components from the packaging and set aside for assembly. Assemble on a soft surface to prevent scratching during assembly.

### **Caution:**

Tighten all components securely before use. Failure to do so may result in personal injury.

DO NOT use any sharp objects to open plastic wrapped components as damage to product or components may result.

### **Warning:**

**CHOKING HAZARD - Small Parts.** Adult Assembly Required.

Injuries may result from tipping furniture. You must install Tipping Restraint Hardware with the unit to prevent the unit from tipping and causing any accidental injury, instability, death or damage. The tipping restraint is intended only as a safety measure, it is not a substitute for proper adult supervision.

The tipping restraint is not an earthquake restraint. If you wish to add the extra security of earthquake restraints, they must be purchased and installed separately.

Serious or fatal crushing injuries can occur from furniture tipping over. To prevent furniture from tipping over it must be permanently fixed to the wall. Fixing devices for the wall are not included since different wall materials require different types of fixing devices. Use fixing devices suitable for the walls in your home.

Note: Manufacturer assumes no liability for improper installation or excessive loads placed on screws or brackets.

Failure to detach this restraint before moving furniture may result in injury or damage.

**DO NOT ALLOW CHILDREN TO CLIMB ON FURNITURE**

## EVERY PRODUCT



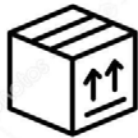
Quality &  
Durability Tested



Packaged  
with Care



Shipped from  
our U.S. Facility



Designed  
for Easy  
Assembly

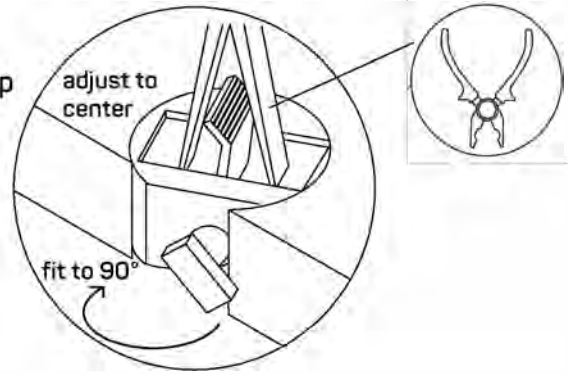


Ethically  
Sourced

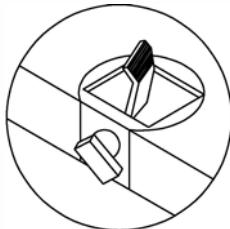
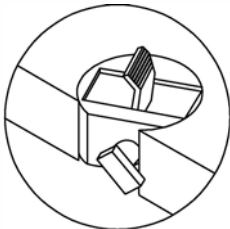
**Read this manual before using this product. Failure to follow the instructions and safety precautions in this manual can result in serious injury or death. Keep this manual in a safe location for future reference.**

# This Cam Lock Fastening System will be used throughout the assembly process.

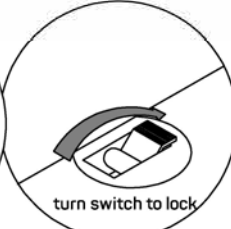
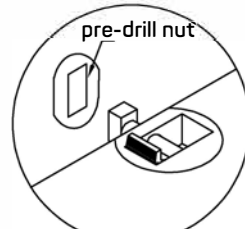
\*\* If the pin position is offset, use pliers to hold the flip switch in the upright position and carefully turn the switch lock to the center of the opening.



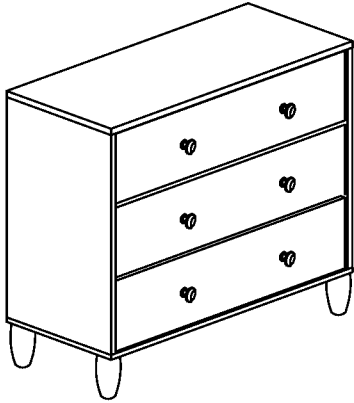
Ensure starting position is correct before you insert a switch lock connecting.

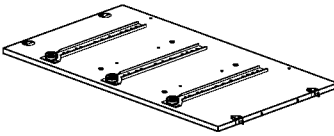
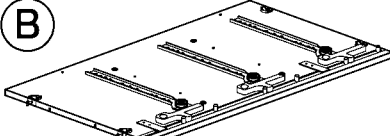
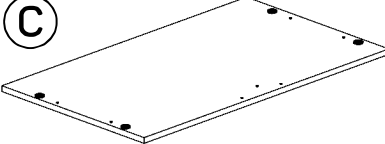
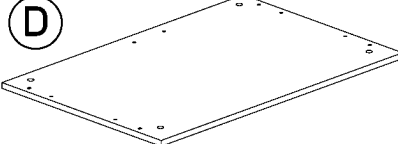
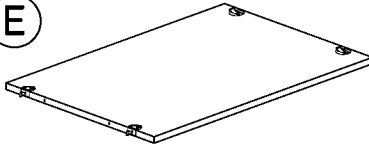
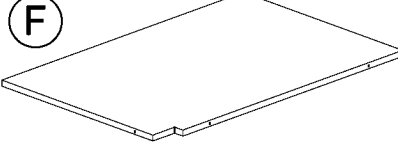
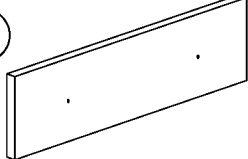
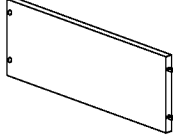


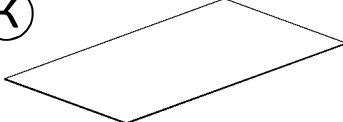
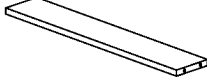


Switch lock might be tight for some user. Please exert pressure to fully lock













# PARTS LIST



<p>(A)</p>  <p>SIDE PANEL RIGHT 1PC</p>	<p>(B)</p>  <p>SIDE PANEL LEFT 1PC</p>
<p>(C)</p>  <p>TOP PANEL 1PC</p>	<p>(D)</p>  <p>BOTTOM PANEL 1PC</p>
<p>(E)</p>  <p>CENTER SUPPORT 2PCS</p>	<p>(F)</p>  <p>BACK PANEL 2PCS</p>
<p>(G)</p>  <p>DRAWER FRONT 3PCS</p>	<p>(H)</p>  <p>DRAWER SIDE PANEL RIGHT 3PCS</p>
<p>(I)</p>  <p>DRAWER SIDE PANEL LEFT 3PCS</p>	<p>(J)</p>  <p>DRAWER BACK PANEL 3PCS</p>
<p>(K)</p>  <p>DRAWER BOTTOM 3PCS</p>	<p>(L)</p>  <p>DRAWER BOTTOM SUPPORT 6PCS</p>


# HARDWARE LIST

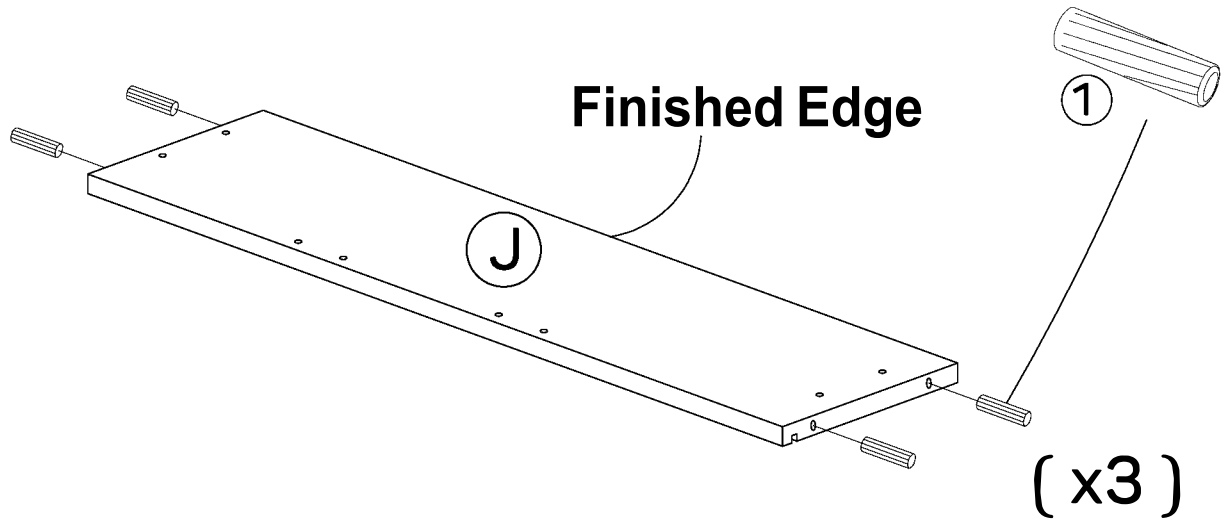
ITEM	DESCRIPTION	QTY
①	0.24" x 1.18" WOOD DOWEL 	38 pcs
②	0.24" x 1.57" WOOD DOWEL 	12 pcs
③	DRAWER FASTENER 	12 pcs
④	0.16" x 0.98" MACHINE SCREW 	6 pcs
⑤	REAR CONNECTOR 	12 pcs

ITEM	DESCRIPTION	QTY
⑥	FLOOR GLIDE 	4 pcs
⑦	WOODEN KNOB 	6 pcs
⑧	Ø34/58 x 5.9" WOODEN LEG 	4 pcs
⑨	SAFETY BRACKET KIT 	1 pc
⑩	ALLEN KEY 	1 pc


# INSTALLATION

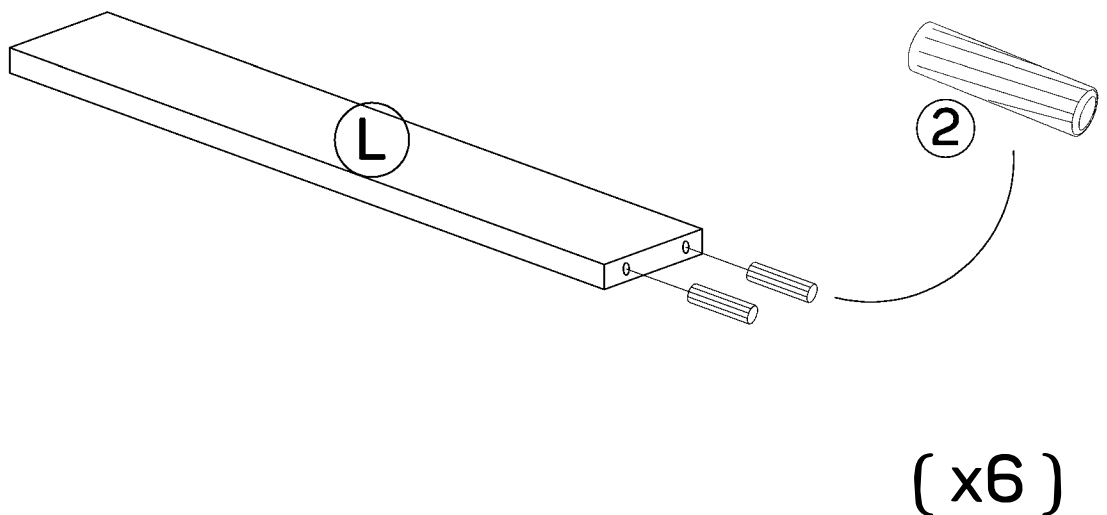
## STEP1

- ① 0.24" x 1.18"  
WOOD DOWEL   
12pcs

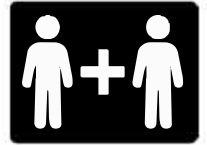


## STEP2

- ② 0.24" x 1.57"  
WOOD DOWEL   
12pcs

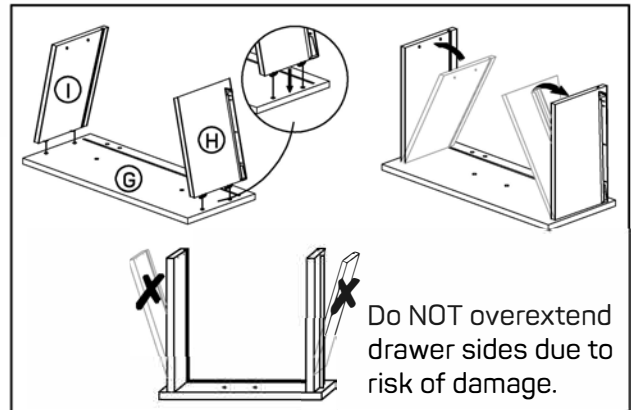
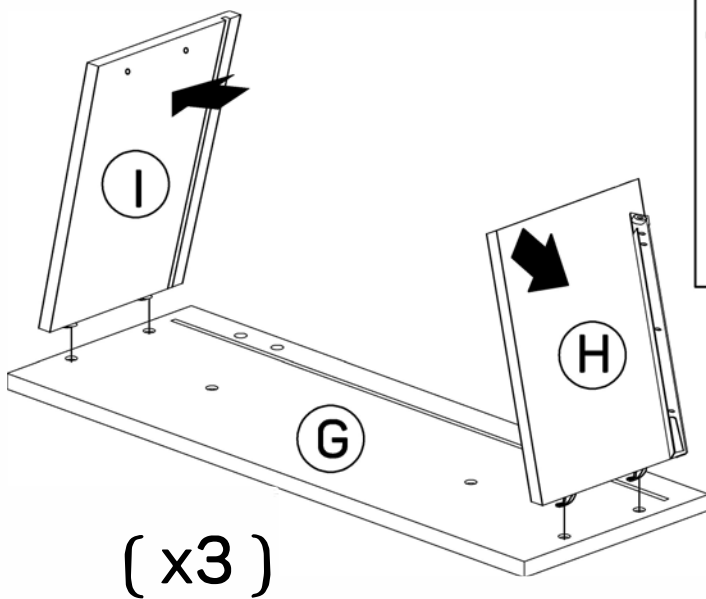


### STEP3

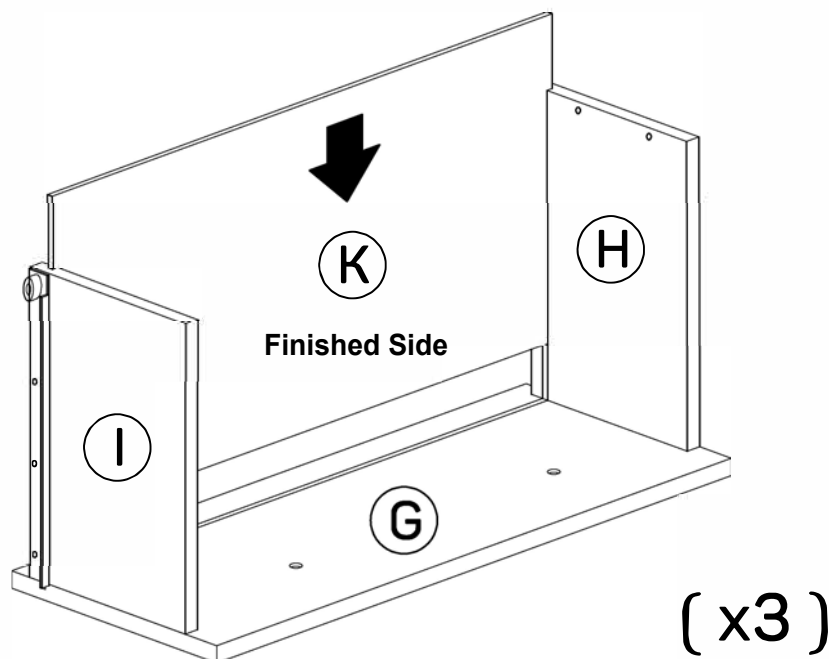


Insert the hooks of drawer side panels (H) and (I) into the drawer front (G) holes at a 45° angle. While keeping slight downward pressure, adjust boards outwardly to full 90° angle.

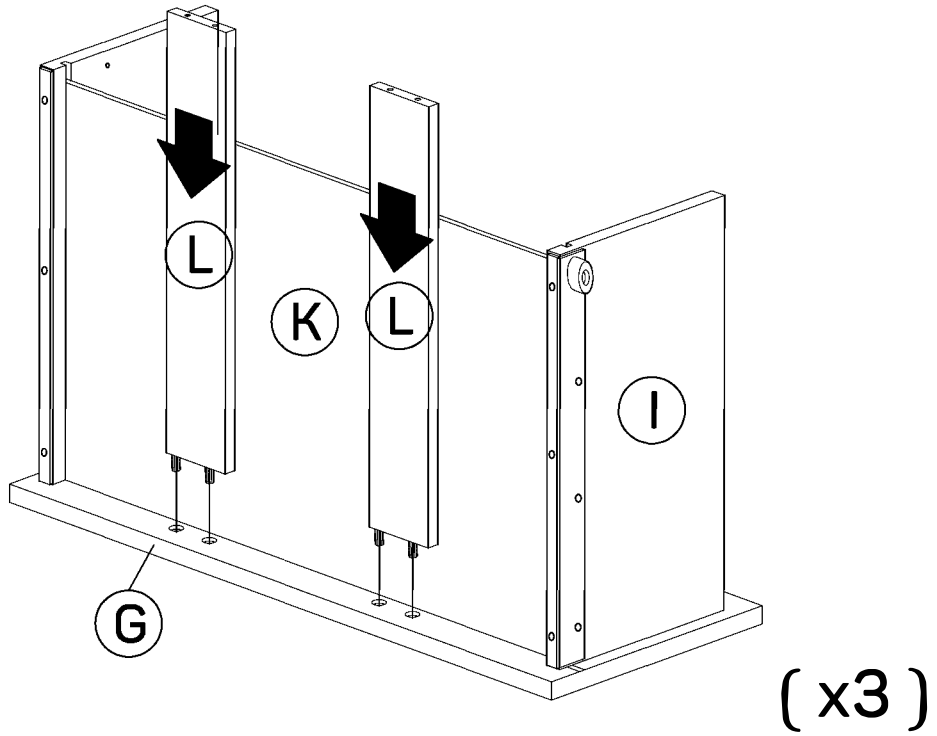
NOTE: The drawer sides will be slightly unstable until the drawer bottom is installed (step 4).



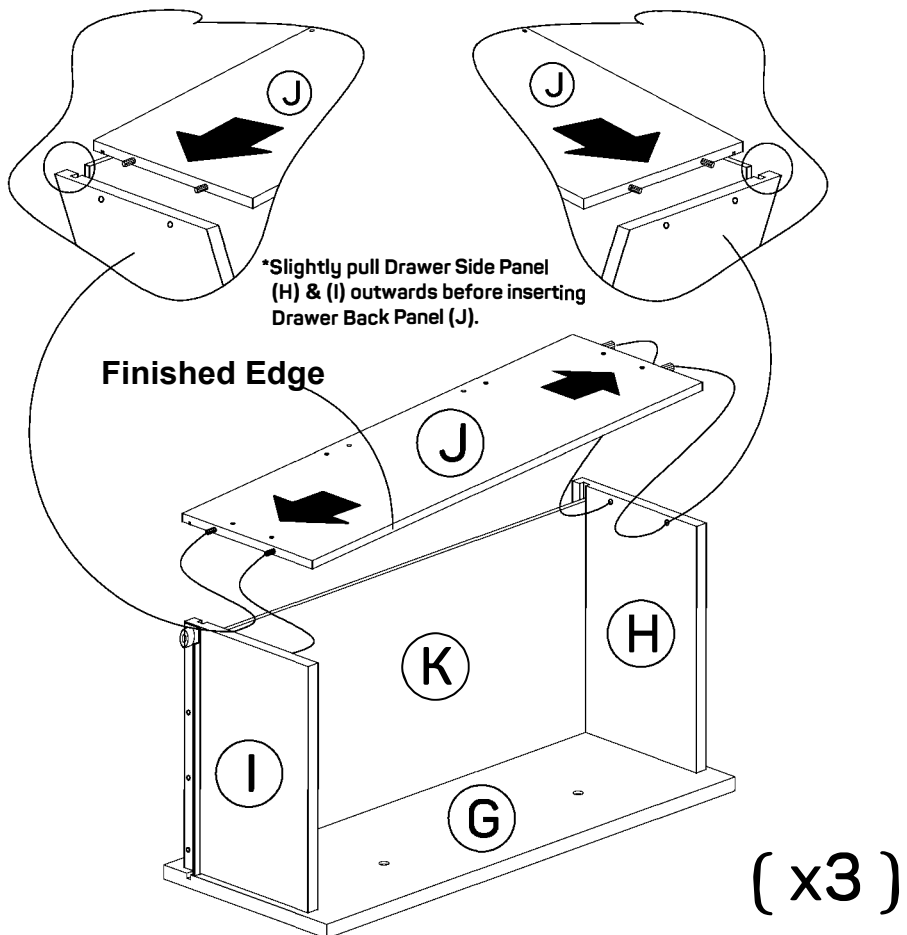
### STEP4



## STEP 5

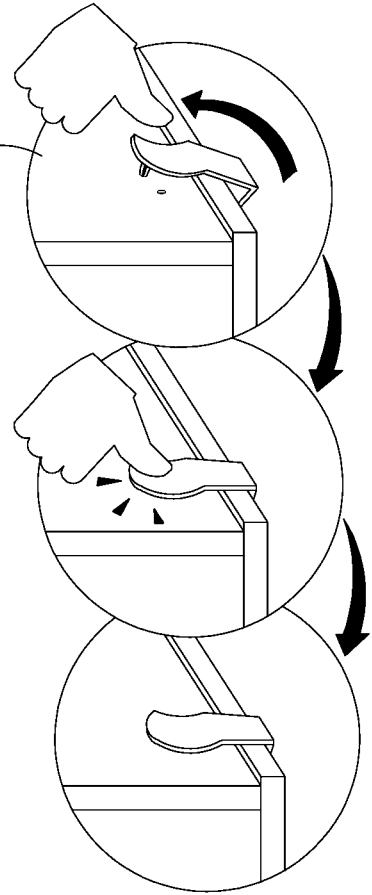
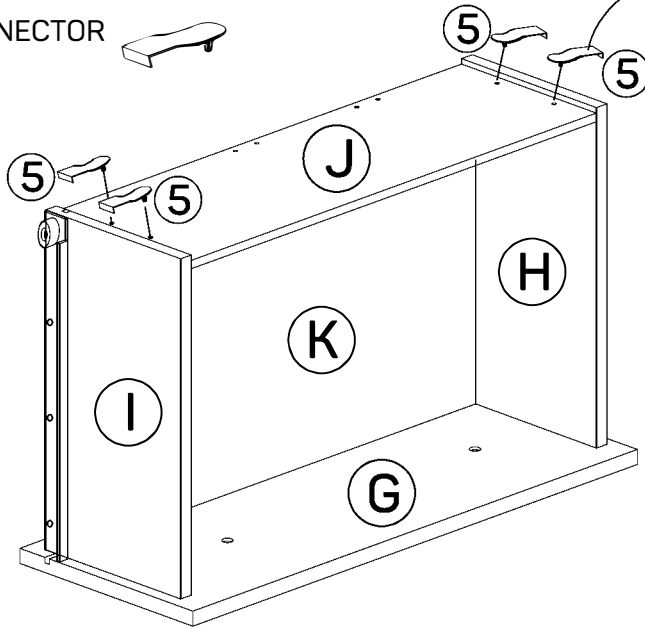


## STEP 6



## STEP 7

5 REAR CONNECTOR  
12pcs

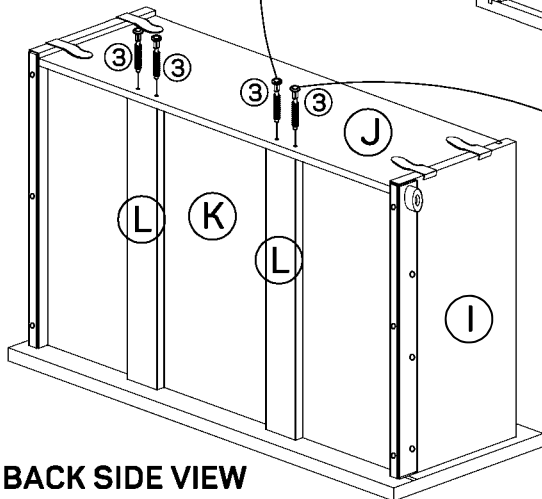
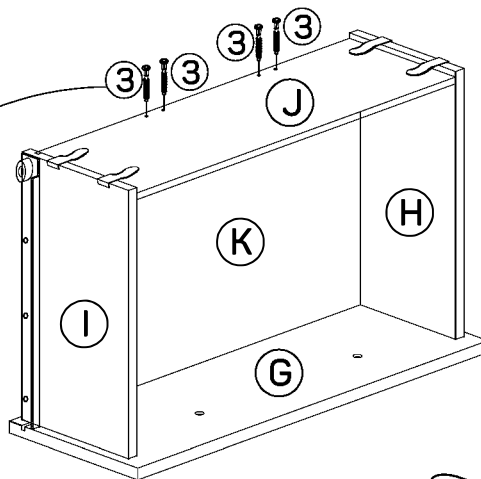


( x3 )

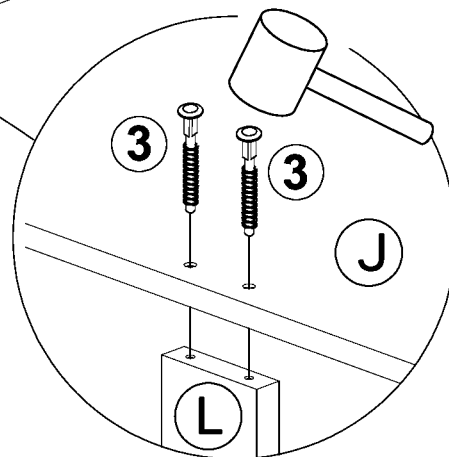
## STEP 8

3 DRAWER FASTENER  
12pcs

( x3 )



BACK SIDE VIEW



## STEP9

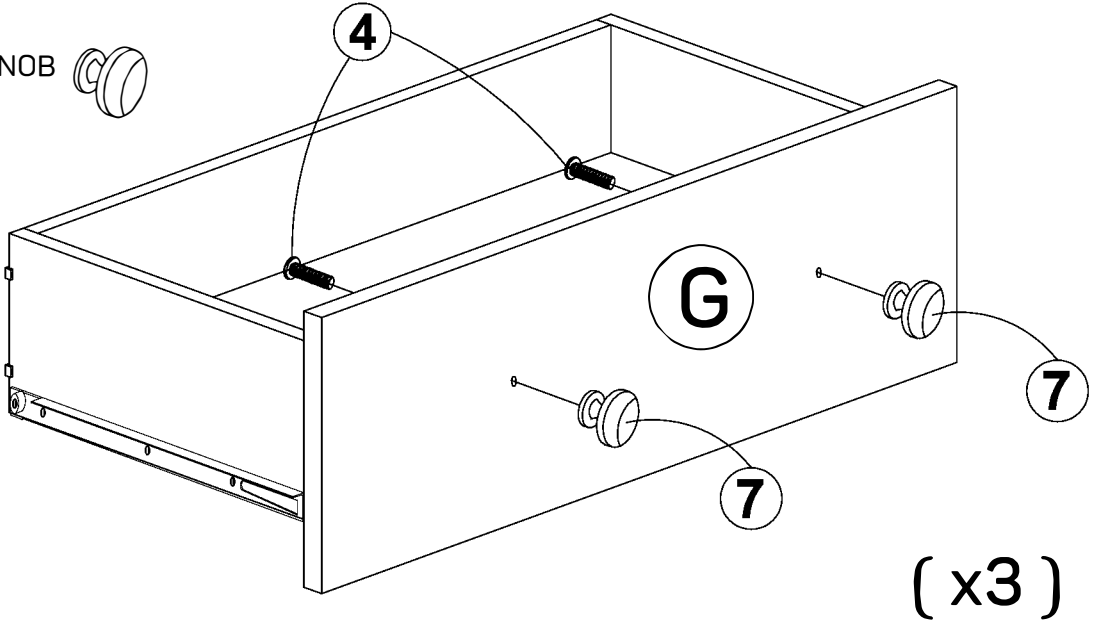
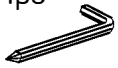
④ 0.16" x 0.98"  
MACHINE SCREW  
6pcs



⑦ WOODEN KNOB  
6pcs



⑩ ALLEN KEY  
1pc

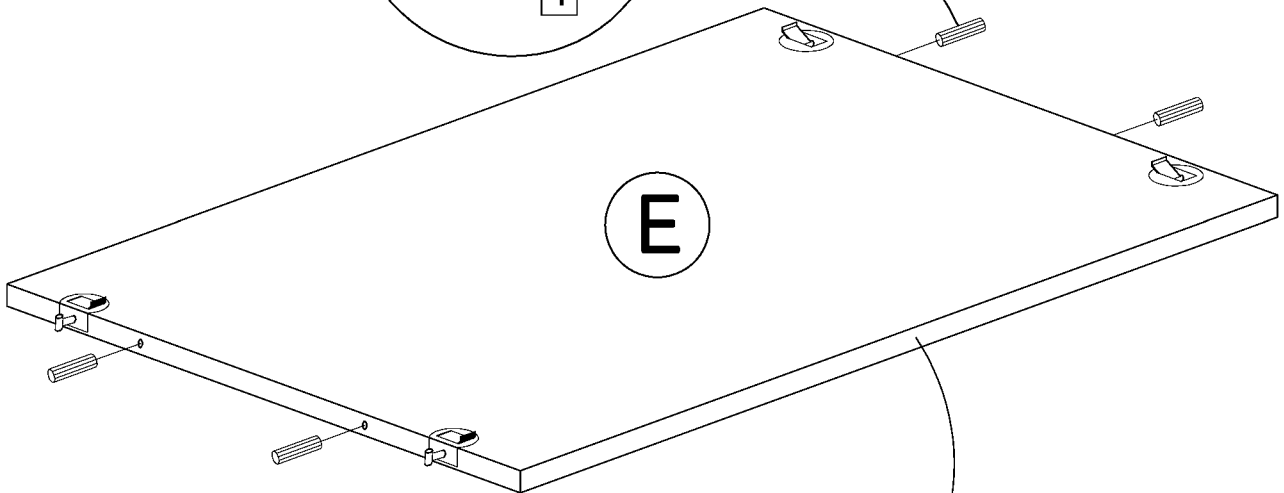
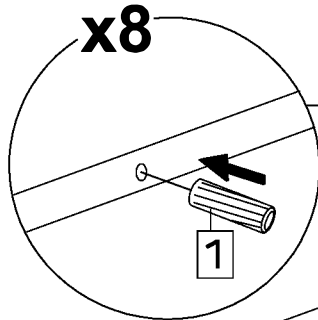


## STEP10

① 0.24" x 1.18"  
WOOD DOWEL  
8pcs



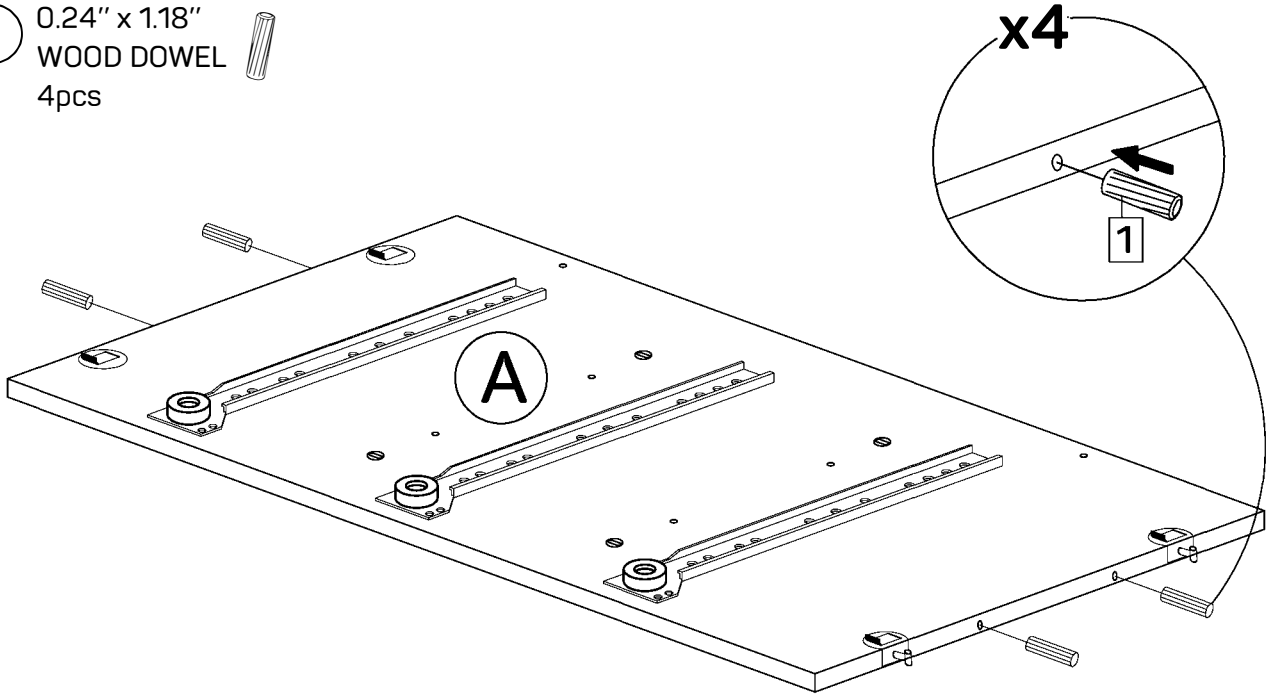
x8



Finished Edge  
(x2)

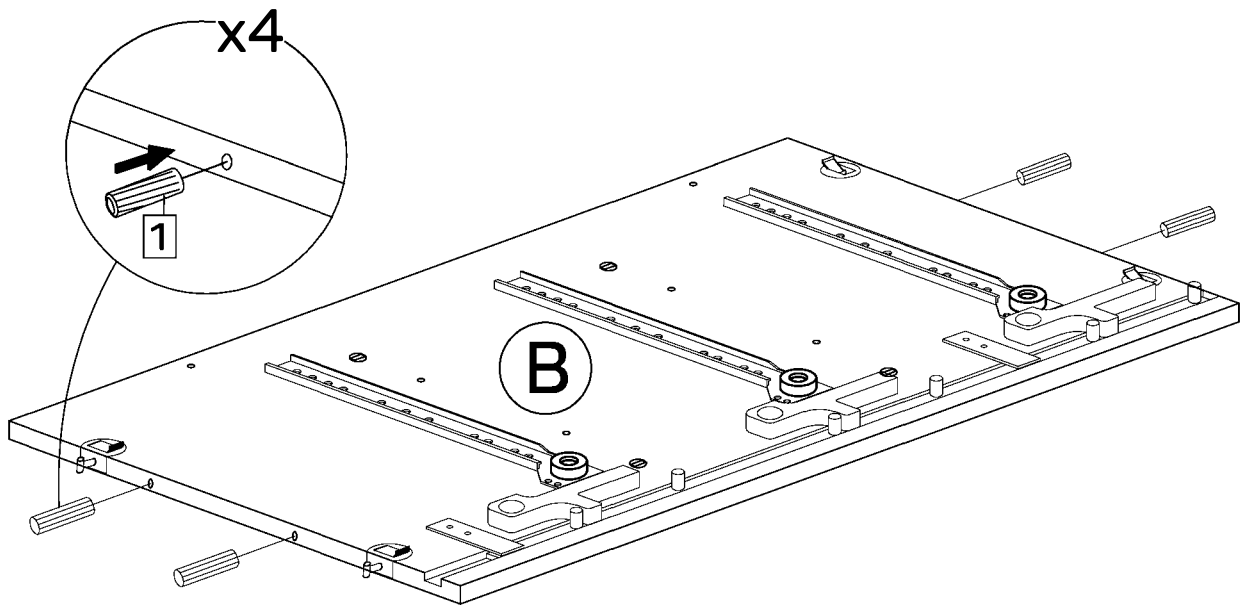
## STEP11

- ① 0.24" x 1.18"  
WOOD DOWEL  
4pcs

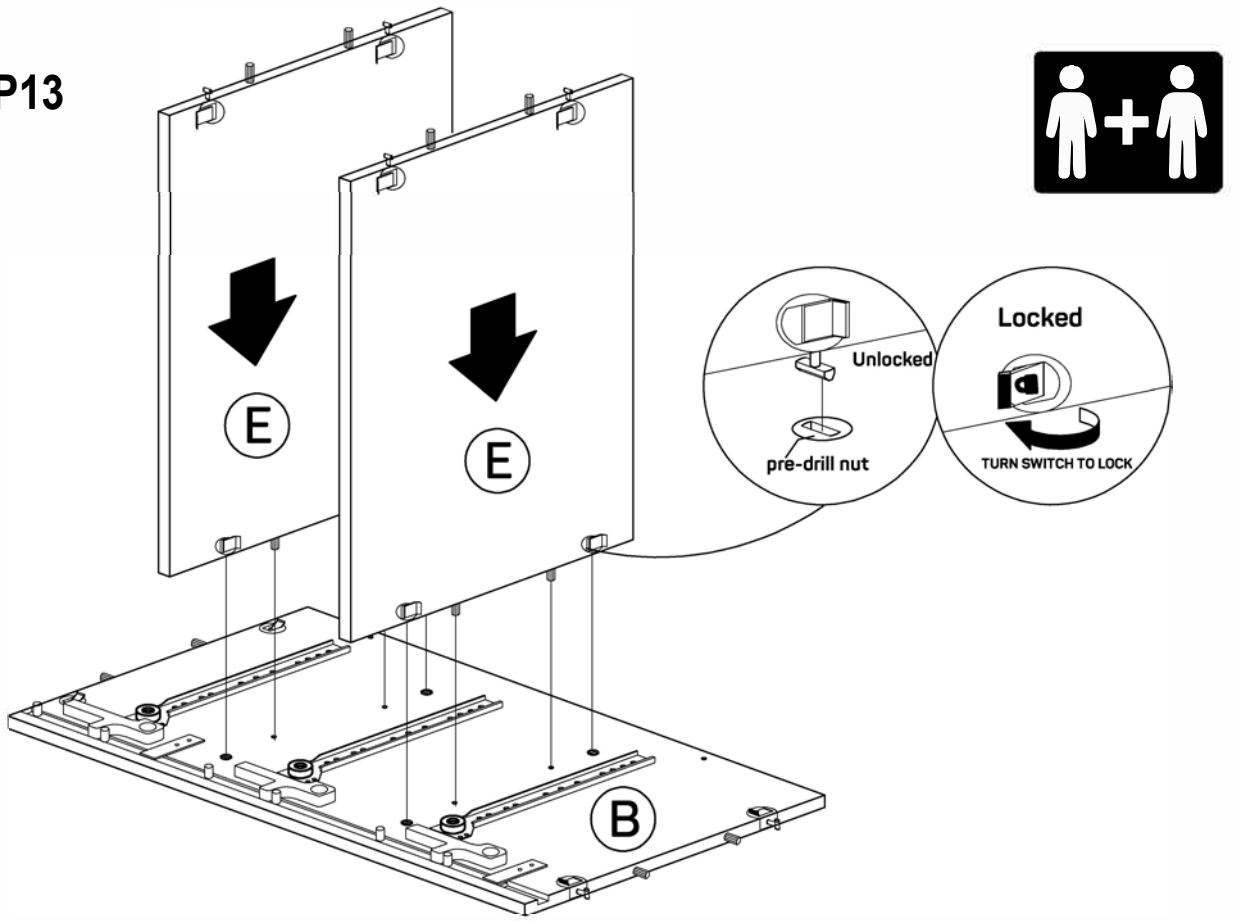


## STEP12

- ① 0.24" x 1.18"  
WOOD DOWEL  
4pcs

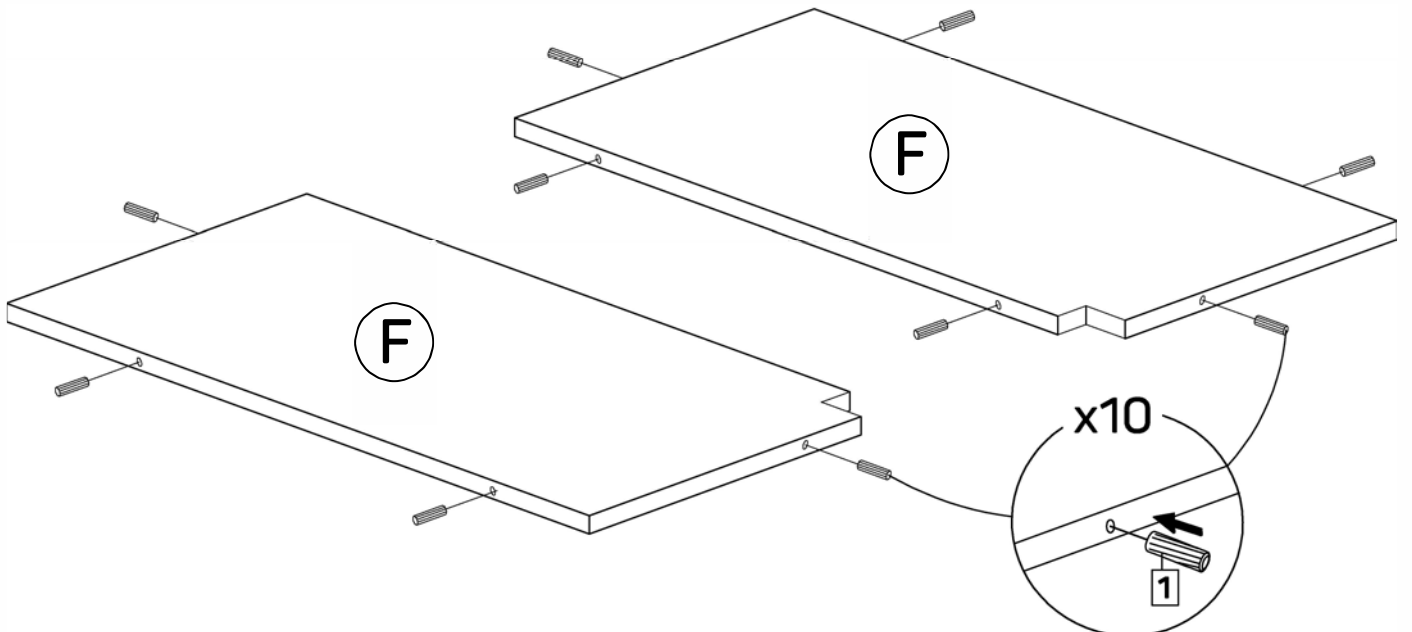


# STEP13

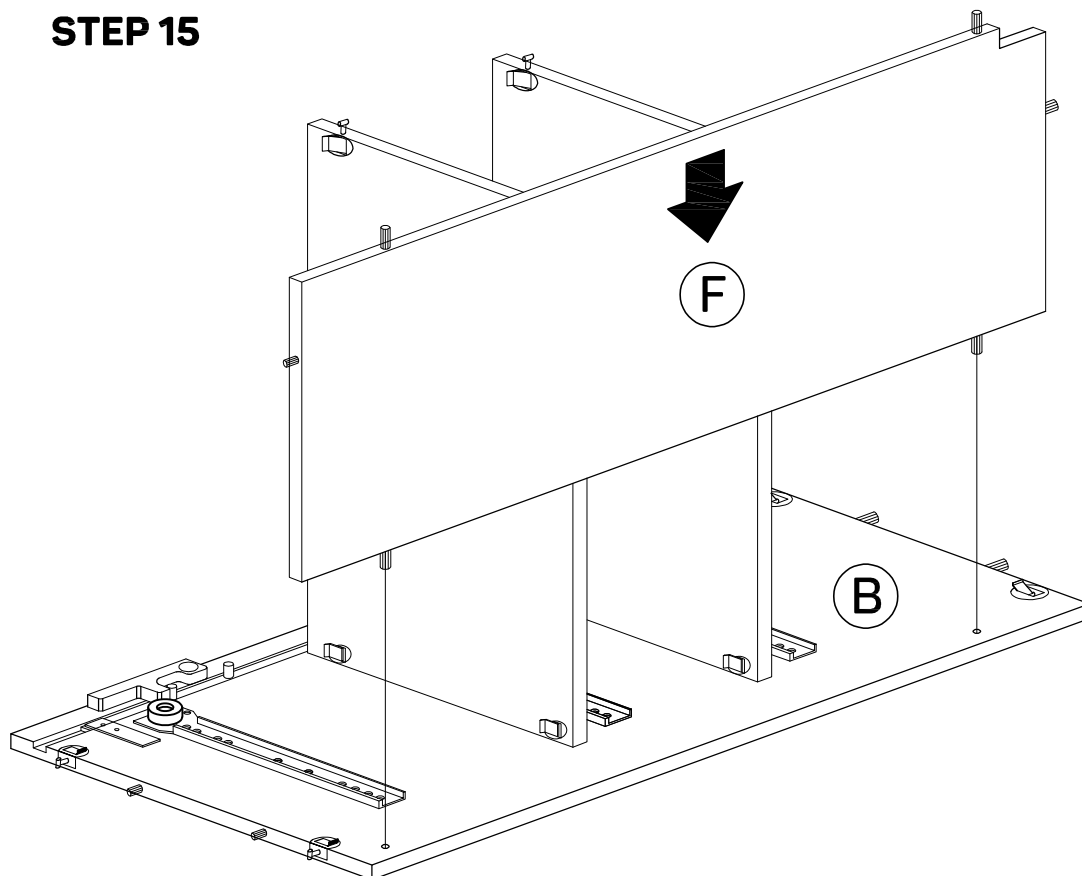


# STEP14

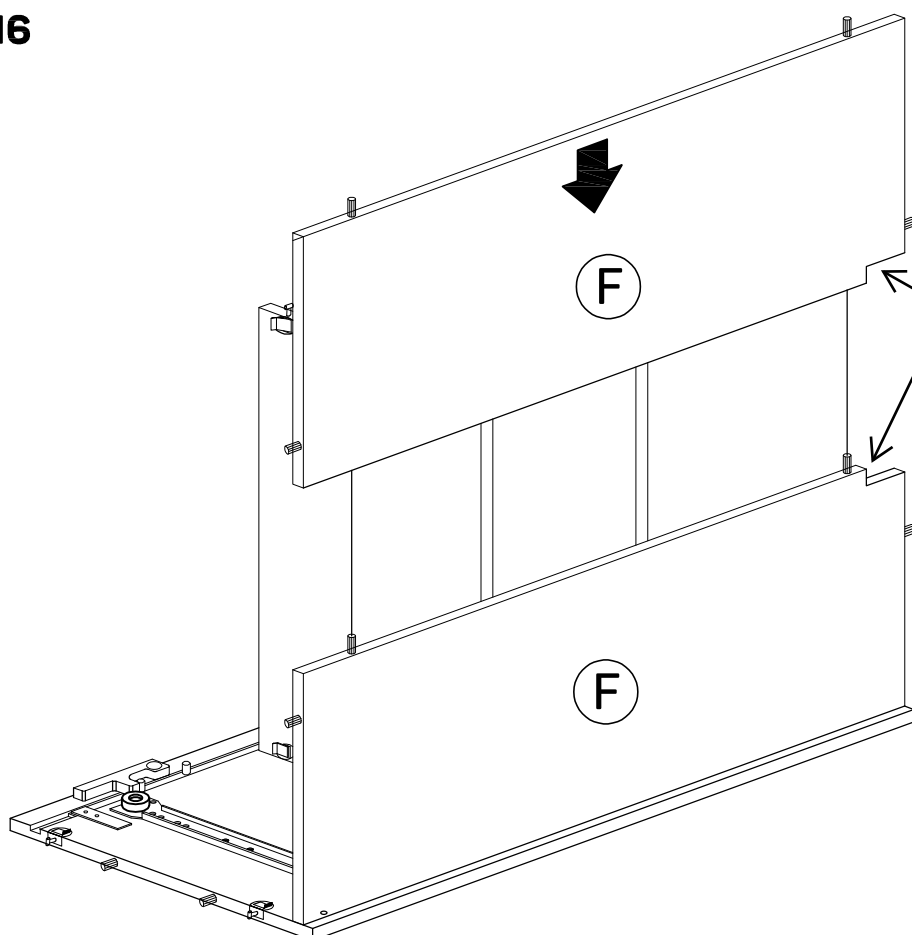
- ① 0.24" x 1.18" WOOD DOWEL 10pcs



### STEP 15

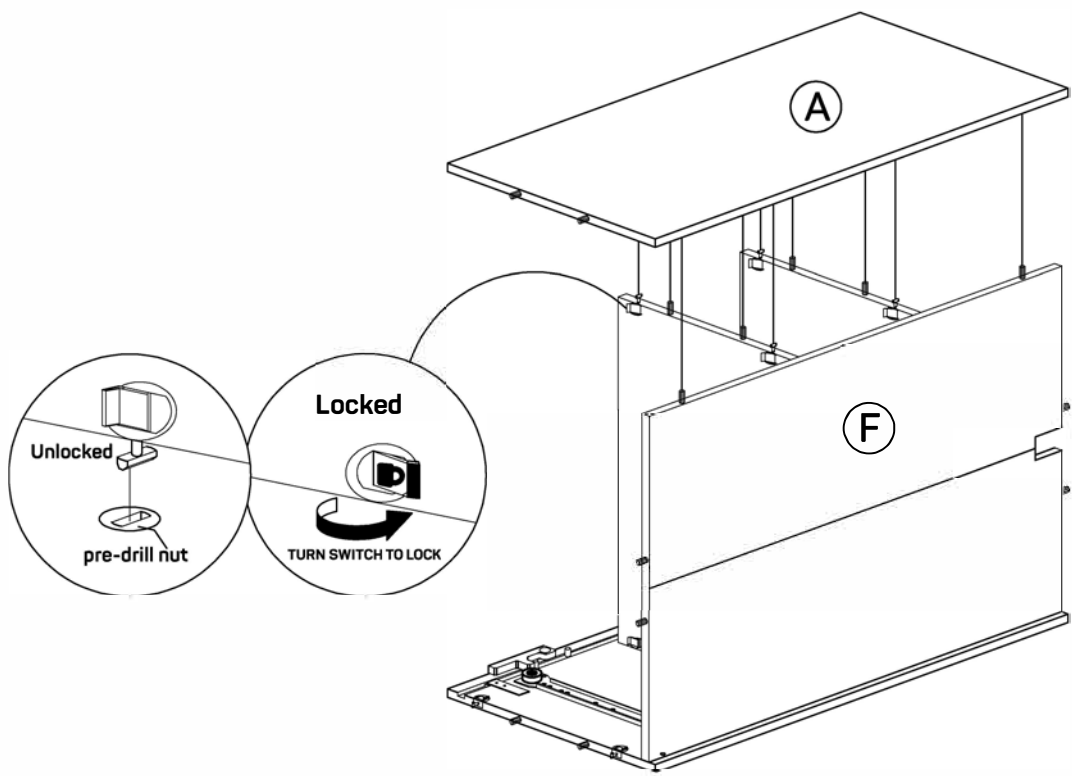
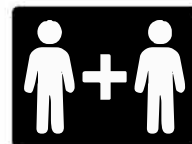


### STEP 16



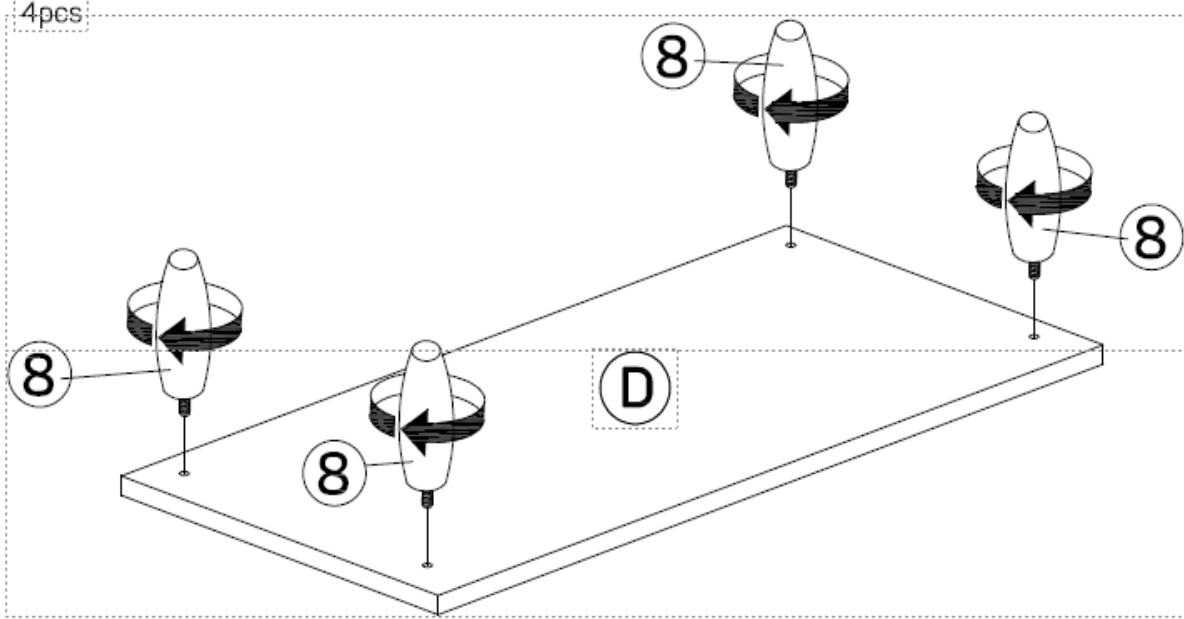
**NOTE:** Ensure cutouts on back panels are installed correctly to accommodate safety bracket in Step 23.

# STEP 17

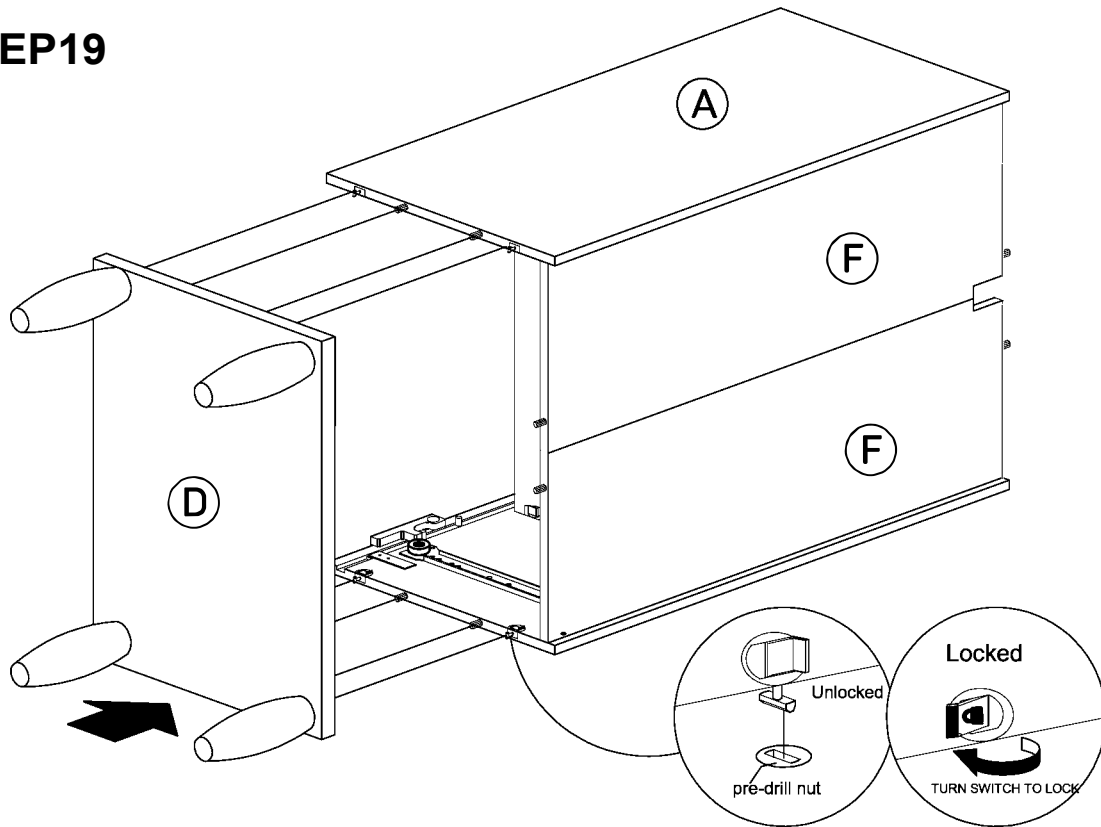


# STEP 18

- 8  $\varnothing 34/58 \times 5.9''$   
WOODEN LEG  
4pcs



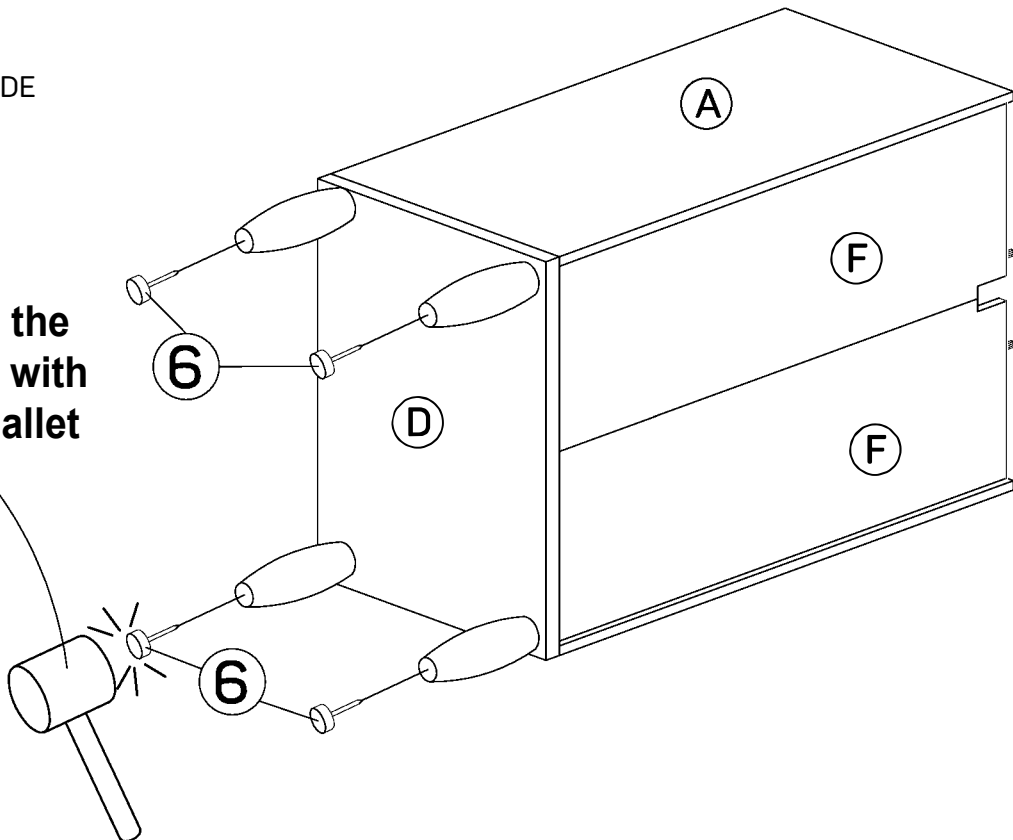
## STEP19



## STEP20

- ⑥ FLOOR GLIDE  
4pcs

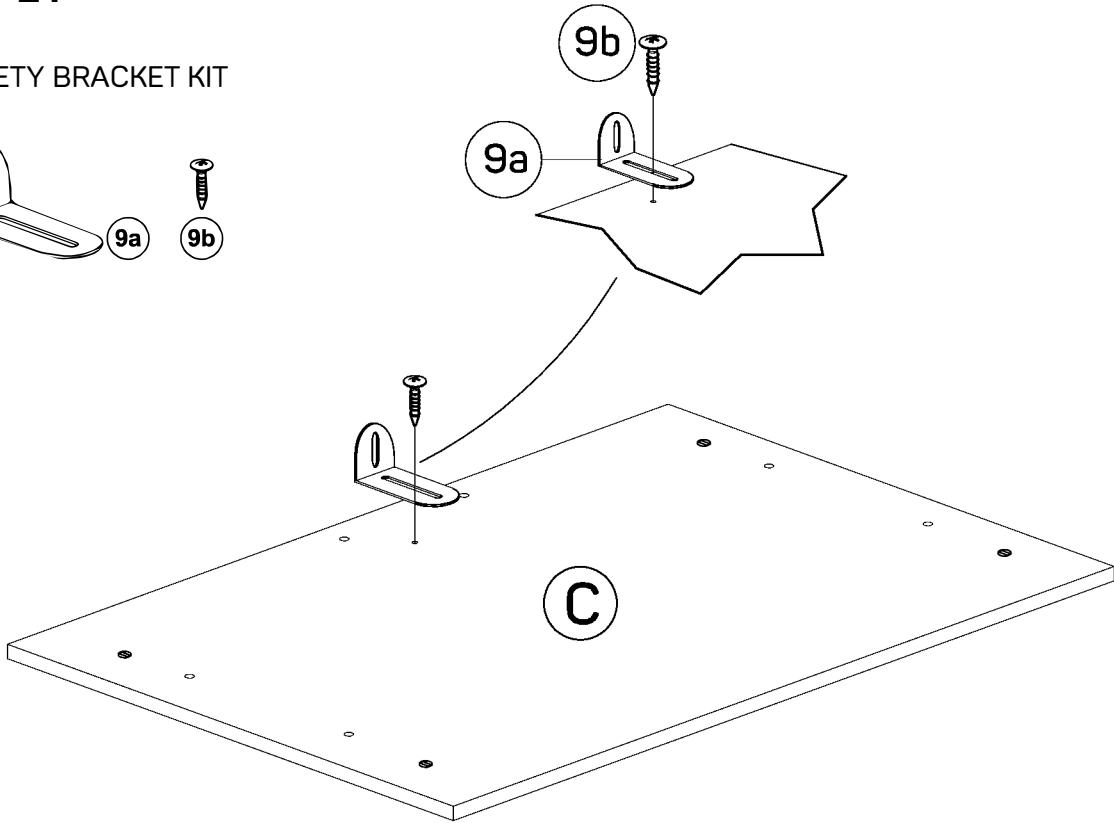
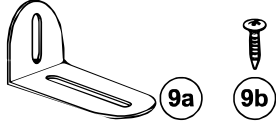
Gently tap the  
floor glides with  
a rubber mallet



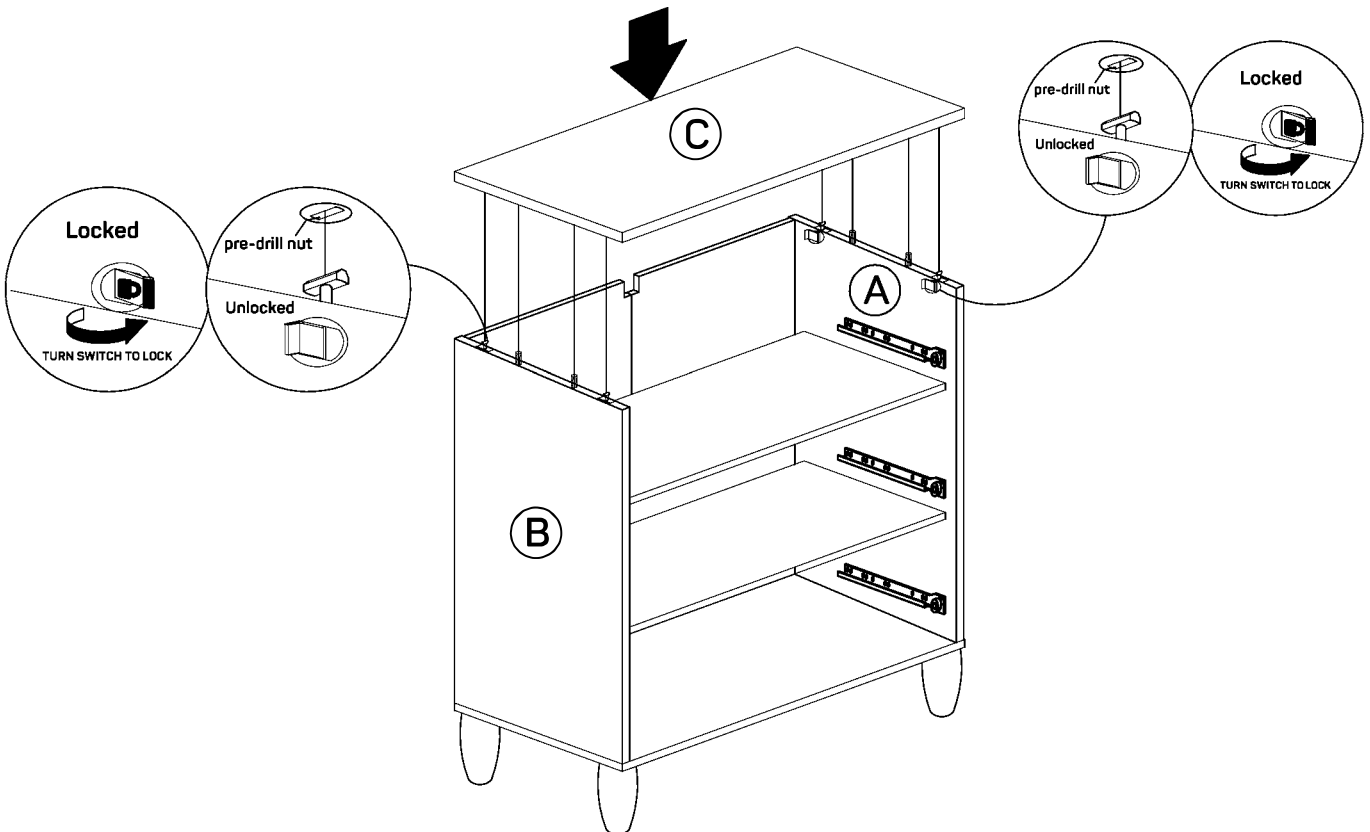
## STEP21

Do not fully tighten this screw

9 SAFETY BRACKET KIT  
1pc



## STEP22



## STEP 23

### 9 SAFETY BRACKET KIT 1pc



9c

9d

**IMPORTANT: THIS UNIT MUST BE SECURE TO THE WALL TO HELP PREVENT TIPOVER. FOLLOW THESE INSTRUCTIONS TO INSTALL THE ANTI-TIPPING SAFETY BRACKET PROVIDED WITH THIS PRODUCT.**

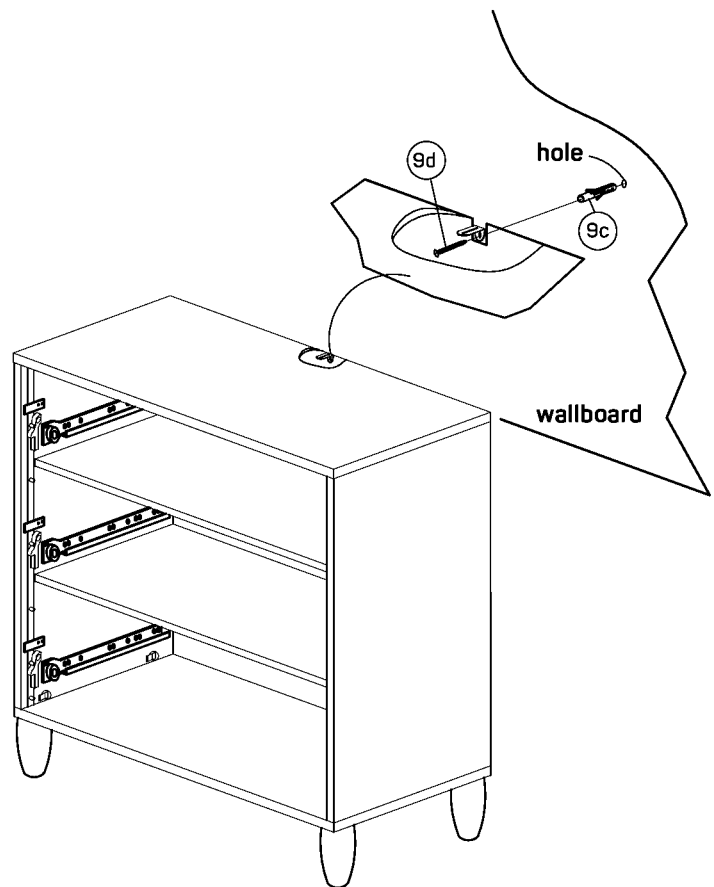
#### WARNING

Serious or fatal crushing injuries can occur from furniture tipover.

To prevent tipover:

- Install tipover restraint provided
- Place heaviest items in the lowest drawers
- Unless specifically designed to accommodate, do not set TVs or other heavy objects on the top of this product
- Never allow children to climb or hang on drawers, doors or shelves
- Never open more than one drawer at a time

Use of tipover restraints may only reduce, but not eliminate the risk of tipover.



#### OPTION 1: Attachment into a wall stud (preferred method)

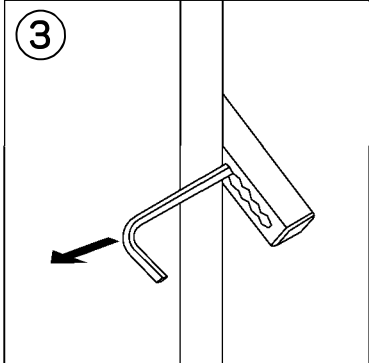
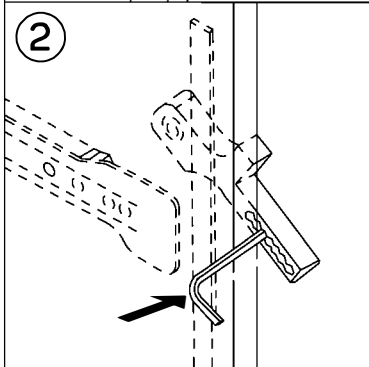
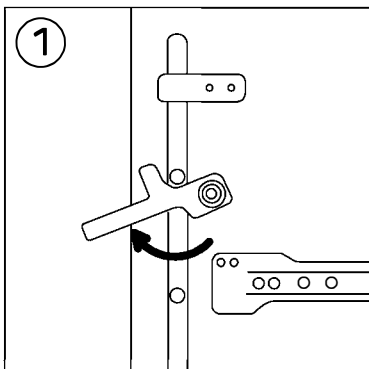
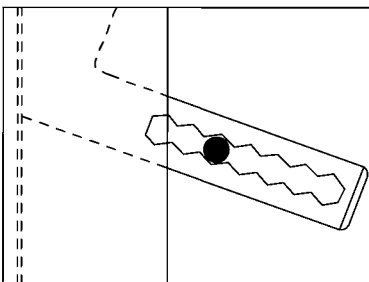
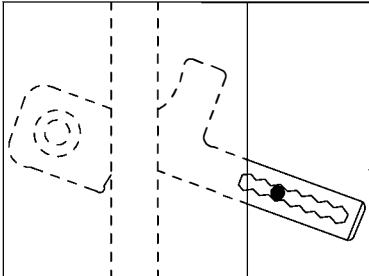
Using a stud finder, locate a stud in the wall. Place your unit against the wall, with the safety bracket aligned in this location. To make driving the screw easier, you can drill a 1/8" diameter pilot hole (3mm) through the safety bracket into the stud. Drive the screw through the safety bracket into the wall stud. Tighten the screw that was not fully tightened in step 21.

#### OPTION 2: Attachment into drywall

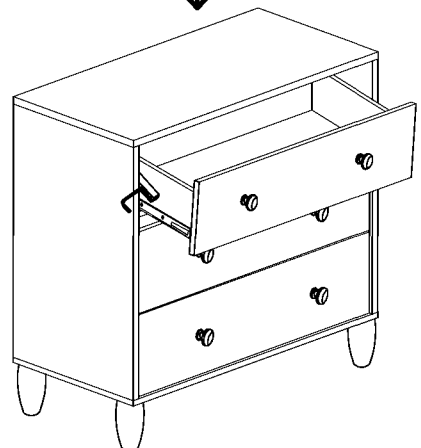
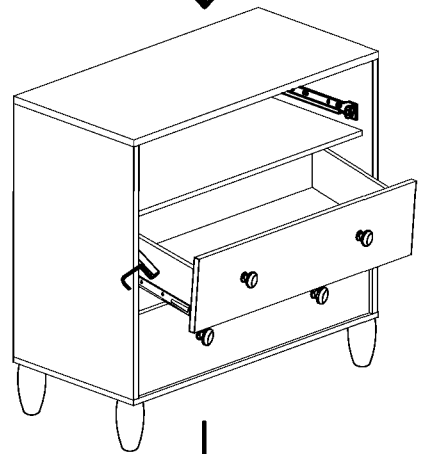
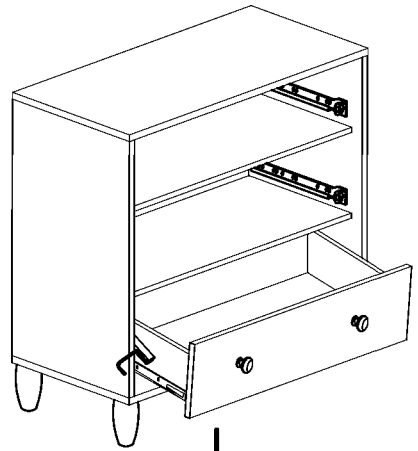
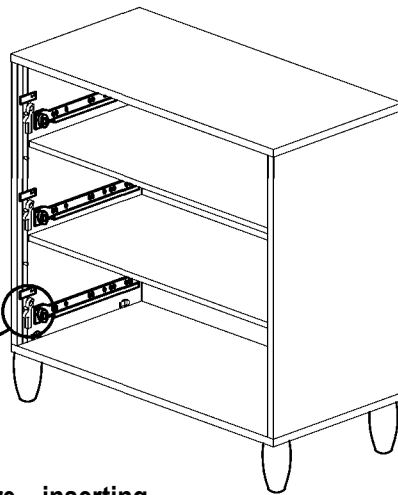
Locate your unit where desired against a wall and mark the wall through the safety bracket, then move your unit aside. Drill a 3/16" diameter hole (5mm) into the wallboard. Tap the wall anchor into the hole until it is flush. Move your unit into location and fasten the wall bracket to the wall anchor with the screw. Tighten the screw that was not fully tightened in step 21.

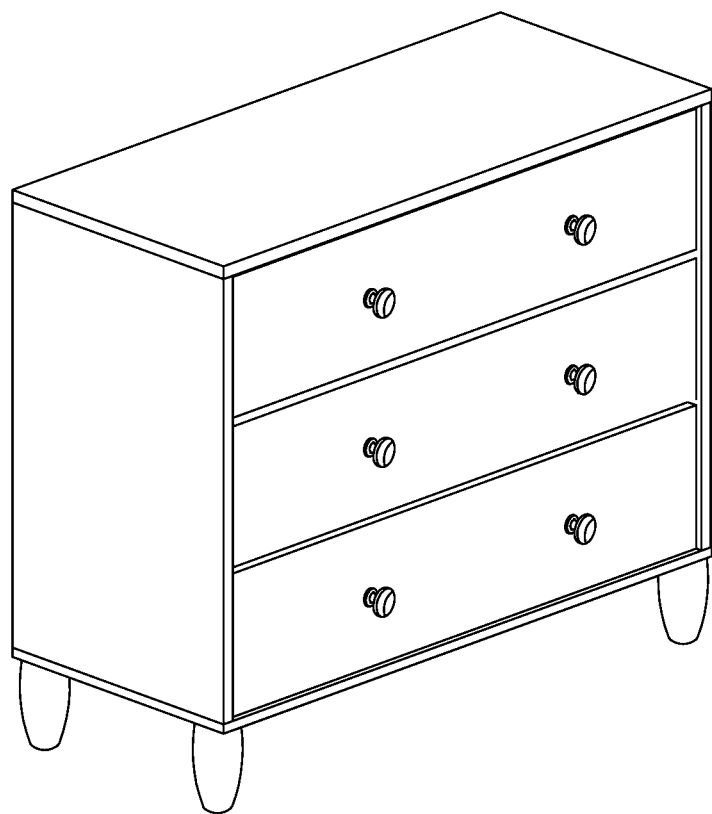
## STEP 24

10 ALLEN KEY  
1pc



**Note:** Before inserting each drawer, lift the drawer lock on the inside of the left side panel and insert the Allen Key into the 5th hole. Partially insert drawer, remove the Allen Key from the lock and let it fall back into the cabinet then close the drawer.





## **Quality and Safety Guidelines:**

**Please follow the static and dynamic weight capacity limits provided on this item. If you are unsure of the weight capacities for this product, email us**

**Please use this item on a stable, level surface only. All legs, feet and all parts of the base of this item should contact the flooring surface when in use. Do not use this item if any instability is detected.**

**Please install and use anti-tipping devices/wall anchor kits as instructed by the assembly instructions. Serious or fatal crushing injuries can occur from tipping furniture. The wall anchor kit is not a substitute for proper adult supervision. Use of the tip over restraints may only reduce, but not eliminate the risk of tip over.**

**The back panel must be used to make sure the unit is sturdy and safe.**

**Never push, pull or drag this product.**

**For maintenance instructions and replacement parts, please email us**

**This item is intended as a dresser only, do not climb, hang, stand or sit on this item. Do not climb, pull or hang on drawers. Do not use this item as a TV stand. Do not place heavy objects on top of this product. Never open more than one drawer at a time.**

**Keep fingers away from the hinge line clearance and away from all edges of the drawers when opening and closing the drawers to avoid pinching.**

**Place heaviest items in the lowest drawers.**

**The item is intended to be used indoors.**

**Please inspect this product regularly to make sure there are no damaged or worn parts. Also inspect to make sure all hardware is tightened correctly and securely. For inspection instructions, please email us**

**If any parts are damaged or worn, please stop using the product. Repair this product with manufacturer supplied parts only.**

**For product longevity, product safety and product integrity, protect from wet and humid weather or other wet, humid or moist conditions and store indoors in a dry location. For additional storage and usage instructions, please email us**