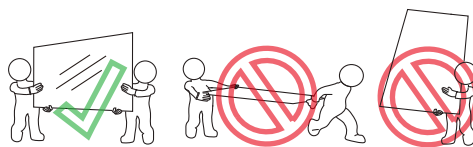
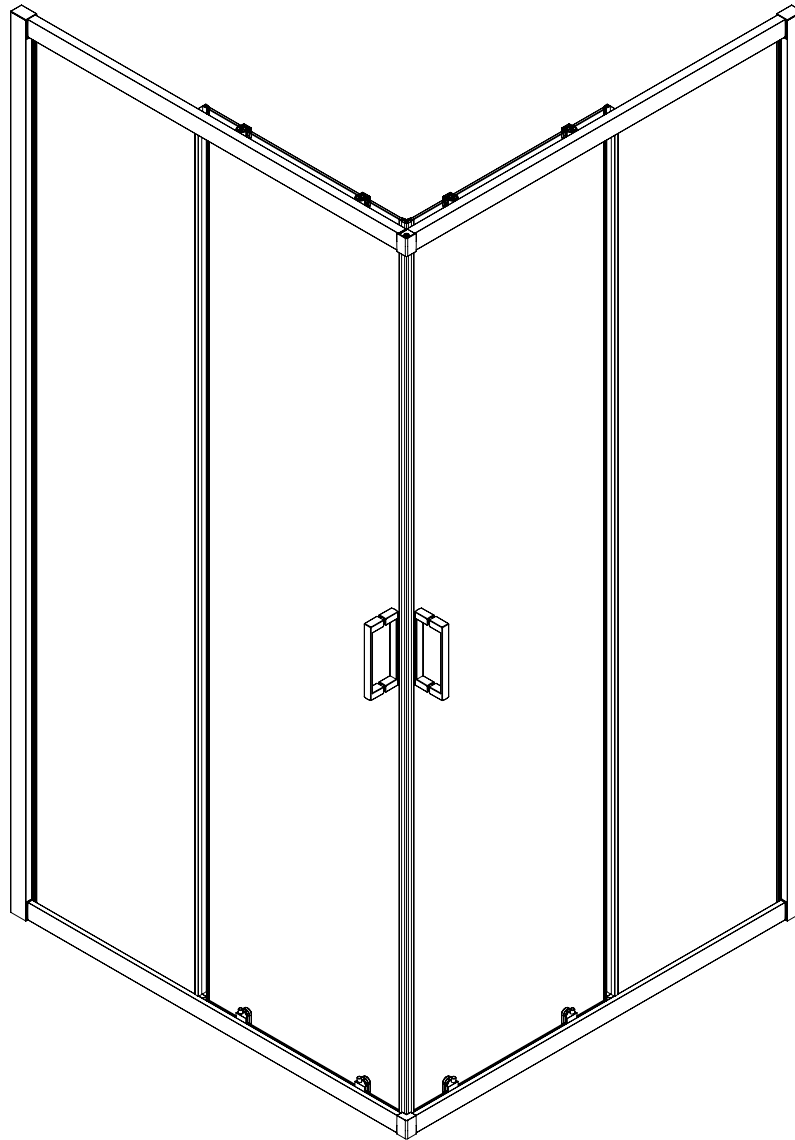


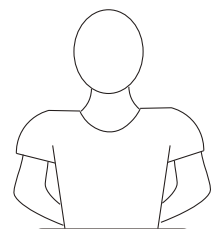
E-SERIES

CORNER DOOR OF INSTALLATION GUIDE



This door requires professional installation. Two installers recommended.

All the plastic bag is not a toy, keep it out of reach of infants and children to avoid choking hazards.

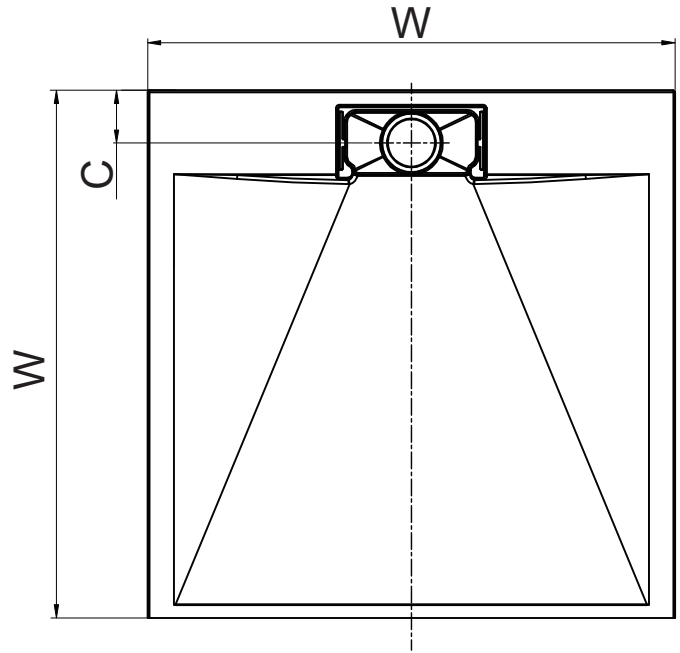
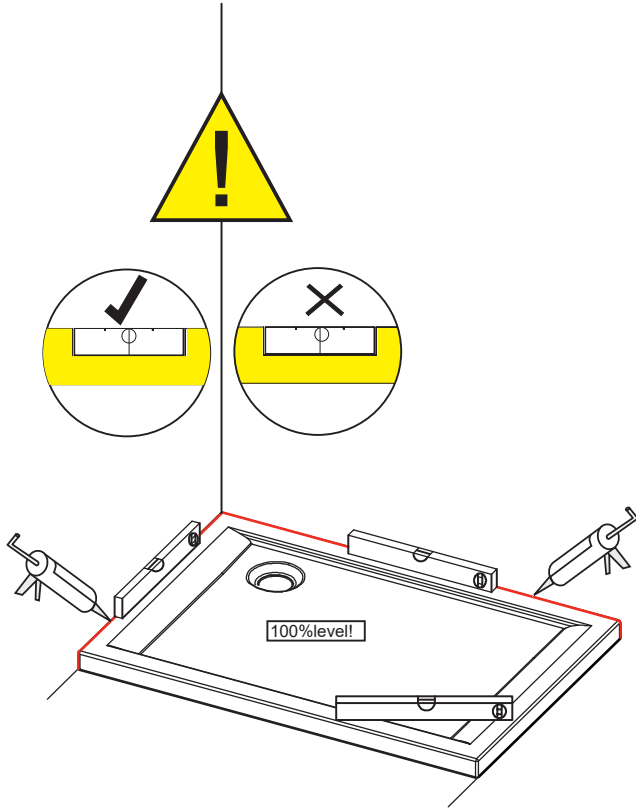


**Professional
Installation required**

V01-2025-11

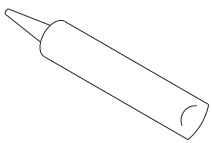


Please ensure your tray is 100% level in all directions before fitting your enclosure.

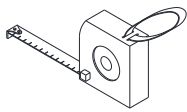


MODEL	SPECIFICATION	W (in)	C (in)
E3232	32"×32"	32"	3 7/8"
E3434	34"×34"	34"	3 7/8"
E3636	36"×36"	36"	3 7/8"
E4040	40"×40"	40"	3 7/8"

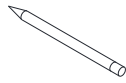
Tools Required



Caulk



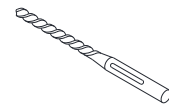
Tape Measure



Pencil



Phillips Screwdriver



Drill bit (Ø=5/16")



Drill bit (Ø=1/8")



Level



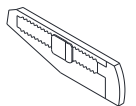
Caulk Gun



Electric Drill

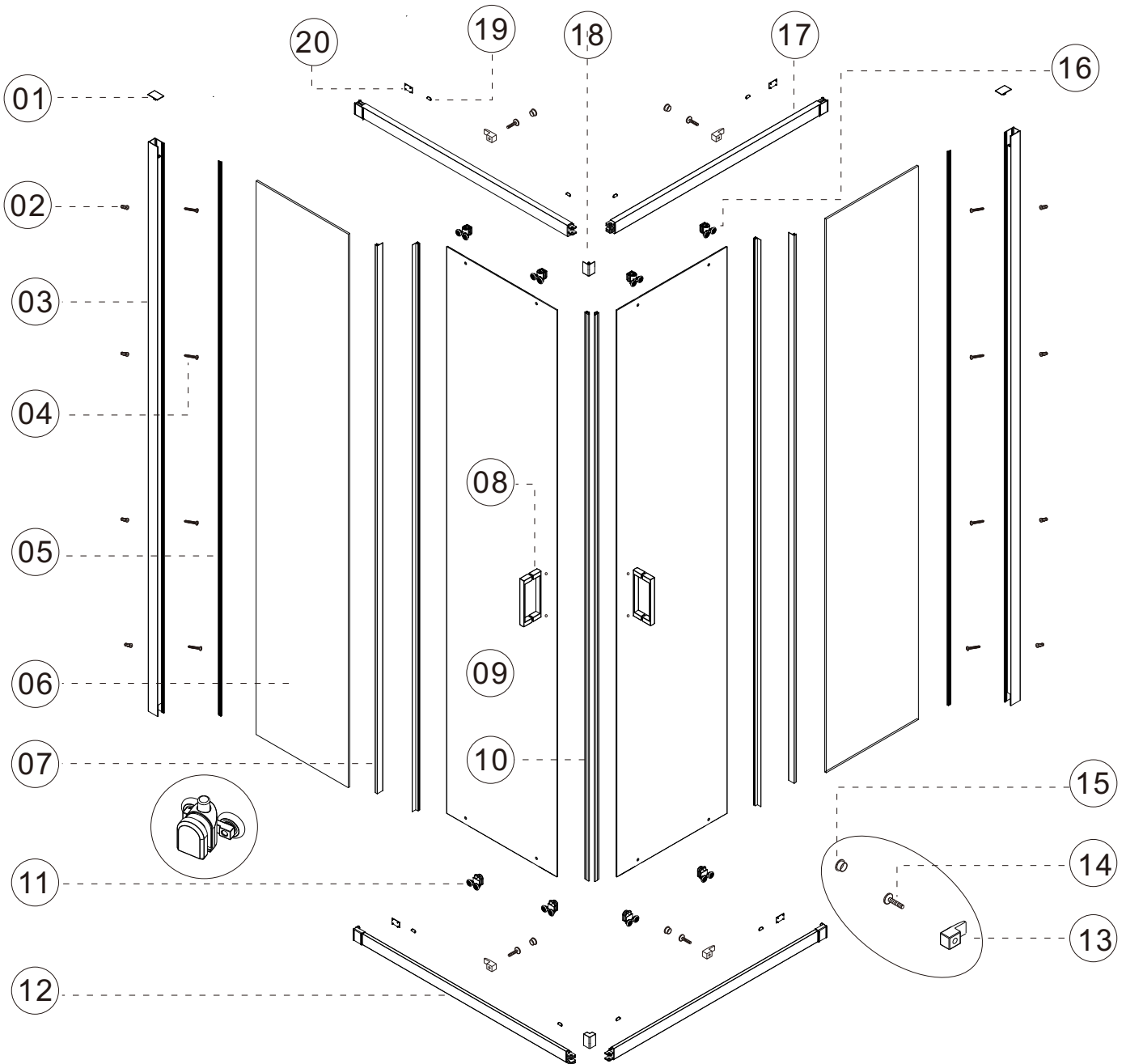




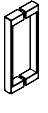
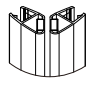


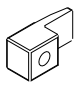

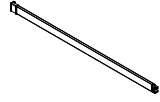

Hammer

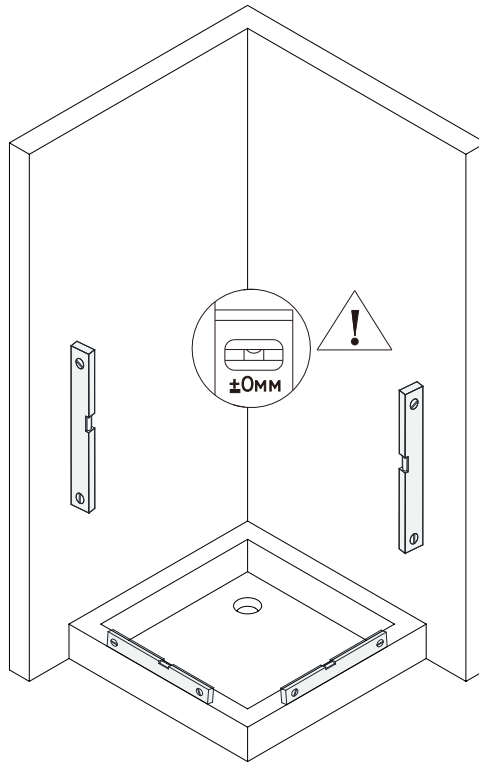


Knife

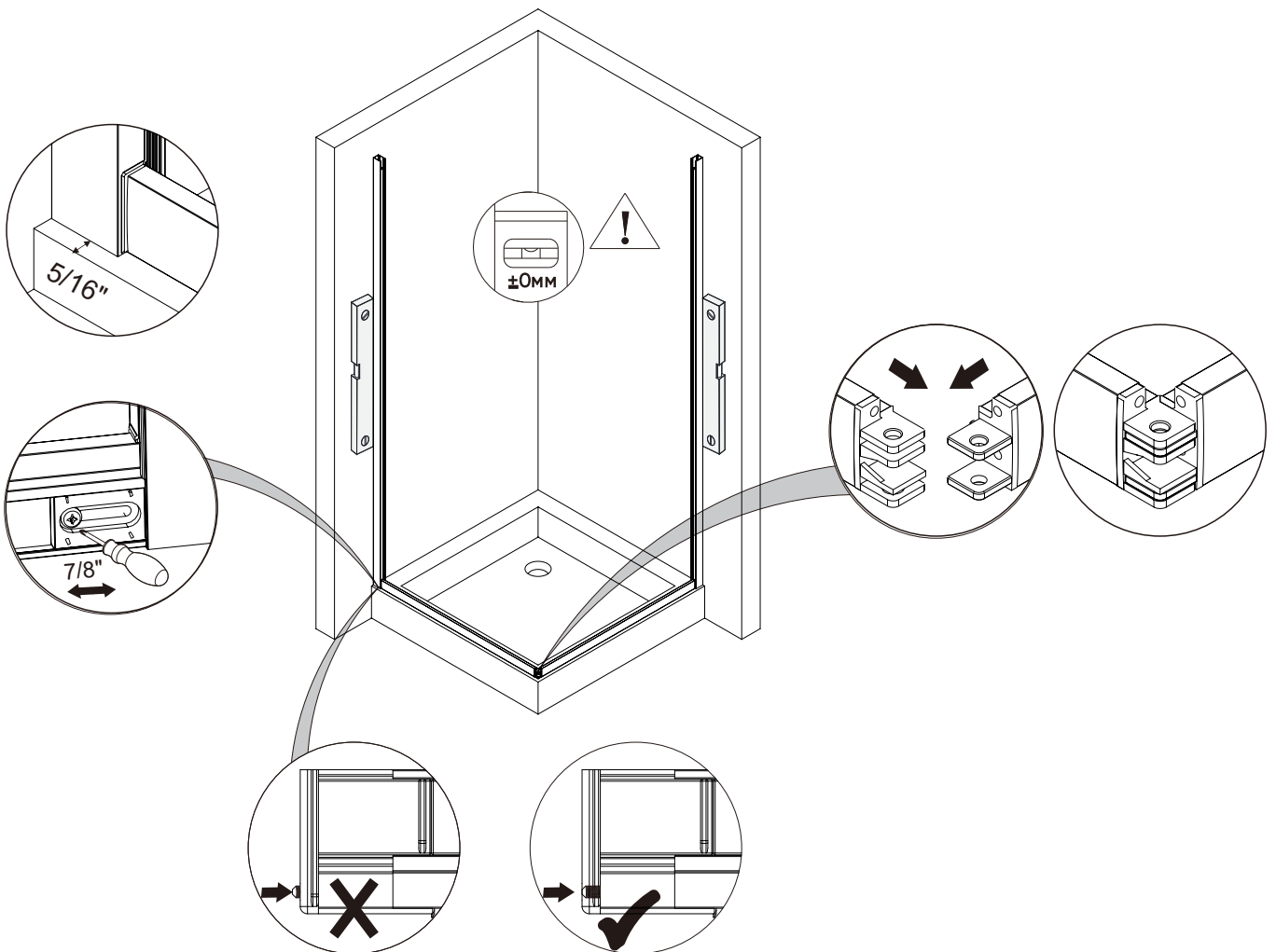
Detailed Diagram of Shower Door Components



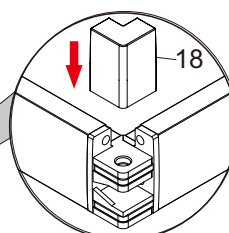
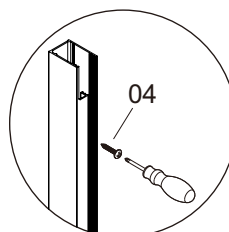
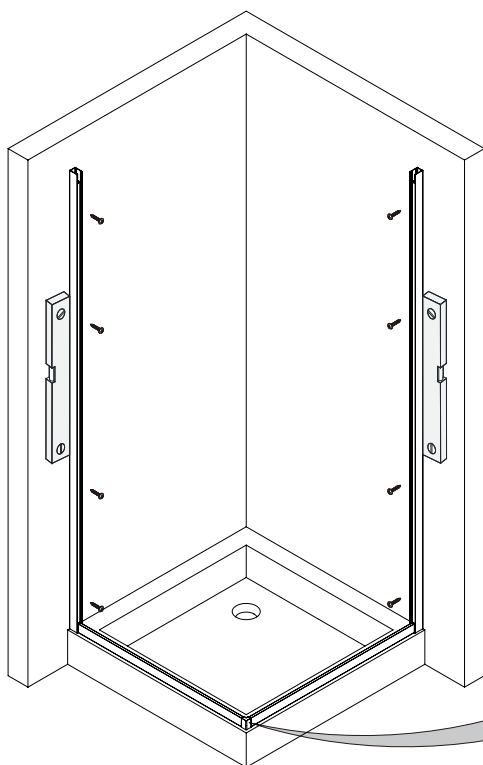
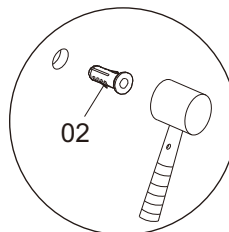
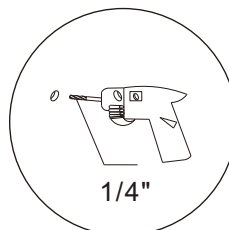
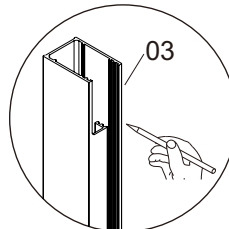
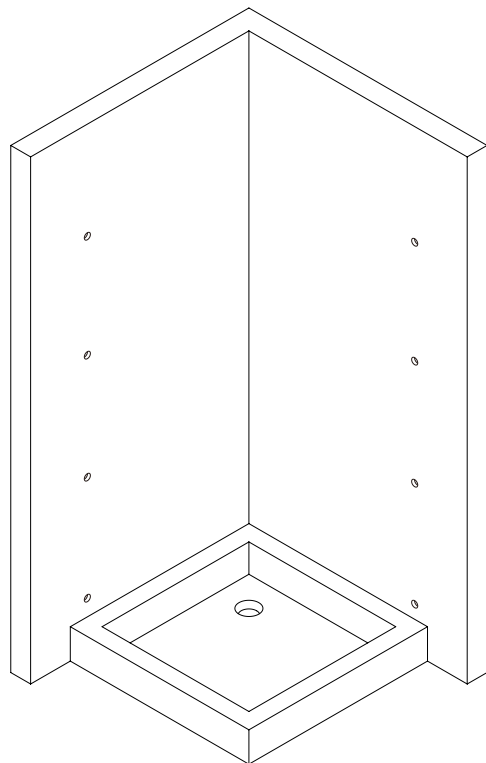
01  Wall profile cap x2	02  Wall Anchor (1/4"/6mm) x8	03  Wall Profile x2	04  St4x30 Truss Head Screw x8	05  Push-in Glazing Vinyl x2	06  Fixed Glass x2	07  Vertical Vinyl Strip x4
08  Handle x2	09  Door Glass x2	10  Magnetic Strike Vinyl x2	11  Double Roller Assembly (bottom) x4	12  Guide Rail (Left) x2	13  Glass Clip x4	14  St4x8 Truss Head Screw x4
15  Glass Clip Cap x4	16  Double Roller Assembly (top) x4	17  Guide Rail (Right) x2	18  Corner Connect Cap x2	19  Roller Stopper Cap x8	20  Cover Cap x4	



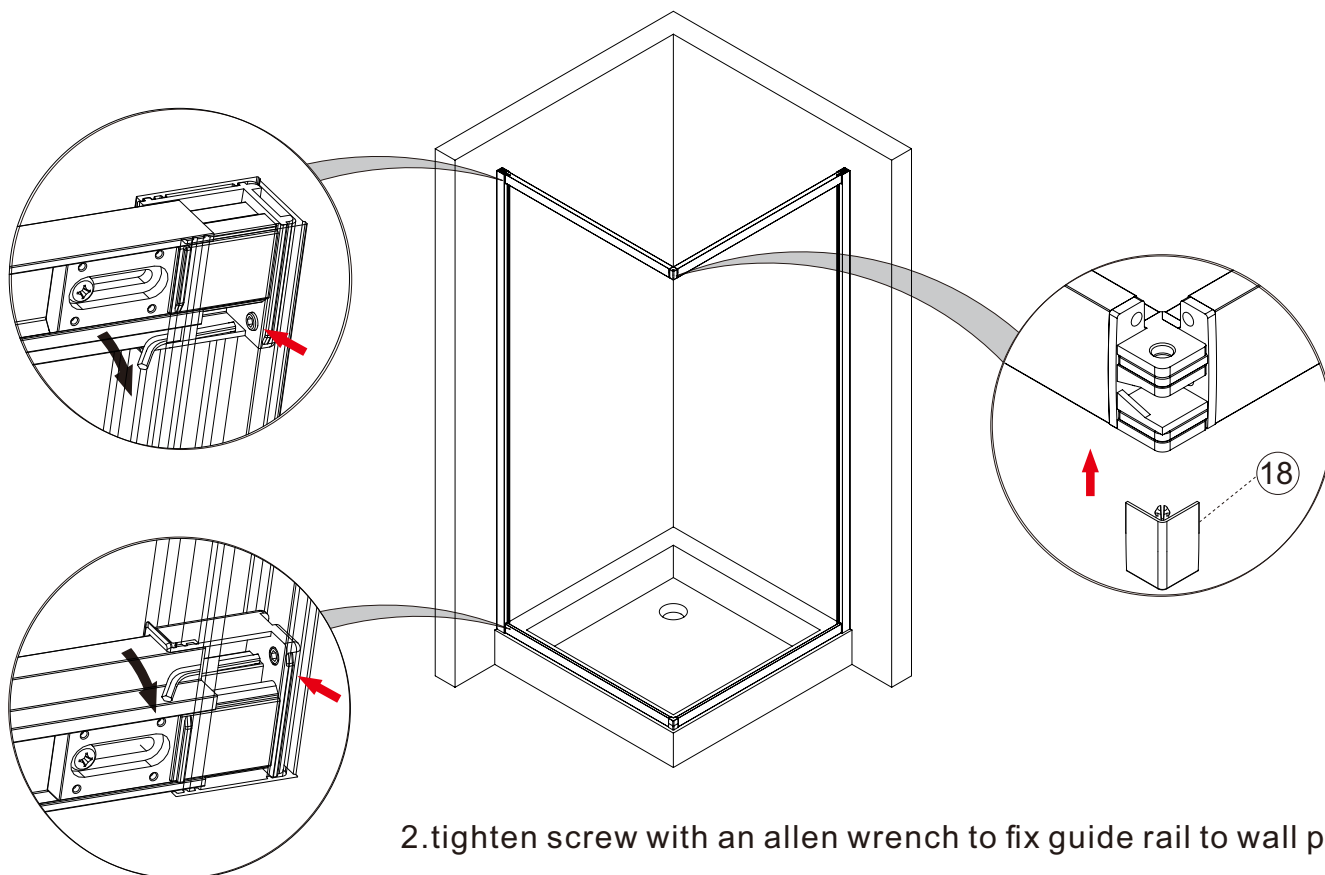
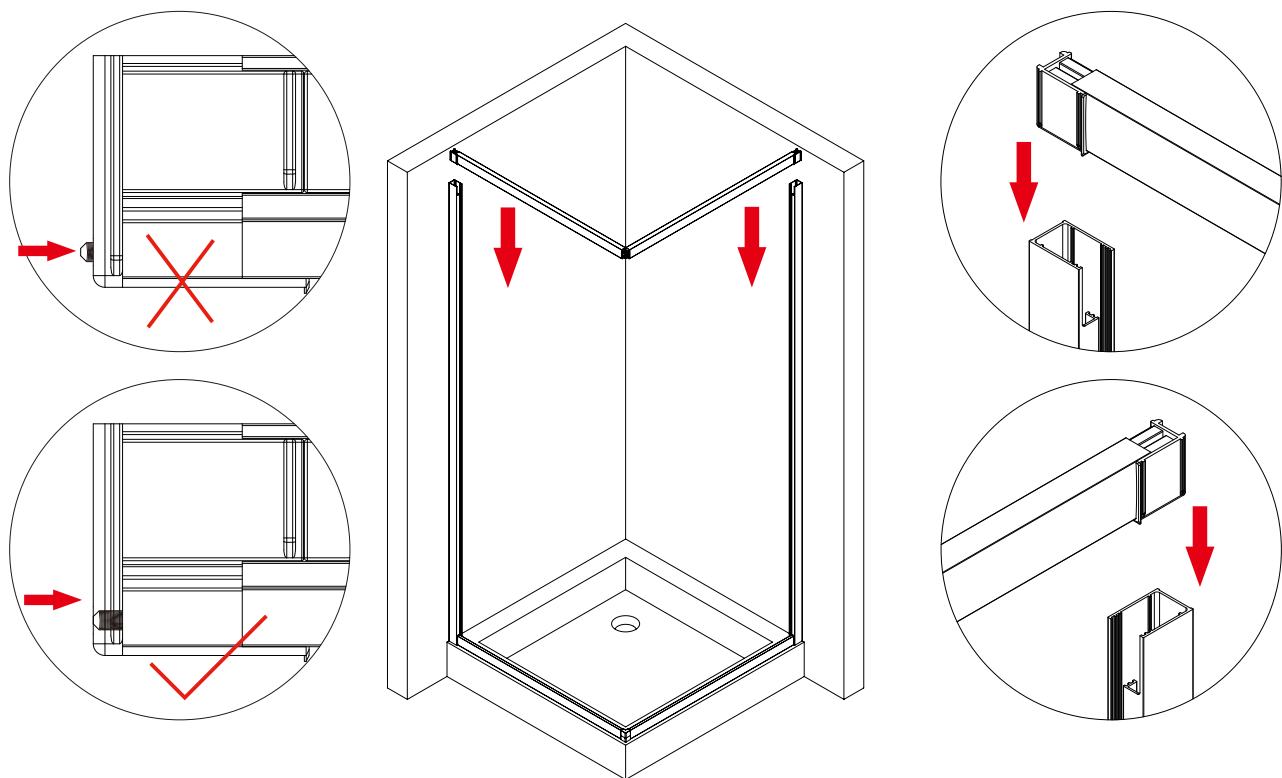
1. Minimum margin from the shower base edge 3/8".
2. 7/8" maximum out of plumb adjustment from top to bottom.



1. mark the drilling holes on the wall through the pre-drilled hole in the wall profiles(#03).
2. Drill the holes in the wall using a $\varnothing 1/4"$ drill bit.
3. Insert the wall anchors(#02) and drive them firmly using a hammer.
4. Attach the wall profiles(#03) to the wall using the St4x30 Truss head screw(#04).
5. Before insert bottom guide rail(#12) to the wall profile(#03).

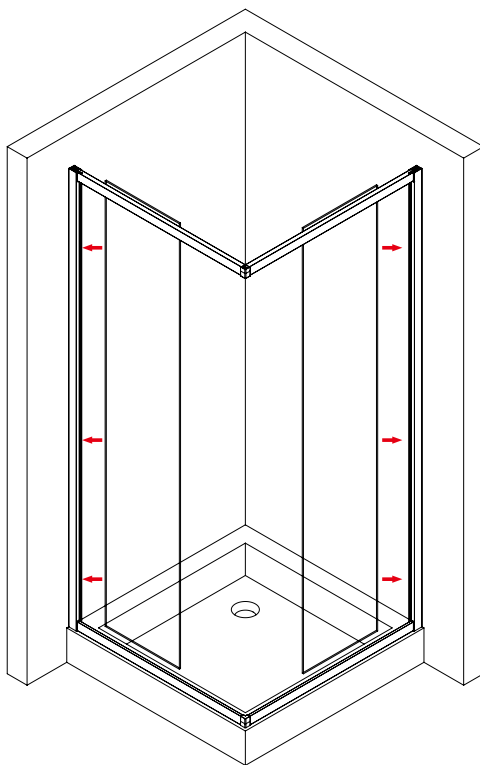


1. Insert the guide rail(#17) into the wall profile(#03).

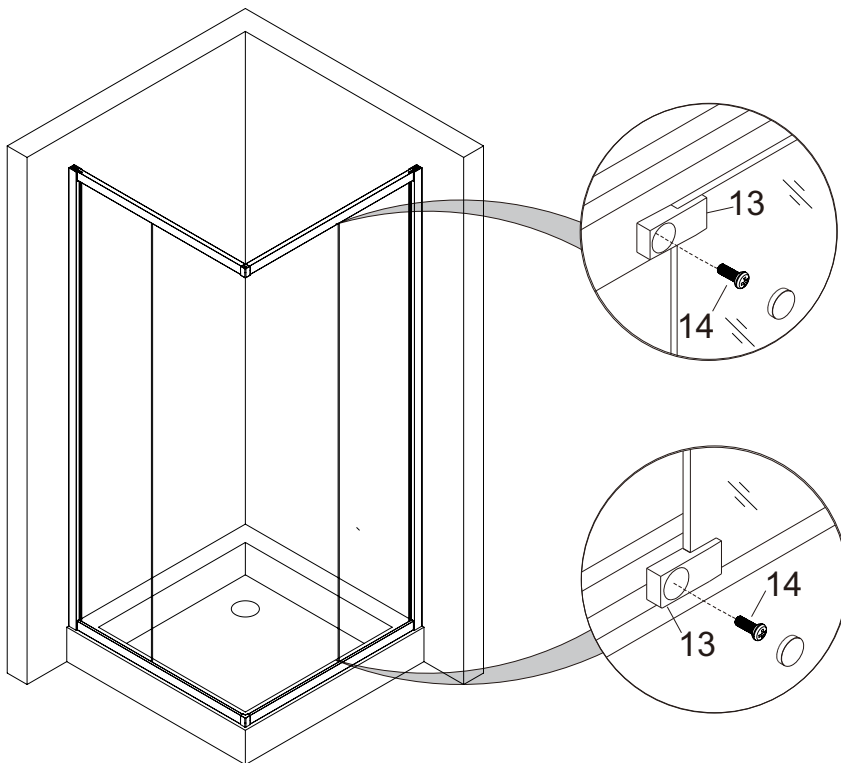


2. tighten screw with an allen wrench to fix guide rail to wall profile

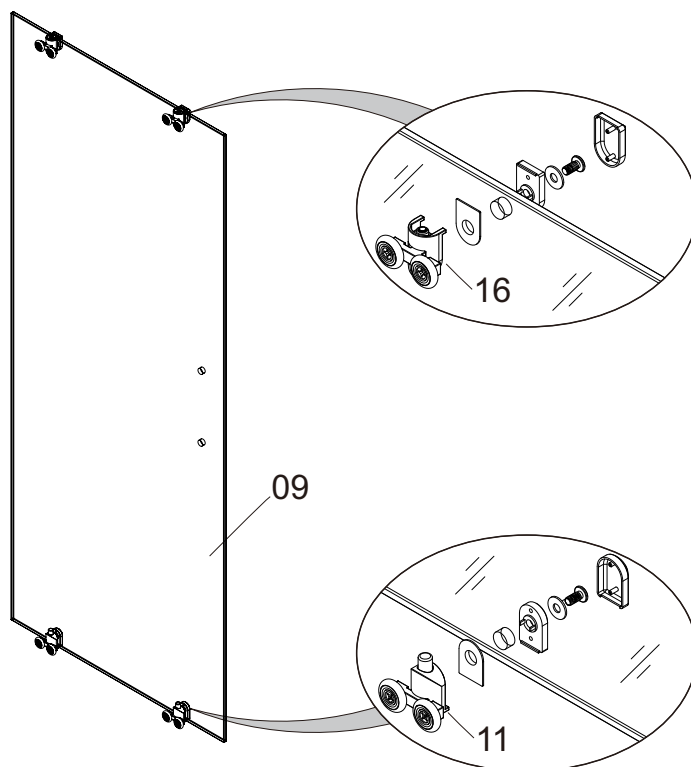
1. Fix the fixed panel(#09) into the installed wall profile(#03).



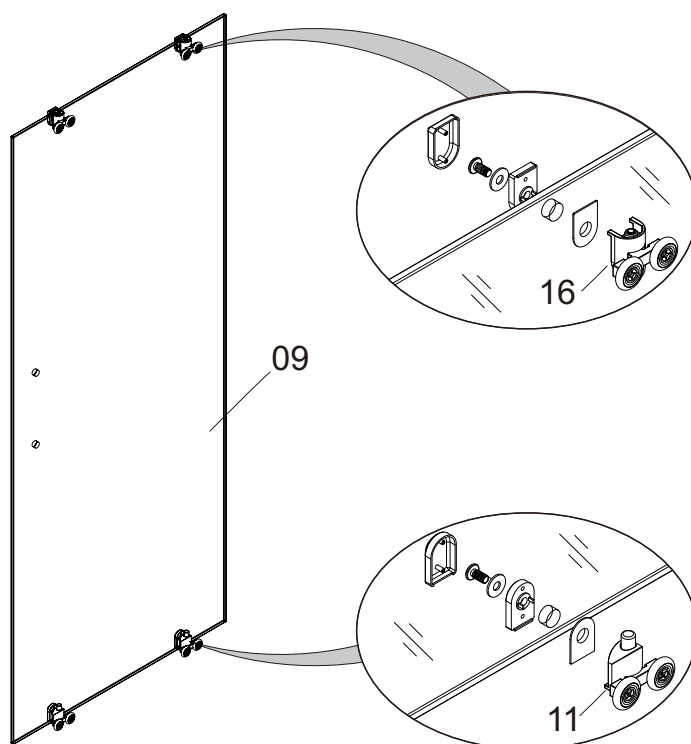
2. Secure the fixed panel(#09) to the guide rails using glass clips(#13).

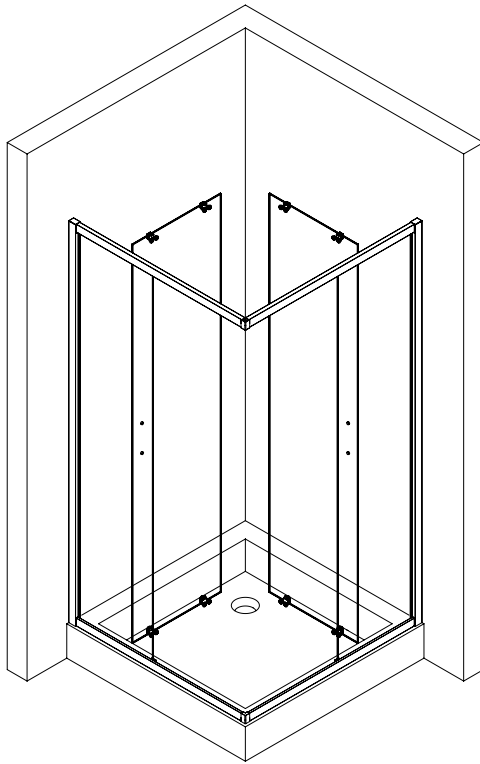


1. Fit the double roller assemble top(#16) on top of the door glass(#09).

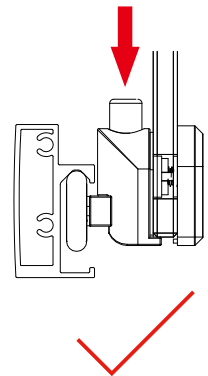
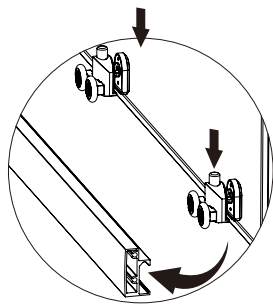
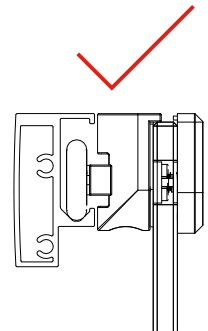
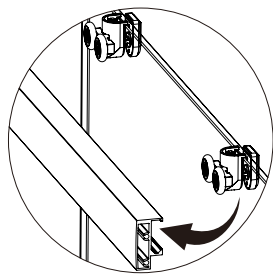
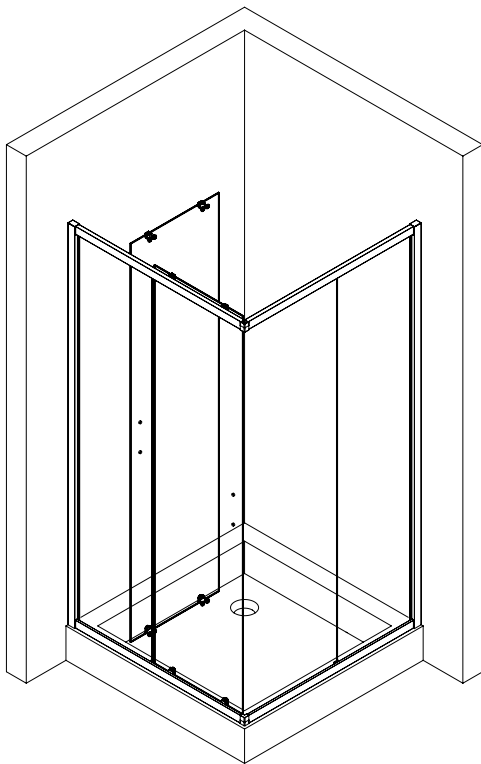


2. Fit the double roller assemble bottom(#11) on top of the door glass(#09).



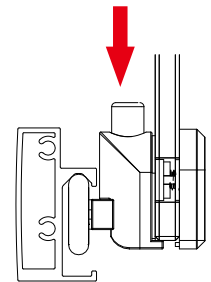
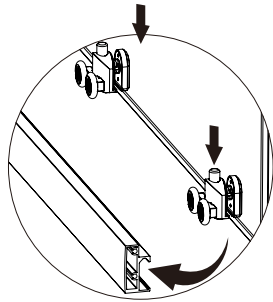
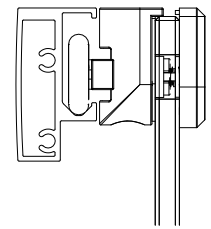
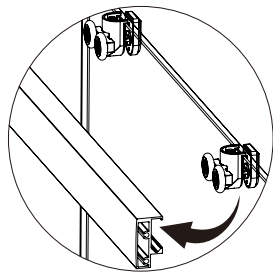
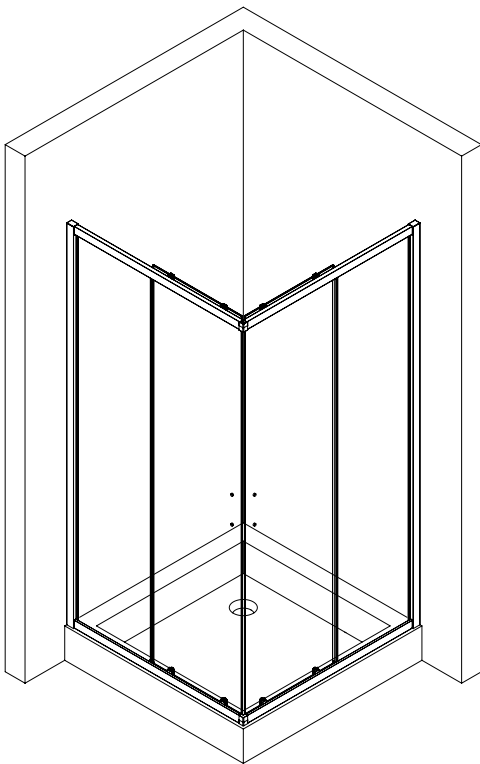


1. Lift the door assembly and fit the top roller(#16) into top rail.
2. Press the bottom roller(#11) to fit into the bottom rail.



1. Lift the door assembly and fit the top roller(#16) into top rail.

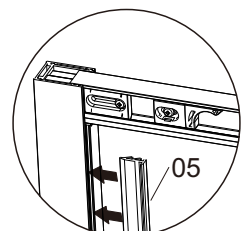
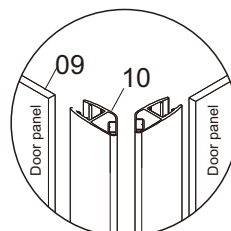
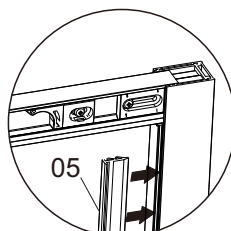
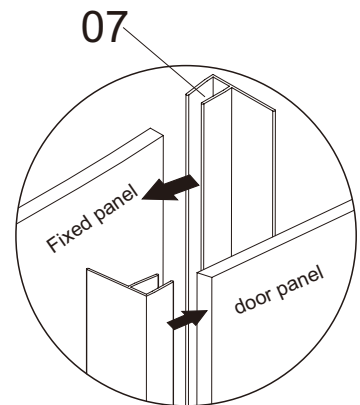
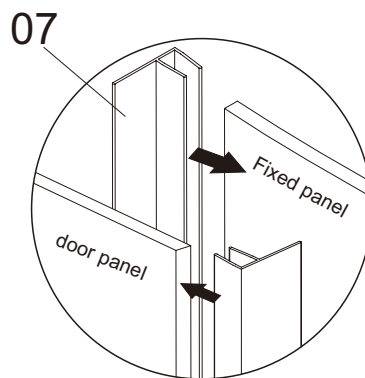
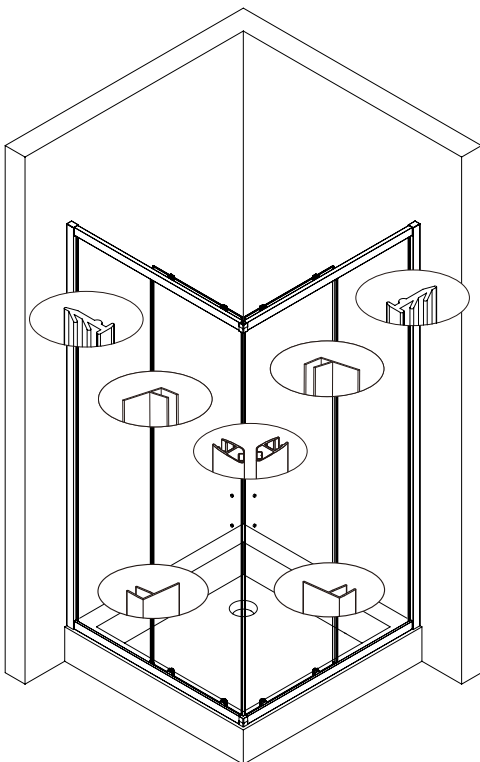
2. Press the bottom roller(#11) to fit into the bottom rail.



3. Fit the vertical vinyl strip(#07) on the door glass(#09) and fixed panel(#06).

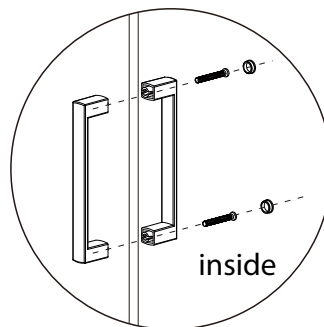
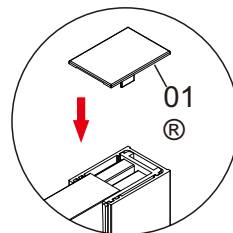
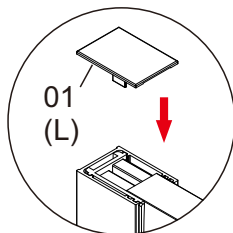
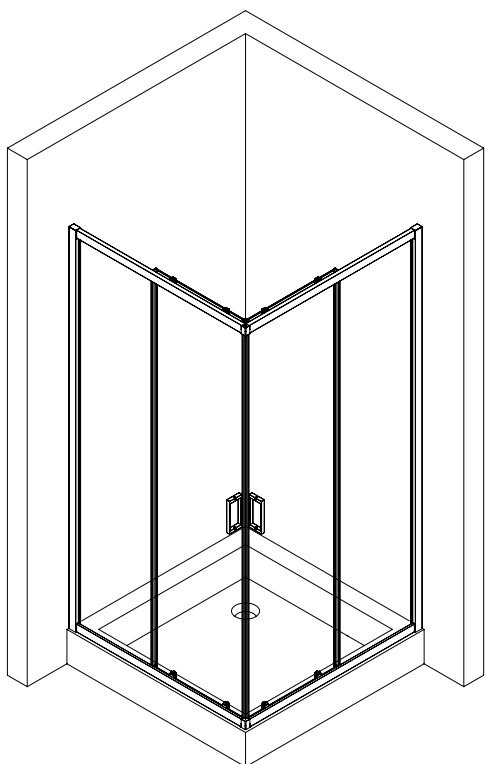
4. Fit the push-in glazing vinyl strip the gap between the fixed panel and wall profile.

5. Fit magnetic strikes vinyl(#10) on the door glasses(#09).

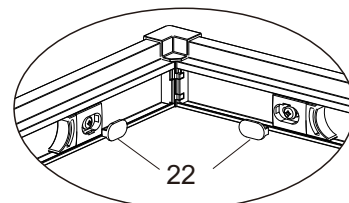
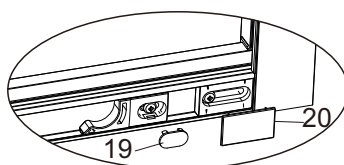
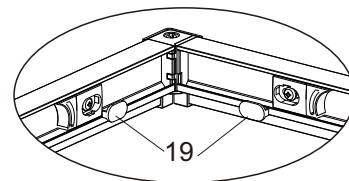
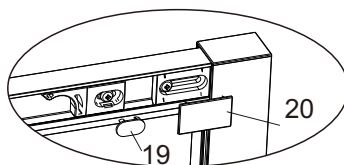
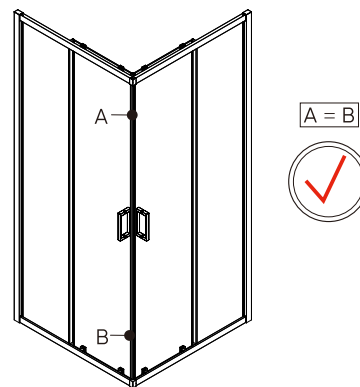
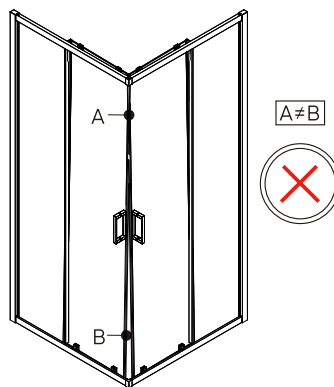
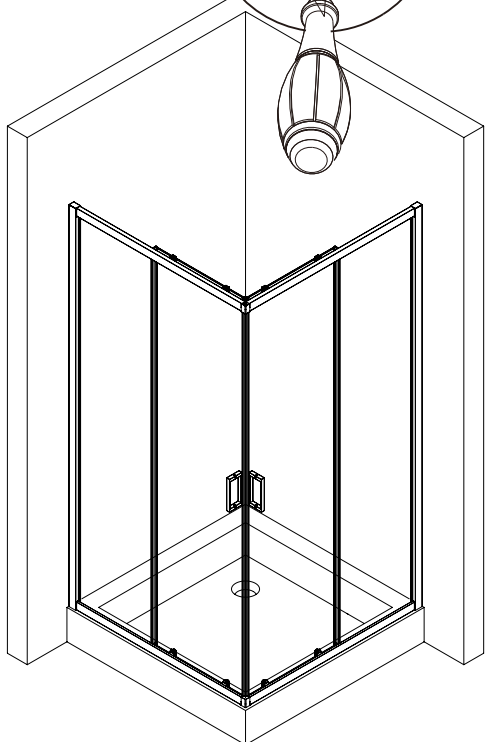
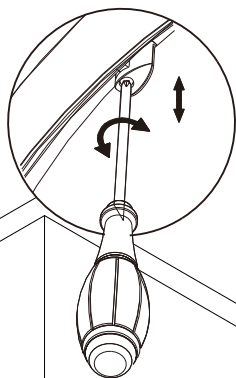


1. Lit the wall profile caps(#01) on the wall profiles(#03).

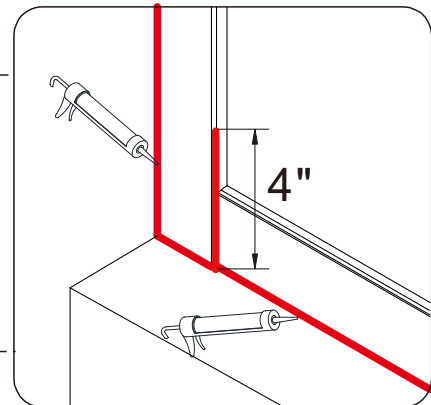
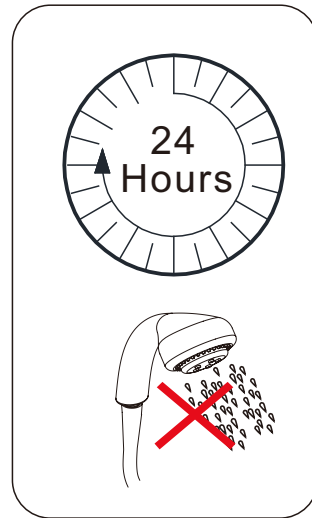
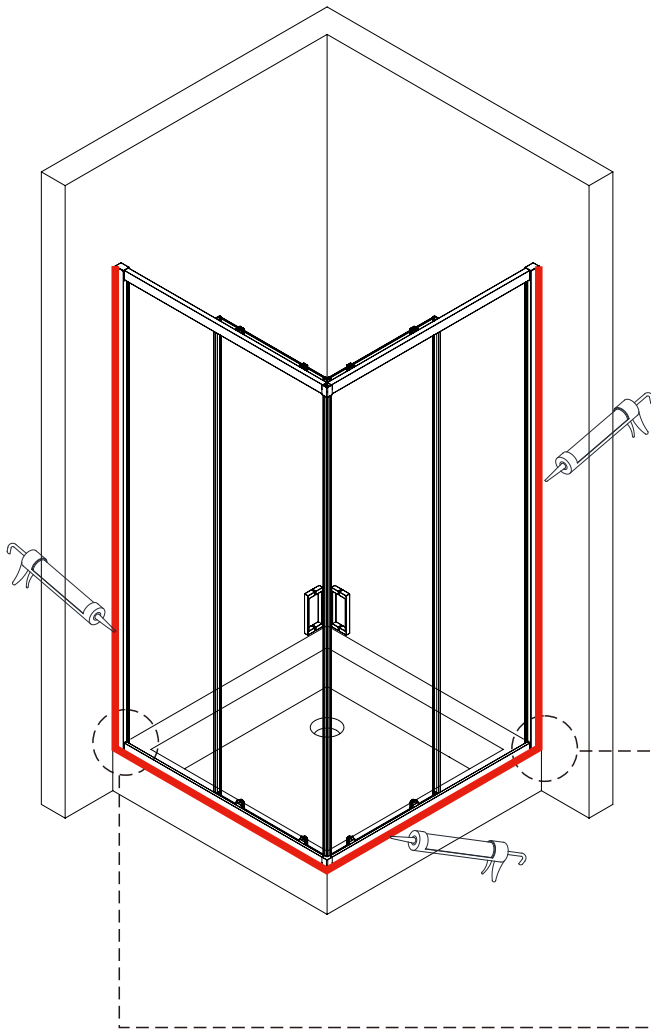
2. Lit the handles(#08) on the door glasses(#09).



3. Adjust the rollers(#16) to ensure there are no gaps between the magnet seals(#10).



Before sealing make sure all surface are clean, dry and free from any residue such as grout.
Use a quality silicone sealant and applicator gun to finish the door.
Seal between the wall and the wall profile.
Seal between the bottom of the fixed panel seal and the clip and at the base of the clip where
It sits on the frame.
Seal between the bottom profile and the tray/tile.
DO NOT USE THE ENCLOSURE FOR 24 HOURS.



Allow 24 hours for the silicone to cure before using the shower.