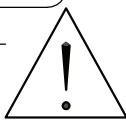
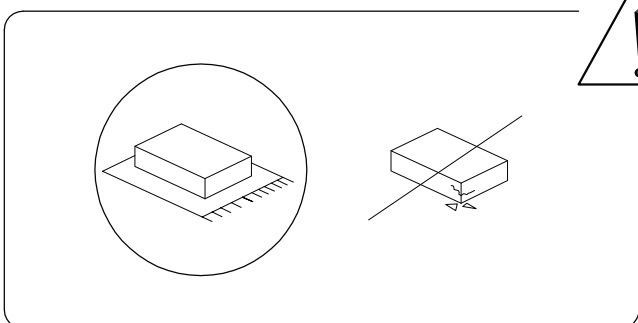
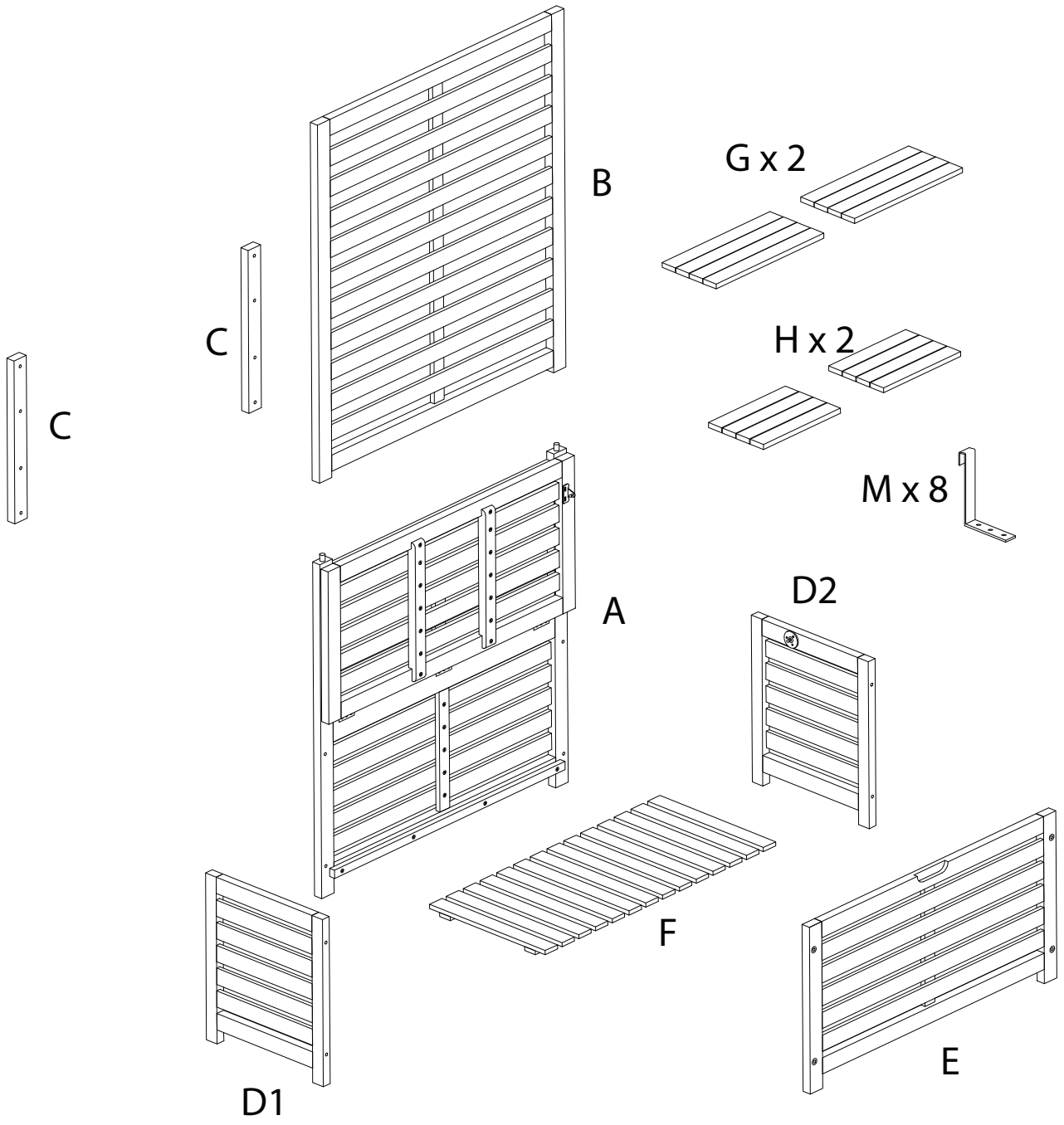
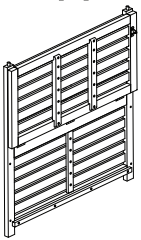
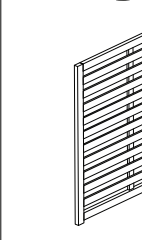
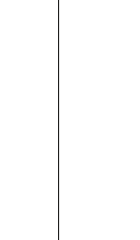
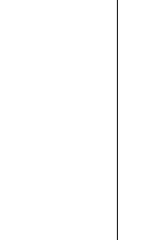
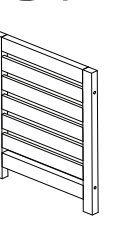


60'

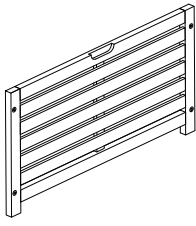


2



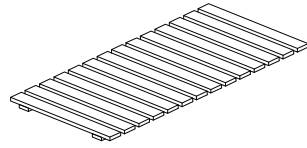
<p>A</p>  <p>x 1</p>	<p>B</p>  <p>x 1</p>	<p>C</p>  <p>x 2</p>	<p>D1</p>  <p>x 1</p>	<p>D2</p>  <p>x 1</p>
---	---	---	--	--

E



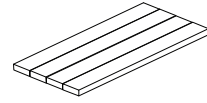
x 1

F



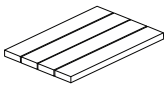
x 1

G



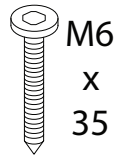
x 2

H



x 2

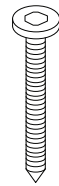
I



M6
x
35

x 8

J



M6
x
45

x 8

K



x 1

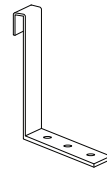
L



M4
x
15

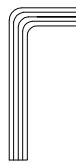
x 24

M



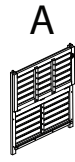
x 8

N



x 1

1



x 1



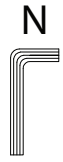
x 1



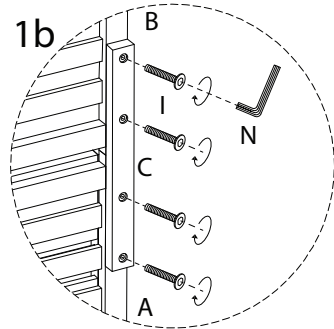
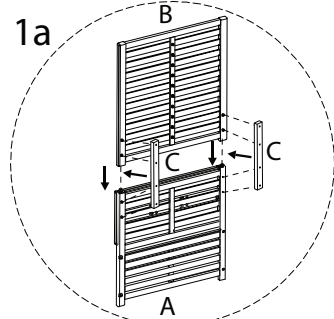
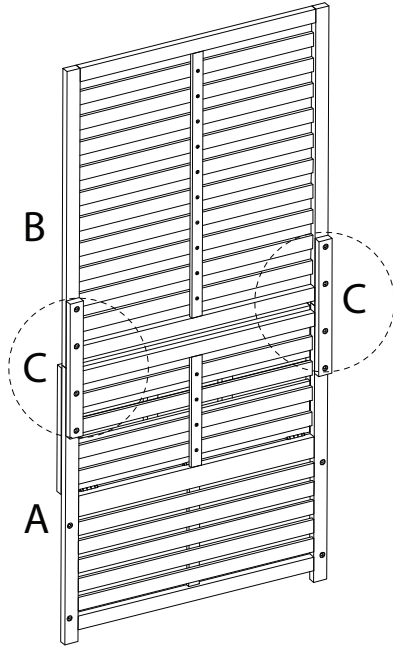
x 2



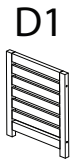
x 8



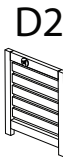
x 1



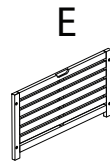
2



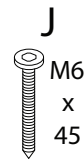
x 1



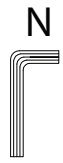
x 1



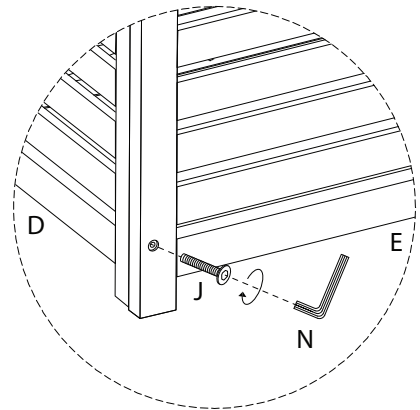
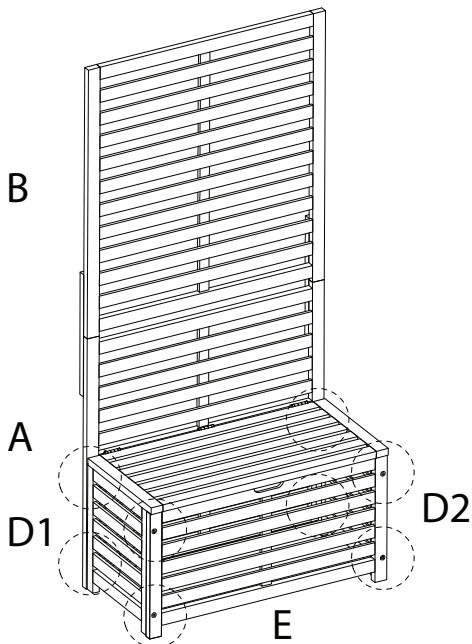
x 1



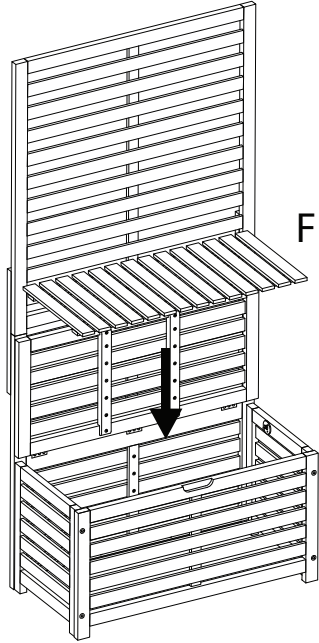
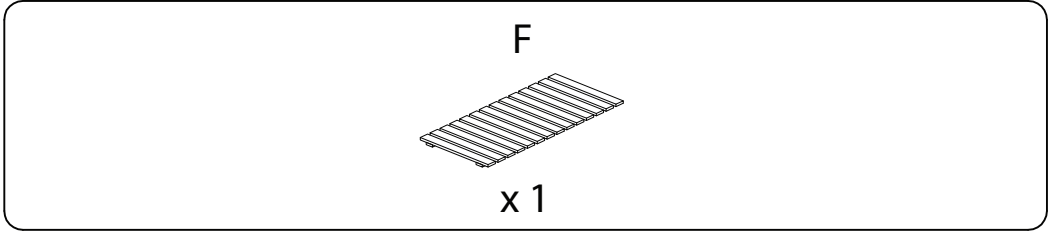
x 8



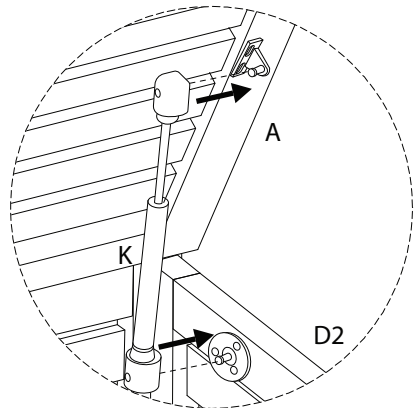
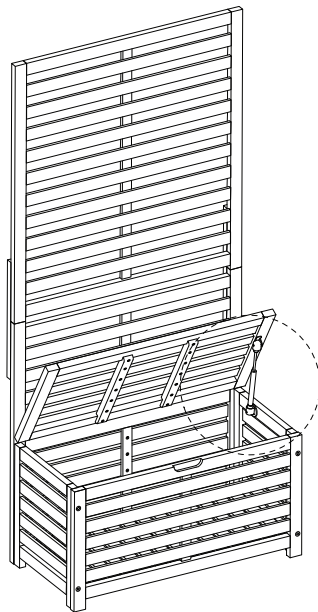
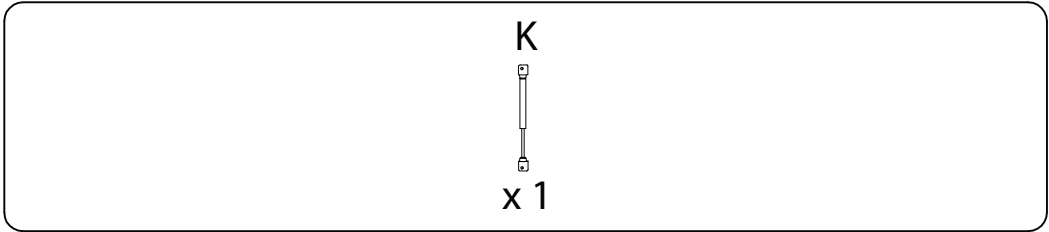
x 1



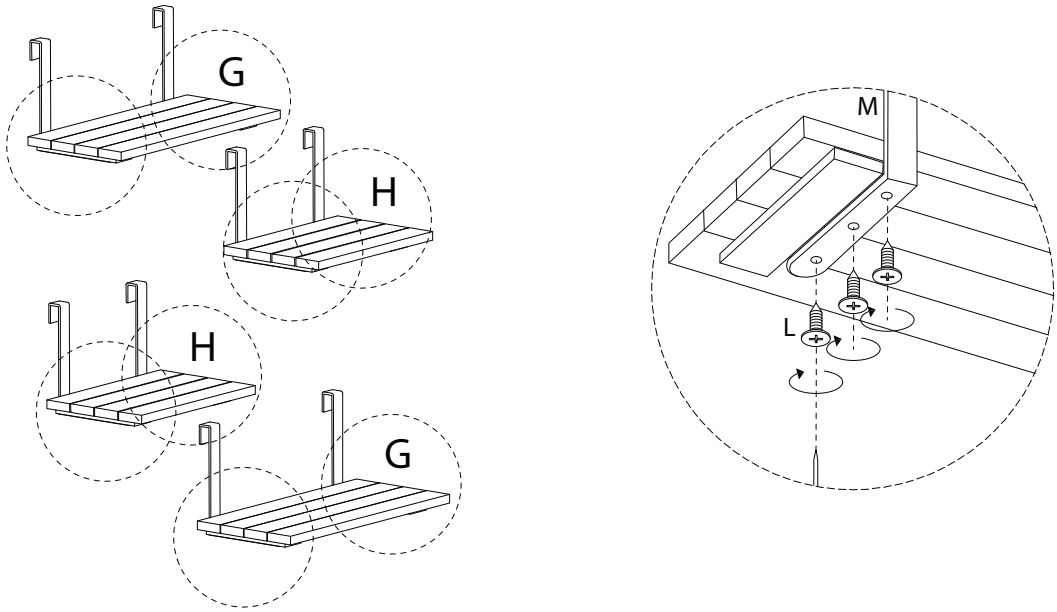
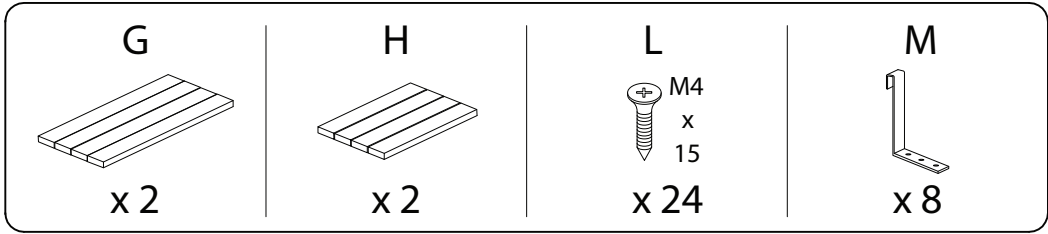
3



4



5



6

