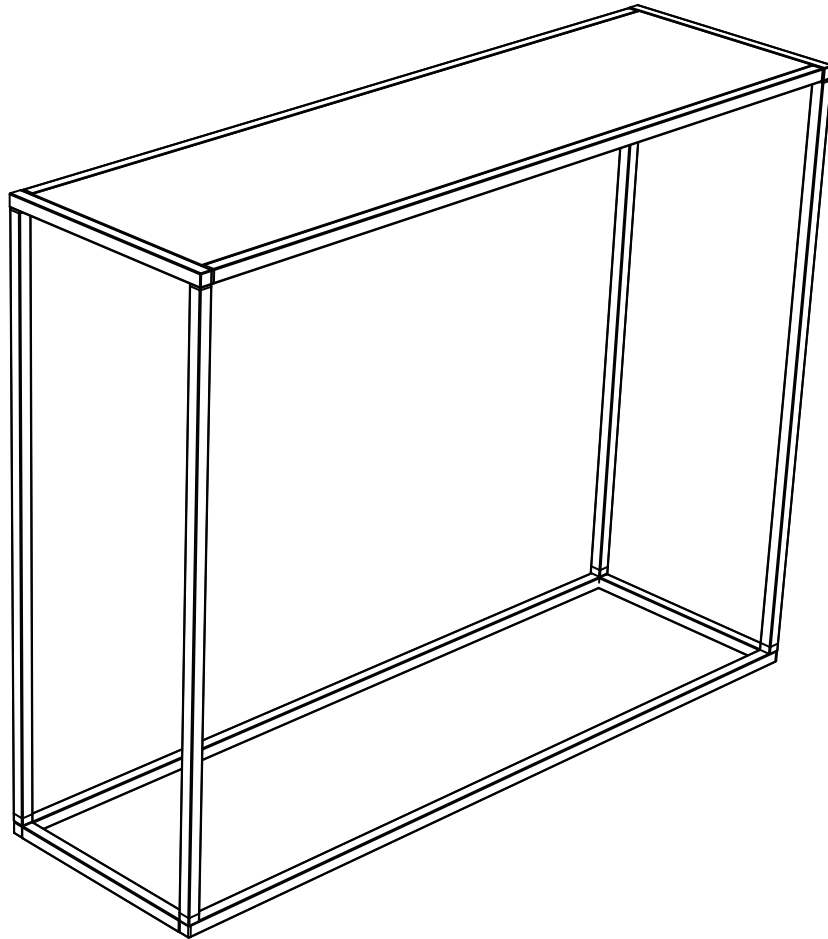


# FAUX MARBLE CONSOLE TABLE



## ASSEMBLY INSTRUCTIONS

---



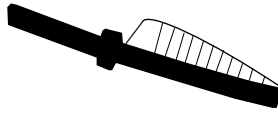
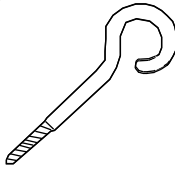
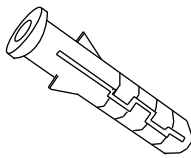
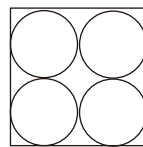
We have designed our furniture with you , the customer in mind . Our clear , easy to follow , step by step instructions will guide you through the project from start to finish . Feel confident that this will be a fun and rewarding project . The final product will be a quality piece of furniture that will go together smoothly and give years of enjoyment .

---

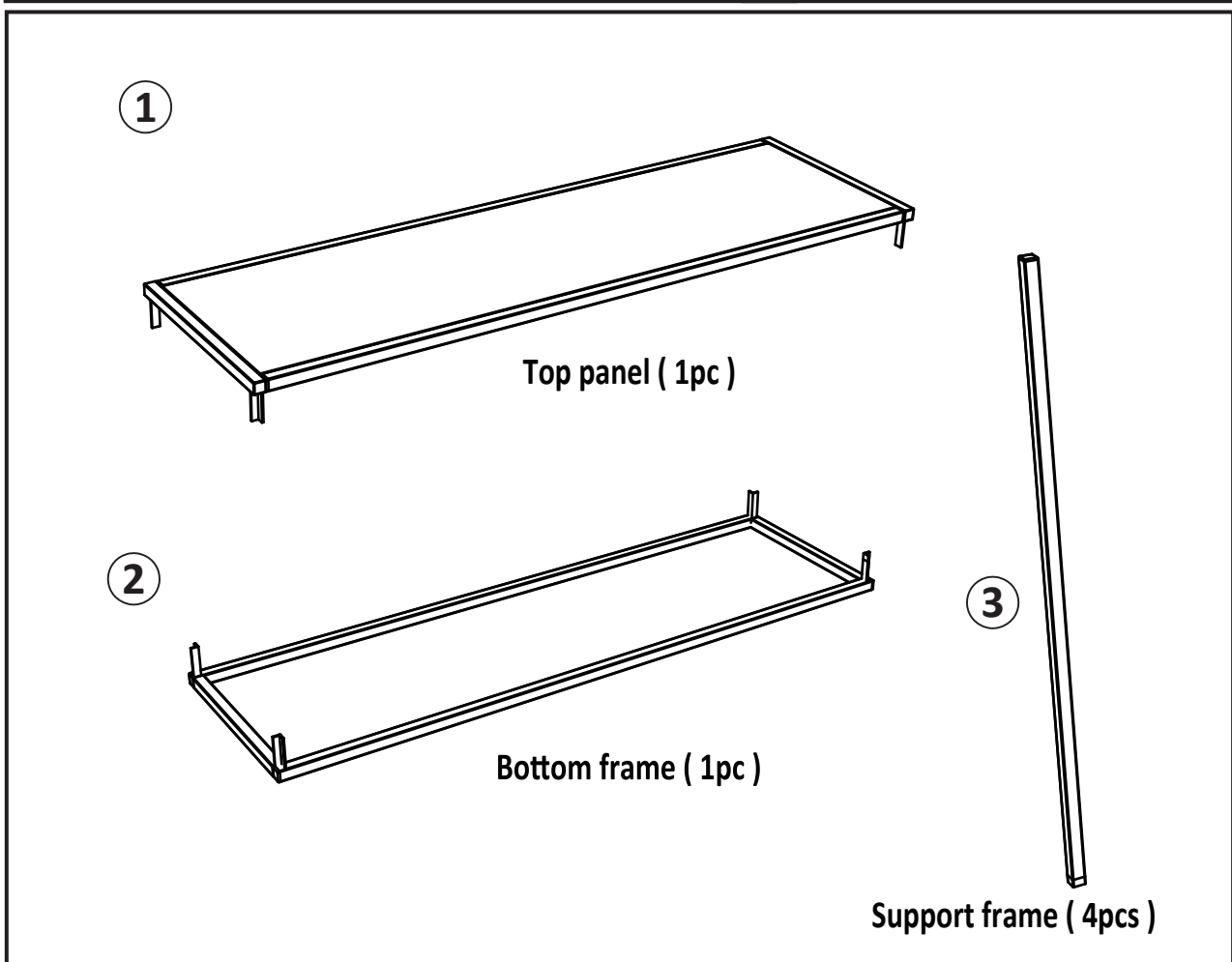


Please do not return to the store

## Hardware List

<b>A</b> 	<b>B</b> 	<b>C</b> 
Bolt ( 16pcs )	Allen wrench ( 1pc )	Cable tie ( 2pcs )
<b>D</b> 	<b>E</b> 	<b>F</b> 
Eyelet screw ( 2pcs )	Anchor ( 2pcs )	Foot ( 1pc )

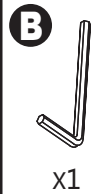
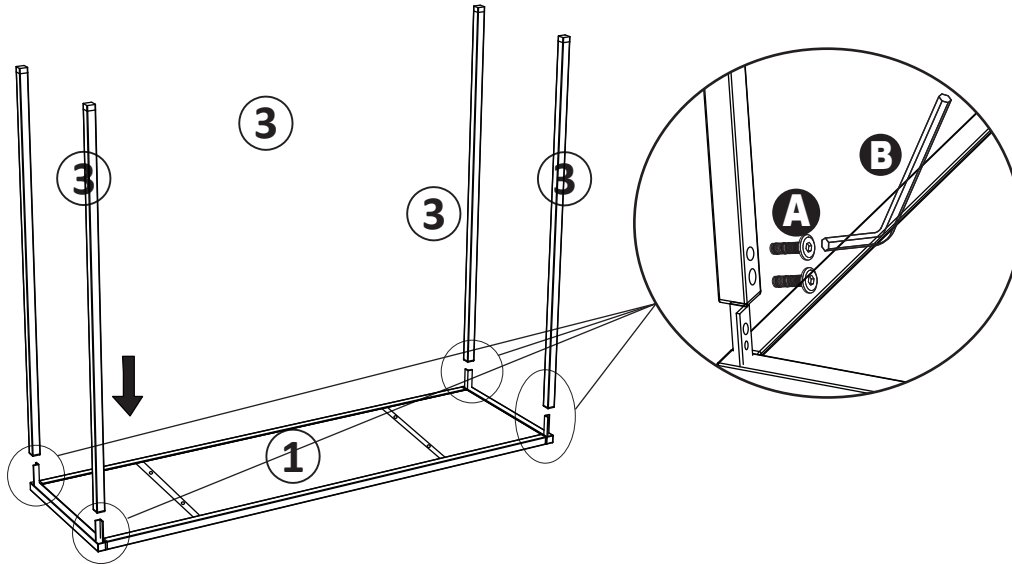
## Panel List



## Step 1

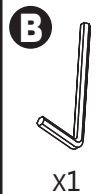
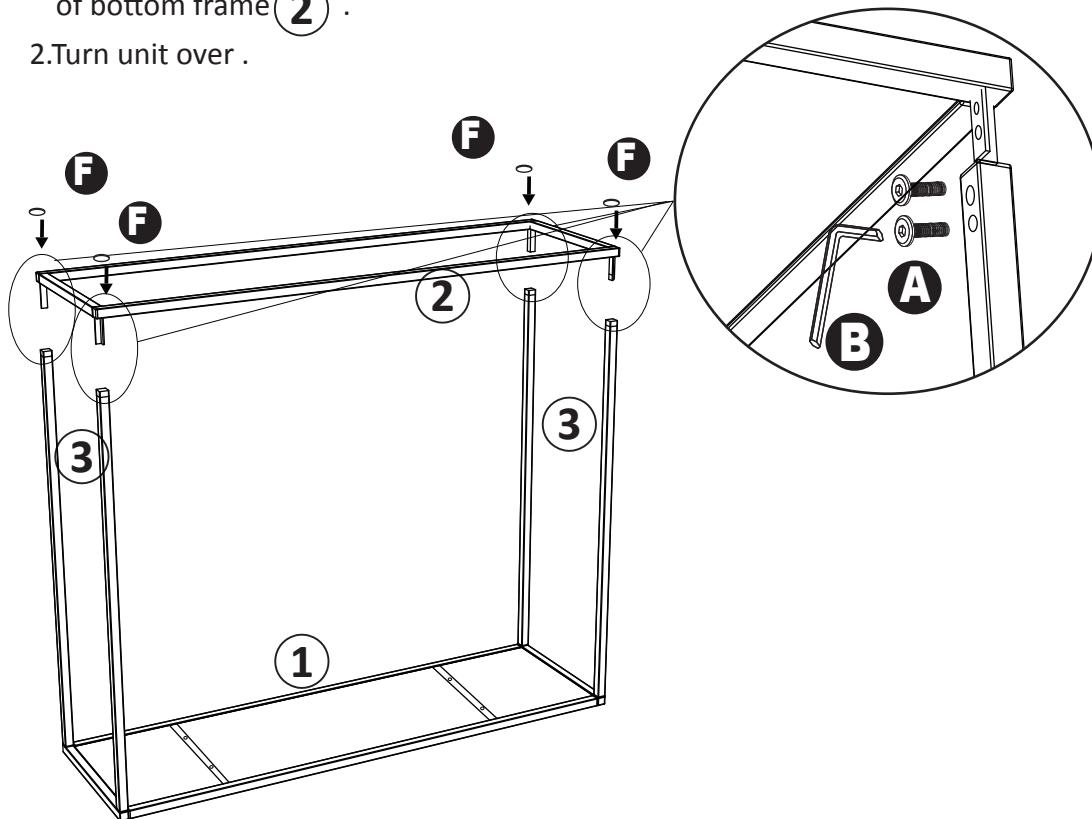
\*Assemble face down on carpet or soft surface.\*

1. Connect support frames (3) to top panel (1) as shown using bolts (A) and allen wrench (B).



## Step 2

1. Connect bottom frame (2) to support frames (3) as shown, using bolts (A) and allen wrench (B). Attach feet (F) to four corners of bottom frame (2).
2. Turn unit over.



### Step 3

1. Drill holes slightly smaller than anchors (E) into drywall and gently tap anchors into holes.
2. Insert eyelet screws (D) into anchors and fasten unit to wall using cable ties (C) .

