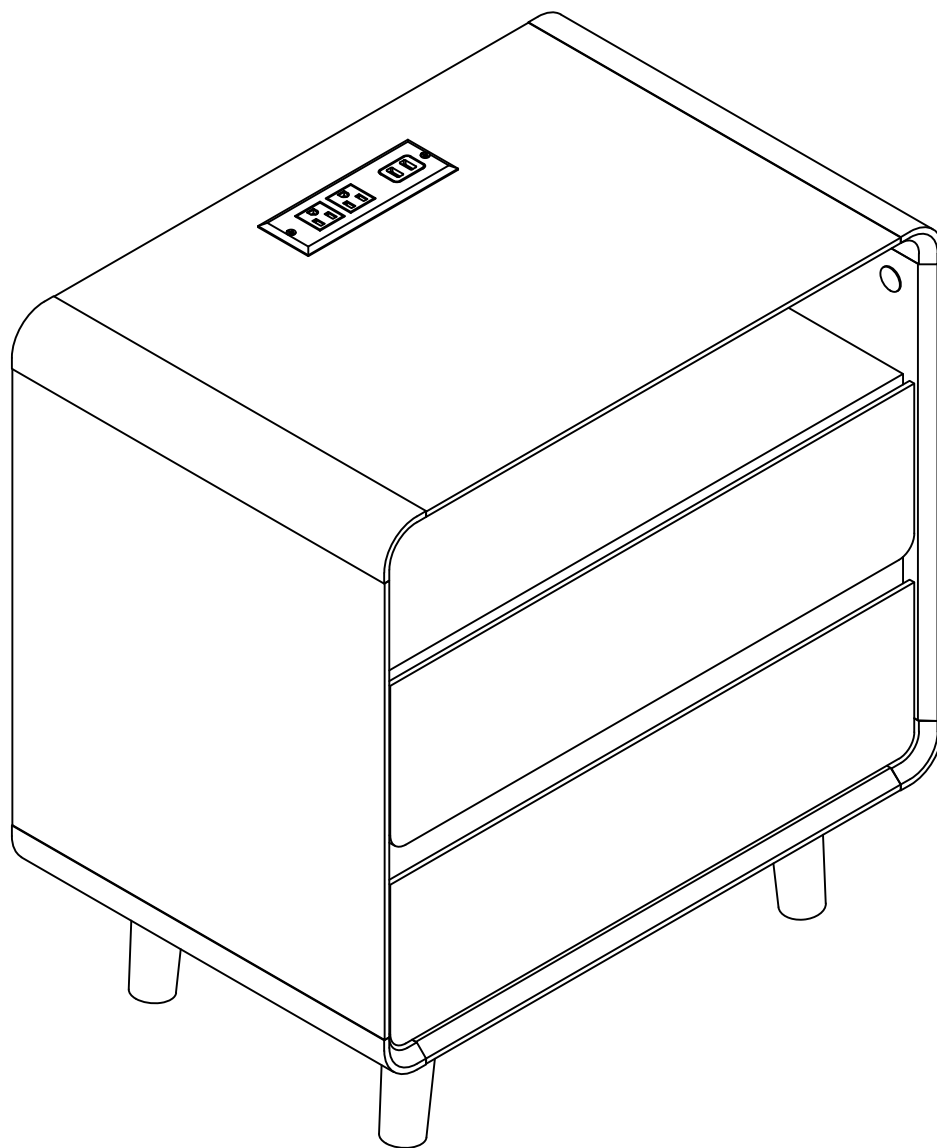
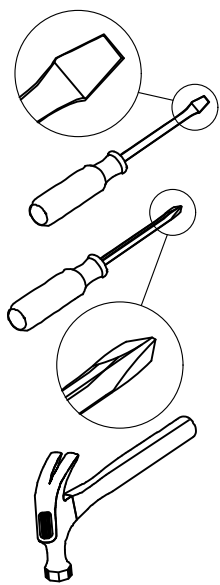


Assemble Instruction



As this item contains many parts, please read the installation instruction carefully before installation and complete the installation with the cooperation of your partner. Please use tools properly and carefully. If you have any questions about the product and installation, please contact us.

Before You Start

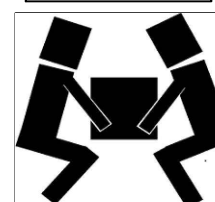
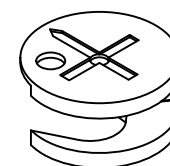
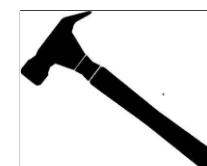
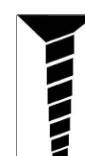
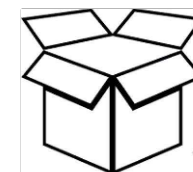


- ✓ Read through each step carefully and follow the proper order
- ✓ Separate and count all your parts and hardware
- ✓ Give yourself enough room for the assembly process
- ✓ Have the following tools: Flat Head Screwdriver, #2 Phillips Head Screwdriver and Hammer
- ✓ Caution: If using a power drill or power screwdriver for screwing, please be aware of to slow down and stop when screw is tight. Failure to do so may result in stripping the screw. (Assembly speed can be increased by using electric screwdriver)

Helpful Hints

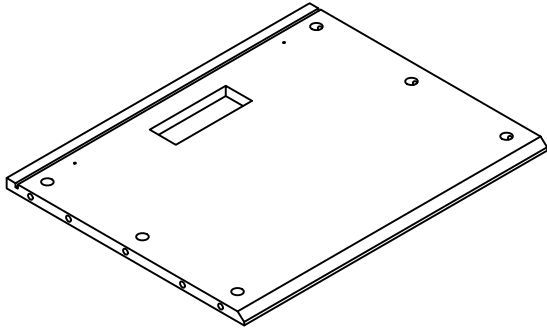
PEOPLE NEEDED FOR ASSEMBLY: 1-2

- Open your item in the area you plan to keep it to avoid excessive heavy lifting.
- Identify, sort and count the parts before attempting assembly.
- Compression dowels are lightly tapped in with a hammer.
- Slides are labeled with an **R** (right) and **L** (left) for proper placement.
- Make sure to always face the point on the top of the Cam Lock towards the outer edge.
- If there is a back panel in the package, please install it to make sure your unit is complete and sturdy.
- Please fix all the screws provided for the back panel which can enhance product stability. If it is difficult to fix it when tightening, it can be fixed with the help of a hammer and then tightened.
- Do NOT use harsh chemicals or abrasive cleaners on this item.
- Never push, pull, or drag your furniture.



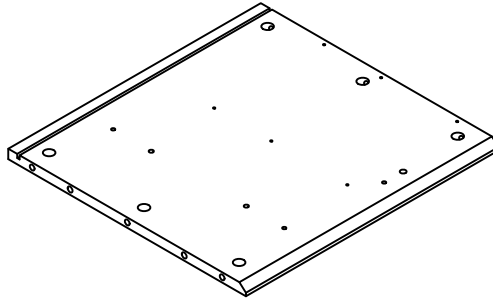
Board Identification

Not actual size



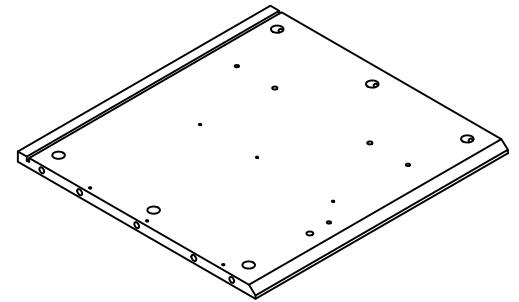
Ⓐ

Qty:1



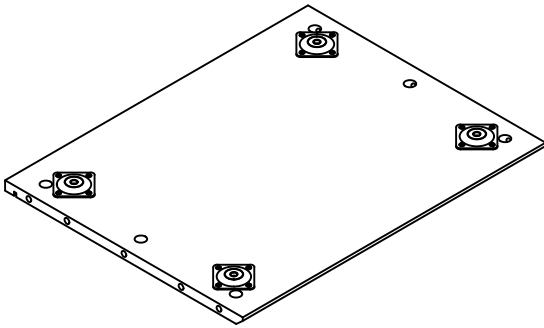
Ⓑ

Qty:1



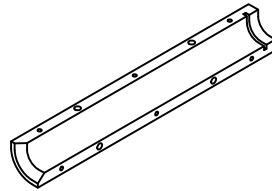
Ⓒ

Qty:1



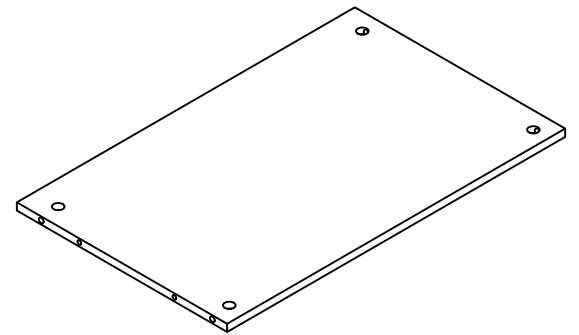
Ⓓ

Qty:1



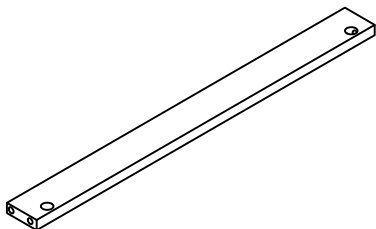
Ⓔ

Qty:4



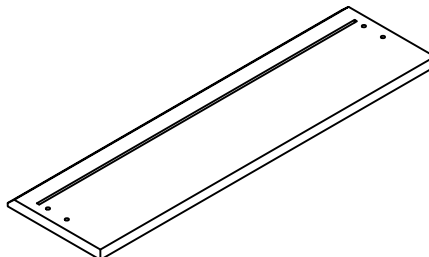
Ⓕ

Qty:1



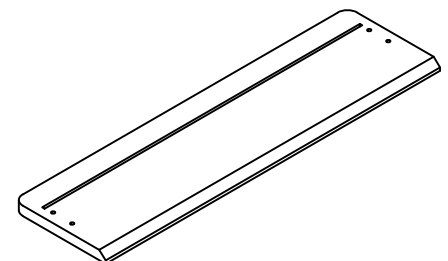
Ⓖ

Qty:1



Ⓗ

Qty:1

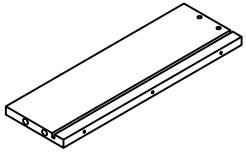


Ⓖ

Qty:1

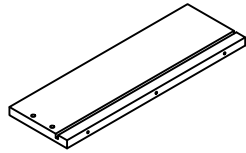
Board Identification

Not actual size



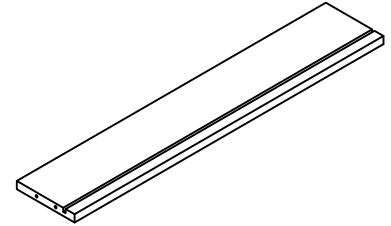
ⓐ

Qty:2



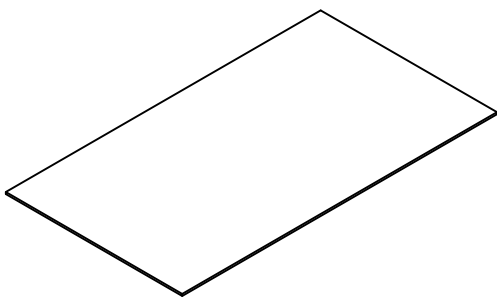
ⓑ

Qty:2



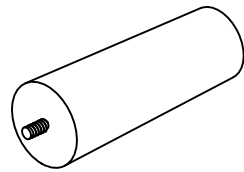
ⓒ

Qty:2



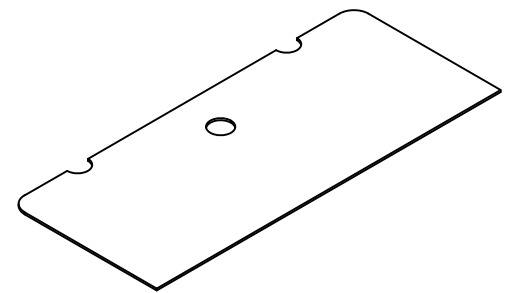
ⓓ

Qty:2



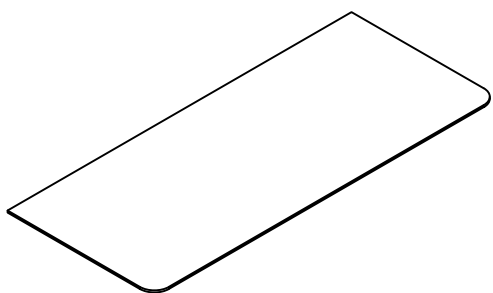
ⓔ

Qty:4



ⓕ

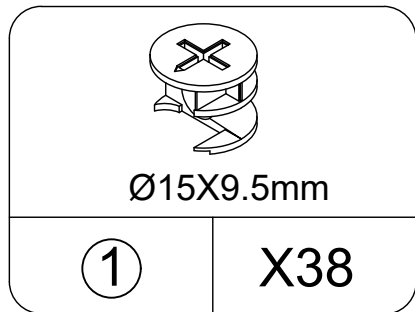
Qty:1



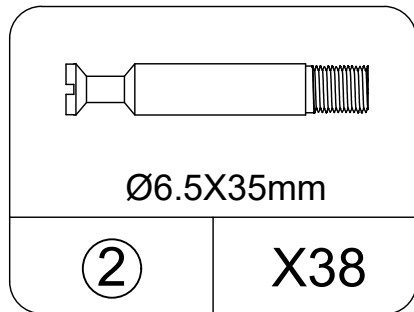
ⓖ

Qty:1

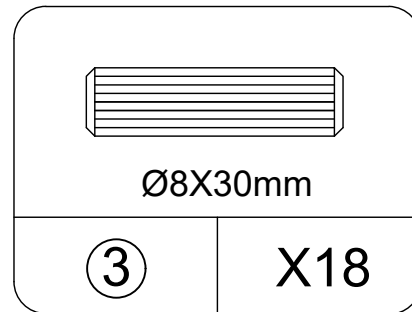
Part List



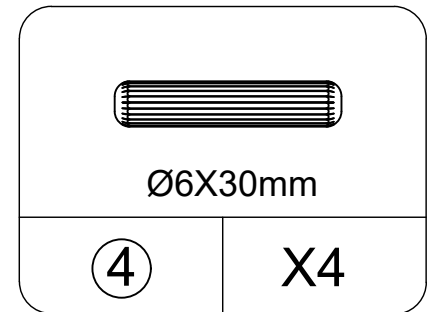
CAM LOCK
spare:2



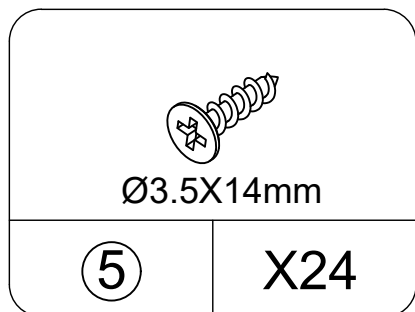
CAM BOLT
spare:2



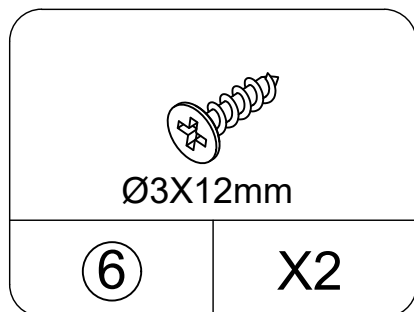
WOOD DOWEL
spare:2



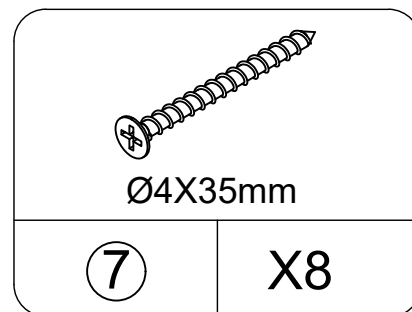
WOOD DOWEL
spare:1



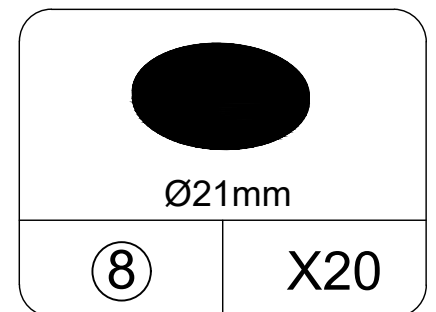
CONFIRMAT SCREWS
spare:2



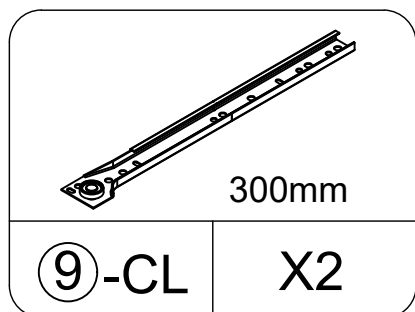
CONFIRMAT SCREWS
spare:1



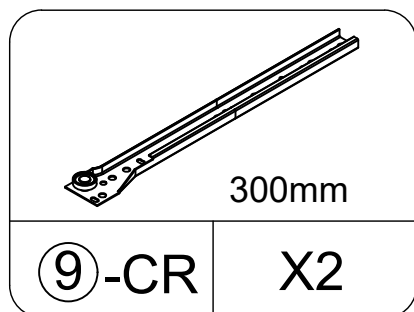
CONFIRMAT SCREWS
spare:1



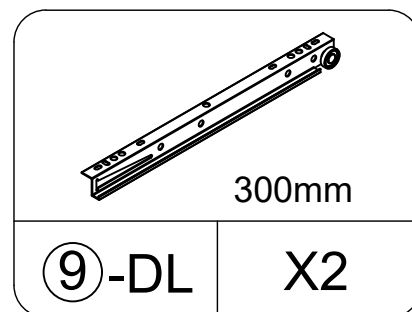
PERFECT STICKER
spare:2



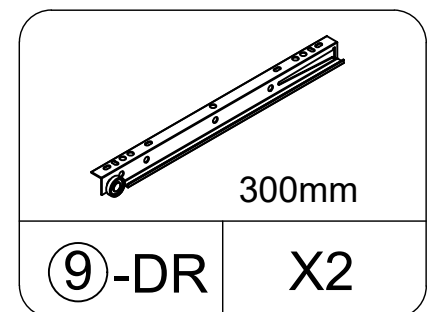
LEFT CABINET MEMBER



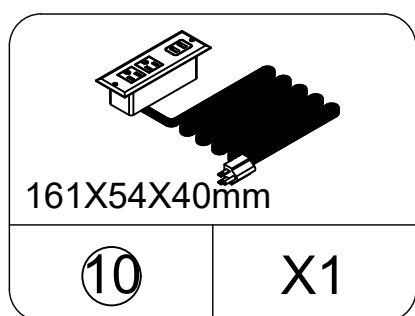
RIGHT CABINET MEMBER



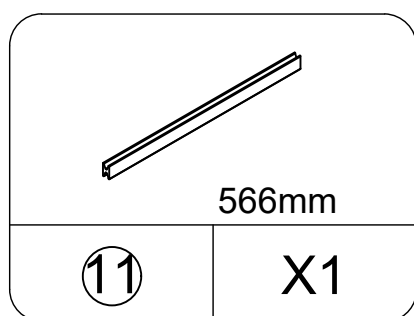
LEFT DRAWER RUNNER



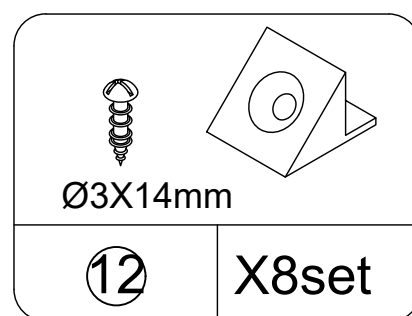
RIGHT DRAWER RUNNER



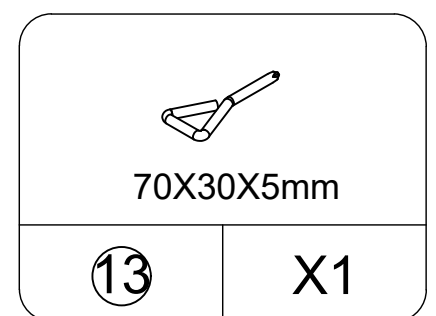
USB SOCKET



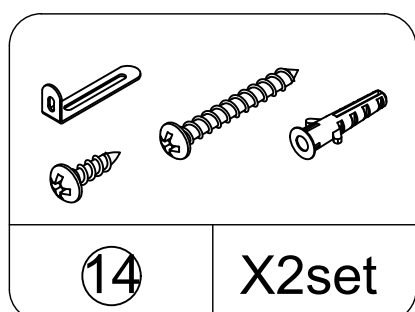
H-STRIP



BACK PANEL BUCKLE
spare:1



HEX KEY



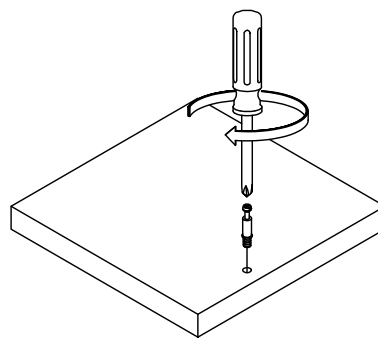
ANTI-DUMPING

Part List

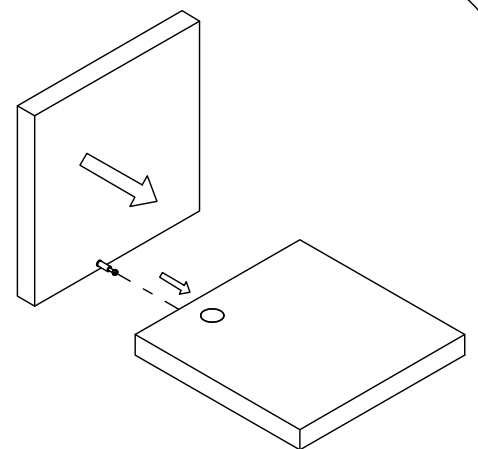
Cam Lock Fastening System

Insert the cam bolt into the hole first, then insert the cam lock and lock it.

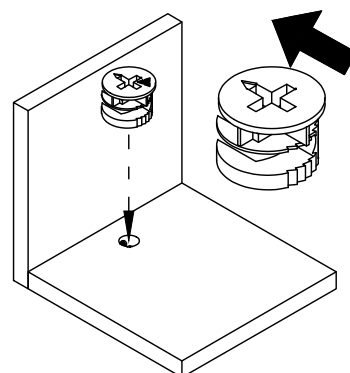
1



2

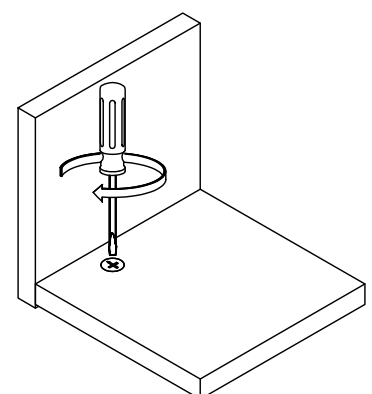


3



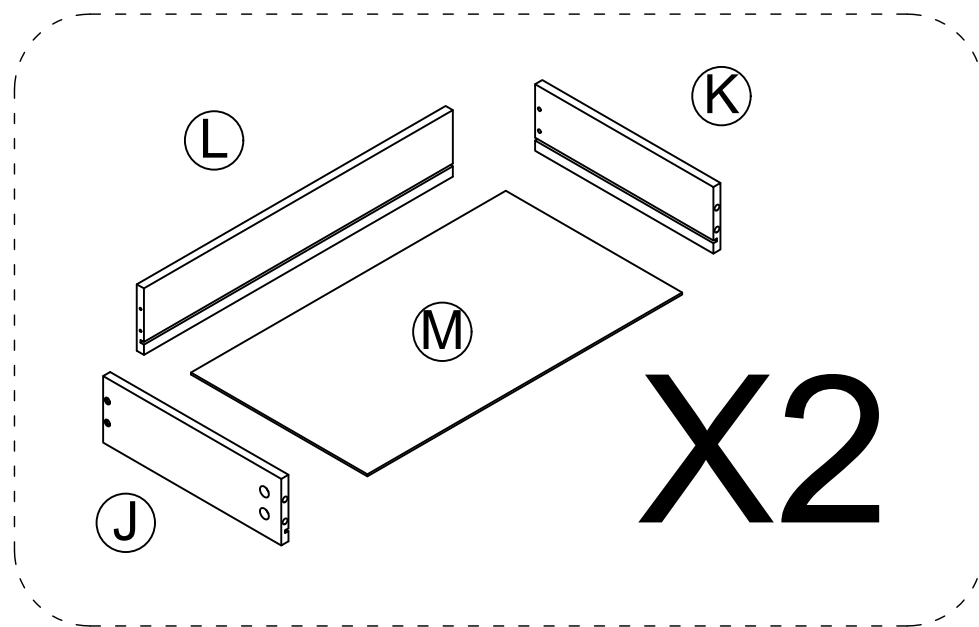
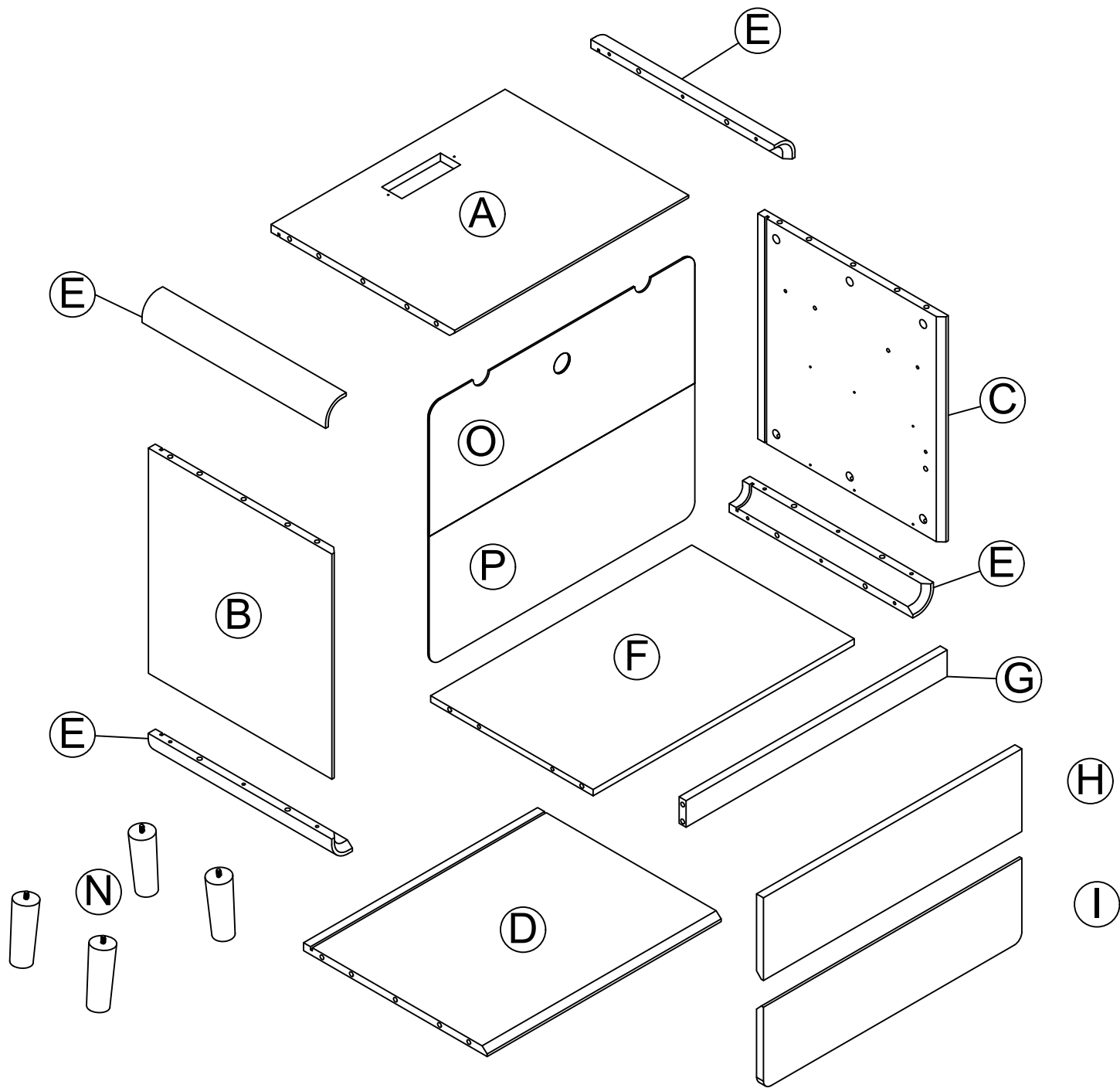
The opening must point toward the edge of the board

4

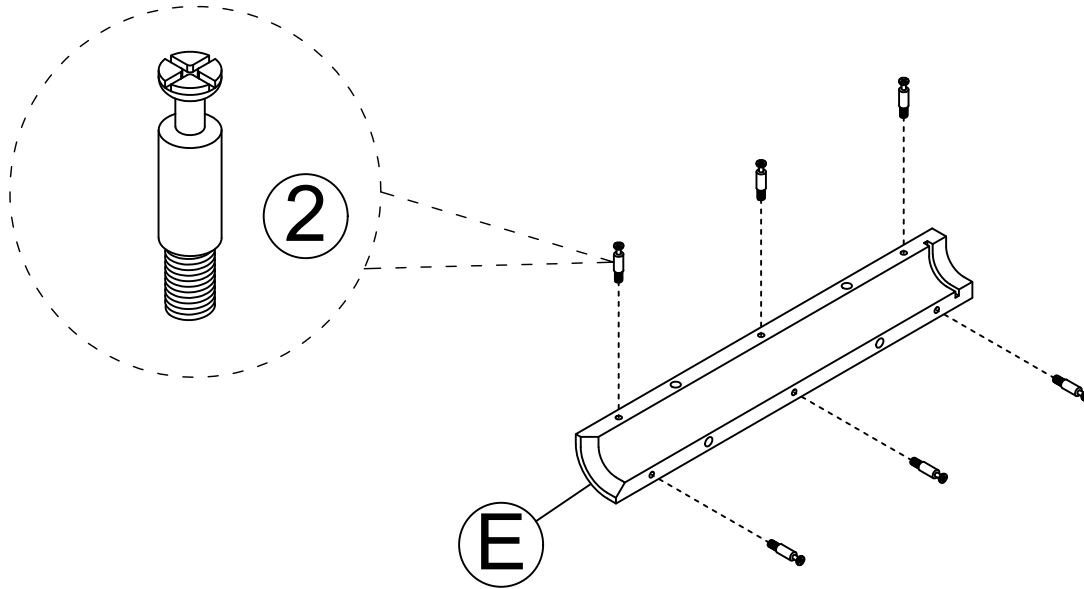
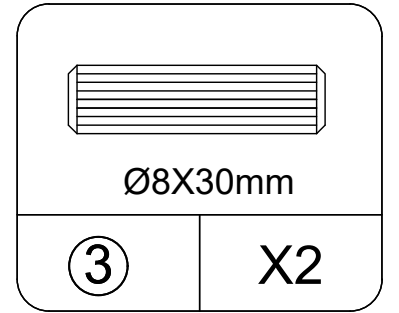
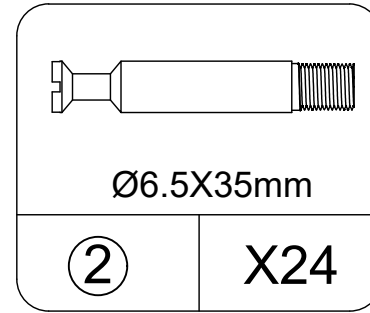
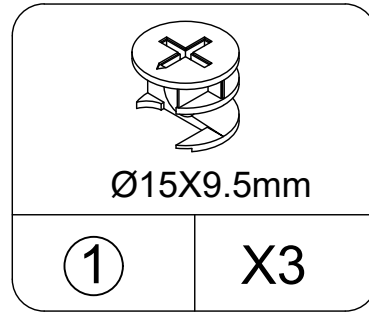
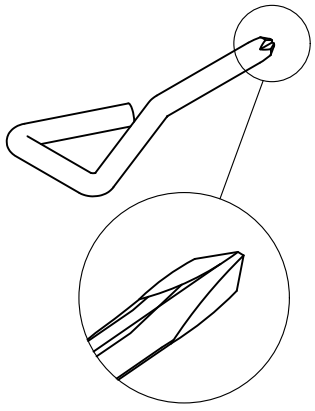


Board Identification

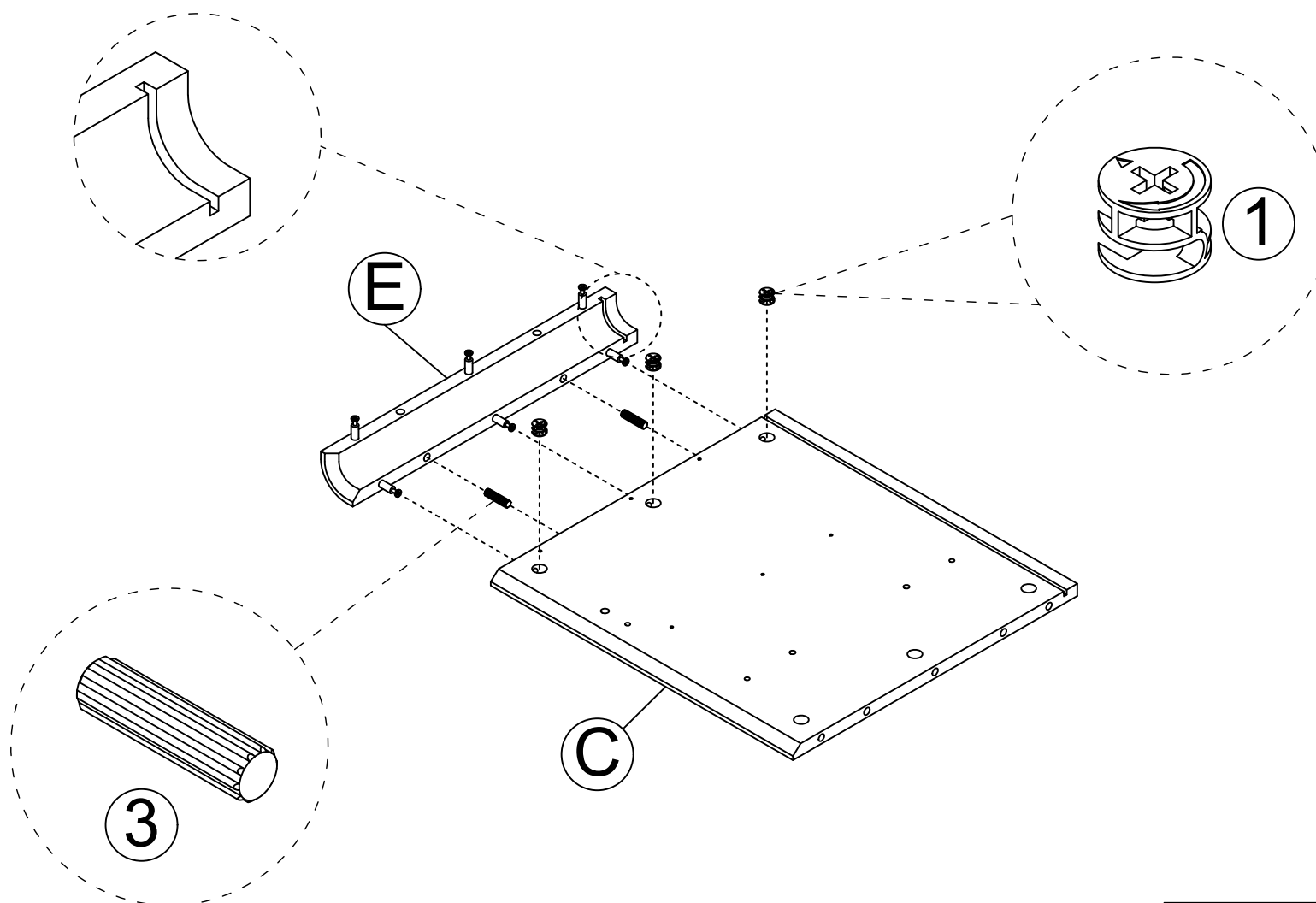
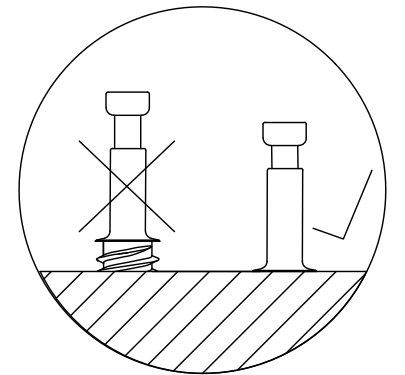
Not actual size



STEP 1

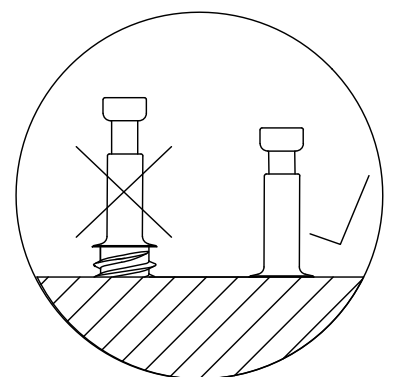
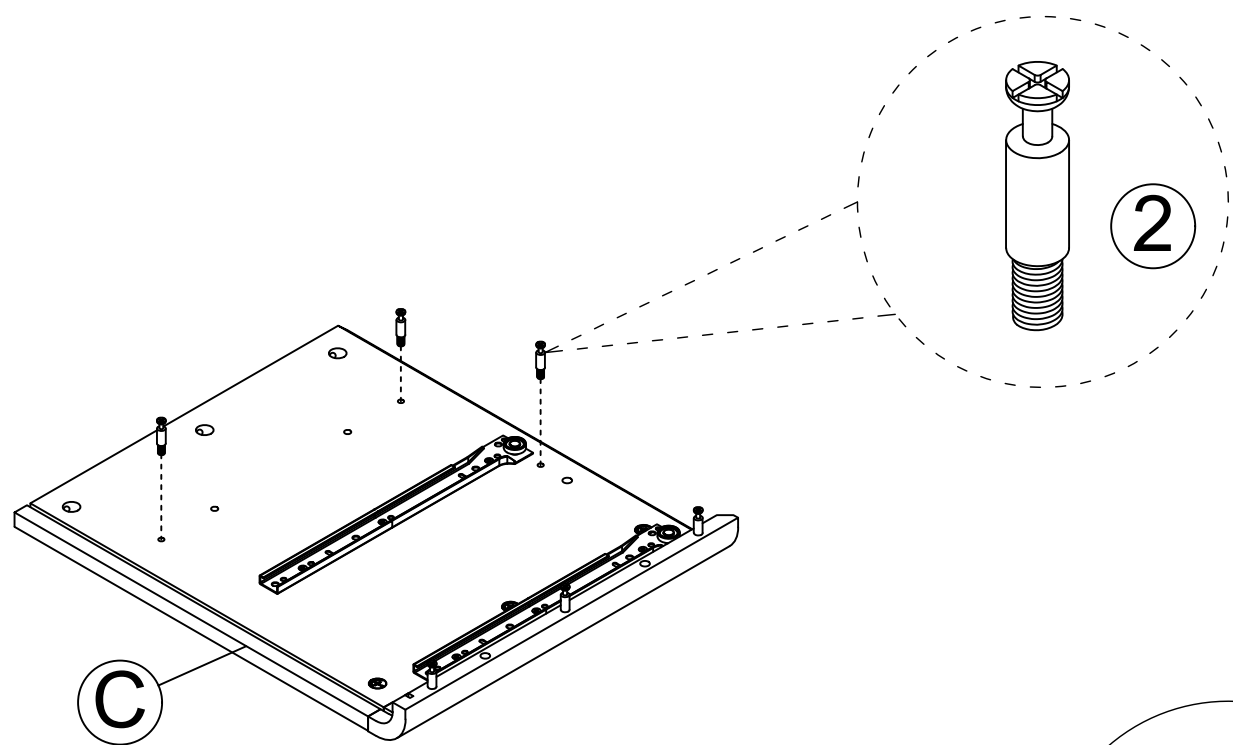
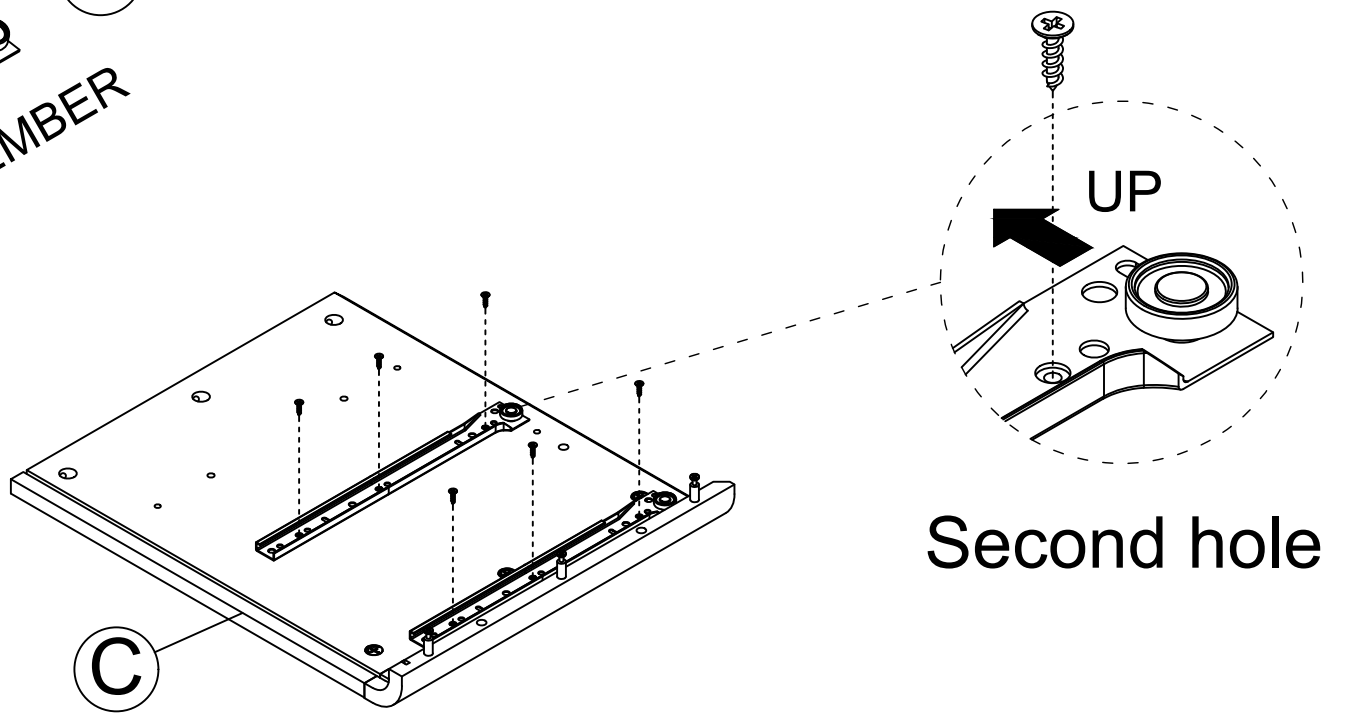
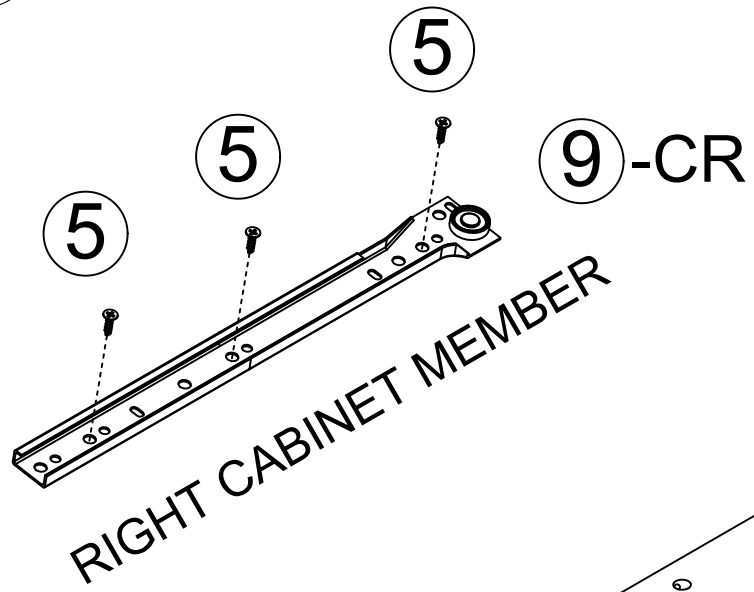
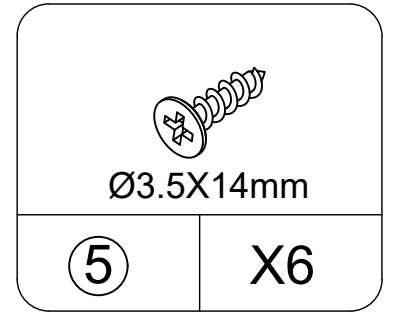
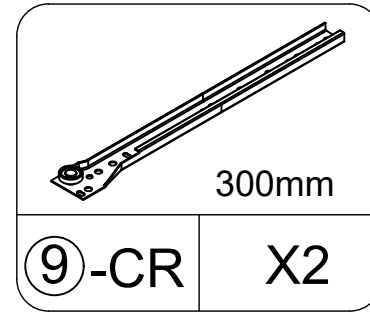
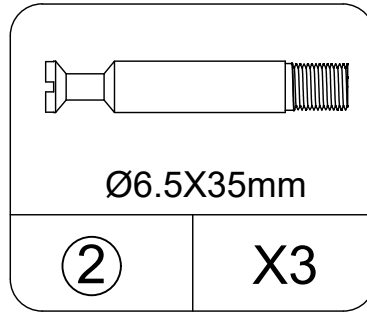
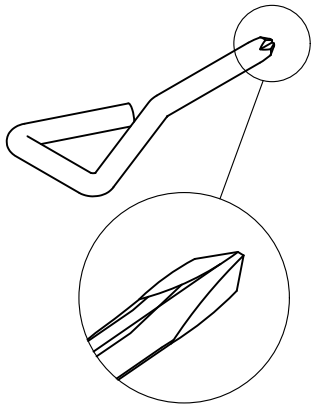


X4

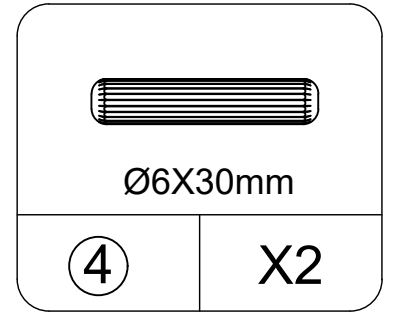
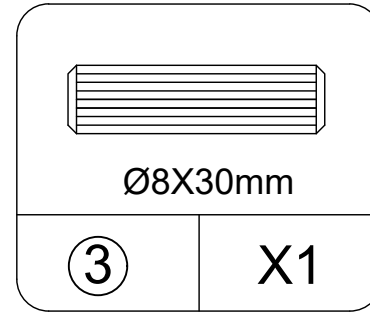
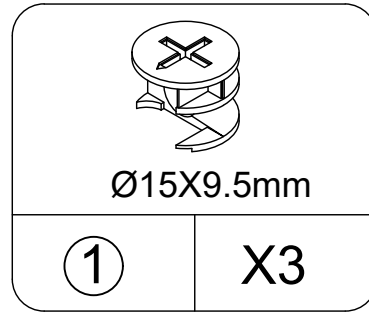
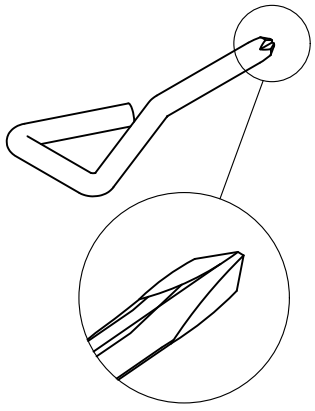


Insert the cam bolt into the hole first, then insert the cam lock and lock it.

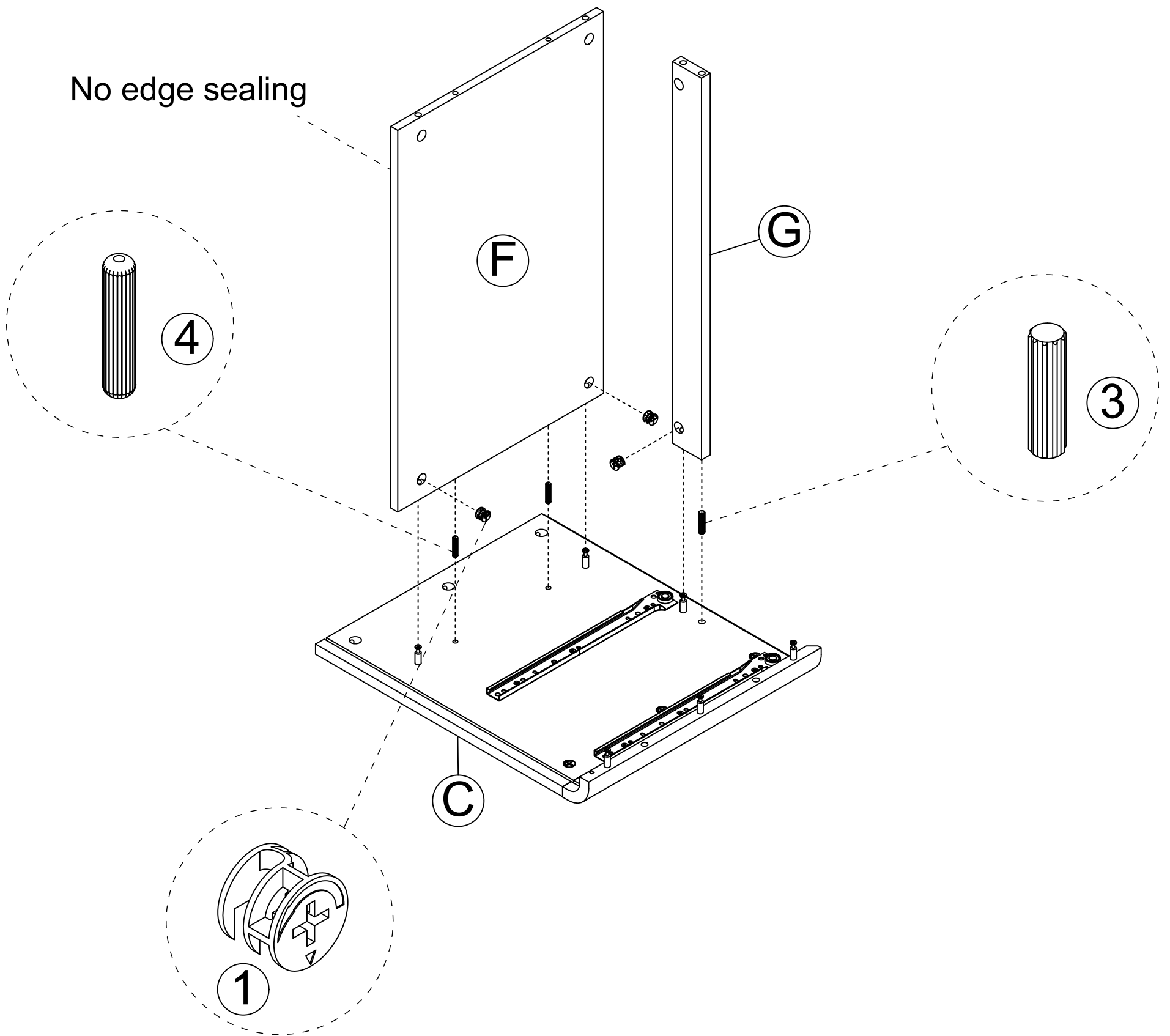
STEP 2



STEP 3

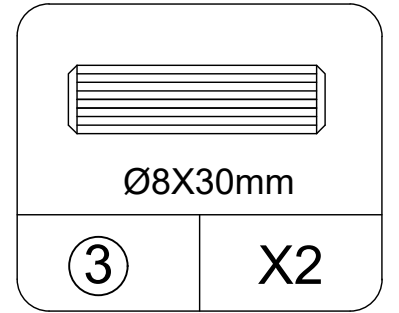
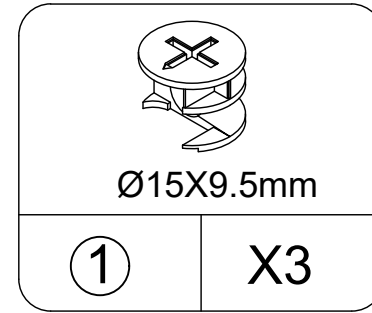
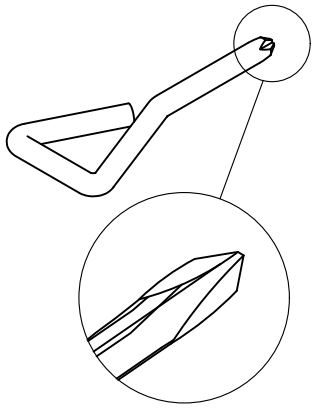


No edge sealing

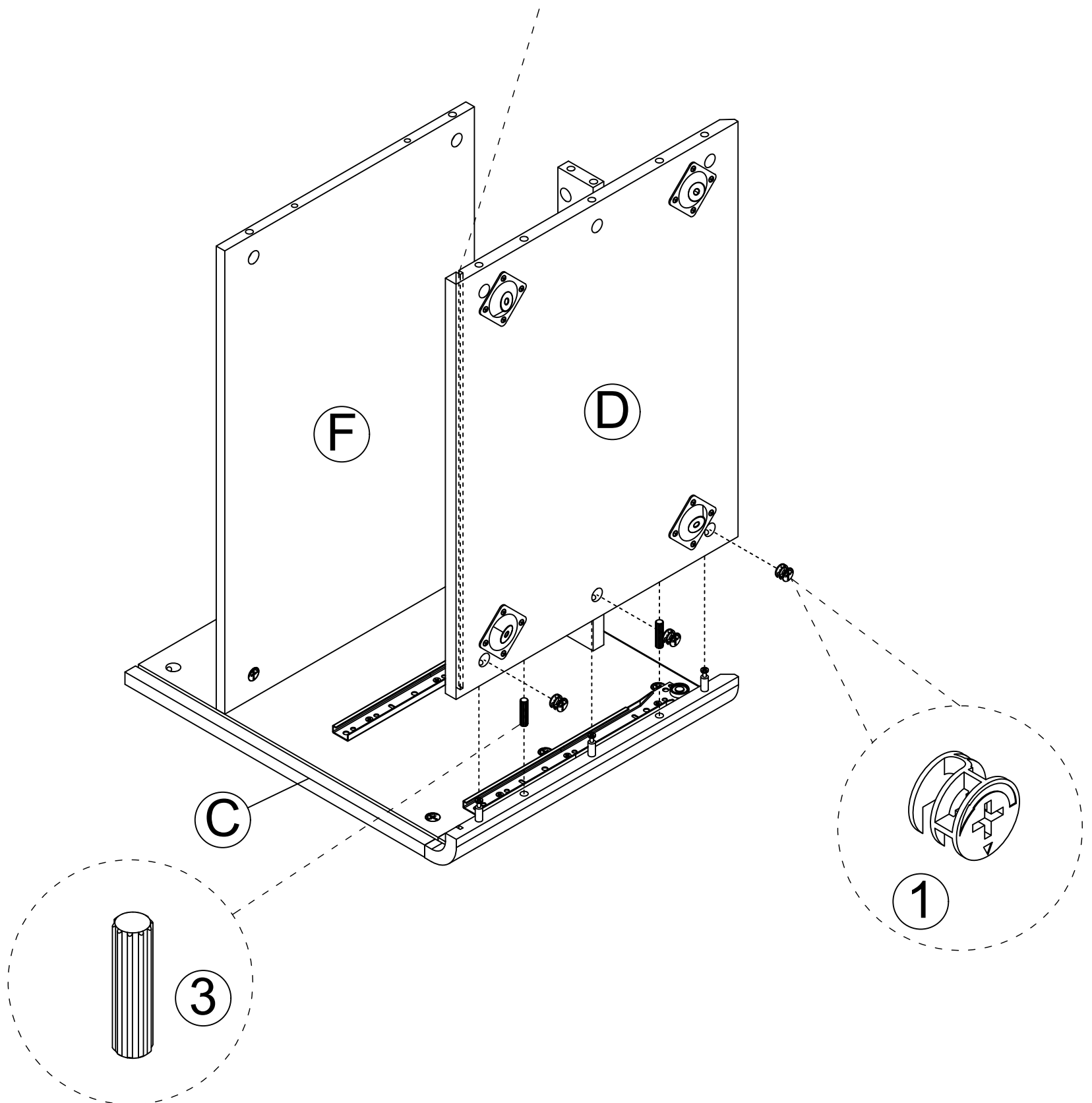


Insert the cam bolt into the hole first, then insert the cam lock and lock it.

STEP4

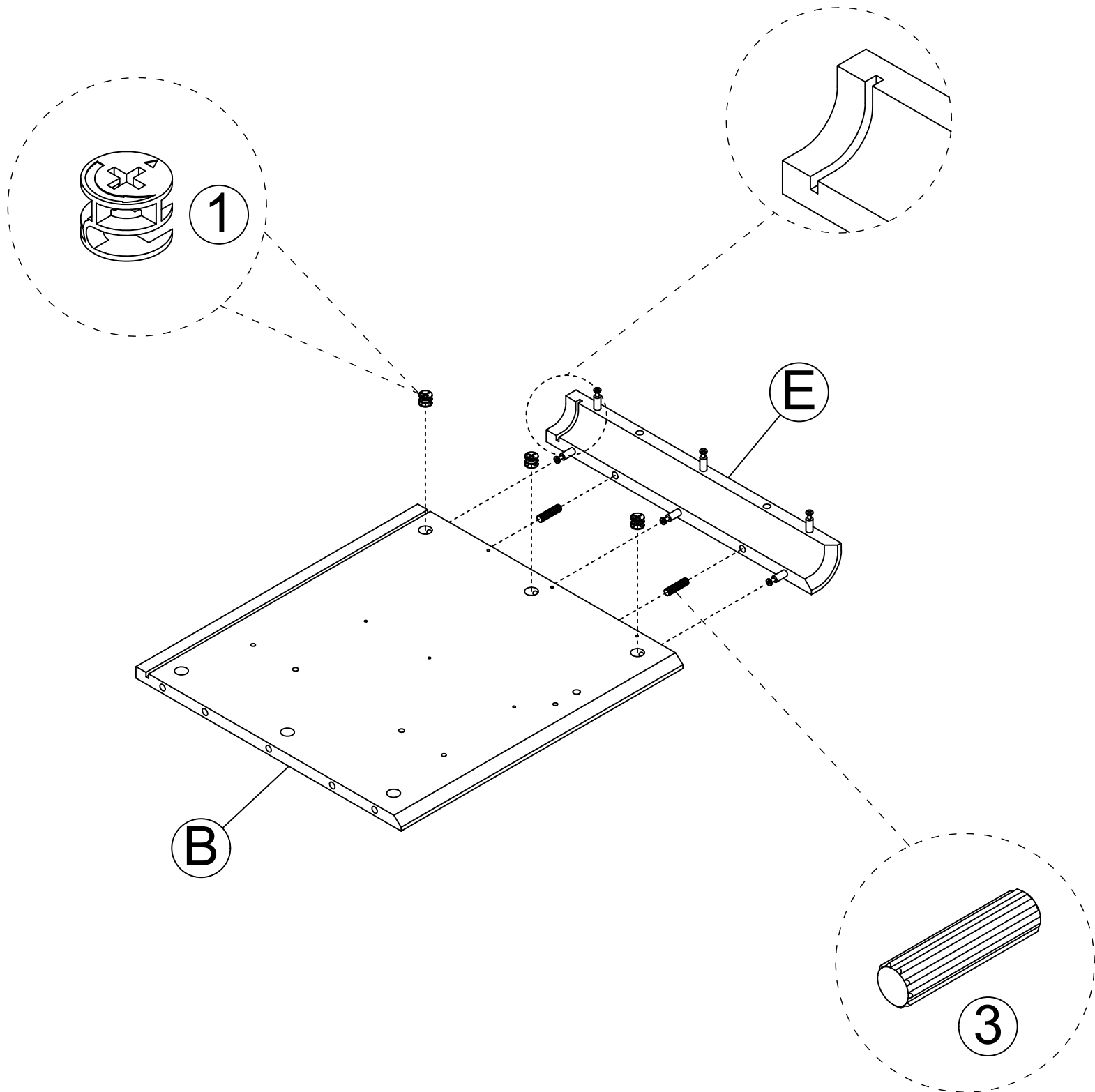
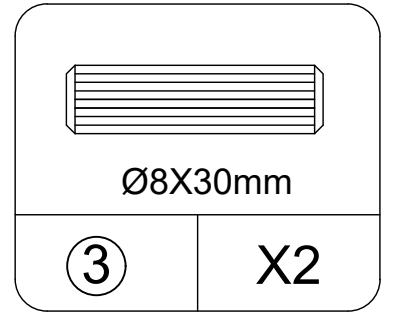
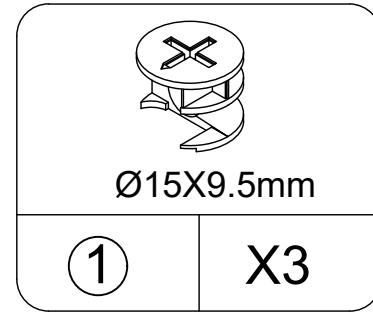
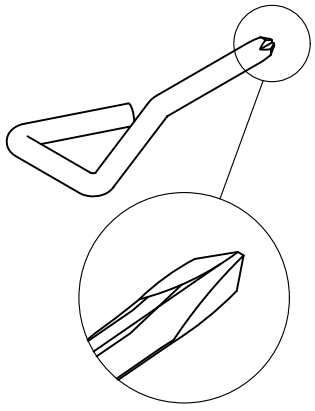


The slot is on the back side here.



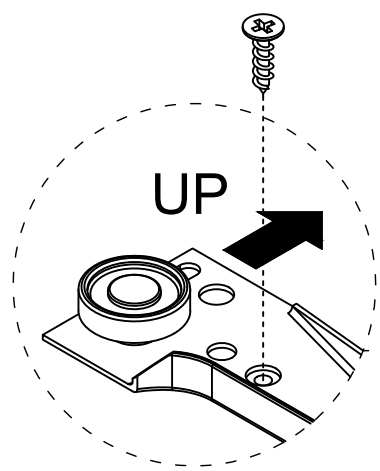
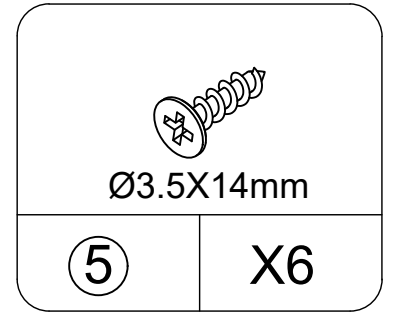
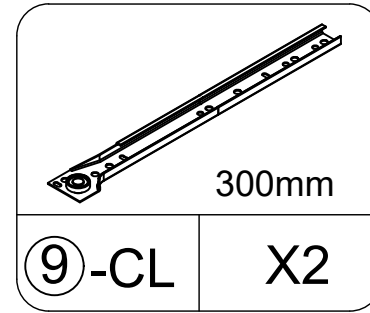
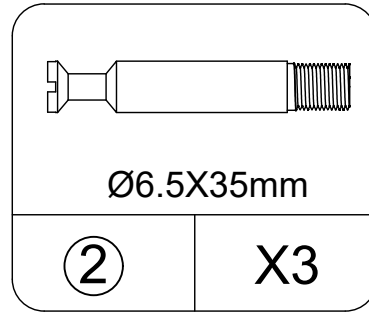
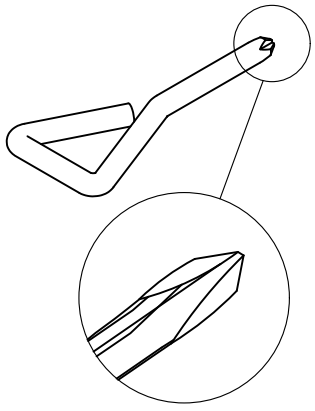
Insert the cam bolt into the hole first, then insert the cam lock and lock it.

STEP5

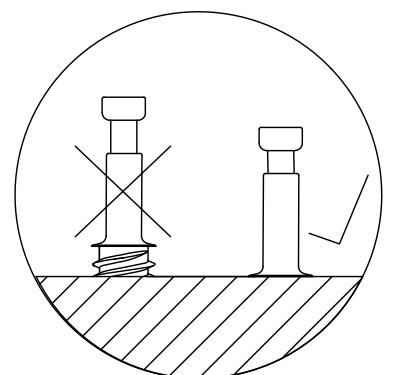
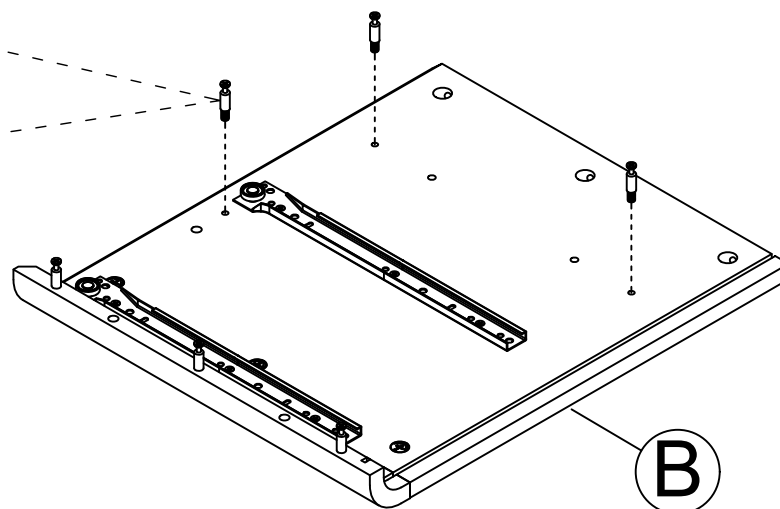
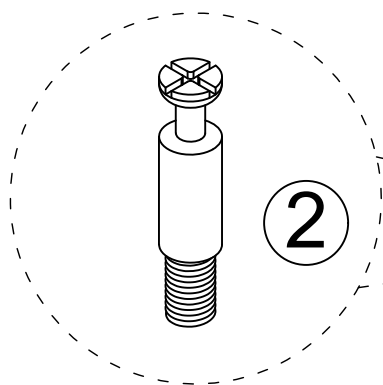
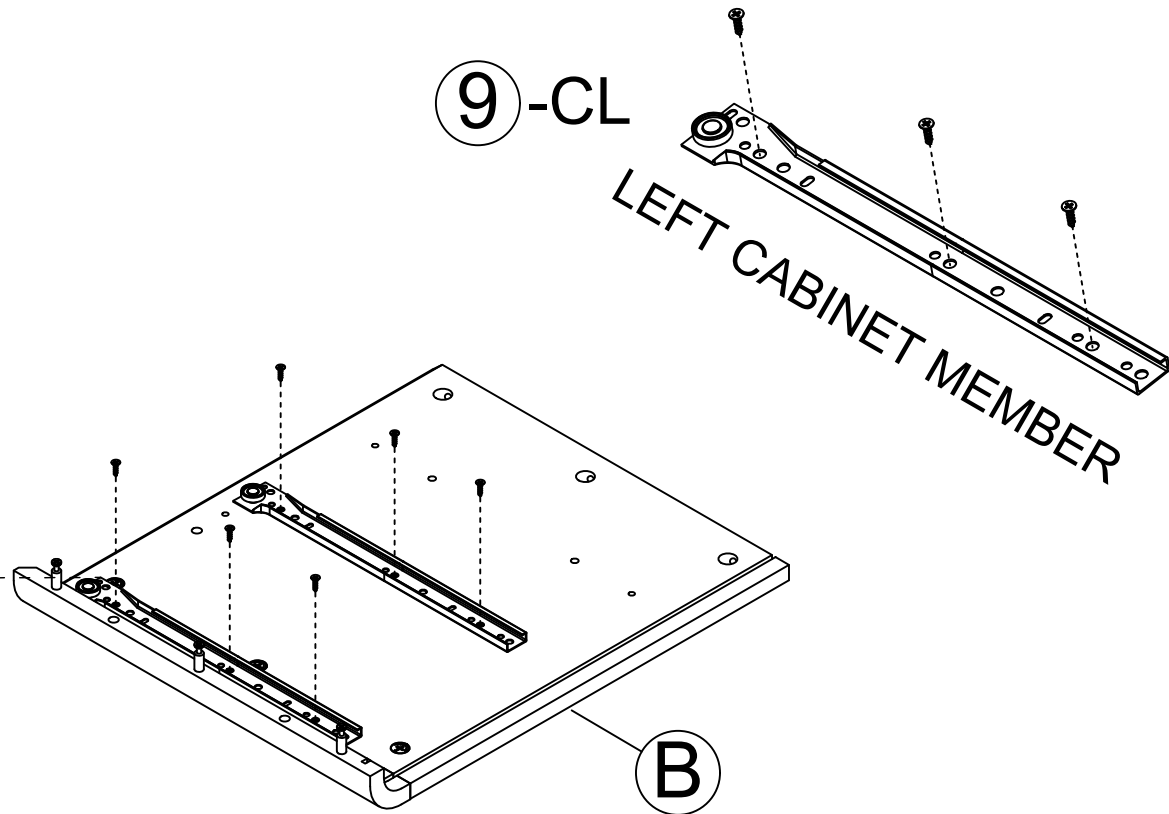


Insert the cam bolt into the hole first, then insert the cam lock and lock it.

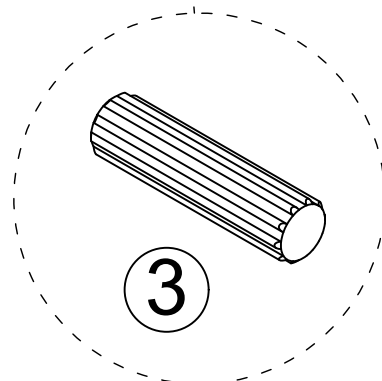
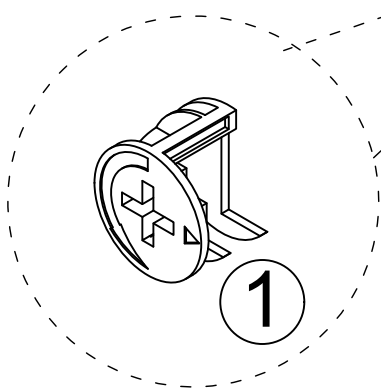
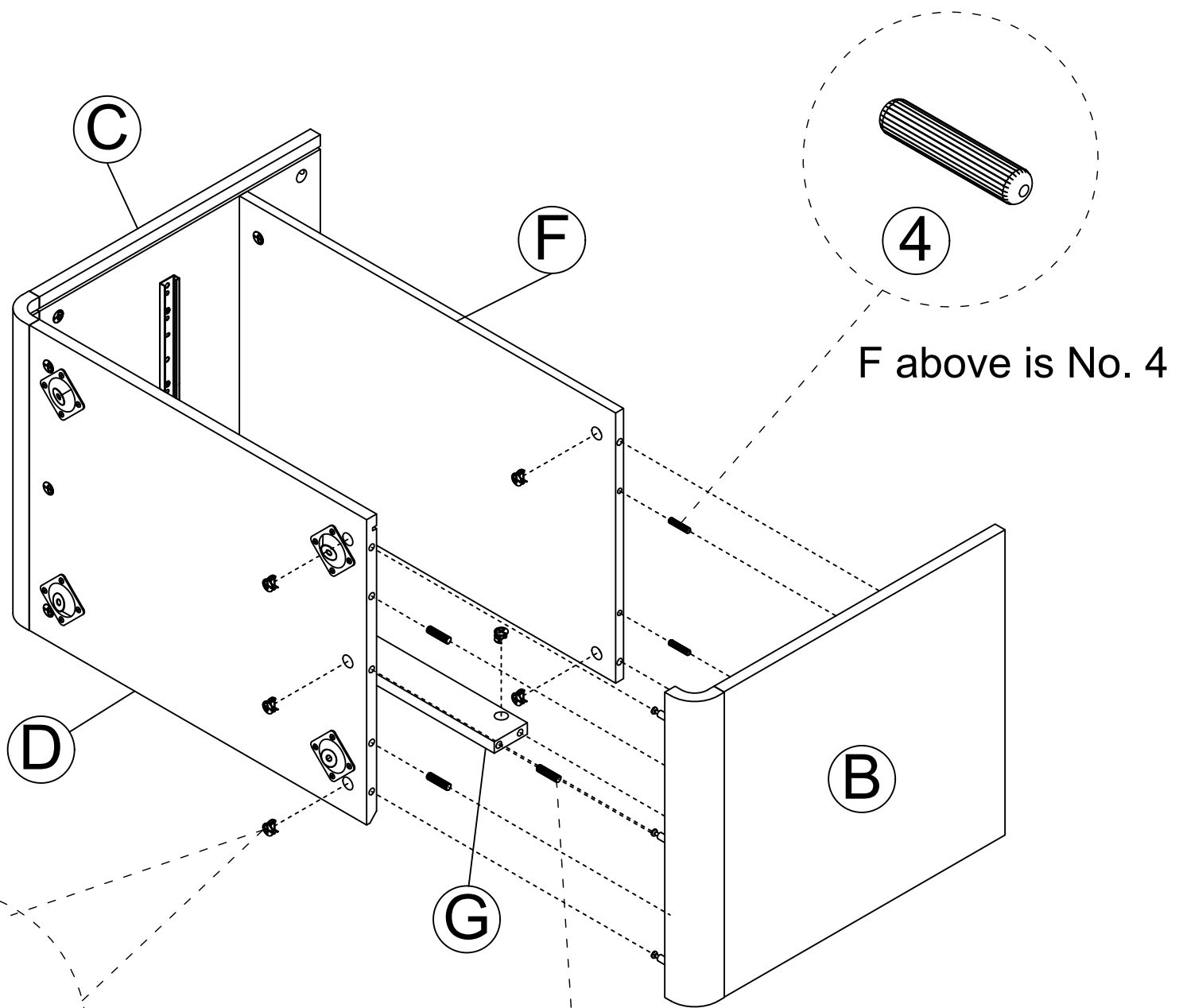
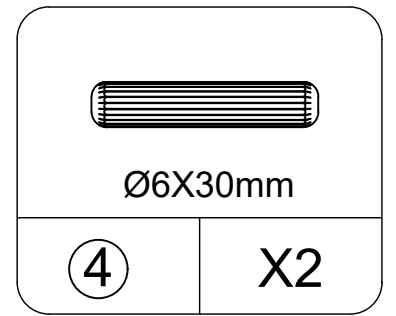
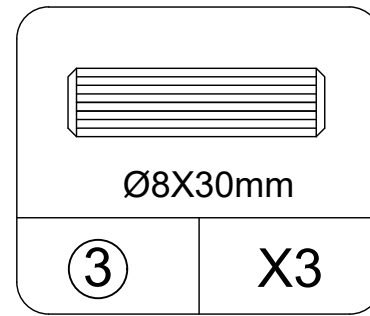
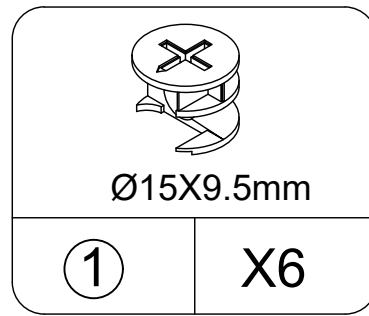
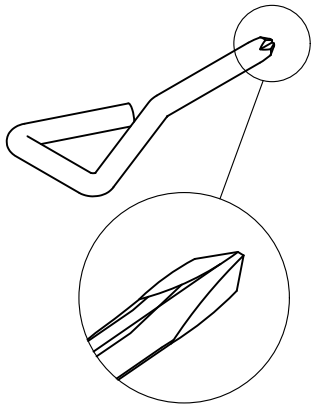
STEP 6



Second hole



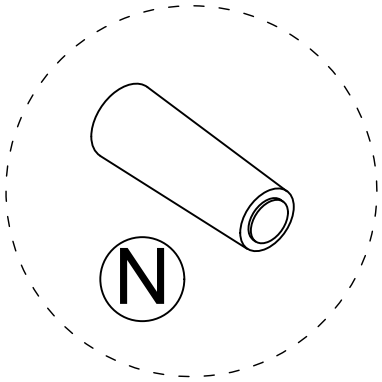
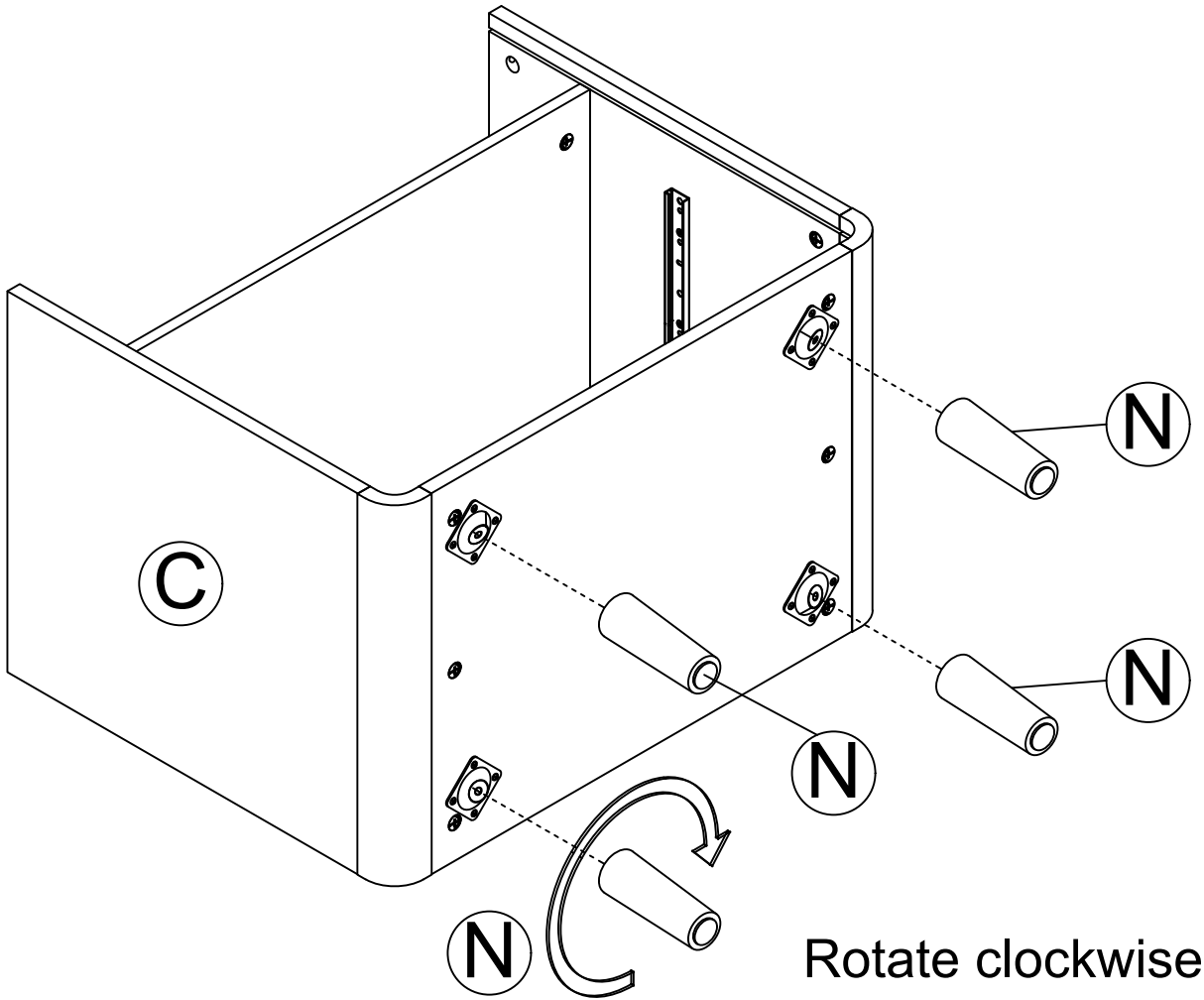
STEP 7



D plate; G plate
above is No. 3

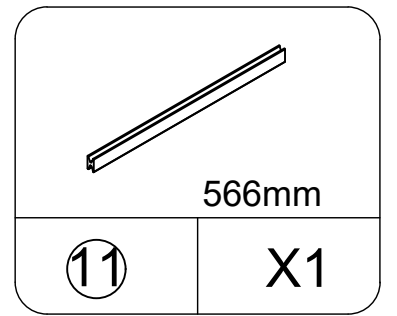
Insert the cam bolt into
the hole first, then insert
the cam lock and lock it.

STEP 8

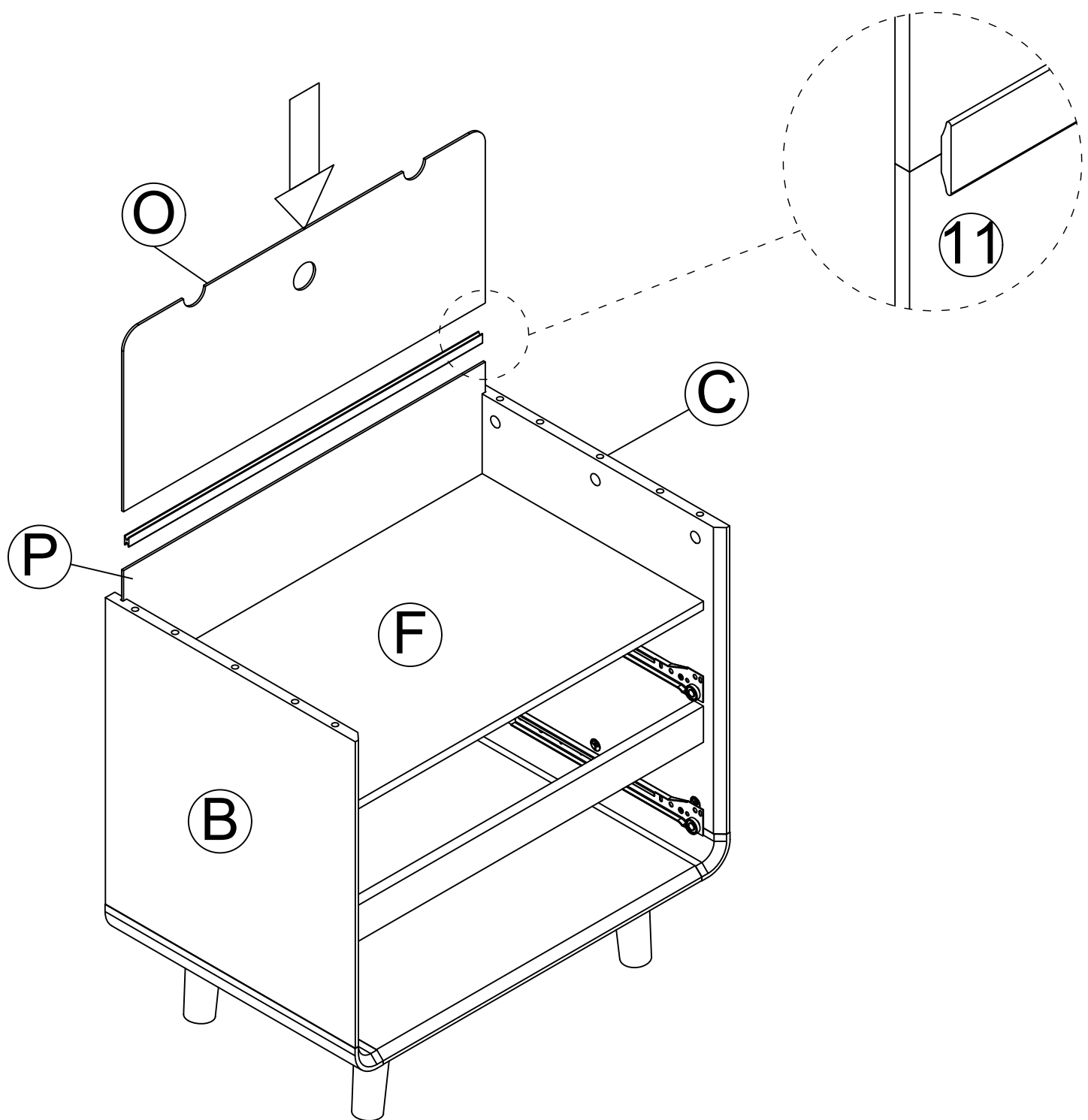


Align the screws on the N foot with the holes on the D plate, and rotate to install.

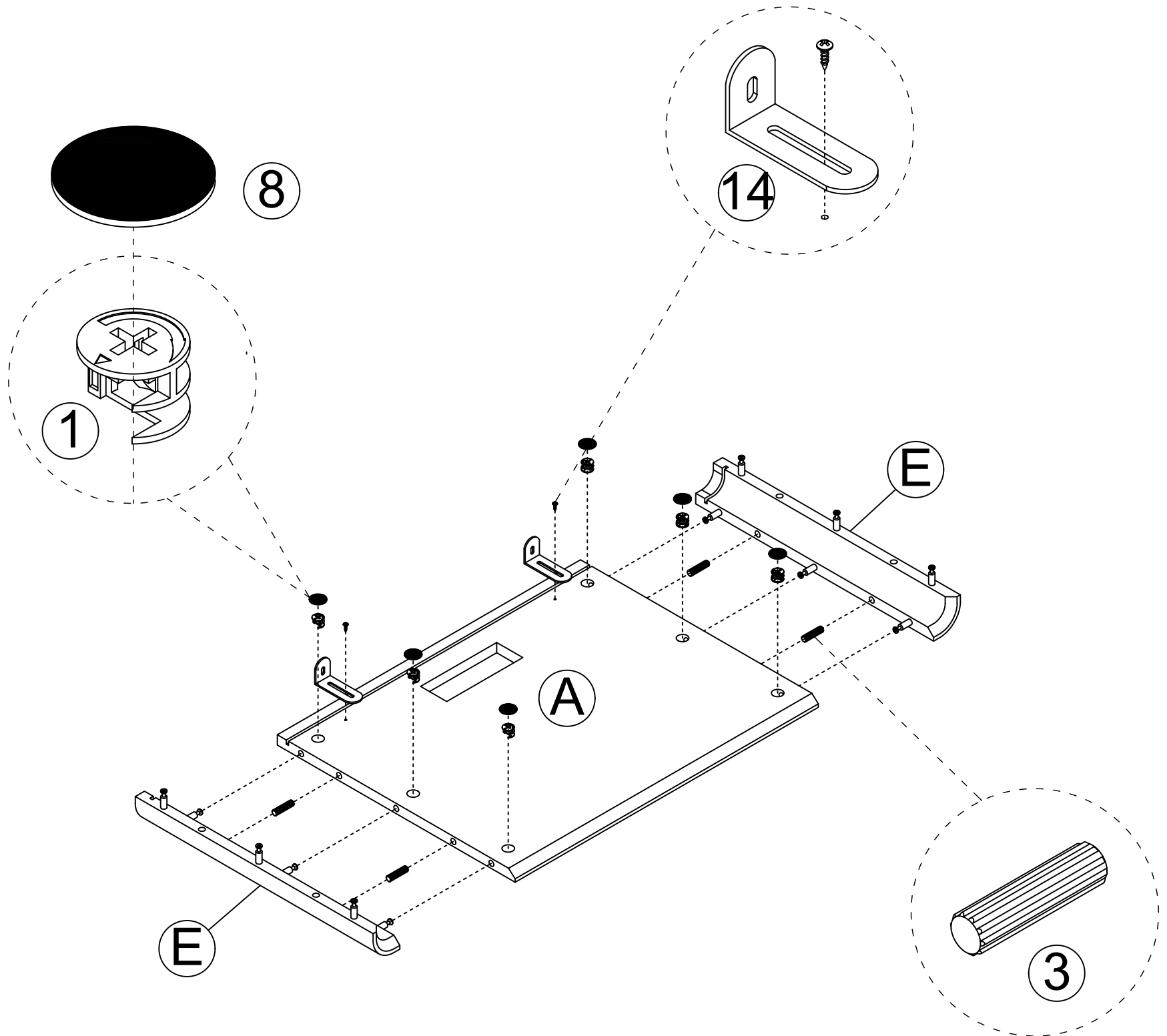
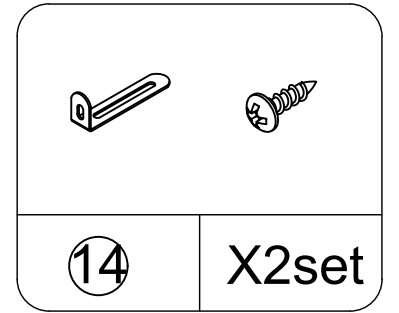
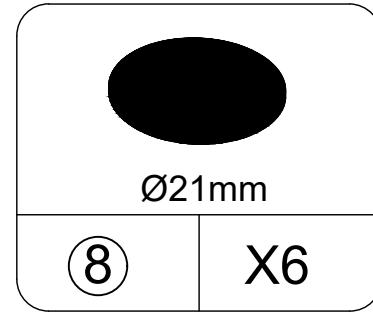
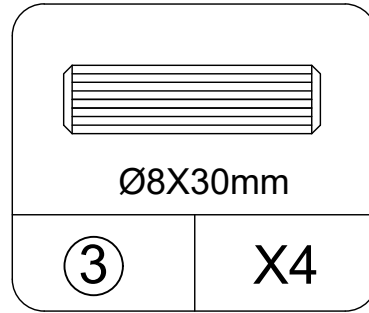
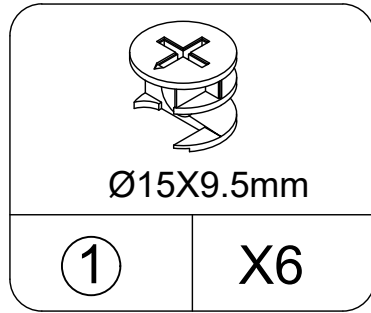
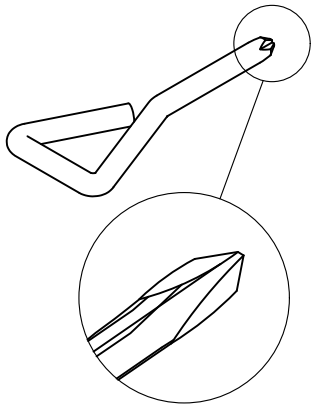
STEP9



The upper and lower back plates are connected with H-shaped clamping strips.

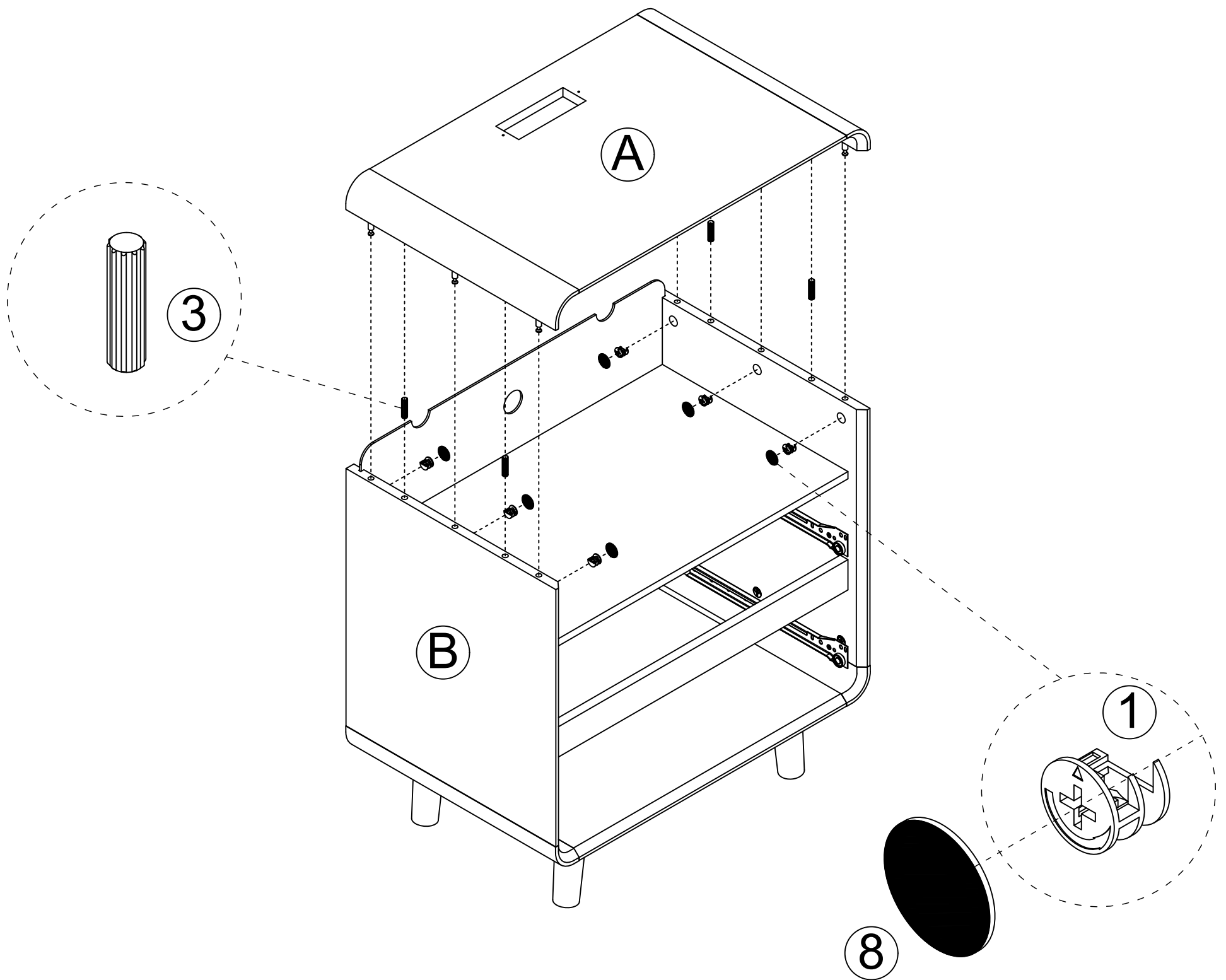
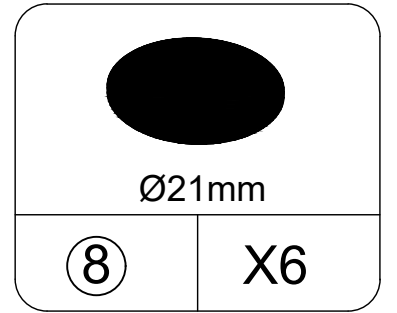
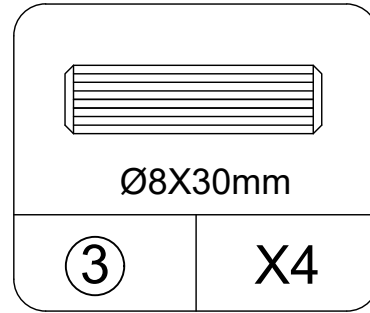
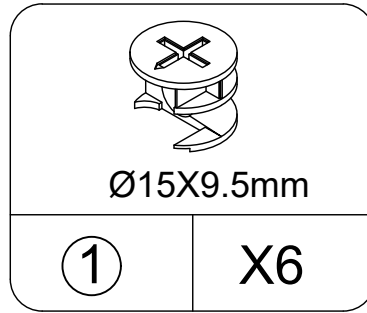
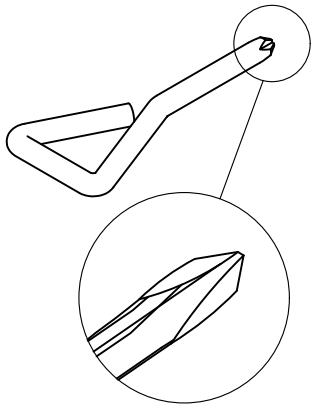


STEP10



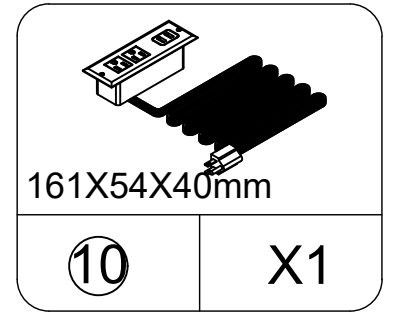
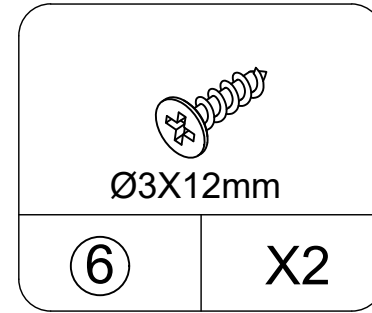
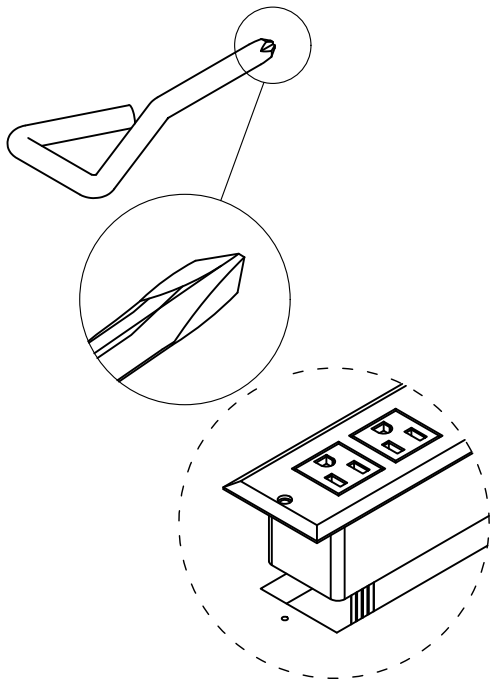
Insert the cam bolt into the hole first, then insert the cam lock and lock it.

STEP 11



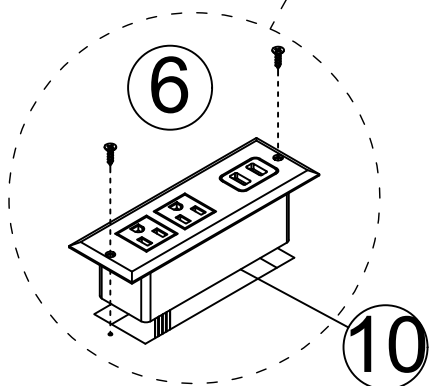
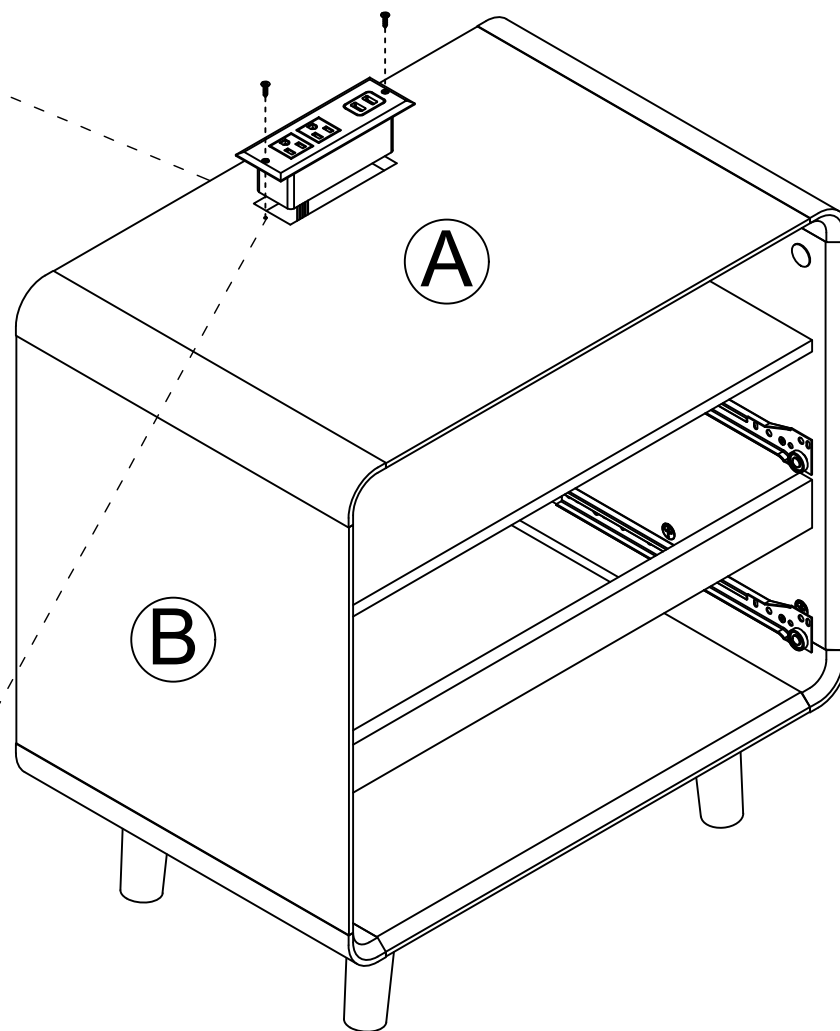
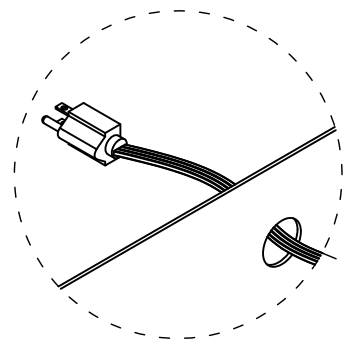
Insert the cam bolt into the hole first, then insert the cam lock and lock it.

STEP12



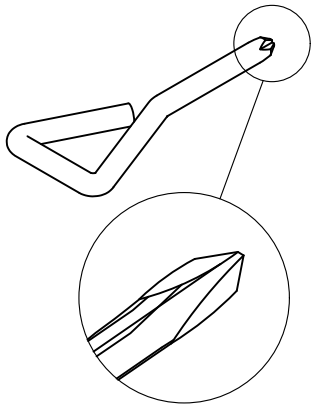
Step 1 Pass the USB socket wire through the panel slot

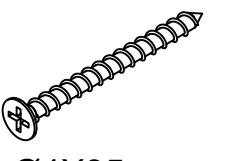
Step 2 The plug end is then passed through the back plate hole and pulled to the back of the cabinet.

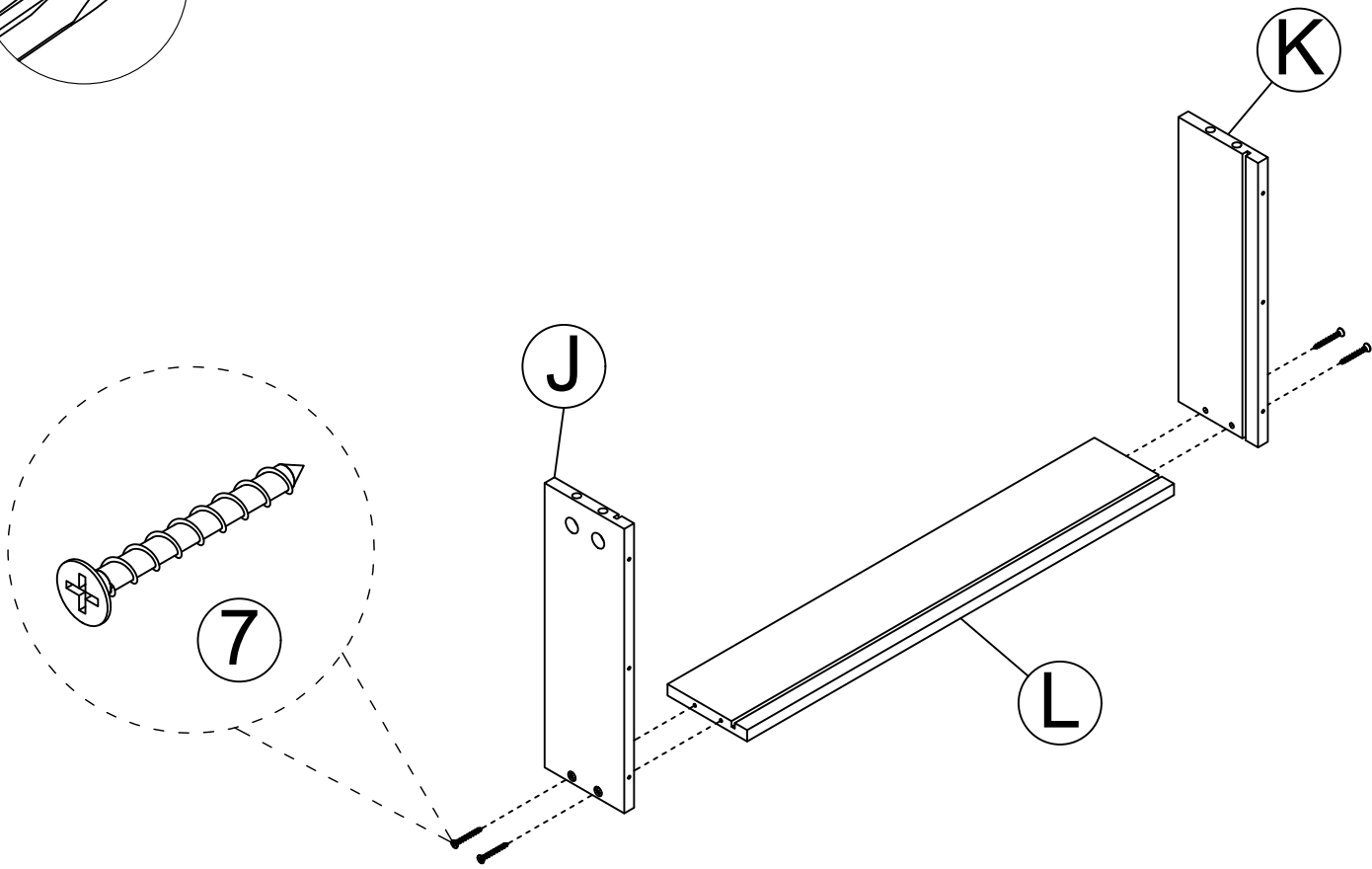


Step 3 Fix the USB socket to the panel

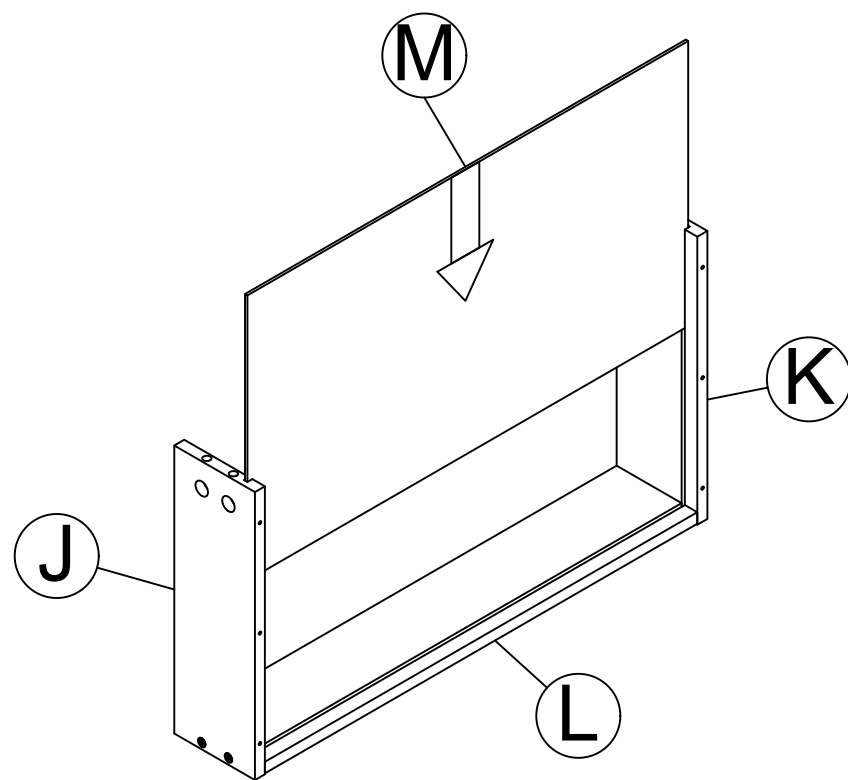
STEP13



 Ø4X35mm	
7	X8

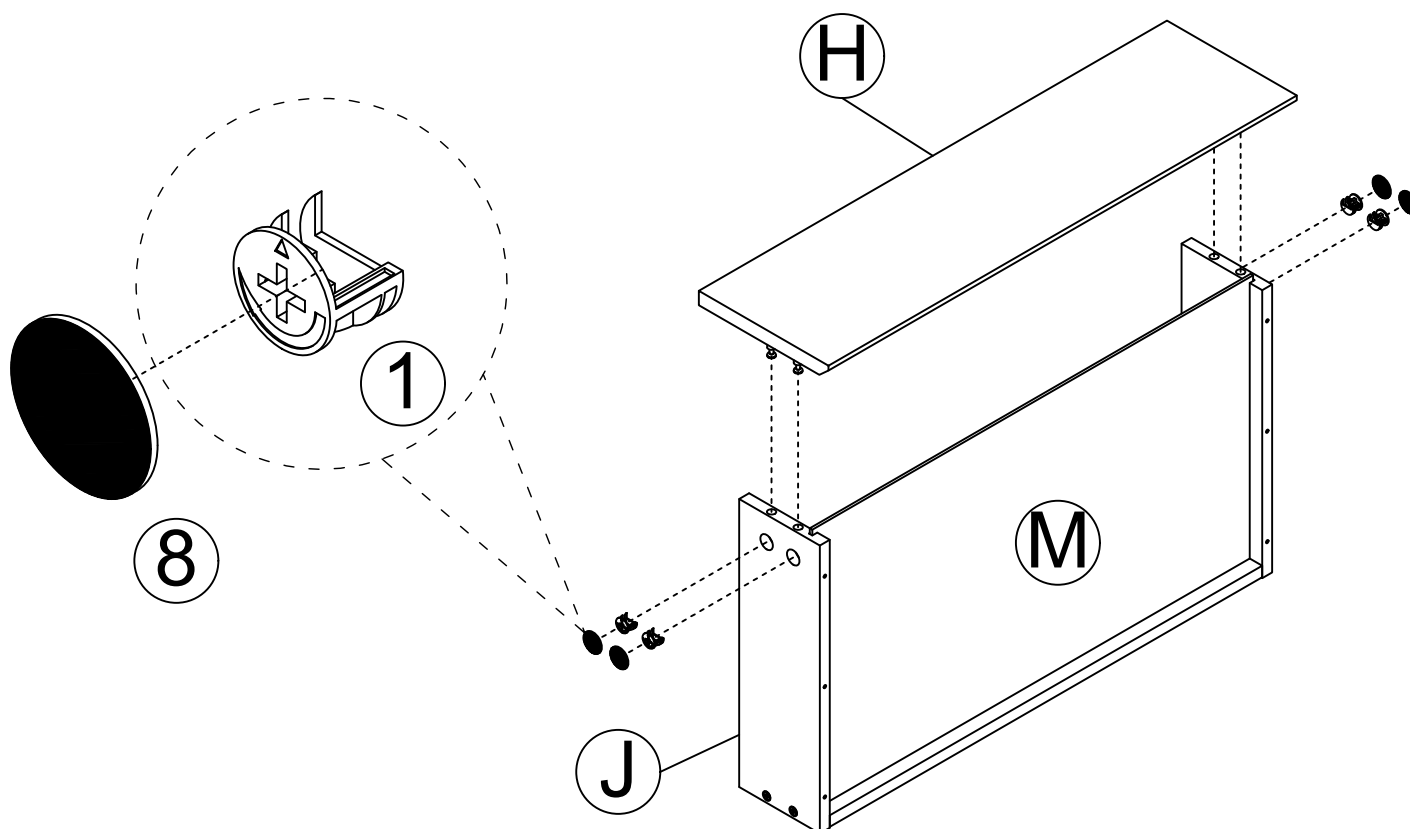
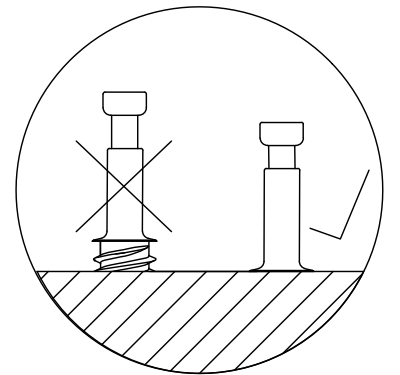
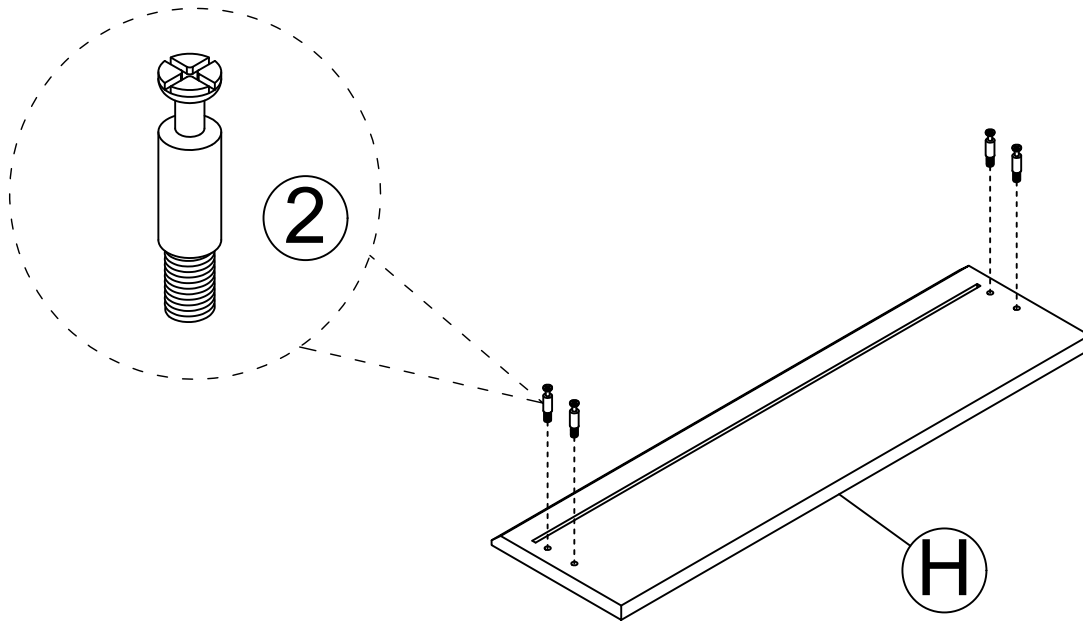
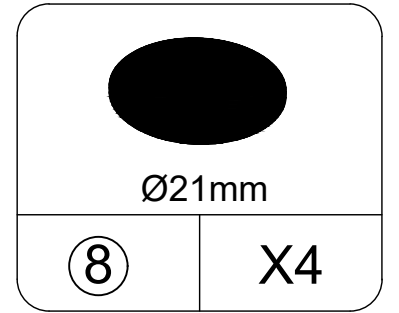
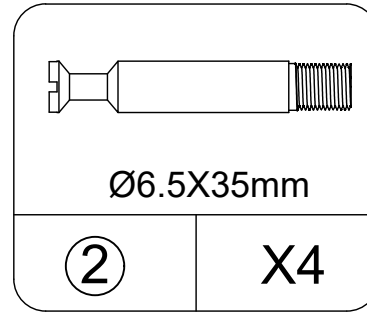
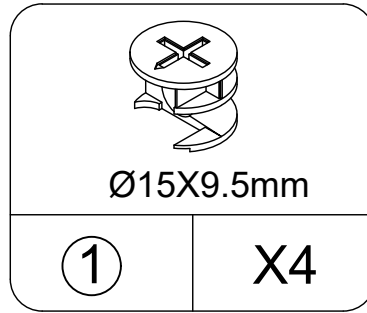
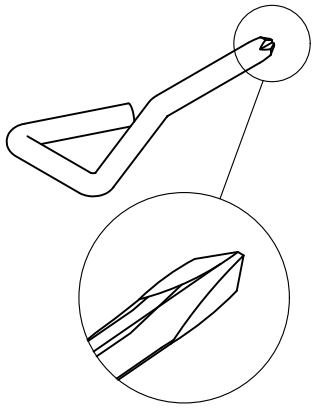


X2



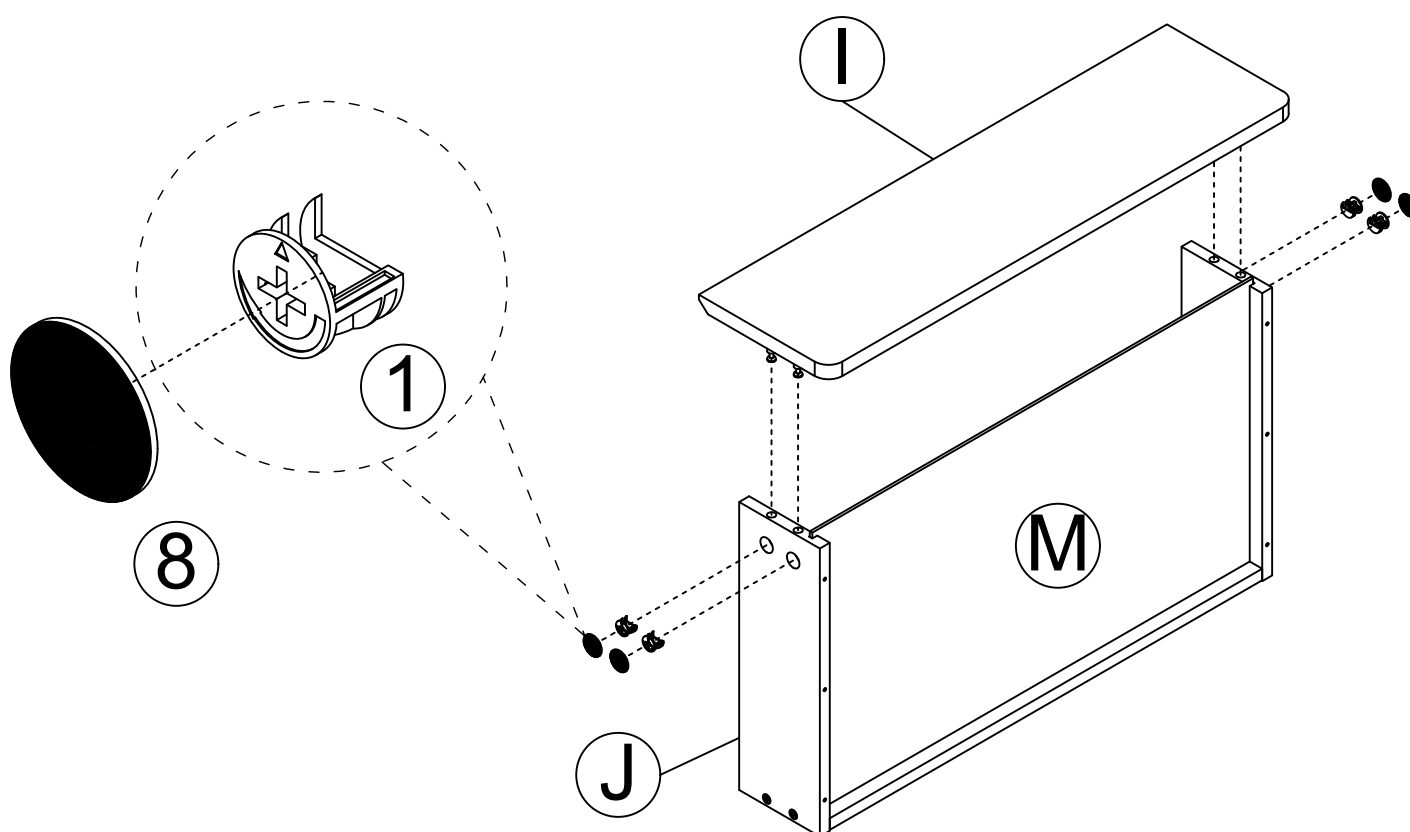
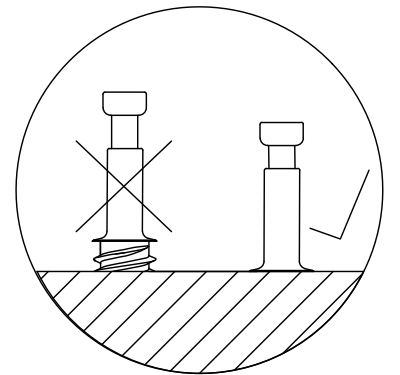
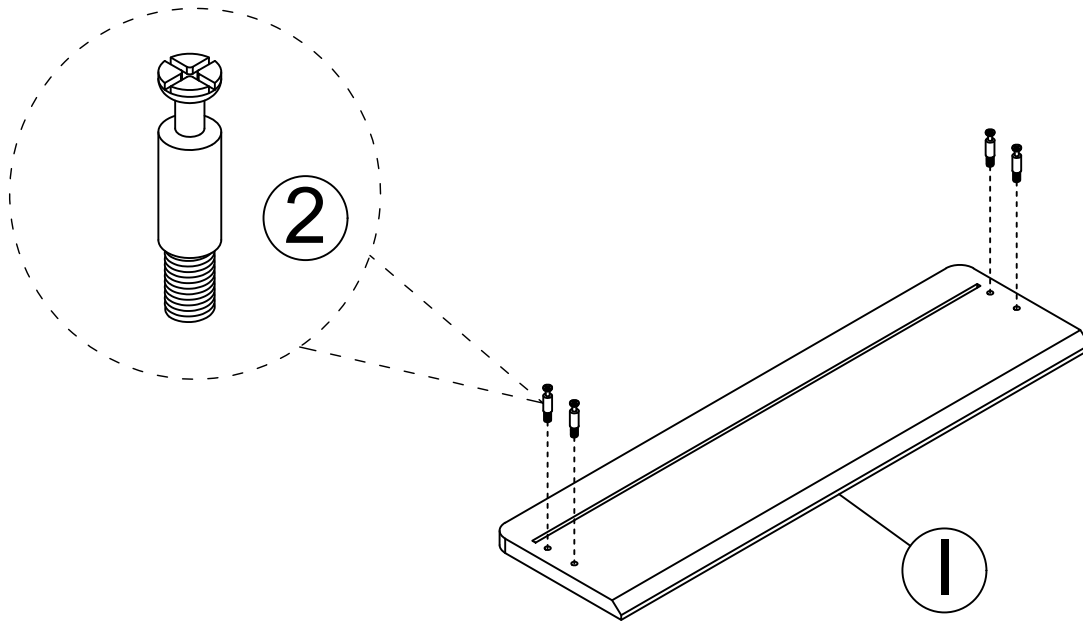
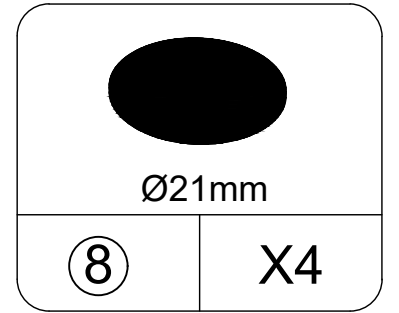
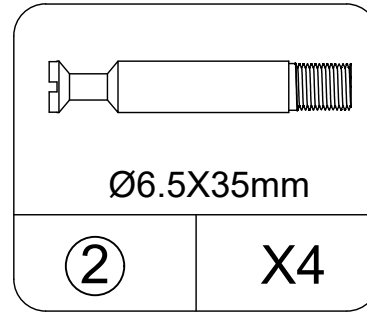
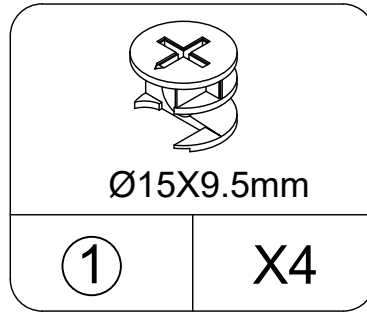
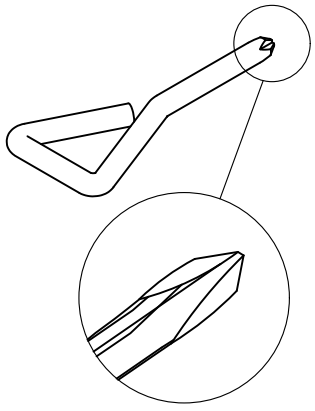
X2

STEP 14



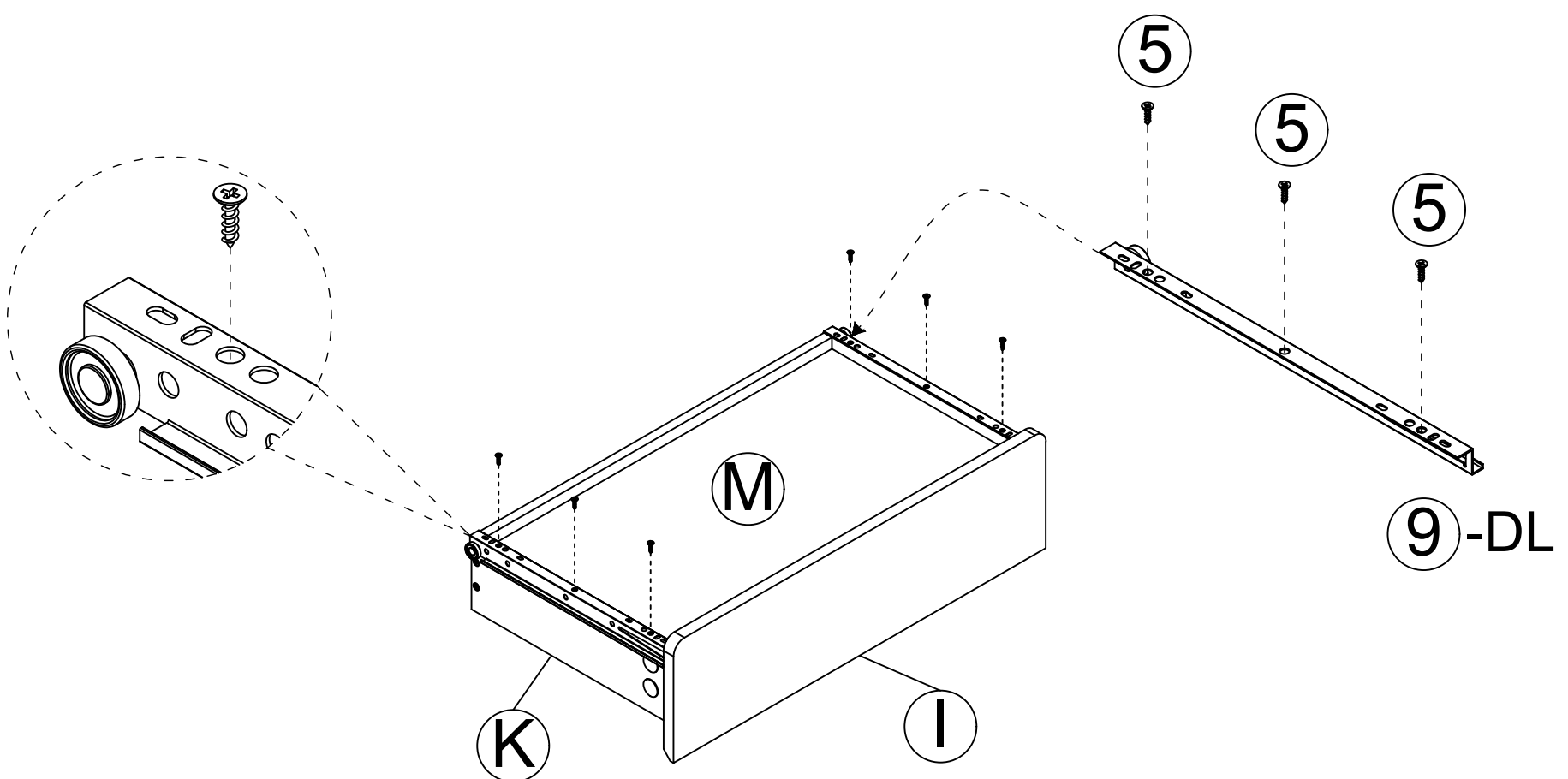
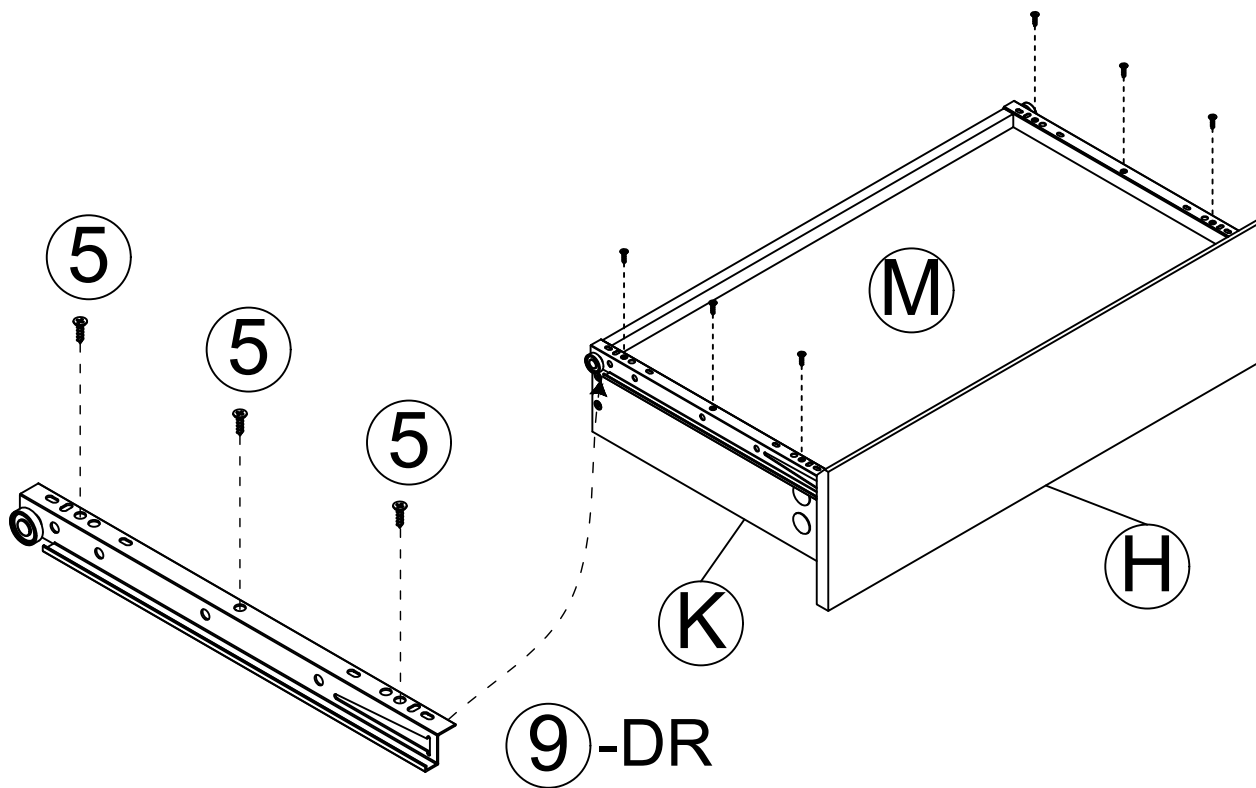
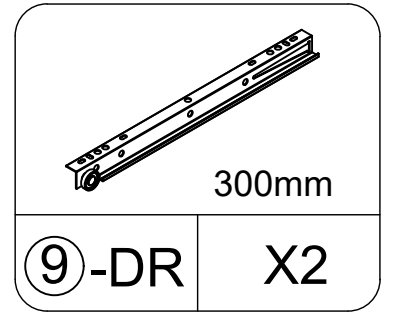
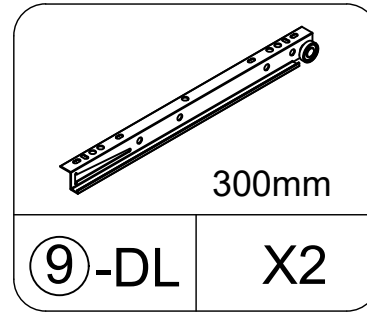
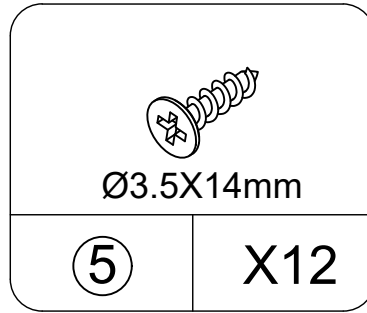
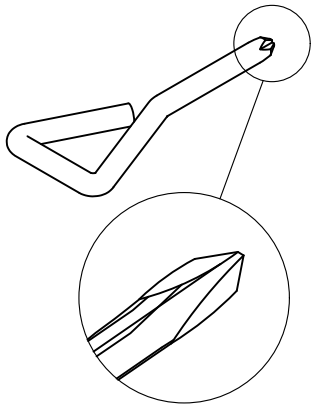
Insert the cam bolt into the hole first, then insert the cam lock and lock it.

STEP15

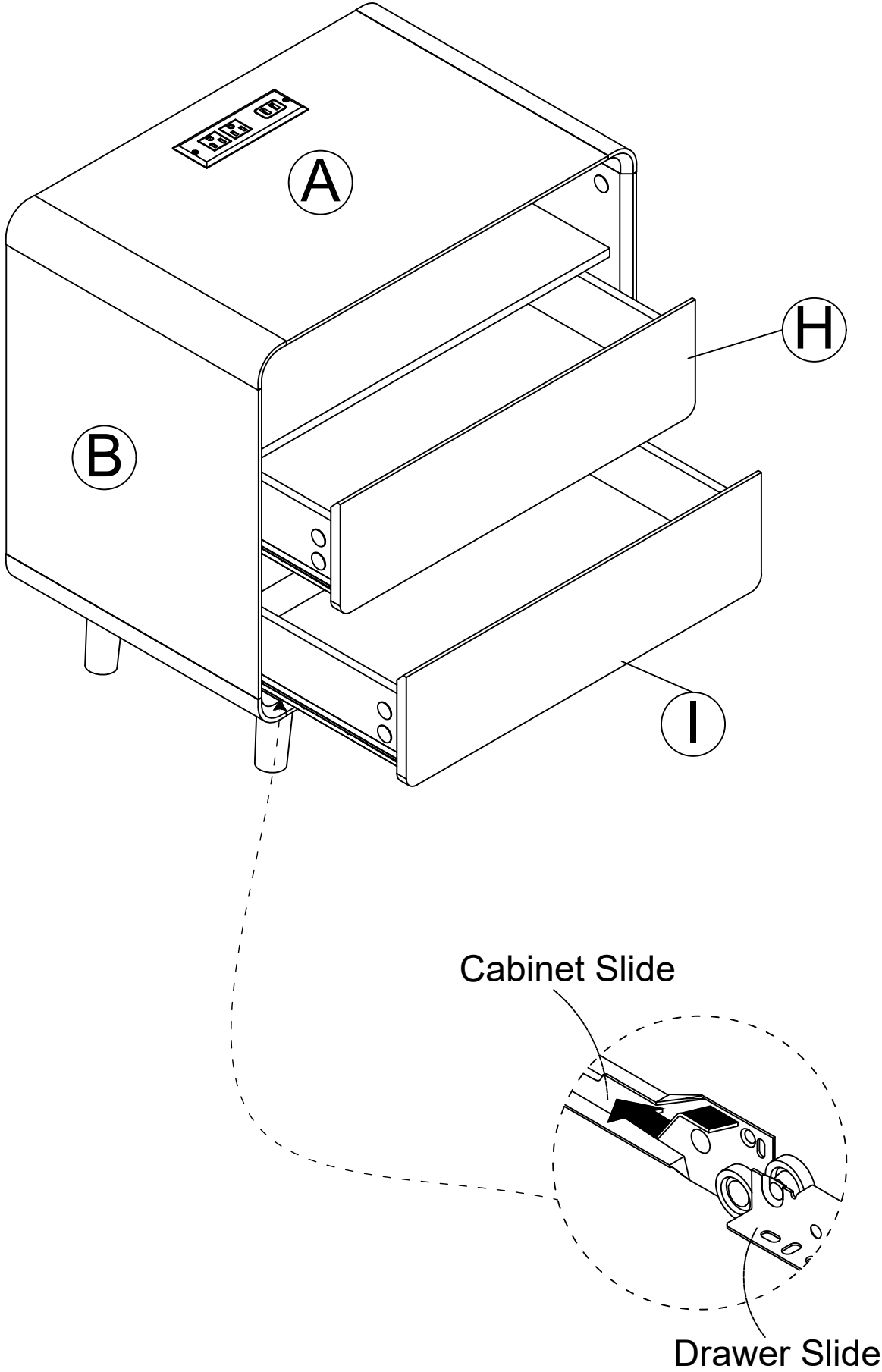


Insert the cam bolt into the hole first, then insert the cam lock and lock it.

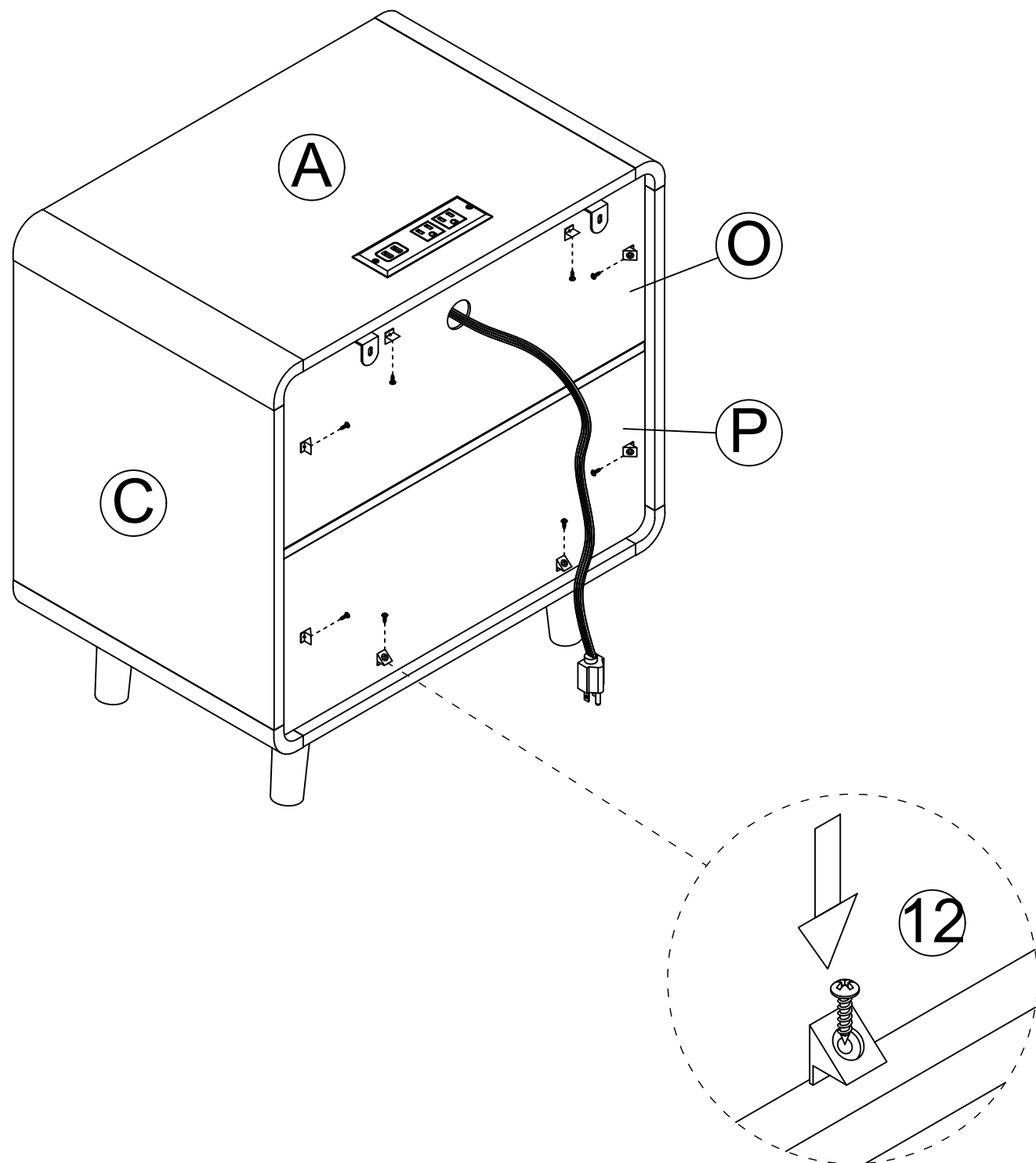
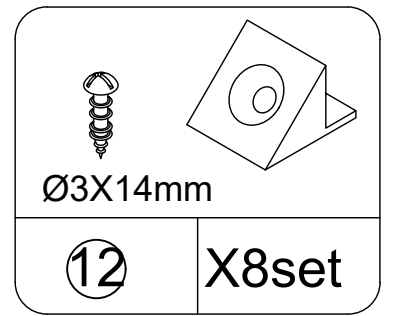
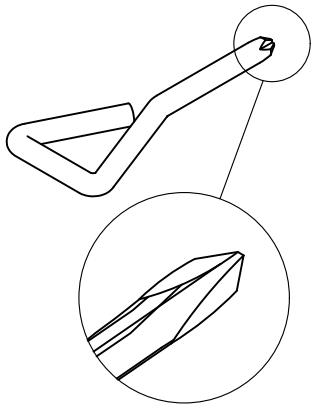
STEP16



STEP 17

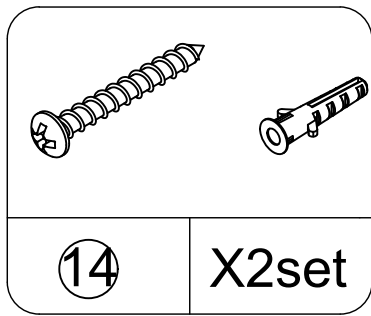
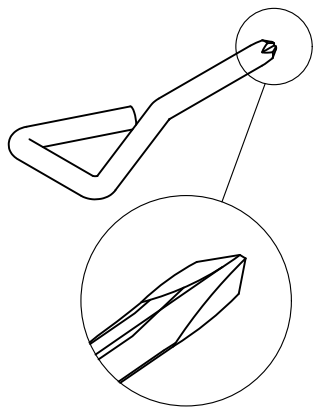


STEP18



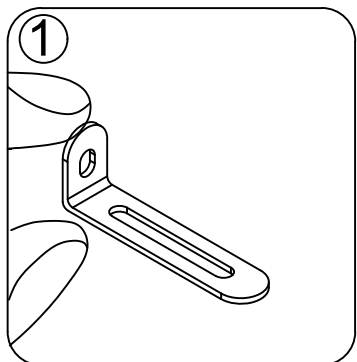
Insert the plastic buckle into the back plate slot, screw through the hole in the plastic buckle and lock it in place.

STEP19

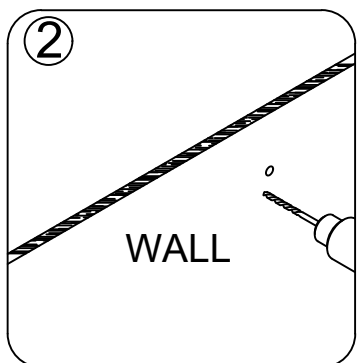


NOTE:The tipping restraint hardware included is for wooden stud wall construction. It must be attached to a wall stud. Depending upon your wall construction different anchor hardware maybe required. Please contact your local hardware store for assistance. Young children can be seriously injured by tipping furniture. You must install the tipping restraint hardware with the unit to prevent the unit from tipping, causing any accidents or damage. The tipping restraints are intended only as a deterrent and are not a substitute for proper adult supervision. The tipping restraints are not earthquake restraints. If you wish to add the extra security of earthquake restraints, they must be purchased and installed separately.

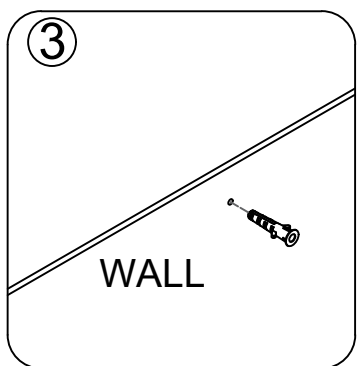
Install the tipping restraint hard ware



1. make mark on the wall



2. drill one Ø6 holes on the wall



3. put one anchors in the holes

