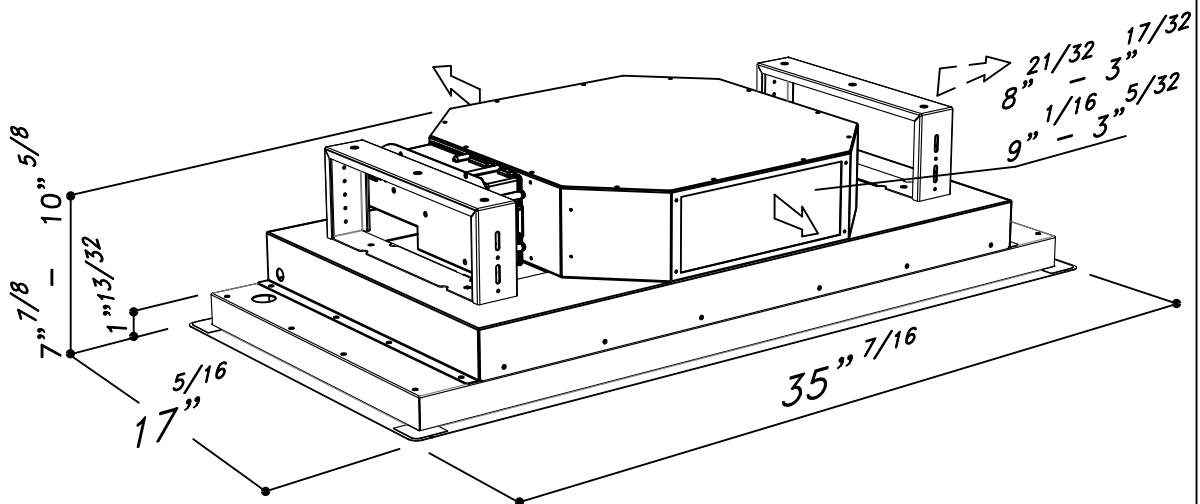


SUT958

radial motor



For the installation, create a false ceiling with a niche of
 $34\frac{1}{16}$ " for $15\frac{15}{16}$ " whose $1\frac{1}{4}$ "
minimum height to be reached is 8"

05/2019