

CHAIR ASSEMBLY INSTRUCTIONS

ADVICE BEFORE INSTALLATION

- Before you start please read carefully the following instructions.
- Use this product only for its own functions and features of origin, never use it as a ladder.

PART LIST

A. Back (1pc)

B. Left leg (1pc)

C. Right leg (1pc)

D. Screw 6x13mm (4pcs)

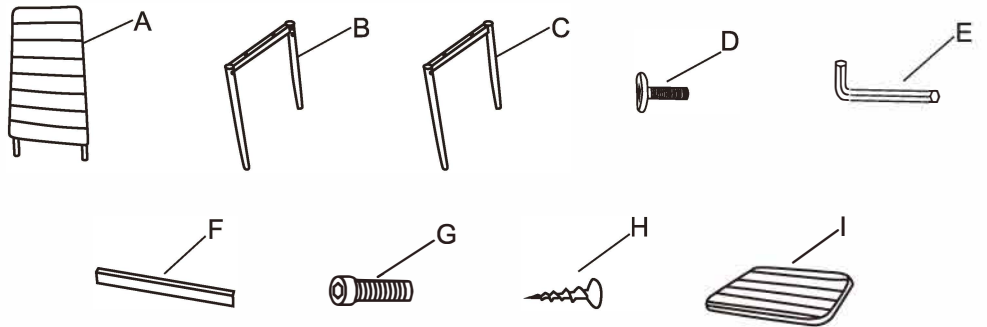
E. Allen Key (1pc)

F. Frame Bar (1pc)

G. Screw 6x40mm (2pcs)

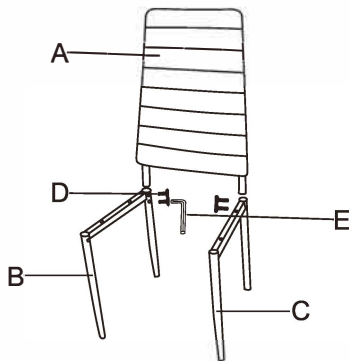
H. Screw 4x42mm (4pcs)

I. Seat (1pc)

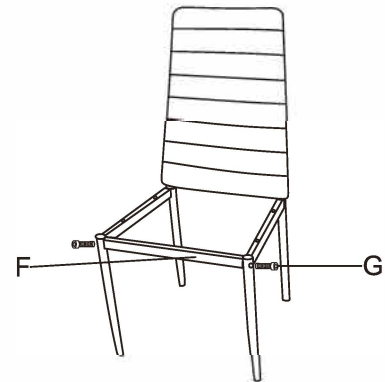


INSTALLATION STEP

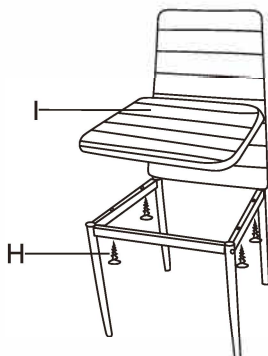
STEP 1



STEP 2



STEP 3



STEP 4

