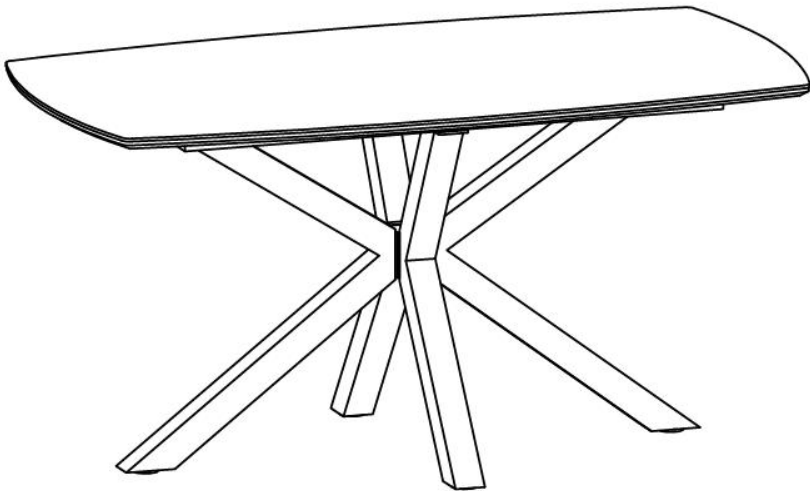




## Dining Table



**ITEM CODE 31565 31566**

Please keep this booklet for future reference.  
This is essential information regarding the installation  
and care for your furniture.

# TABLE OF CONTENT

IMPORTANT SAFEGUARDS ..... 1

PARTS LIST..... 2

ASSEMBLY INSTRUCTIONS ..... 3

SAFETY INSTRUCTIONS ..... 7

CARE GUIDE..... 8

TROUBLESHOOTING ..... 9

### Quick Note

- |                               |                            |
|-------------------------------|----------------------------|
| 1. Handle with Care           | 2. Fragile                 |
| 3. Caution: Delicate Material | 4. Do Not Drop             |
| 5. This Side Up               | 6. Keep Dry & Avoid Impact |
| 7. Use Two People to Lift     | 8. Handle Gently           |



(YouTube Assembly Video)

We Recommend Watching the Assembly Video First.  
It Will Make Putting Your Dining Table Together Quick and Easy



Minimum Two Persons Assembly



Approx Assembly Time 30-60 minutes

## Helpful advice before you begin

*(Minimum Two people require for assembling)*

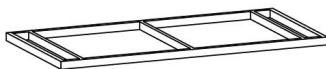
- We suggest you spend a short time reading through this leaflet and follow the simple step-by-step instructions.
- Unpack all parts and hardware, you do not lay the tabletop directly onto hard or rough surfaces during assembly. We recommend laying the tabletop on a blanket or cardboard during assembly. You could even use the box.
- Carefully check that you have all the parts before beginning assembly.
- Keep fittings out of children's reach and keep children away from the construction area.
- Do not use power tools for assembly, as overtightening can damage components.
- In the unusual event of an issue with your product, please quote the SKU, Item code and part number along PO or batch number.
- To ensure an easier assembly, we strongly advise that all fittings are only finger tightened during initial assembly. Only upon completion of the assembly should all fixing points be fully tightened
- Do not dispose of the packaging until the contents have been fully assembled.
- When lifting or moving the product, we recommend two people handle the product. Trying to move a product on your own can lead to accidents or Injury to you or the product.
- If you have any concerns regarding your product, please contact your retailer.

# BOX-1 OF 1

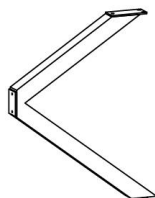
## CONTENT LIST



① x1



② x1



③ x2



④ x2



⑤ x1



Ax8



Bx8



Cx1



Dx1



Ex1



Fx1



Gx16



Hx1

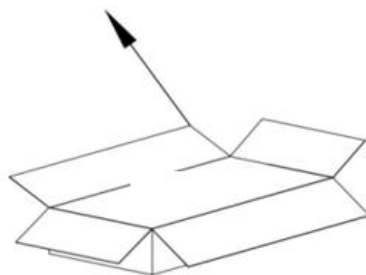


Ix8



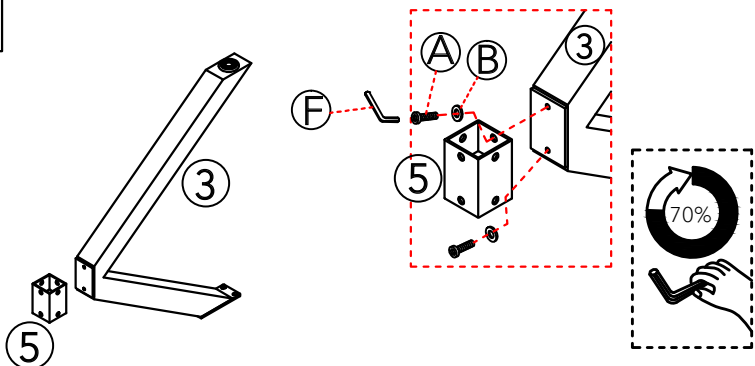
Jx8

Once you have identified you have all of the relevant parts and fittings,  
please follow the instructions

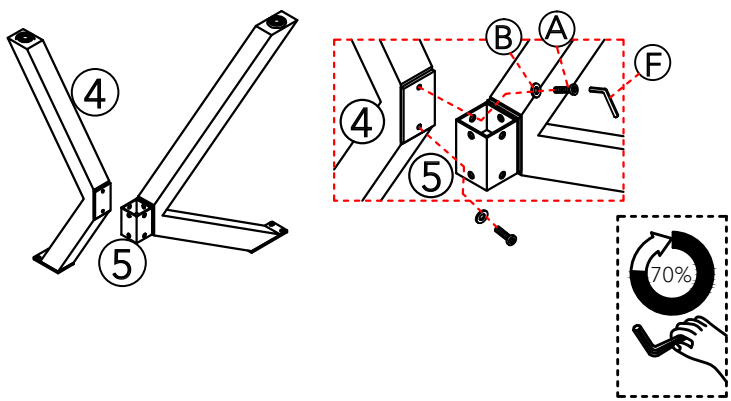


# DINING TABLE ASSEMBLY

01

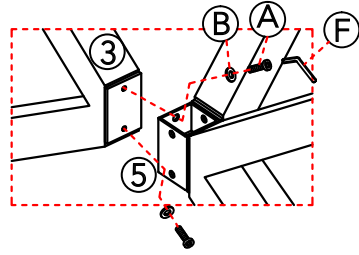
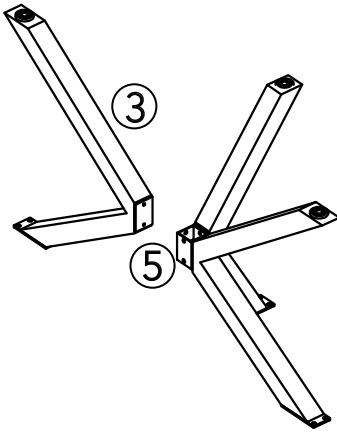


02

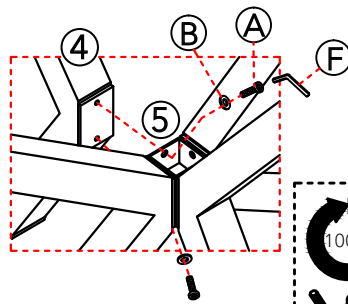
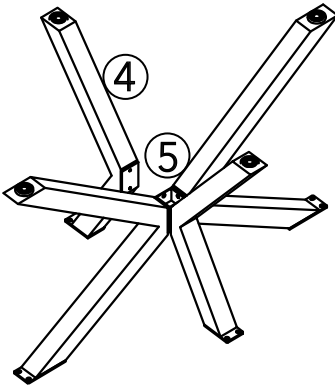


**NOTE:** Do not fully tighten the bolts until all parts have been properly assembled

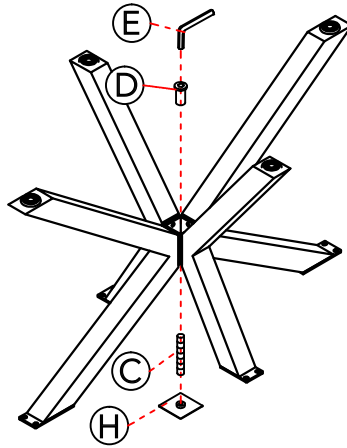
03



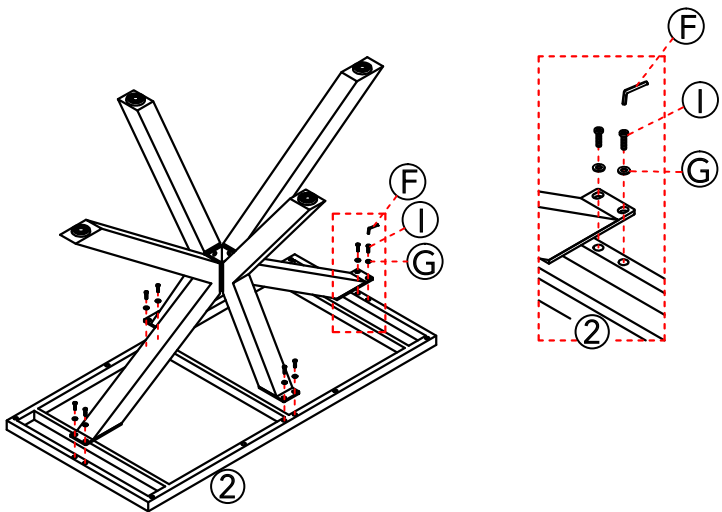
04



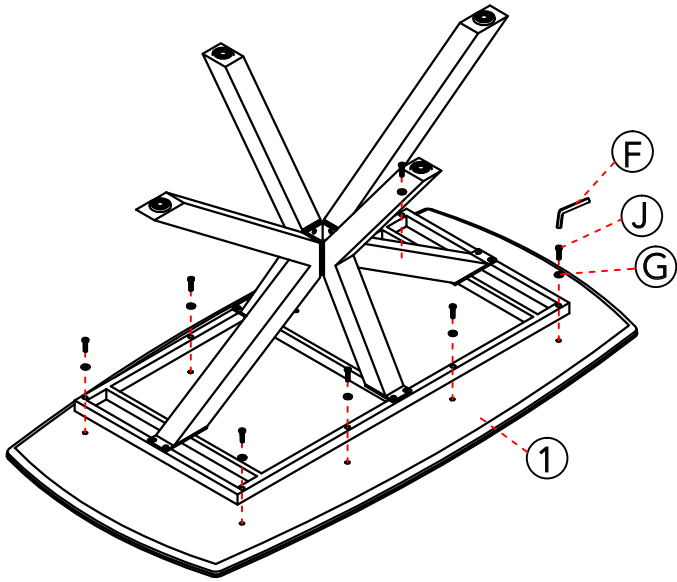
05



06



07



# SAFETY AND WARNING INSTRUCTIONS

## Extension Mechanism:

- Open/close slowly to avoid pinching fingers.
- Ensure the extension mechanism is locked before use.
- Keep hands and feet clear of mechanisms to prevent entrapment of fingers.

## Children:

- Do not allow children to operate the extension mechanism.
- Do not leave children unattended near edges or moving parts.
- Exercise caution when children, pets, or individuals with disabilities are near the extending parts of the table.

## Weight Limits:

- You do not put items that are heavier than the recommended weight capacity on the tabletop.

## Tabletop:

- You do not place very hot or very cold items, such as saucepans or barbecues, directly on the tabletop surface. Extreme temperature differences over small areas can damage tabletops.
- You do not sit or stand on the tabletop surface.

## Stability:

- Place on a flat, even surface.
- Do not lean or put excessive weight on extensions.
- Do not use the Dining table outdoors.

## Maintenance Tips

- Periodically, check that there are no loose screws, nuts or bolts. If there are, please re-tighten.
- Lubricate extension tracks (if metal) with silicone spray.

# CARE GUIDE

To ensure the longevity and appearance of your furniture, we recommend the following care and maintenance guidelines:

## Regular Tabletop Cleaning:

Dust your sofa regularly, including under the seat cushions, using soft, dry cloth or a vacuum cleaner with a brush attachment.

**Stain Removal:** To clean your new Dining table, we'd advise using a warm damp cloth - please do not use abrasive chemicals or bleach as this may damage the product. Avoid: Scouring pads & Strong acids/alkalis.

Avoid placing your Dining table in direct sunlight or under intense indoor lighting to prevent fading and drying.

**Heat Resistance:** Ceramic is heat-resistant but do not place hot cookware directly on the surface. Always use heat-resistant mats.

- You clean the tabletop regularly to make sure there is no grit on the top.
- You do not strike the tabletop with hard or pointed items or use the tabletop as a chopping surface.
- You do not drag rough or heavy objects over the top of the tabletop.
- You use place mats, coasters and tablecloths to help protect against scratches and accidentally dropped items where possible.

## Base (Wood/Metal)

**Wood:** Use a wood-safe polish or damp microfiber cloth & **Metal:** Wipe with a damp cloth and dry immediately to prevent rust.

By following these care guidelines, you can help to extend the life of your dining table and keep it looking its best for years to come.

## GENERAL TROUBLESHOOTING

Problem	Possible Cause	Solution
Table wobbles or is uneven	Uneven floor or loose legs	Adjust levelers under legs; check and tighten bolts
Extension leaves do not align or fit	Misalignment during assembly	Loosen and realign extension hardware, then retighten
Surface scratches or stains	Lack of protective pads/coasters	Use placemats/coasters; clean with mild soap
Tabletop appears dull or streaky	Use of harsh/abrasive cleaners	Clean with mild soap and water; dry thoroughly
Difficulty extending table	Debris in tracks or misalignment	Clean tracks, check for obstructions, realign as needed
Leaves difficult to store	No built-in storage	Store leaves in a nearby closet, flat and dry



HOMEDetail

Customer Care & Support  
HOME DETAIL  
Support@homedetail.co.uk

© Home Detail. All Rights Reserved.

Home Detail logos are registered trademarks of The Home Detail® Corporation.

Imported and distributed by:

Home Detail

4 Spiersbridge, Glasgow, United Kingdom

[www.homedetail.co.uk](http://www.homedetail.co.uk)