

# Product Specs Sheets

PIANTANA PORTA SCOPINO E PORTA ROTOLO IN OTTONE VERNICIATO  
TOILET PAPER AND BRUSH HOLDER STAND - DUST PAINTED BRASS

WEIGHT 10.4 LBS  
VOLUME m<sup>3</sup> MANCA

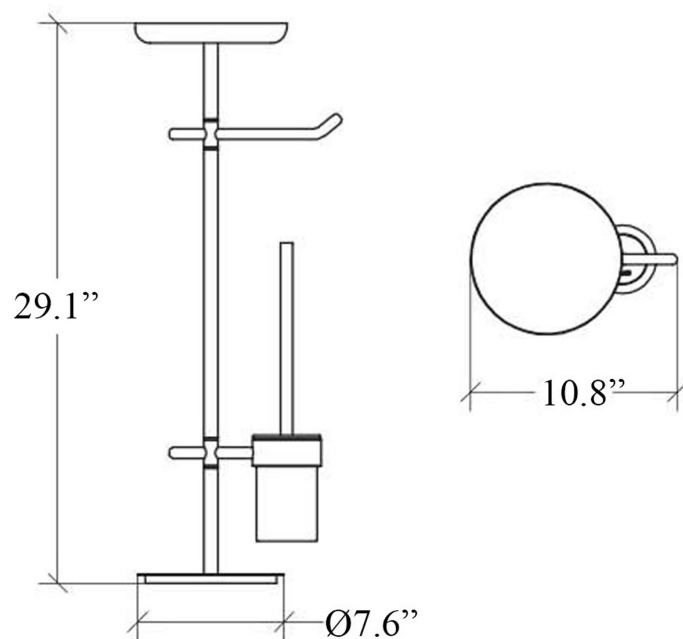
## FINISHINGS

- 5111.09 bianco / white
- 5111.11 rosso / red
- 5111.14 ruggine / rust brown
- 5111.15 arancio / orange
- 5111.16 fucsia / fuchsia
- 5111.17 antracite / dark grey

## MAINTENANCE

Pulire con panno morbido inumidito.

Clean with warm soapy water. Never use ammonia, abrasives, bleach or solvent based cleaners.



Collection  
Ranpin

Model |  
Ranpin 5111

Dimensions Metric

1 inch = 2.54 cm  
1 inch = 25.4 mm

**WS**<sup>®</sup>  
BATH  
COLLECTIONS

1051 Lea Drive - Collegeville, PA 19426  
Tel. 215 513 9400 - Fax 610 831 0215  
[www.ws bathcollections.com](http://www.ws bathcollections.com) - [info@ws bathcollections.com](mailto:info@ws bathcollections.com)