

ATTENTION

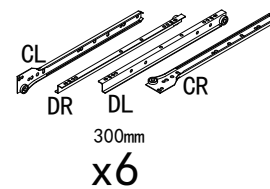
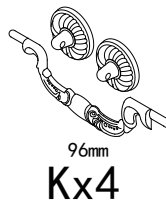
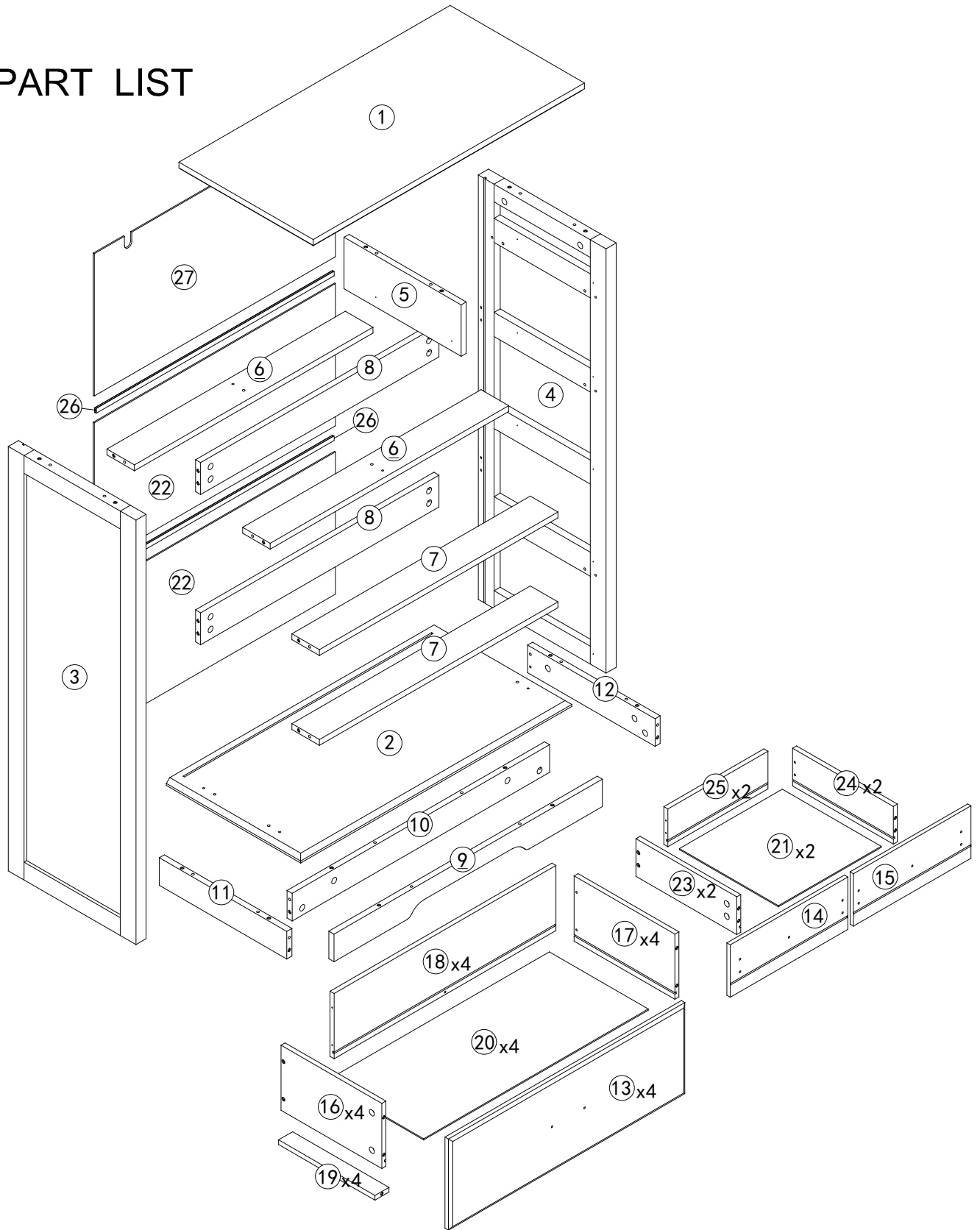
If there is any missing, please kindly send us messages to let us know the part number of missing part regarding to the first page of instructions.

Please also provide your full address, recipient name and contact phone number so that we can send replacement to you as soon as possible.

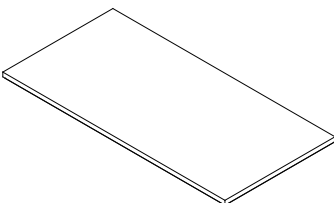
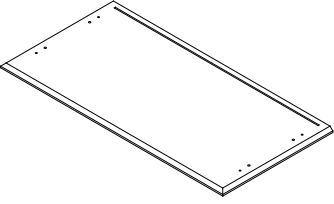
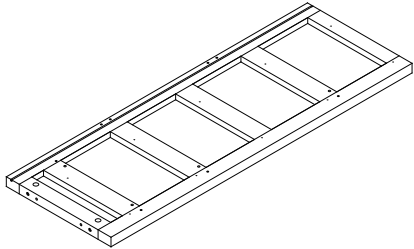
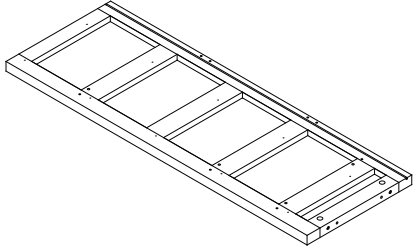
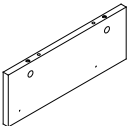
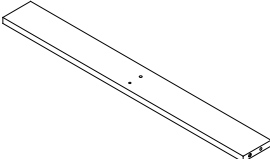
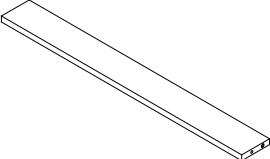
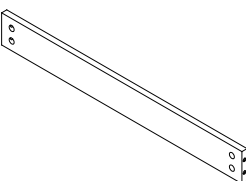
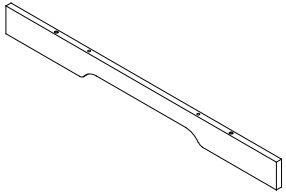
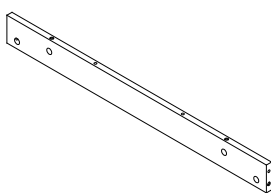
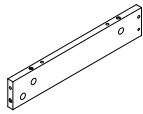
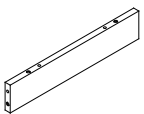
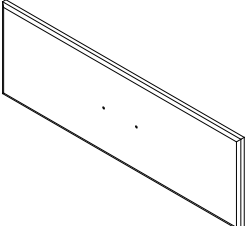
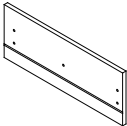
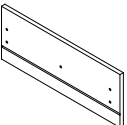
Children have died from furniture tipover. To reduce the risk of furniture tipover. ALWAYS install tipover restraint provided.

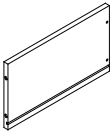
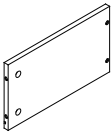
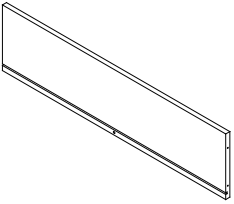
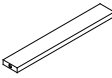
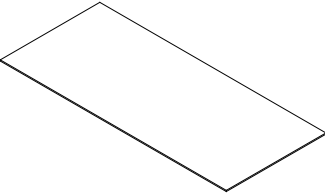
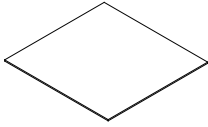
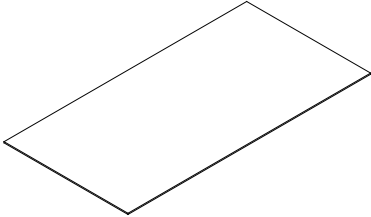
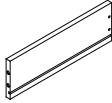
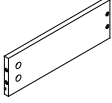
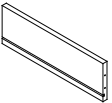
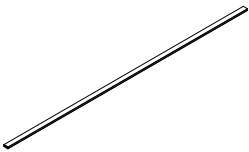
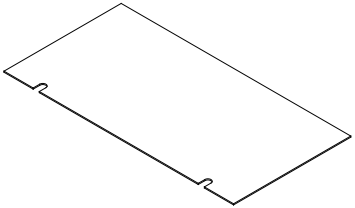


PART LIST



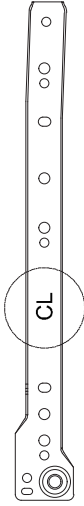
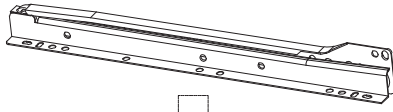
PART LIST

1  x1	2  x1	3  x1
4  x1	5  x1	6  x2
7  x2	8  x2	9  x1
10  x1	11  x1	12  x1
13  x4	14  x1 L	15  x1 R

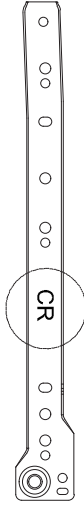
<p>16</p> <p>x4</p> 	<p>17</p> <p>x4</p> 	<p>18</p> <p>x4</p> 
<p>19</p> <p>x4</p> 	<p>20</p> <p>x4</p> 	<p>21</p> <p>x2</p> 
<p>22</p> <p>x2</p> 	<p>23</p> <p>x2</p> 	<p>24</p> <p>x2</p> 
<p>25</p> <p>x2</p> 	<p>26</p> <p>x2</p> 	<p>27</p> <p>x1</p> 



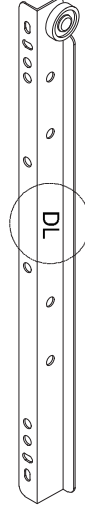
X 6SET



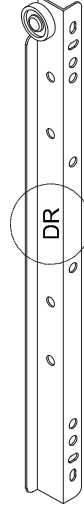
CL



CR



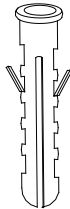
DL



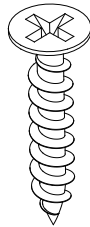
DR



D =



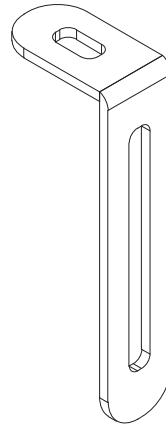
1



2

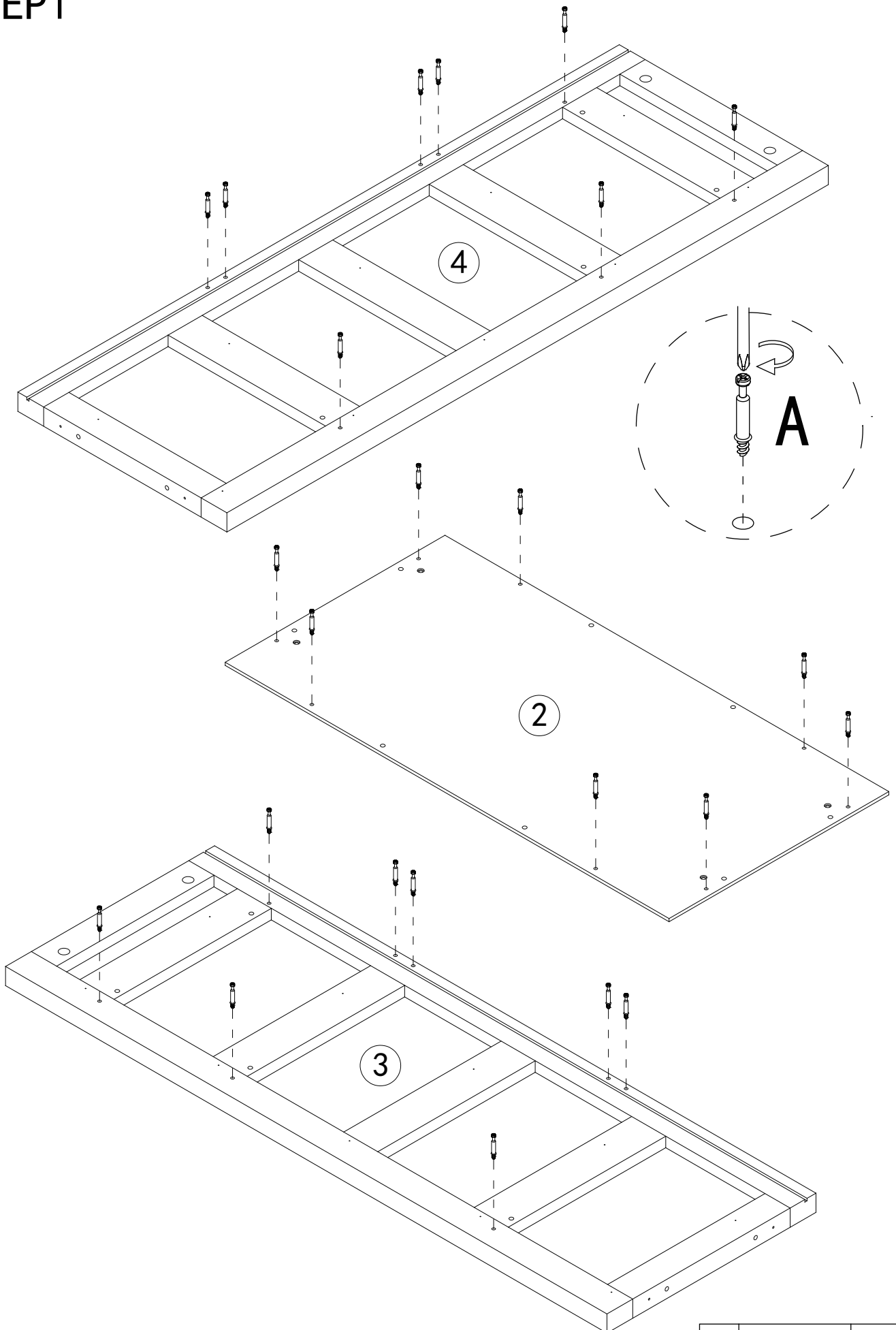



3



4

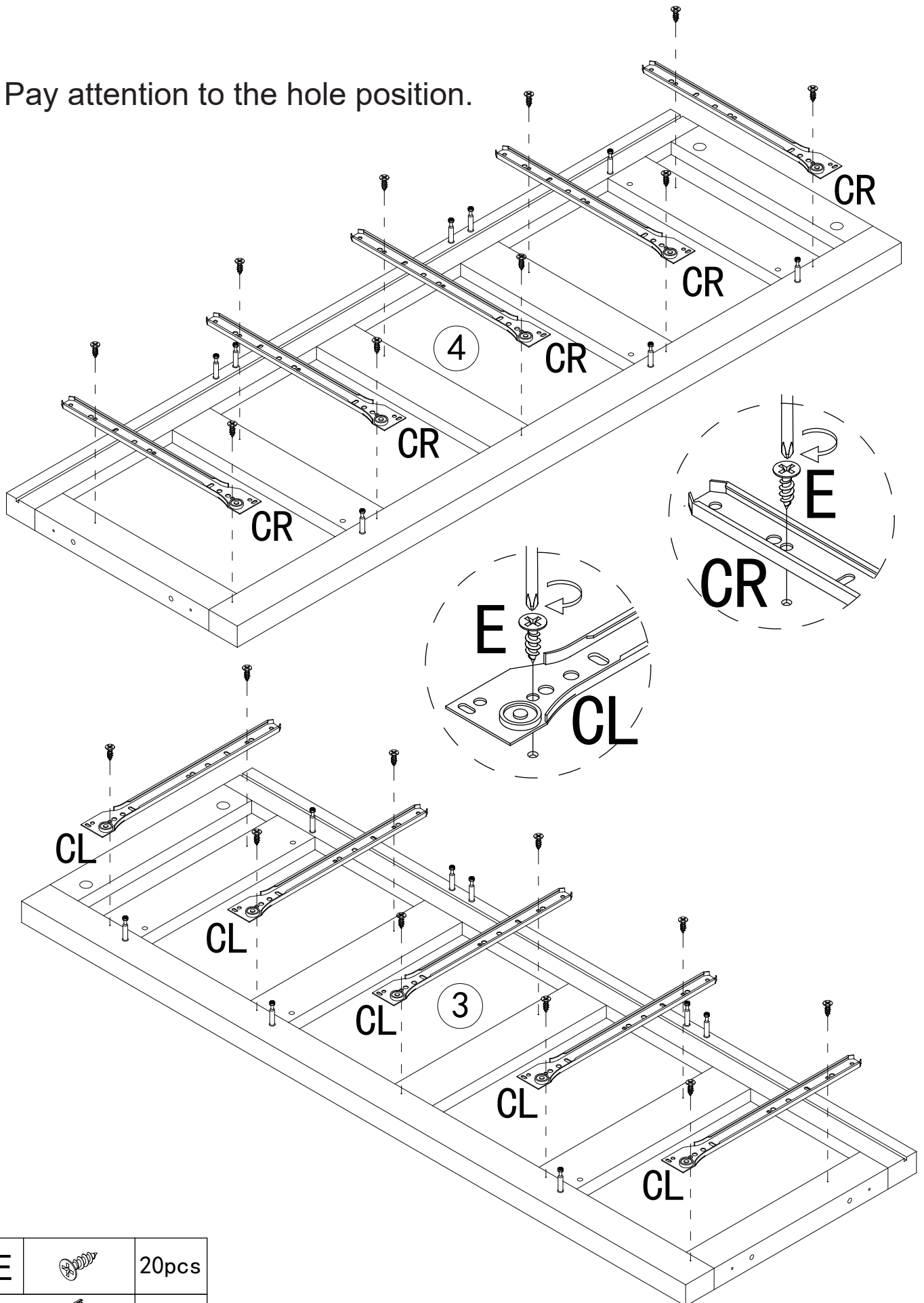
STEP 1

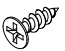



A		24pcs
---	---	-------

STEP2

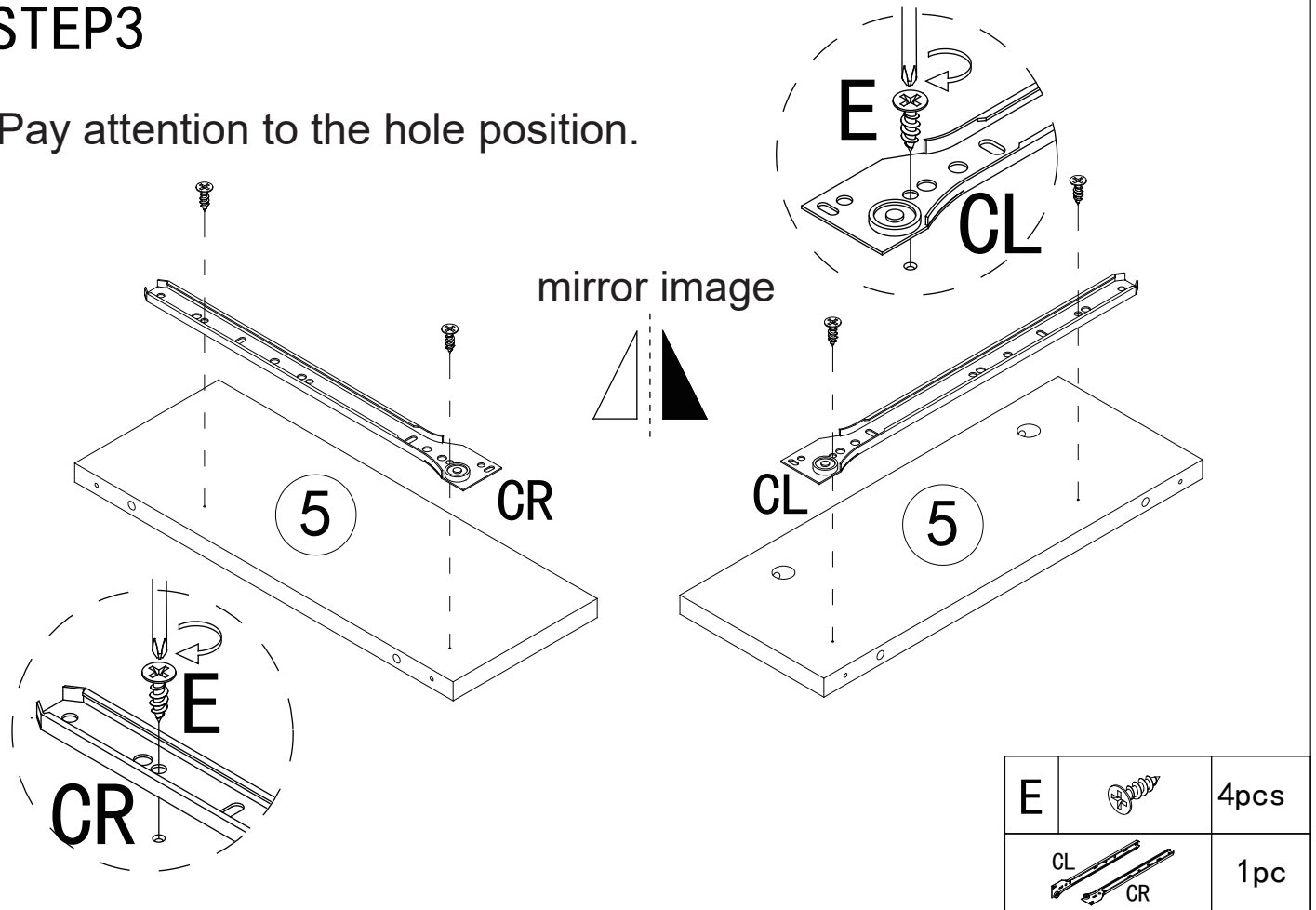
Pay attention to the hole position.



E		20pcs
CL CR		5pcs

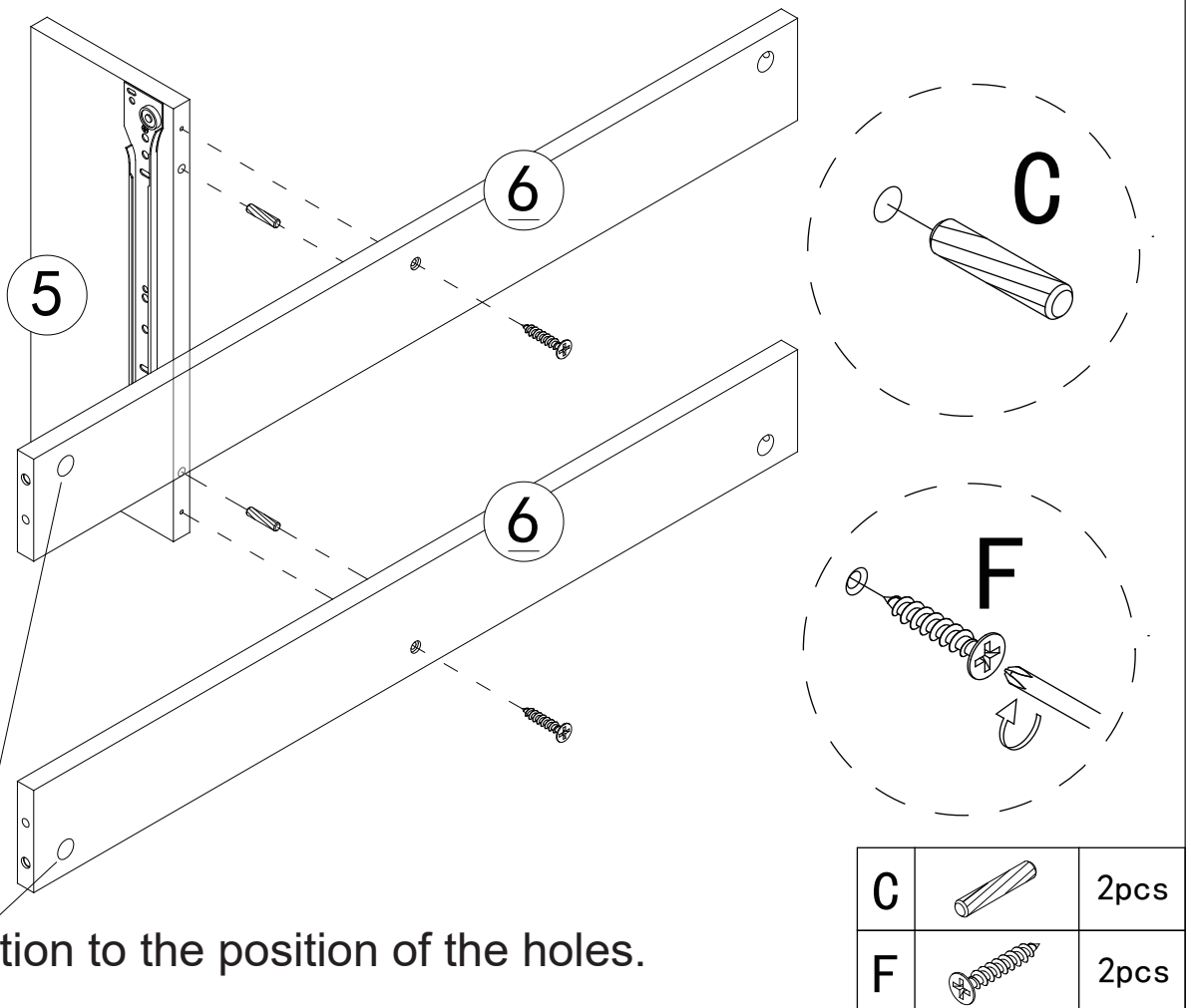
STEP3

Pay attention to the hole position.

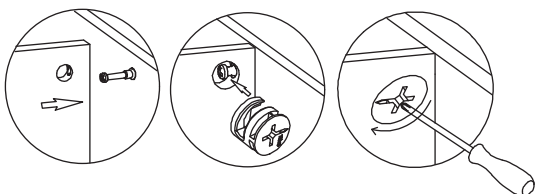
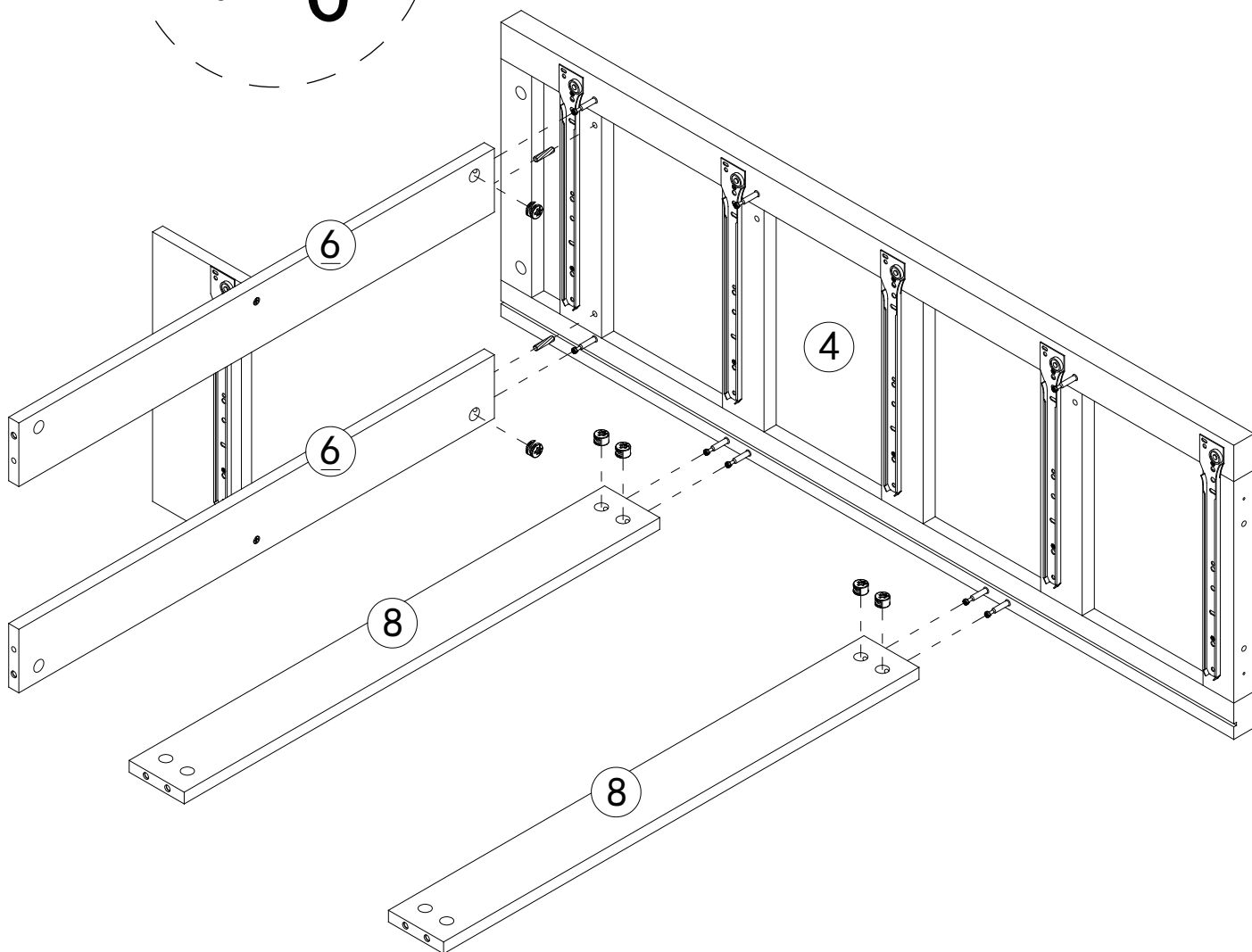
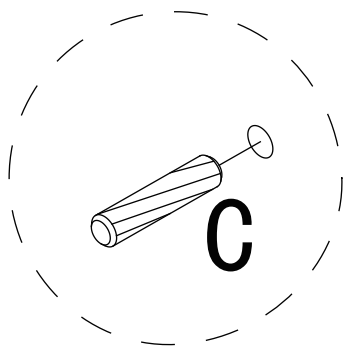



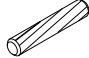
STEP4

Pay attention to the position of the holes.

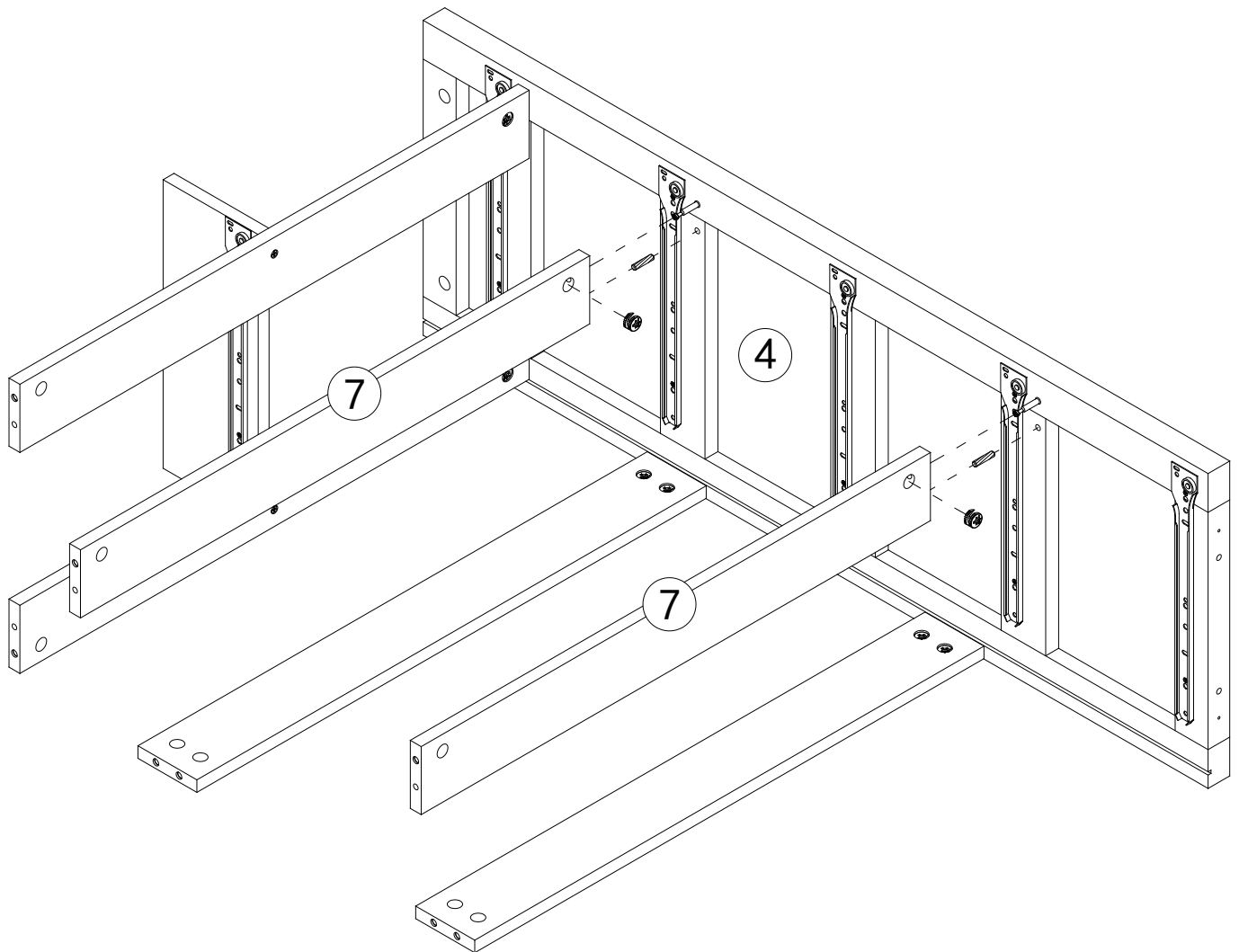
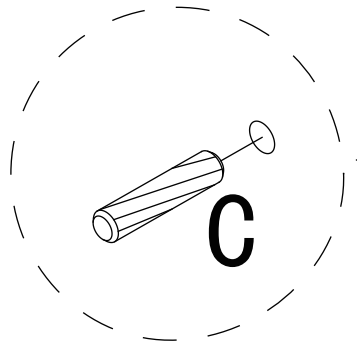




STEP5

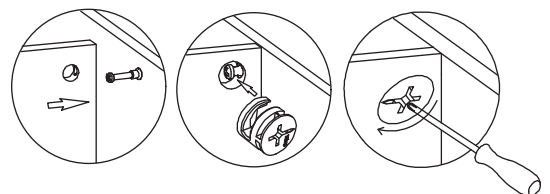


B		6pcs
C		2pcs

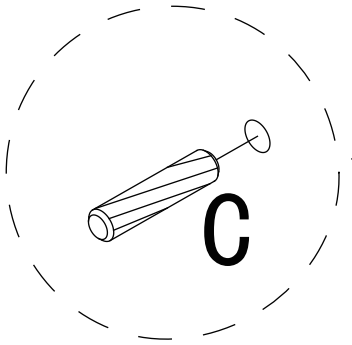
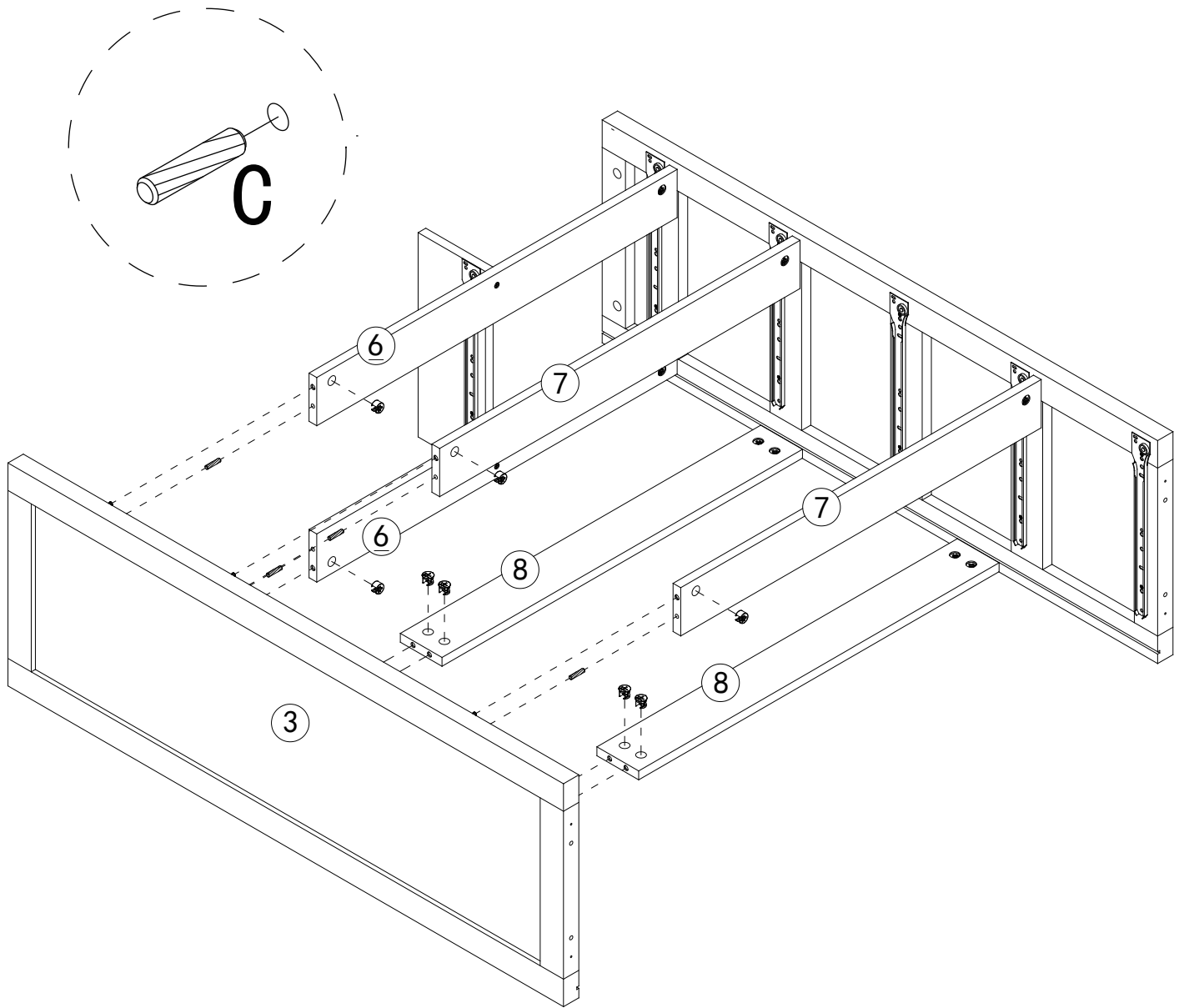
STEP 6





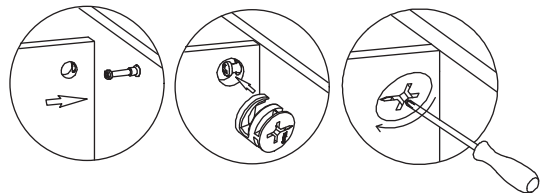
B		2pcs
C		2pcs



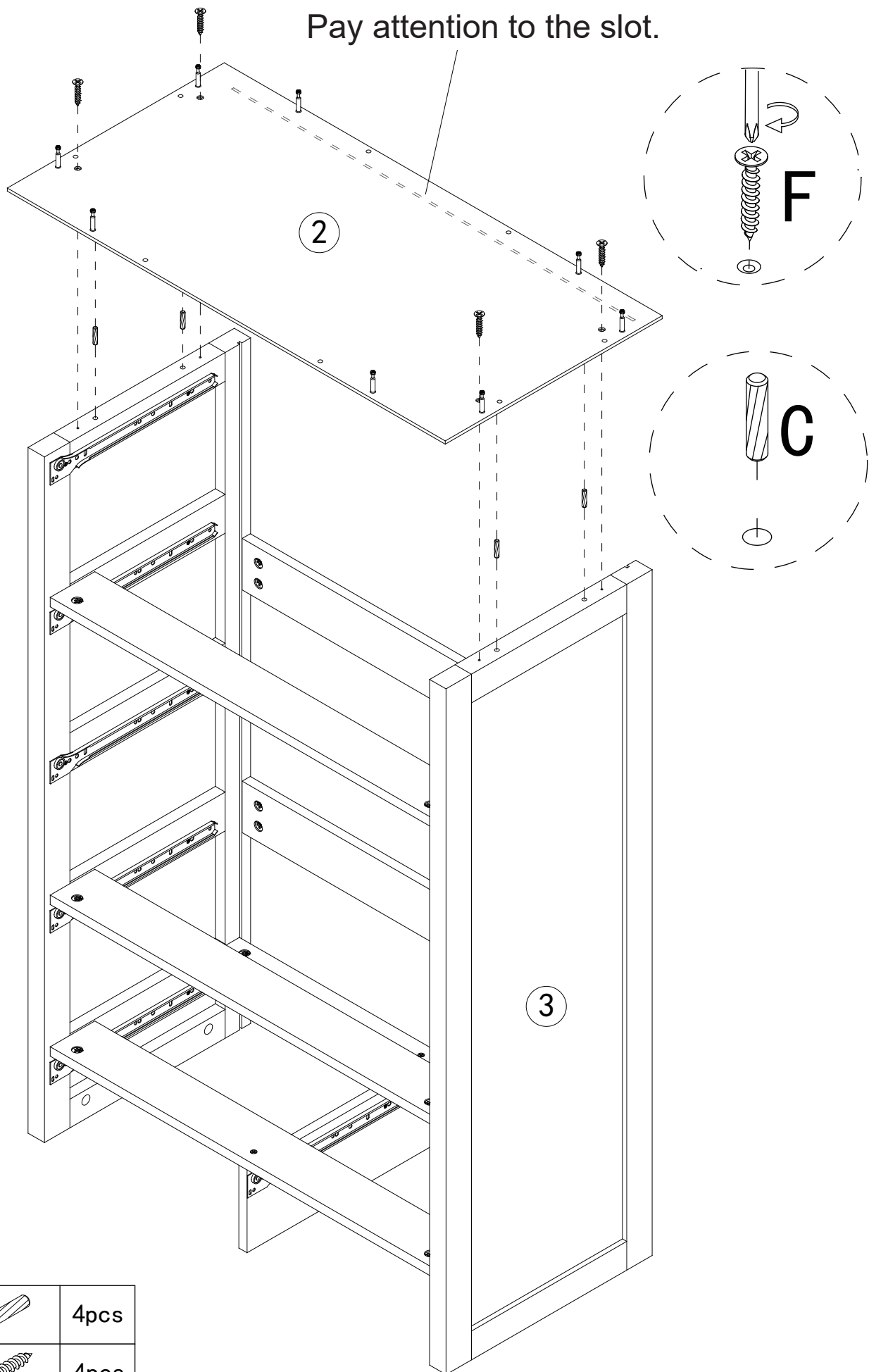
STEP 7

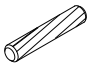
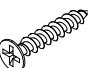


B		8pcs
C		4pcs

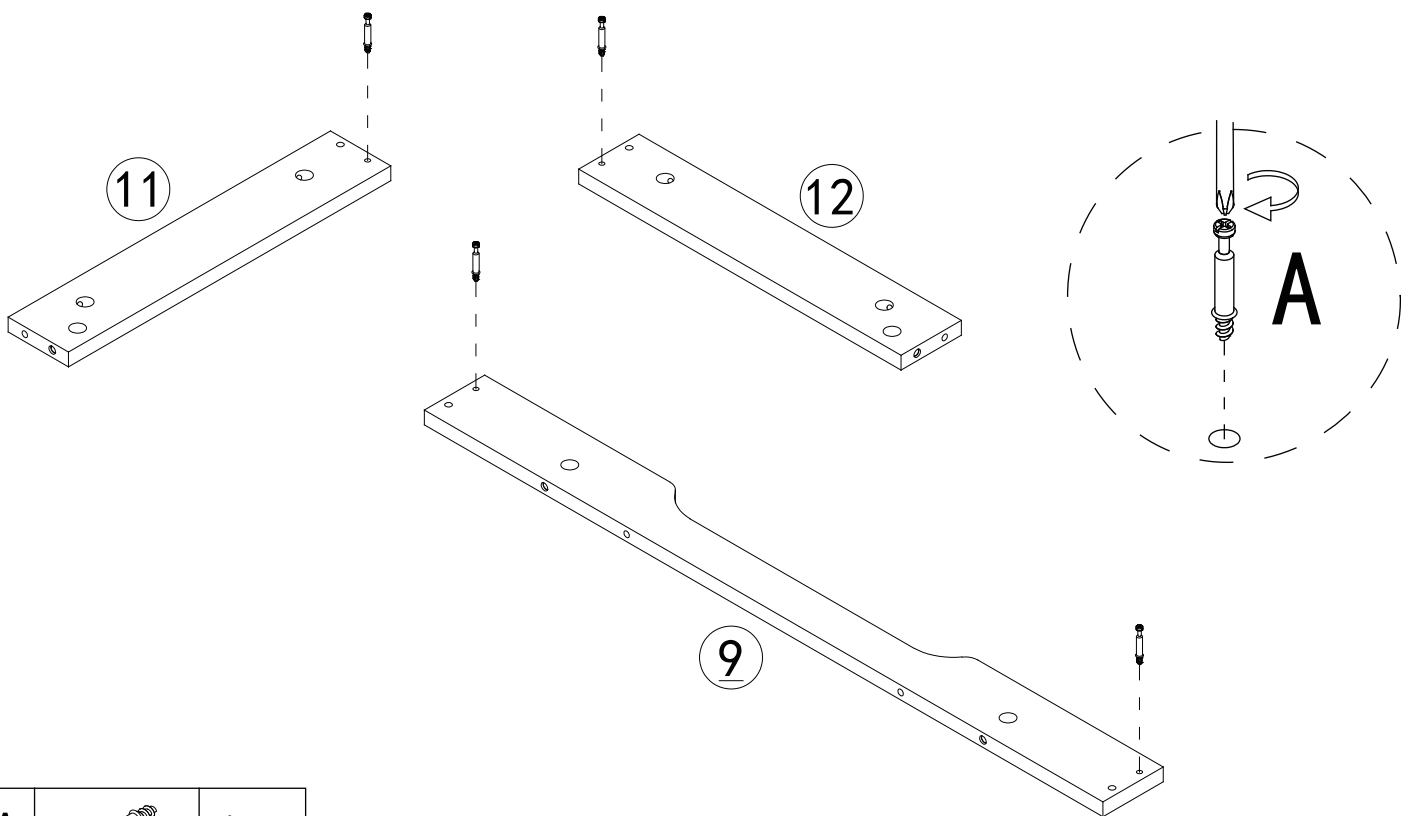



STEP 8



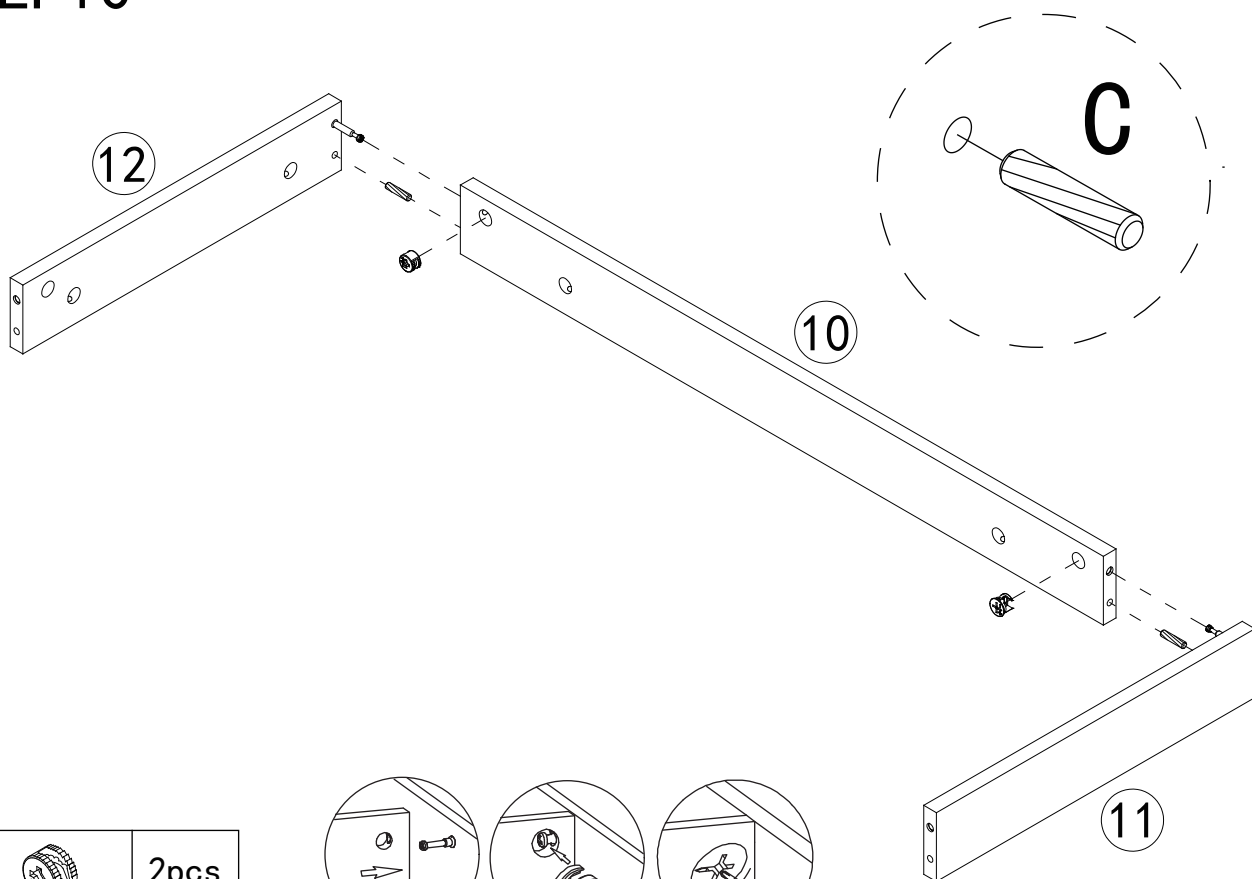
C		4pcs
F		4pcs



STEP9



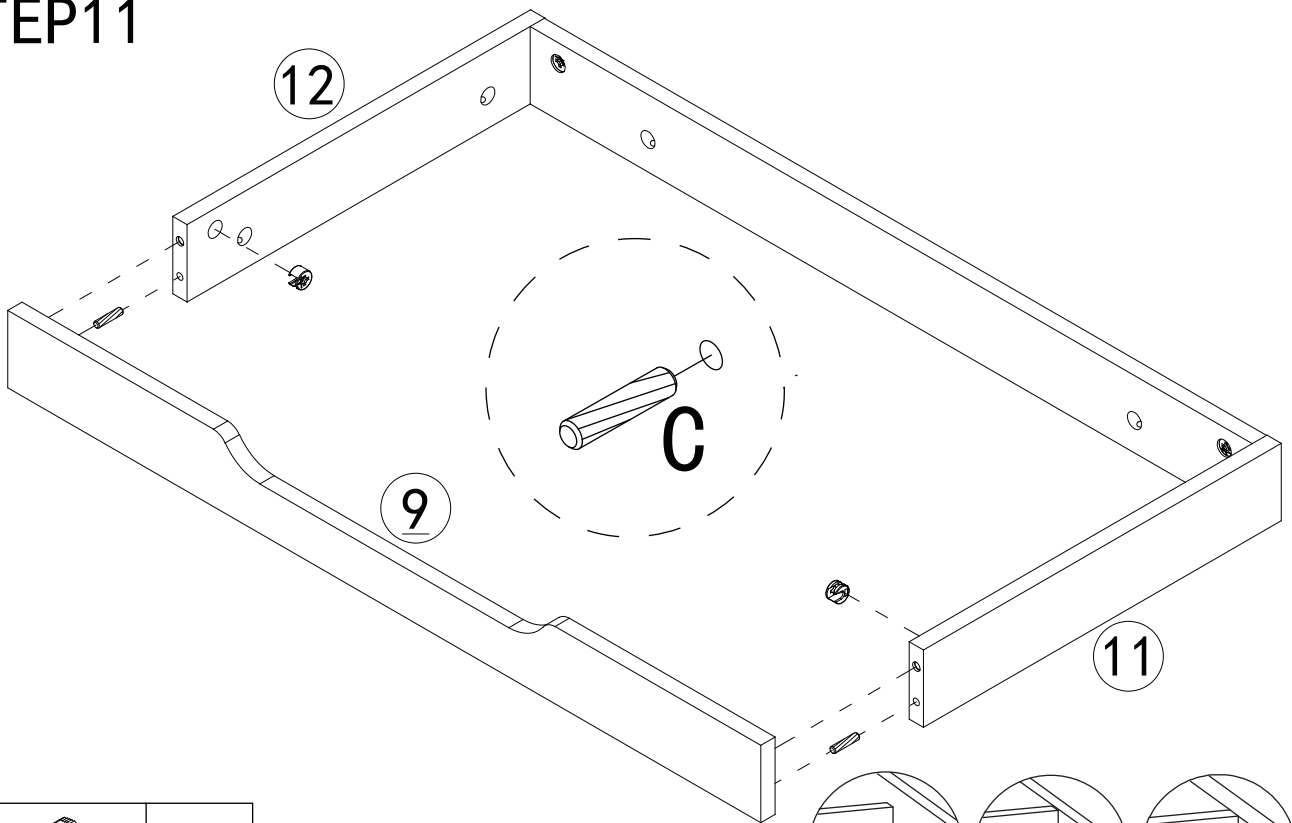
A		4pcs
---	---	------



STEP10

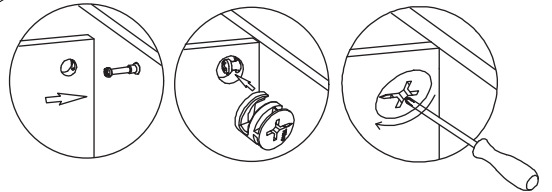


B		2pcs
C		2pcs

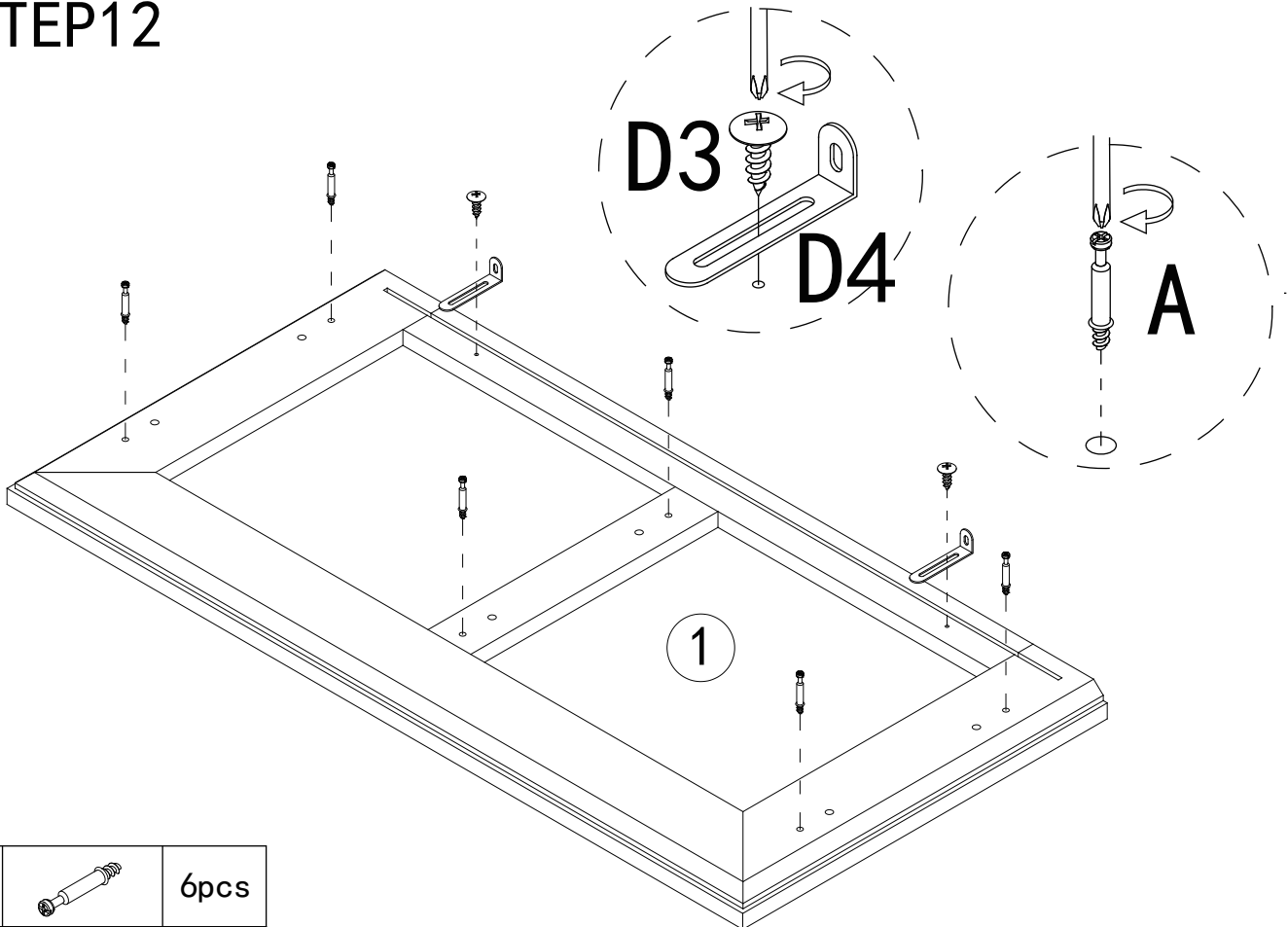
STEP 11





B		2pcs
C		2pcs

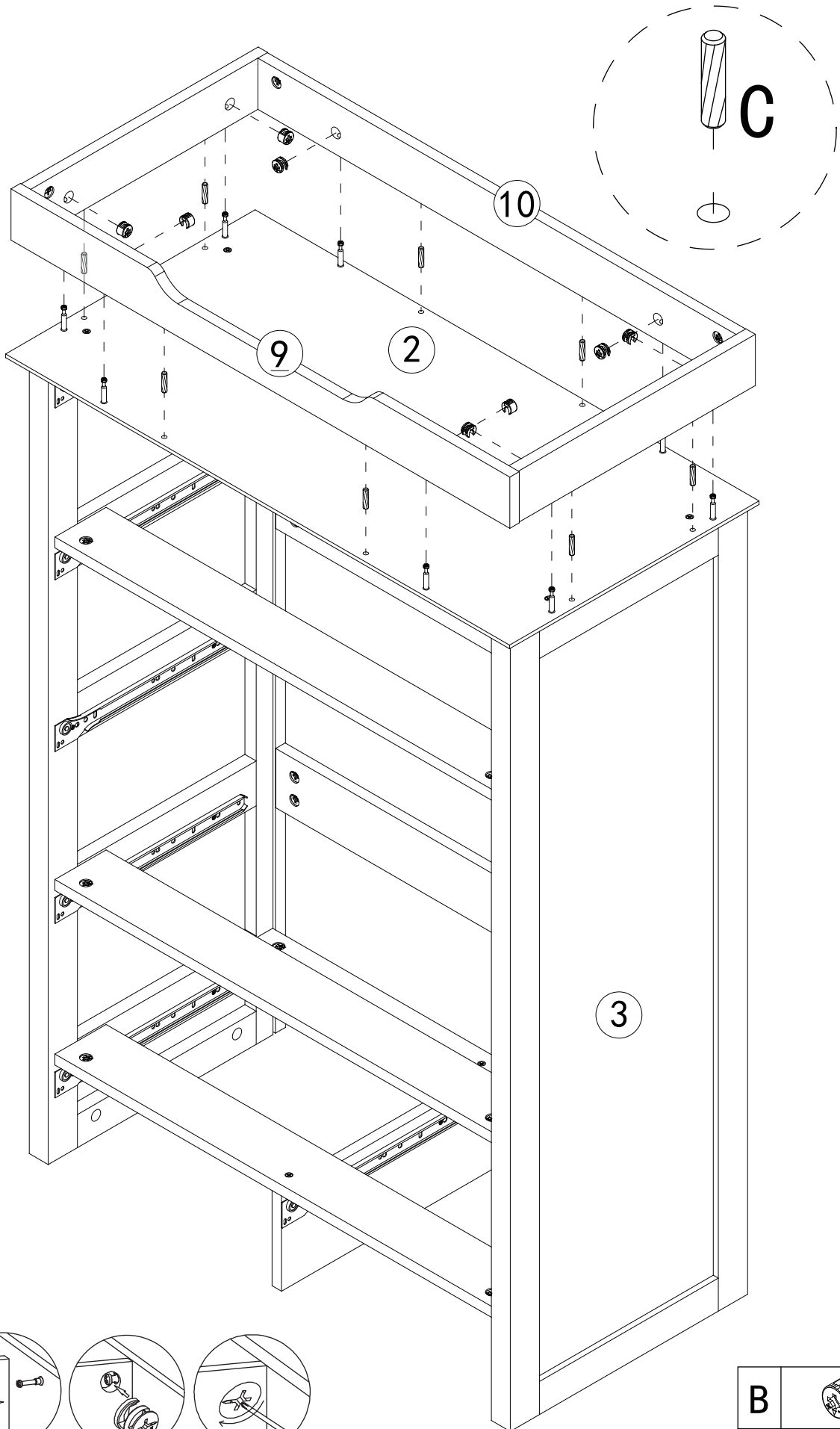


STEP 12

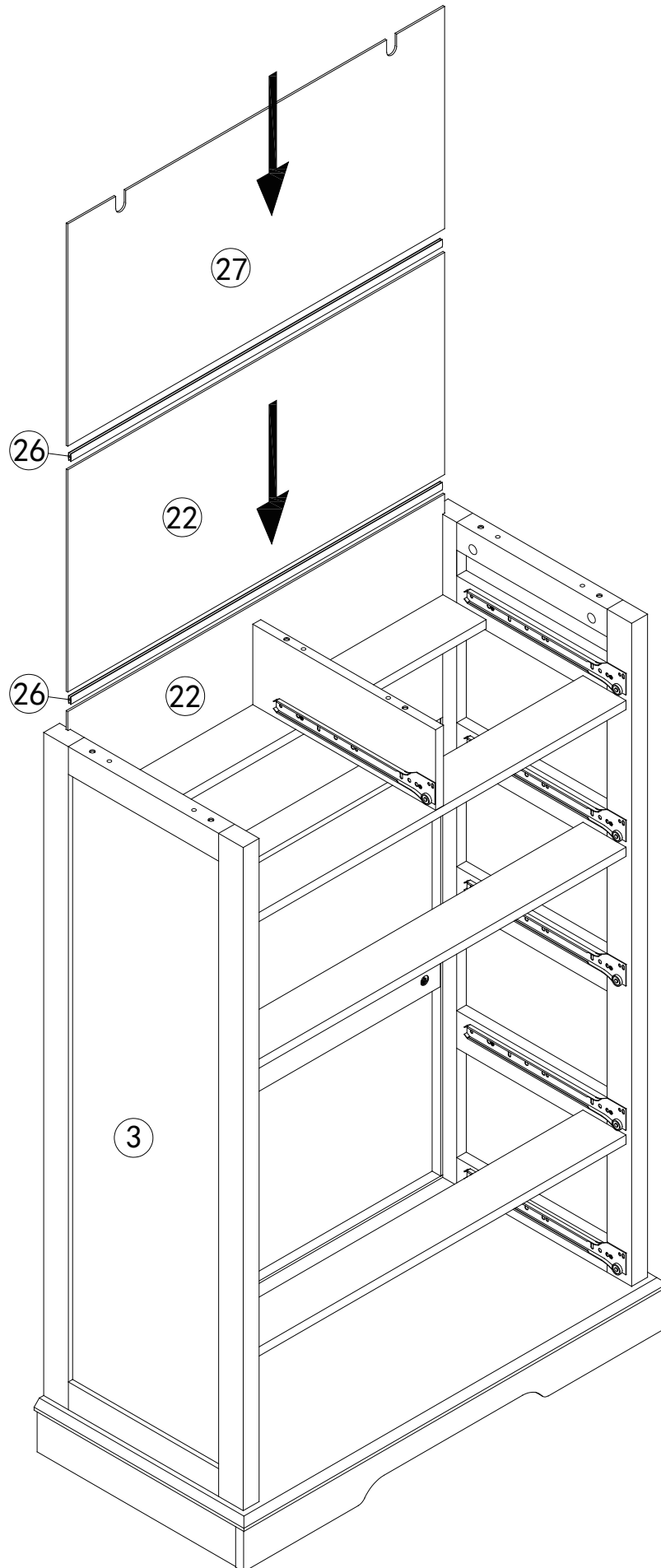


A		6pcs
D		2pcs

STEP 13

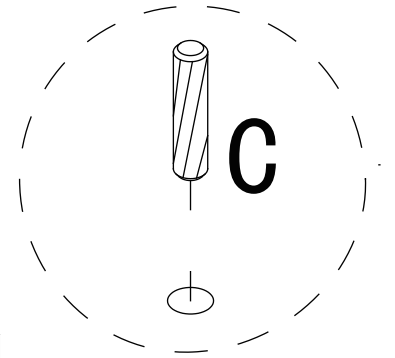
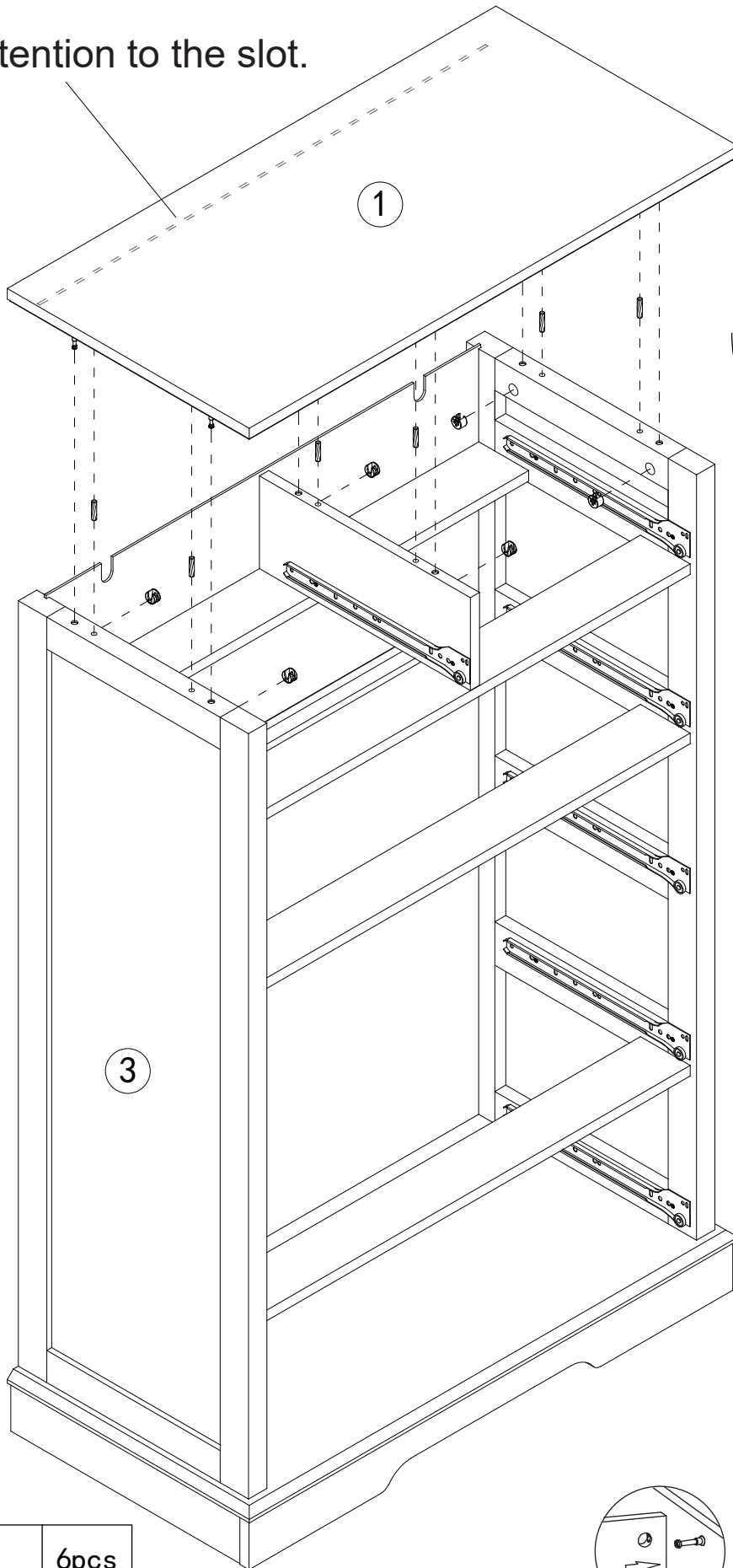



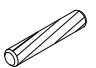
STEP 14

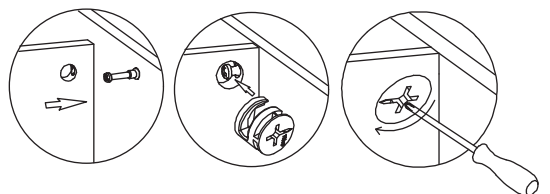


STEP15

Pay attention to the slot.

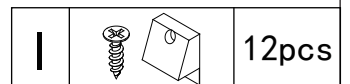
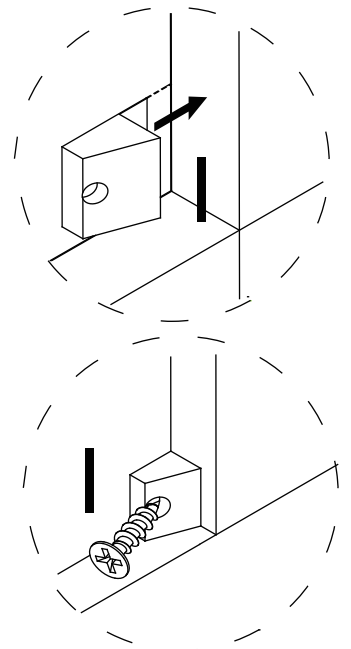
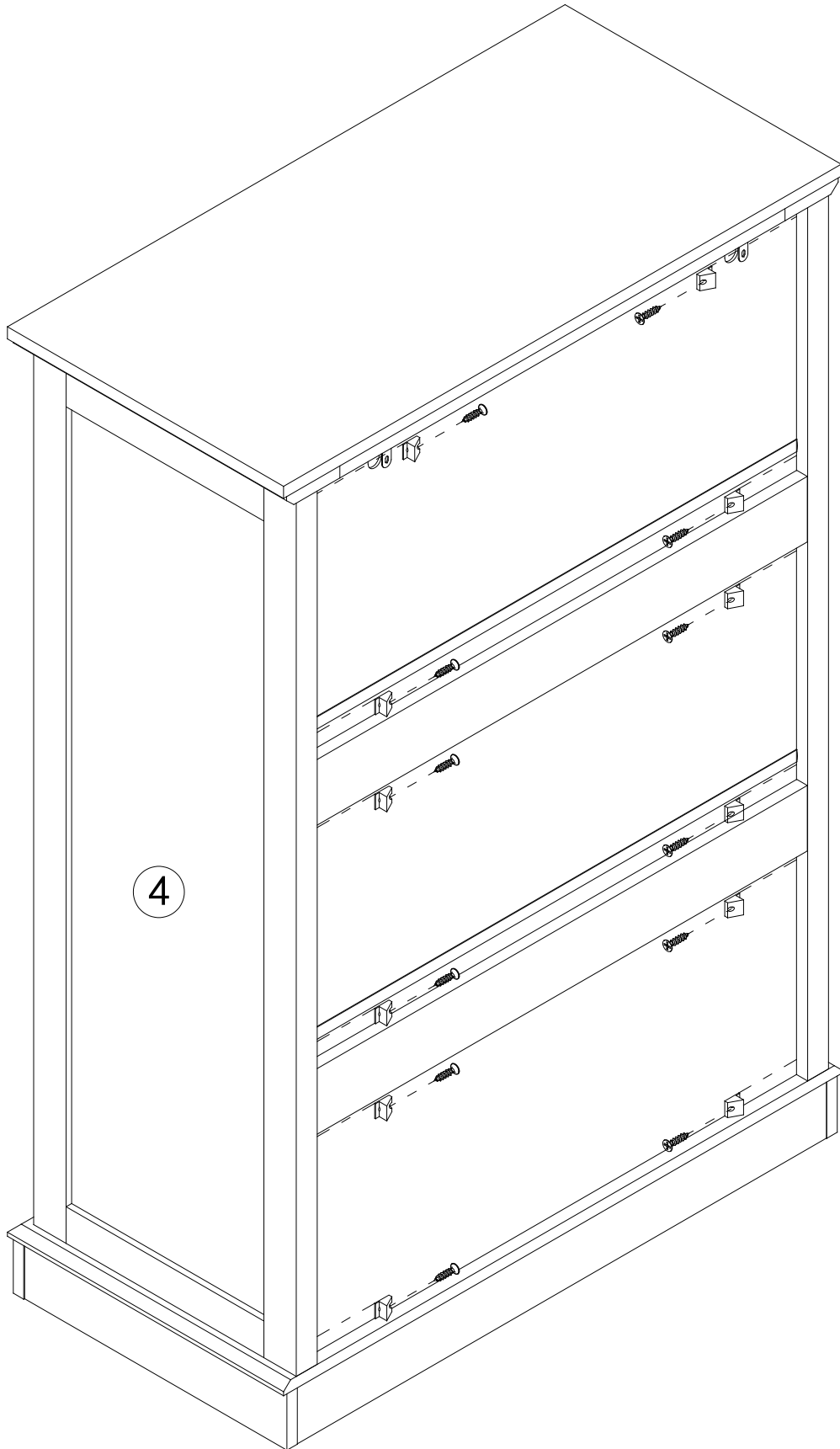


B		6pcs
C		6pcs

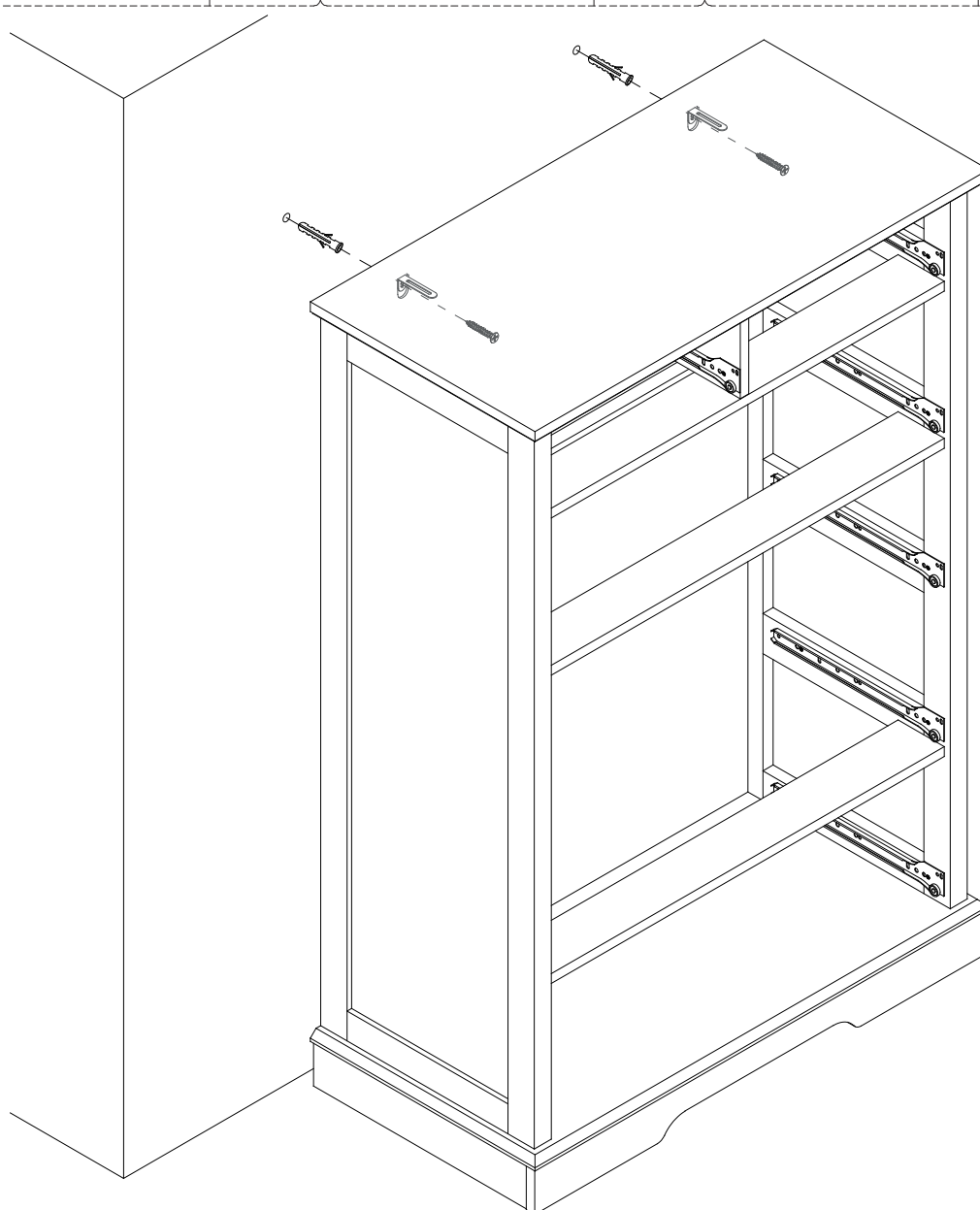
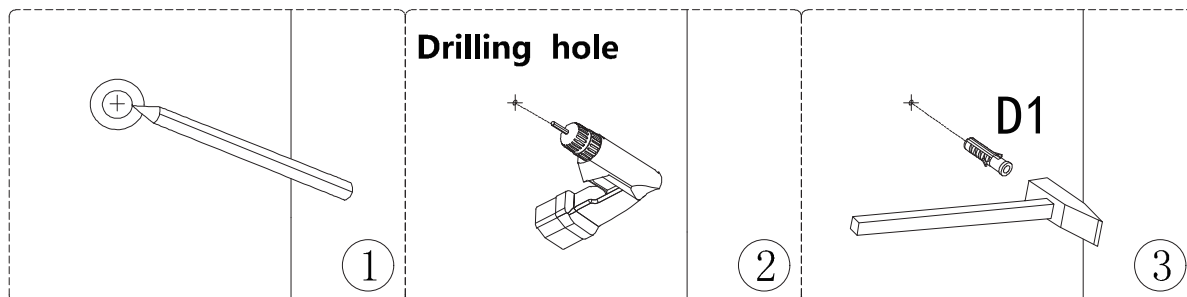


STEP16

Be sure to install back plate buckle to prevent the cabinet from shaking.



STEP17



Drill a hole in the wall, then hammer the D1 into the wall with a hammer.

Note: Follow step

link D4 and D1 with a D2 using a screwdriver, and assembly it tightly.

Note: When moving the cabinet, please lift it vertically off the ground.

Dragging may cause loose connectors, affecting stability and service life.

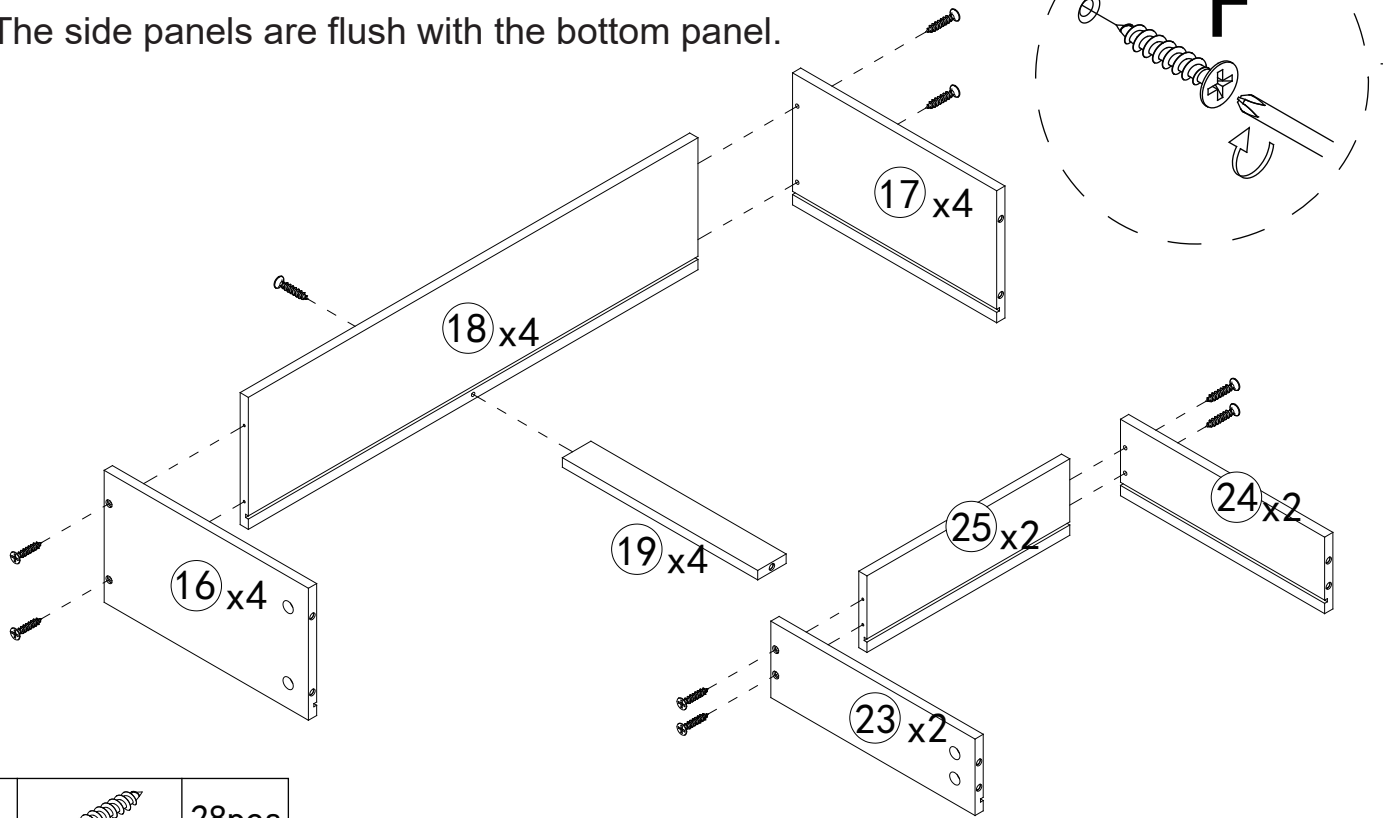
D



2pcs

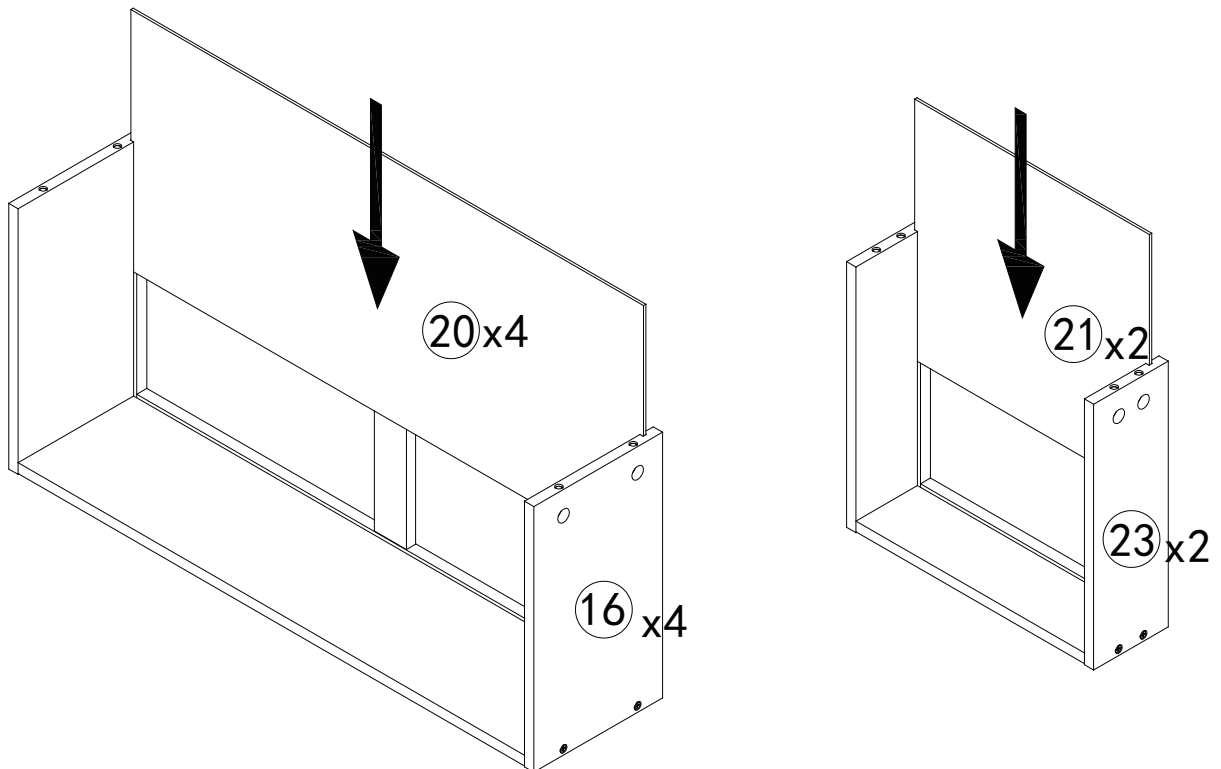
STEP18

The side panels are flush with the bottom panel.

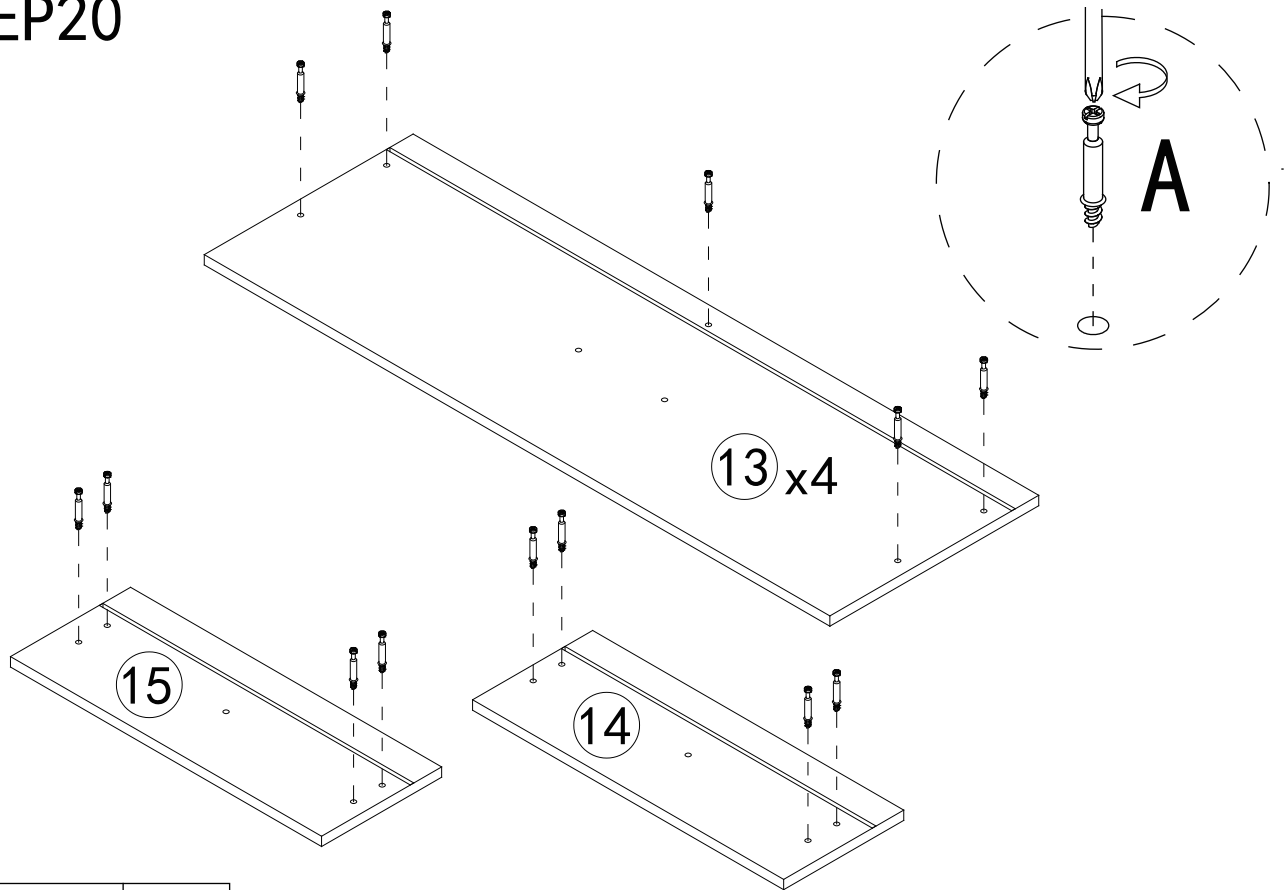


F		28pcs
---	---	-------

STEP19



STEP20

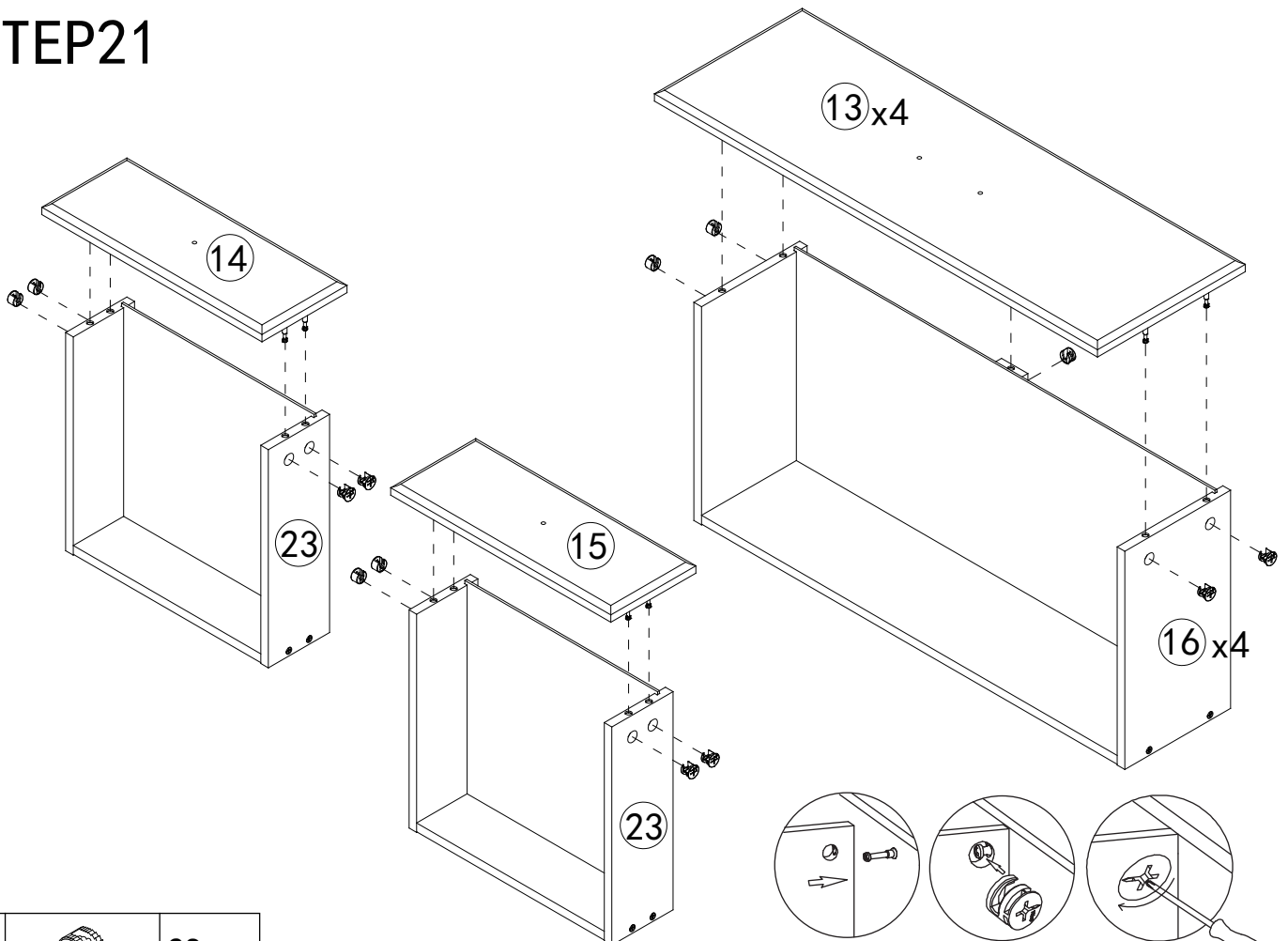


A



28pcs

STEP21

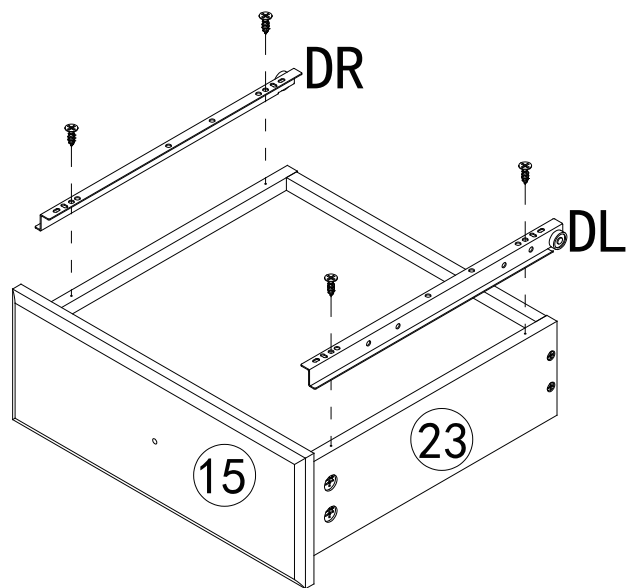
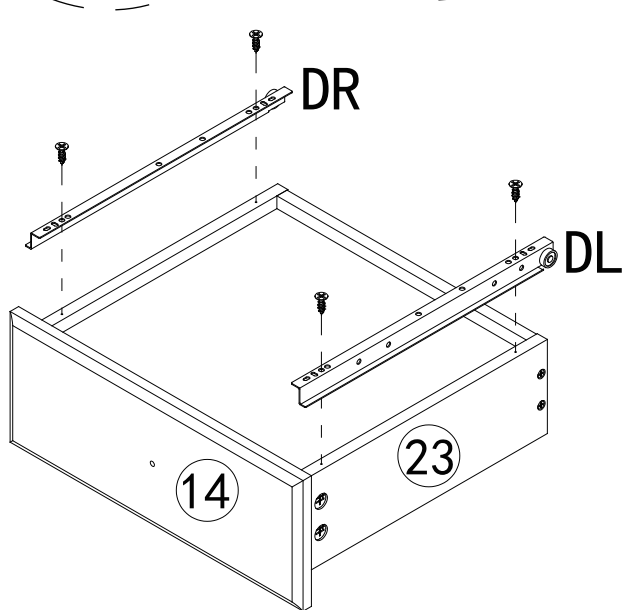
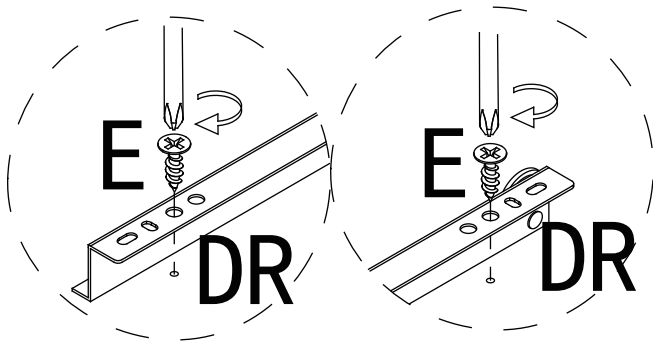
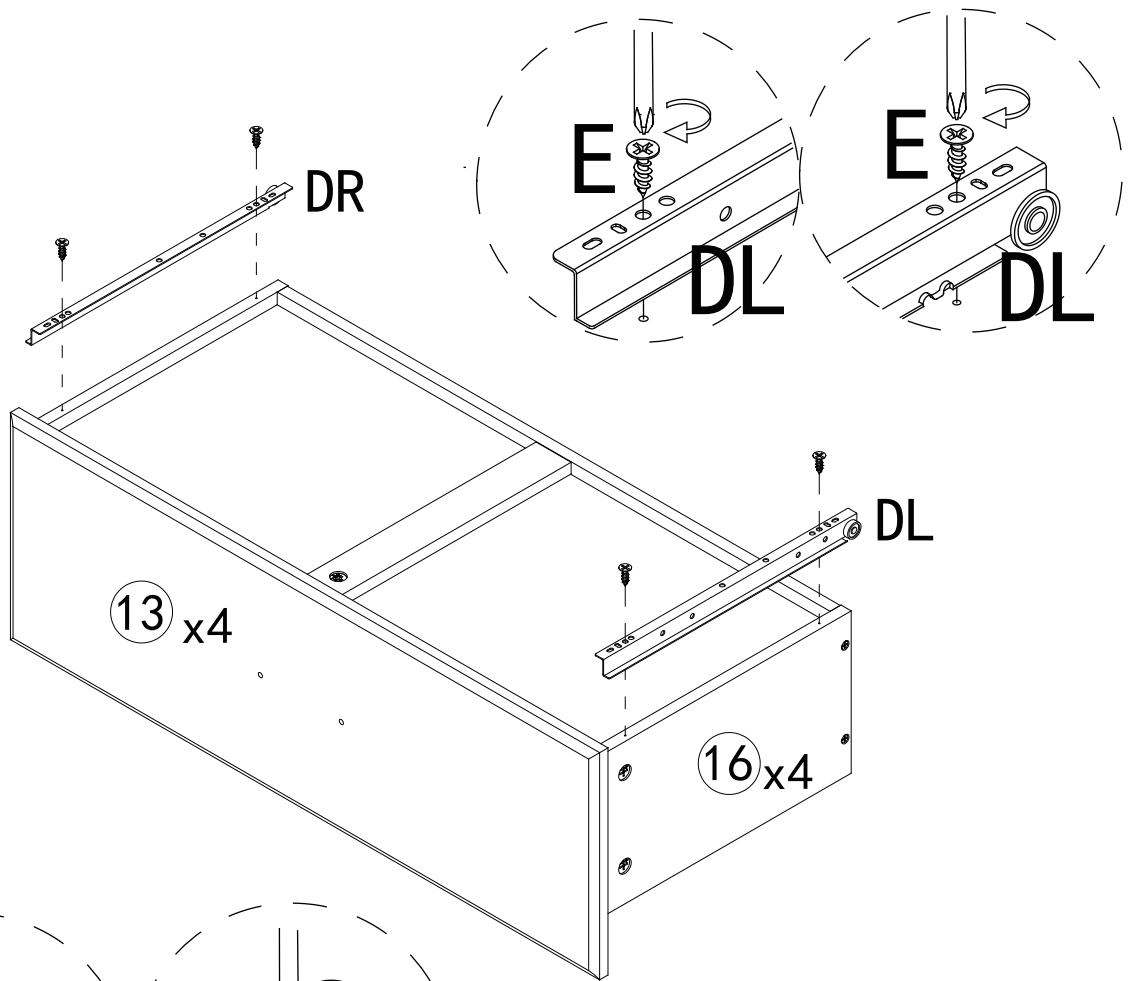





B



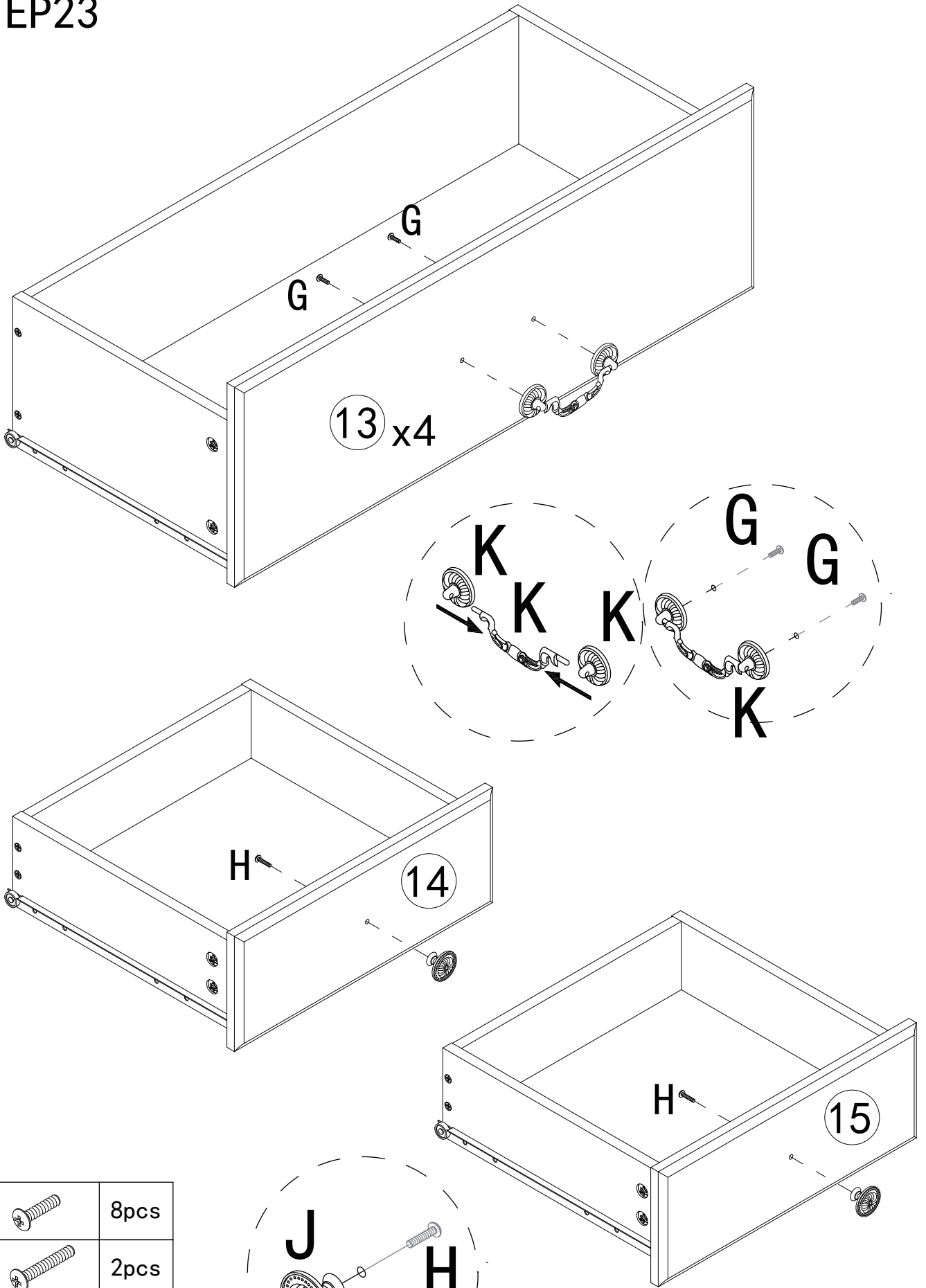
28pcs


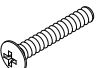


STEP22



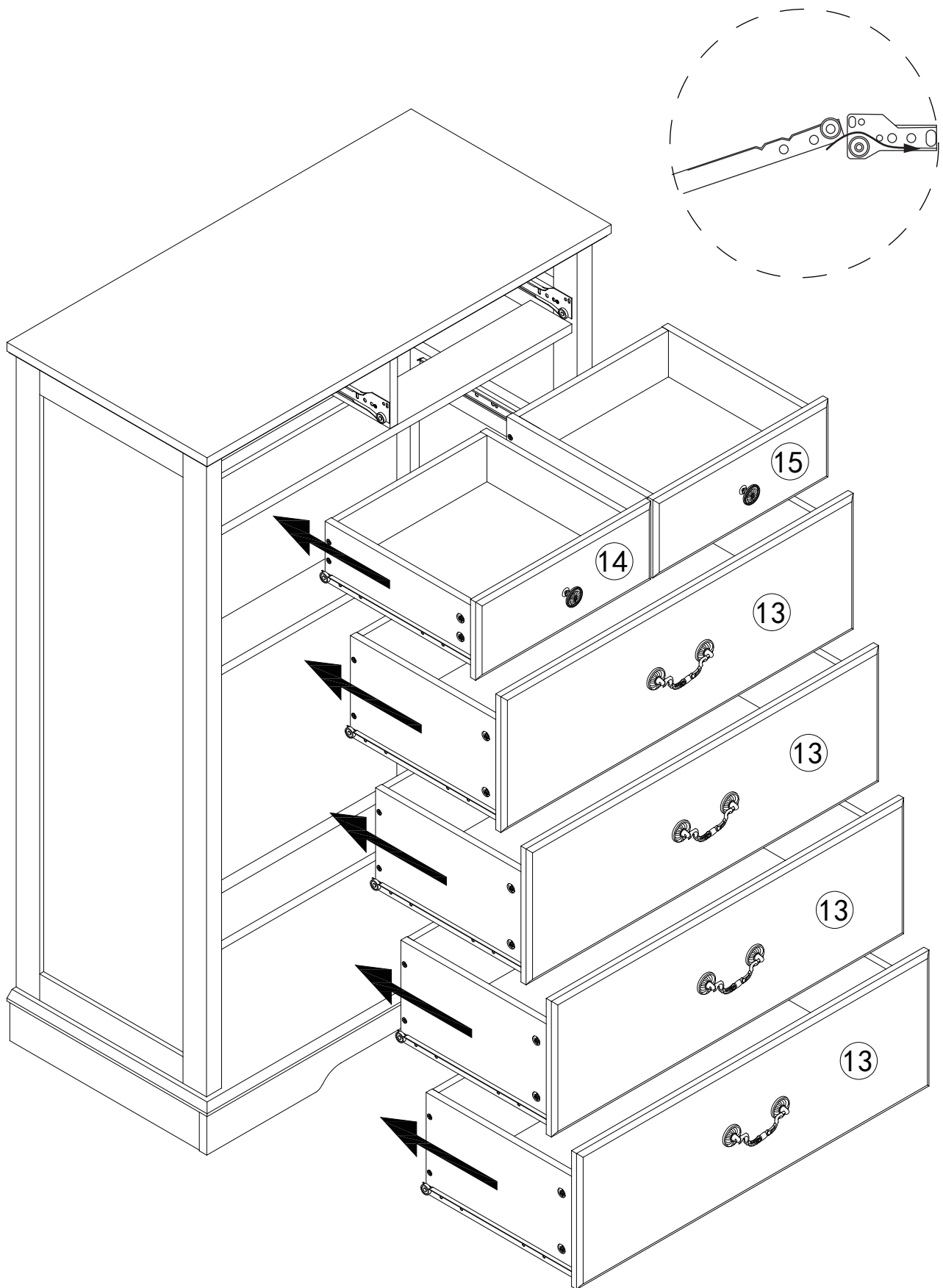
E		24pcs
DR		6pcs
		

STEP23



G		8pcs
H		2pcs
J		2pcs
K		4pcs

STEP24



Note: When moving the cabinet, please lift it vertically off the ground. Dragging may cause loose connectors, affecting stability and service life.