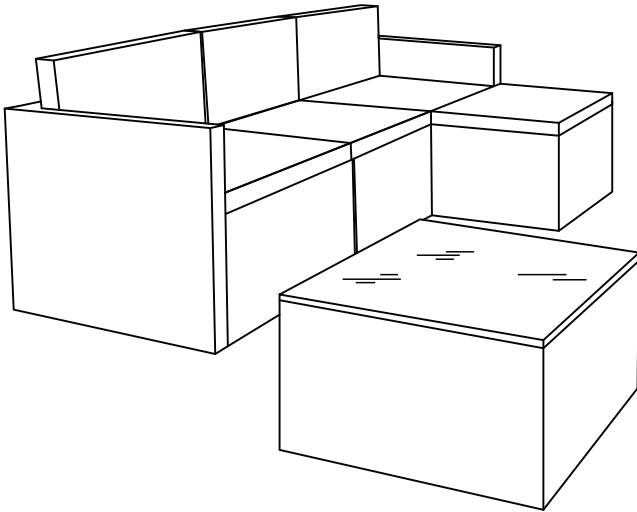


Instruction manual
202cm x 136cm Corner Sofa Set



CONTENTS

Safety and care advice	1
Components	2
Assembly instructions	4
Copyright	13

⚠ SAFETY AND CARE ADVICE ⚠

PLEASE READ THESE INSTRUCTIONS CAREFULLY AND KEEP FOR FUTURE REFERENCE

- **Warning:** Please lift with care.
- Check you have all the components and tools listed on pages 2 and 3.
- Remove all fittings from the plastic bags and separate them into their groups.
- Keep children and animals away from the work area, small parts could choke if swallowed.
- Make sure you have enough space to lay out the parts before starting.
- Do not stand or put weight on the product, this could cause damage.
- Assemble the item as close to its final position (in the same room) as possible.

- Assemble on a soft level surface to avoid damaging the unit or your floor (use opened out unit carton).



- We do not recommend the use of power drill/drivers **for inserting screws**, as this could damage the unit. Only use hand screwdrivers.
- Dispose of all packaging carefully and responsibly.

CARE AND MAINTENANCE

- Only clean using a damp cloth and mild detergent, do not use bleach or abrasive cleaners.
- From time to time check that there are no loose screws on this unit.

- This product should not be discarded with household waste. Take to your local authority waste disposal center.

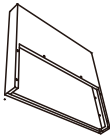
Note *If required the next page can be cut out and used as reference throughout the assembly. Keep this page with these instructions for future reference.*

COMPONENTS

Ensure the following components are in the box before proceeding with assembly:



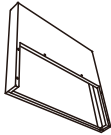
1 x1



2 x1



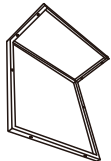
3 x1



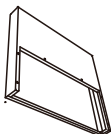
4 x4



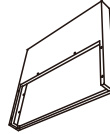
5 x1



6 x1



7 x1



8 x1



9 x1



10 x2



11 x2

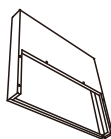


COMPONENTS

12x1



19x1



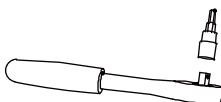
13 x2



20x1



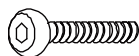
Ax1



14 x2

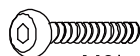


B x48



M6*35

C x8



M6*40

16 x3



D x56



17x1



E x20



18 x3



F x3






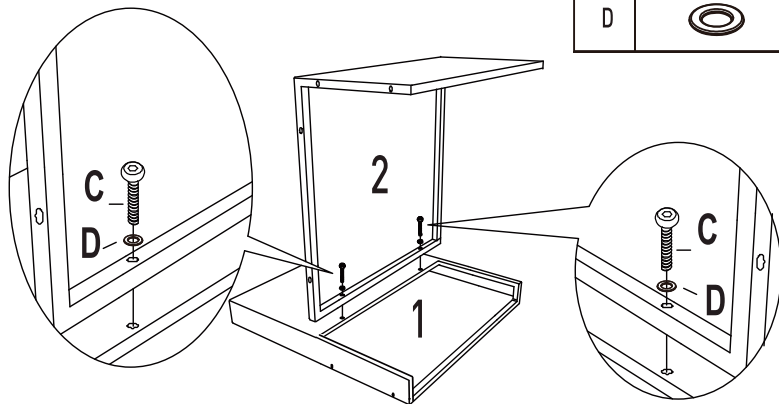
ASSEMBLY INSTRUCTIONS

Please note, When building this product bolts should be finger tightened until all parts are in place. Only once all parts and bolts are assembled should bolts them be fully tightened using the ratchet.

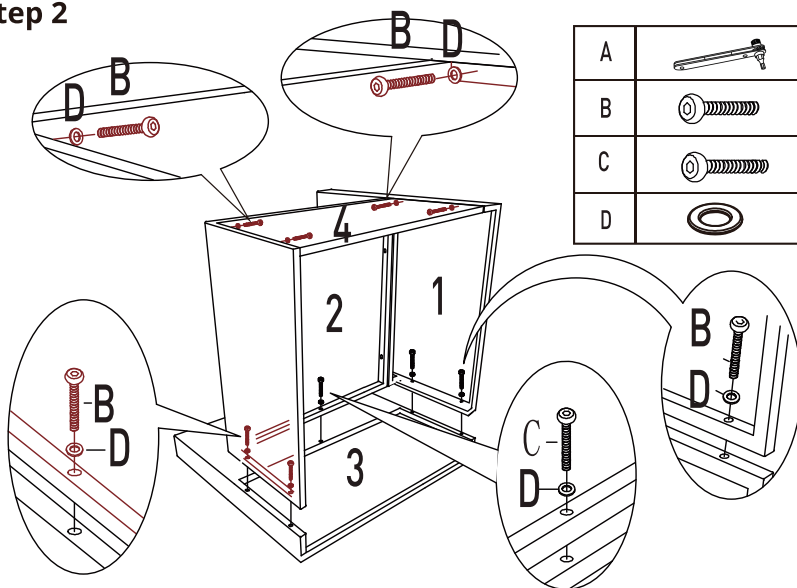
Step 1


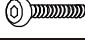
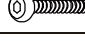

Right Side Sofa

A		1
C		2
D		2






Step 2

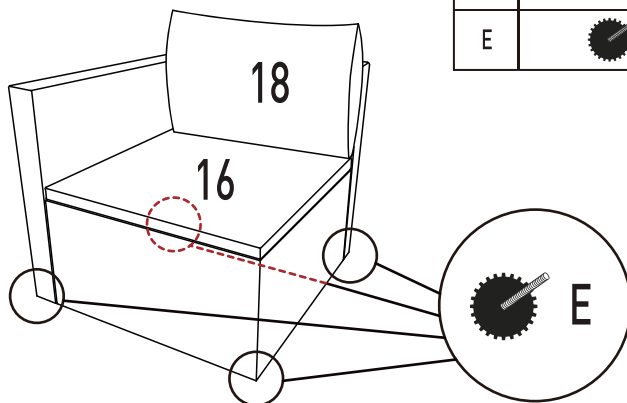


A		1
B		8
C		1
D		9

ASSEMBLY INSTRUCTIONS




Step 3

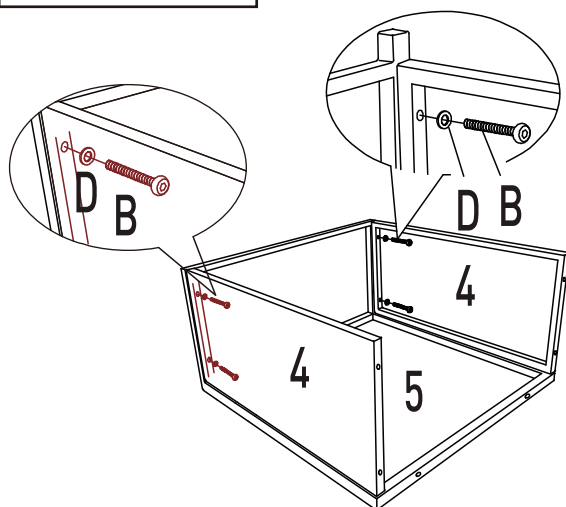
16		1
18		1
E		4



Step 4

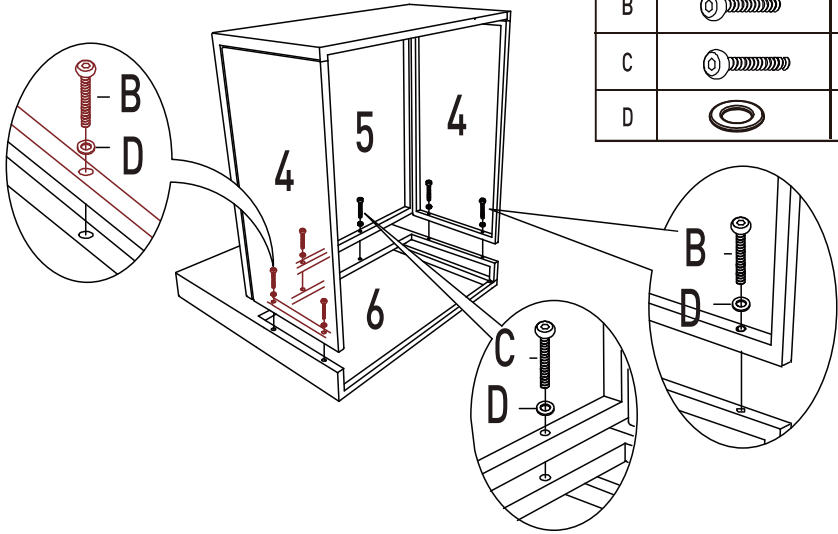
Rattan Center Sofa





A		1
B		4
D		4



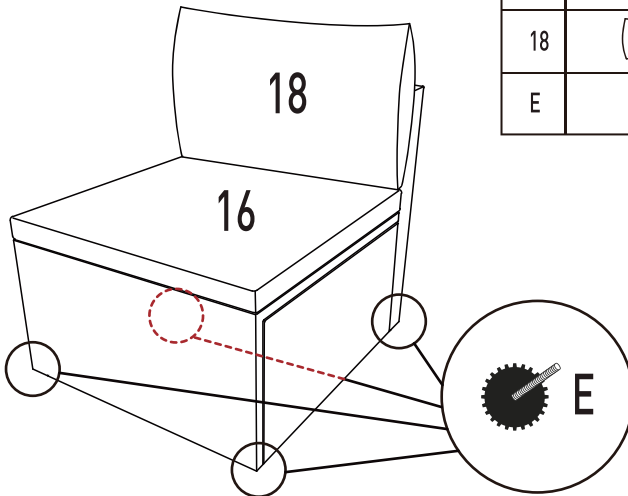
ASSEMBLY INSTRUCTIONS




Step 5



A		1
B		4
C		2
D		6

Step 6






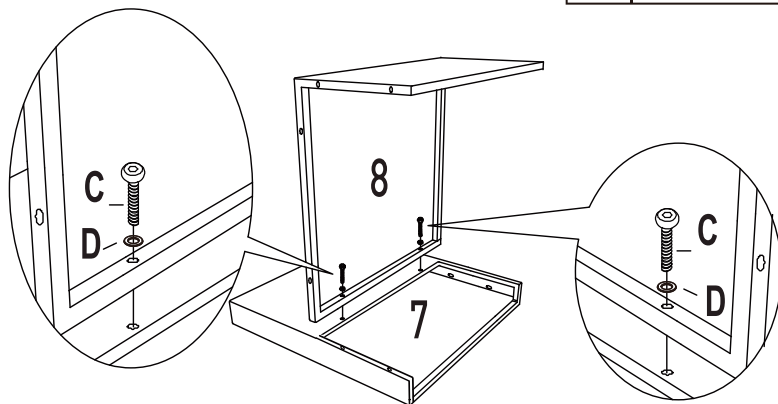
16		1
18		1
E		4

ASSEMBLY INSTRUCTIONS





Step 7

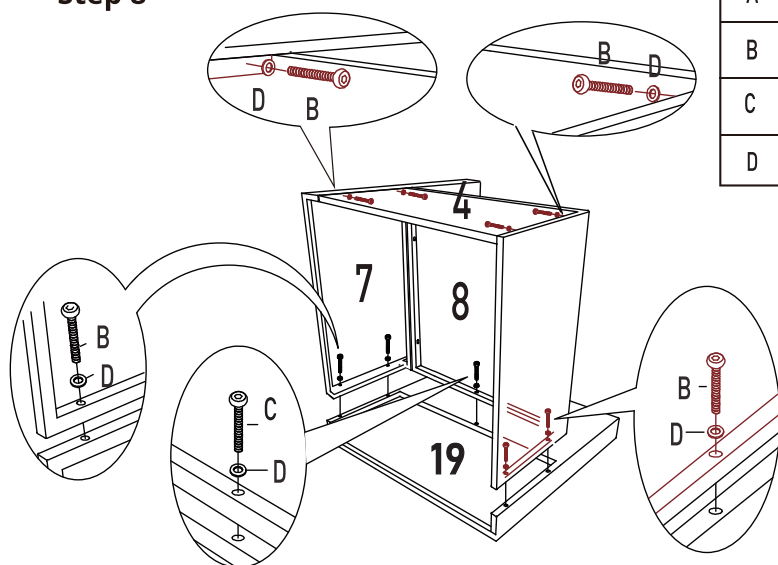
Left Side Sofa

A		1
C		2
D		2






Step 8

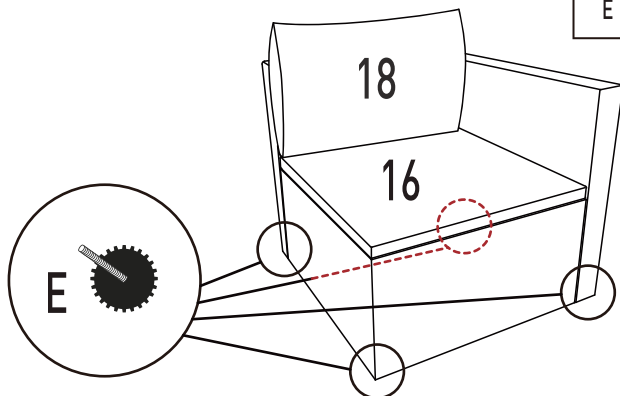
A		1
B		8
C		1
D		9



ASSEMBLY INSTRUCTIONS




Step 9

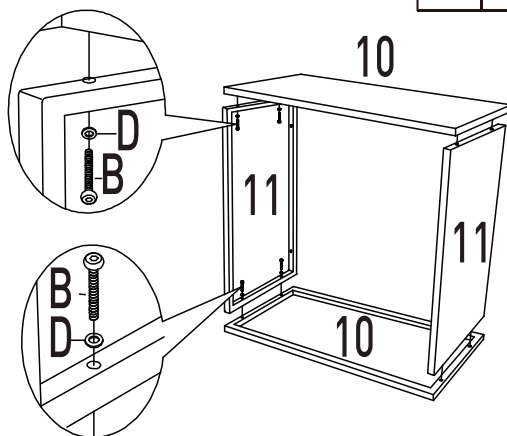
16		1
18		1
E		4



Step 10




Rattan Stool

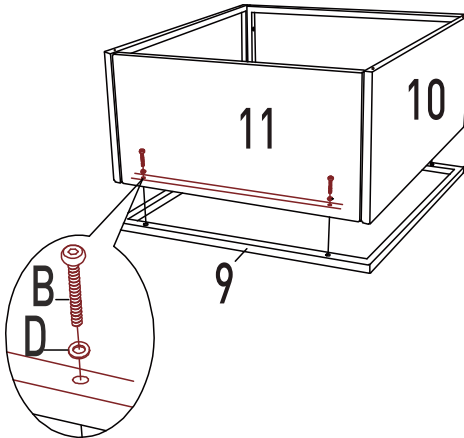
A		1
B		8
D		8





ASSEMBLY INSTRUCTIONS

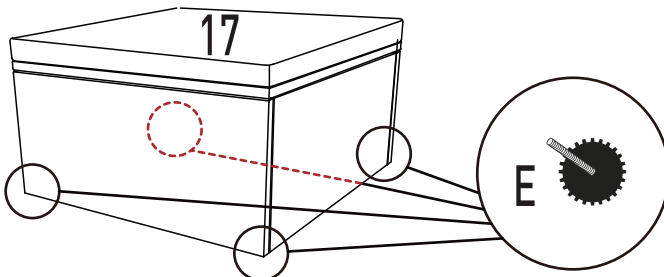
Step 11

A		1
B		4
D		4



Step 12




17		1
E		4

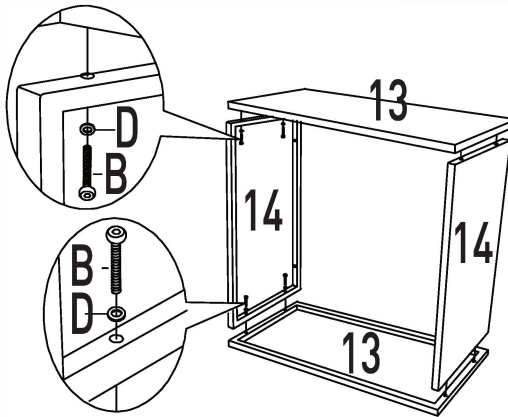


ASSEMBLY INSTRUCTIONS




Step 13

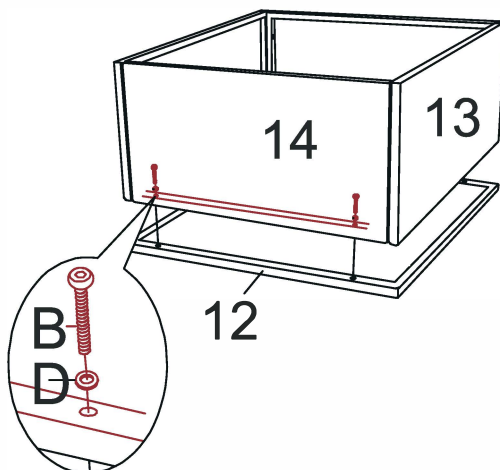
Rattan Center Table

A		1
B		8
D		8





Step 14

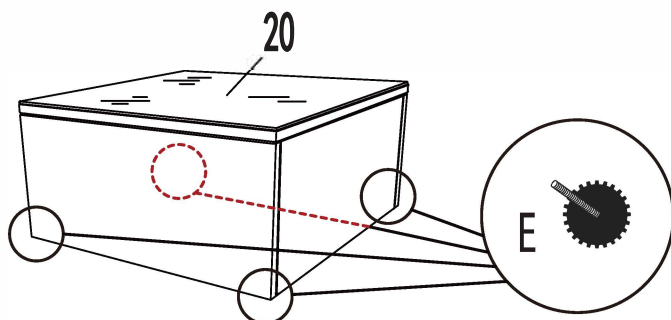
A		1
B		4
D		4



ASSEMBLY INSTRUCTIONS

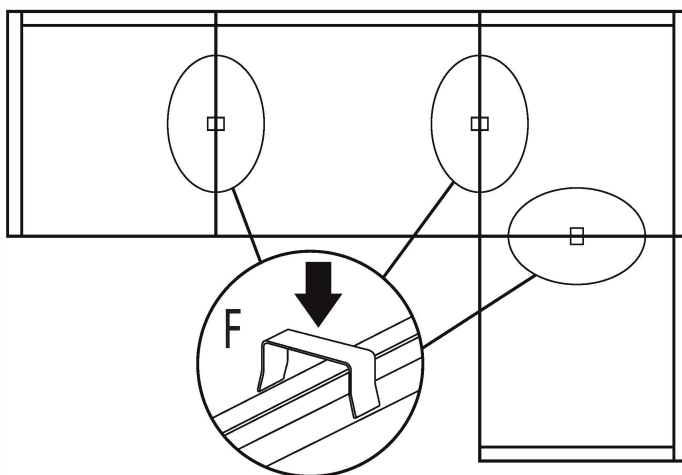
Step 15

20		1
E		4

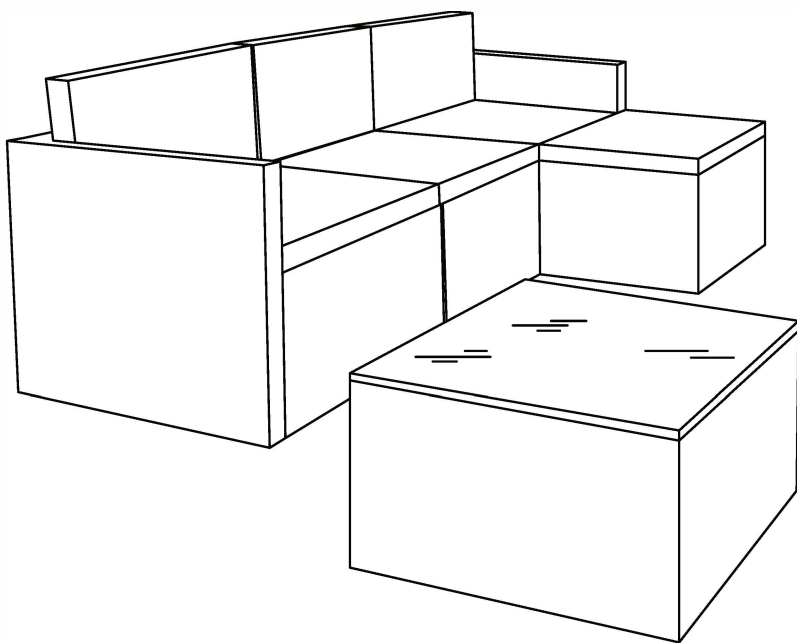


Step 16

F		3
---	---	---



ASSEMBLY INSTRUCTIONS



Congratulations! Now you have finished assembling the product.

IF YOU FIND A DEFECTIVE PART

We fully stock all parts and components. Any defective part can be quickly replaced. Take note of the defective part number in manual and we will arrange a replacement.

COPYRIGHT

Any unauthorised use may violate worldwide copyright, trademark and other laws.