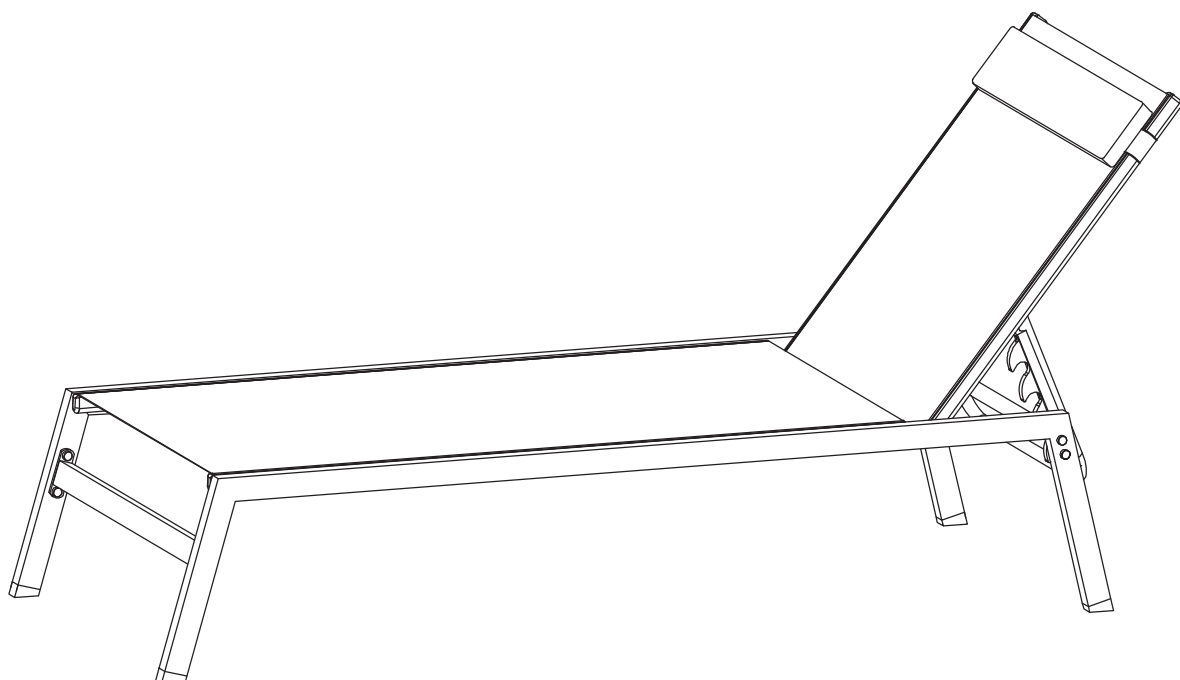


# OUTDOOR STEEL LOUNGE CHAIR

## ASSEMBLY INSTRUCTIONS



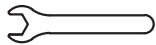
## ASSEMBLY INSTRUCTIONS

- Prior to assembly, make sure to lay out and identify all of the parts listed below in the parts list.
- Tighten all nuts and bolts securely. All bolts should be hand tightened before use. Never use power tools or excessive force during assembly and tightening of bolts.

### TOOLS REQUIRED:



ALLEN WRENCH

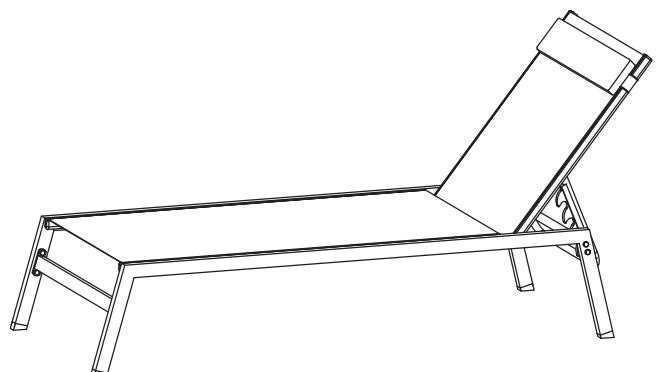


SCREWDRIVER

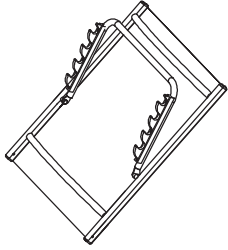
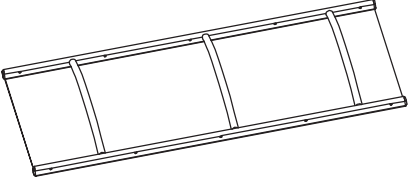
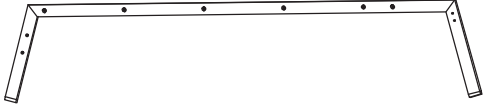
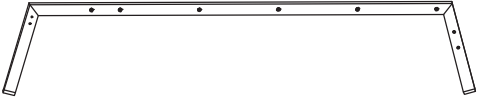

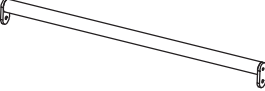
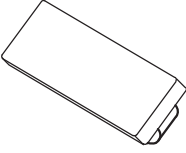


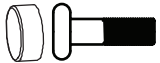



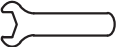
(PROVIDED)

### Warning:

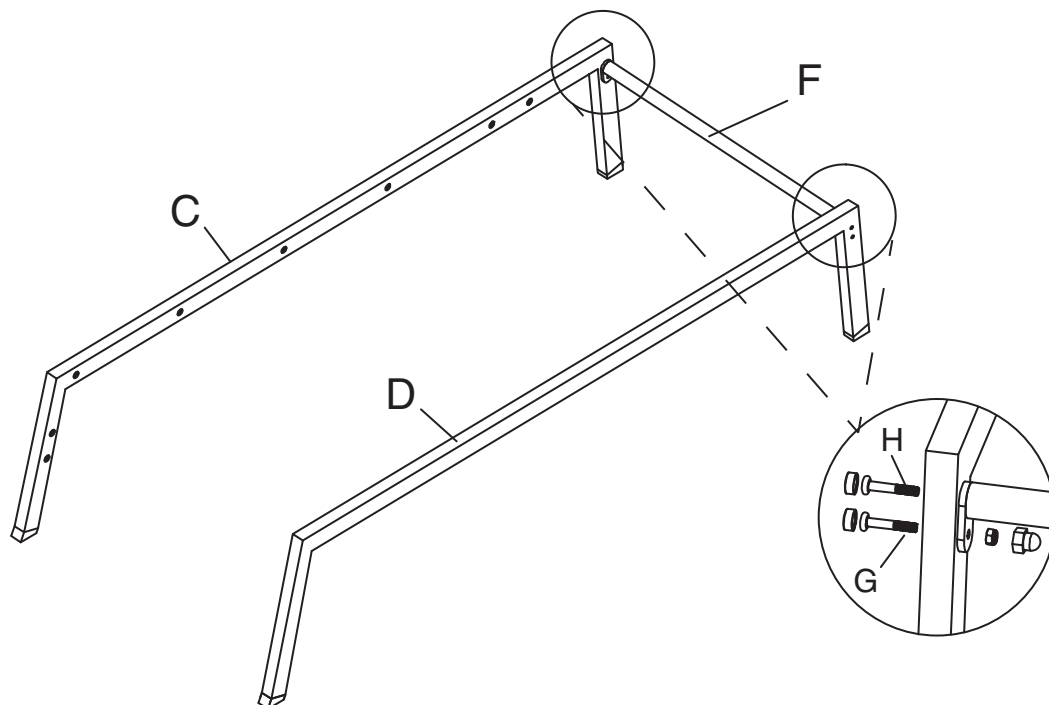
1. Do not exceed 360lbs weight limit.
2. Make sure the lounger is placed on a solid level surface.



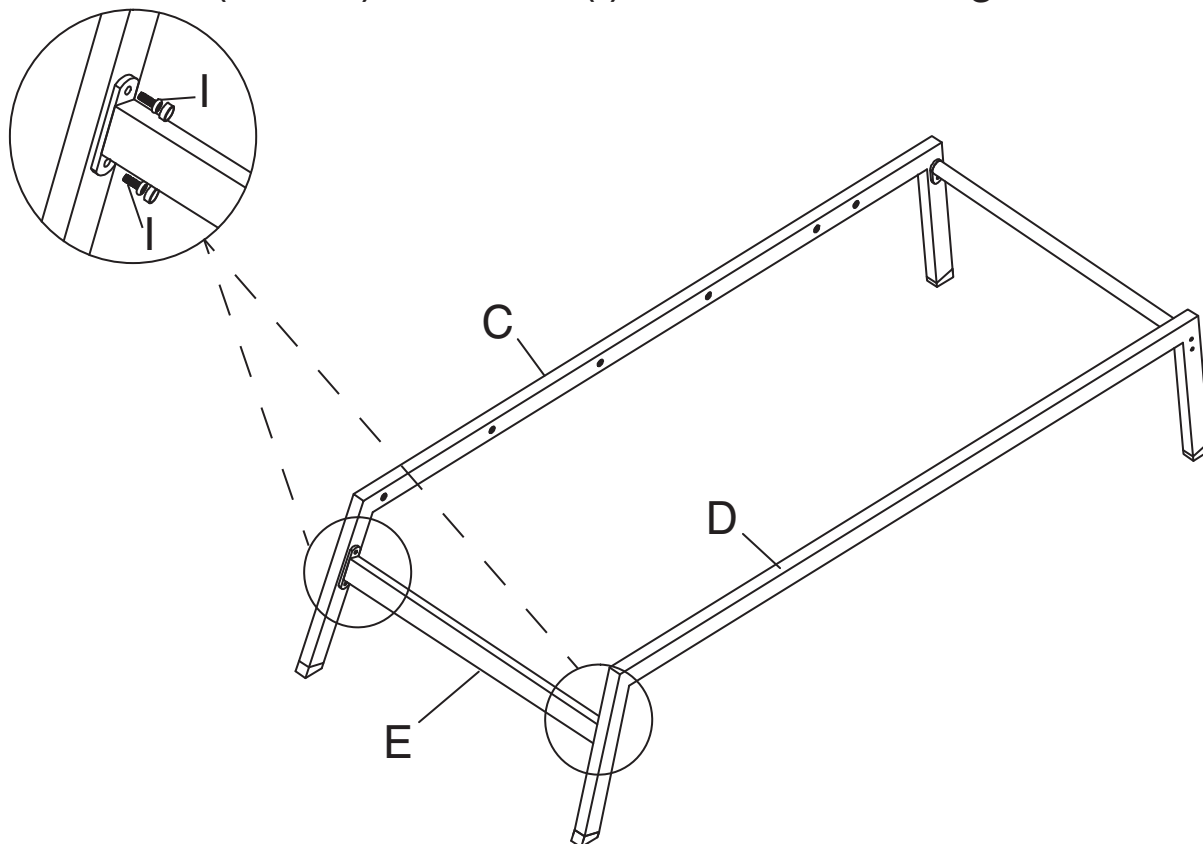
# Part list

<p><b>(A)</b> Back</p>  <p>2X</p>	<p><b>(B)</b> Main Seat Frame</p>  <p>2X</p>
<p><b>(C)</b> Left Leg</p>  <p>2X</p>	<p><b>(D)</b> Right Leg</p>  <p>2X</p>
<p><b>(E)</b> Support Bar</p>  <p>2X</p>	<p><b>(F)</b> Support Column</p>  <p>2X</p>
<p><b>(M)</b> Head Cushion</p>  <p>2X</p>	<p><b>(G)</b> Bolts</p>  <p>M6X30</p> <p>4X+1X</p>
<p><b>(H)</b> Bolts</p>  <p>M6X30</p> <p>4X+1X</p>	<p><b>(I)</b> Bolts</p>  <p>M6X16</p> <p>8X+2X</p>
<p><b>(J)</b> Bolts</p>  <p>M6X35</p> <p>24X+4X</p>	<p><b>(K)</b> Plastic Cylinder</p>  <p>4X+1X</p>
<p><b>(L)</b> Allen Wrench</p>  <p>1X</p>	<p>Screwdriver</p>  <p>1X</p>

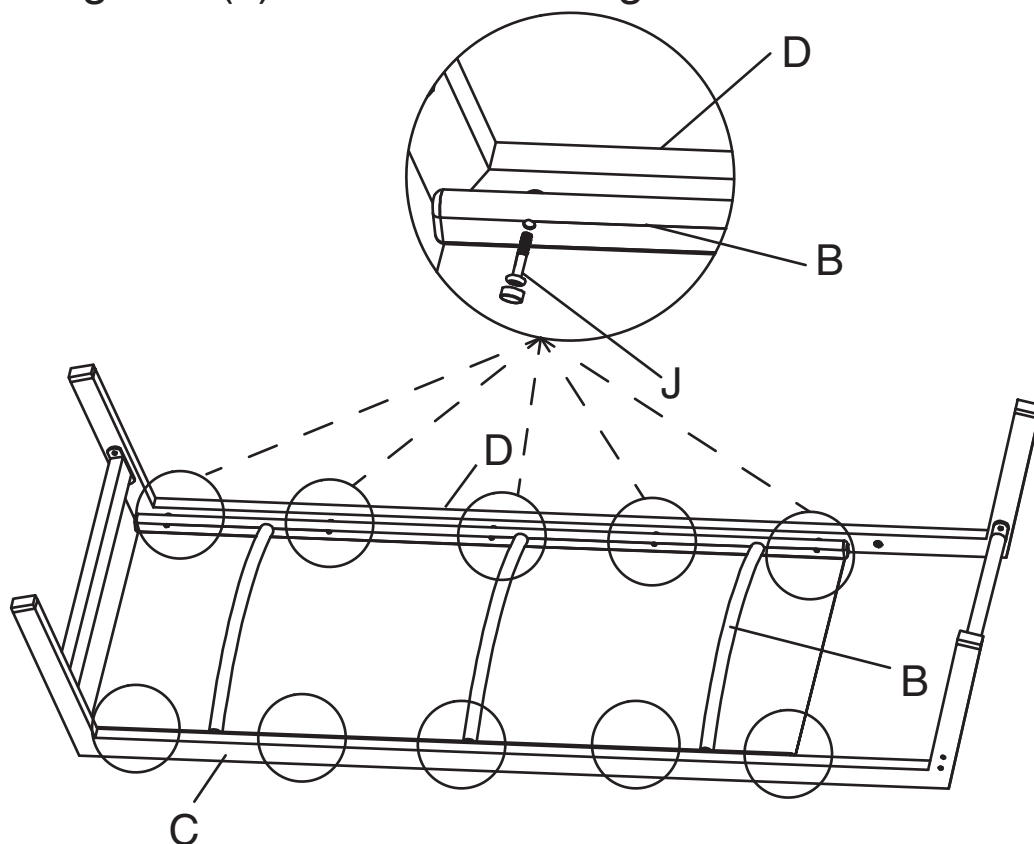
**STEP -1** Connect 2 Legs (Parts C & D ) using Support Column (Part F), and Bolt (H) and Bolt (G) as shown in diagram.



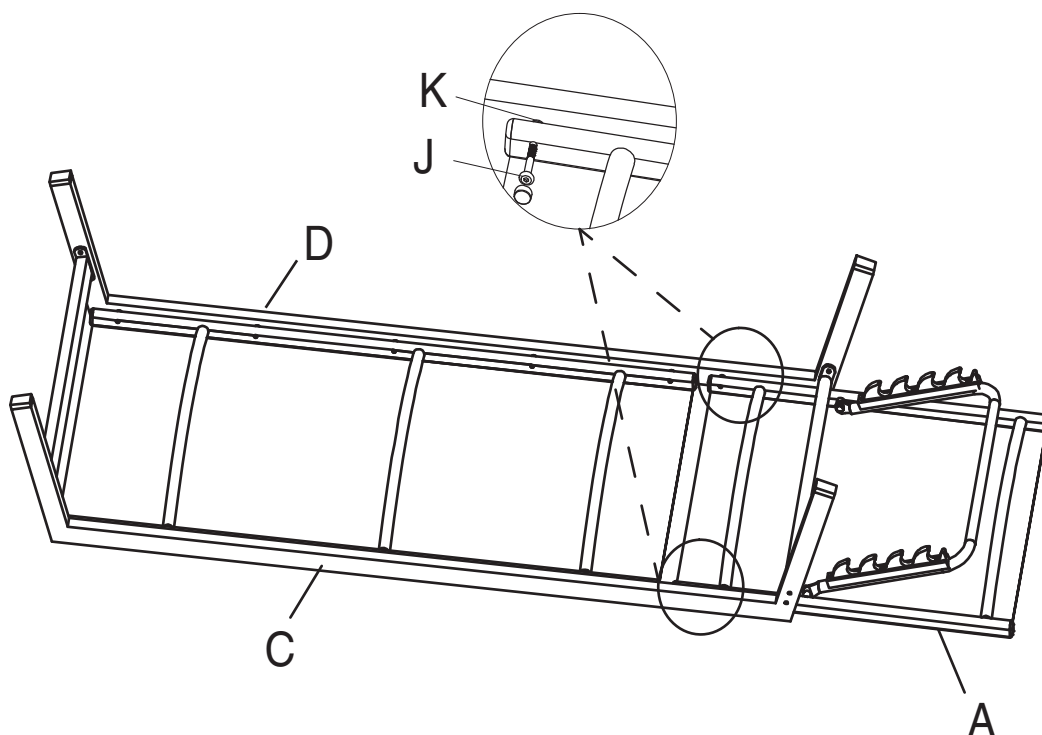
**STEP -2** Connect 2 Legs (Parts C & D ) using Support Bar (Part E) and Bolt (I) as shown in diagram.



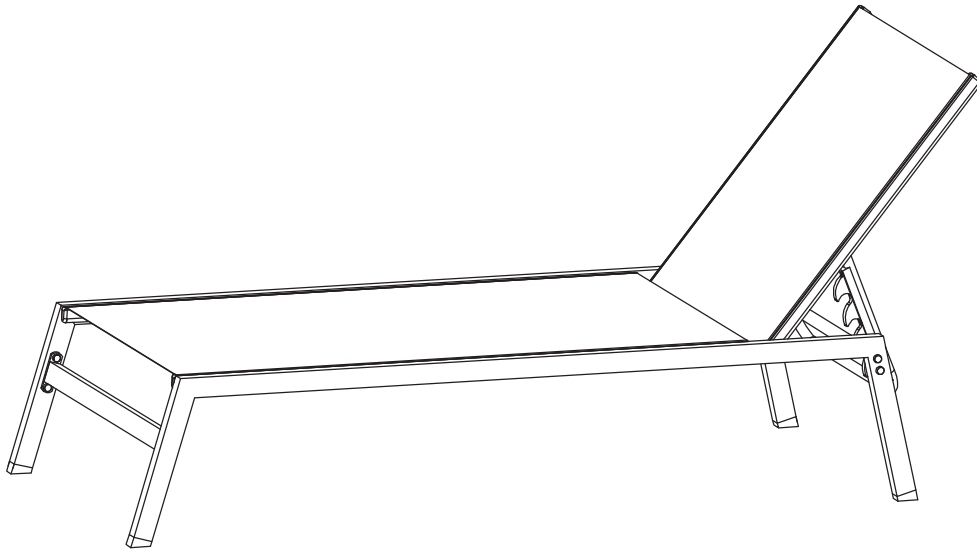
**STEP -3** Attach Main Seat Frame (Part B) to Legs (Part C & Part D) using Bolt (J) as shown in diagram.



**STEP -4** Link Back (Part A) to Legs (Part C & Part D) using Bolt(J) as shown in diagram..



STEP-5 Check to make sure all screws are fixed tightly before use.



STEP-6 Put the Head Cushion (Part M) on the Back as shown in diagram.

