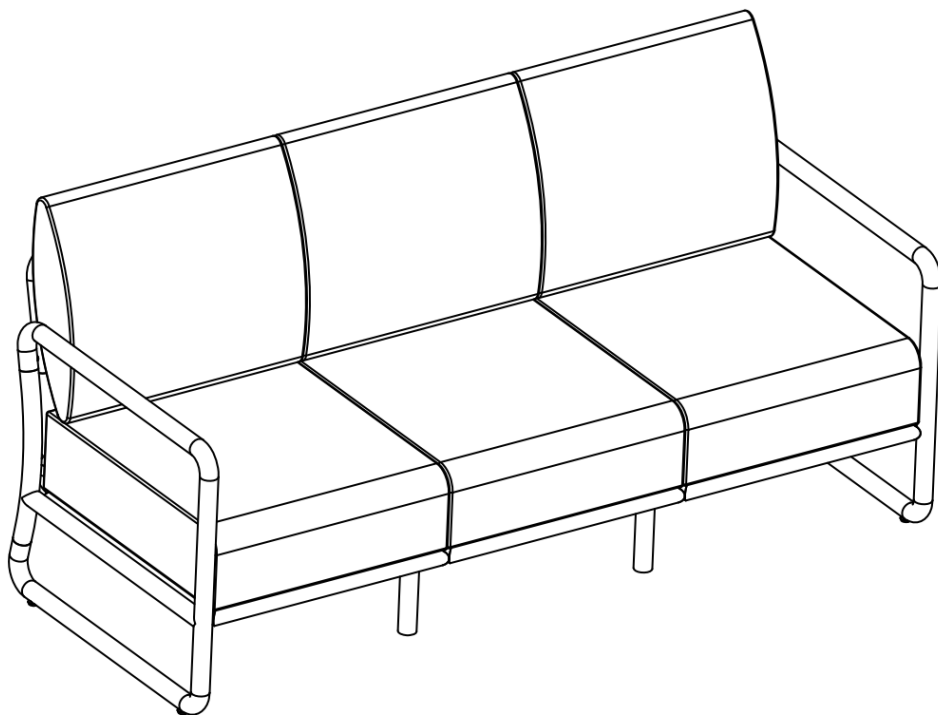


# Aluminum Outdoor **USE AND CARE GUIDE**

3-person sofa



## **IMPORTANT**

**PLEASE READ BEFORE YOUR COMMENCE ASSEMBLY**

---

Follow the guidelines in this user guide to ensure correct assembly and care for this product.

## **READ ALL INSTRUCTIONS BEFORE USE**

When using these furnishings, always follow basic precautions, including the following:

Read all instructions before using this set.

To reduce the risk of injury to persons:

- Do not use this set on soft ground.
- Do not stand or allow children to stand on the assembled chairs, sofa, ottoman or fire pit.
- After assembly, verify that all hardware connections are secure before putting the product into use.
- Improper installation, adjustment, alteration, service or maintenance can cause injury or property damage.
- Read all installation, operation, and maintenance instructions thoroughly before installing or servicing this equipment.

## **PLANNING ASSEMBLY**

Before beginning assembly, completely empty contents of carton and remove all packing material. Make sure all parts and hardware are present. If any parts are missing or any questions about damaged, please contact us in time, the after sales team will reply you in 24 hours.

**Note:** To more effectively drain the rainwater accumulated on the furniture surface, some metal frames are equipped with drain holes. During installation, one side of these drain holes should always face downwards.

















Please take photos of the SKU No, and WA label before opening the boxes. Once you find something is wrong, please send us the details with above photos. That can help us to solve the problem more quickly.

## PACKAGE CONTENTS: 1PC THREE-PERSON SOFA

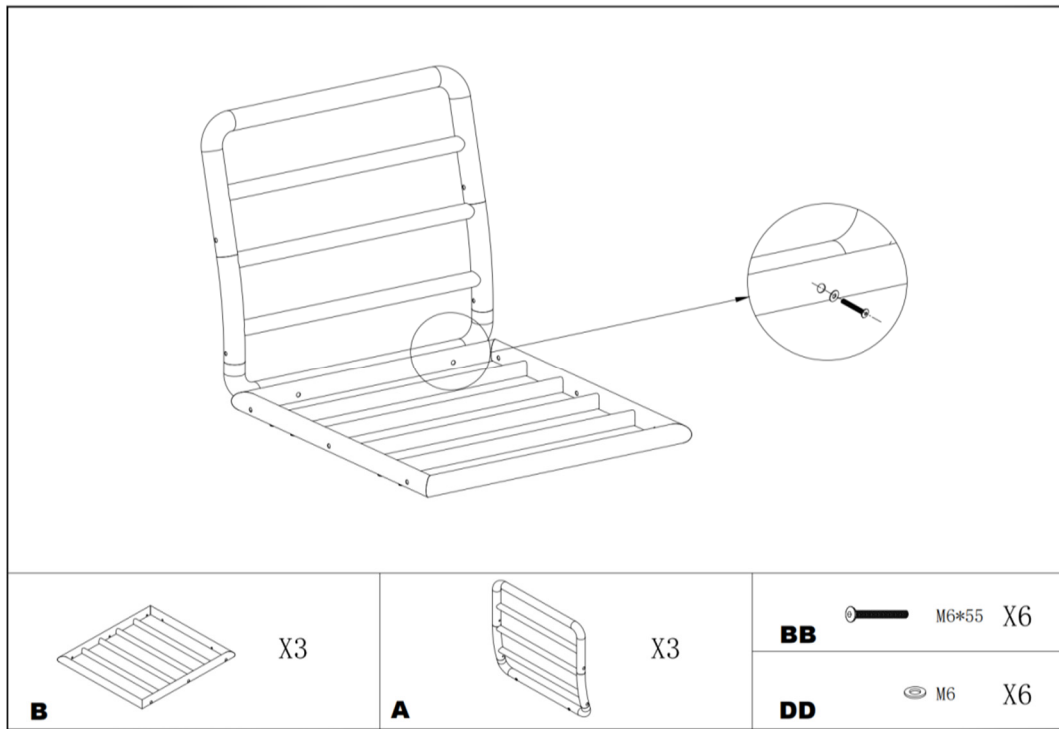
**NOTE:** Place all parts on a soft, nonabrasive, level surface for assembly, do not over-tighten hardware connections.

## THREE PERSON SOFA INSTALLATION STEPS:

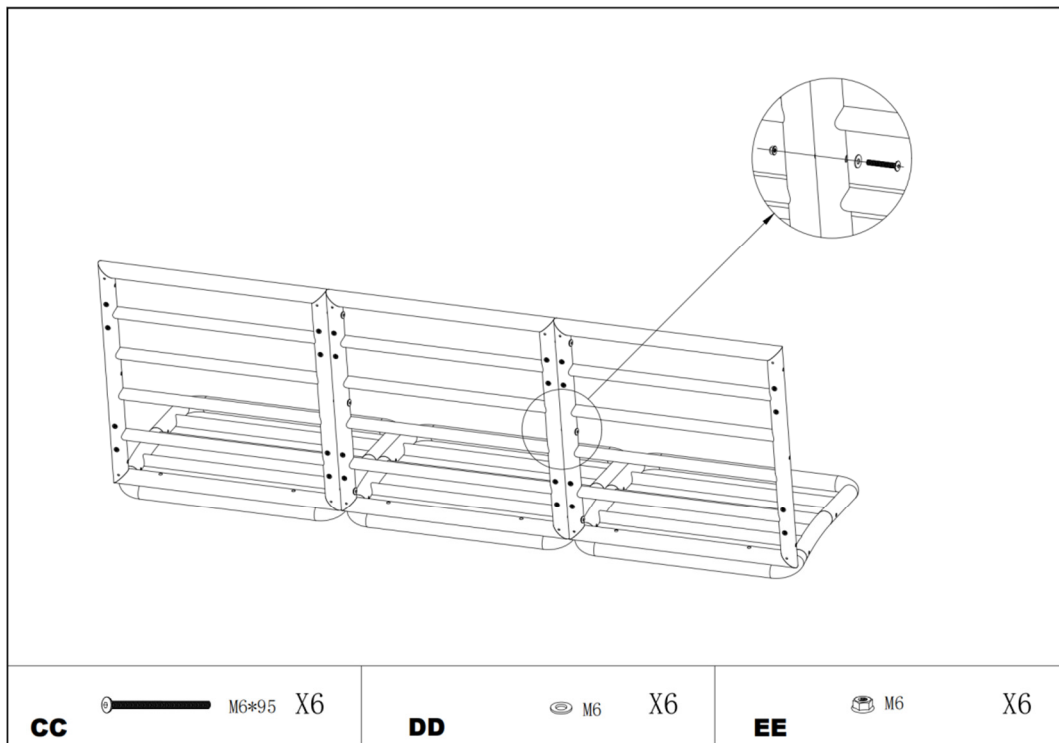
### PART LIST

Ref	PART NAME	DESCRIPTION	QTY(PC)	Ref	PART NAME	DESCRIPTION	QTY(PC)
A	Backrest		3	AA	M6x20		16
B	Base Plate		3	BB	M6x55		16
C1	Right Armrest		1	CC	M6x95		10
C2	Left Armrest		1	DD	M6		42
D	Back Cushions		3	EE	M6		10
E	Seat Cushions		3	FF	Screw Caps		42
F	Sofa Legs		4	GG	Wrench		1
G	Nut Caps		10	HH	Wrench		1

**STEP 1: Connect the base plate(B) to the sofa backrest(A).**

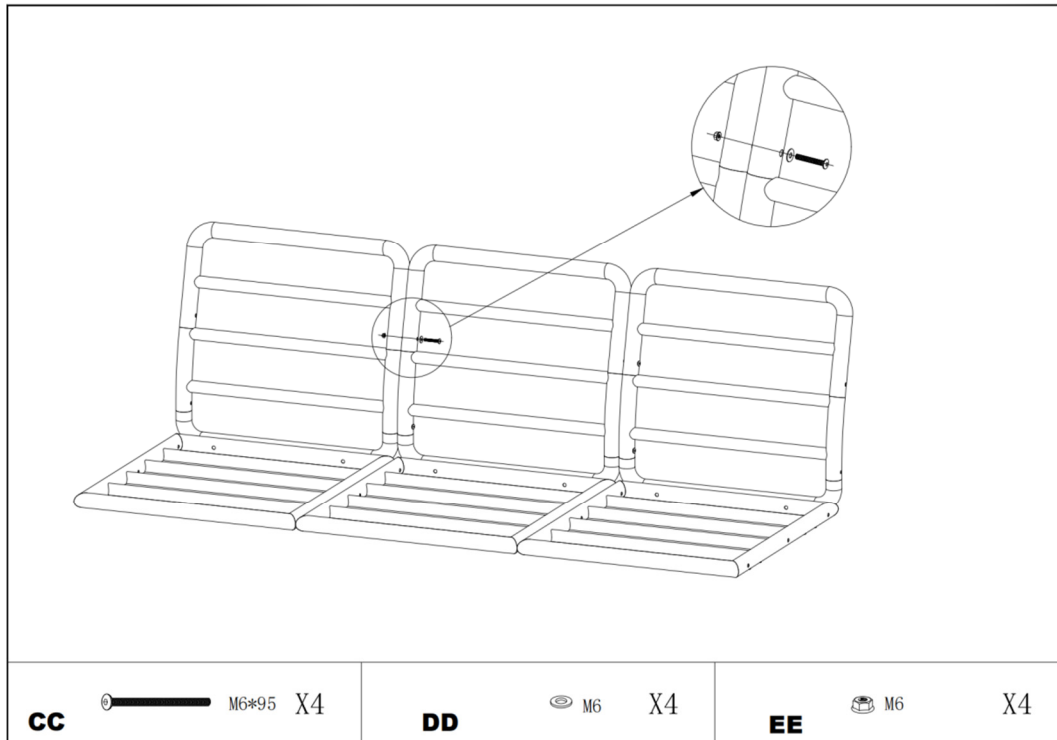


**STEP 2: Connect the sofa seat plates with screws (CC).**

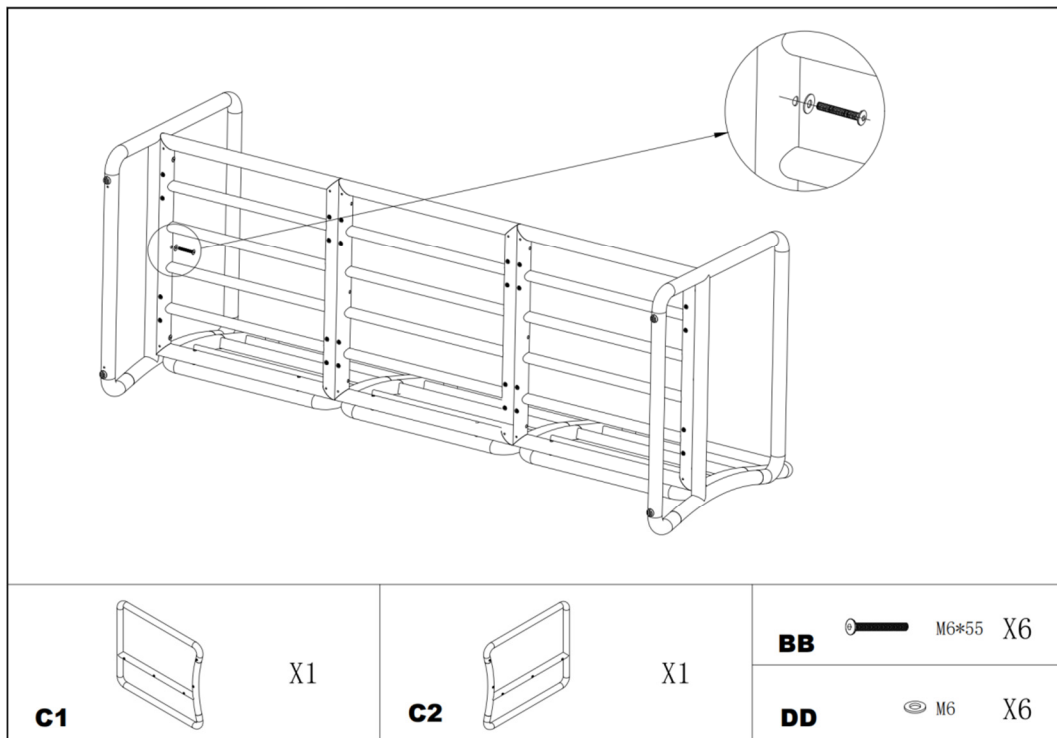


**STEP 3:** Connect the sofa backrests with screws (CC).

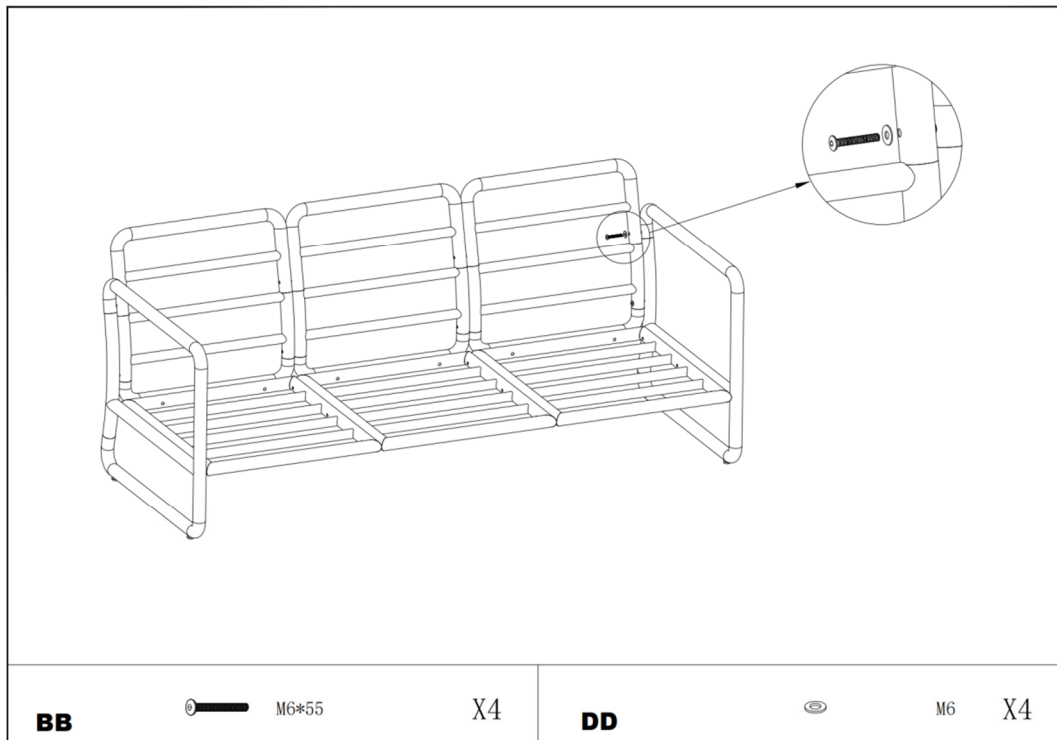
\*\*Do not tighten the screw all the way.



**STEP 4:** Connect the right & left armrest (C1, C2) to the base plate.

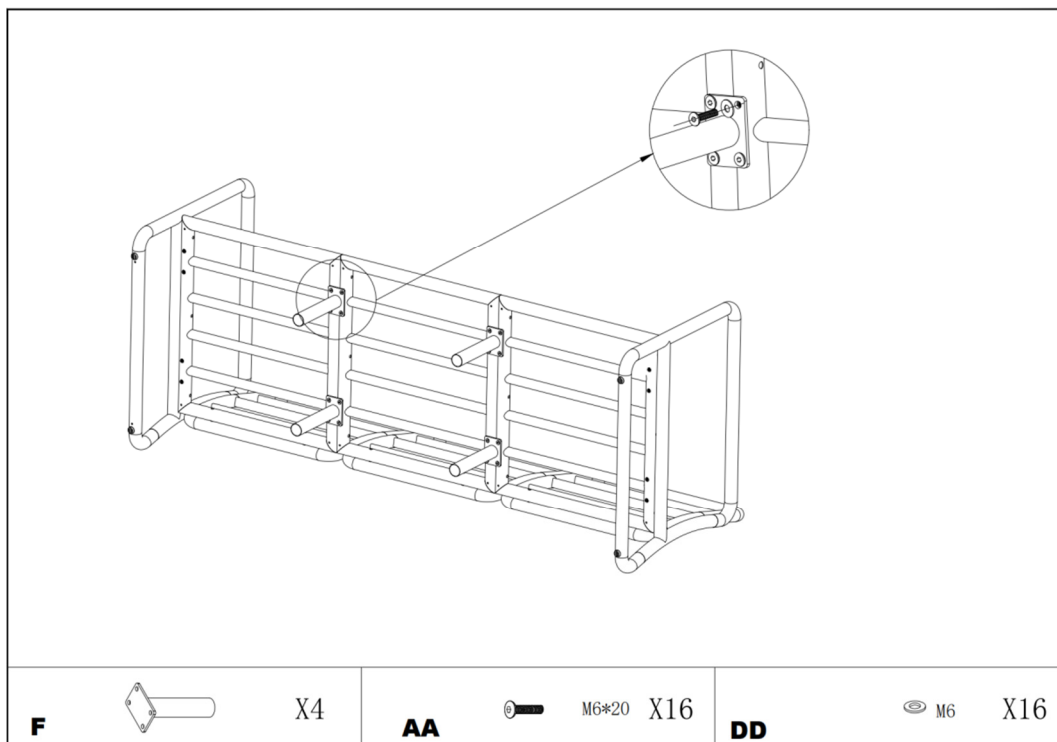


**STEP 5:** Connect the sofa armrest (C1, C2) to the backrest(A) with screws (BB).

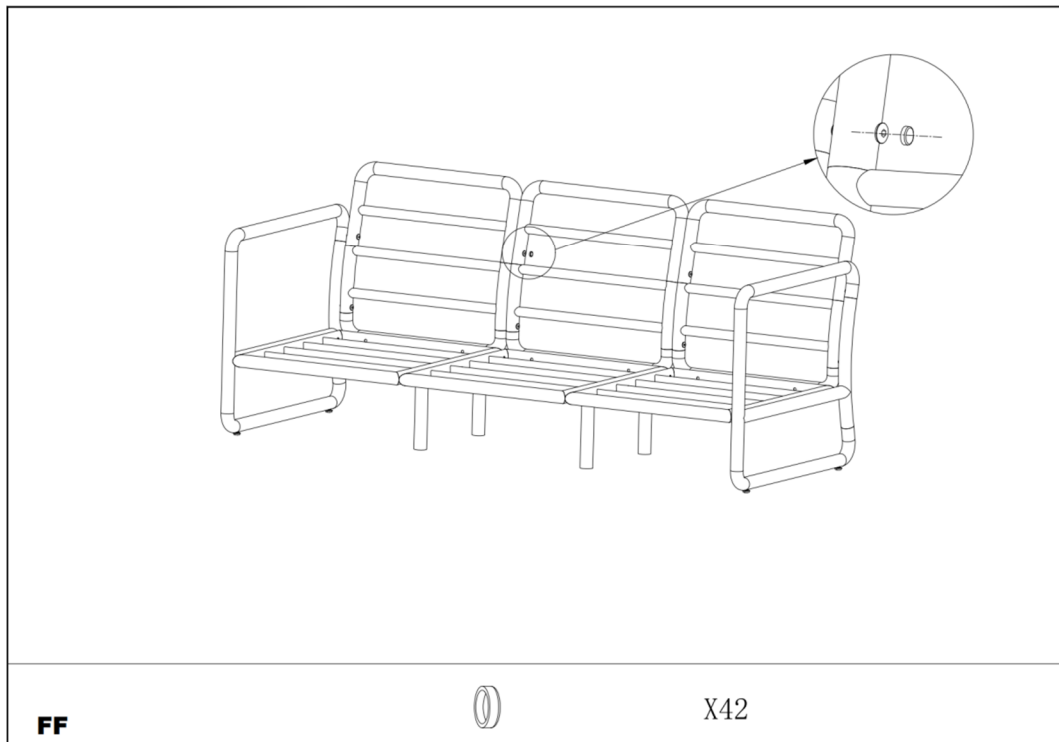


**STEP 6:** Attach the sofa legs(F) to the sofa base with screws (AA).

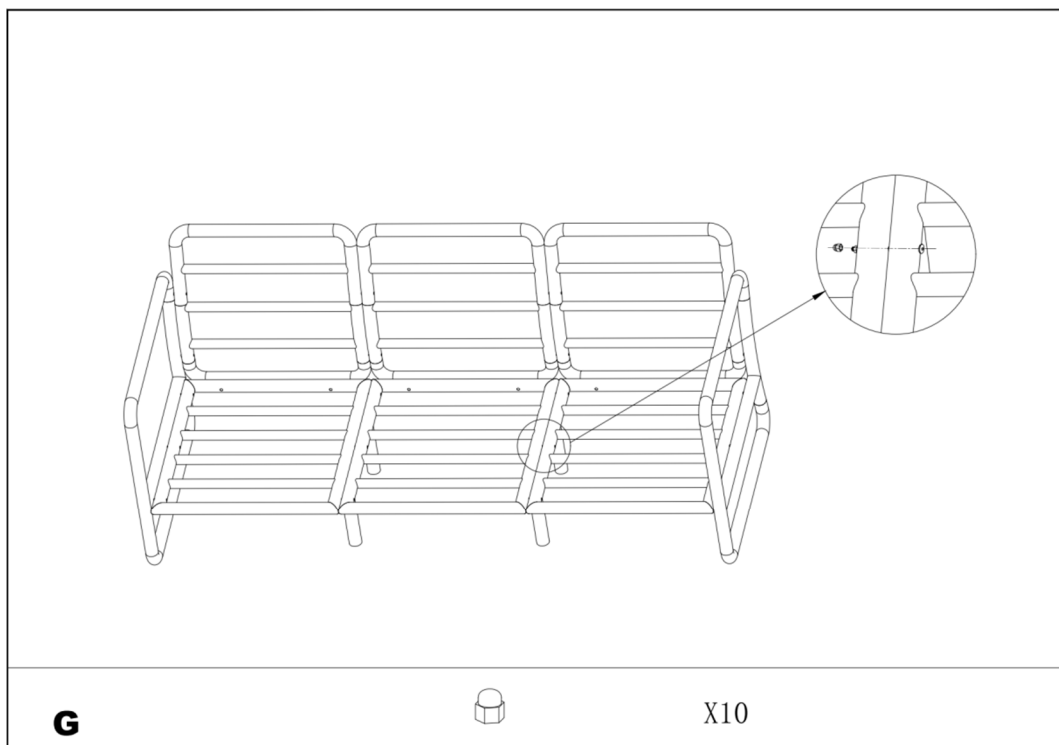
**\*\*Note:** please tighten all screws.



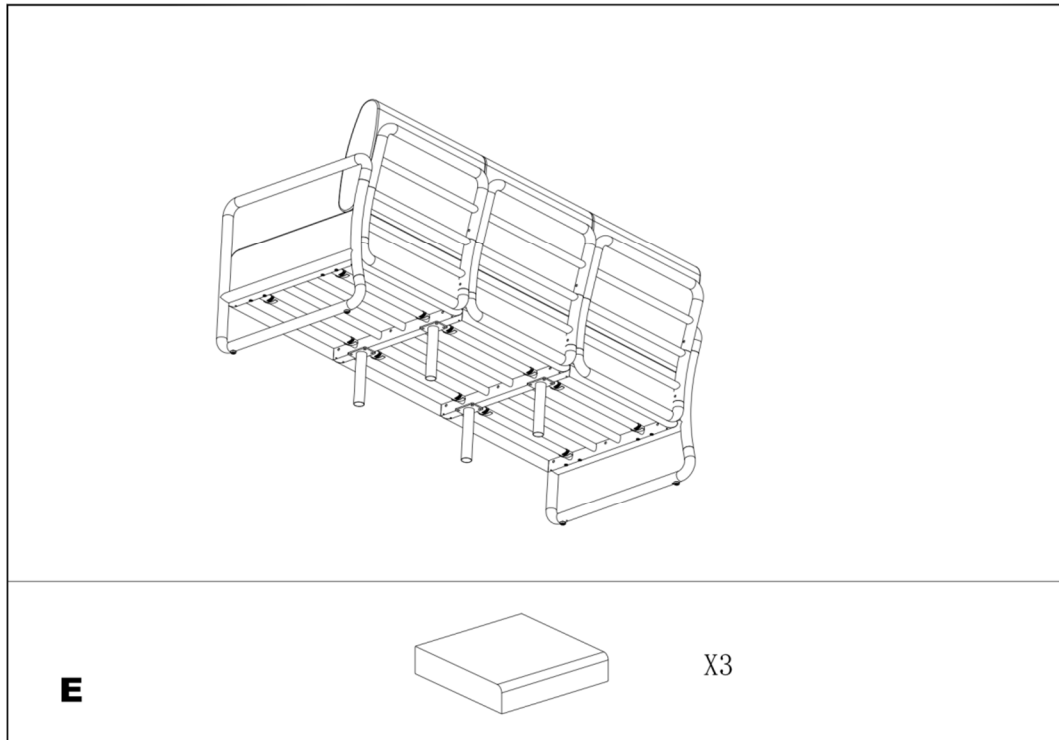
**STEP 7:** put screw caps (FF) on the screws.



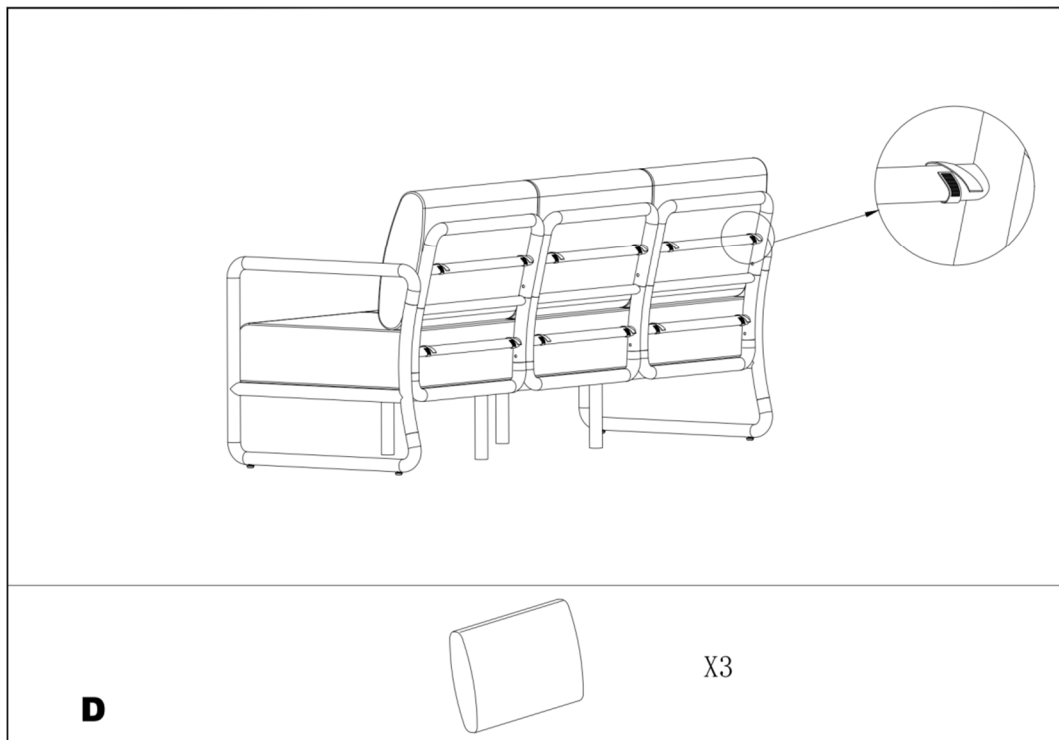
**STEP 8:** put nut caps(G) on the screws.



**STEP 9:** place the seat cushions(E).



**STEP 10:** place the back cushions(D).



**\*\*Assembly is complete and the sofa is ready for use.**



---

## **CLEANING&MAINTENANCE**

### **FRAME**

**Cleaning** - Use mild soap and warm water. Do not use abrasive materials, cleaners, or bleach products. Rinse with clean water and dry thoroughly.

**Maintenance** -Periodically clean and dry thoroughly. Be sure to drain any water accumulated inside the frames. To thoroughly drain frames, remove foot caps and tilt the frames, if necessary, to remove all water. This is critical. Water allowed to accumulate inside the frames and then exposed to sub-freezing temperatures can cause damage to the frame tubing. Such damage is not covered under warranty. Always clean, drain, and dry thoroughly before storing for the winter. For best results, always store or cover your furniture when not in use.

**\*\* When cleaning or moving large or heavy items, always have two people work together. Never drag furniture.**

### **FABRIC (CUSHIONS)**

Cleaning - Fabric should be cleaned regularly. Brush off any loose dirt and wash with a mild soap and lukewarm water solution. For stubborn stains and mildew, wash with a solution of 236.6 ml / 1 cup of bleach and 59.2 ml / 0.25 cup of mild soap per 3.79L / 1 gallon of water. Rinse thoroughly to remove soap. Allow fabric to air dry.

**Maintenance** - The best way to maintain the beauty of cushions and slings is to store them in a dry area and out of the elements when not in use, or cover with commercially available outdoor furniture covers.

### **CUSHIONS**

To ensure longevity of your patio set each seat cushion is made with high density foam. With initial use the seat cushions may feel firm, but with continued use the cushions will continue to soften and provide the ultimate comfort for seasons to come.

Cushions can become water saturated with heavy water exposure. To allow cushions to air-dry properly, follow the suggested steps:

- \* Unzip cushion cover to ventilate and facilitate the drying process. Do not remove cushion covers.
- \* Place cushions upright for faster drainage. Ventilation zipper should be facing down.
- \* Store cushions indoors during rainy seasons and inclement weather.