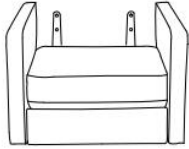
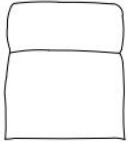






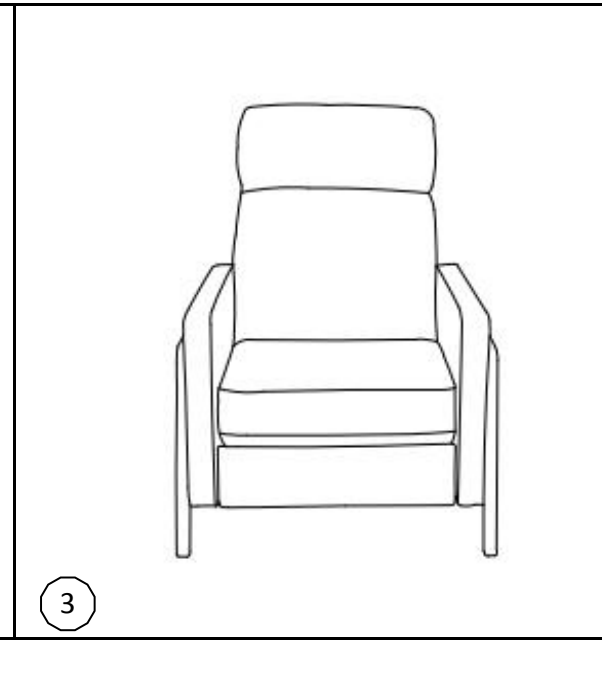
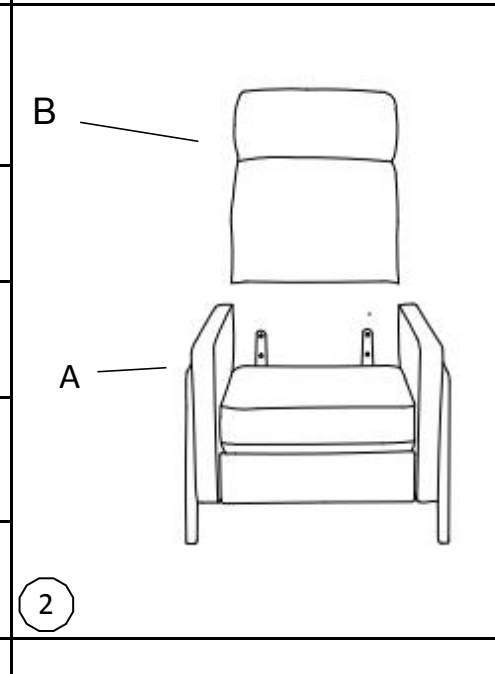
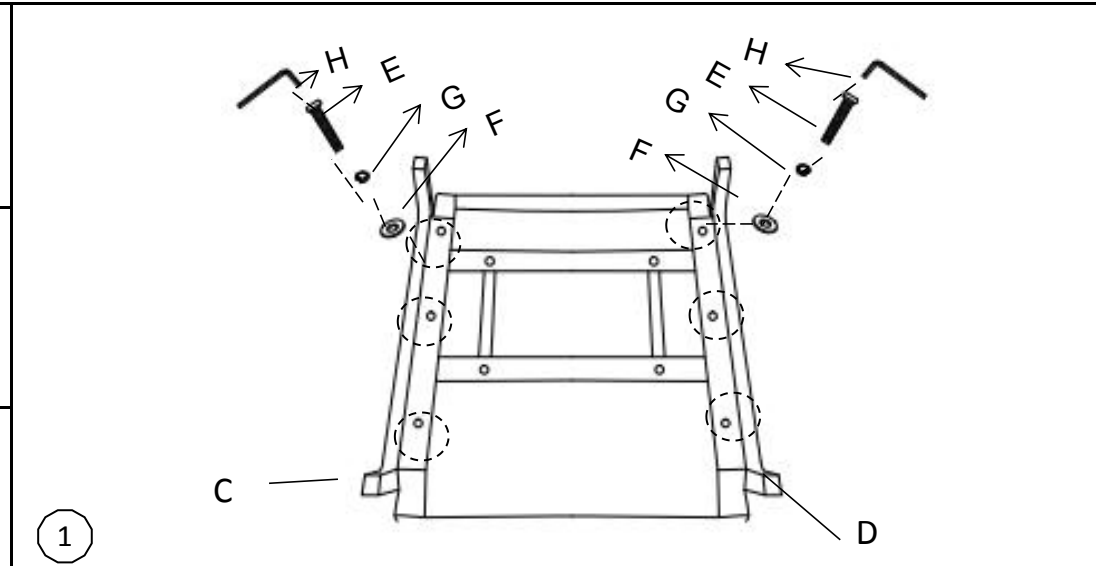


ASSEMBLY INSTRUCTIONS

PUSH BACK RECLINER

| | | |
|----------------------------|--|-------------|
| <p>A BODY</p> |  | <p>1PC</p> |
| <p>B BACK</p> |  | <p>1PC</p> |
| <p>C LEFT LEG</p> |  | <p>1PC</p> |
| <p>D RIGHT LEG</p> |  | <p>1PC</p> |
| <p>E Bolt</p> | <p>$\Phi 5/16" \times 2"$</p>  | <p>6PCS</p> |
| <p>F Flat washer</p> | <p>$\Phi 5/16" \times 16MM$</p>  | <p>6PCS</p> |
| <p>G Spring washer</p> | <p>$\Phi 5/16"$</p>  | <p>6PCS</p> |
| <p>H Allen Key</p> | <p>5MM</p>  | <p>1PC</p> |



NOTE: 1: MAXIMUM WEIGHT LIMIT 330LBS