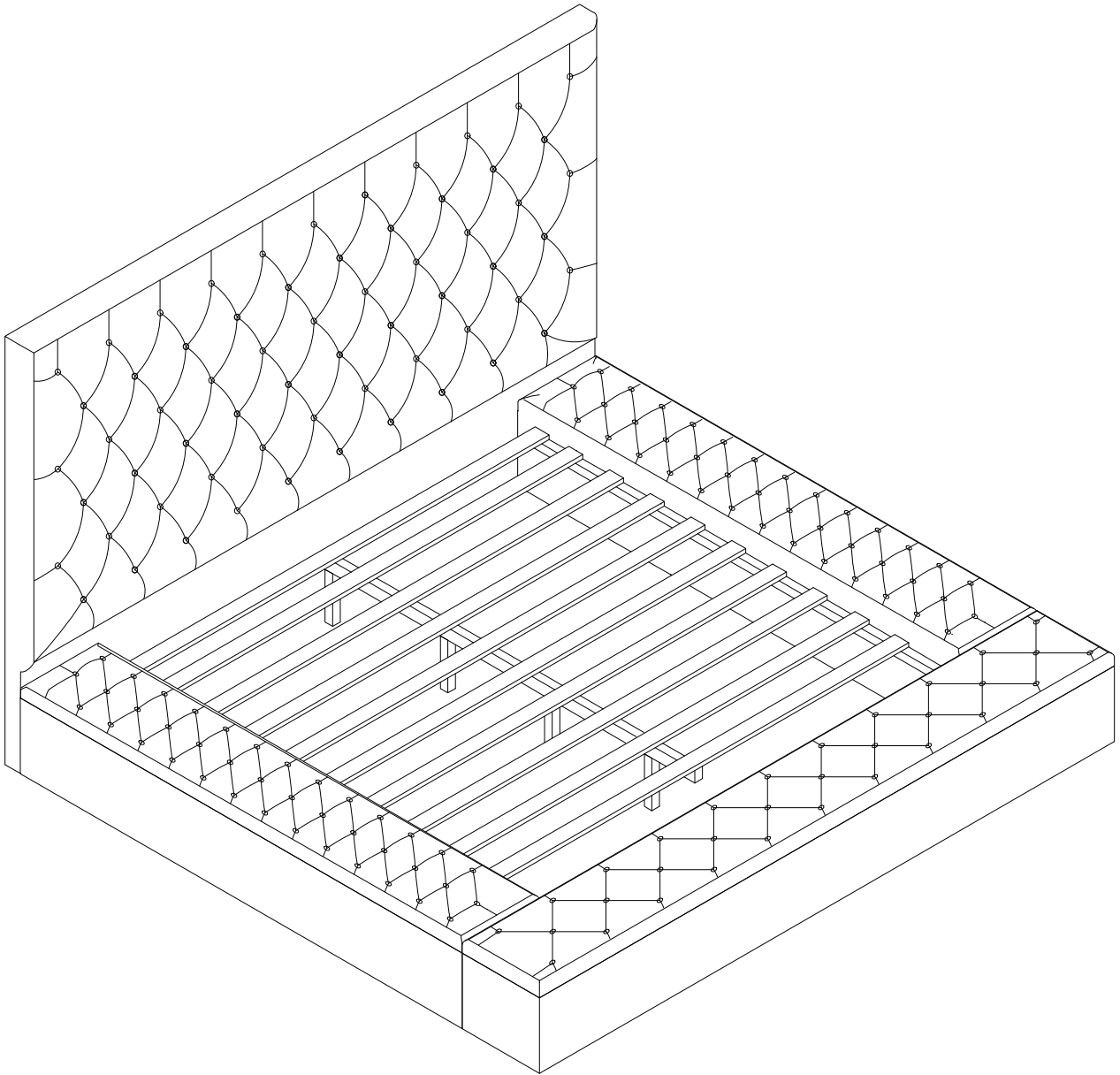
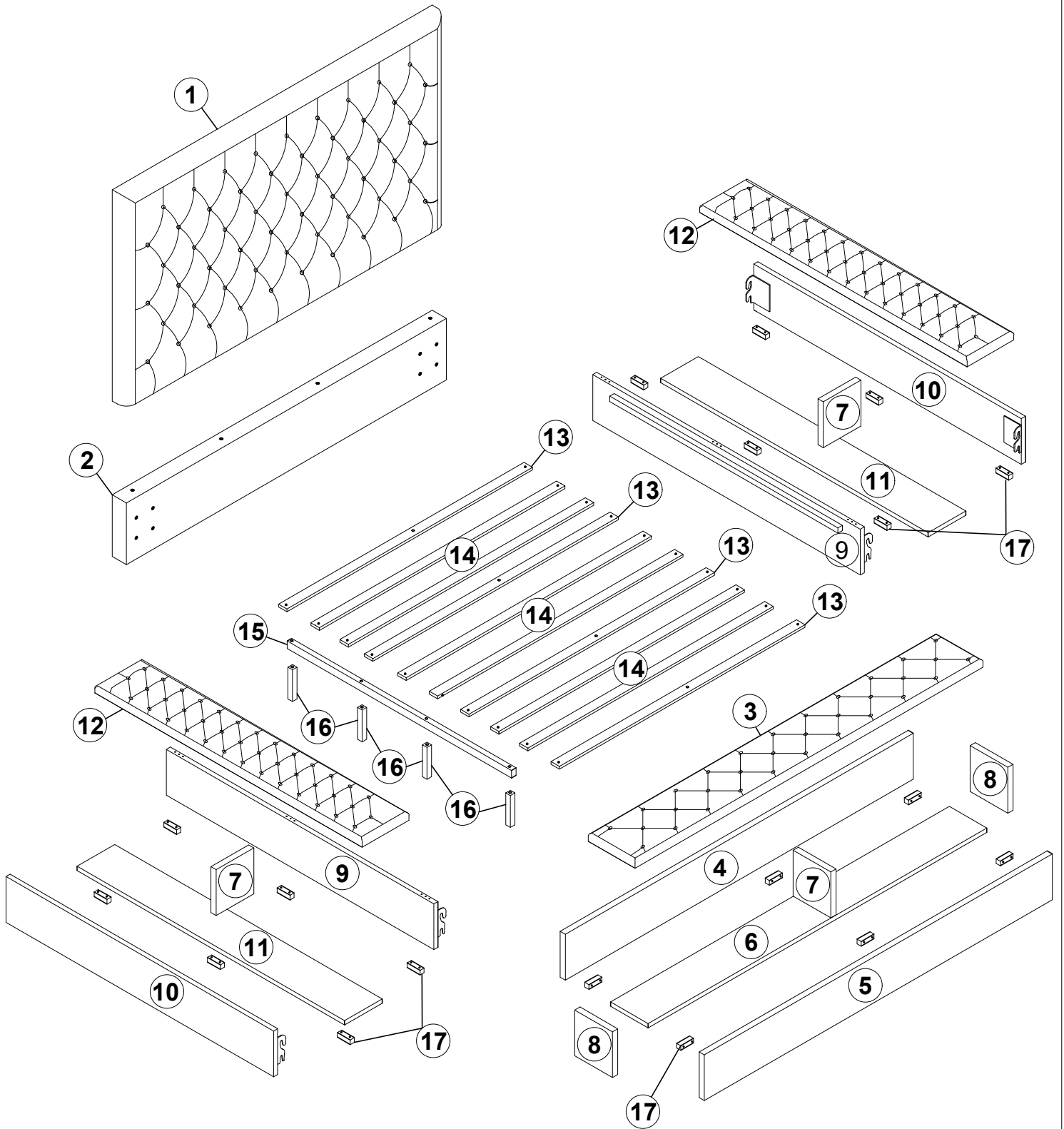


ASSEMBLY INSTRUCTIONS

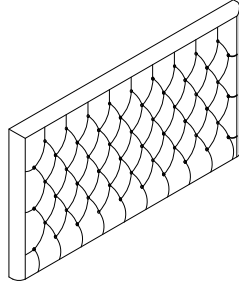
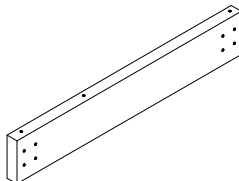
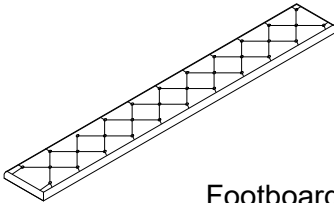
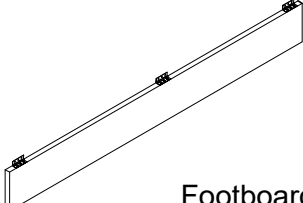
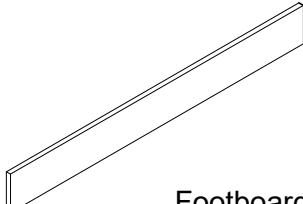
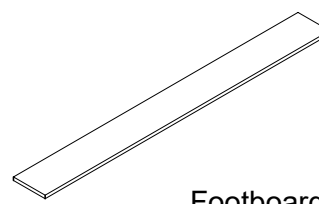
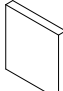
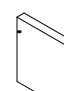
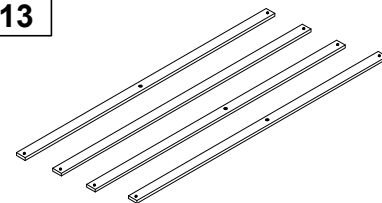
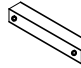
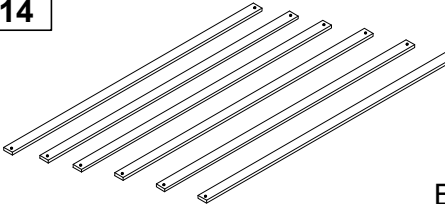
UPHOLSTERY FULL BED



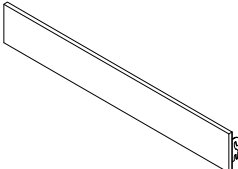
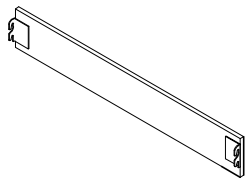
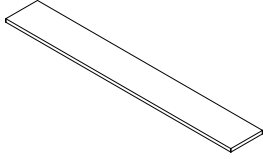
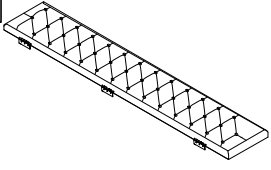

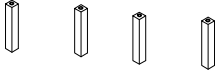
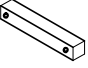
DETAIL VIEW FULL BED



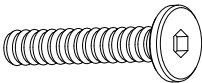
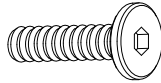


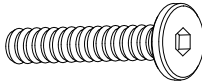



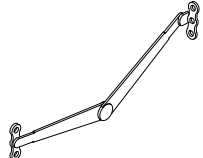
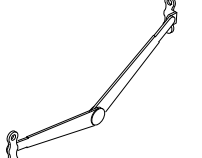
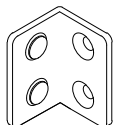
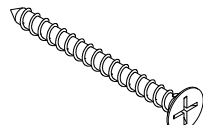
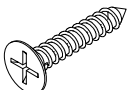
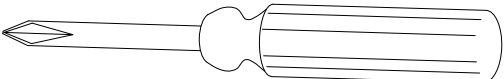
PART LISTS

<p>1</p>  <p>Upper headboard-1pc</p>	<p>2</p>  <p>Lower headboard-1pc</p>
<p>3</p>  <p>Footboard flip panel-1pc</p>	<p>4</p>  <p>Footboard inside panel-1pc</p>
<p>5</p>  <p>Footboard outside panel-1pc</p>	<p>6</p>  <p>Footboard bottom panel-1pc</p>
<p>7</p>  <p>Divider panel-3pcs</p>	<p>8</p>  <p>Footboard side panel-2pcs</p>
<p>13</p>  <p>Bed slat (1)-4pcs</p>	<p>17</p>  <p>Cleat -6pcs</p>
<p>14</p>  <p>Bed slat (2)-6pcs</p>	

PART LISTS

<p>9</p>  <p>Side rail inside panel-2pcs</p>	<p>10</p>  <p>Side rail outside panel-2pcs</p>
<p>11</p>  <p>Side rail bottom panel-2pcs</p>	<p>12</p>  <p>Side rail flip panel-2pcs</p>
<p>15</p>  <p>Center support bar -1pc</p>	<p>16</p>  <p>Center leg -4pcs</p>
<p>17</p>  <p>Cleat -12pcs</p>	

HARDWARE LISTS

A  Ø5/16" x 40mm Hex-head bolt (4pcs)	B  Ø5/16" x 20mm Hex-head bolt (16pcs)
C  Ø5/16" Spring washer (20pcs)	D  Ø5/16" Flat washer(20pcs)
E  Ø1/4" x 50mm Hex-head bolt (4pcs)	F  Ø1/4" Spring washer (4pcs)
G  Ø1/4" Flat washer(4pcs)	H  4mm Allen key (1pc)
I  Safety hinges-left (3pcs)	J  Safety hinges-right (3pcs)
K  L bracket (14pcs)	L  Ø4 x 30mm Wood screw (83pcs)
M  Ø4 x 15mm Wood screw (80pcs)	
 Assembly required (not included)	



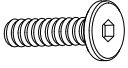
Read this instruction carefully. See hardware and furniture part list for guidance. Be sure all parts are complete, before you assemble. Place all wooden furniture parts on a clean and flat soft surface to prevent from being scratched. Follow the figure to start assembling.

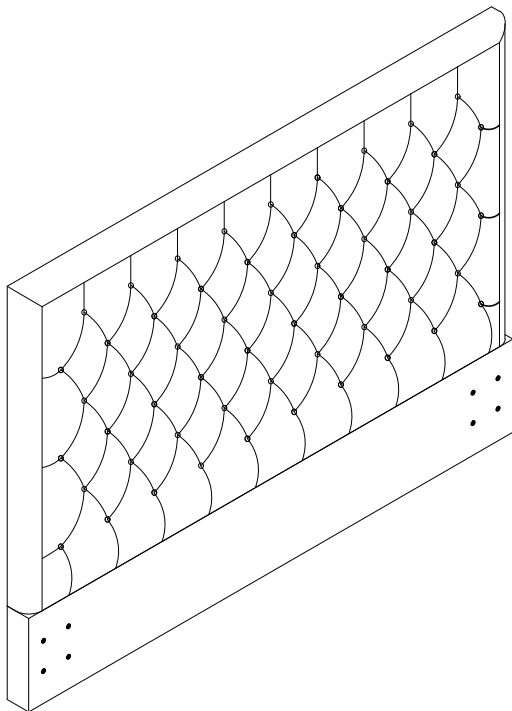
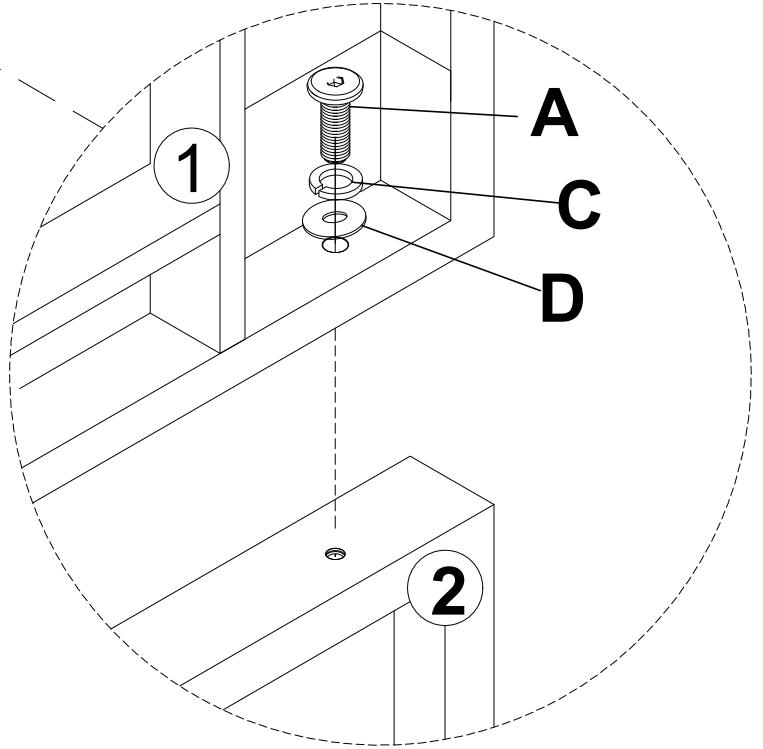
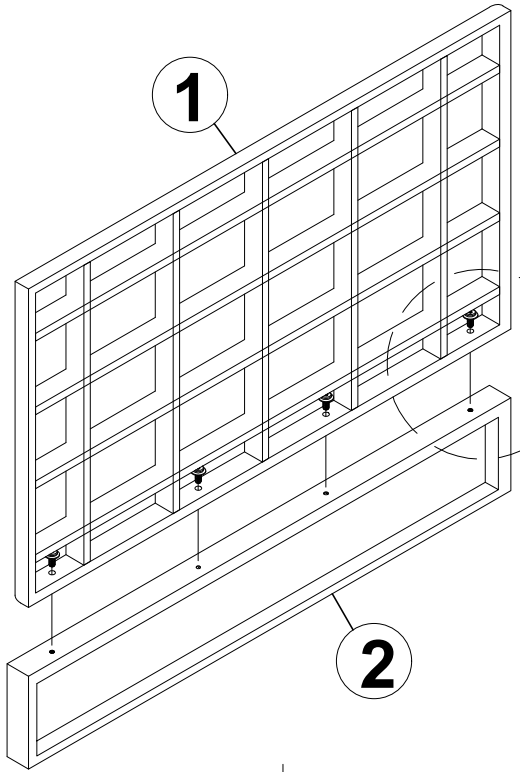
CAUTIONS :

1. Do not FULLY - TIGHTEN the nut or nut bolt until all nut or bolt is ready assembled.
2. Do not OVER - TIGHTEN the nut or bolt to avoid causing damages to the thread.
3. Keep all hardware parts out of reach of children.

NOTE : THE LIST AND QUANTITY SHOWN ARE FOR 1 UNIT ASSEMBLY.

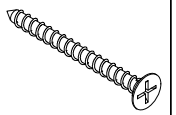
STEP 1

C 	D 	A 
4PCS	4PCS	4PCS

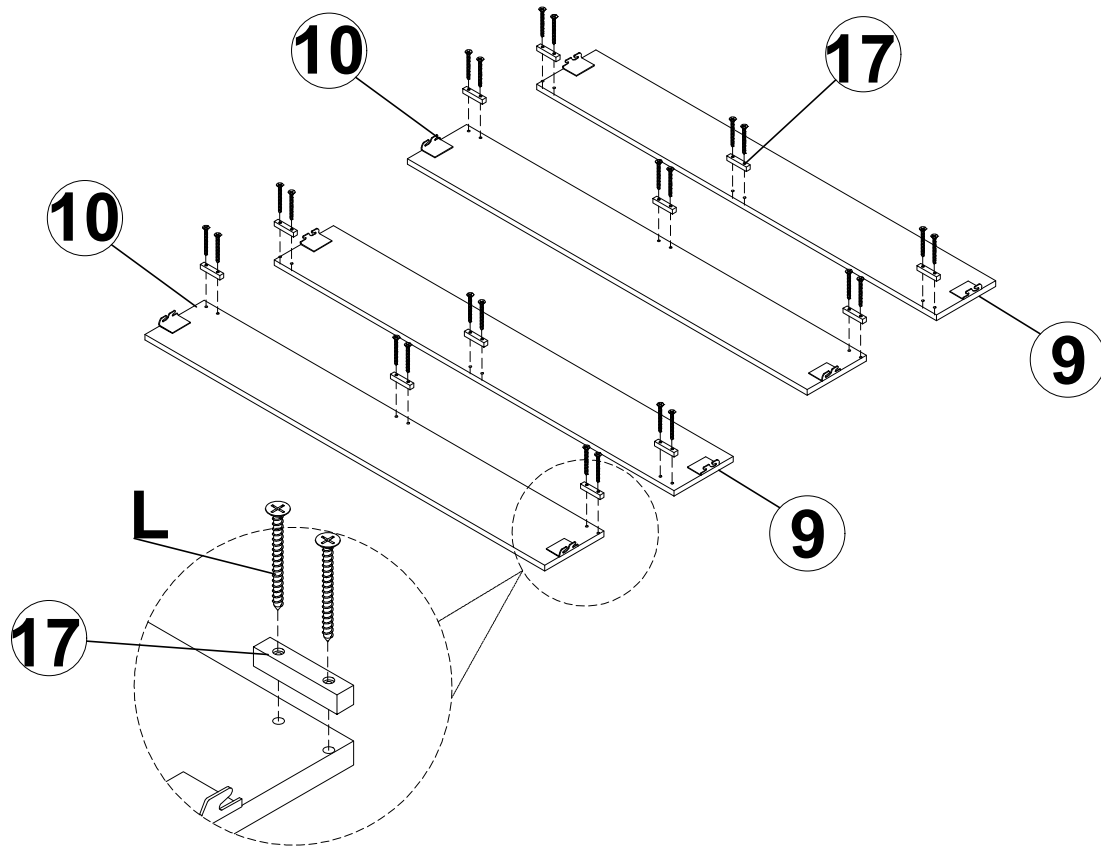


STEP 2

L

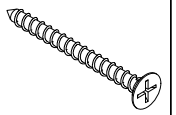


24PCS

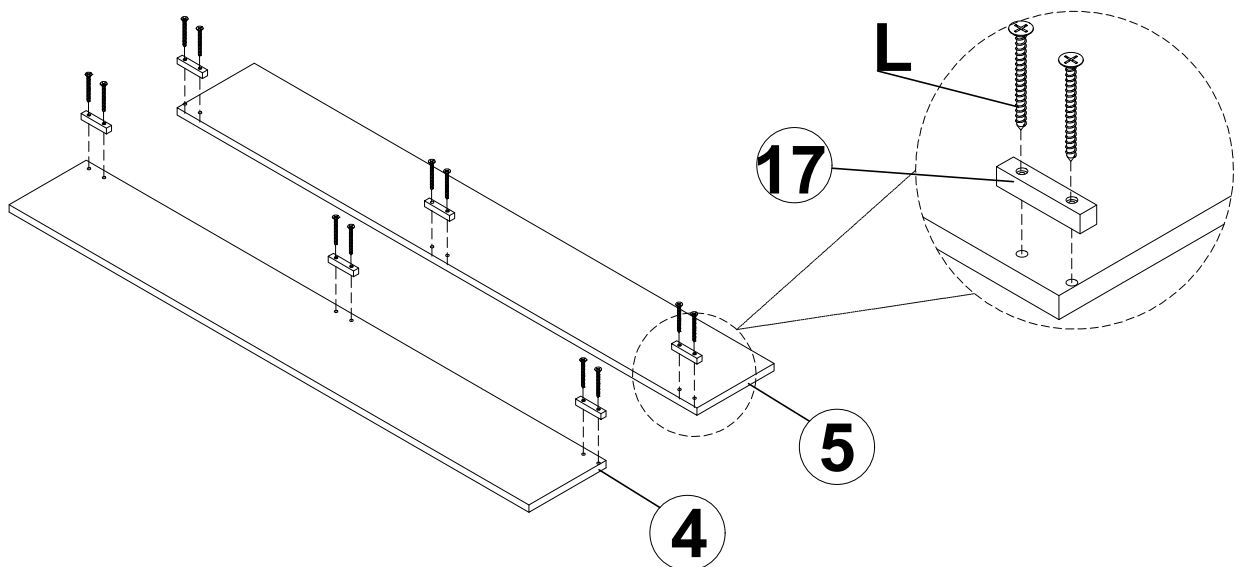


STEP 3

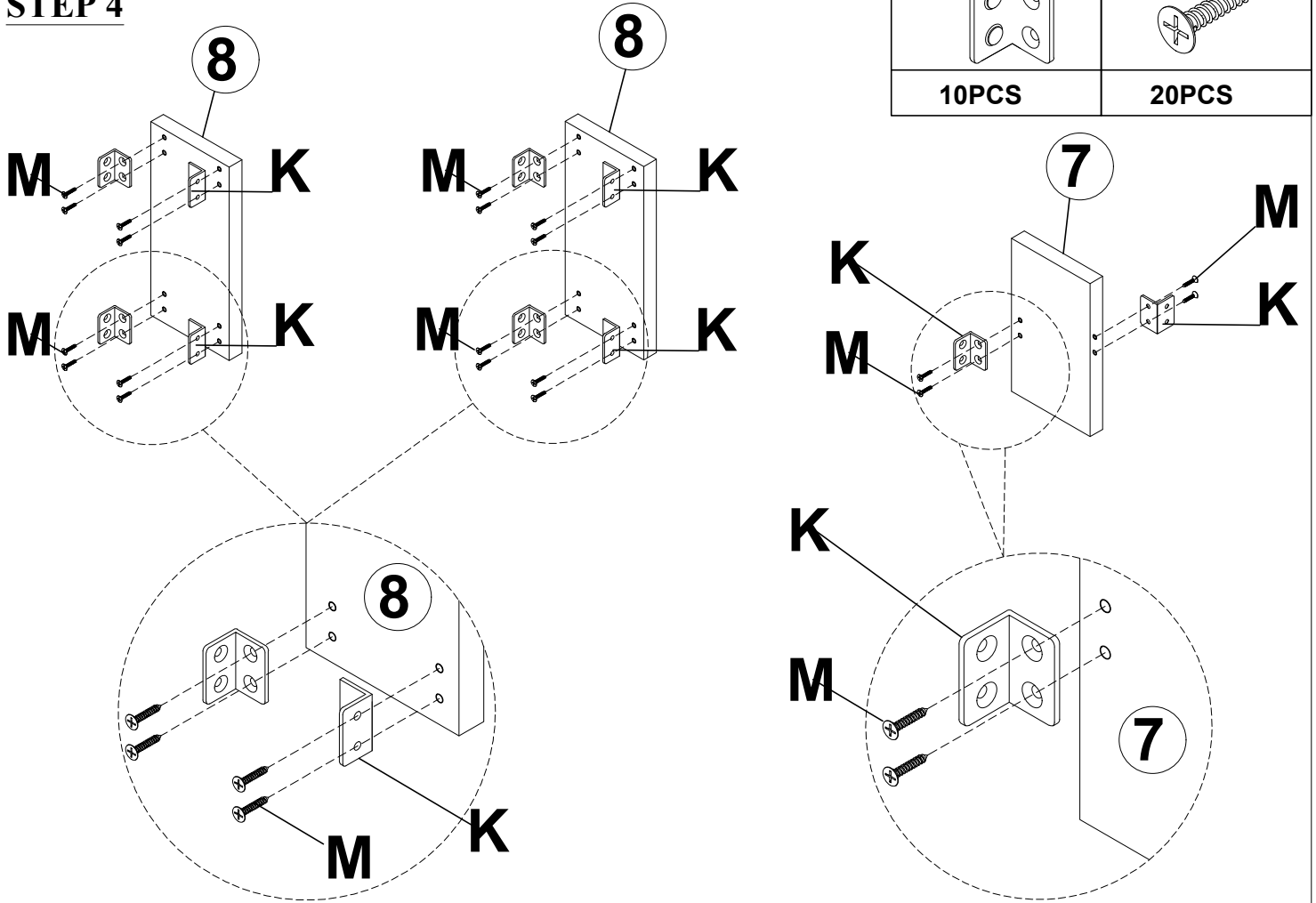
L



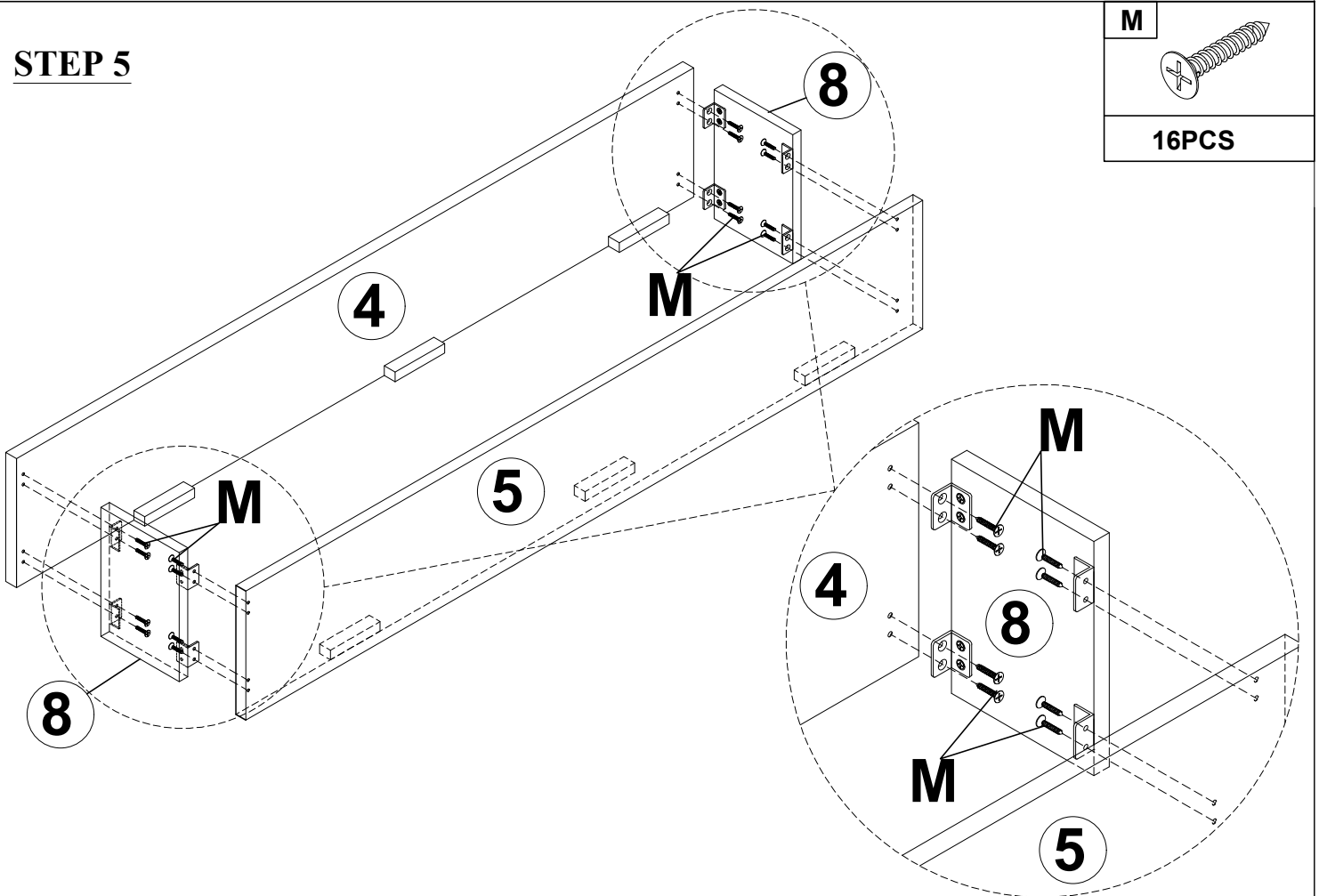
12PCS



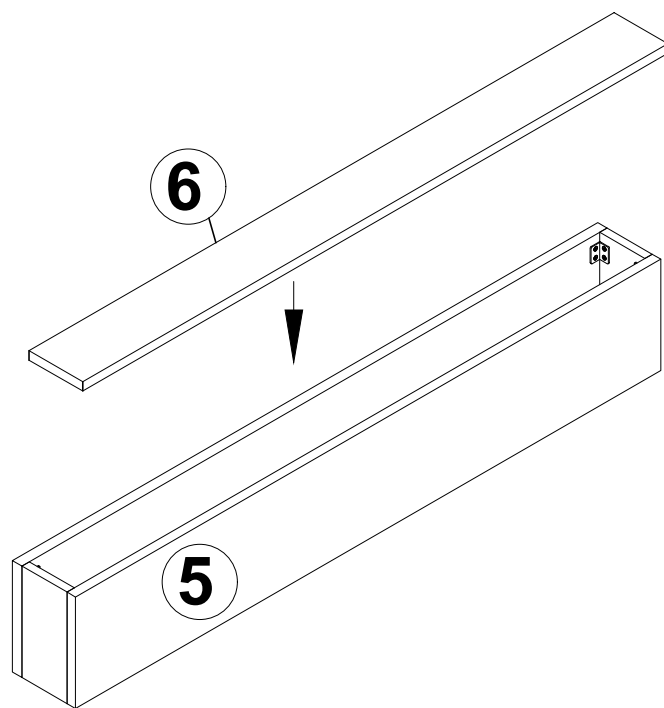
STEP 4



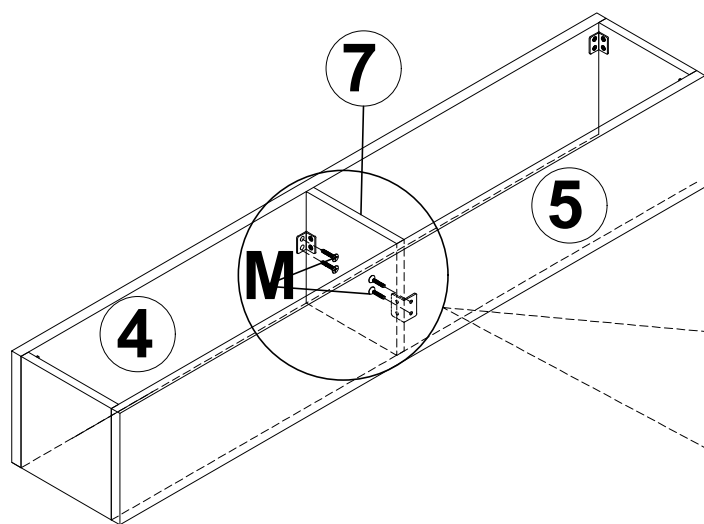
STEP 5



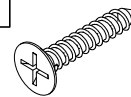
STEP 6



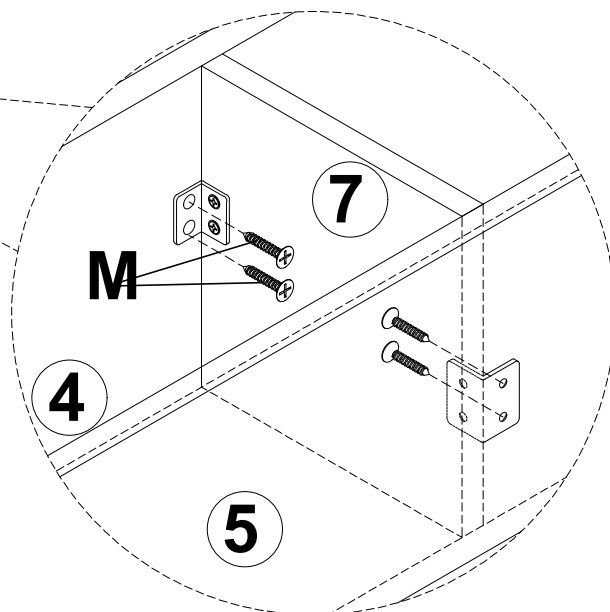
STEP 7



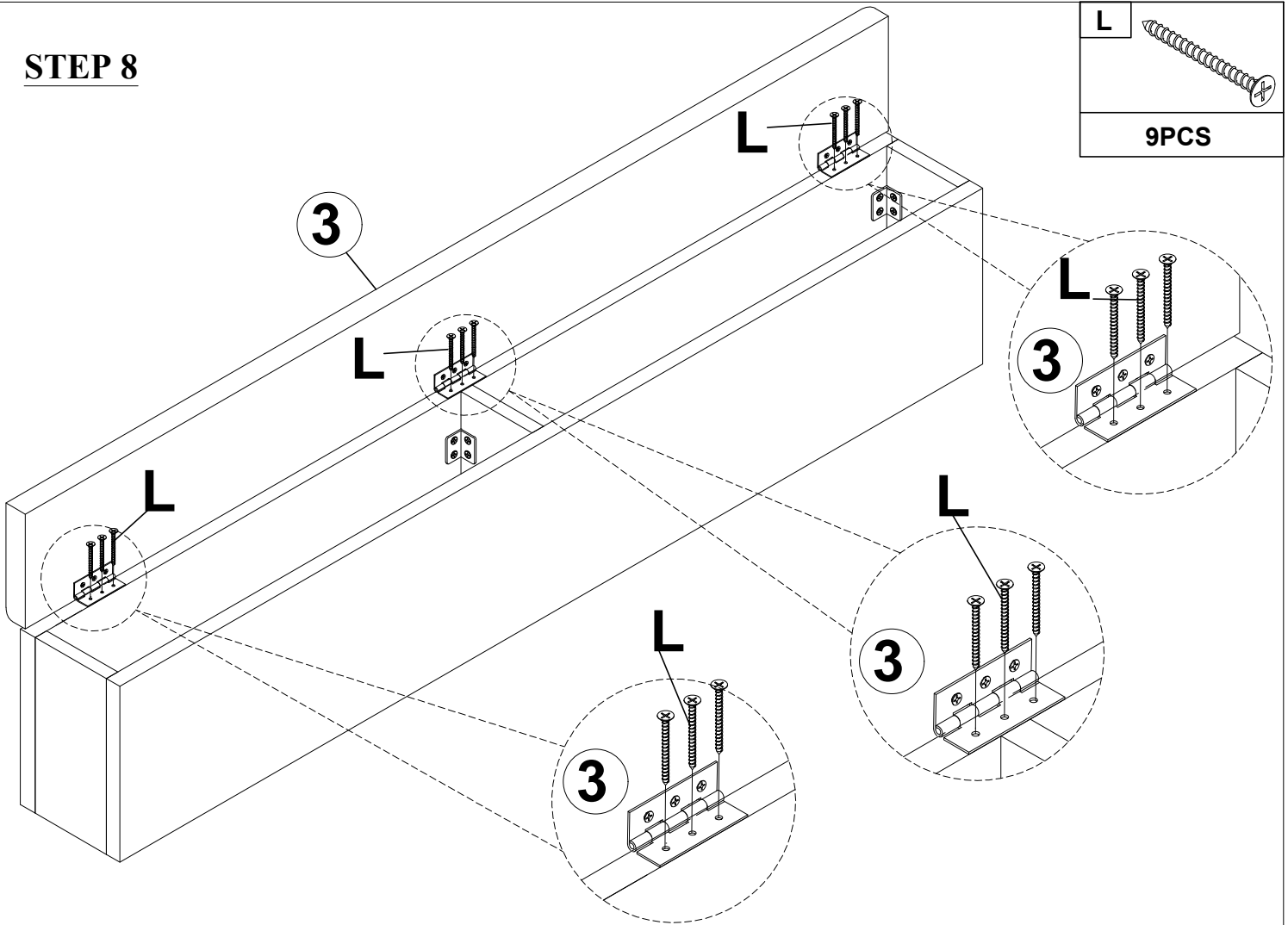
M

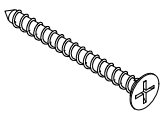


4PCS

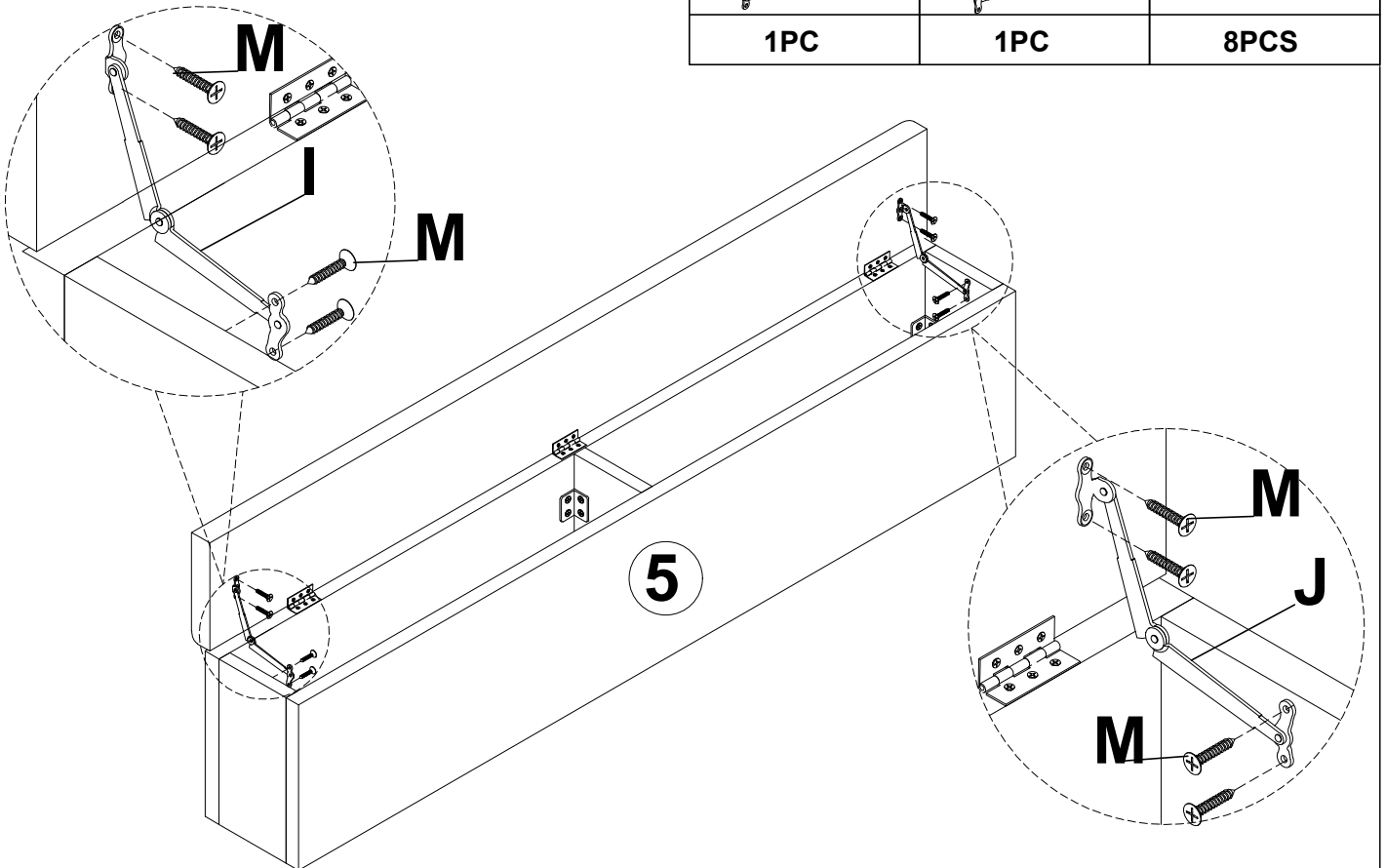


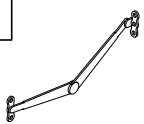
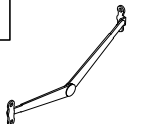
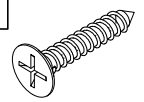
STEP 8





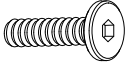
L	
9PCS	

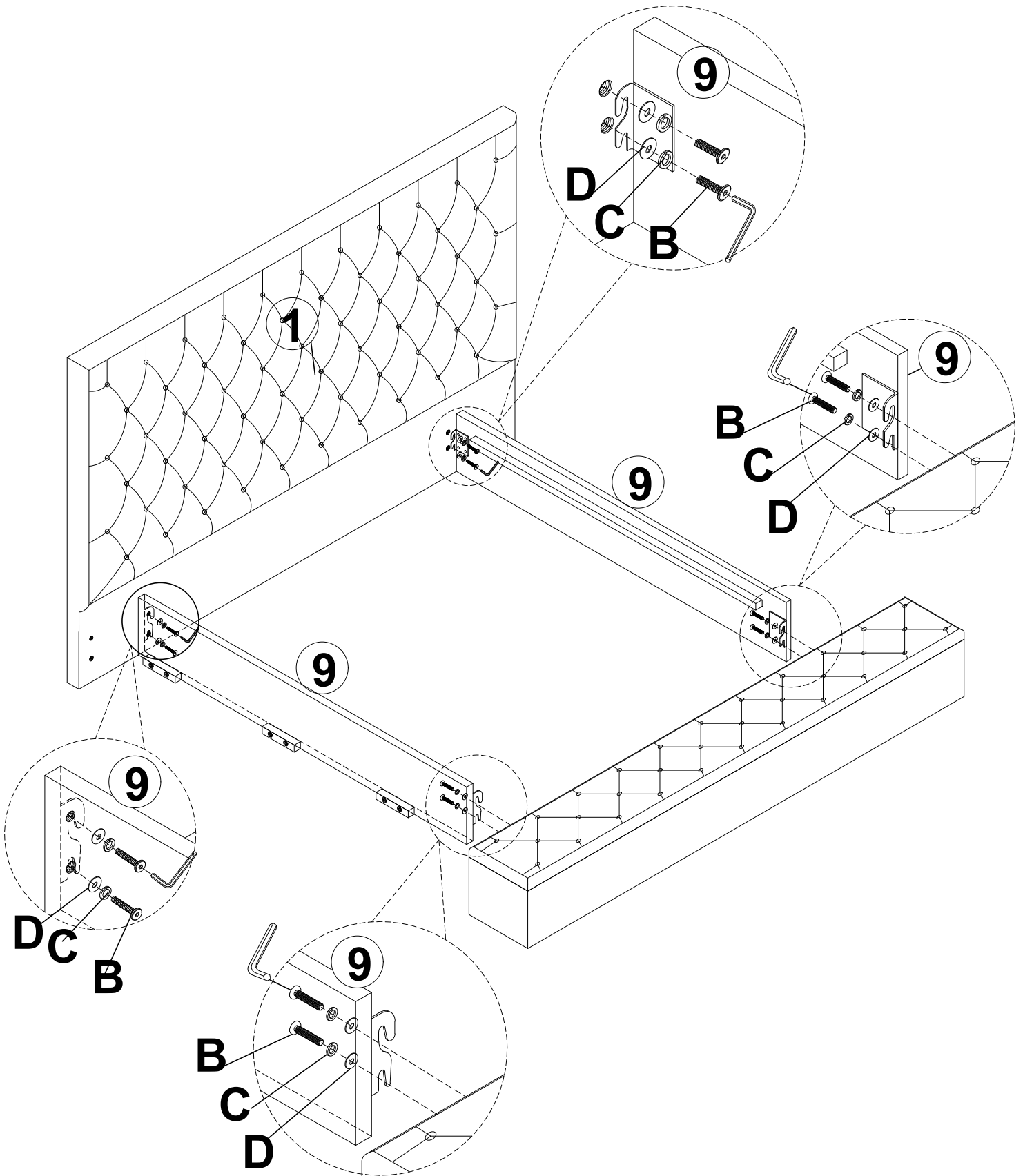
STEP 9





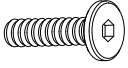
I		J		M	
1PC		1PC		8PCS	

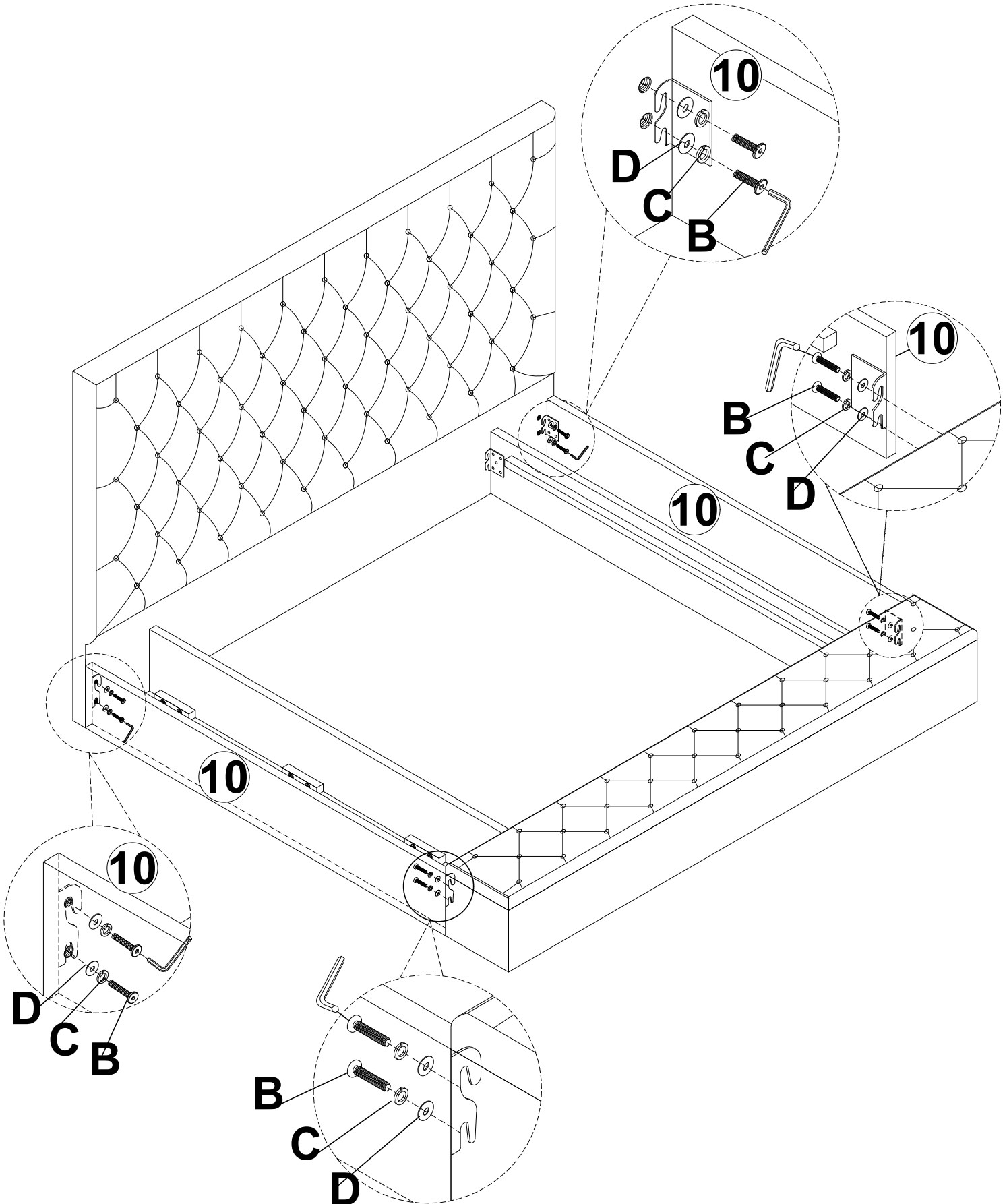
STEP 10

C 	D 	B 
8PCS	8PCS	8PCS

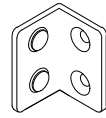
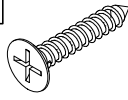


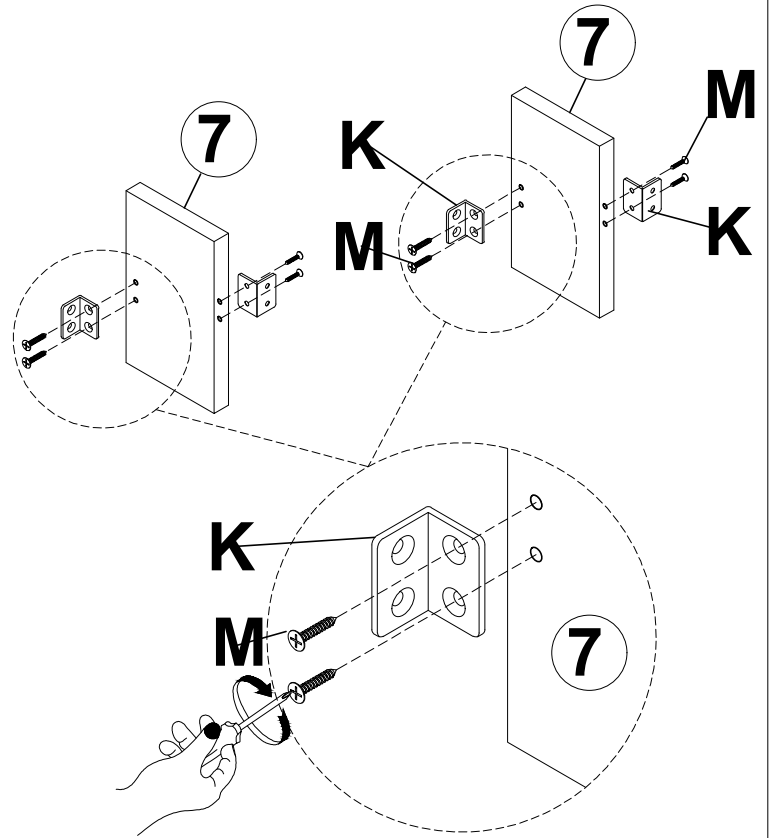
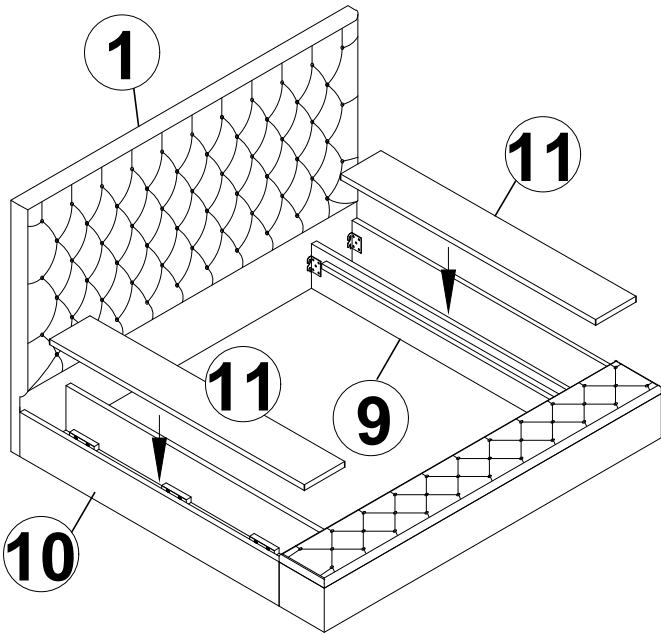
STEP 11

C 	D 	B 
8PCS	8PCS	8PCS

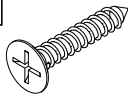


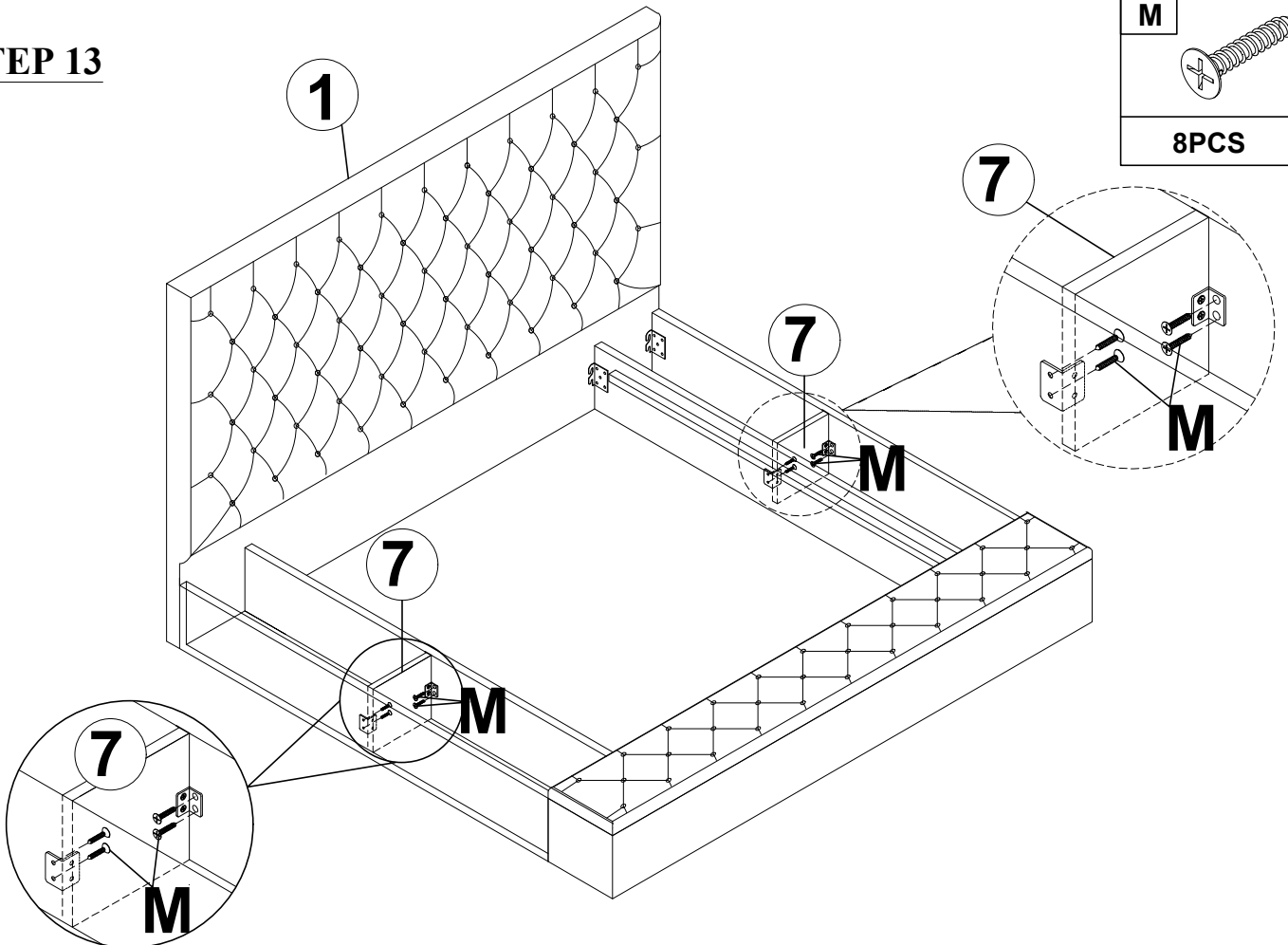
STEP 12

K		M	
4PCS		8PCS	



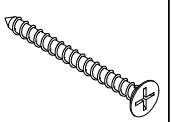
STEP 13

M	
8PCS	

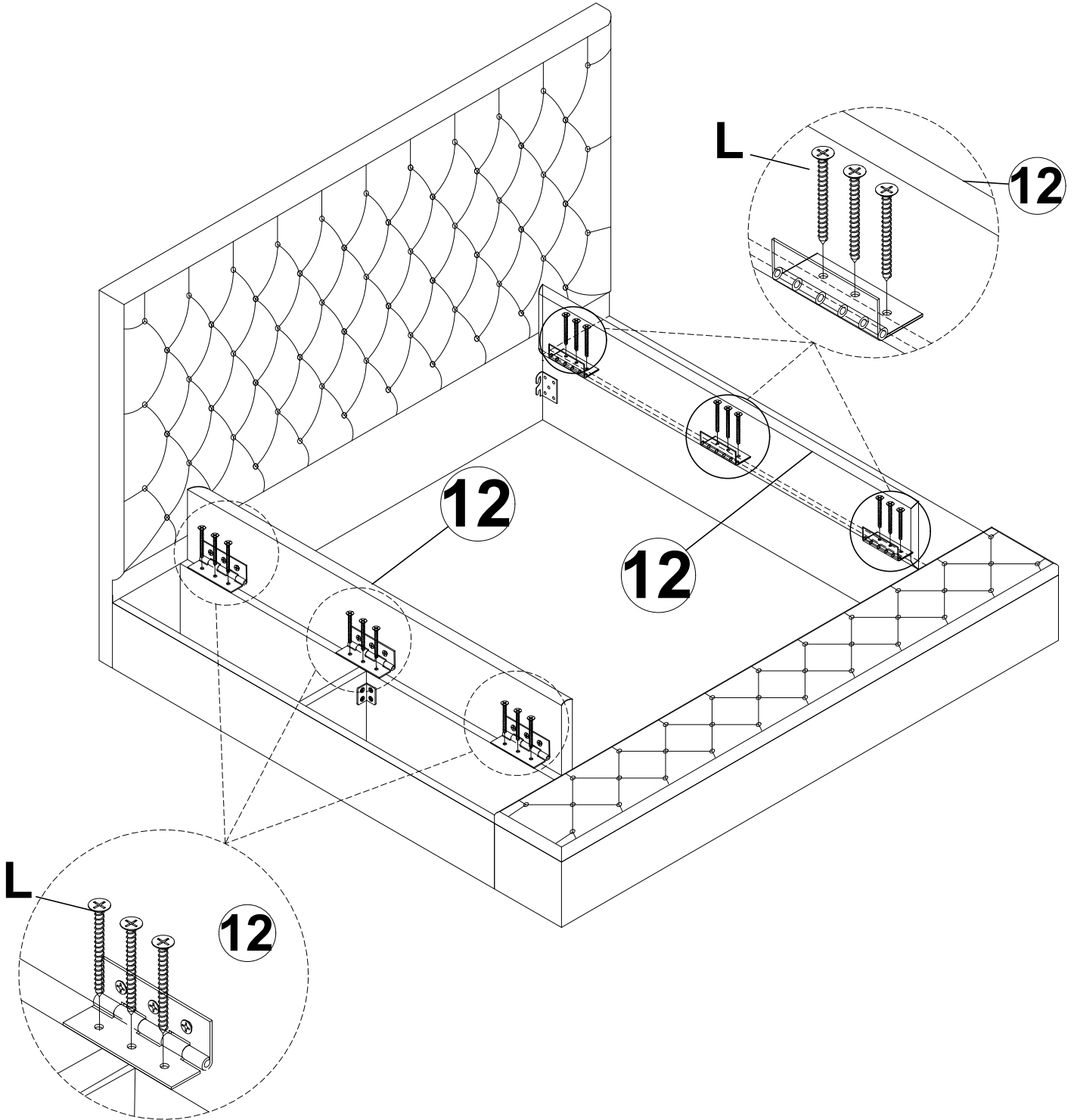


STEP 14

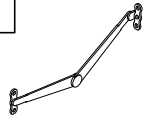
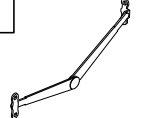
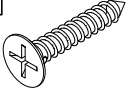
L

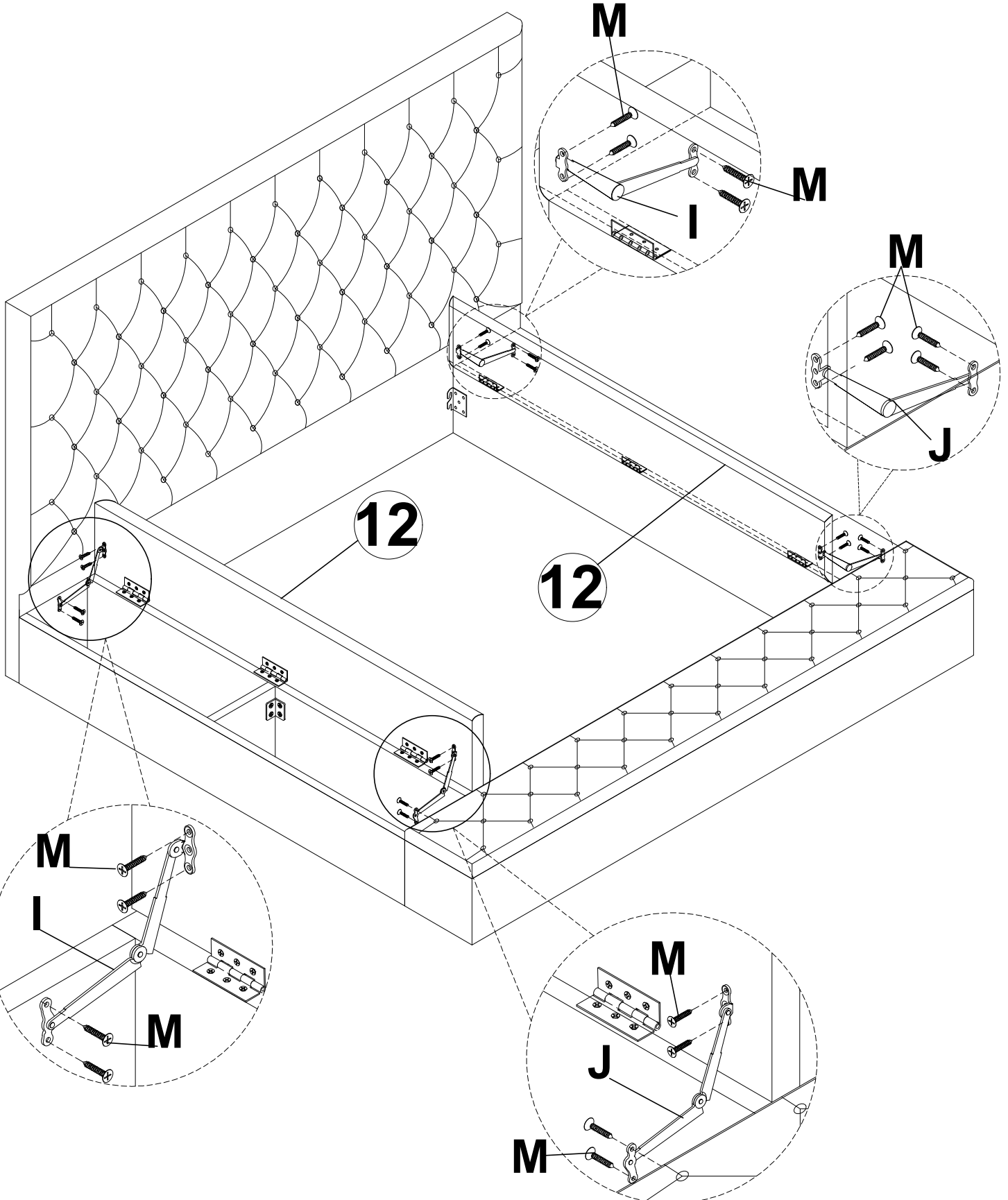


18PCS

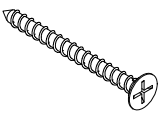


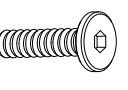


STEP 15

I 	J 	M 
2PCS	2PCS	16PCS



STEP 16

L 	F 	G 	E 
20PCS	4PCS	4PCS	4PCS

