

Here we believe design should begin with real-life needs-not marketing trends.

We also believe cost-cutting should never come at the expense of user experience.

This product reflects this commitment. Every detail has been thoughtfully considered to create a vanity that's reliable, functional, and built to last.

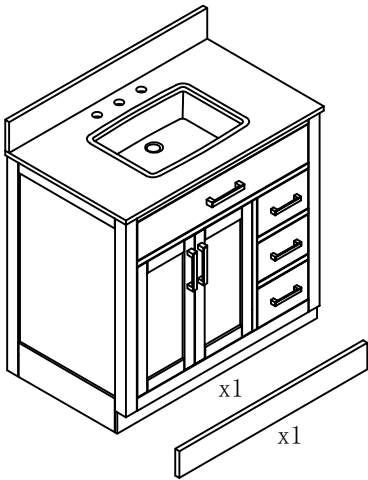
Key features include:

- **Multiple-drawer layout: Organized compartments for efficient daily storage**
- **Flip-out drawer: Perfect for high-frequency items—easy to reach, easy to keep tidy**
- **Interior shelving: Maximizes vertical space and enhances overall storage capacity**
- **Built-in outlet space: Convenient for hairdryers, electric toothbrushes, and charging devices**
- **0.79-inch solid thick countertop: Strong and stable, combining durability with a premium feel**
- **Enclosed solid wood base: Supports heavy loads, resists dust and moisture, easy to clean**
- **Solid wood + plywood construction: We deliberately avoid MDF or particle board to ensure strength and longevity**
- **Fully assembled: Delivered ready to use—no installation required**

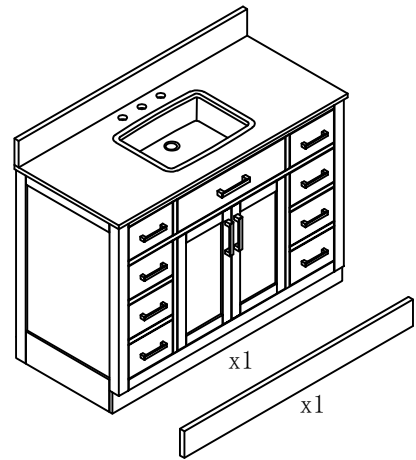
We hope this product quietly integrates into your everyday routine, standing the test of time and becoming a truly reliable part of your bathroom.

ASSEMBLY INSTRUCTIONS

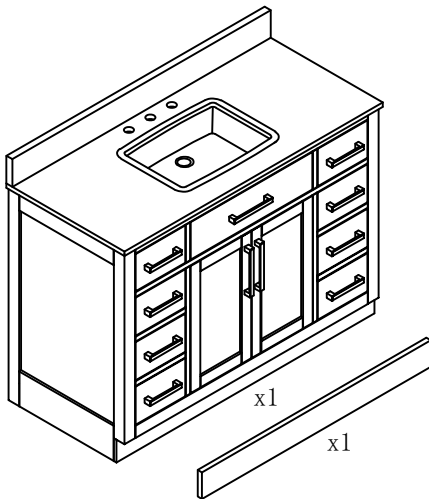
Vanity Series



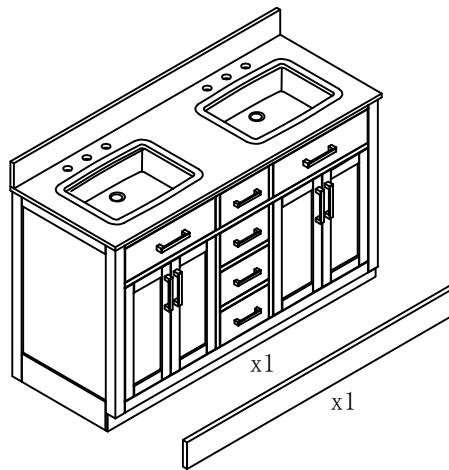
36" Vanity



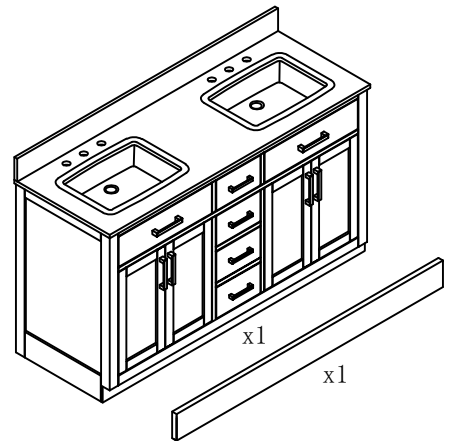
42" Vanity



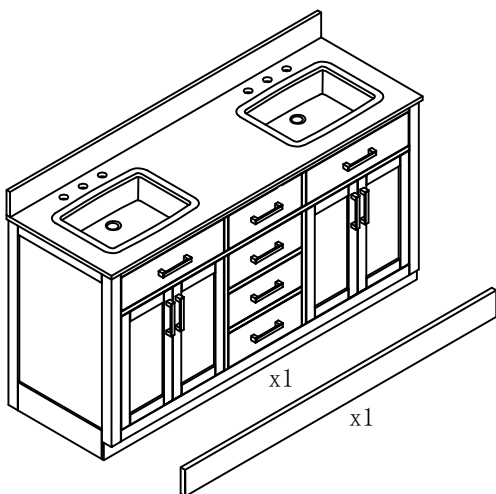
48" Vanity



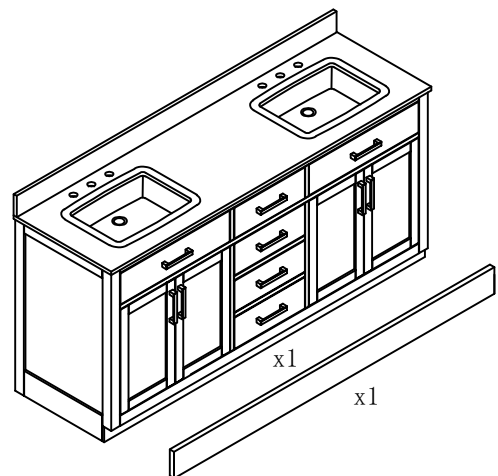
54" Vanity



60" Vanity



66" Vanity



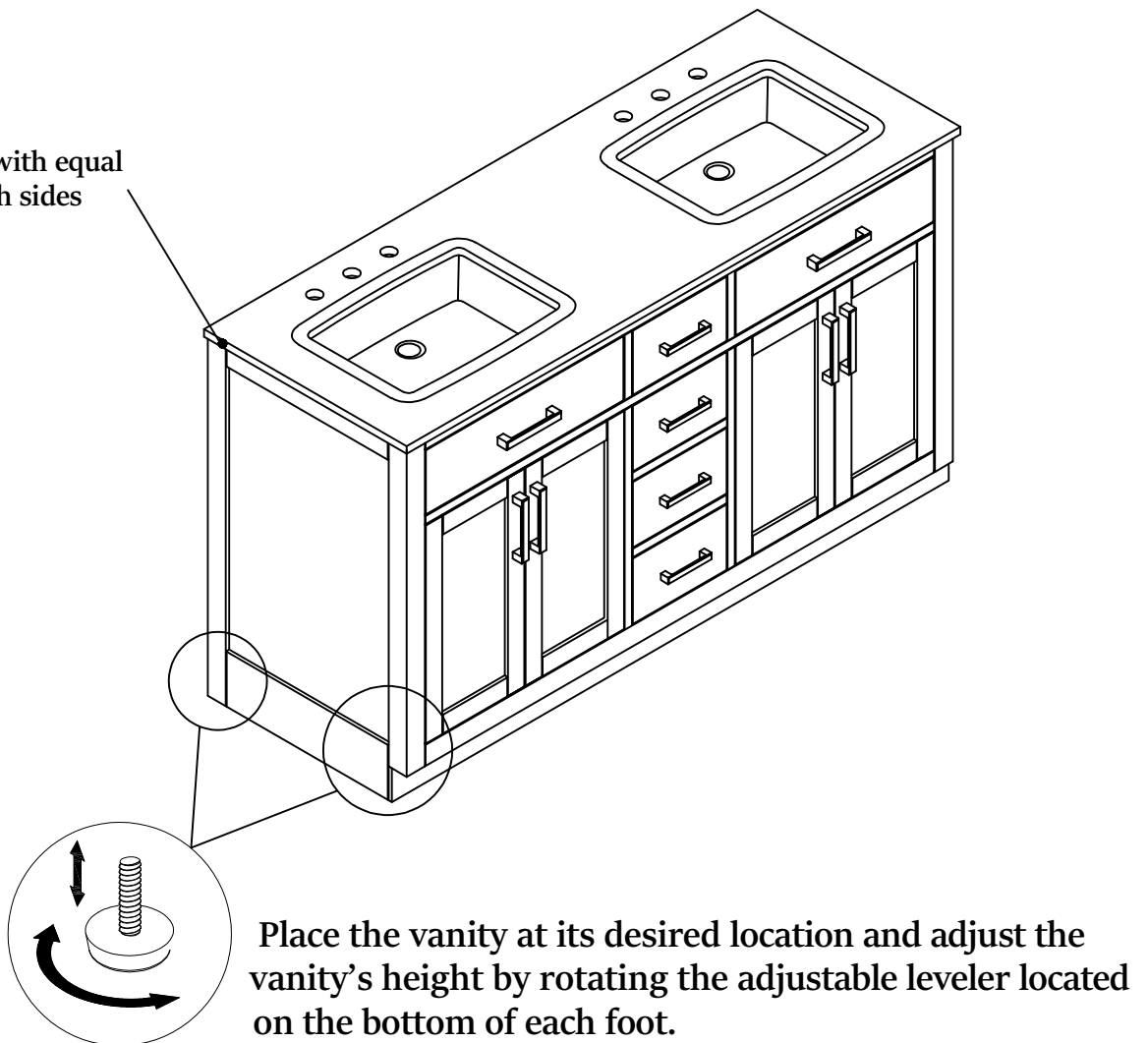
72" Vanity

Assembly Instructions

> The top is designed to be adjustable and is centered at the factory for flexible placement depending on wall layout.

Step 1: Identify Factory Setup

Top is centered with equal overhang on both sides



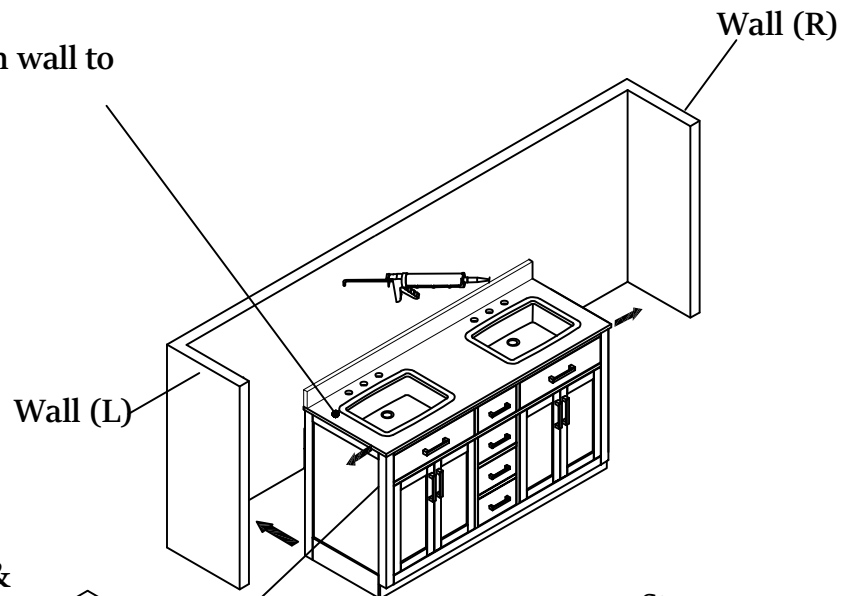
Assembly Instructions

> If one side of the vanity is against a wall, slide the adjustable top toward the opposite (open) side. Let the top overhang slightly on the wall side to cover any wall gaps. No cutting required—cleaner and more water-resistant.

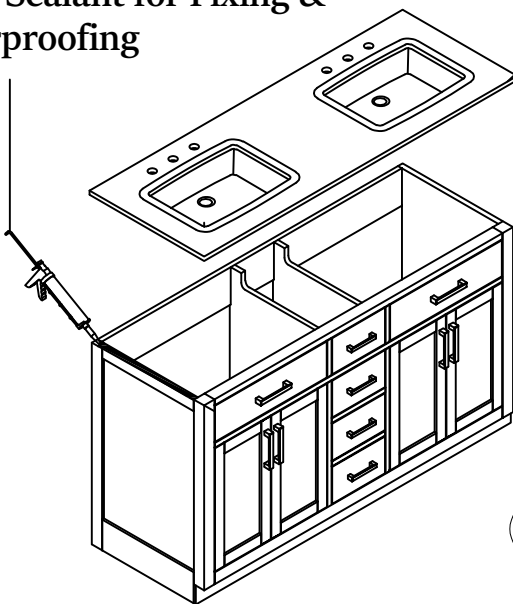
> After adjusting and aligning the top, apply silicone under the top where it meets the cabinet. Also apply mold-resistant neutral silicone along the wall side to prevent shifting and water seepage.

Step 1: Slide Top to Align with Wall Side

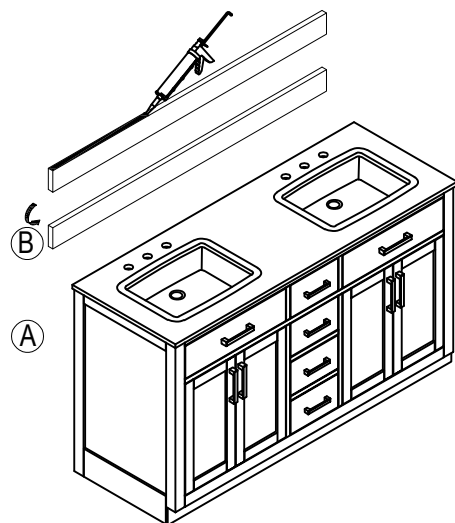
Show top sliding away from wall to make the wall side flush



Step 2. Apply Sealant for Fixing & Waterproofing



Step 3.



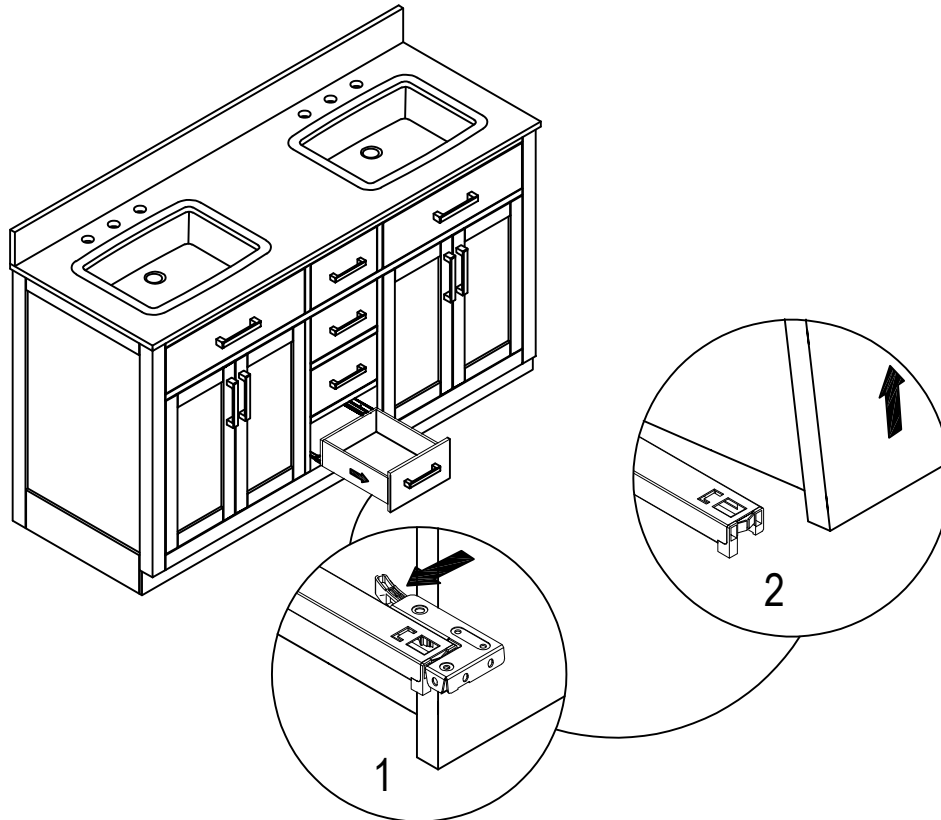
 24H

Once adjusted, the top should not be moved again—secure with sealant. Allow at least 24 hours for the sealant to fully cure before use.

Assembly Instructions

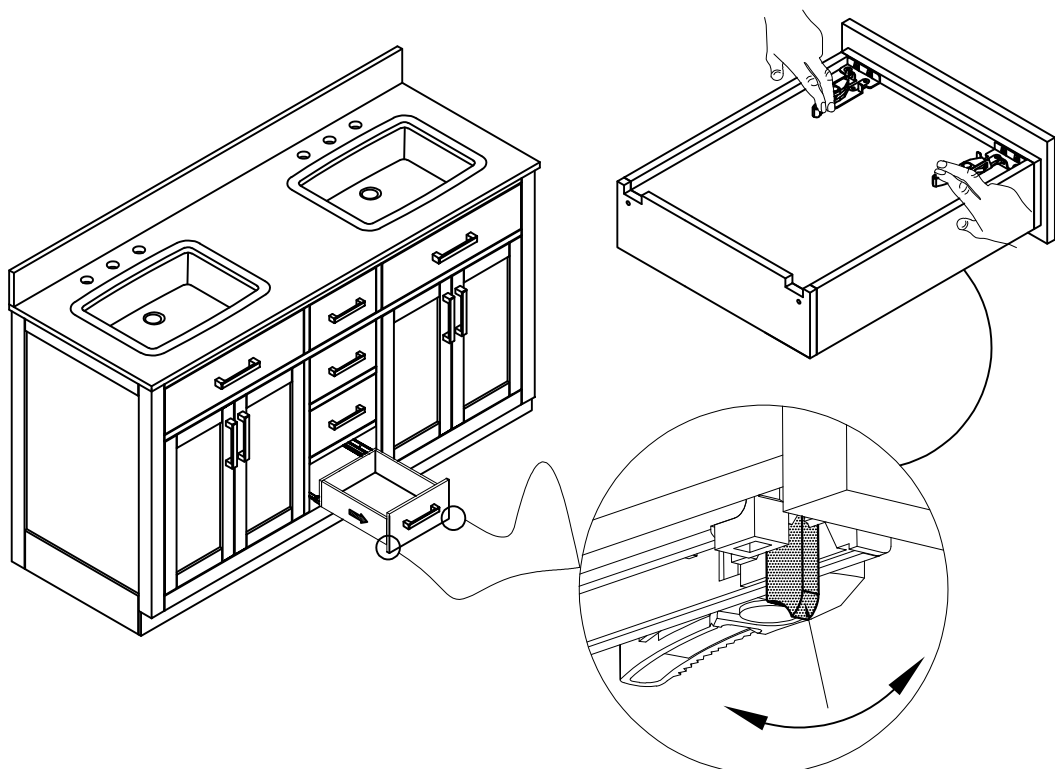
To remove the drawer:

- a. Locate the clips on both sides at the bottom of the drawer.
- b. Press both clips simultaneously and gently lift the drawer upward.
- c. Disengage the drawer from the slide rails and pull it out completely



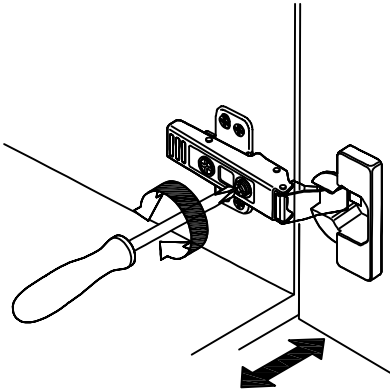
To insert the drawer:

- a. Fully extend the drawer slide tracks.
- b. Carefully insert the drawer clips into the rear hooks on the slide tracks.
- c. Lower the drawer onto the extended slide rails.
- d. Push the drawer inward until it fully engages.

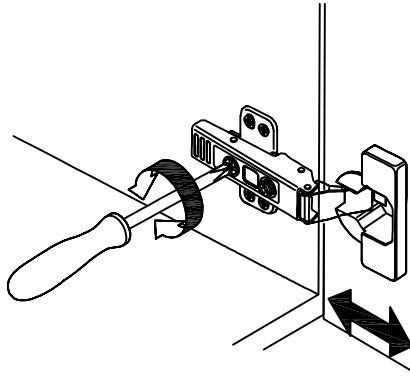


Assembly Instructions

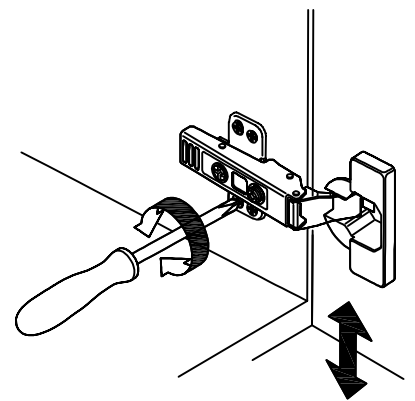
To adjust the door:



In & out adjustment

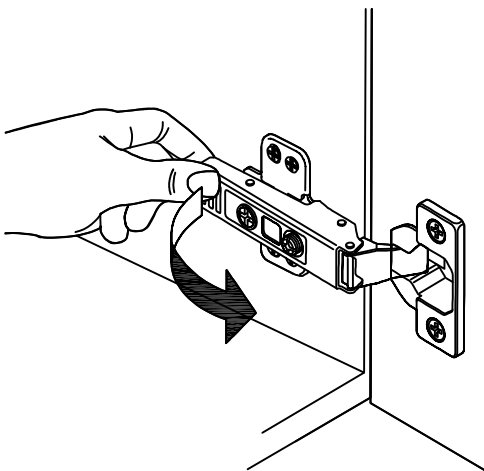


Left & right adjustment

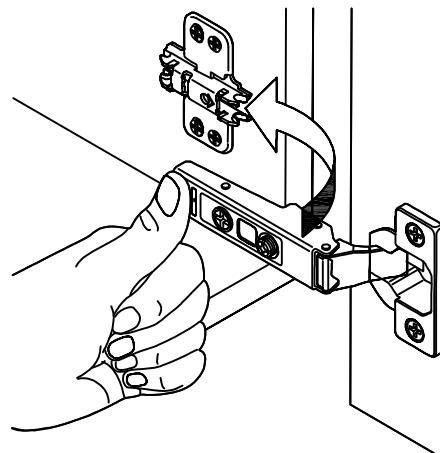


up & down adjustment

To remove or install the hinges:



Remove



Install

Countertop Care Guide

Notes on Engineered Stone Countertop Care and Maintenance:

Engineered stone is durable and ideal for bathroom vanities. With proper care, your countertop can maintain its appearance and performance for many years. Please observe the following maintenance guidelines:

Seal the surface before initial use and every 6–12 months thereafter, depending on usage. This helps prevent staining, discoloration, and wear over time.

Rinse and dry thoroughly after cleaning, especially when using products like soaps or facial cleansers that may contain chemical residues. These can cause long-term staining or surface etching.

Avoid placing heavy or uneven weight on the surface. Do not sit, stand, or drop heavy items on the countertop to prevent cracking.

Ensure hanging wall décor above the vanity is secure. Falling items may impact and damage the surface.

Do not place hot appliances like curling irons or hair dryers directly on the countertop. Always use a heat-resistant pad.

Wipe up spills immediately. Avoid leaving liquids overnight, especially oils or acidic substances, which may cause staining.

Recommended Cleaning Method:

Step 1. Spray a mild, non-abrasive cleaner (e.g., glass cleaner or stone-safe solution) onto the surface.

Step 2. Wipe with a soft, non-abrasive cloth (avoid steel wool).

Step 3. Repeat if necessary using a clean damp cloth. Dry the surface with a clean towel.