
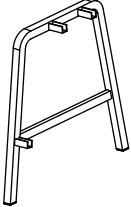
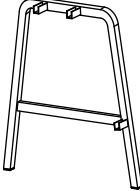
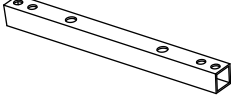
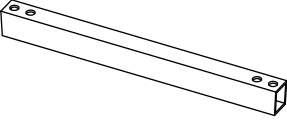
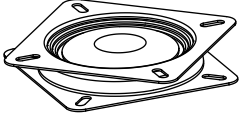
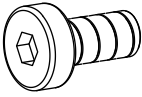
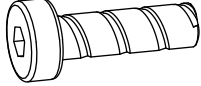

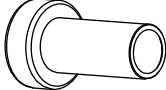

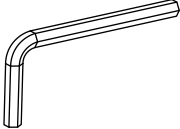
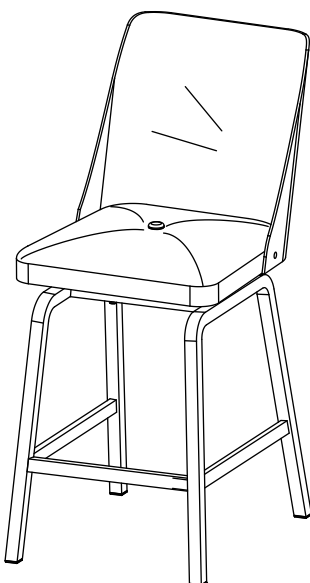


ASSEMBLY INSTRUCTION

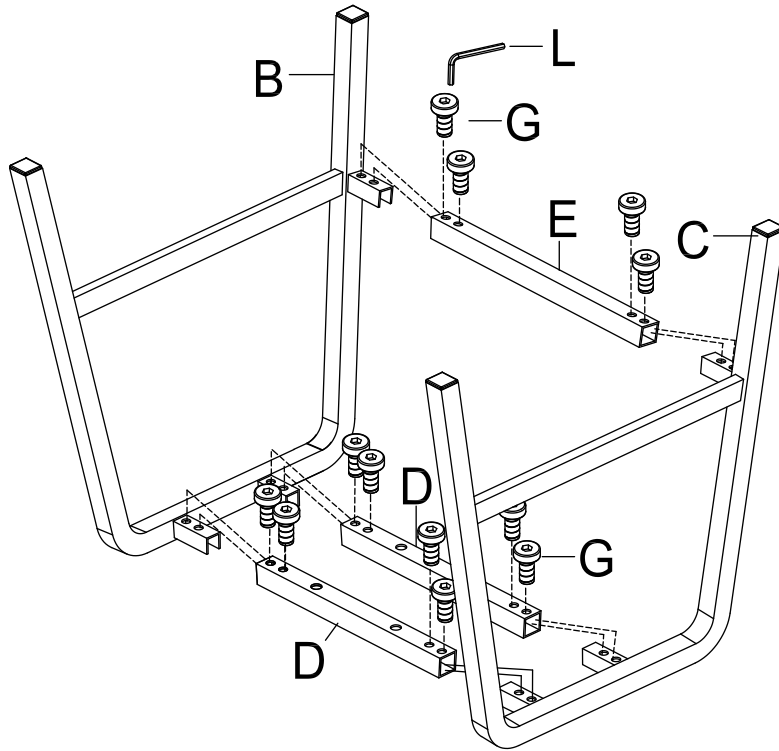
24" SWIVEL COUNTER HEIGHT STOOL

A Acrylic Seat (In Other Carton)  1pc	B Left Side Panel  1pc	C Right Side Panel  1pc	D Top Stretcher  2pcs
E Bottom Stretcher  1pc	F Swivel  1pc	G Bolt 1/4"X1/2"  16pcs	H Bolt 1/4"X3/4"  4pcs
I Lock Washer 5/16"  4pcs	J Shaft Sleeves 1/4" X 25mm  4pcs	K Flat Washer 1/4"  4pcs	L Allen Wrench 1/4"  2pcs

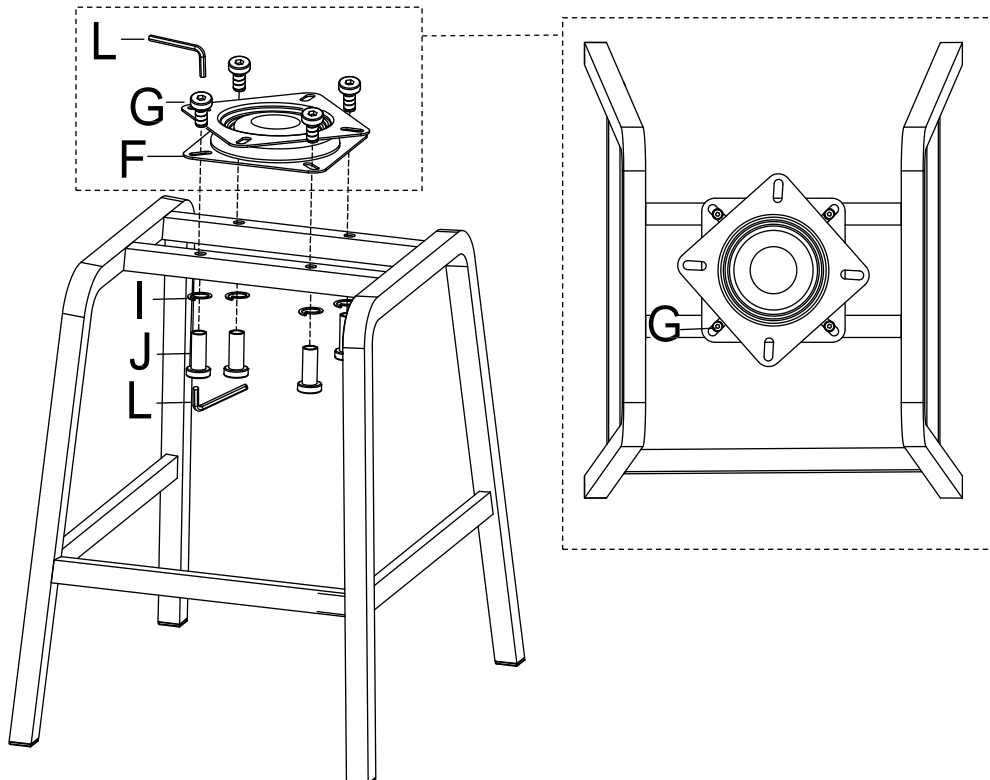


This page lists all the contents included in the box. Please take the time to identify the hardware as well as the individual components to this product. As you unpack and prepare for assembly, place the contents on a carpeted or padded area to protect them from damage.

- 1** Attach top stretcher (D) and bottom stretcher (E) to right side panel (C) and left side panel (B) by using bolts (G) and allen wrench (L) as shown.

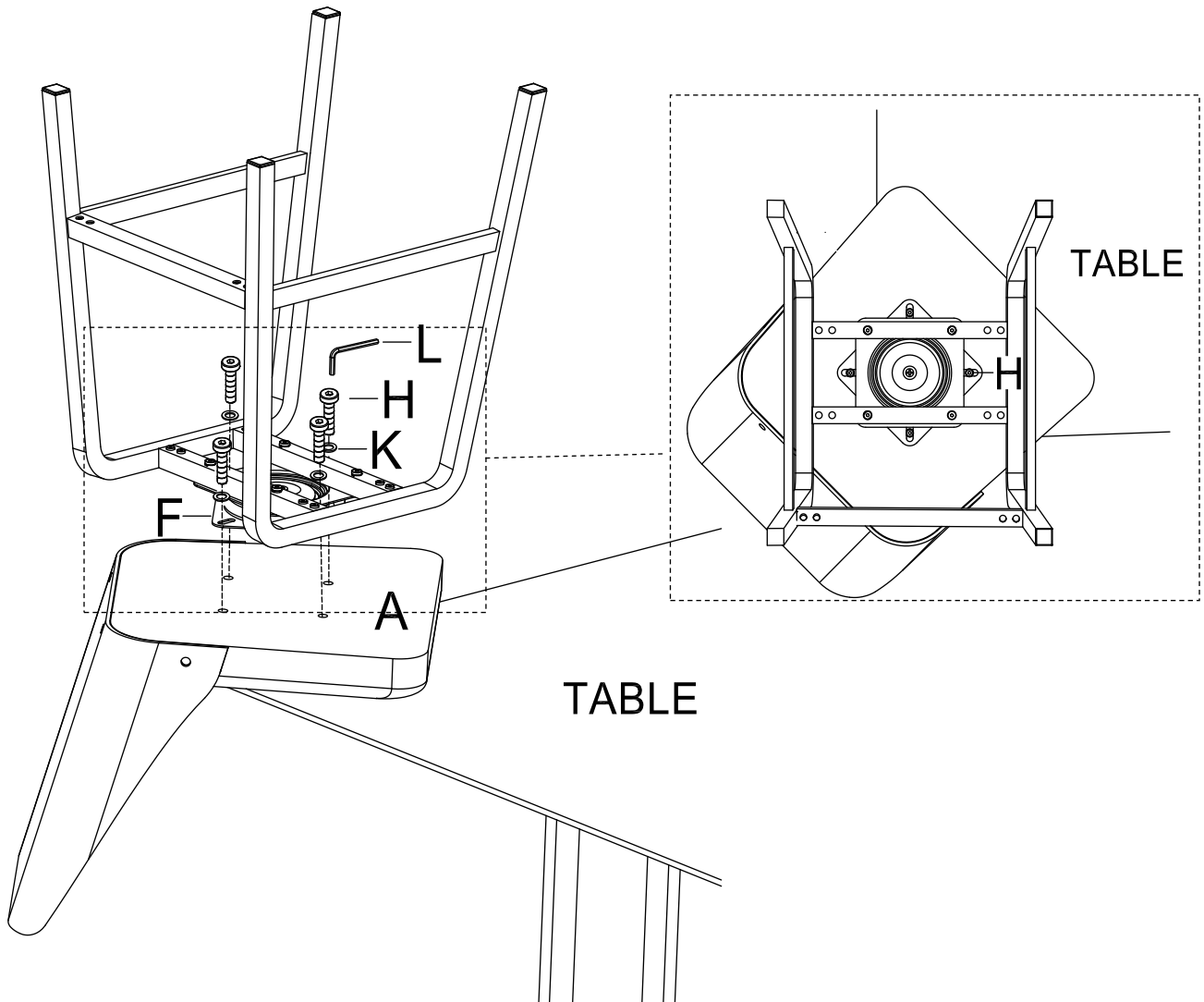


- 2** Attach swivel (F) to the assembled unit by using bolts (G), lock washers (I), shaft sleeves (J) and allen wrench (L) as shown.



3

Put the acrylic seat (A) on the table and attach the assembled unit to it by using bolts (H), flat washers (K) and allen wrench (L) as shown.



Cleaning & Care

Treat surface with care. Surface is resistant to scratches but is not scratch resistant. Clean surfaces with a dry or damp soft cloth. Do not use abrasive cleaners. Hardware may loosen over time. Periodically check that all connections are tight.