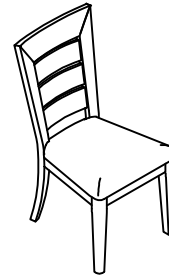


ASSEMBLY INSTRUCTIONS



010 - 636

TOOLS REQUIRED:

Allen key (supplied, part # F)

BEFORE YOU START:

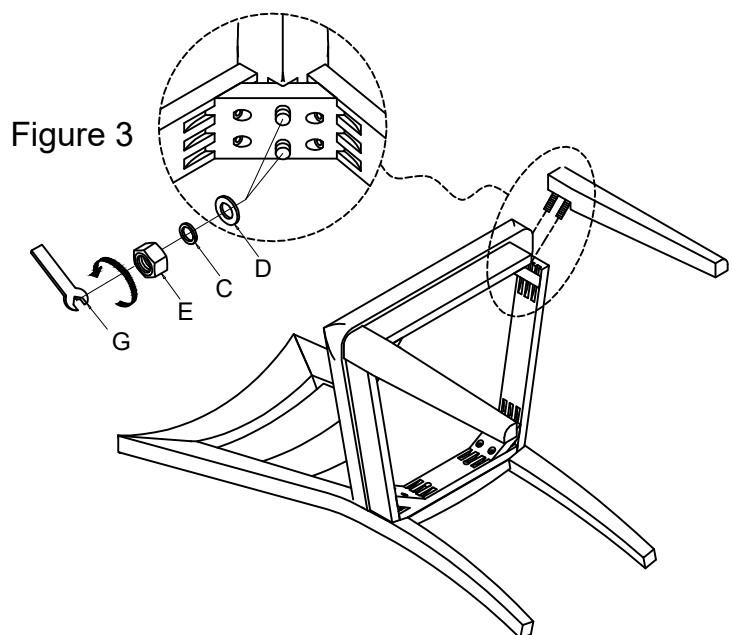
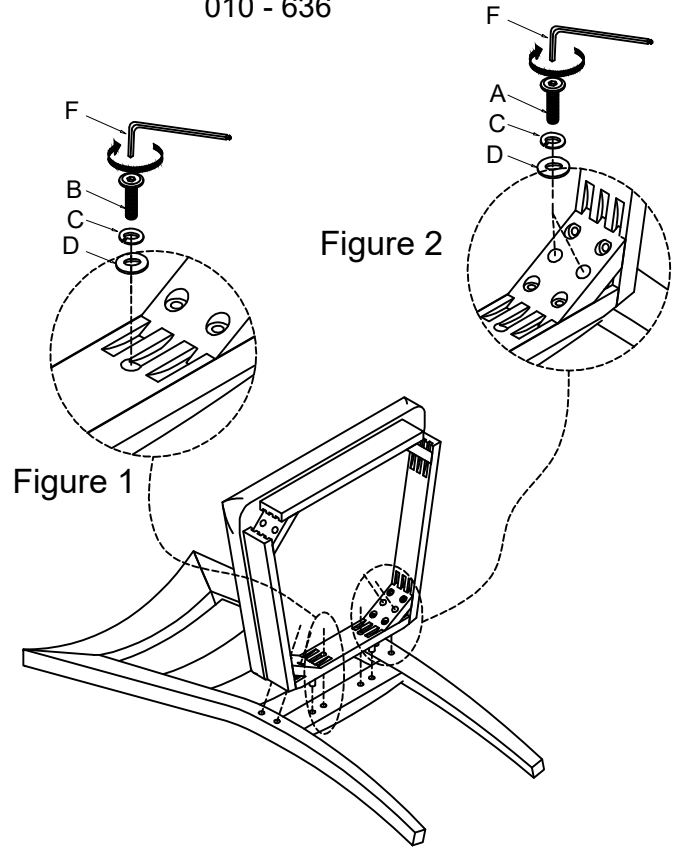
1. Check the parts against the parts list to make sure all items are present.
2. Assemble your furniture on a soft, flat surface to avoid scratching the finish.
3. **CAUTION:** Do not over tighten screws, nuts or bolts during assembly.
4. Your furniture may require occasional tightening.







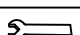
INSTRUCTIONS:

1. Attach seat frame on back chair by using Flat washer (D), Lock Washer (C), Bolt (B) and Bolt (A) with Allen Key (F). (See Figure 1), (See Figure 2)

2. Attach front legs on the chair by using Flat washer (D), Lock Washer (C), Nut (E) with Spanner Wrench (G). (See Figure 3).

Tighten all bolts with Allen Key (F) and Spanner Wrench (G).



No.	Hardware List	Q'ty
A	 Bolt Ø5/16 x 2 3/4"	4
B	 Bolt Ø5/16 x 1 3/4"	2
C	 Lock Washer Ø5/16"	10
D	 Flat Washer Ø5/16"	10
E	 Ø5/16"	4
F	 Allen Key 4mm	1
G	 1/2"	1