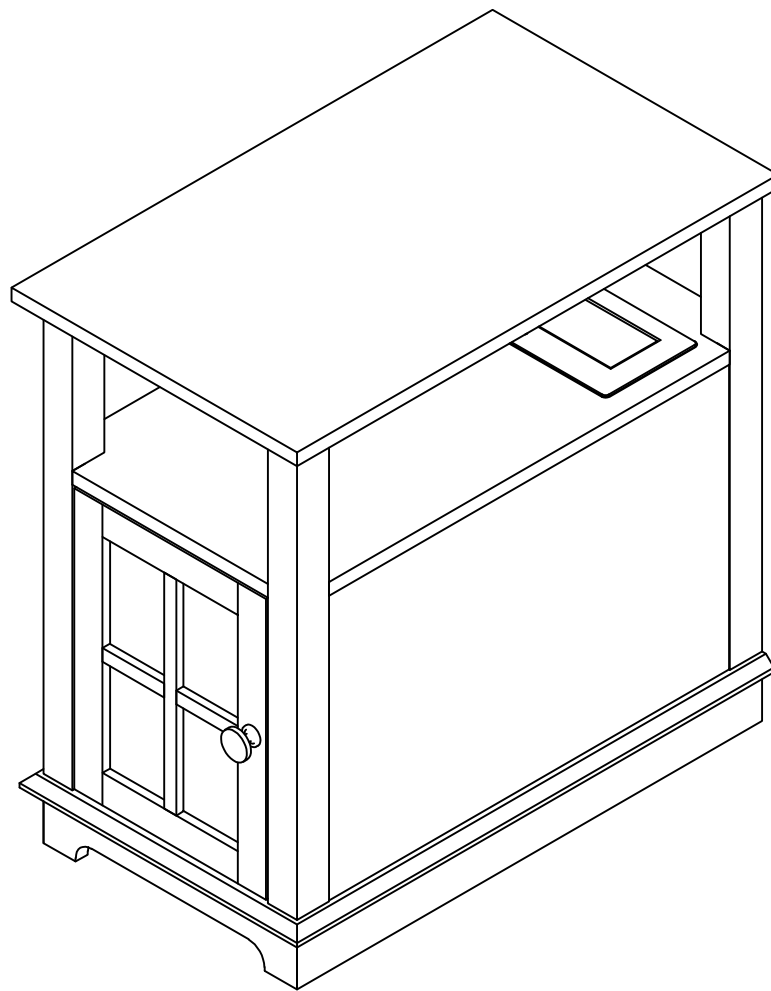


# User Manual

## End Tables



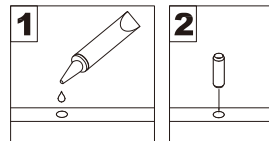
**Model:NT01-C**



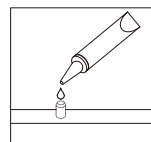
NT01 ASSEMBLY INSTRUCTIONS

# General Assembly Guidelines

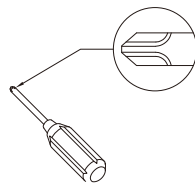
- I .Please ensure that all parts and hardware are available before assembly.
- II . Follow each step carefully to ensure the proper assembly of this product.
- III. For ease of assembly, two people are recommended to assemble this product.
- IV. The three main types of hardware are: wood dowels , screws and bolts.
- V . The glue is to secure wood dowels in place. When first inserting dowels, locate the appropriate hole for the dowel, and place a small amount of glue in the hole then insert the dowel. Please remember wipe away the excess glue immediately.



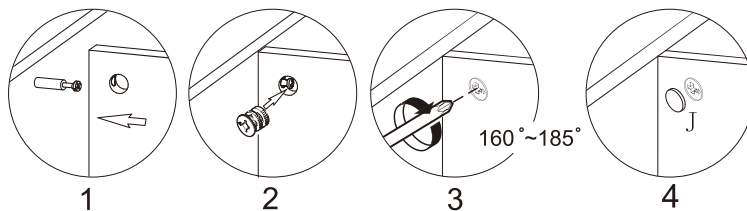
The dowels are necessary to attach assembly parts together in the following steps. Place a small amount of glue on the end of the dowel before attaching parts together. Please remember wipe away the excess glue immediately.



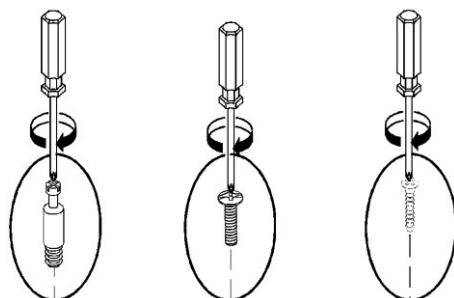
- VI. A Phillips head screwdriver is required for the assembly of this product.



- VII.Steps for assembly of three-in-one screws.

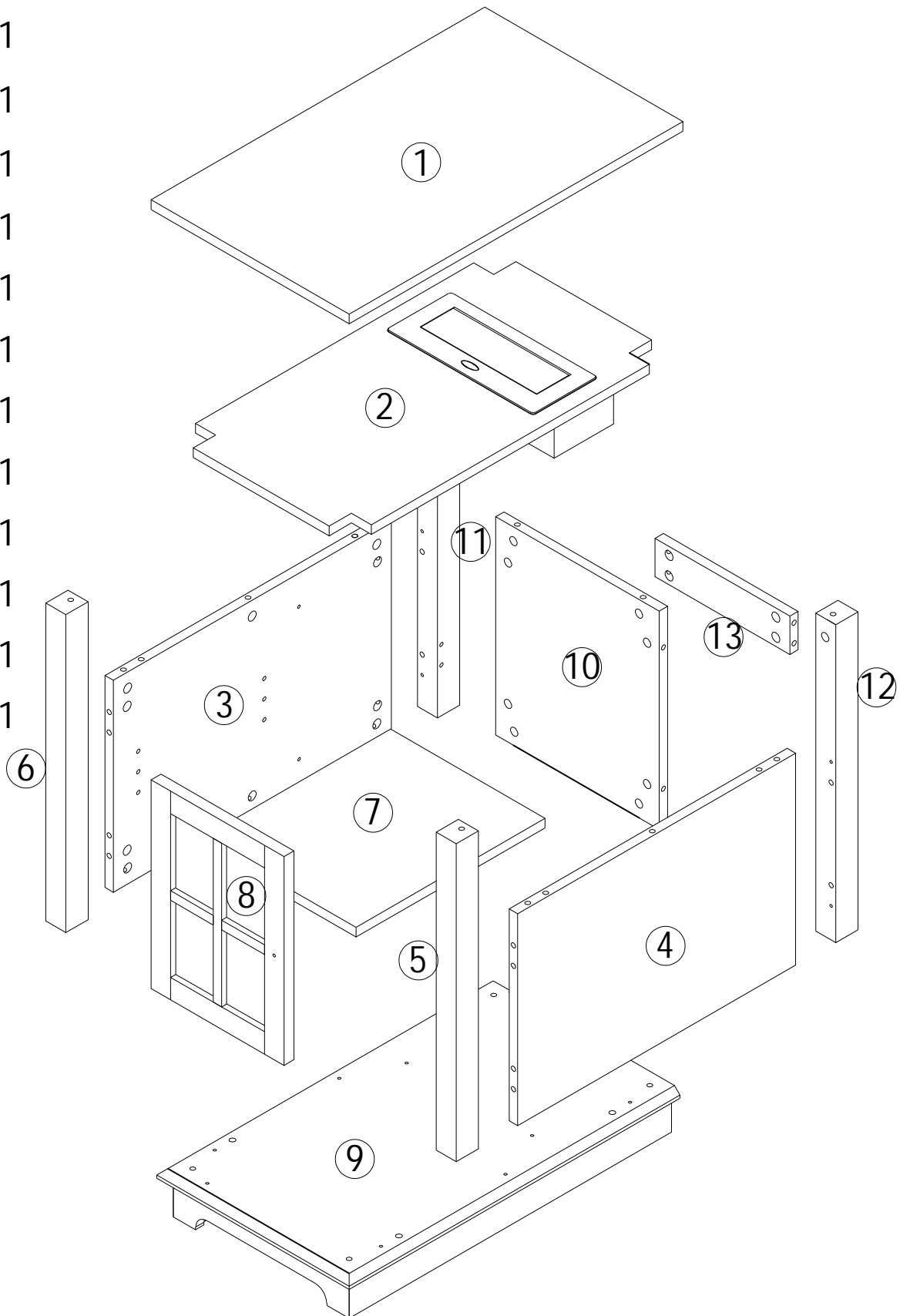


- VIII.Screw fixation diagram for all fittings.

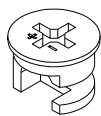


# Parts List

- ① x 1
- ② x 1
- ③ x 1
- ④ x 1
- ⑤ x 1
- ⑥ x 1
- ⑦ x 1
- ⑧ x 1
- ⑨ x 1
- ⑩ x 1
- ⑪ x 1
- ⑫ x 1
- ⑬ x 1

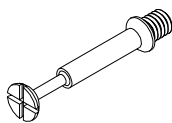


# Hardware List

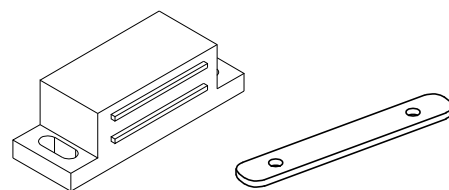


Ø15

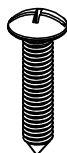
A x 36+1pcs



B x 36+1pcs

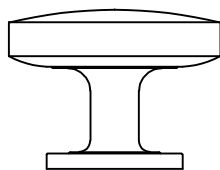


C x 1pc+1pc



Ø2.9\*14mm

D x 4pcs

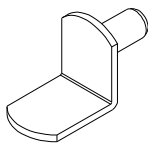


E x 1pc

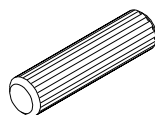


Ø5/32"\*22mm

F x 1pc

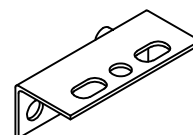


G x 4pcs

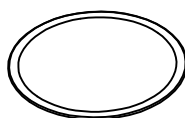


Ø8\*30mm

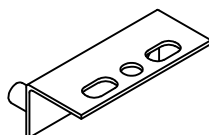
H x 20+1pcs



I x 1pc



J x 16+1pcs

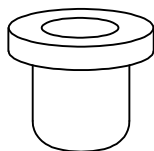


K x 1pc

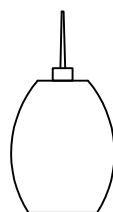


Ø3.9\*15mm

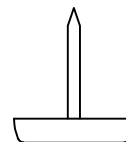
L x 4pcs



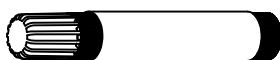
M x 2pcs



N x 1pc

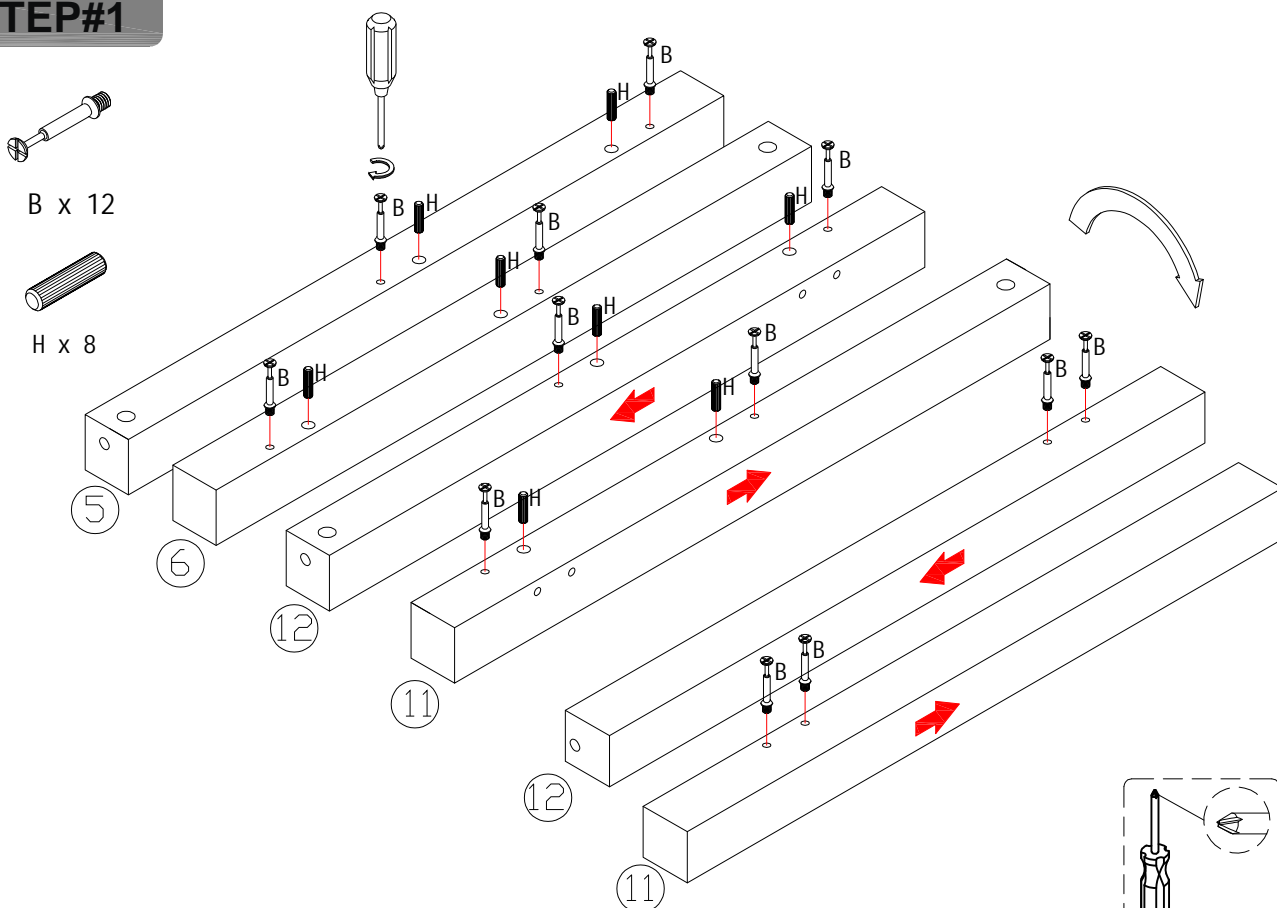


O x 4pcs



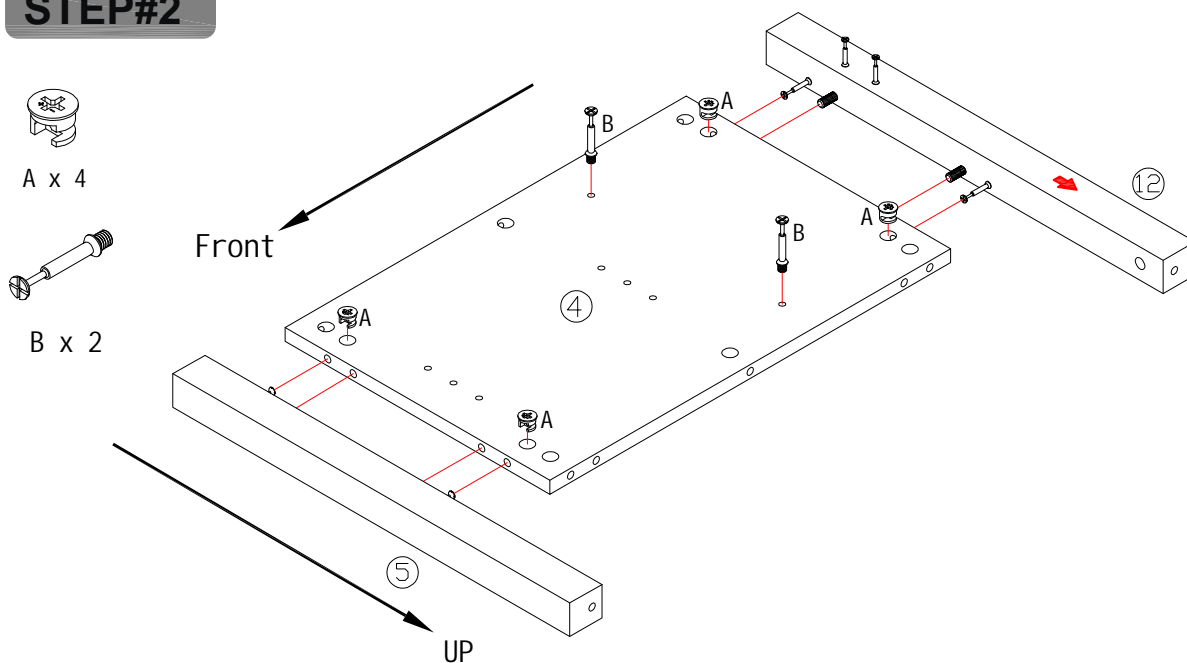
x 1pc

## STEP#1

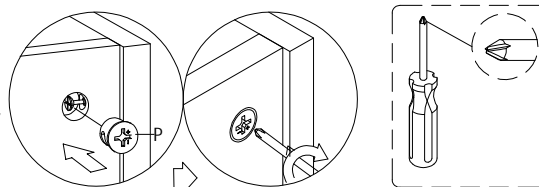


Attach (B) and (H) to parts (5)、(6)、(11)、(12)、.

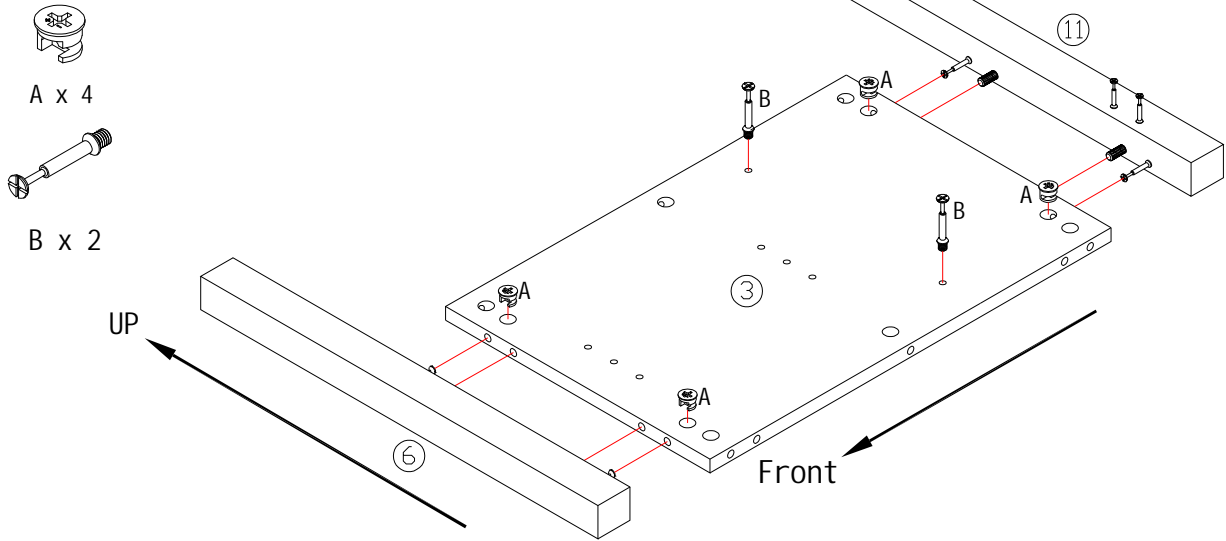
## STEP#2



- 1, Attach parts (5) and (12) to part (4)
- 2, Attach (A) to fully assembled part (4).
- 3, Rotate (A) 160°~180° and tighten it with a screwdriver according to the following picture on the right.



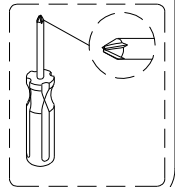
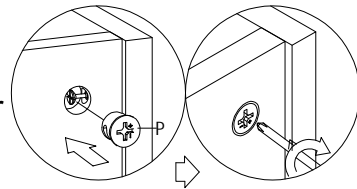
### STEP#3



A x 4

B x 2

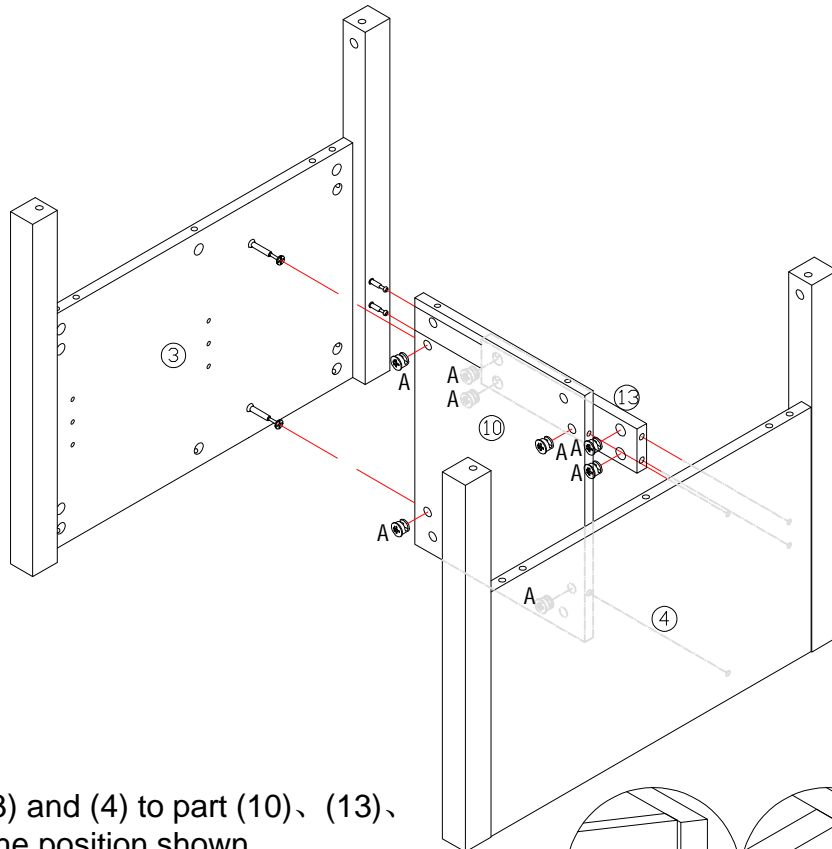
- 1, Attach parts (6) and (11) to part (3)
- 2, Attach (A) to fully assembled part (3).
- 3, Rotate (A)  $160^{\circ}$ ~ $180^{\circ}$  and tighten it with a screwdriver according to the following picture on the right.



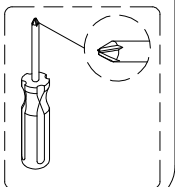
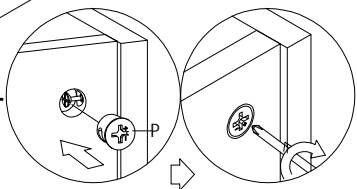
### STEP#4



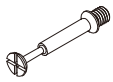
A x 8



- 1, Attach parts (3) and (4) to part (10), (13),
- 2, Place (A) in the position shown.
- 3, Rotate (A)  $160^{\circ}$ ~ $180^{\circ}$  and tighten it with a screwdriver according to the following picture on the right.



## STEP#5



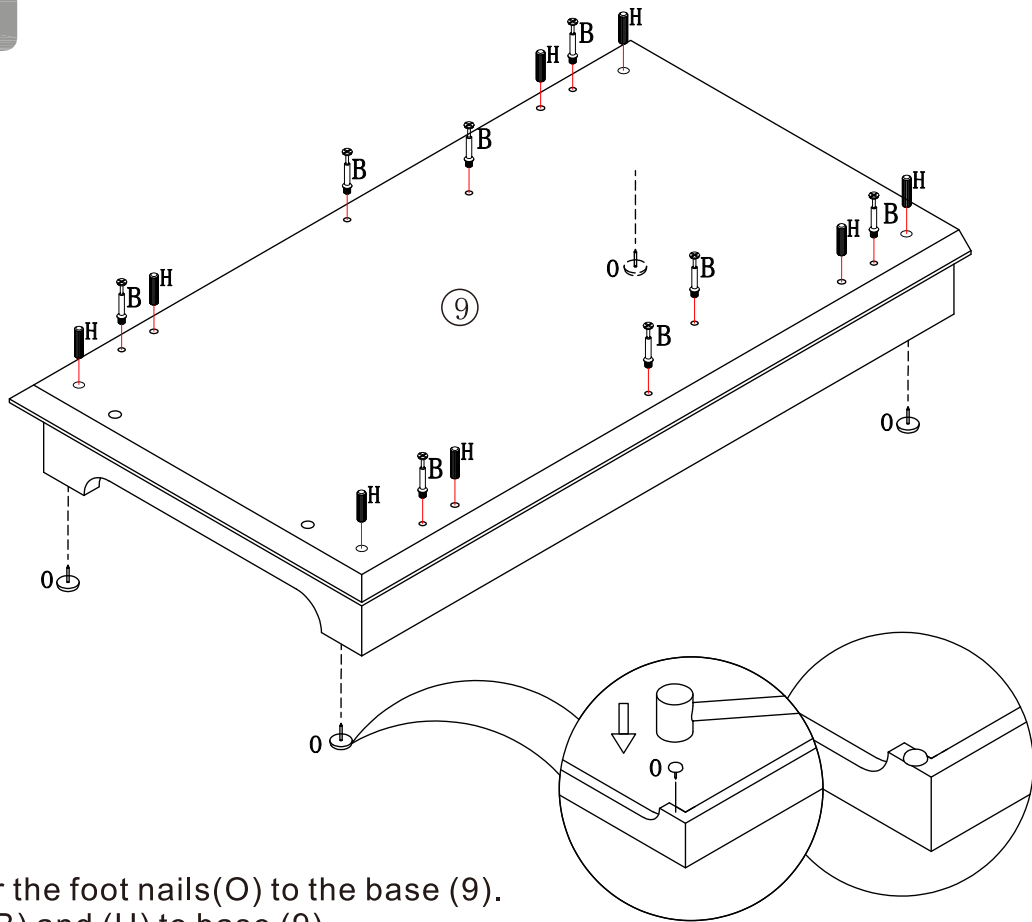
B x 8



H x 8



O x 4

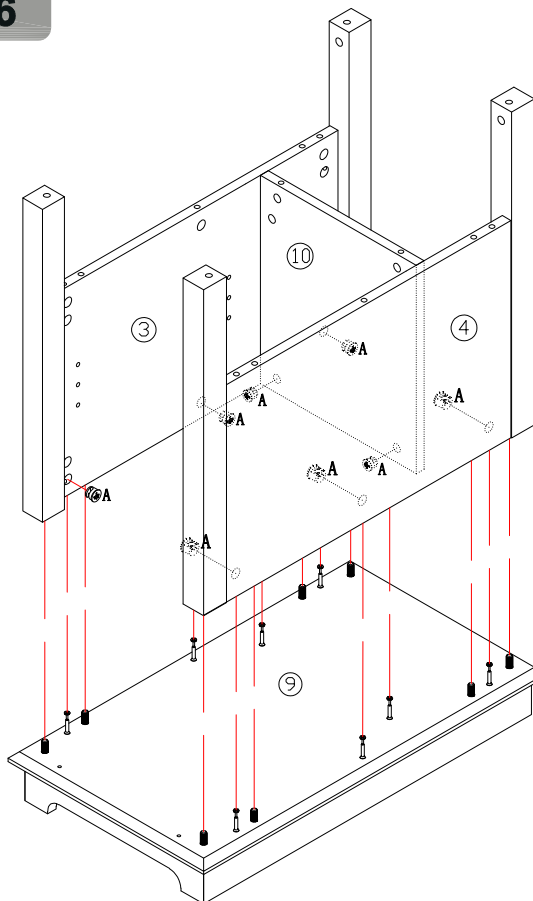


- 1、Hammer the foot nails(O) to the base (9).
- 2、Attach (B) and (H) to base (9).

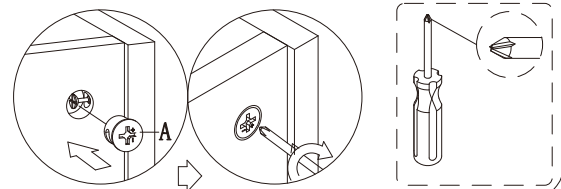
## STEP#6



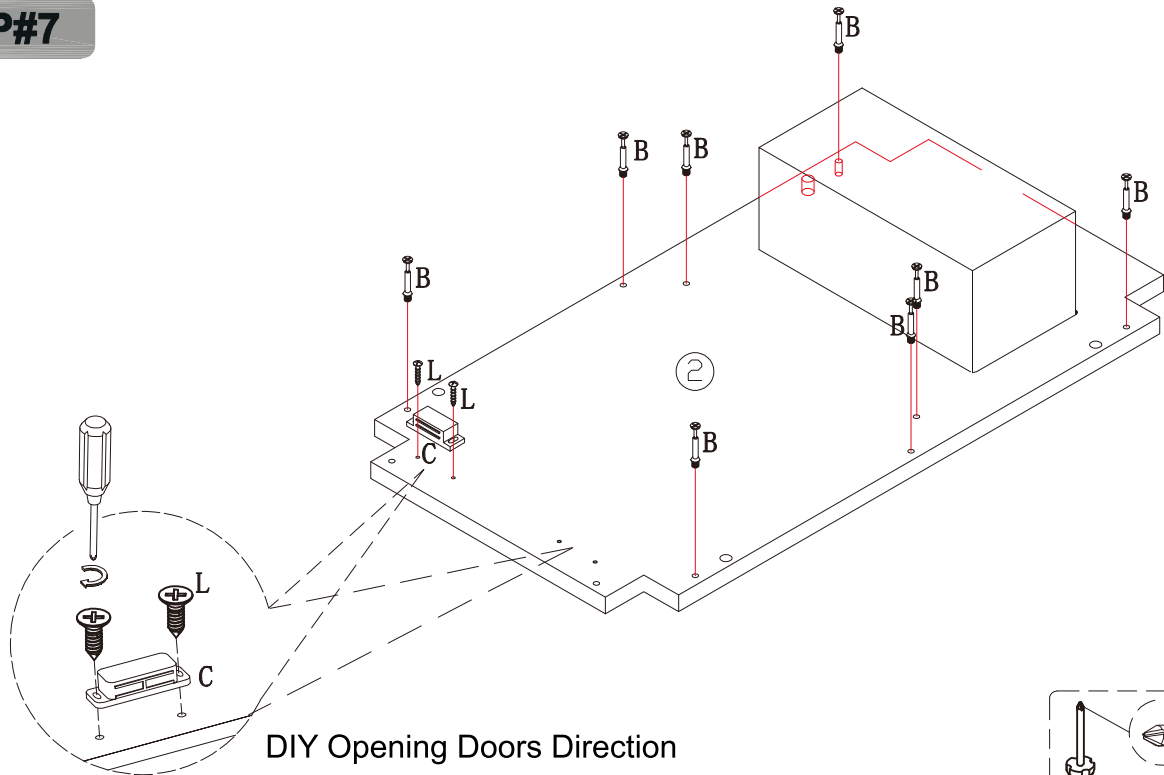
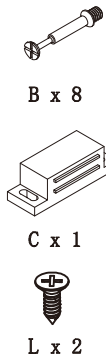
A x 8



- 1, Attach part(3)(4)(10) to part(9) as shown in the figure
- 2, Place (A) in the position shown.
- 3, Rotate (A) 160°~180° and tighten it with a screwdriver according to the following picture on the bottom

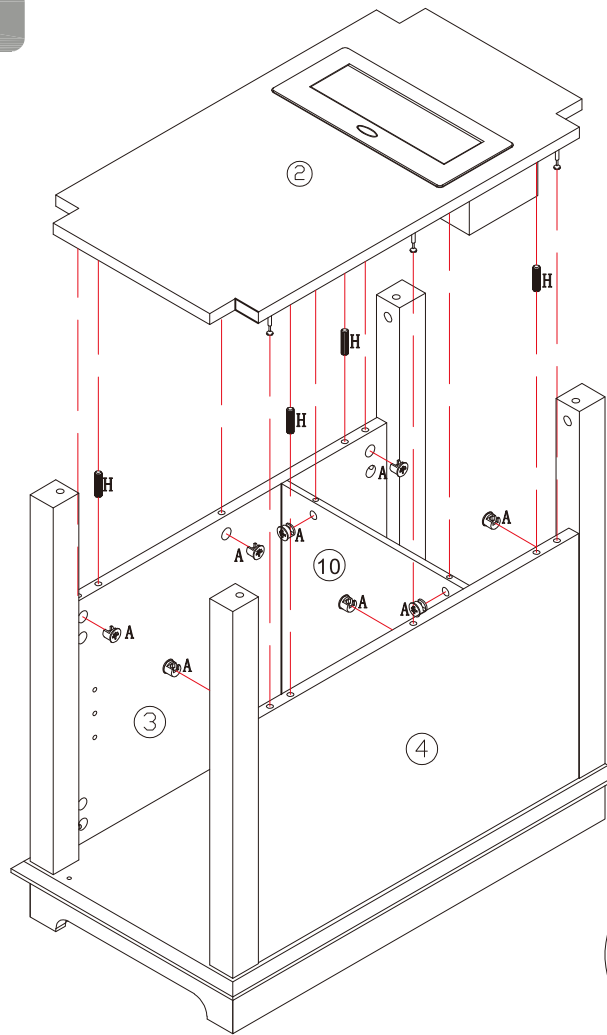


## STEP#7

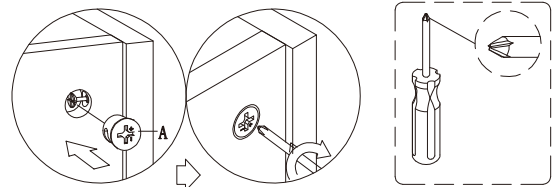


- 1, Attach (B) to part(2) as shown in the figure.
- 2, Attach (C) to designated areas by using screws (L).

## STEP#8



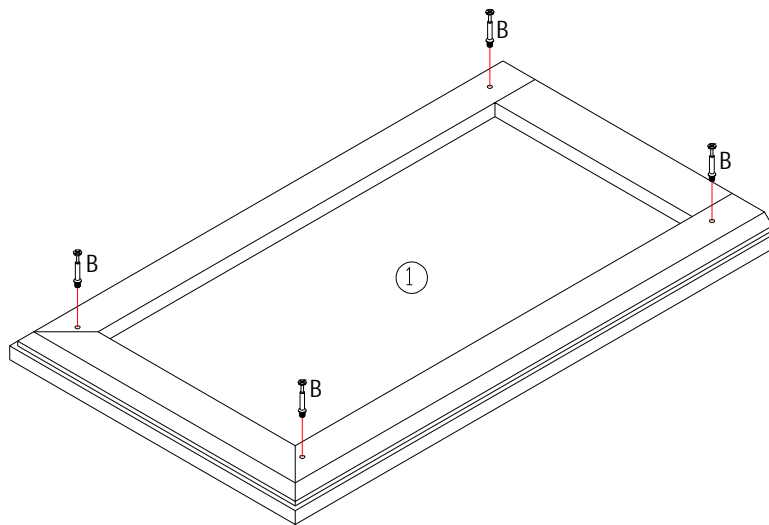
- 1, Attach (H) to part(3) and (4) as shown in the figure.
- 2, Attach part(2) to part(3), (4) and (10).
- 3, Place (A) in the position shown.
- 4, Rotate (A) 160°~180° and tighten it with a screwdriver according to the following picture on the bottom



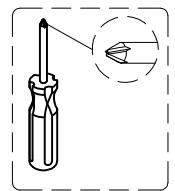
## STEP#9



B x 4



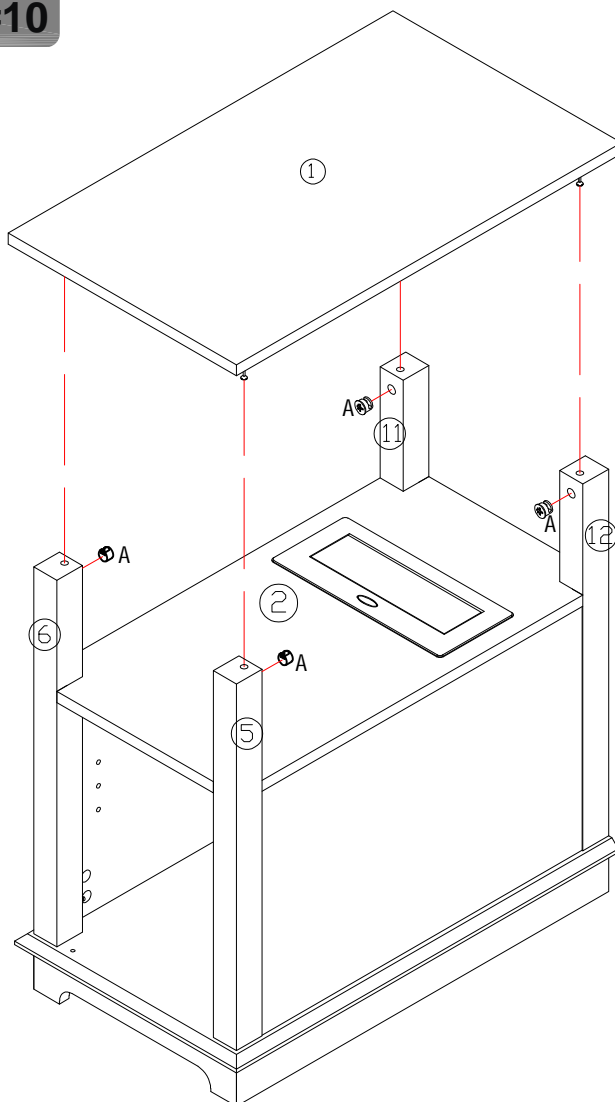
Attach (B) to parts (1).



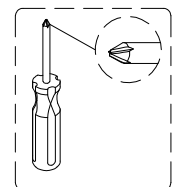
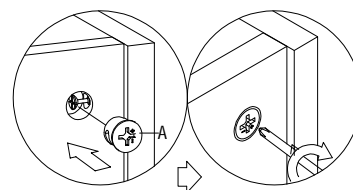
## STEP#10



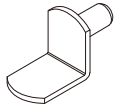
A x 4



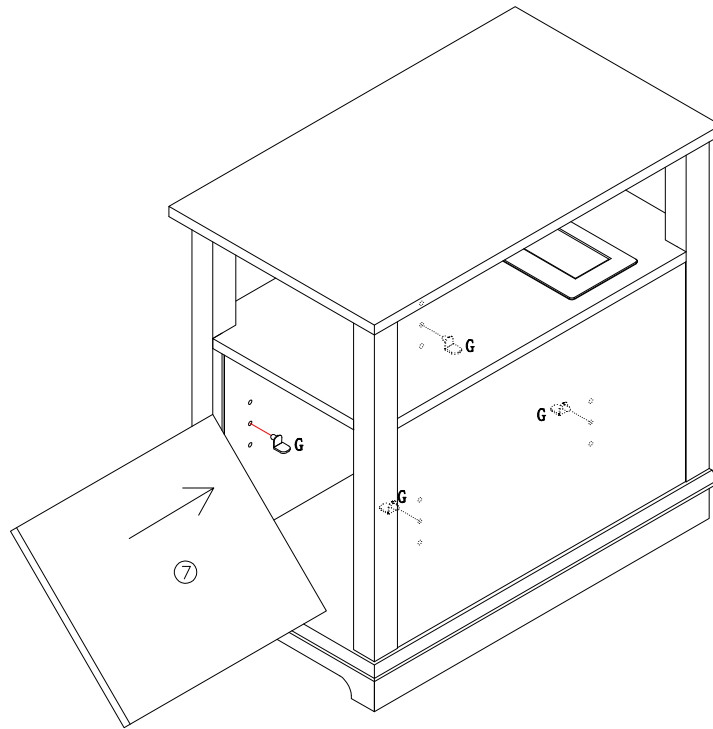
- 1, Attach part(1) to part (5) and (6).
- 2, Place (A) in the position shown.
- 3, Rotate (A) 160°~180° and tighten it with a screwdriver according to the following picture on the right.



## STEP#11



G x 4



Insert shelf supports (G) and place shelves (7) as shown in the diagram.

## STEP#12



C x 1



D x 2



E x 1



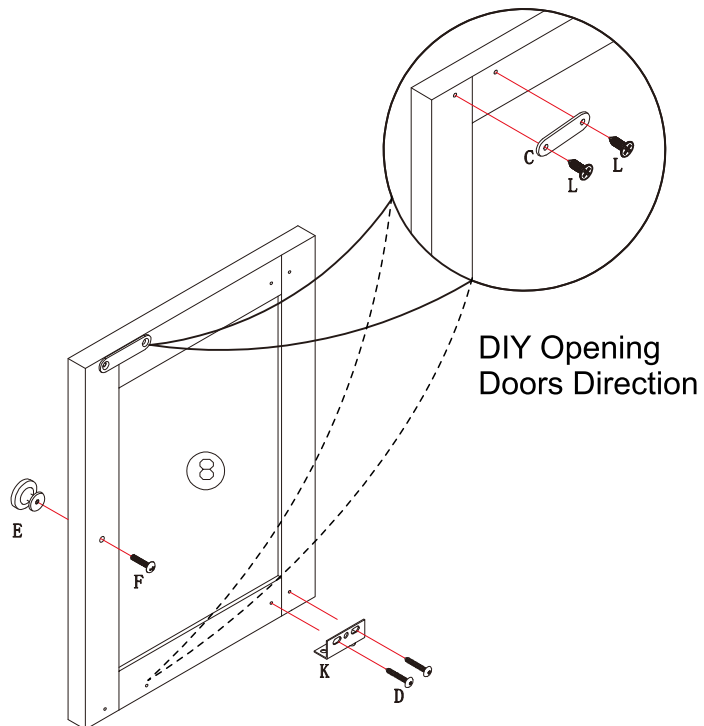
F x 1



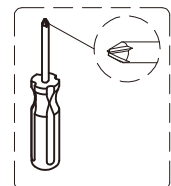
K x 1



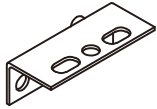
L x 2



- 1, Attach (C) to part(8) by used screw(L).
- 2, Attach (E) to part(8) by used screw(F).
- 3, Attach (K) to part(8) by used screw(D)



### STEP#13



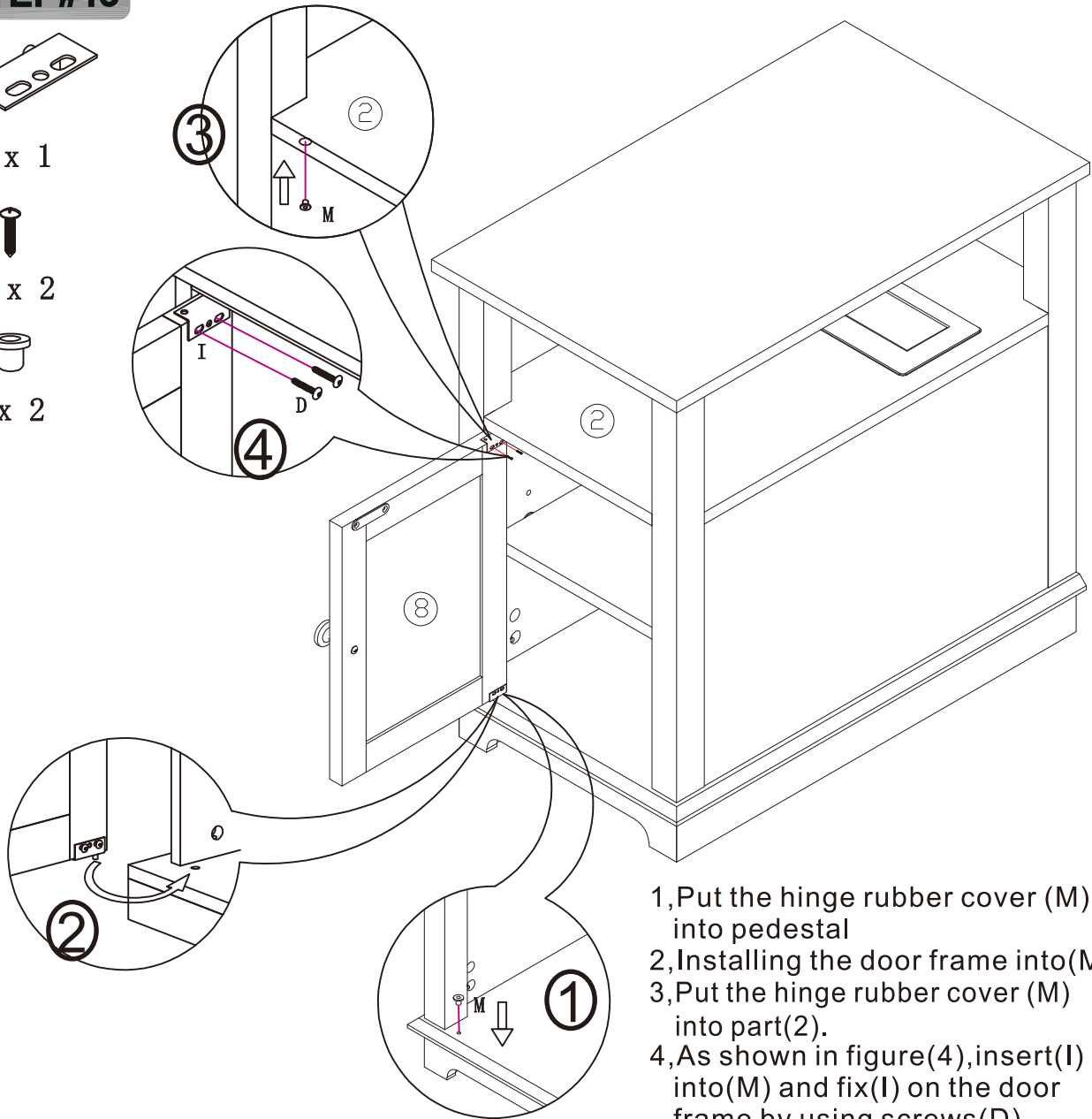
I x 1



D x 2



M x 2

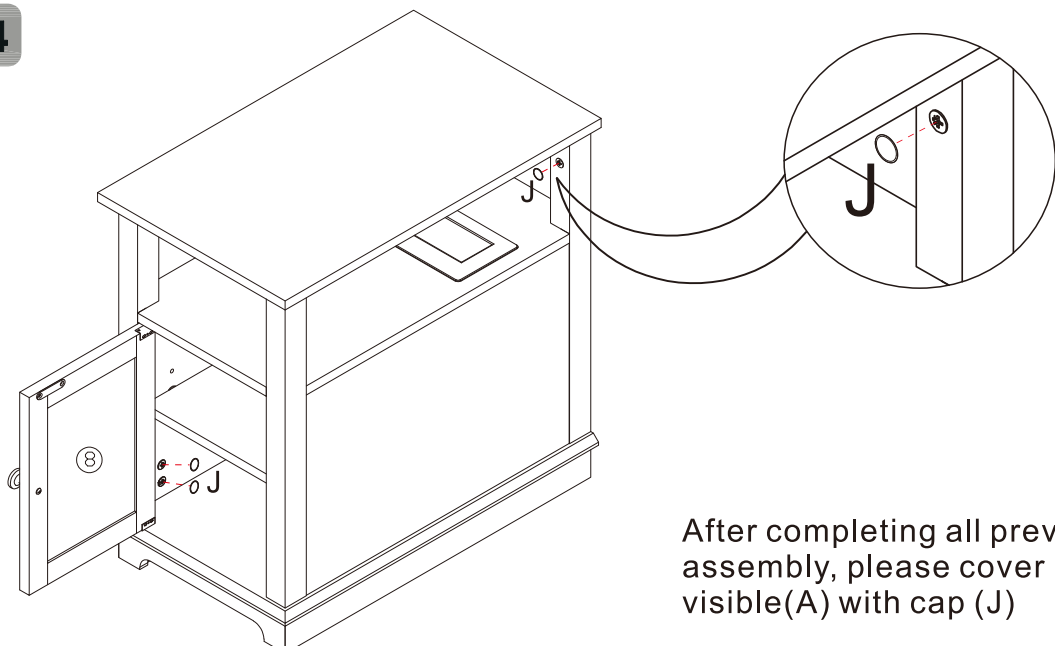


- 1, Put the hinge rubber cover (M) into pedestal
- 2, Installing the door frame into(M).
- 3, Put the hinge rubber cover (M) into part(2).
- 4, As shown in figure(4), insert(I) into(M) and fix(I) on the door frame by using screws(D)

### STEP#14



J x 16 pcs



After completing all previous assembly, please cover visible(A) with cap (J)

# WARRANTY CARD

## 🔗 Your warranty includes

- **30 Days Money Back Guaranty**  
Within the first 30 days of your purchase, you are allowed to return your product for a full refund.
- **30 Days to 3 Months(6 Months)**  
We will replace the defective unit due to manufacturer fault with a new one. (You will receive extra 3 Months warranty if you register on our website.)
- **3 Months to 24 Months**  
Within 24 Months, we will provide timely and effective online after-sales service after your purchase.

## 🔗 How to return your Orfeld Products

- Contact [Aftersales@bowentech.cn](mailto:Aftersales@bowentech.cn) with your order number.
- We will issue you RMA # and return address for your return.
- Please fill out RMA info, tear off this page and leave it inside your return package.
- We will issue replace / return after receiving your return.

## 🔗 Return product details

To get your returns processed as quickly as possible, please fill this form and include it in your return package.

Purchase Name	
Order Number	
Date of Purchase	
Your Email Address	
Where did you buy it	

\* If your product is purchased from Amazon Fulfilled channel, please contact Amazon for your return within 30 days of purchase.

Email: [Aftersales@bowentech.cn](mailto:Aftersales@bowentech.cn)

MADE IN CHINA

