

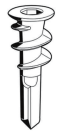


MOUNTING INSTRUCTIONS

Contents:

		
Mirror X1	Screw X2	Anchor X2



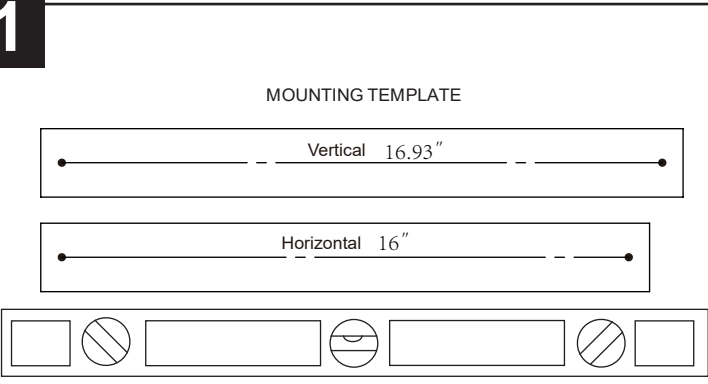
Missing Hardware: The parts are been carefully packed within a red bag and inserted in the styrofoam. Please check again in case you do not find the parts. If your order indeed arrives missing hardware, please do not worry, and feel free to reach out to us for help, we will ship you the replacement ASAP.

Questions, problems, missing parts?

The hardware included with this item is meant for dry wall mounting only. If other wall types, please consult your local hardware store for assistance

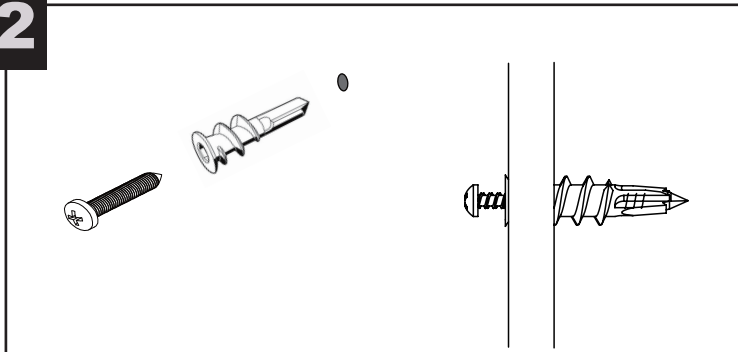
1

MOUNTING TEMPLATE



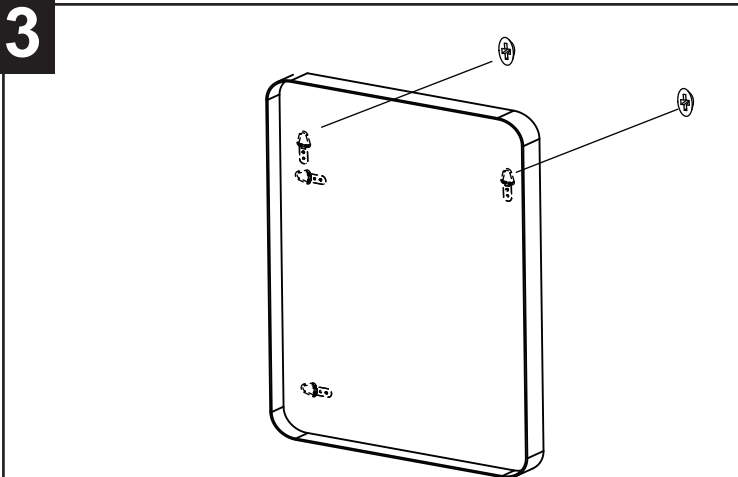
Paste the **position map** horizontally on the position to be installed and mark it with a pencil.

2



Drill two 1/8" pilot holes in wall for each **Plate**.
Screw the plastic **Anchors** into the holes until flush.
Screw the screws into Anchors until 1/4" from wall.

3



Cleaning

Avoid using commercial or abrasive cleaners. Using only a soft damp cloth will preserve the finish.