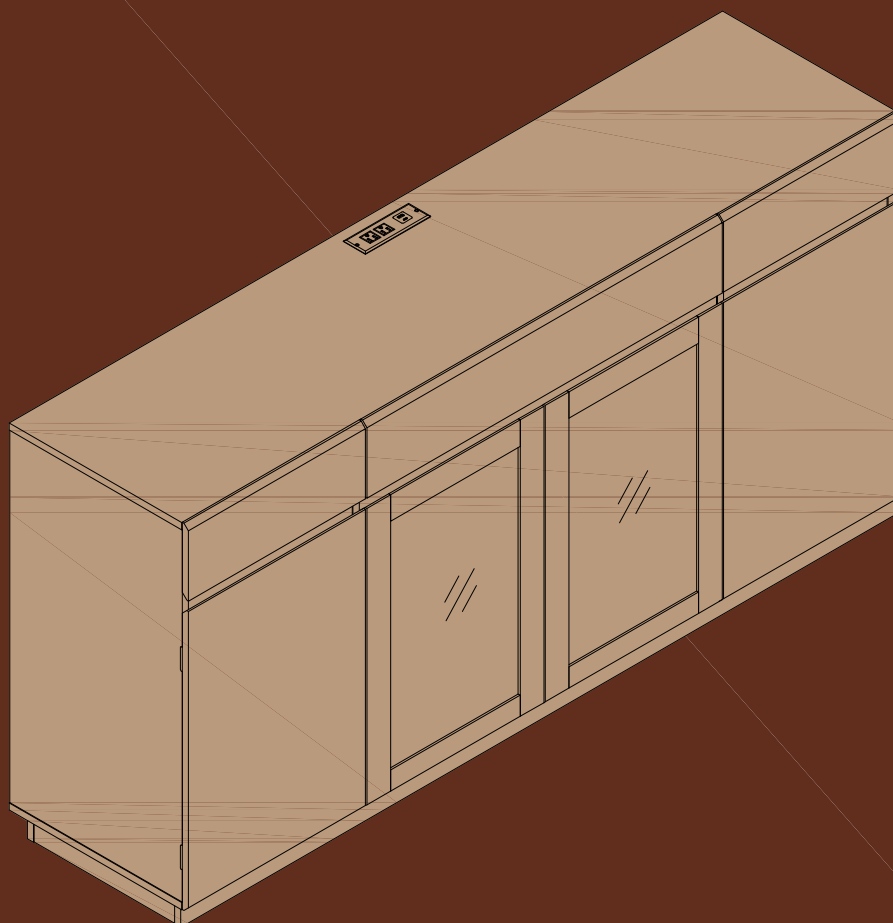




ModernMate

ASSEMBLY INSTRUCTION



Side Board



INTRODUCTION

Thank you for purchasing our products. Please read the instructions carefully before installation and keep it in a safe place for future reference. If you need any assistance or support, please feel free to contact our customer support team.

PRECAUTIONS

1. There are many components and accessories in the package. Each component and accessory is labeled with a letter or a number, check carefully before using any of them. Keep them away from children to prevent accidents.
2. Please install the product on a clean and soft underlay (such as carpet or cardboard) to avoid scratching or damaging the surface of the product.
3. The main components of the product is relatively heavy. Please pay attention to safety during installation.
4. The product is not stable during installation. Please do not move it randomly before it is completely installed.
5. If you have any questions during installation, please contact the customer service in time.

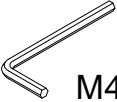






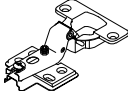



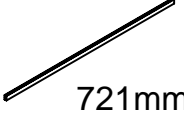
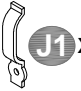


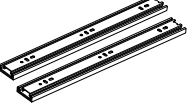
- * Please be sure to follow the installation steps in the manual to avoid unnecessary losses caused by improper installation.
- * If you need further assistance, please contact the customer service online

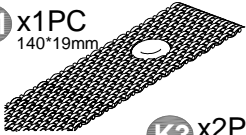
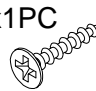


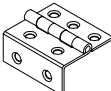

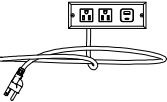




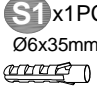



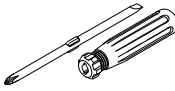

Parts List

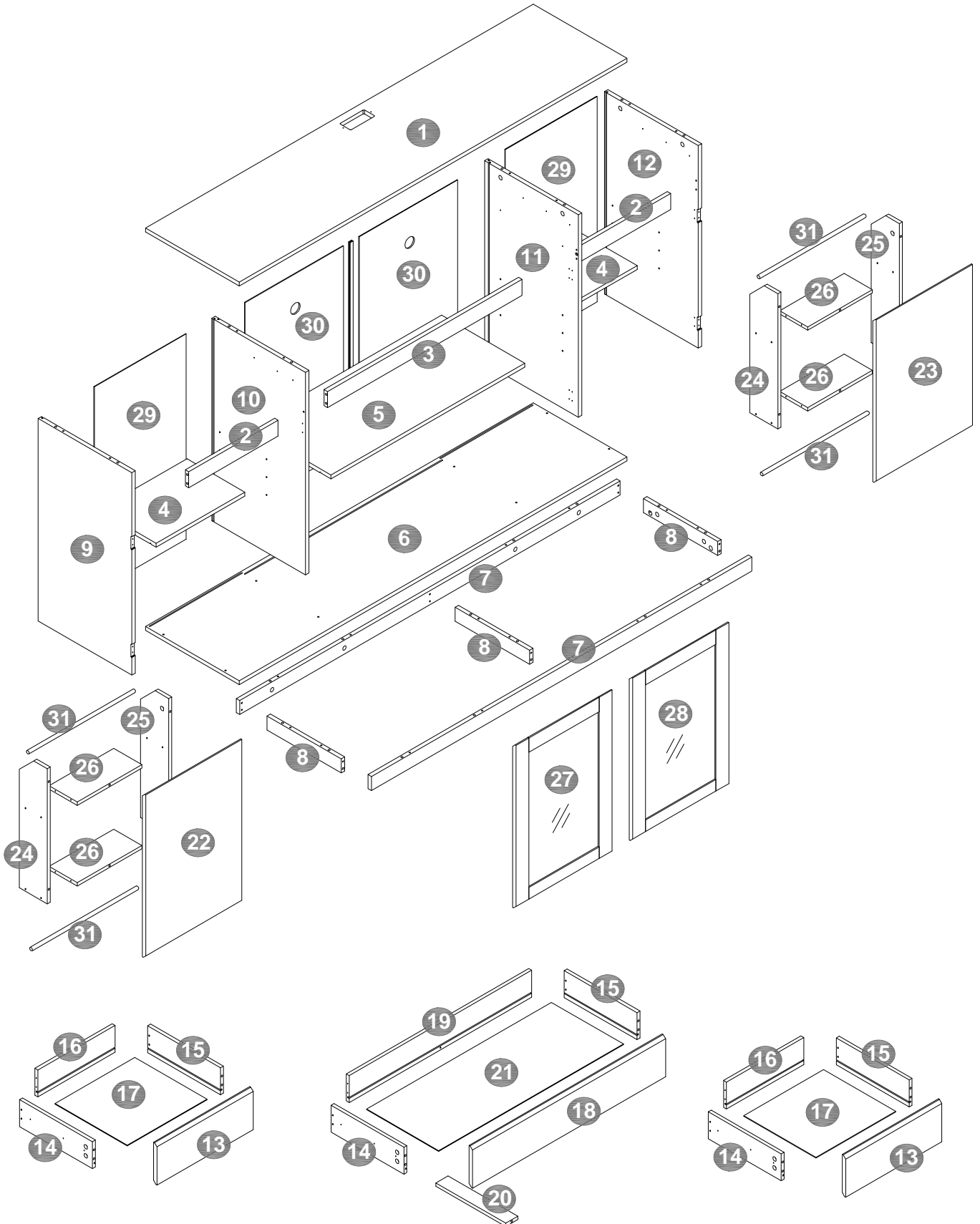
ID	Parts	QTY
1		1
2		2
3		1
4		2
5		1
6		1
7		2
8		3
9		1
10		1

ID	Parts	QTY
11		1
12		1
13		2
14		3
15		3
16		2
17		2
18		1
19		1
20		1

Hardware List

ID	Parts	QTY
A	 M4	1PC
B	 	61+3 Sets
C	 Ø6x30mm	28+2 PCS
D	  D1 x1PC D2 x1PC	2 Sets
E	 M3.5*12mm	66+3 PCS
F		4 PCS
G1		12+2 PCS
G2	 M3*16mm	16+2 PCS
H	 M5*46mm	10+1 PCS
I	 721mm	1PC
J	  J1 x1PC J2 x1PC  M3*12mm	6 Sets
L		3 Sets

ID	Parts	QTY
K	 K1 x1PC 140*19mm  K2 x1PC Ø8xM4x16mm  K3 x2PCS Ø16xØ6.5x1mm	2 Sets
M	 M4*30mm	29+1 PCS
N		4 PCS
O		12+1 PCS
P		1 PC
Q	 M3.5*14mm	28+2 PCS
R	   R1 R2 R3	1 Set
S	 S1 x1PC Ø6x35mm  S2 x1PC Ø13x40mm  S3 x1PC Ø8xM4x35mm	2 Sets
T		6 PCS
U		1PC
W	 Ø21	8PCS

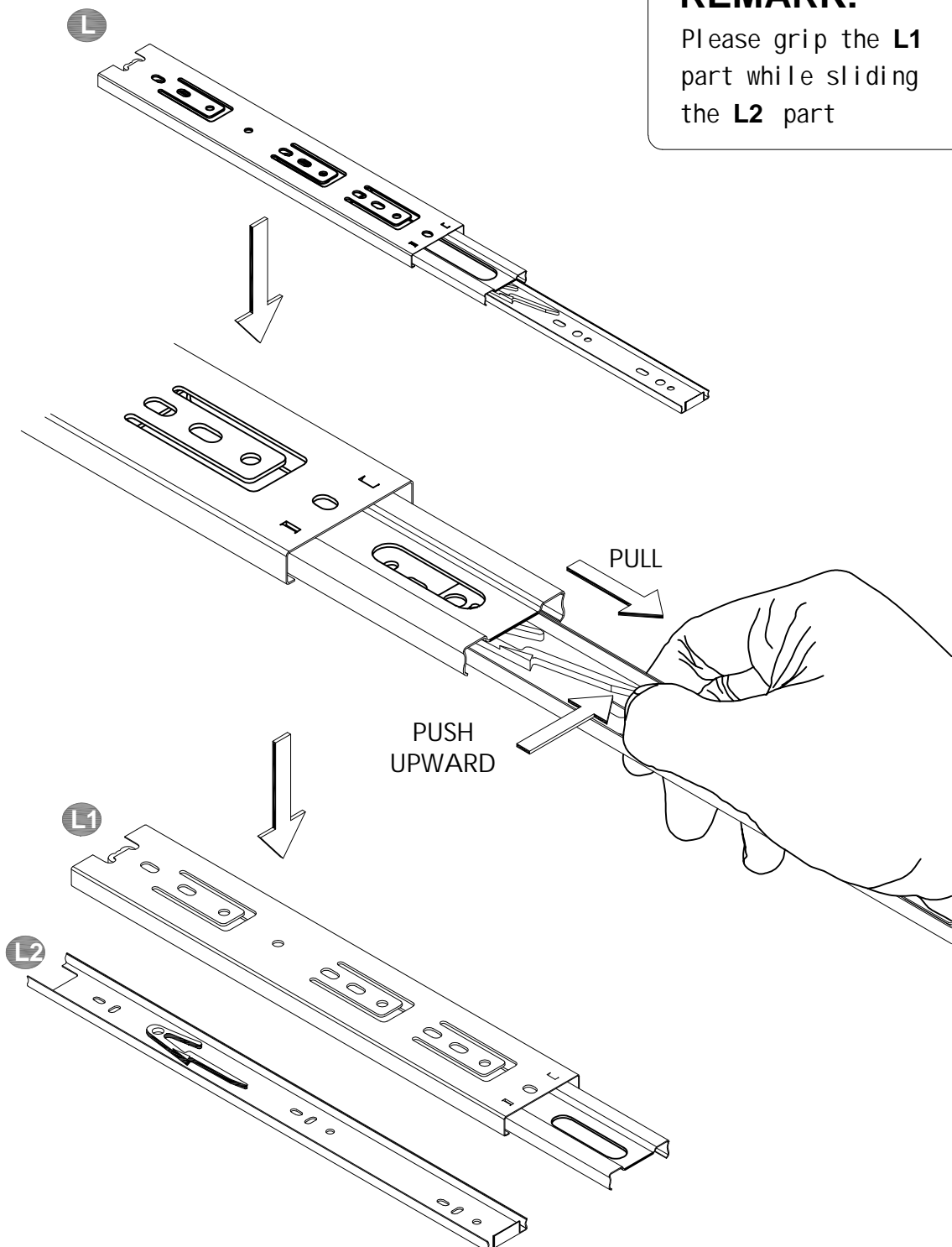


INSTALLATION STEPS

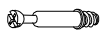


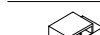
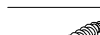
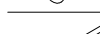
Press the plastic part in the indicated direction to separate drawer runner L1 and L2 before assembling.

REMARK:

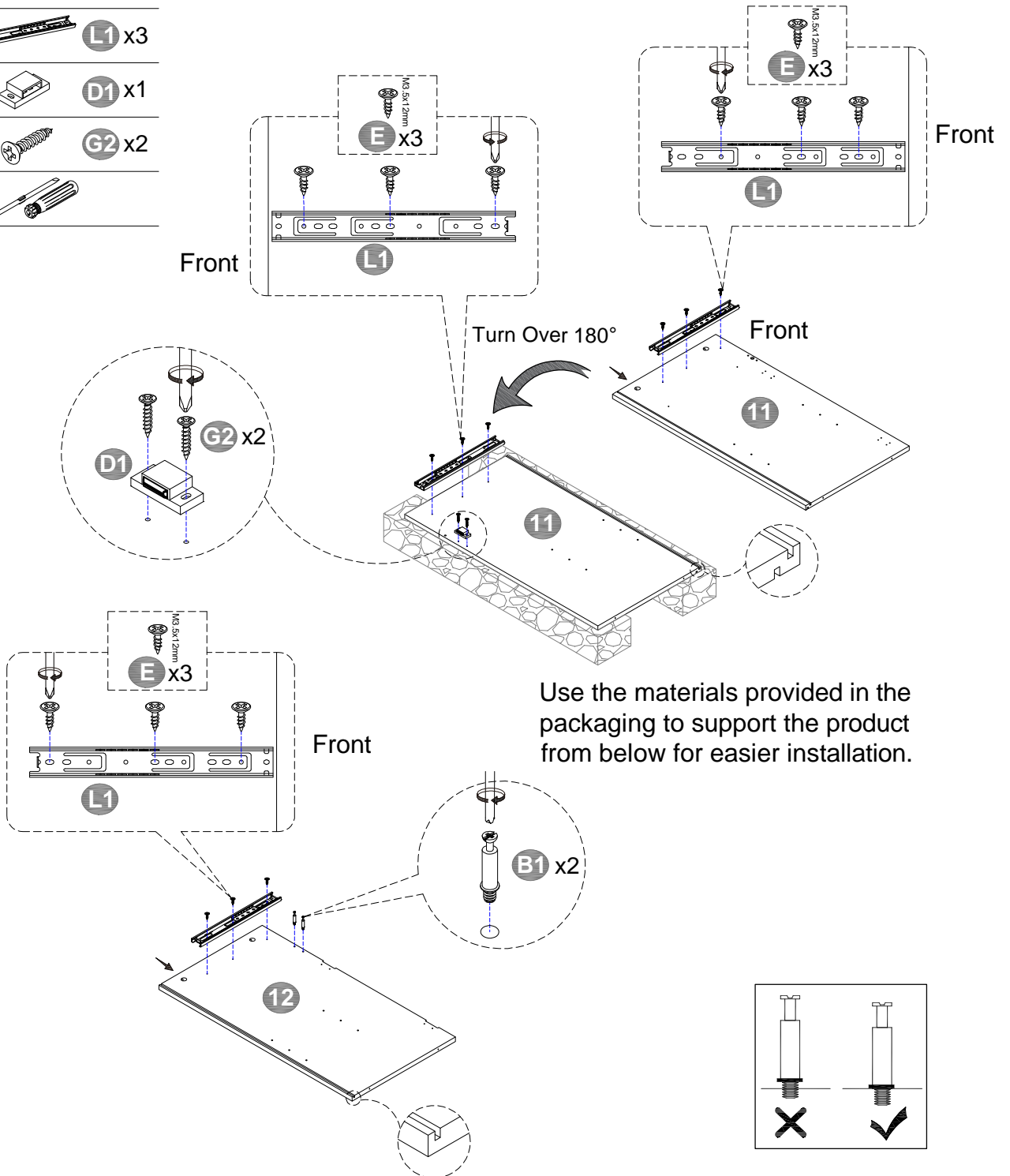
Please grip the **L1** part while sliding the **L2** part



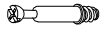
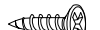

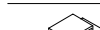
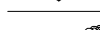
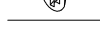
STEP 1

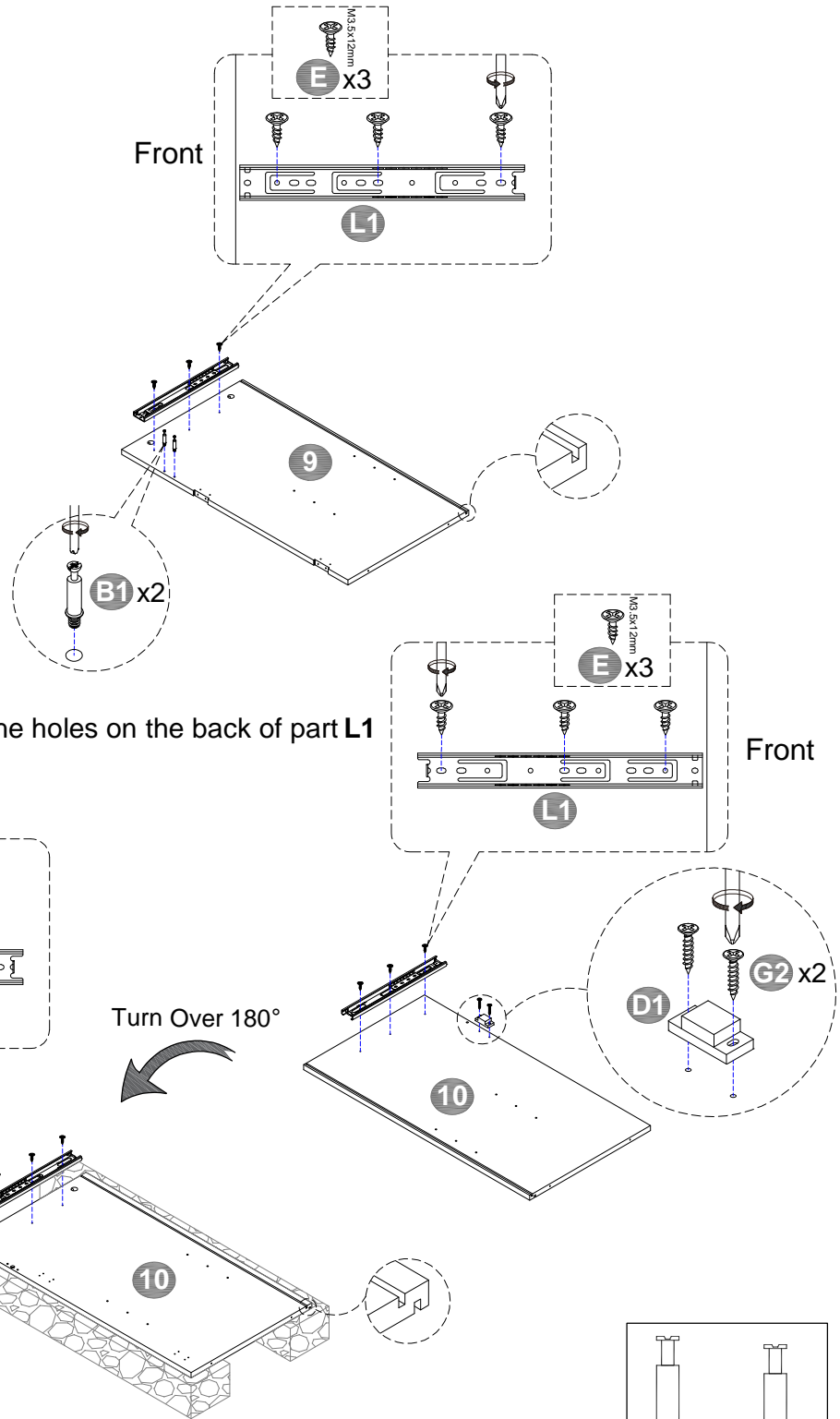
-  **B1** x2
-  **E** x9
-  **L1** x3
-  **D1** x1
-  **G2** x2
- 

ATTENTION: Please locate the holes on the back of part **L1**



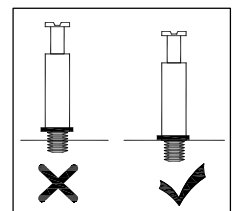
STEP 2

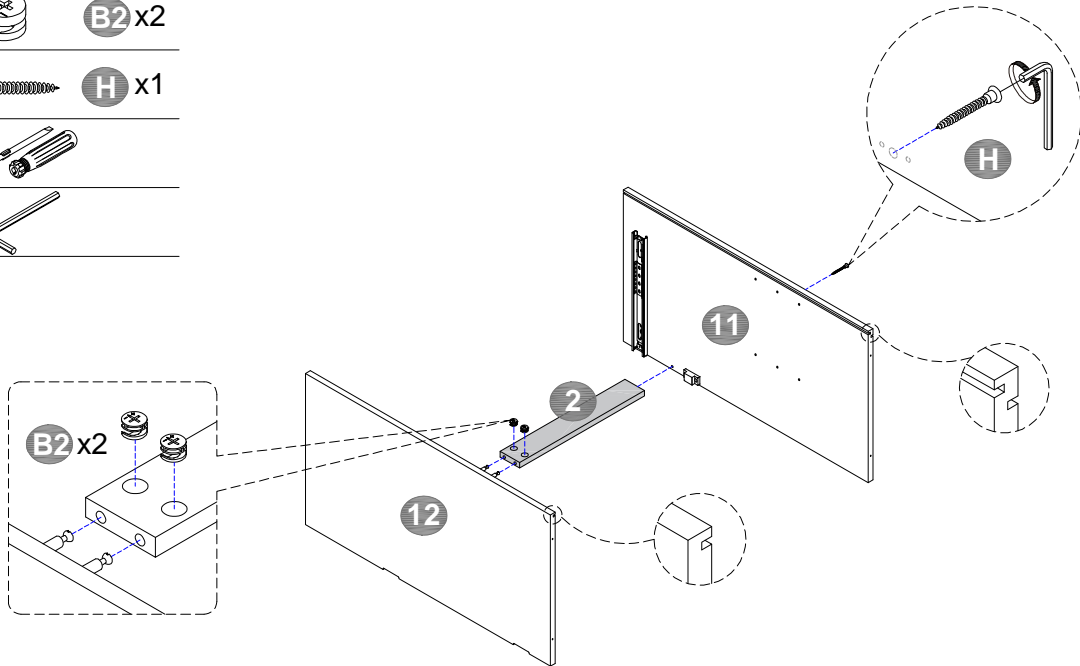
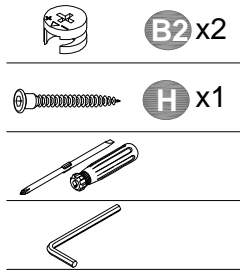
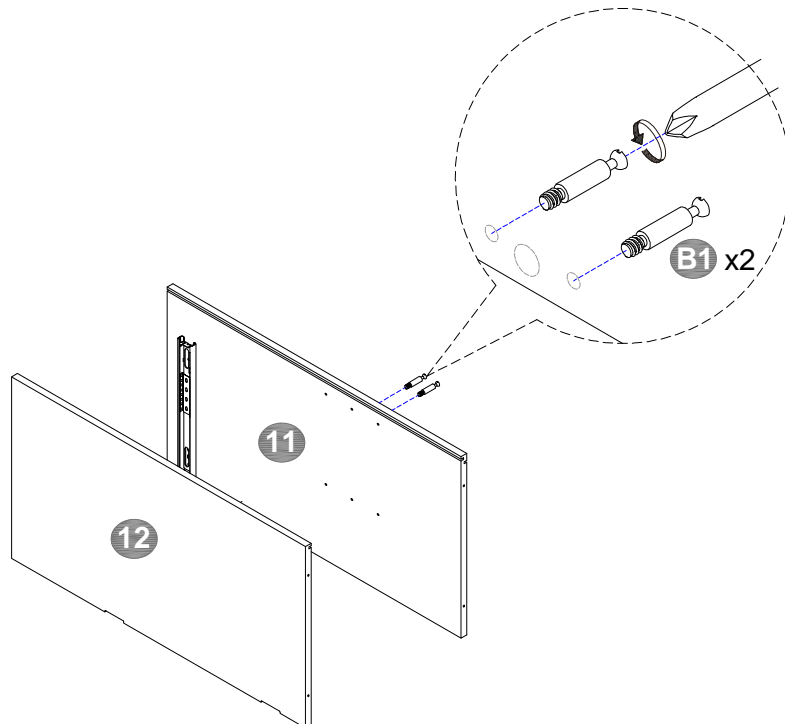
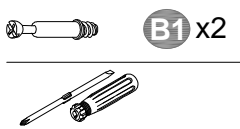
-  **B1** x2
-  **E** x9
-  **L1** x3
-  **D1** x1
-  **G2** x2
- 

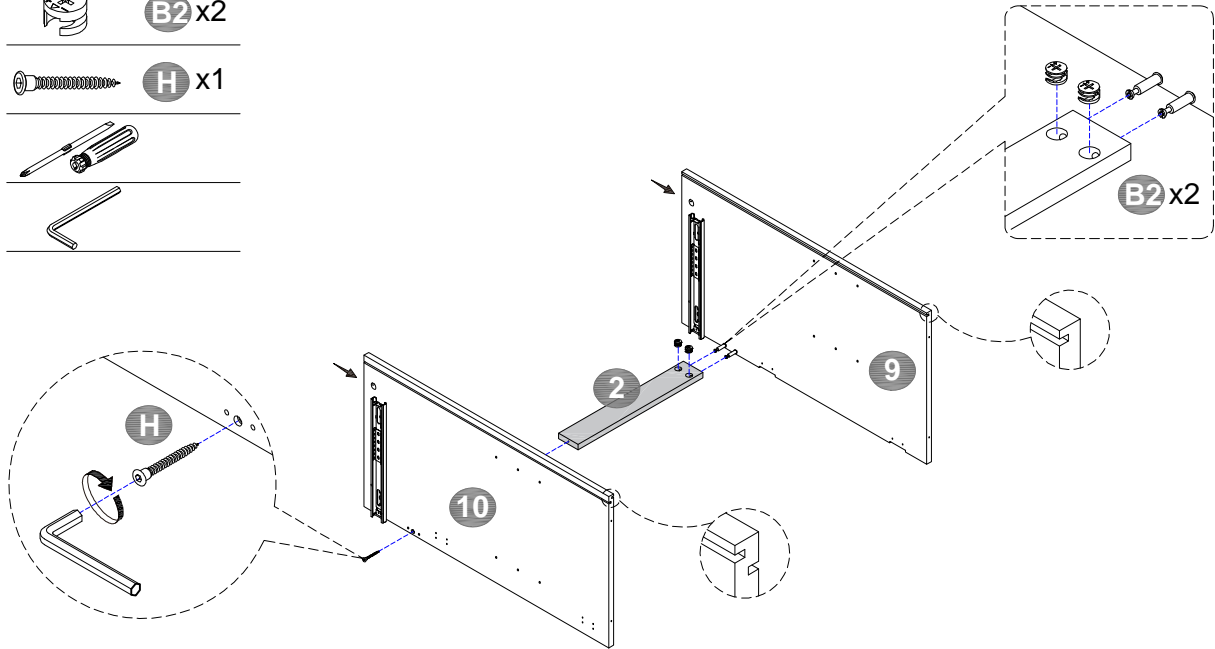
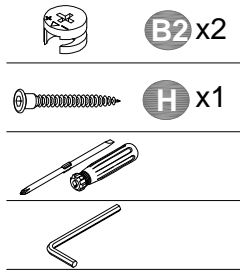
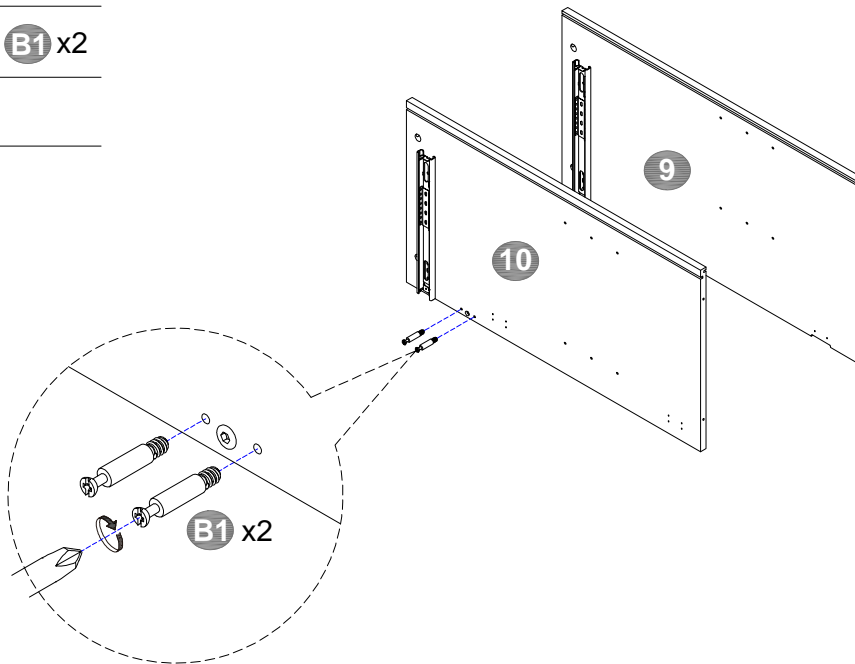
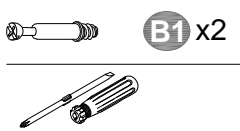


ATTENTION: Please locate the holes on the back of part L1

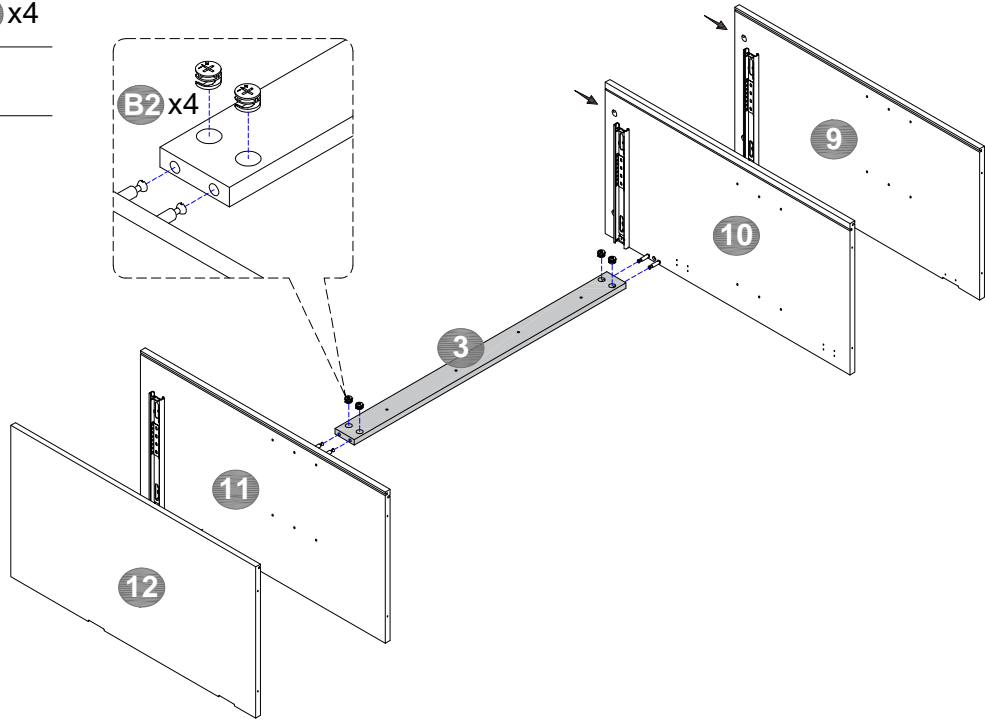
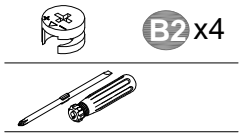
Use the materials provided in the packaging to support the product from below for easier installation.



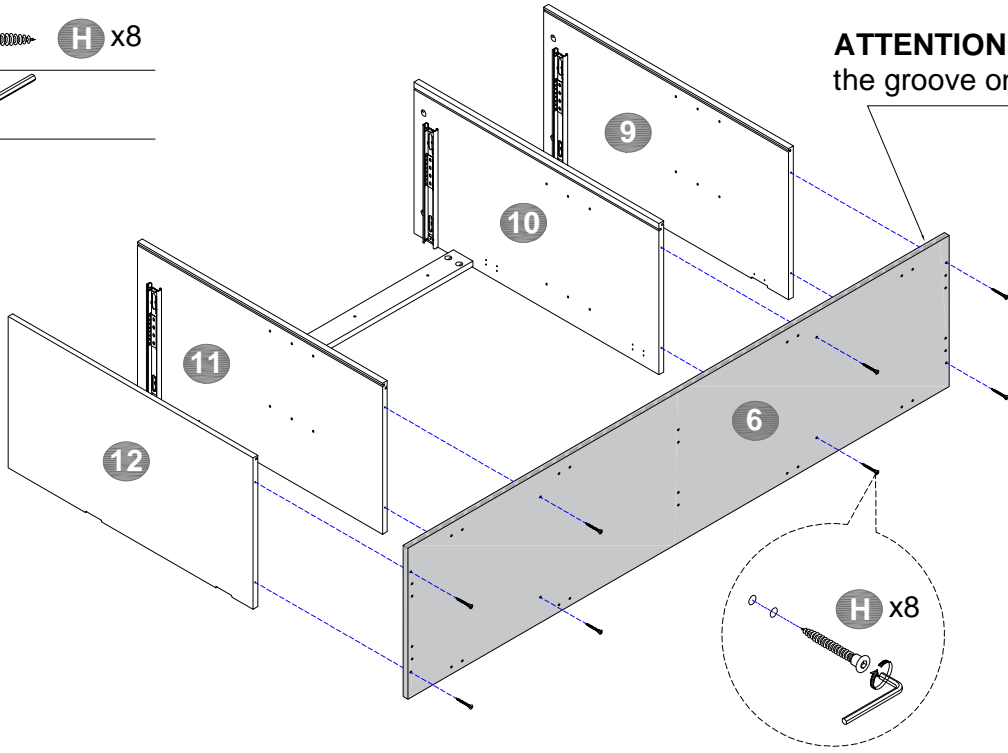
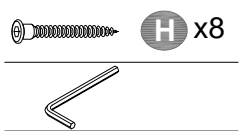
STEP 3**STEP 4**

STEP 5**STEP 6**

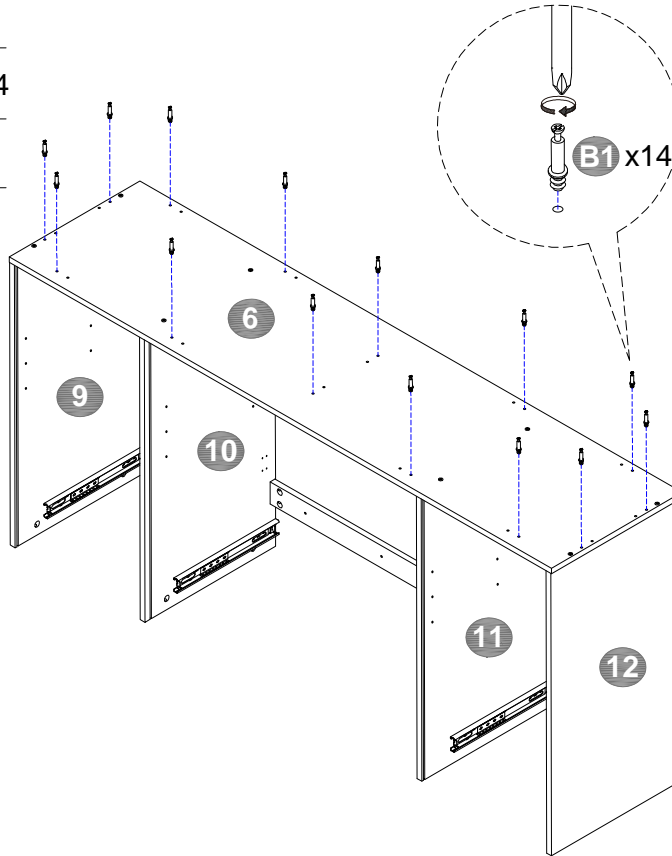
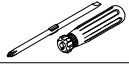
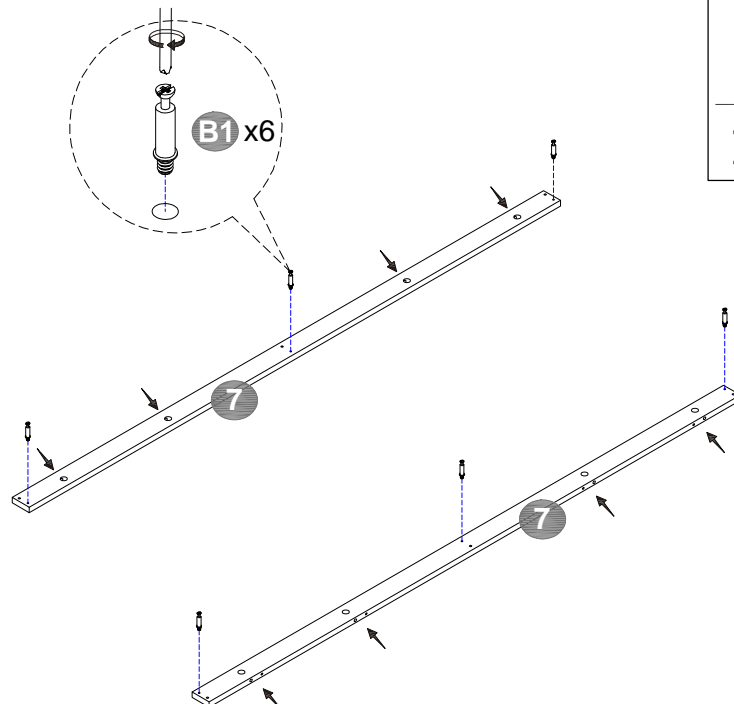
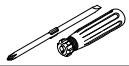
STEP 7



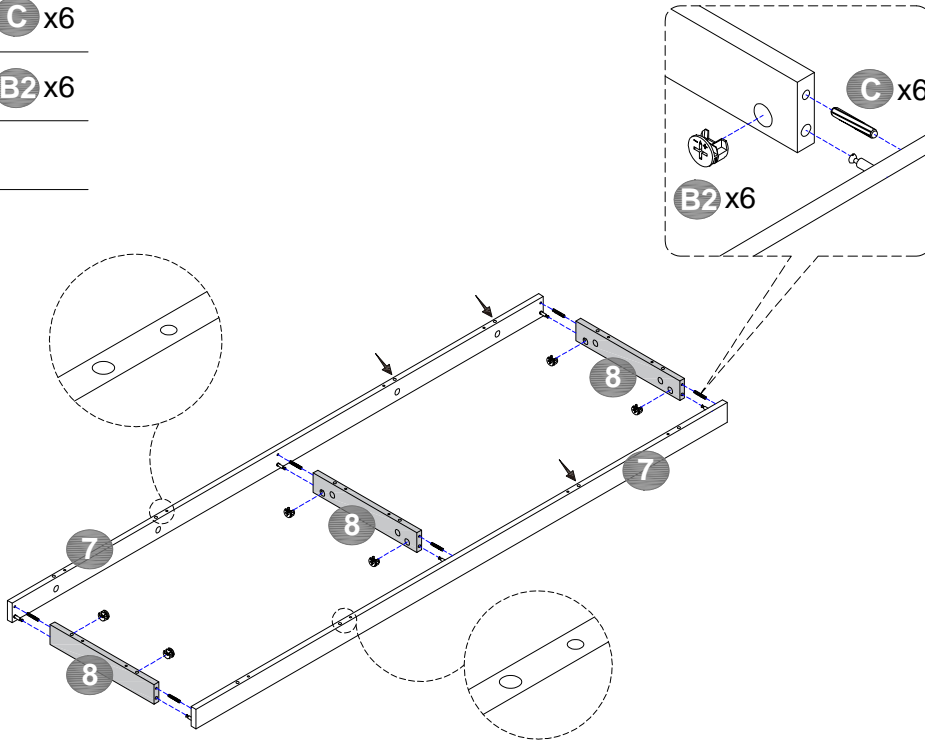
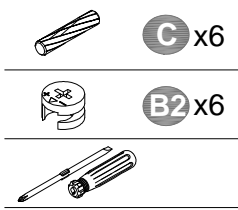
STEP 8



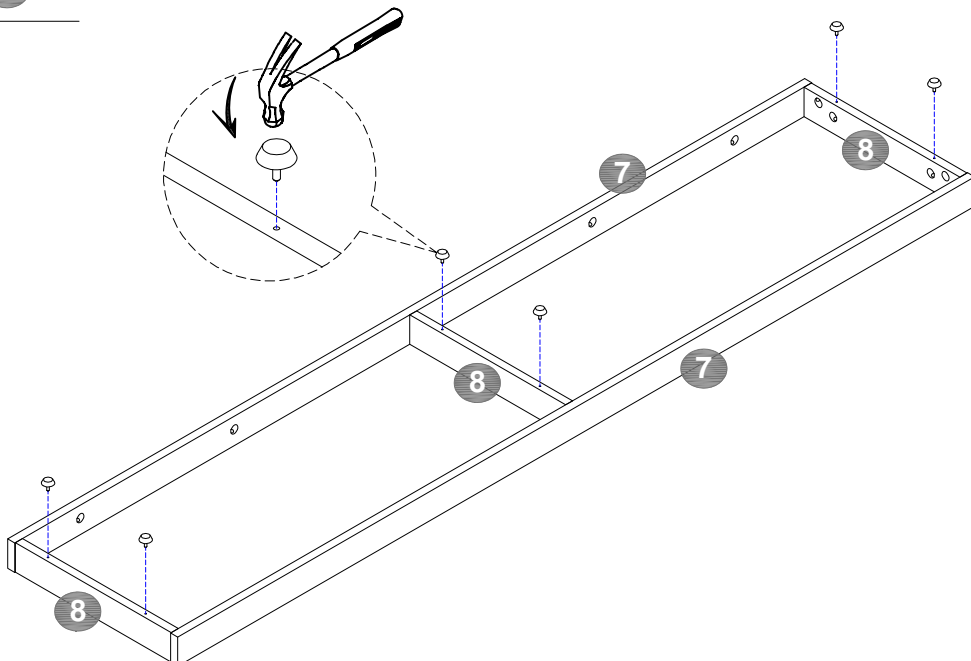
ATTENTION: Please locate the groove on side up !

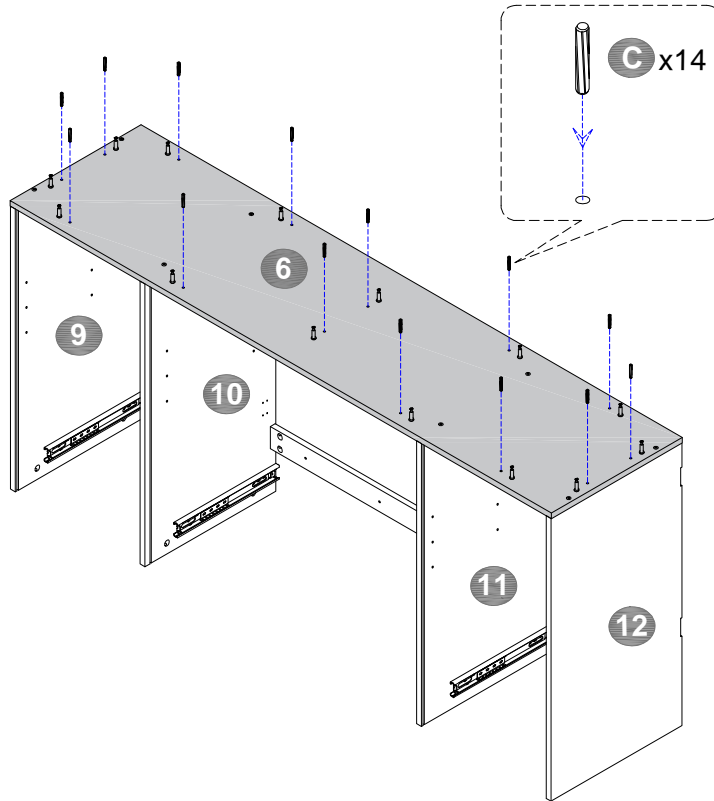
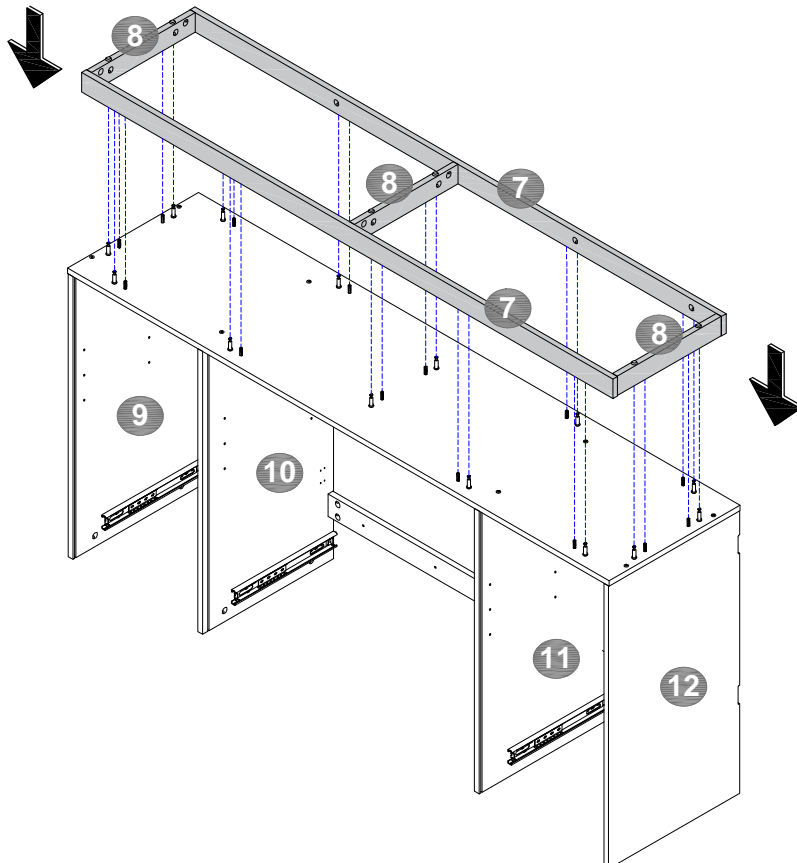
STEP 9 **B1** x14**STEP 10** **B1** x6

STEP 11

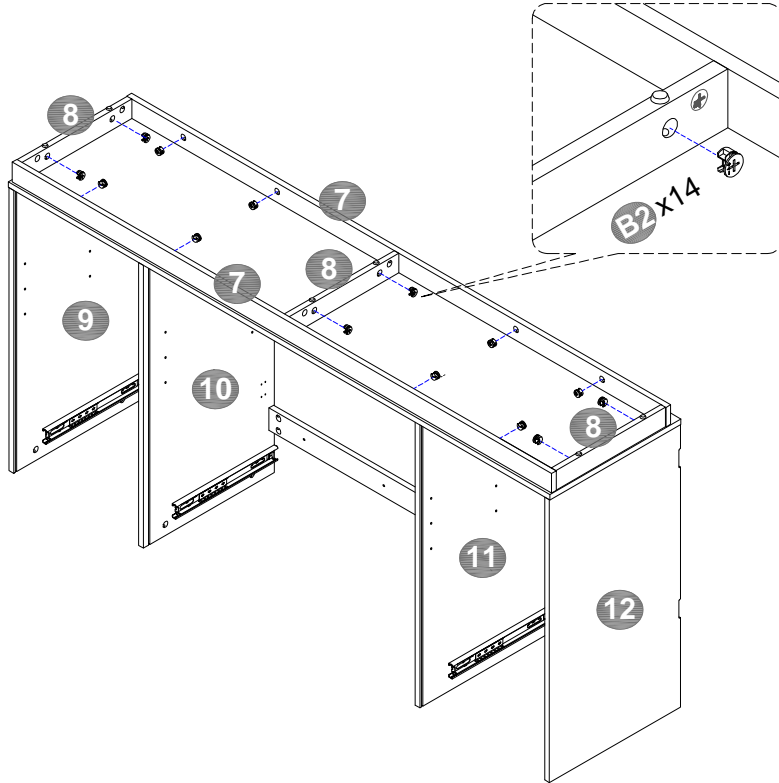
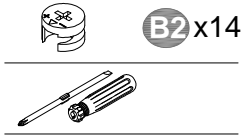


STEP 12

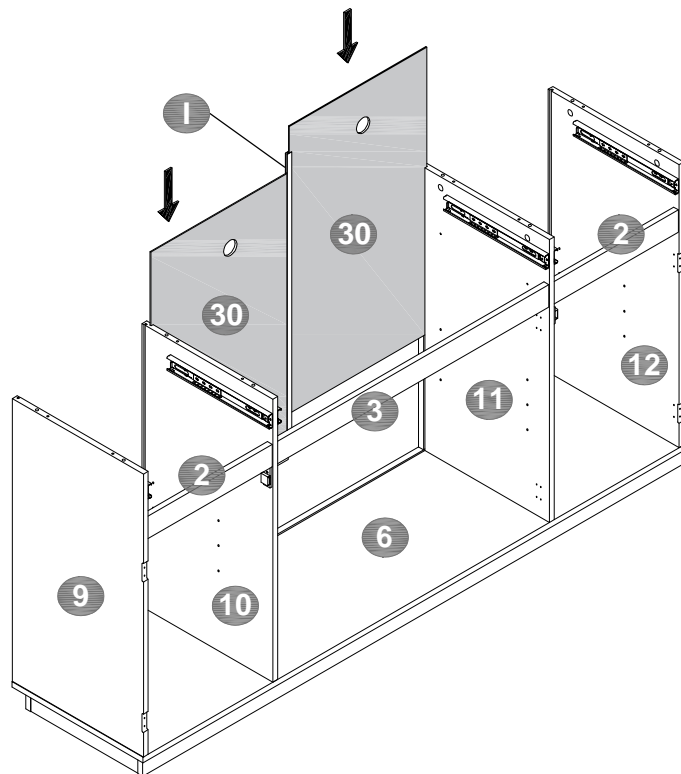
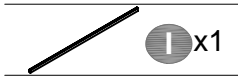


STEP 13**STEP 14**

STEP 15



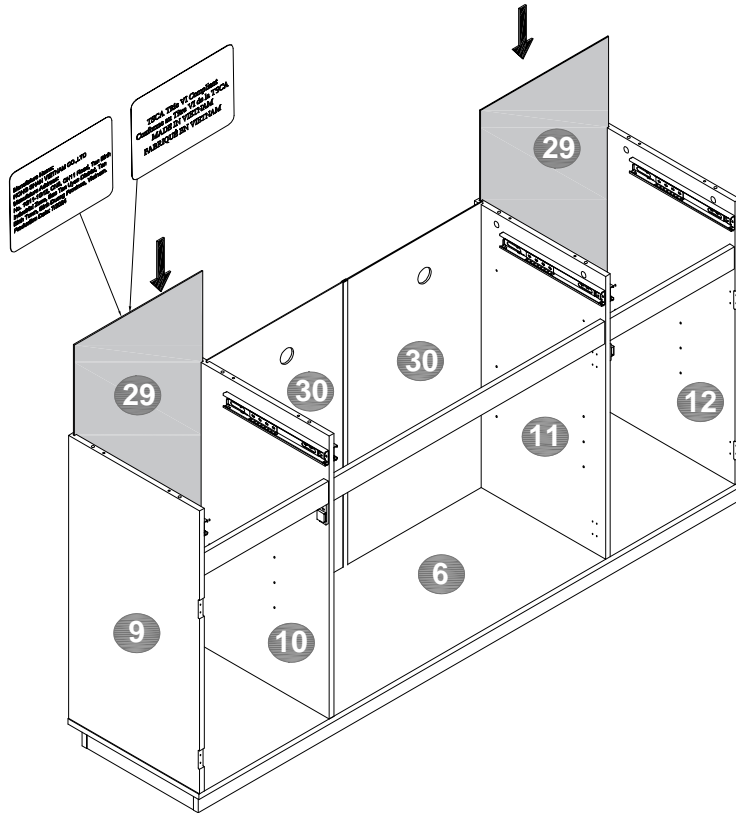
STEP 16



STEP 17

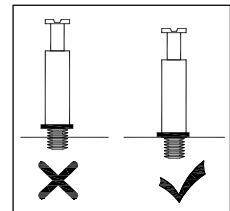
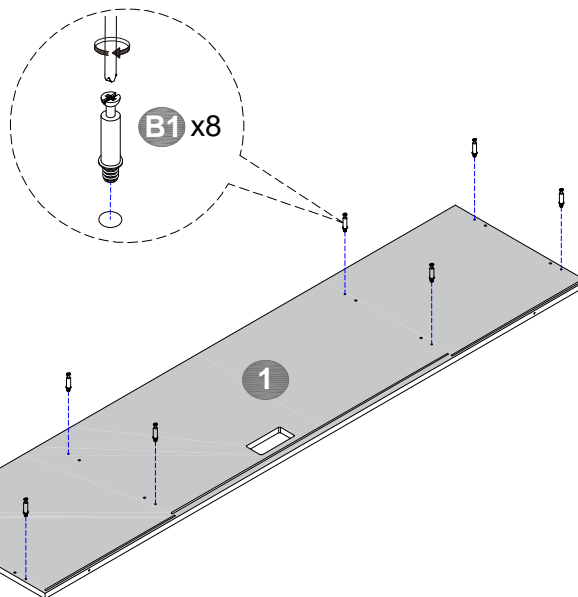
Attention

The position of the labels are on the top and back side !

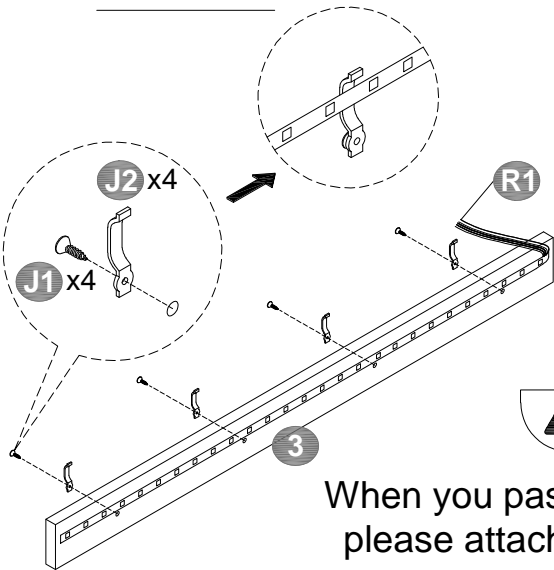
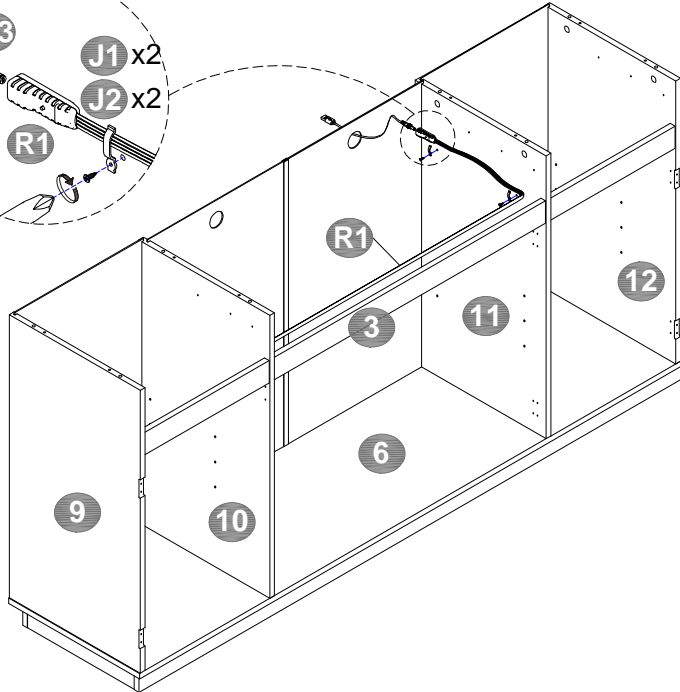
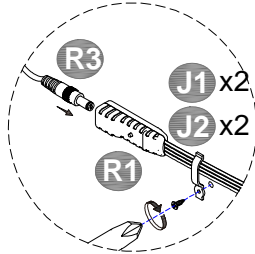
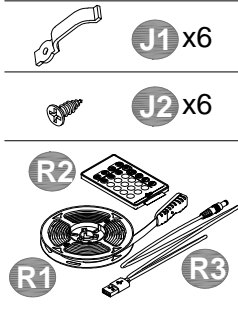


STEP 18

B1 x8



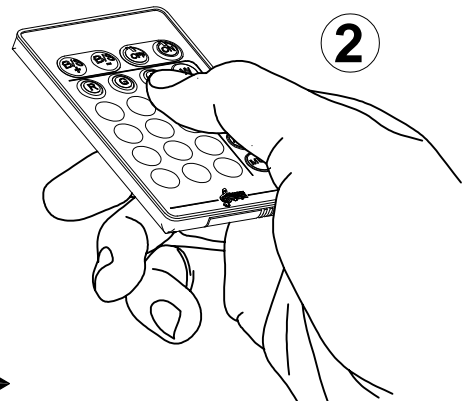
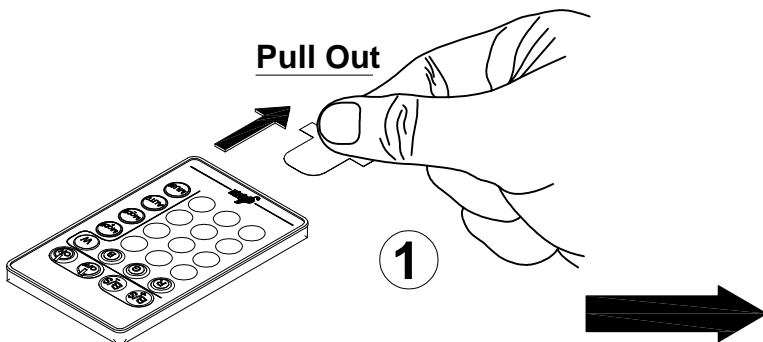
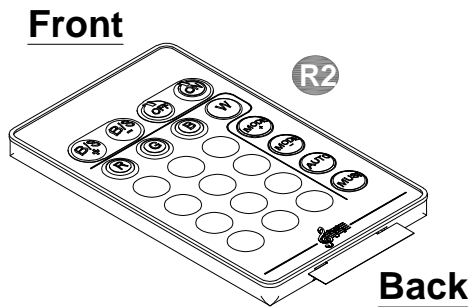
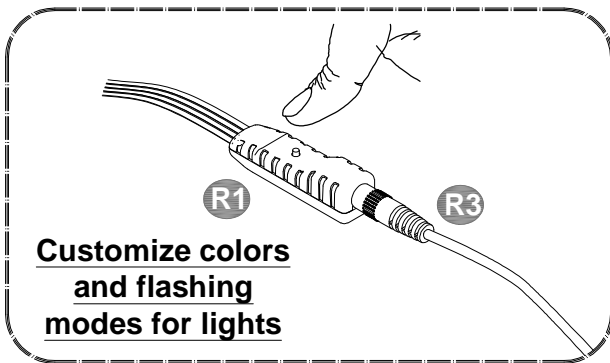
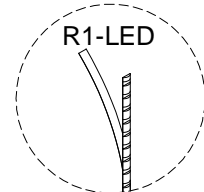
STEP 19



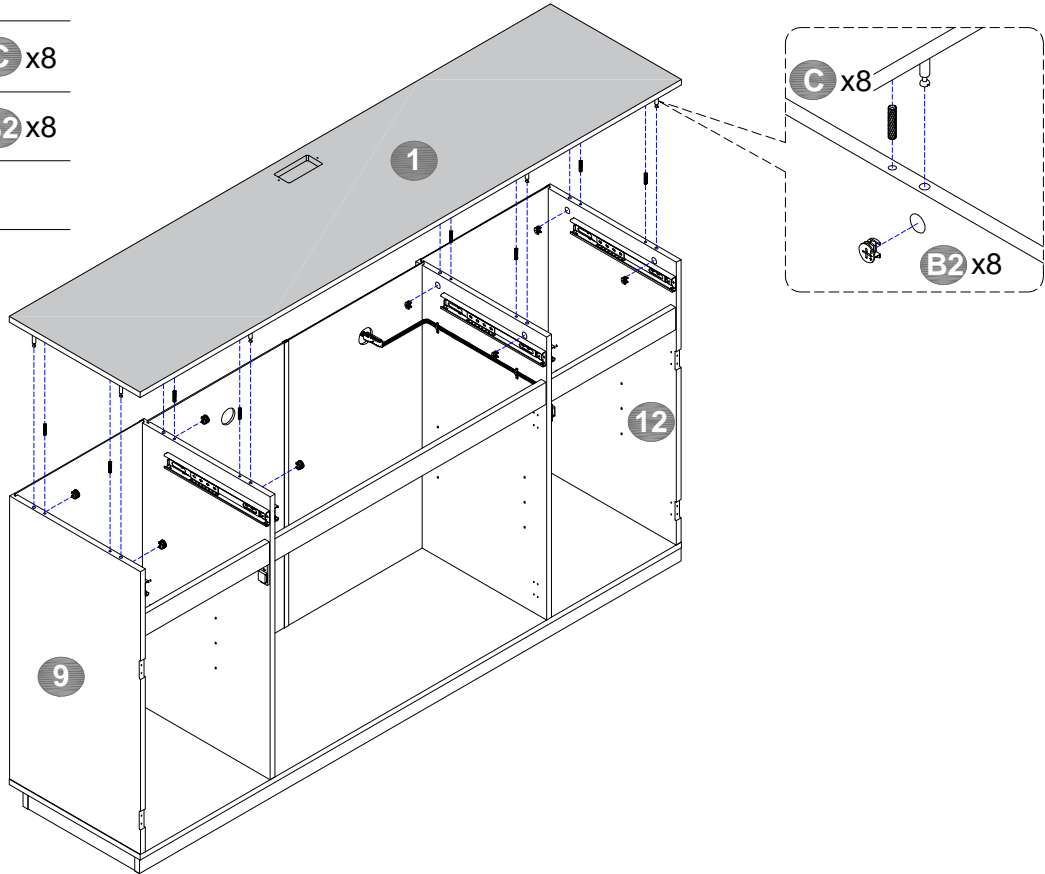
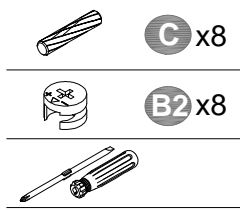
Attention

When you paste the LED light belt, please attach it neatly to the No.3 board and avoid the installation hole.

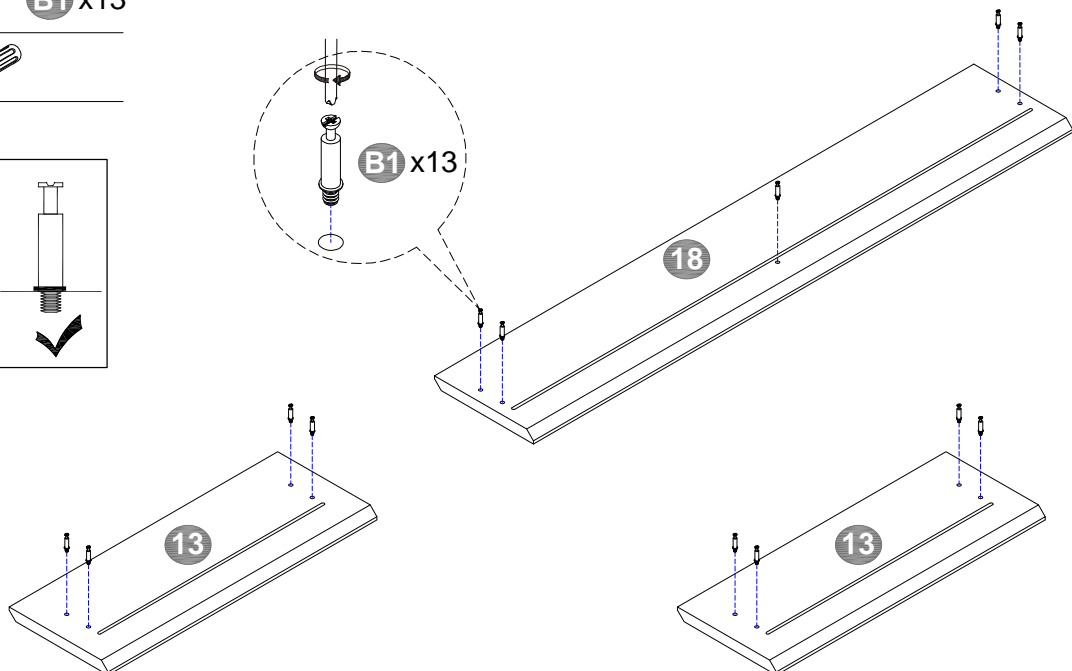
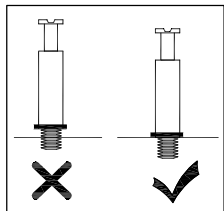
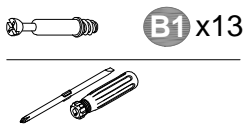
Please tear off the sticker then stick it on the board



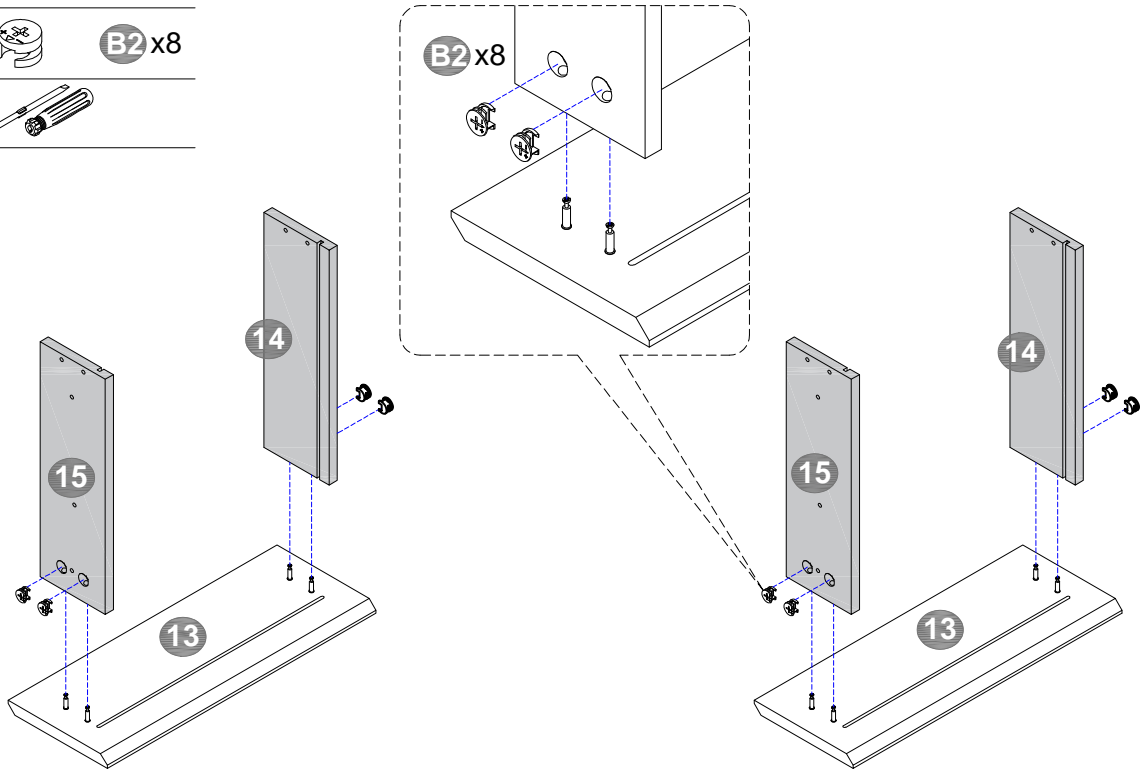
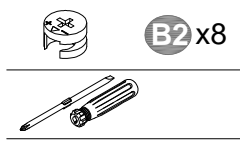
STEP 20



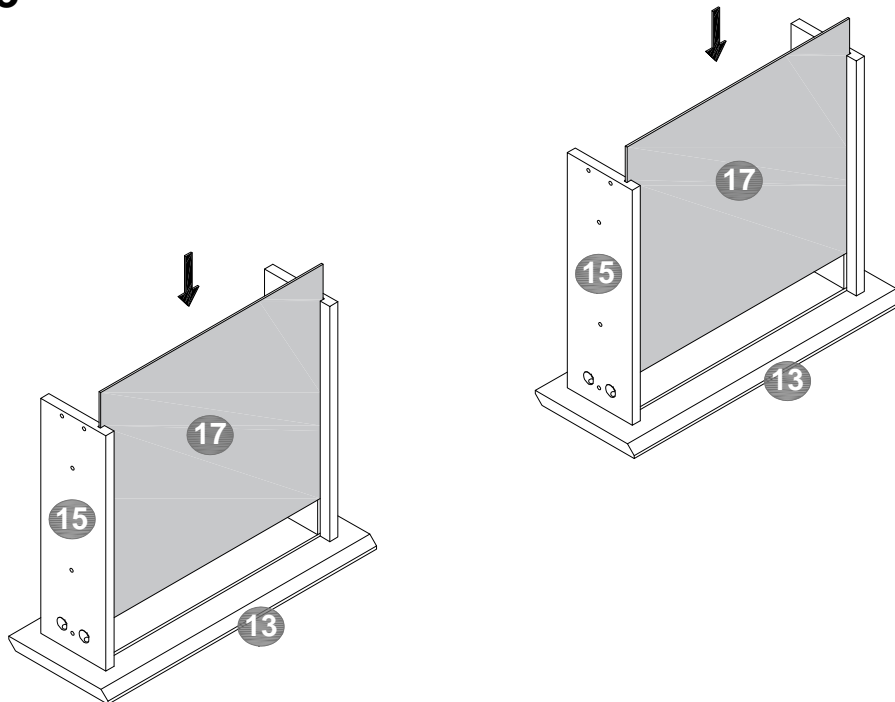
STEP 21



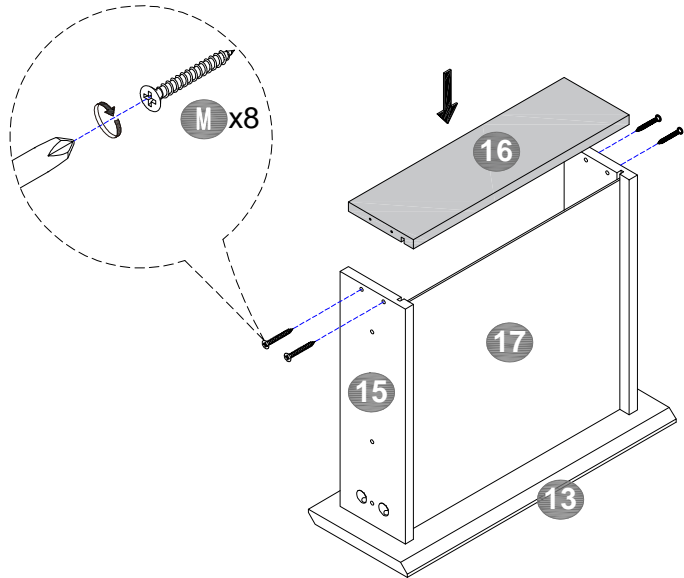
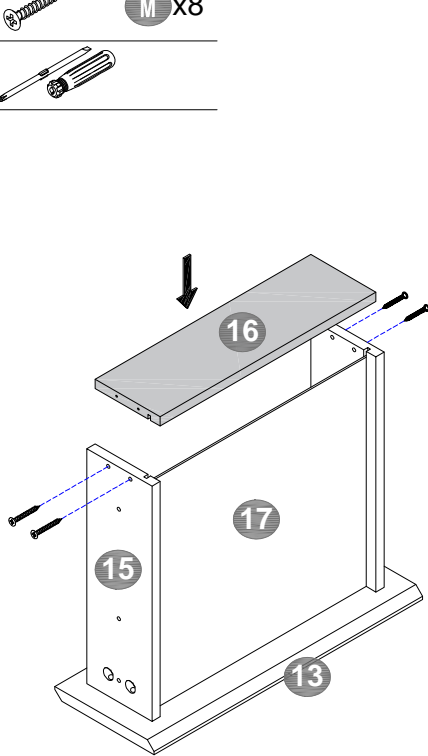
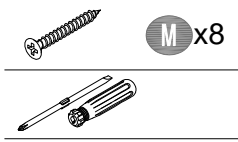
STEP 22



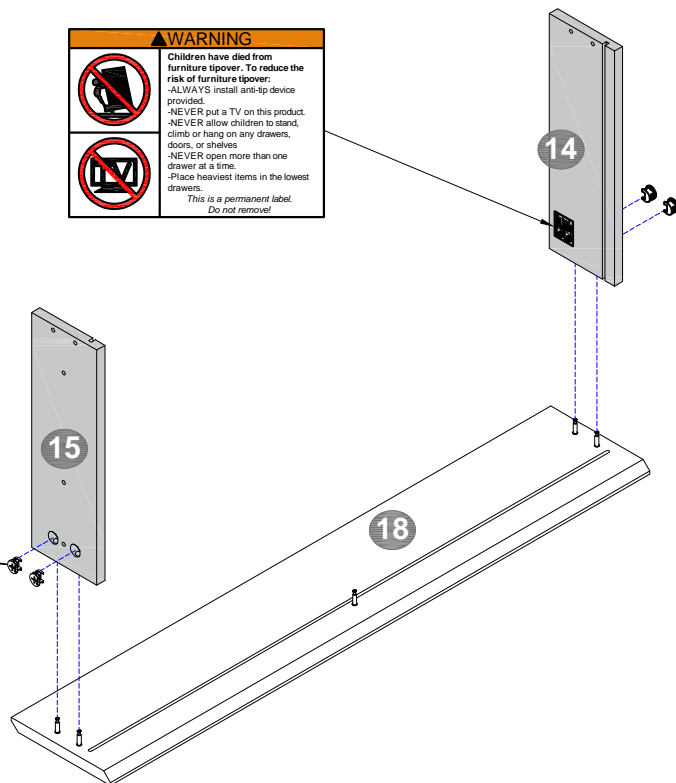
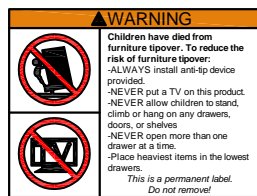
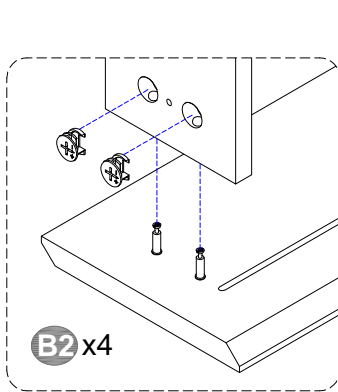
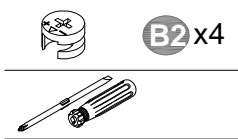
STEP 23



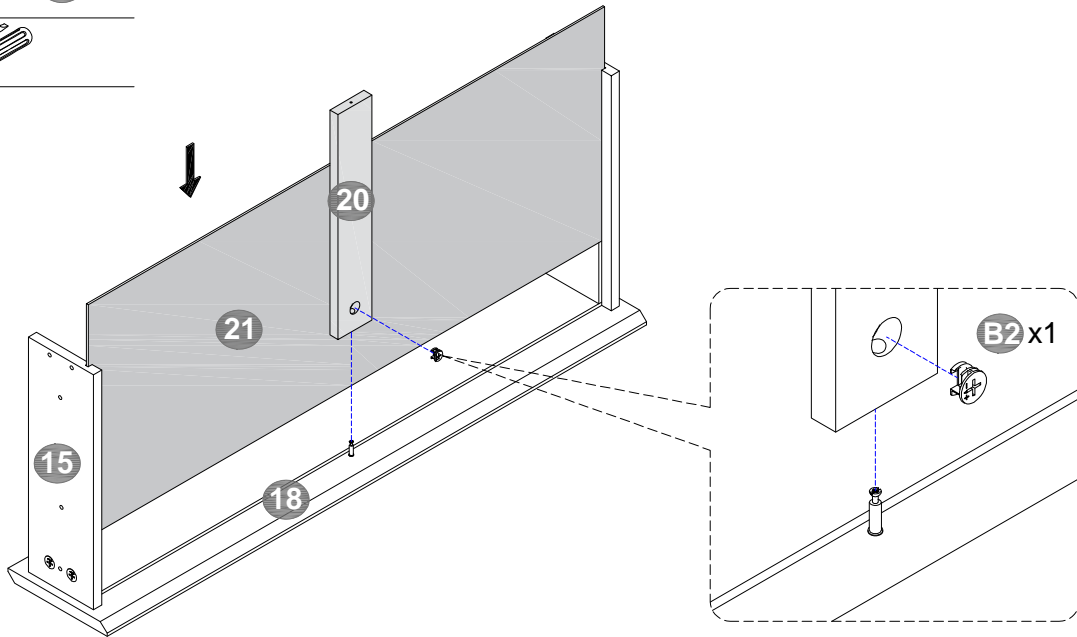
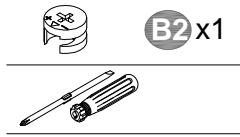
STEP 24



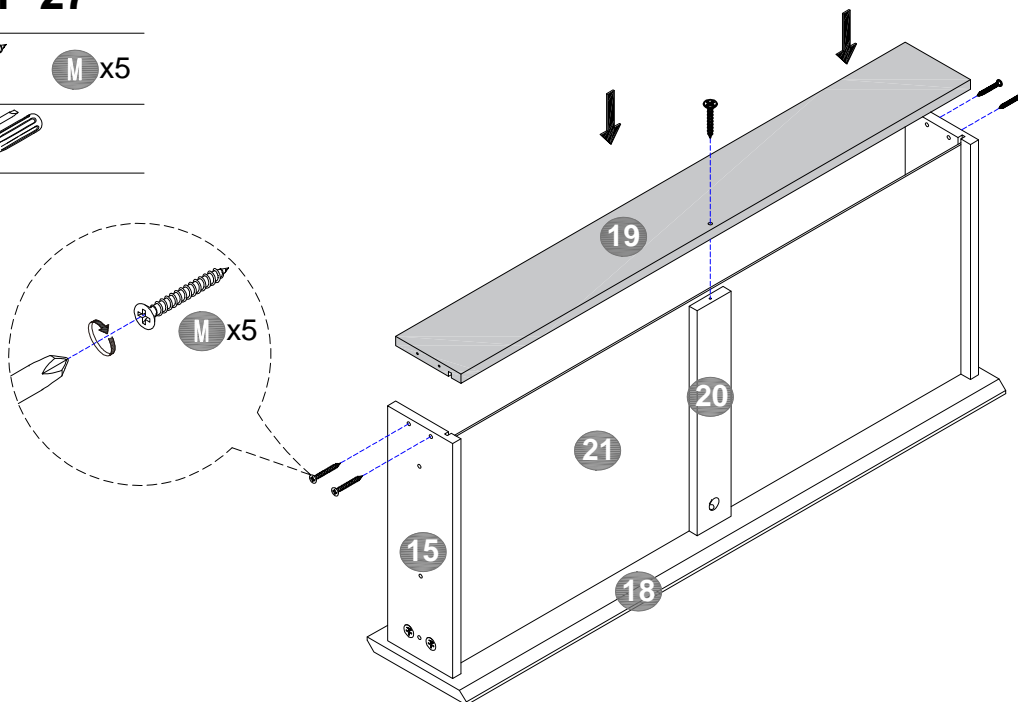
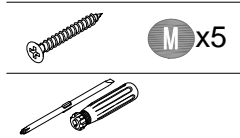
STEP 25



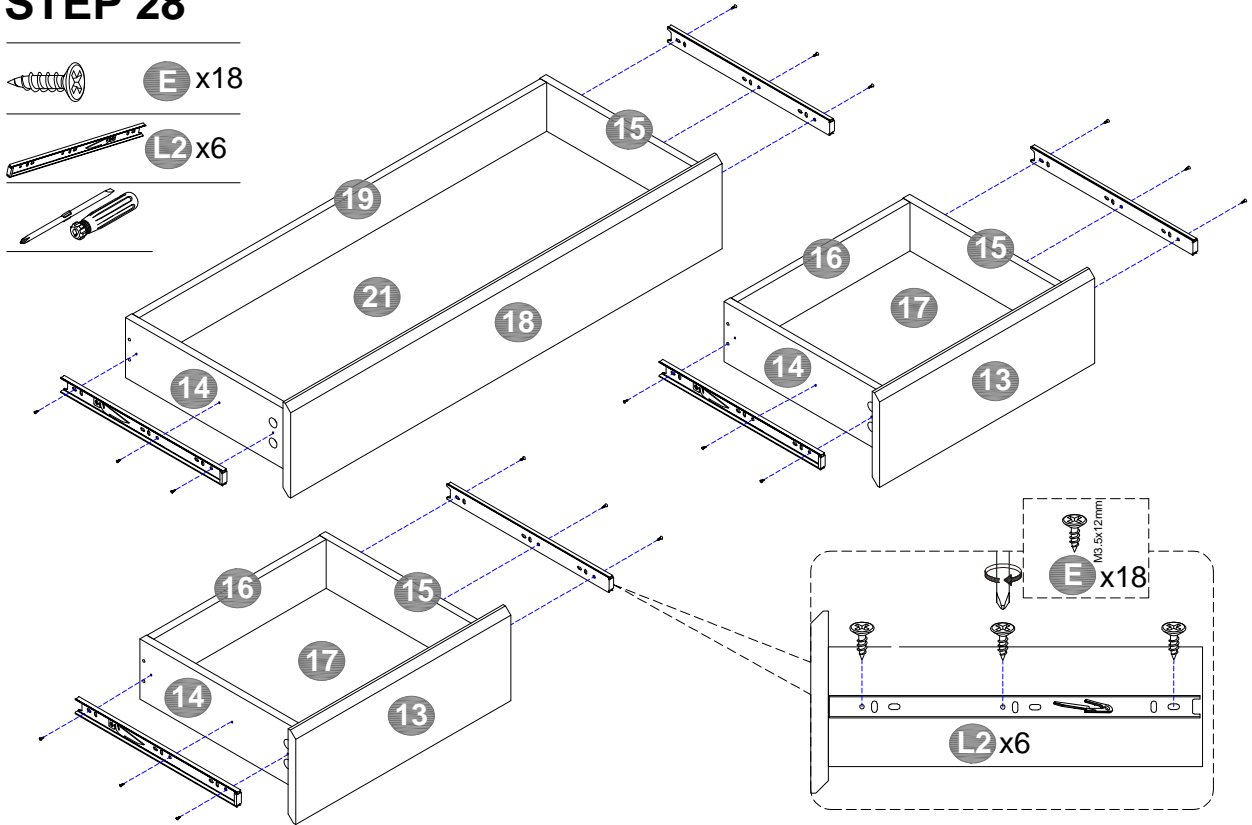
STEP 26



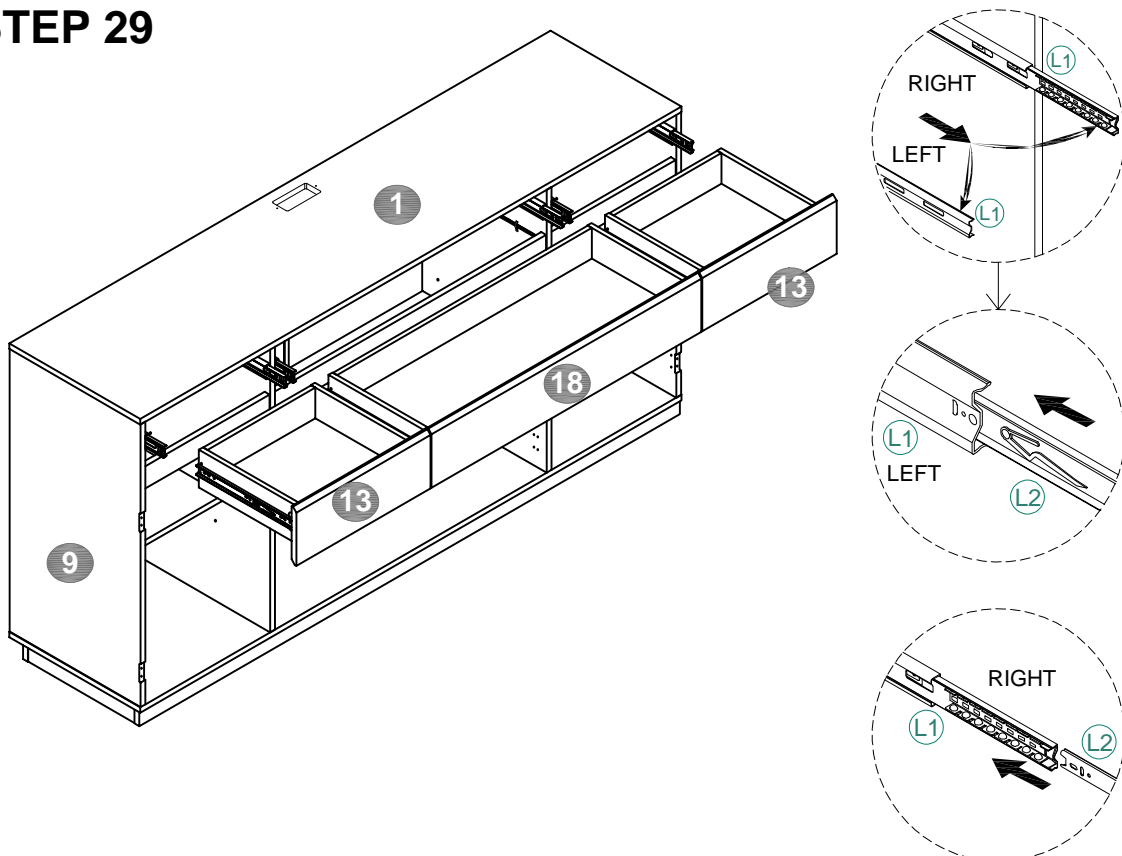
STEP 27




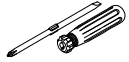
STEP 28

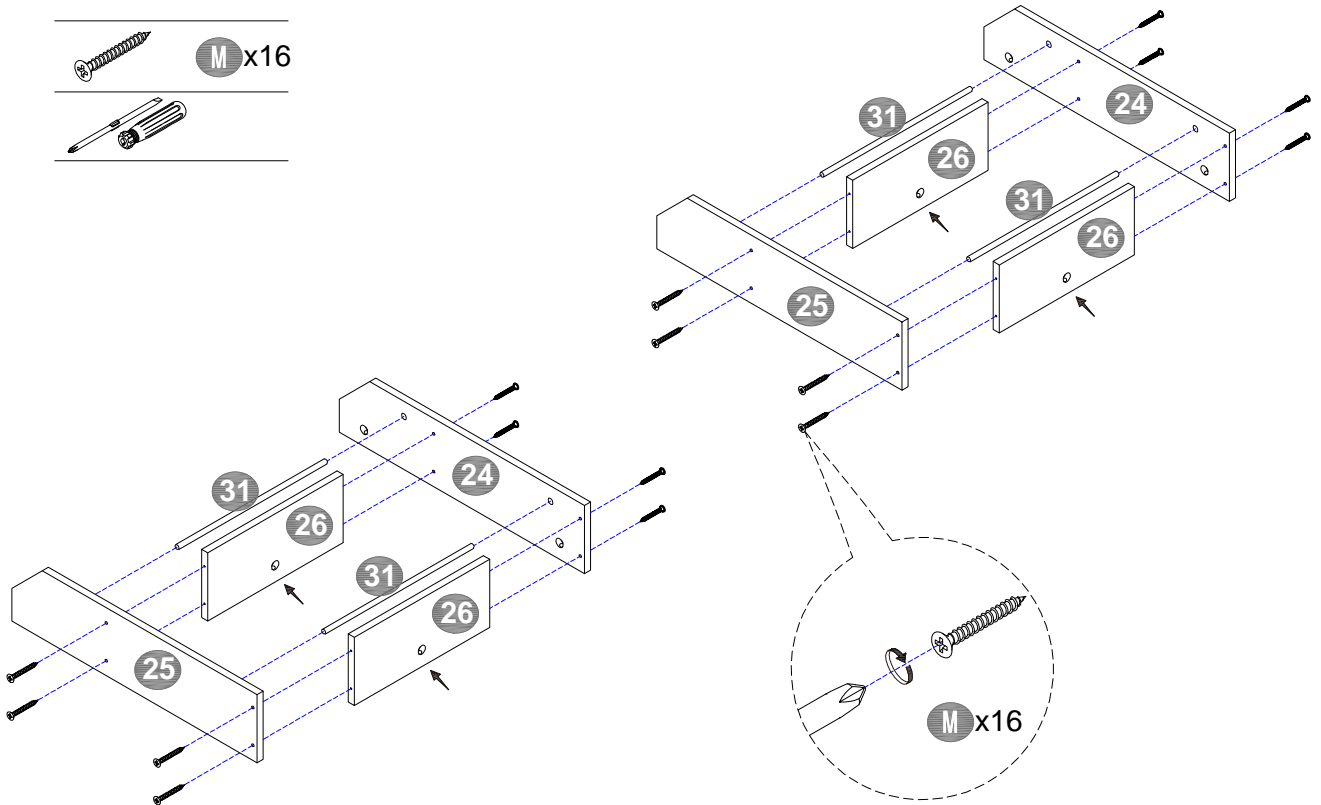


STEP 29

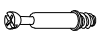

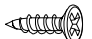
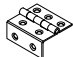
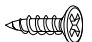


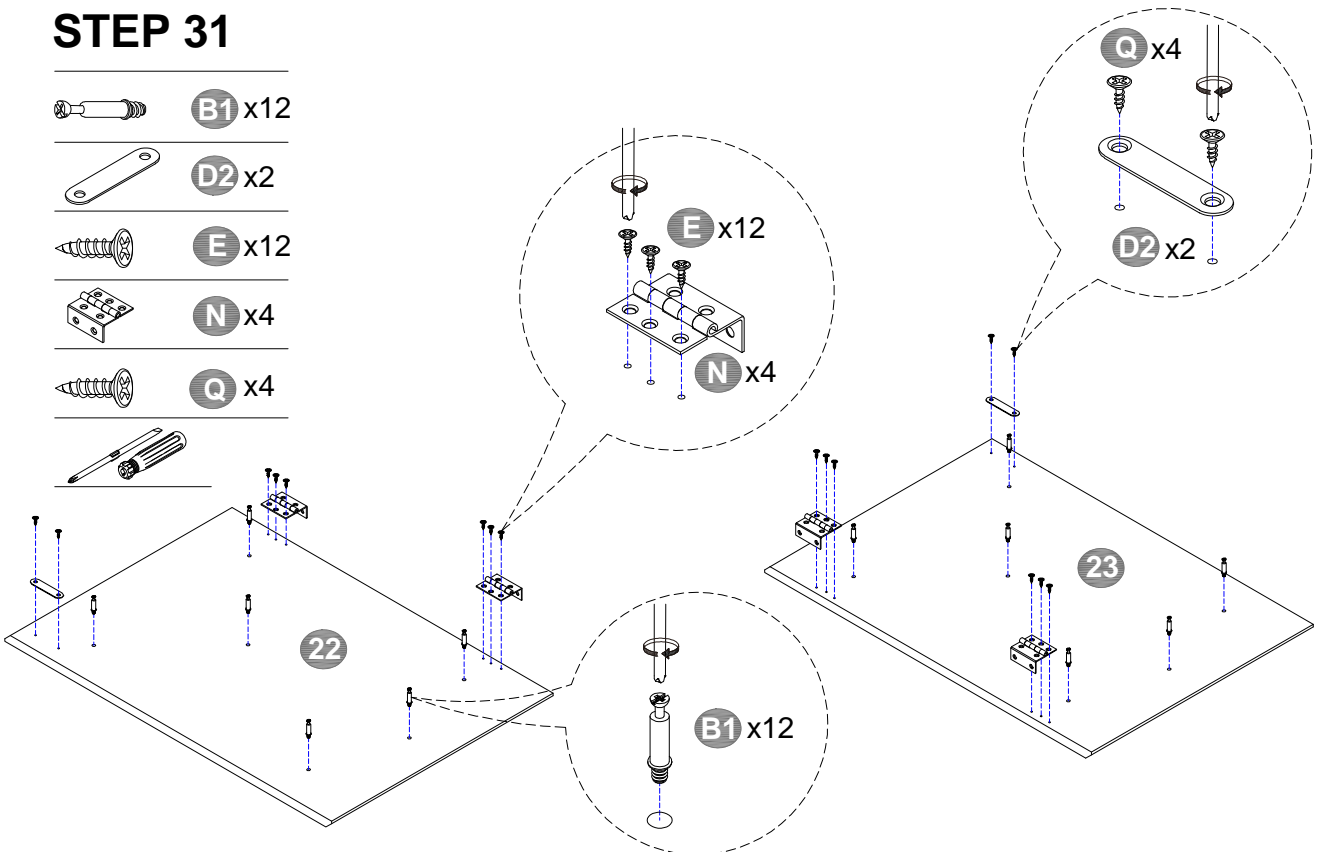
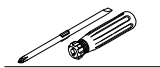
STEP 30

-  **M x16**
- 

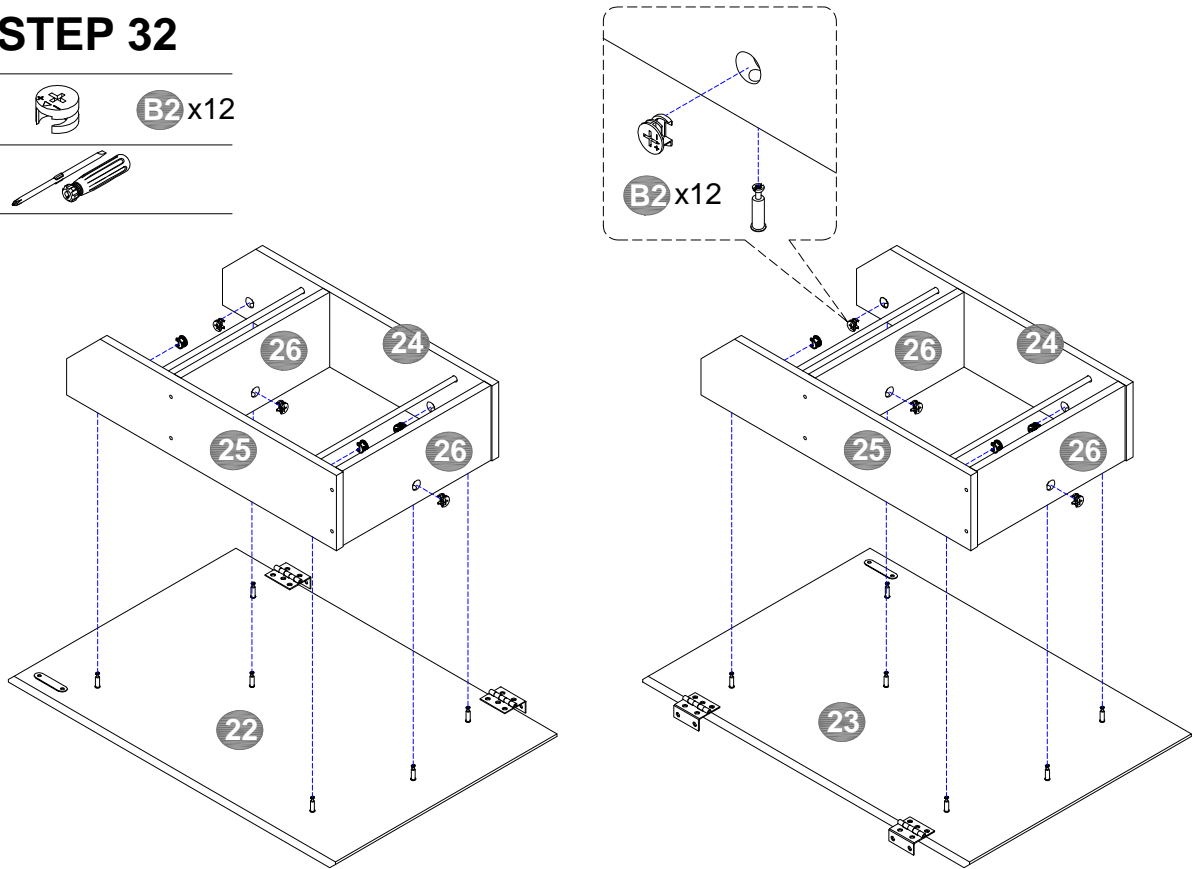
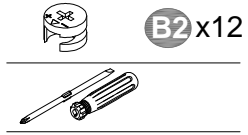


STEP 31

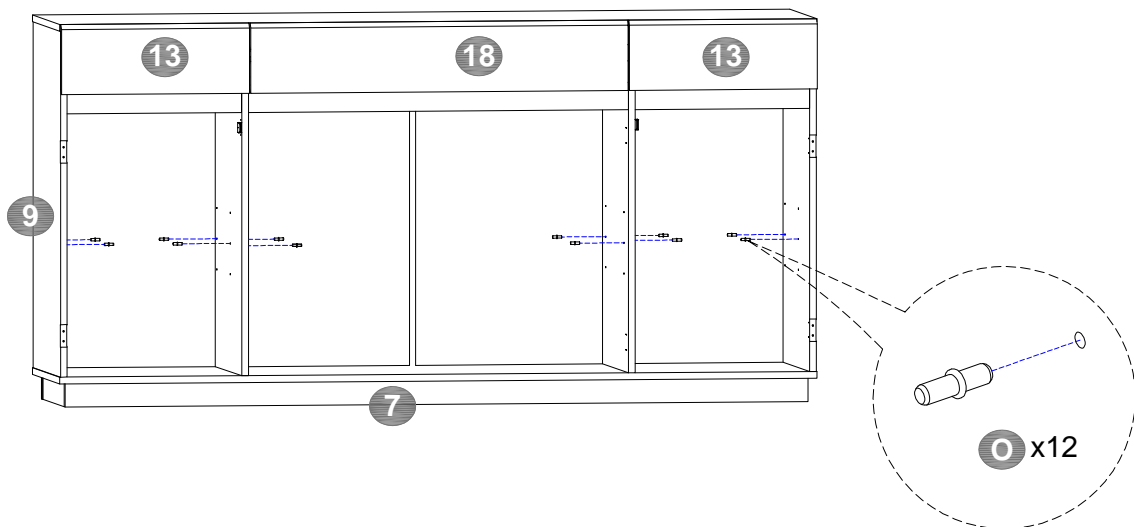
-  **B1 x12**
-  **D2 x2**
-  **E x12**
-  **N x4**
-  **Q x4**

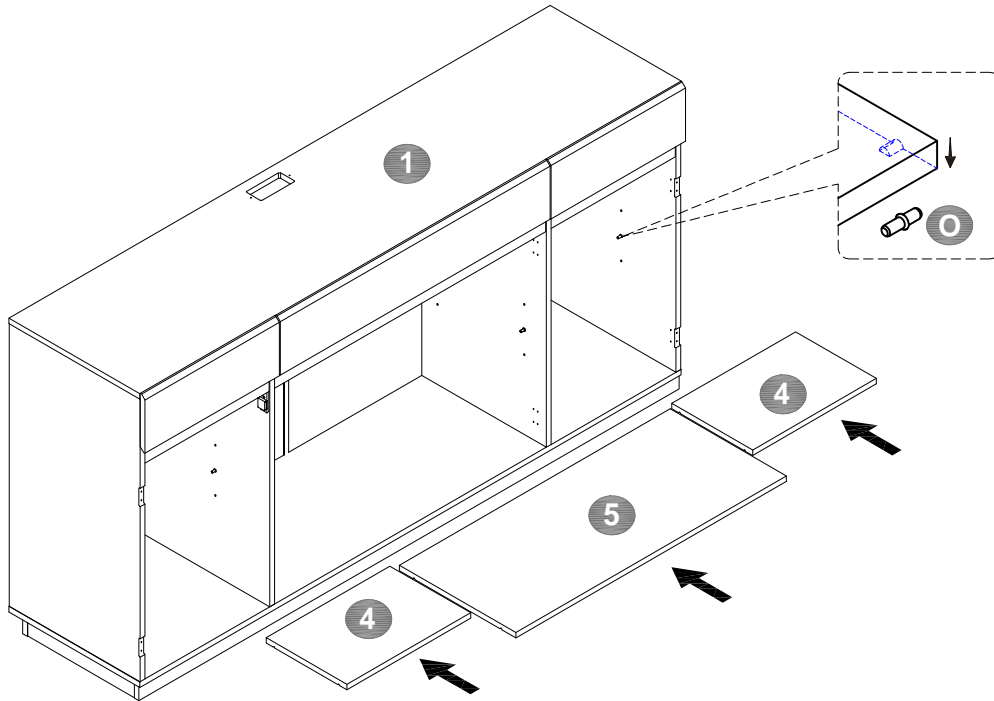
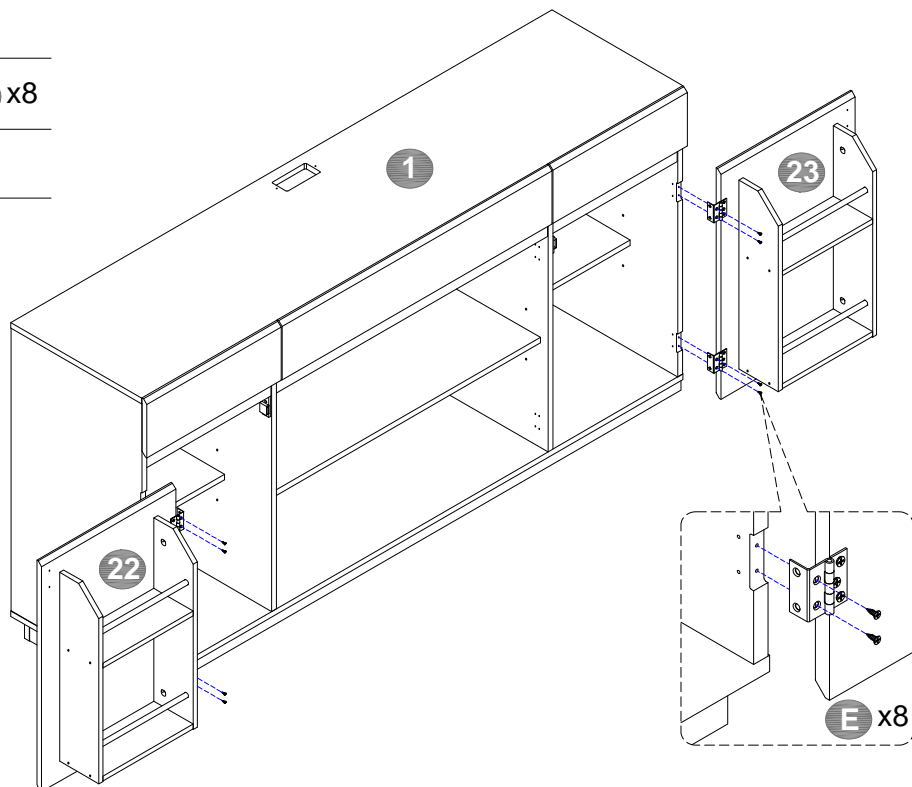


STEP 32



STEP 33



STEP 34**STEP 35** **E x8**

STEP 36



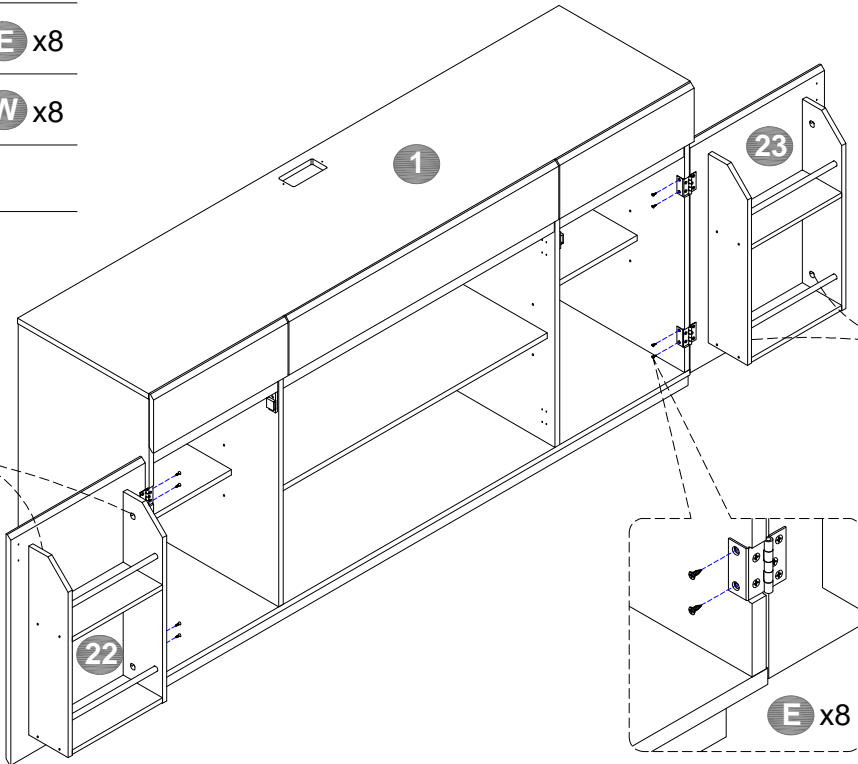
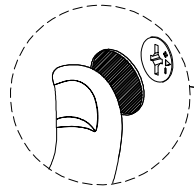
E x8



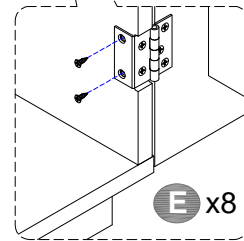
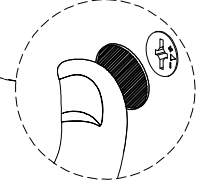
W x8



Use Perfect Sticker (W) to cover the Camlock's holes.



Use Perfect Sticker (W) to cover the Camlock's holes.



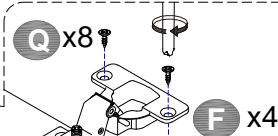
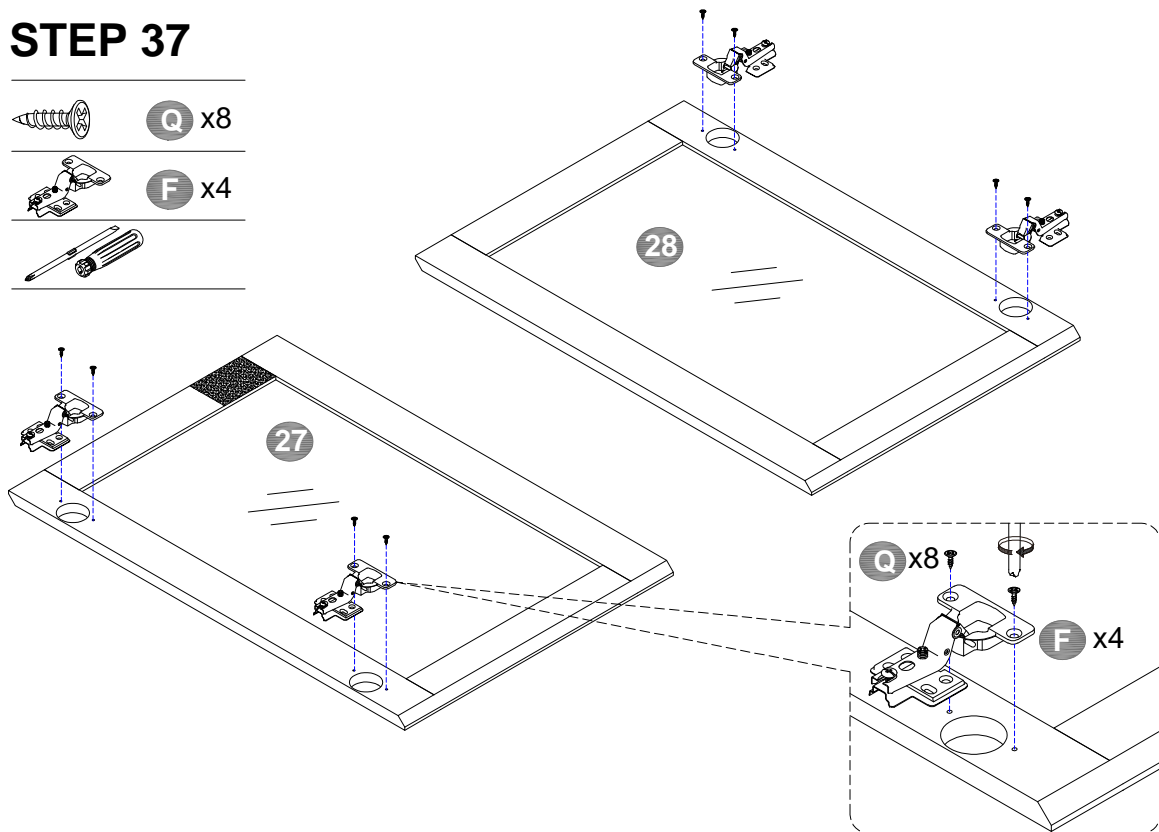
STEP 37



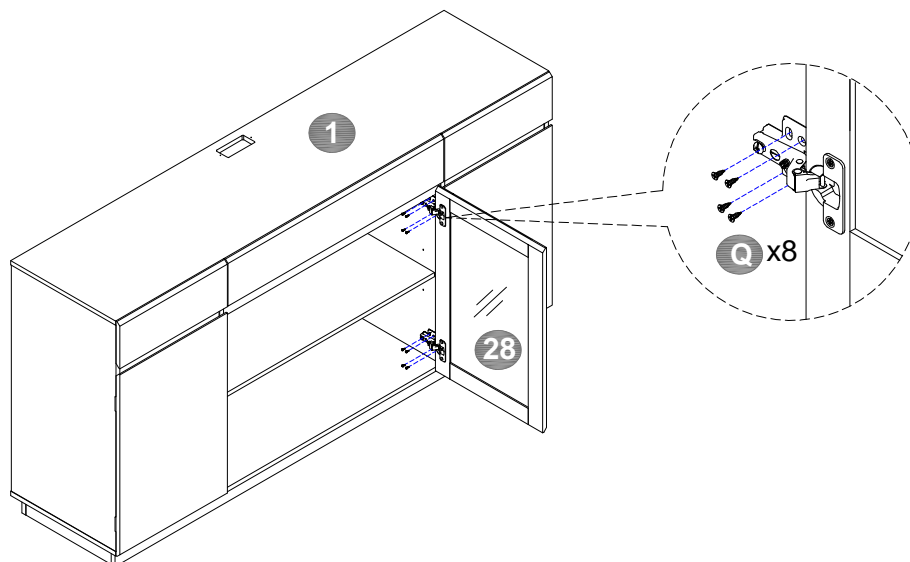
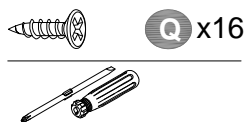
Q x8



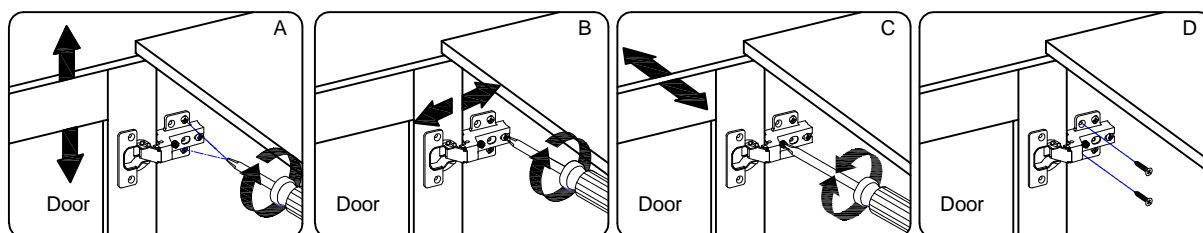
F x4



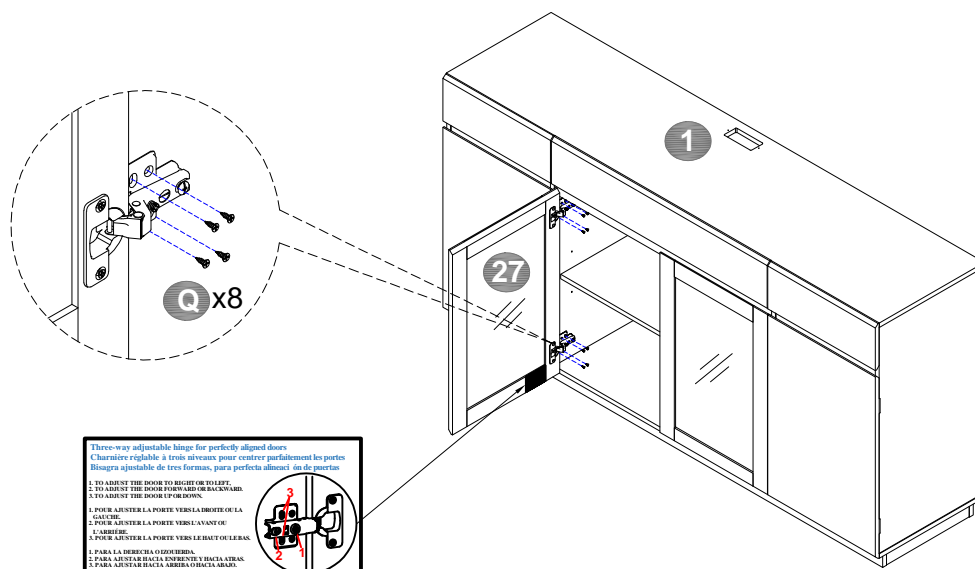
STEP 38



When the hinges are installed, you can refer to the pictures to adjust crevice of the doors till it's perfect



1. To adjust the doors up and down, please refer to step (A)
2. To adjust the distance between the doors and side panels, please refer to (B)
3. To adjust the gap between two doors, please refer to step (C)
4. After the adjustment is finished, please tighten the screws, refer to step (D)

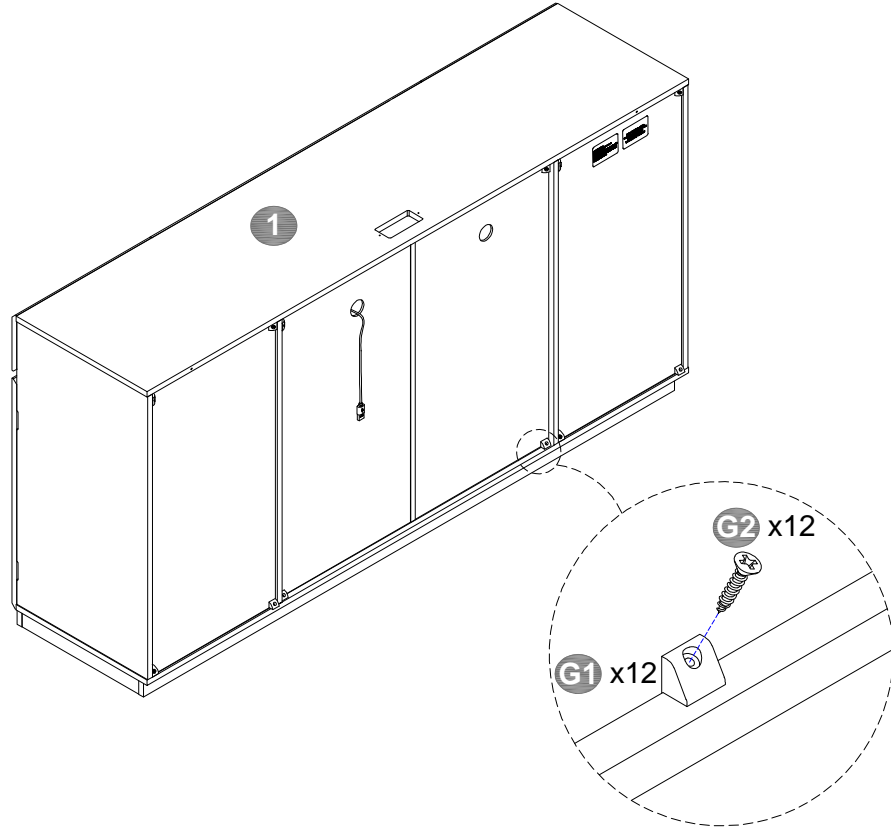
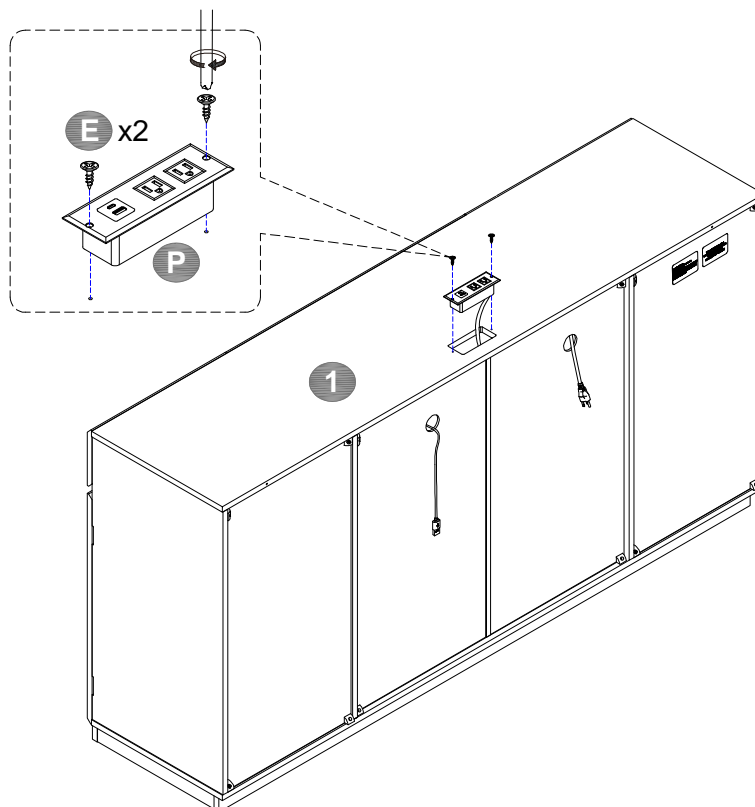


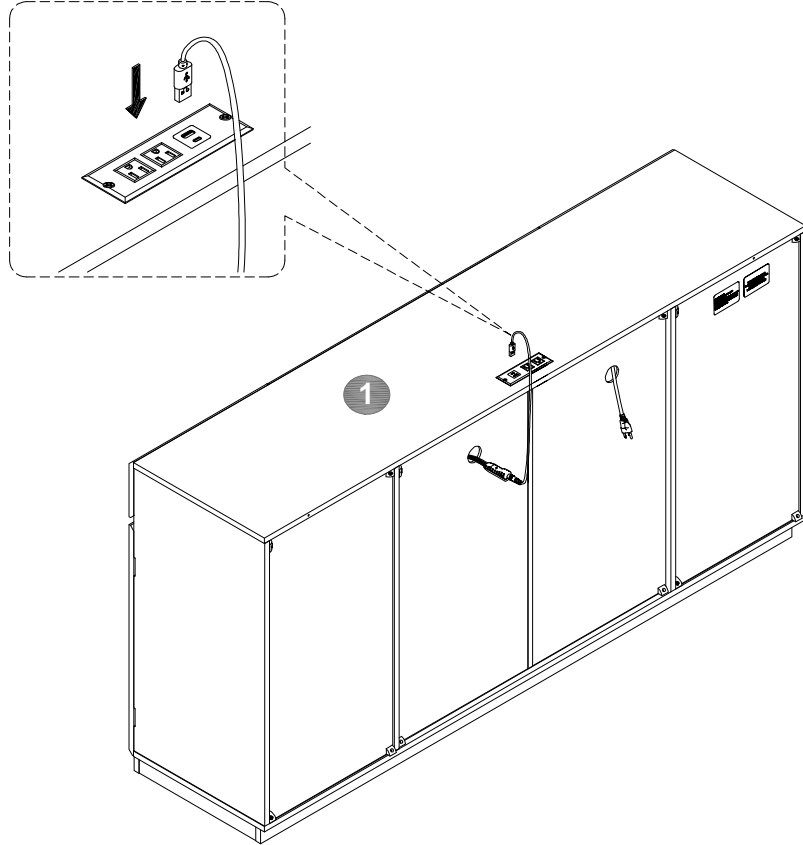
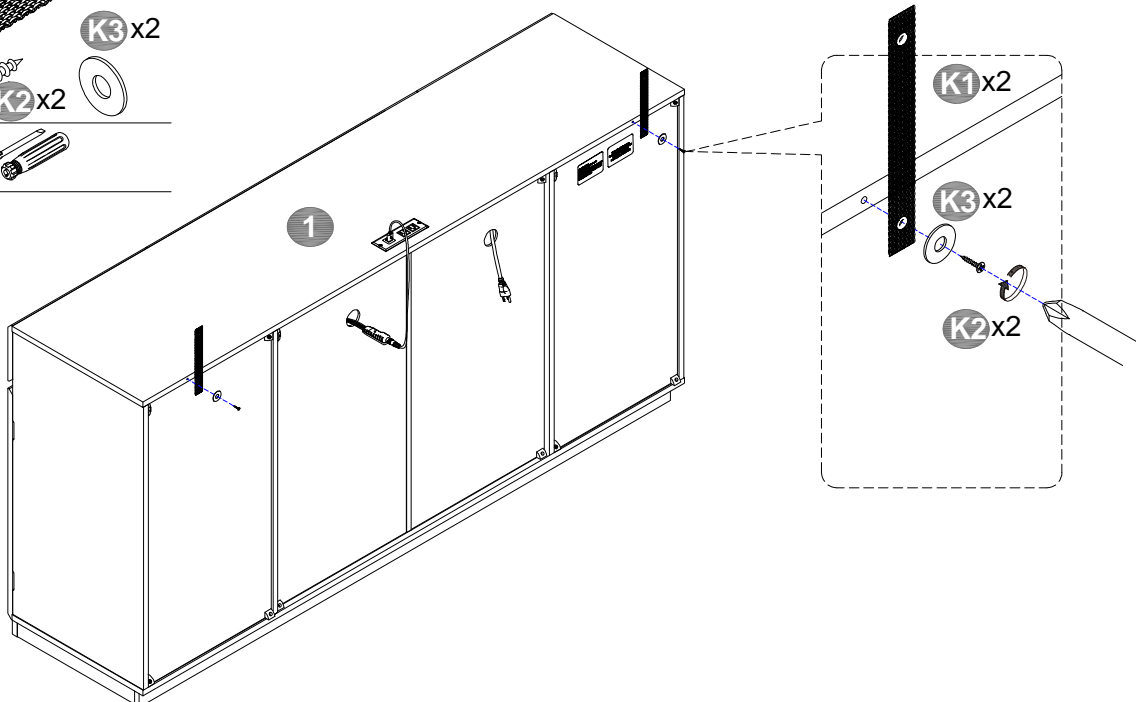
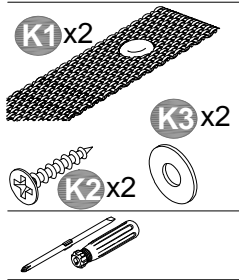
Three-way adjustable hinge for perfectly aligned doors
 Charnière réglable à trois niveaux pour centrer parfaitement les portes
 Bisagra ajustable de tres formas, para perfectu alineament in do portas

1. TO ADJUST THE DOOR TO RIGHT OR LEFT.
 2. TO ADJUST THE DOOR FORWARD OR BACKWARD.
 3. TO ADJUST THE DOOR UP/DOWN.


1. POUR AJUSTER LA PORTE VERS LA DROITE OU LA GAUCHE.
 2. POUR AJUSTER LA PORTE VERS L'AVANT OU L'ARRIERE.
 3. POUR AJUSTER LA PORTE VERS LE HAUT OU LE BAS.

1. PARA LA DERECHA O IZQUIERDA.
 2. PARA AJUSTAR HACIA FRENTE Y HACIA ATRAS.
 3. PARA AJUSTAR HACIA ARRIBA O HACIA ABAJO.

STEP 39**STEP 40**

STEP 41**STEP 42**

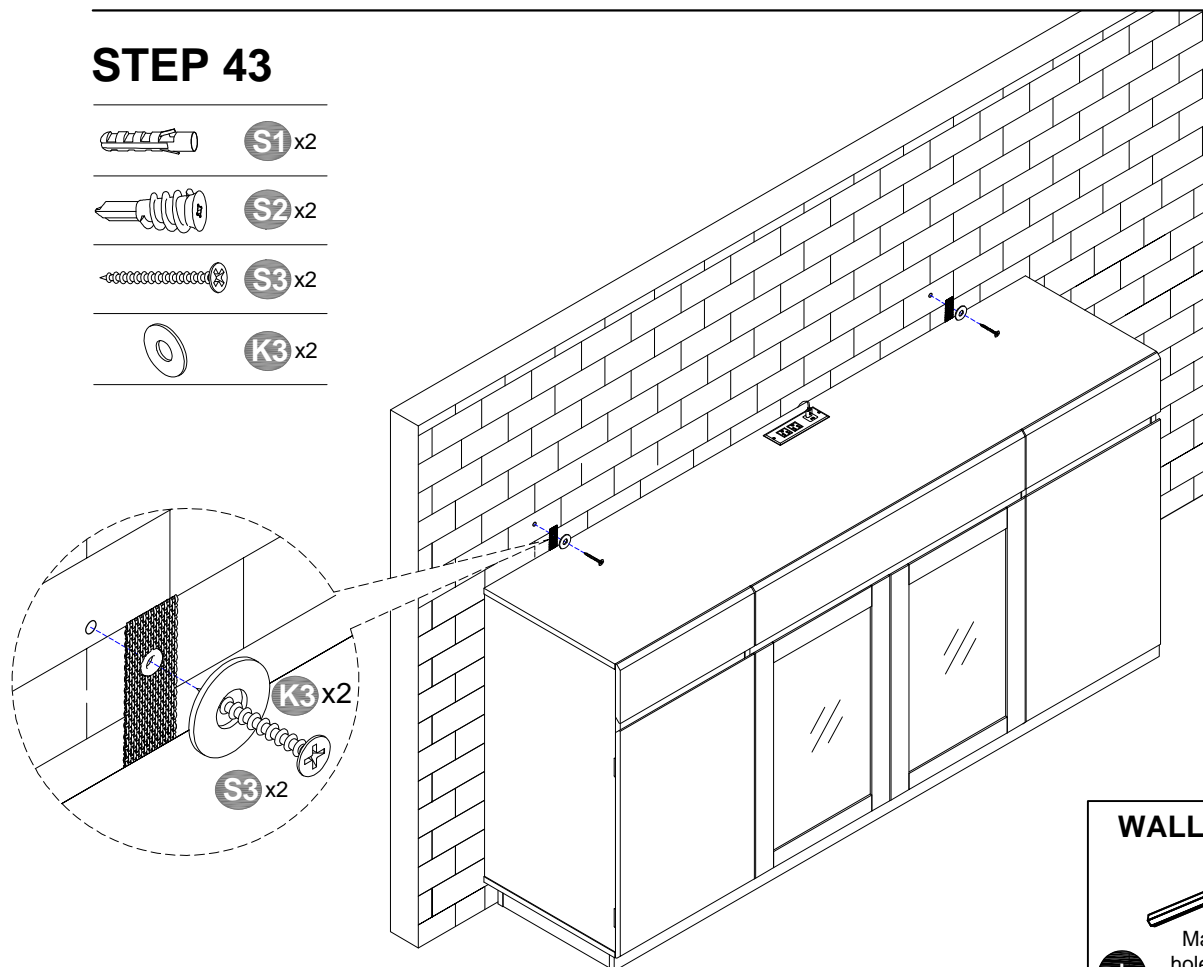
STEP 43

 **S1** x2

 **S2** x2

 **S3** x2

 **K3** x2




Once the product is secured to the wall, it cannot be moved.

Step1: determine the location of the anti-overturning on the wall and then mark the position after confirming the product has been balanced.

Step 2: drill the hole and then fixed the anchor (**S1**) on the **wall** or anchor (**S2**) for **special wall**.

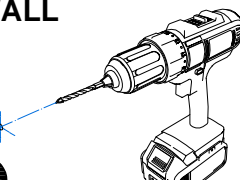
Step 3: use screw (**S3**) to fix the strap (**K1**), and washers (**K3**) on the **wall** or **special wall**

WALL



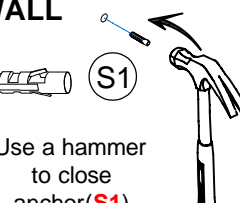
I Mark the hole drilling location

WALL



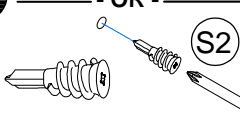
II Drill a hole

WALL



III Use a hammer to close anchor (**S1**)

- OR -



SPECIAL WALL

Use a screwdriver to screw anchor (**S2**) to the wall

