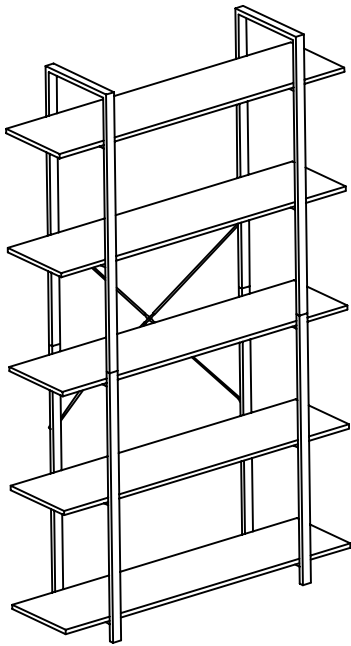
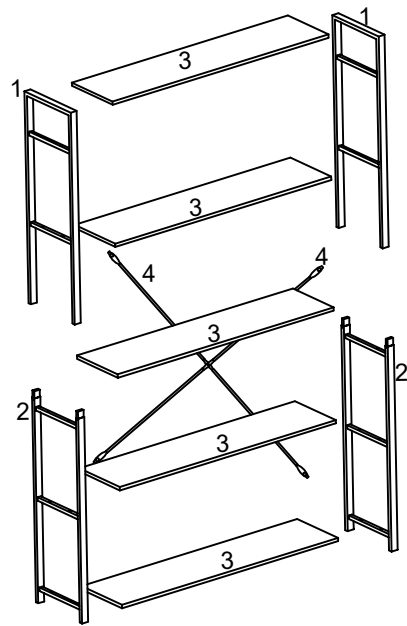


ASSEMBLY INSTRUCTION

The installation is complete

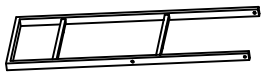


Decomposition of components



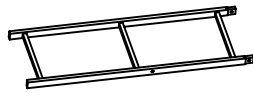
Please check the board number and number

1



2pcs

2



2pcs

3



5pcs

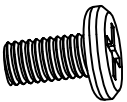
4



2pcs

Please check the number and quantity

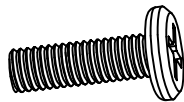
A



M6*12

9pcs

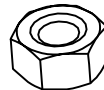
B



M6*25

20pcs

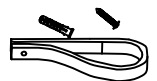
C



M6

1pcs

D



Anti-tip kit

2pcs

E



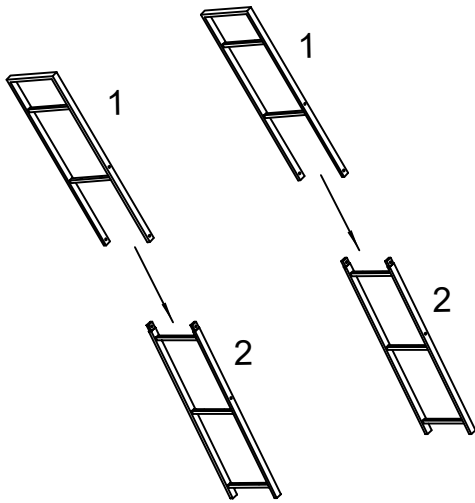
L-shaped cross wrench

1pcs

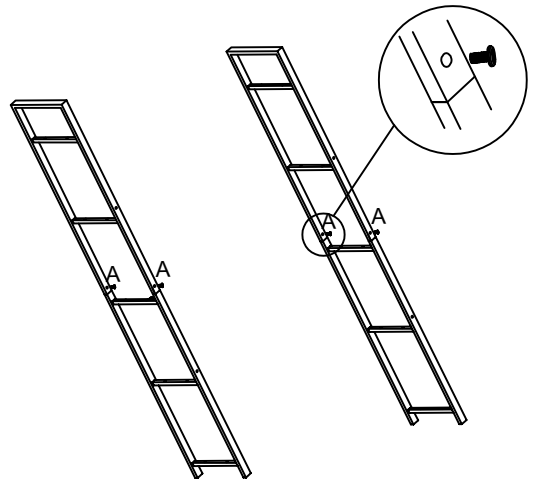
ASSEMBLY INSTRUCTION

Start assembling furniture

STEP 1

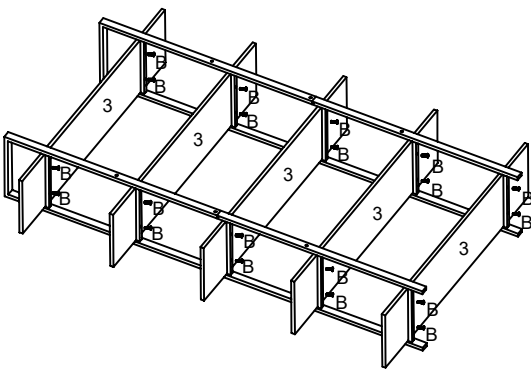



STEP 2



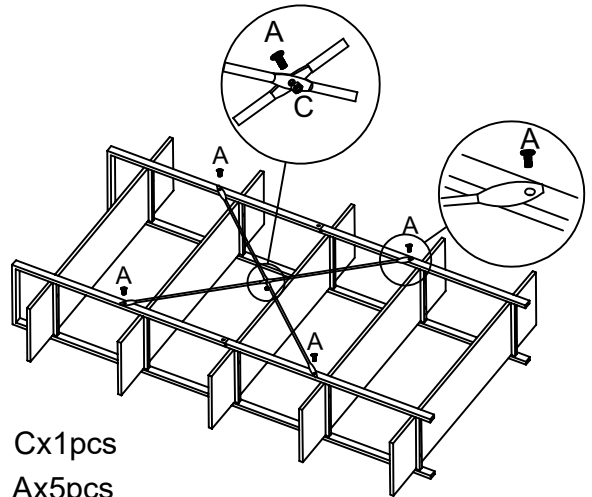
 Ax4pcs

STEP 3



 Bx20pcs

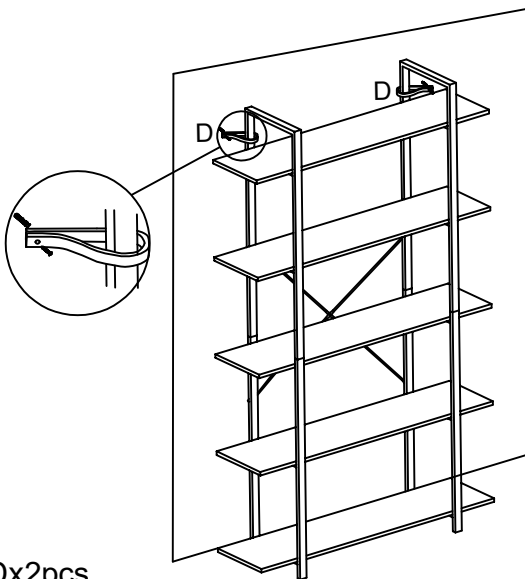
STEP 4



 Cx1pcs

 Ax5pcs

STEP 5



 Dx2pcs