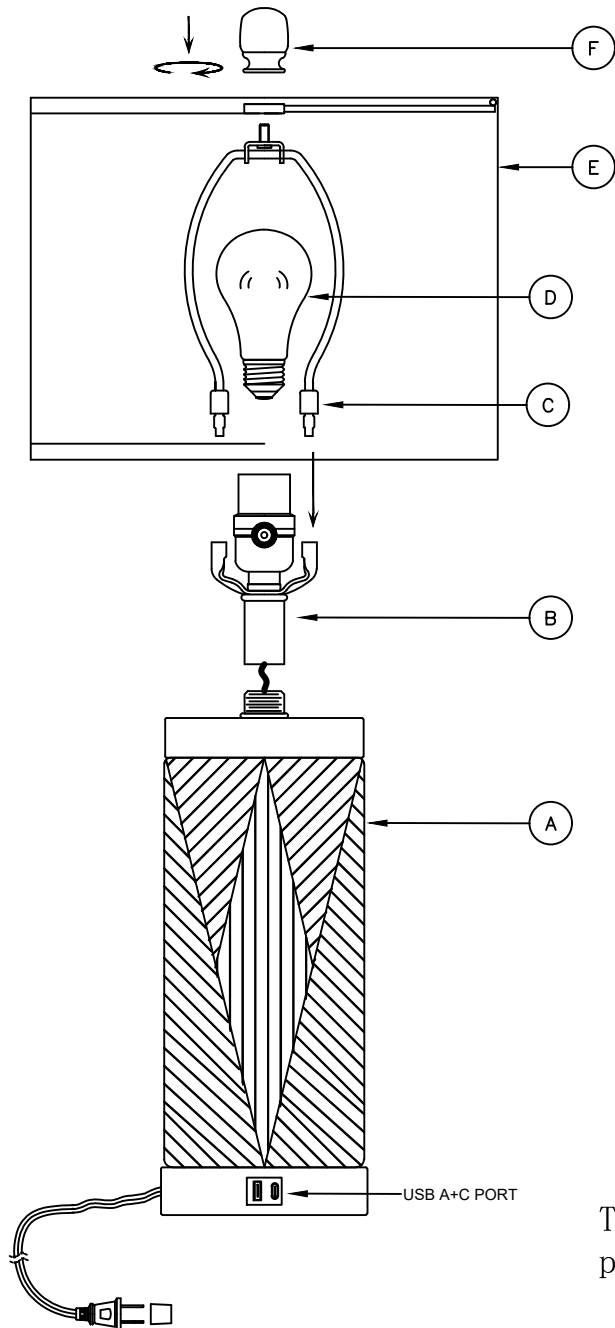


TL-0012 TABLE LAMP INSTALLATION INSTRUCTIONS



FIXTURE INSTALLATION

1. Screw SOCKET KIT(B) onto the LAMP BODY(A) of the fixture .
2. Insert HARP(C) into saddle .
3. Install the BULB(D Not included) into the SOCKET of the fixture .THIS FIXTURE IS RATED FOR MAX 60 WATT TYPE A LAMP. DO NOT EXCEED THE RECOMMENDED WATTAGE!
4. Place SHADE(E) to the HARP(C) then secure it with FINIAL(F).
5. Plug the cord into the wall outlet ,then turn on the switch on the socket .

⚠ THIS PRODUCT IS NOT A TOY AND HAS NO PLAY VALUE.

SPECIFICATION

MODEL	TL-0012	SIZE	D32*H63CM
INPUT RATING	110-120V 60Hz	WATTAGE	MAX 60W
BULB	A19 (NOT INCLUDED)	SOCKET TYPE	E26
NET WEIGHT	2100g	GROSS WEIGHT	2500g

Thank you very much for purchasing our product ! If you have any questions please do not hesitate contact us .Service.ht.us@hotmail.com