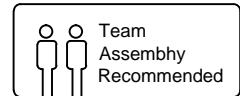
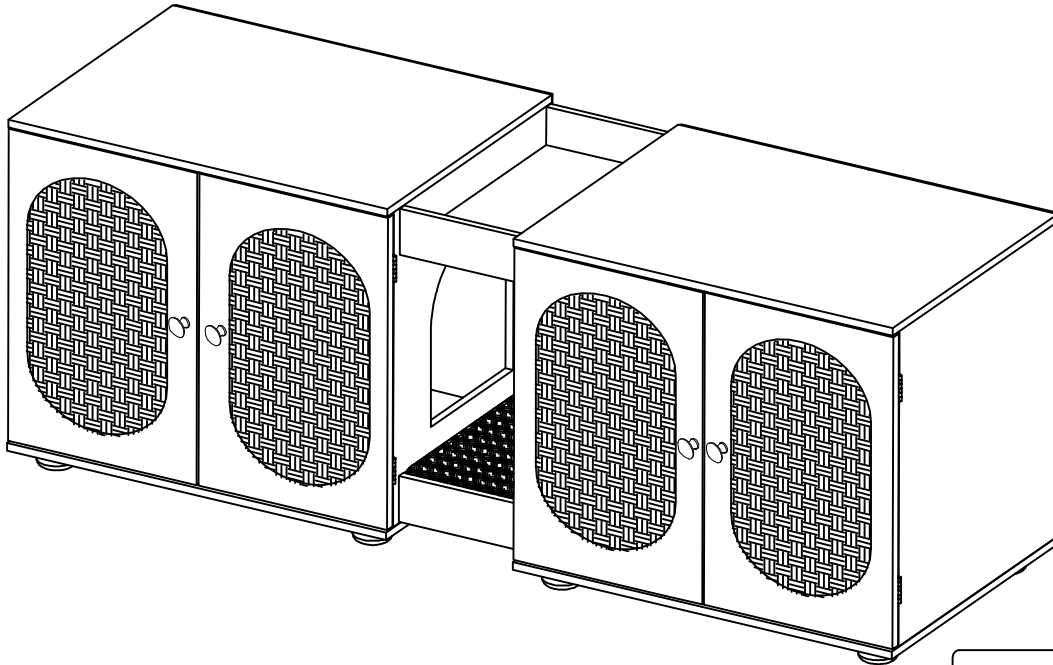


Assembly instruction



Trouble shooting:

Missing/Wrong /Broken parts and installation issues



Respond within 24 hours



Issue resolved

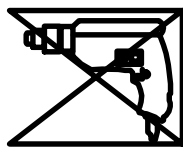
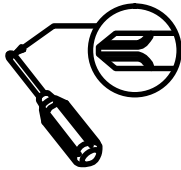
Tips!



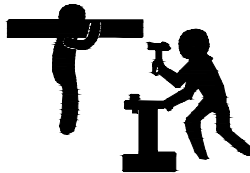
1. Check all the components & screws are intact before assembling .
2. If you notice any pieces are missing or damaged please do not assemble and contact us immediately .
3. **Please send an email with you order number and issues,we will respond within 24 hours.**

Tools required

A Phillips head screw driver is required for the assembly of this product. (not included)
Electric tool should not be used to assemble this product.



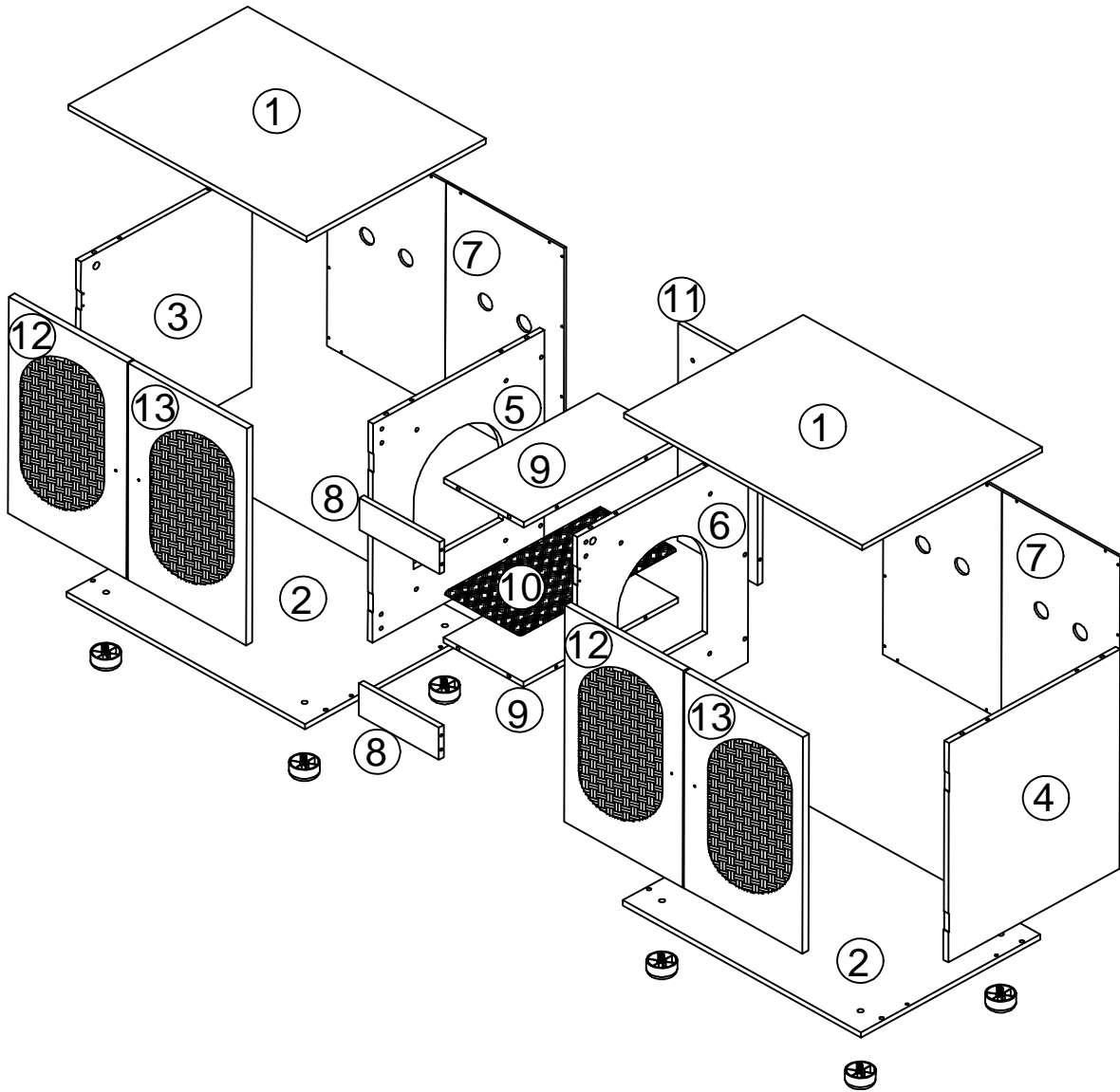
Two people are needed



IMPORTANT SAFETY INFORMATION

- Please carefully read the following instructions and caution warnings before assembling the product.
- Following this guide will ensure that you install, use and maintain the product properly.
- Please keep this installation and user manual/instructions for future reference in case you need to disassemble the product.
- Never allow children to climb onto the product. Ensure that you have special safety measures when children are around on their own.
- Be sure to check that all parts of the product are intact after you open the package.
- Do not assemble if you notice serious damage such as cracks or bends.
- During installation, please use work gloves for hand safety.
- Please assemble the unit on carpeted floor or the flat cardboard box to avoid scratching the surface or your floor while assembling on the floor.
- To assemble, please use the complimentary installation tools (Phillips screwdriver). Pay more attention to the direction of components at each steps.
- It is recommended that two people work together to assemble the product.

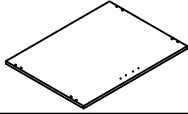
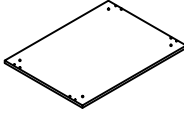
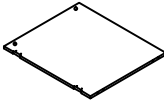
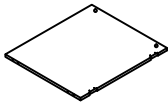
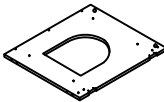
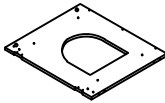
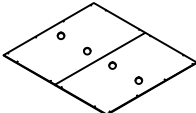
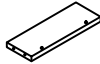
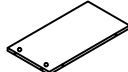
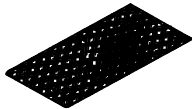
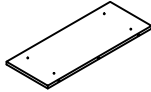
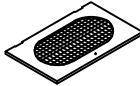

Please check that you have all the parts listed below
















Note: Don't tighten all screws during installation.

HARDWARE LIST

Components:

	① X2
	② X2
	③ X1
	④ X1
	⑤ X1
	⑥ X1
	⑦ X2
	⑧ X2
	⑨ X2
	⑩ X1
	⑪ X1
	⑫ X2
	⑬ X2

Screws & Tools:

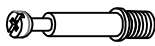


(A)		∅6*28mm	12+1pcs
(B)		∅15x9 mm	12+1pcs
(C)		∅6x30 mm	16+1pcs
(D)		∅5x40 mm	34+1pcs
(E)		∅3.5x12 mm	56+1pcs
(F)		∅3.5x14 mm	32+1pcs
(G)			8pcs
(H)			8pcs
(R)			4pcs
(S)		M4x18mm	4pcs
(J)		M3mm	1pcs
(M)			4pcs
(N)			4pcs

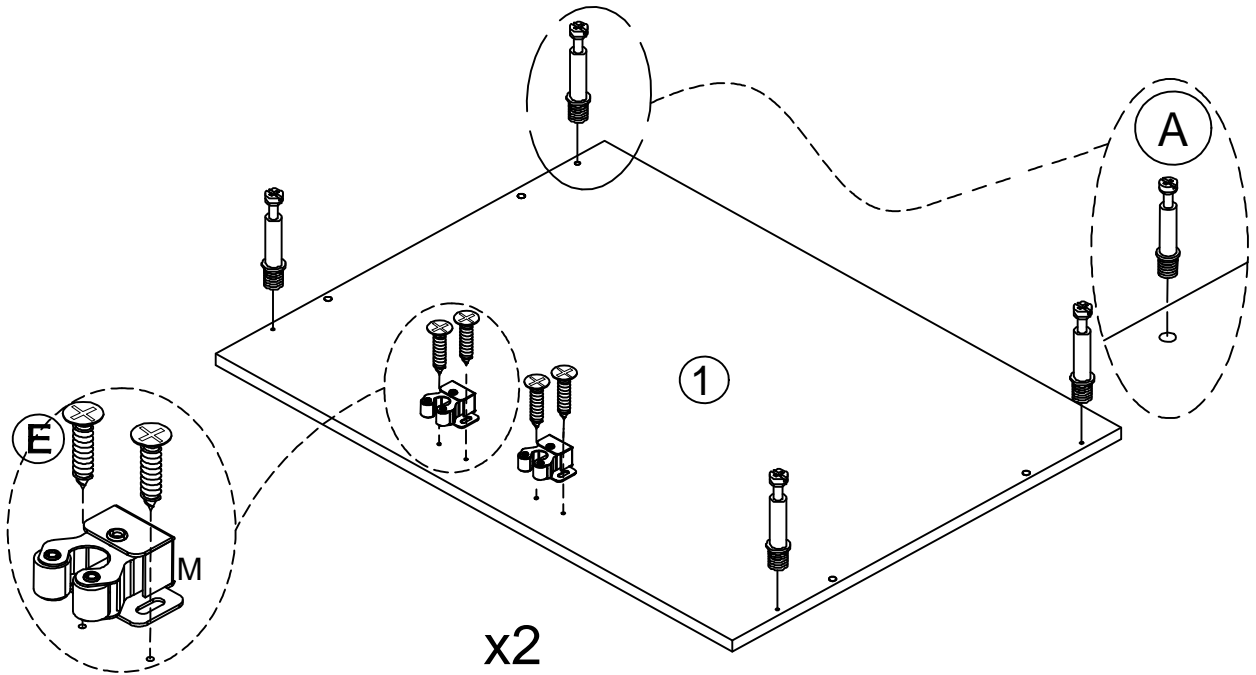
Check all the components & screws before assembly.

Do not install in case part is missing, contact us to get.

We will resend within 24 hours.


Step 1

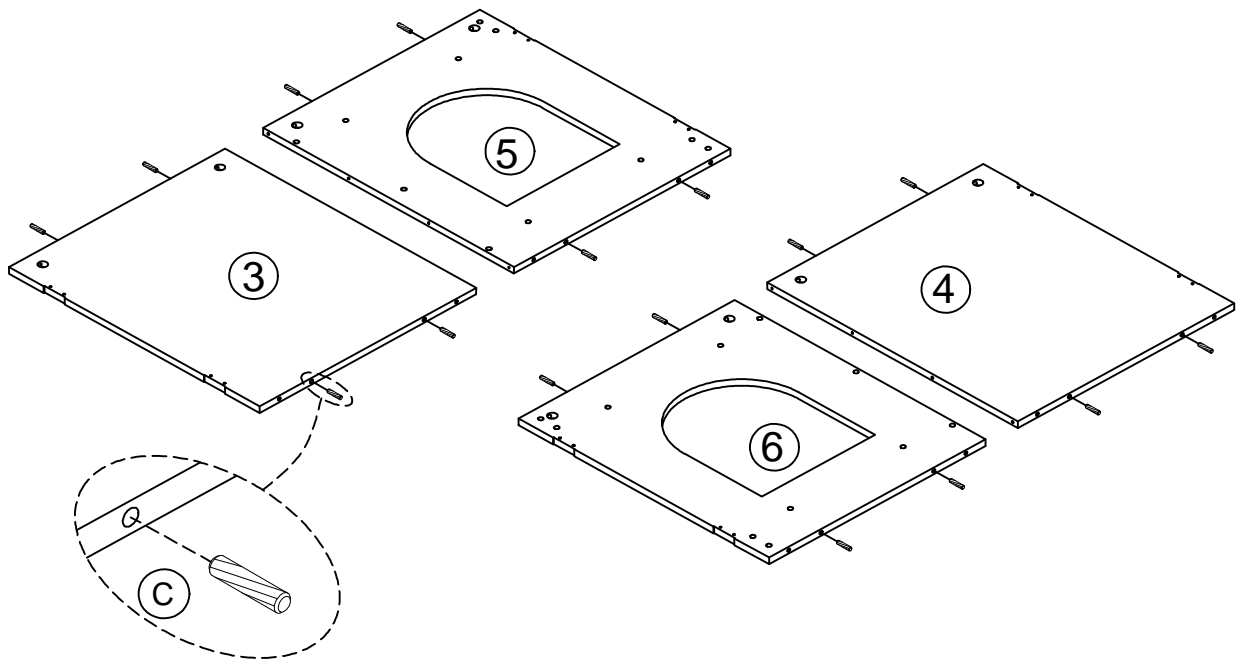
(A) x 8pcs 	(M) x 4pcs 	(E) x 8pcs 
--	---	---



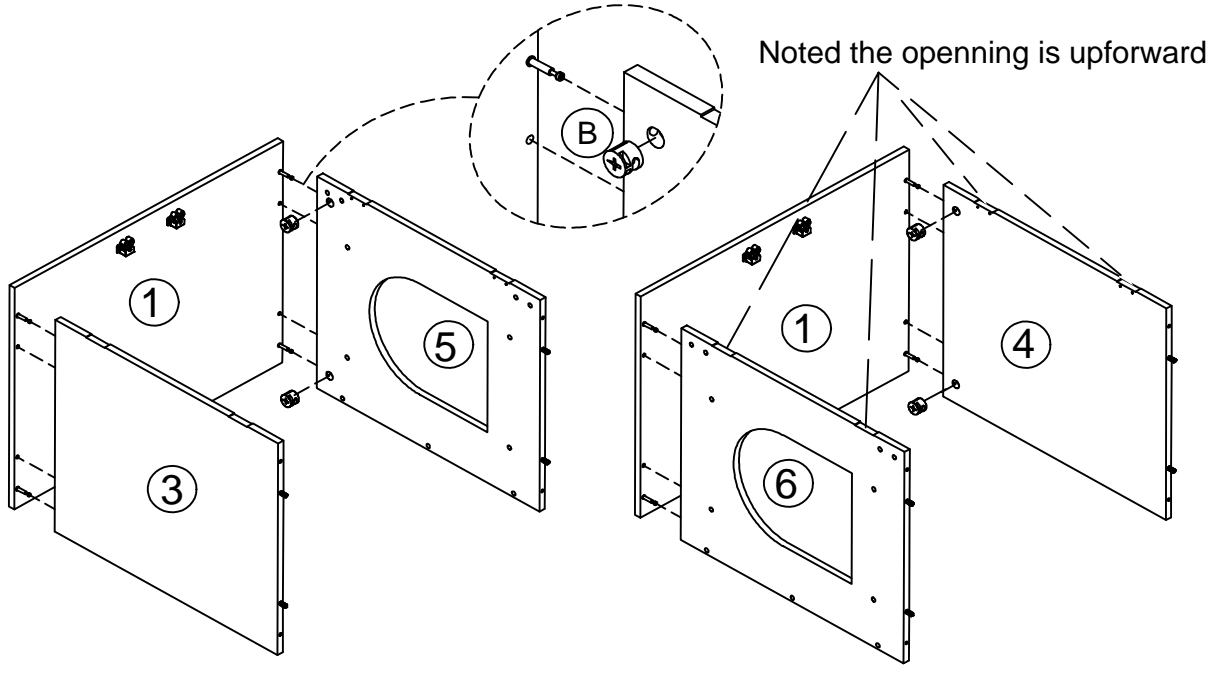
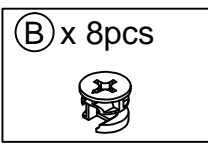
Noted the screw is #E

Step 2

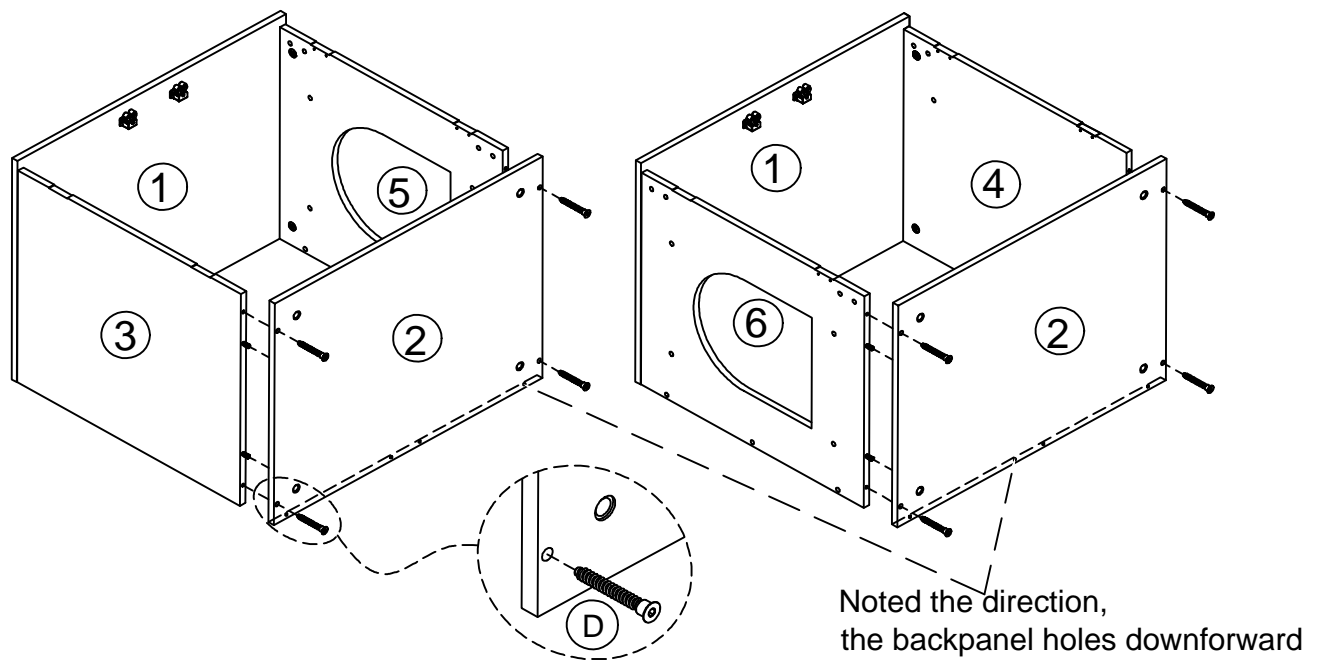
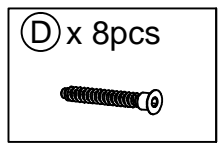
(C) x 16pcs 
--



Step 3

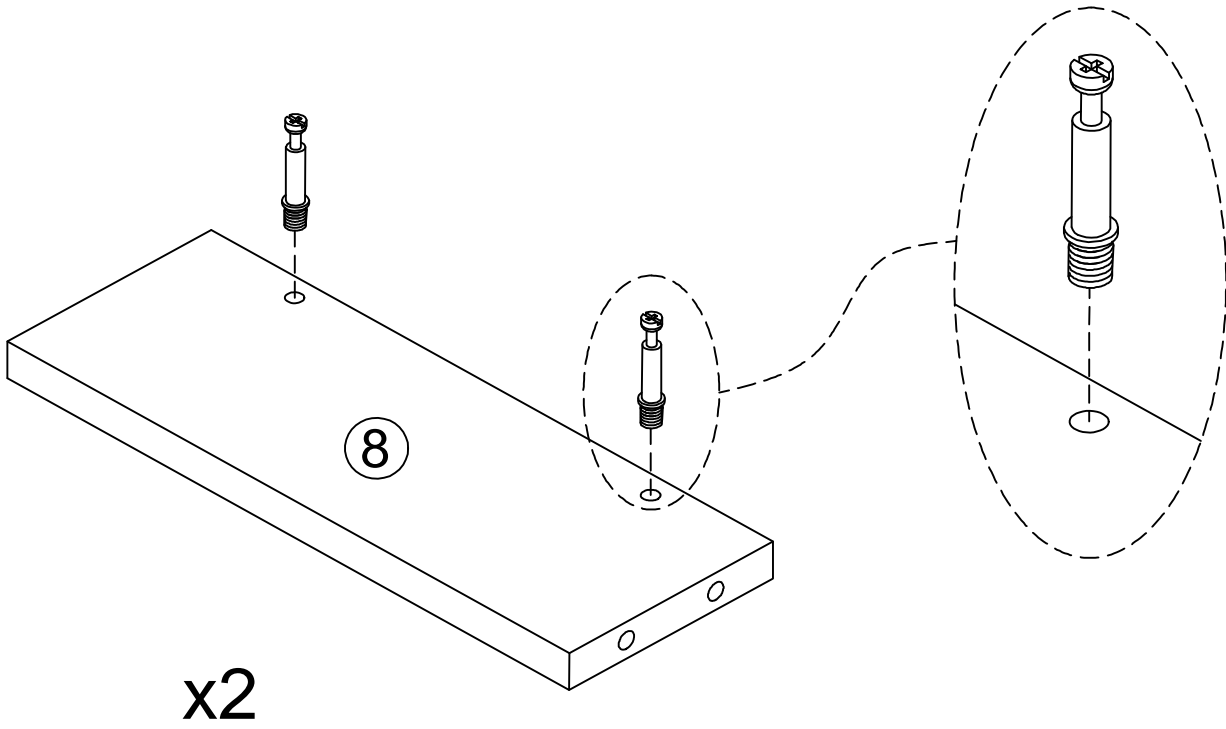
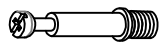


Step 4



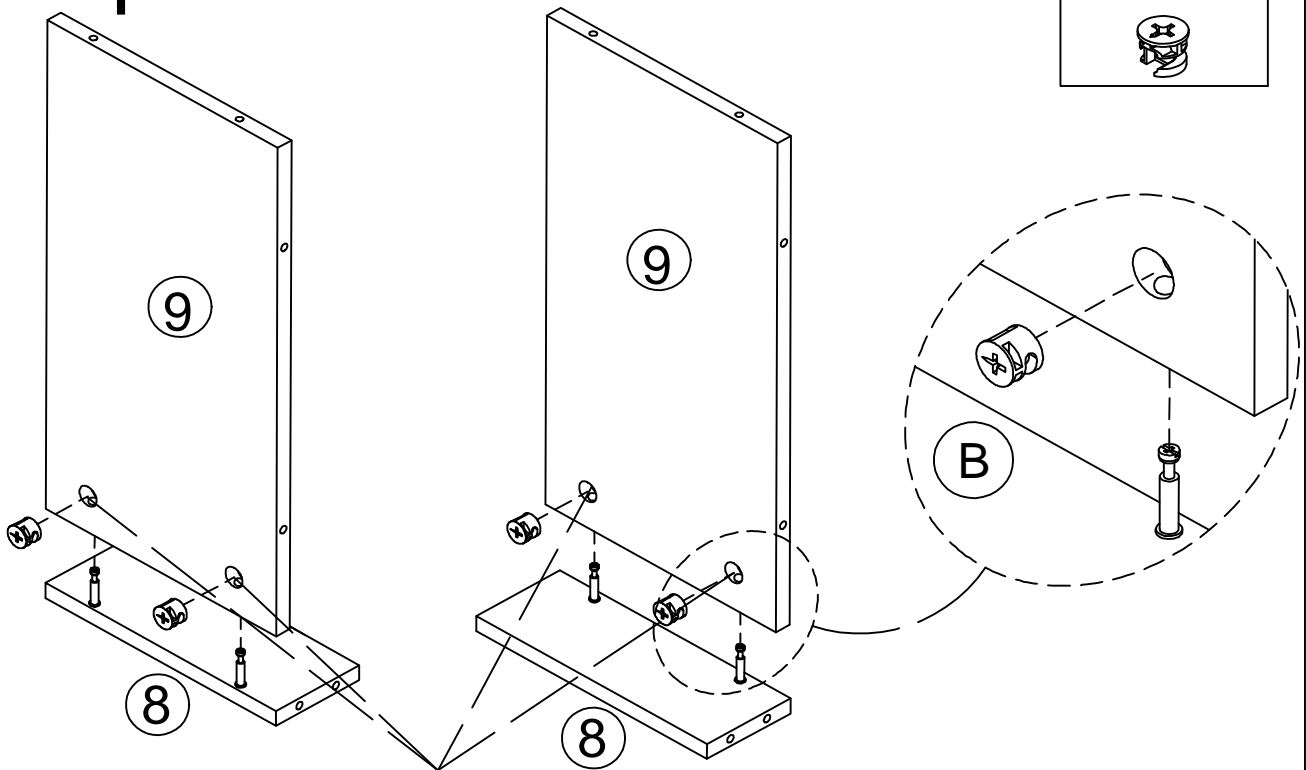

Step 5

(A) x 4pcs



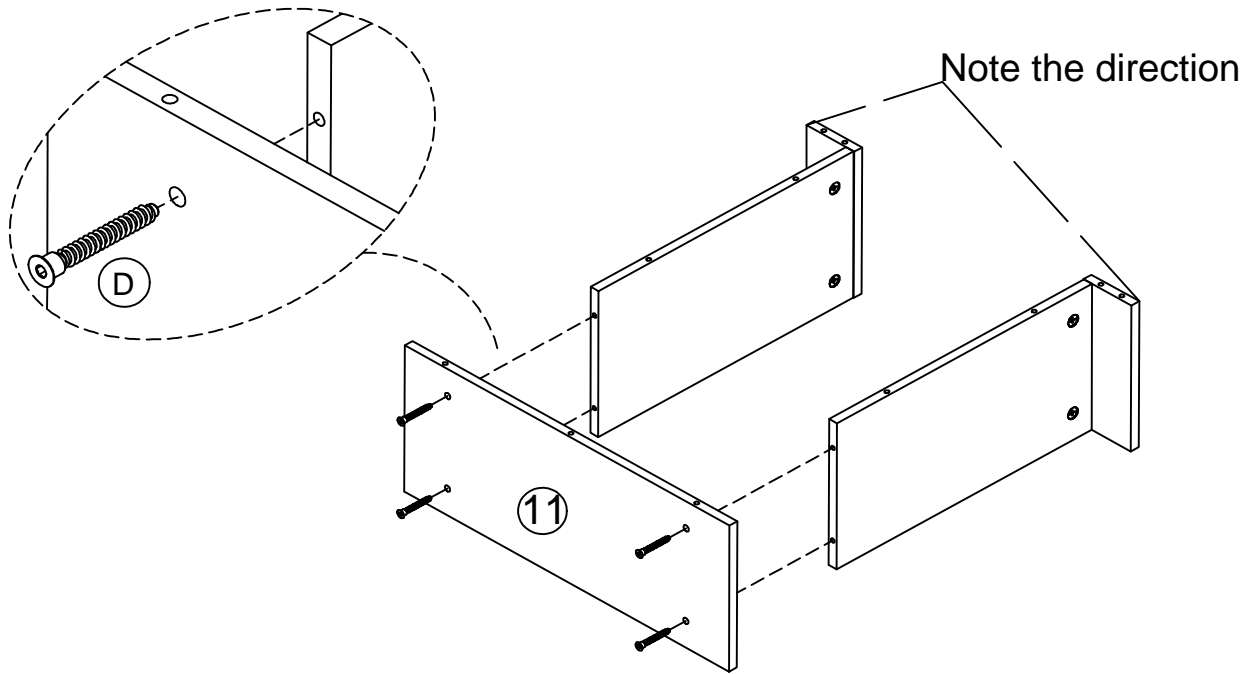
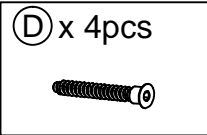
Step 6

(B) x 4pcs

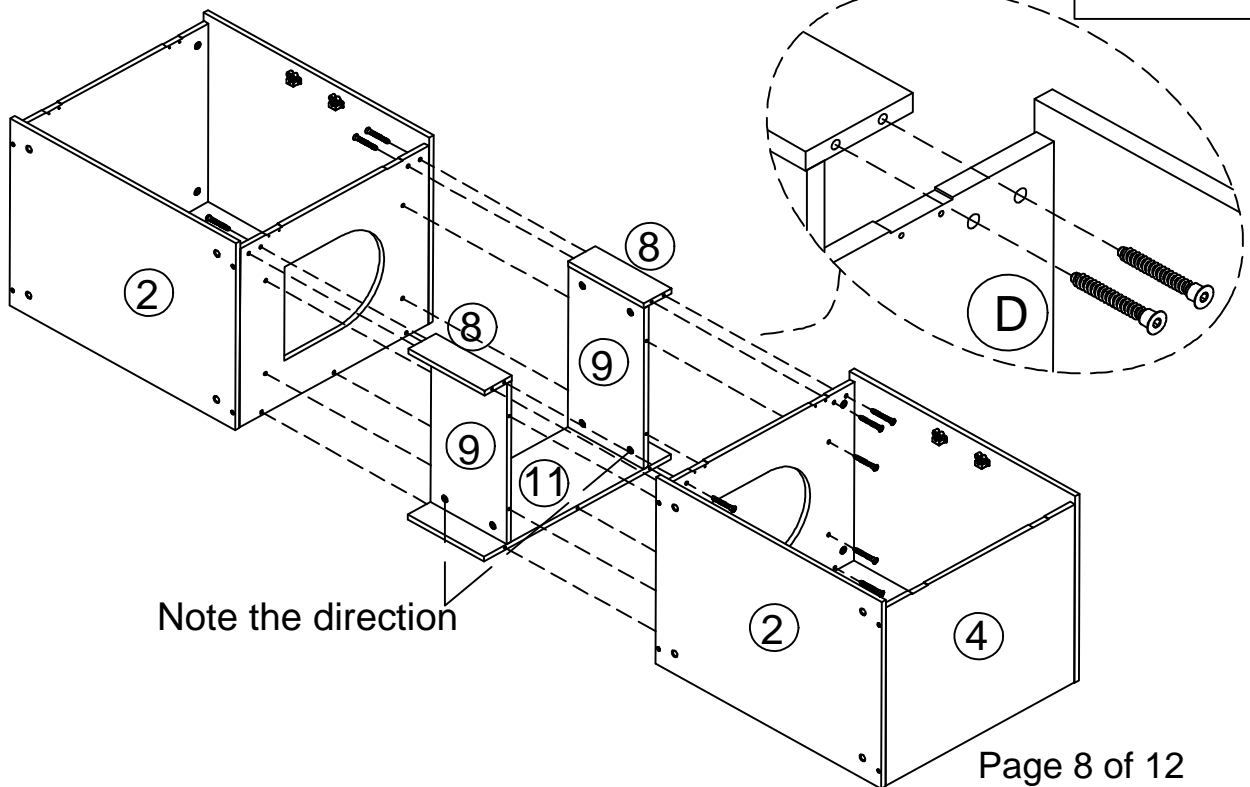
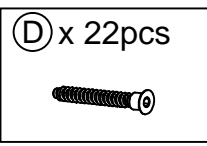


Note the direction

Step 7

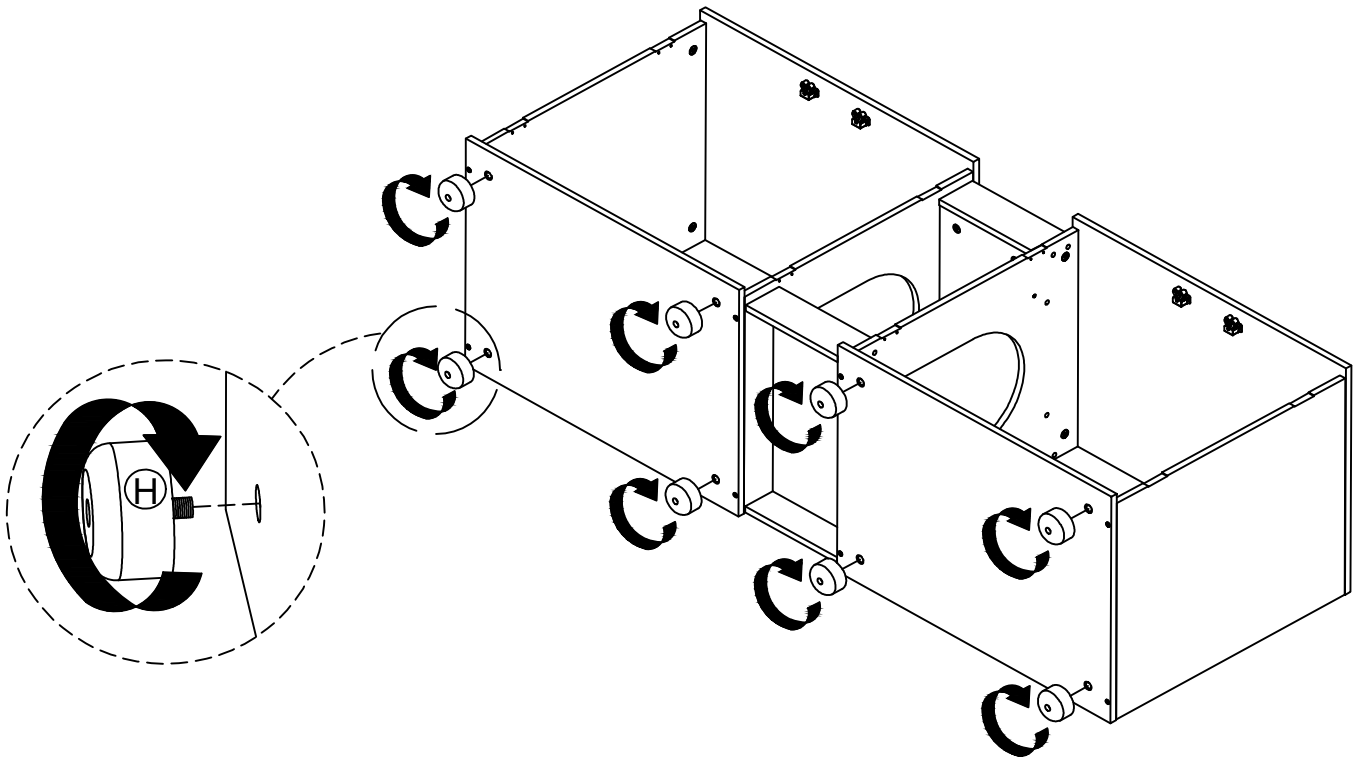


Step 8



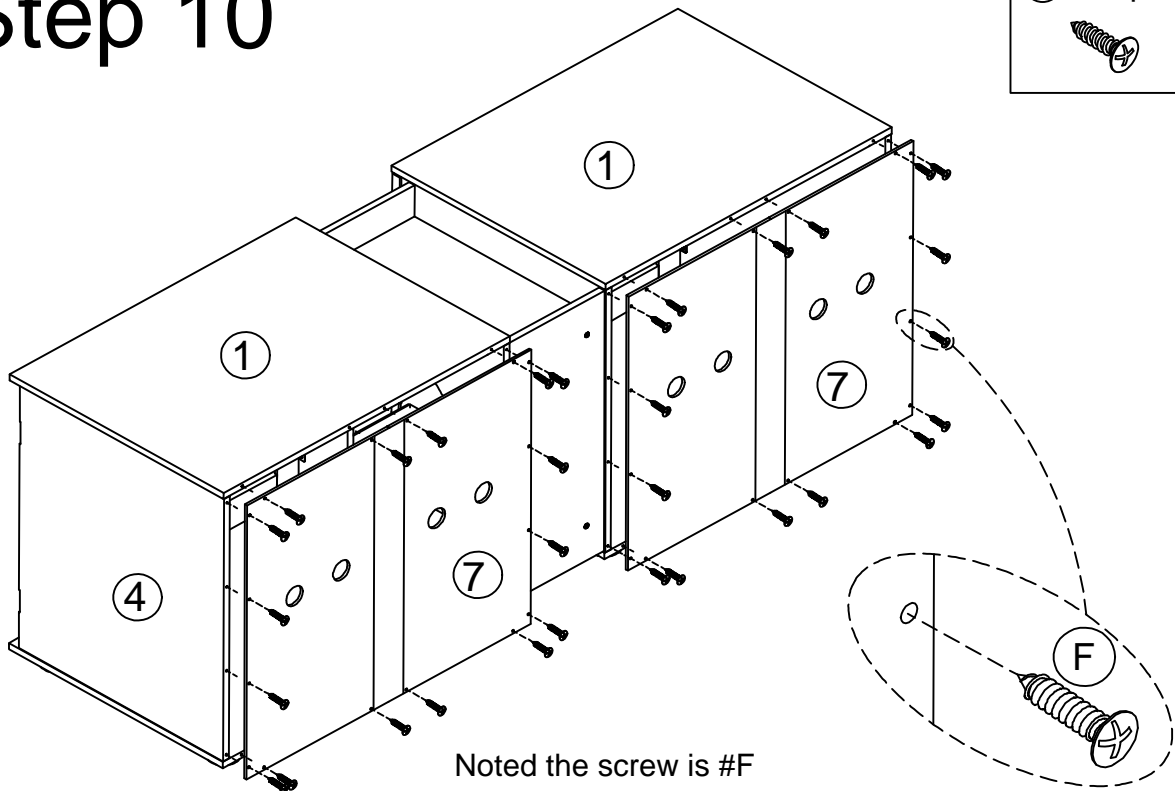
Step 9

(H) x 8pcs





Step 10

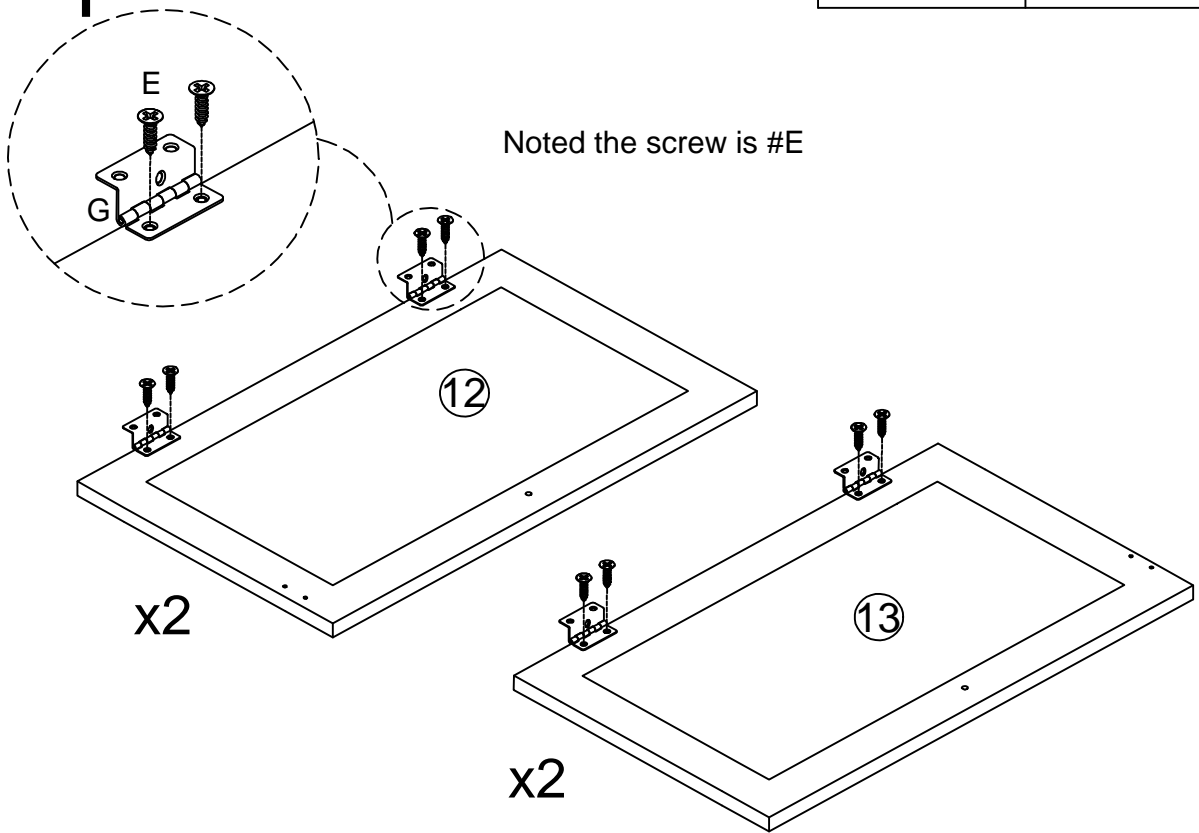
(F) x 32pcs







Noted the screw is #F

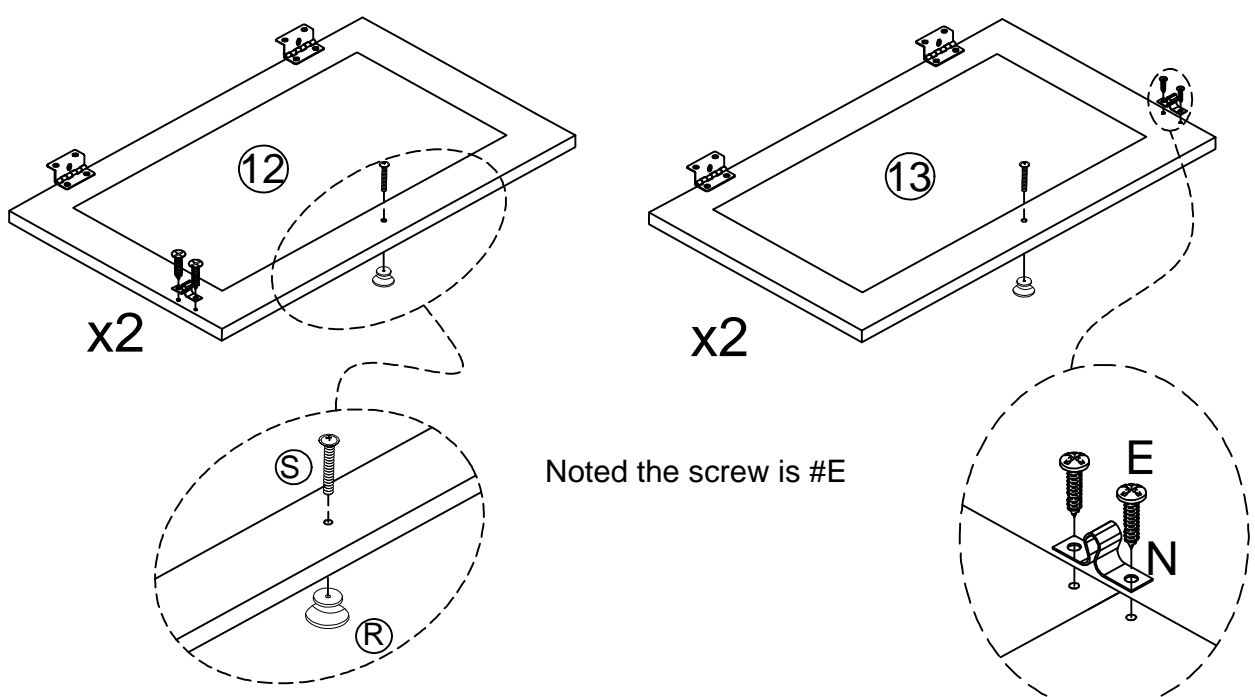
Step 11


(E) x 16pcs 	(G) x 8pcs 
--	---



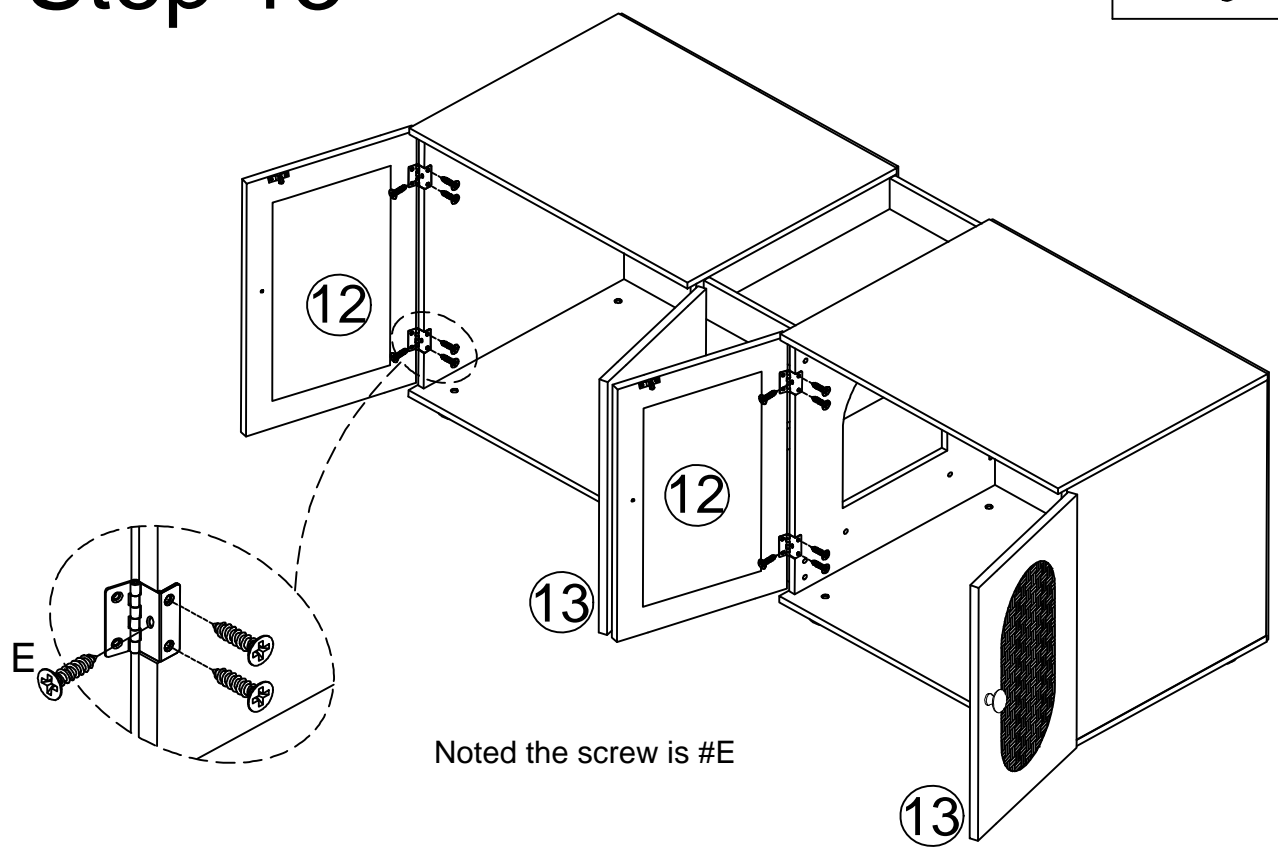
Step 12

(E) x 8pcs 	(R) x 4pcs 	(S) x 4pcs 	(N) x 4pcs 
---	---	---	---

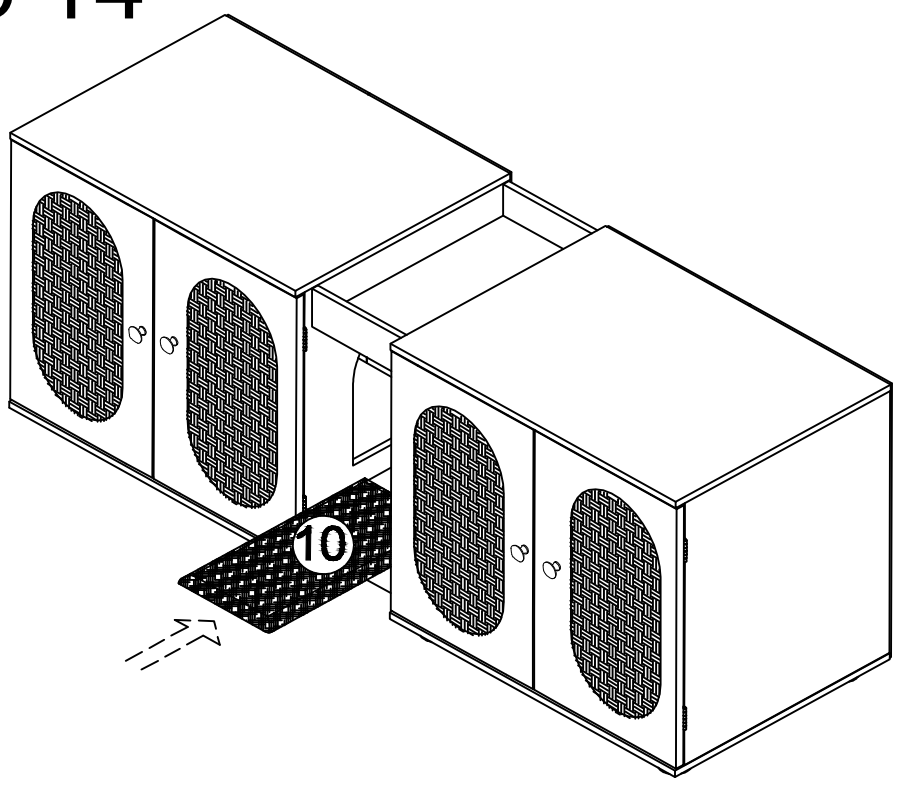


(E) x 24pcs


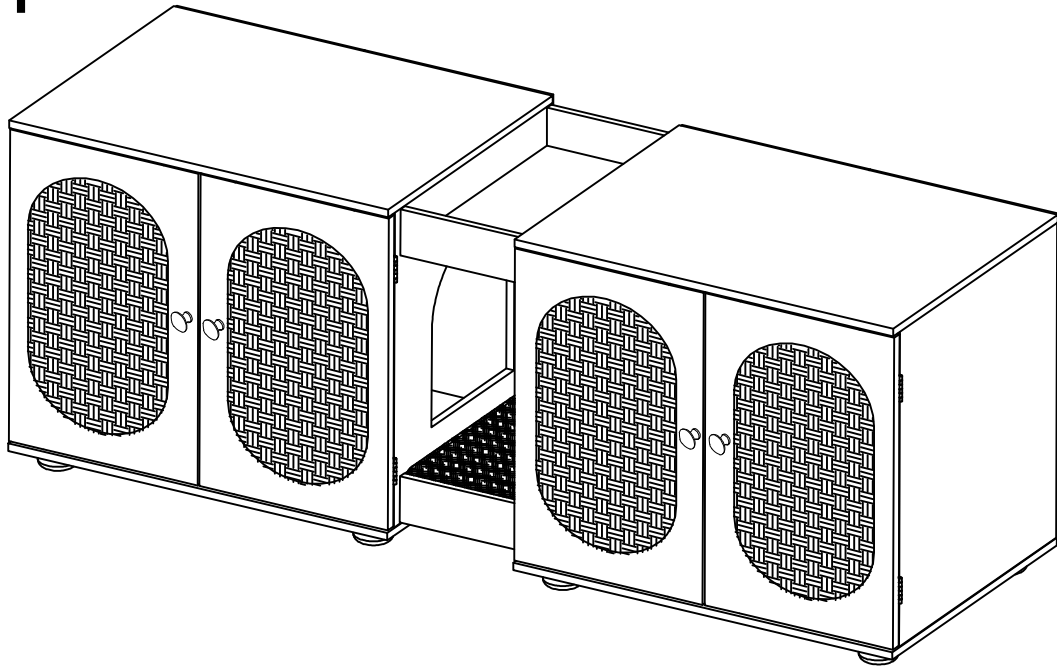
Step 13



Step 14



Step 15



When the door gap is uneven, please adjust the lever foot #H, This will solve the issue of uneven door gaps.

CONTACT US

Dear customer, thank you for purchasing Idealhouse products! We are proud to present our customers with high quality products!



If you have any product quality or use problems, please contact our customer service by email, we will ensure your satisfaction.



If you are satisfied with our products, please share your amazing experience with us and other customers! It would be our honor to hear from you!

