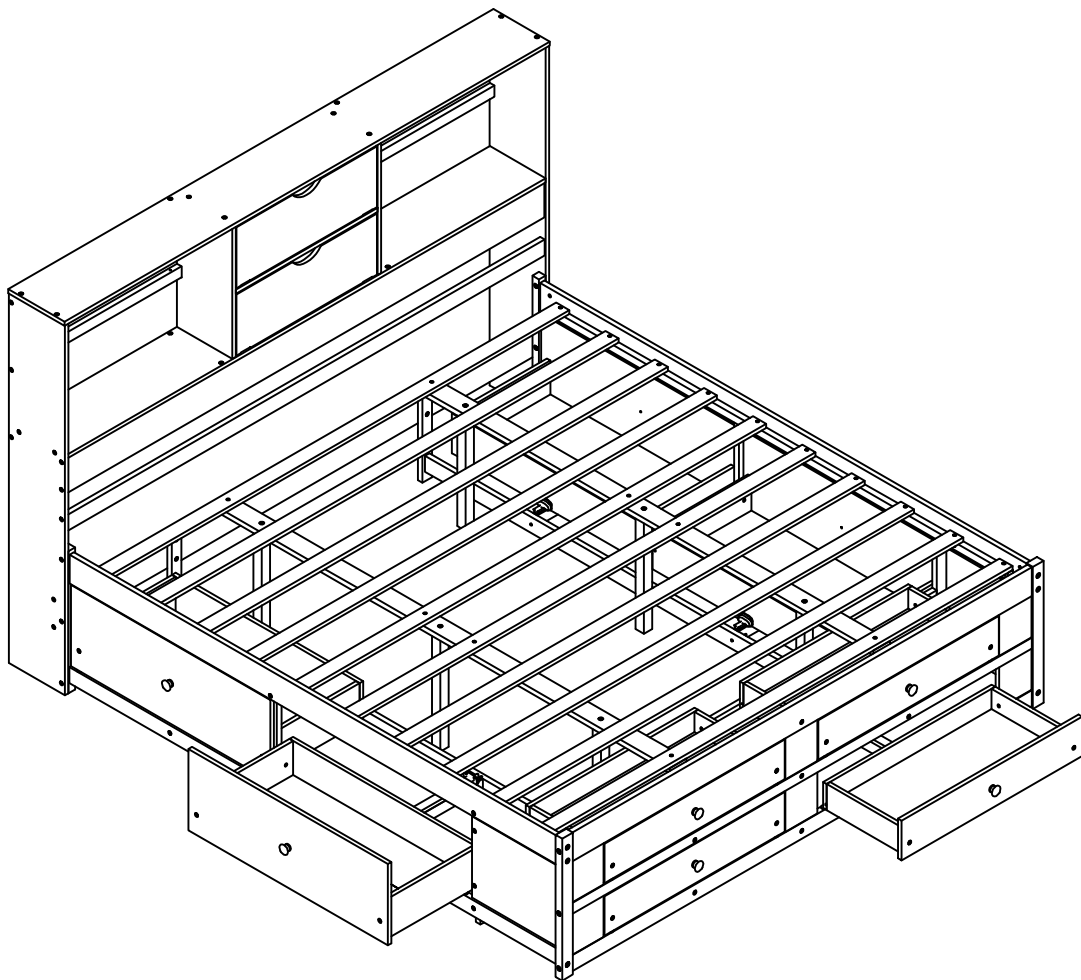
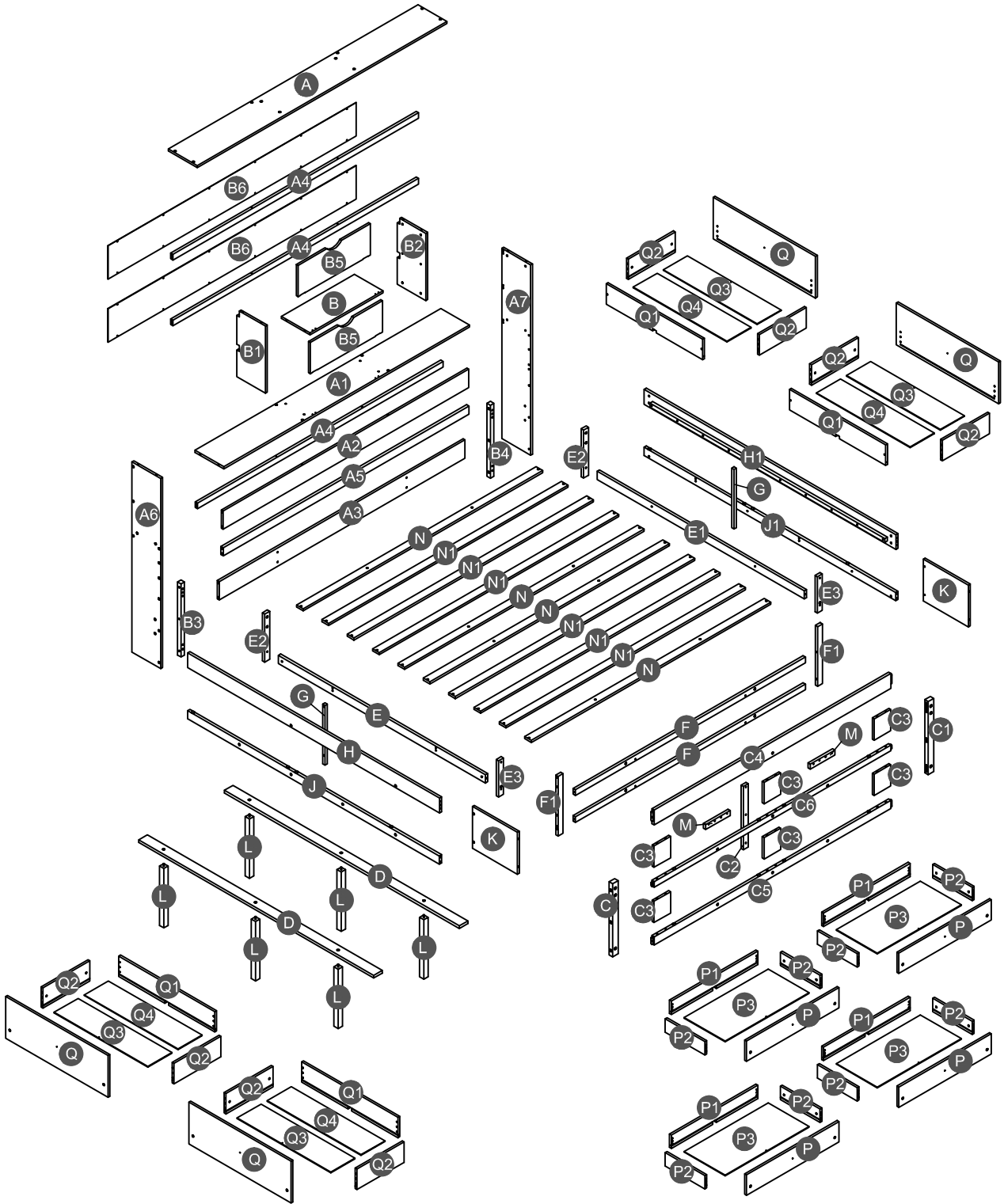


ASSEMBLY INSTRUCTIONS

KING BED WITH HB BOOKCASE AND 8 DRAWERS

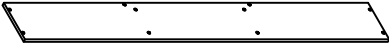
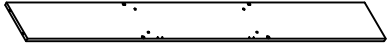
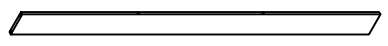
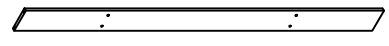

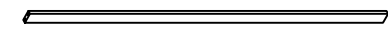
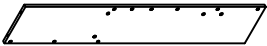
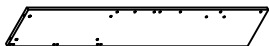


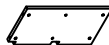
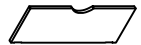
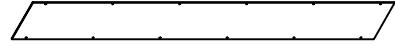





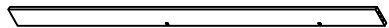


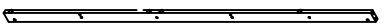


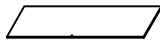
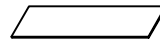


Detail View






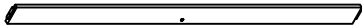


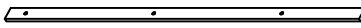




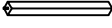




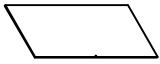
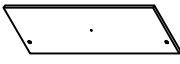

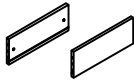


Part List



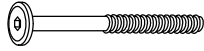
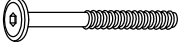
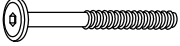




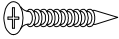










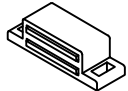
Hardware inside

A  Top panel HB - 1pc	A1  Shelf panel HB - 1pc	A2  Upper horizontal bar HB - 1pc
A3  Lower horizontal bar HB - 1pc	A4  Horizontal bar HB (Back) - 3pcs	A5  Lower horizontal bar HB - 1pc
A6  Side panel HB (Left) - 1pc	A7  Side panel HB (Right) - 1pc	B  Divider shelf panel HB - 1pc
B1  Divider panel HB (Left) - 1pc	B2  Divider panel HB (Right) - 1pc	B5  Door HB - 2pcs
B6  Back panel HB - 2pcs	C2  Vertical bar support FB - 1pc	E2  Vertical bar support - 2pcs
E3  Vertical bar support - 2pcs	F1  Vertical bar support - 2pcs	G  Vertical bar support - 2pcs
H  Side rail - 1pc	H1  Side rail - 1pc	J  Horizontal bar - 1pc
J1  Horizontal bar - 1pc	P1  Back drawer panel - 4pcs	P2  Left / right drawer panel - 8pcs
Q3  Drawer bottom - 4pcs	Q4  Drawer bottom - 4pcs	

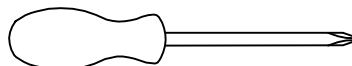
Part List

B3  Support HB (Left) - 1pc	B4  Support HB (Right) - 1pc	C  Leg FB (Left) - 1pc
C1  Leg FB (Right) - 1pc	C3  Panel FB - 6pcs	C4  Upper horizontal bar FB - 1pc
C5  Lower horizontal bar FB - 1pc	C6  Divider horizontal bar FB - 1pc	D  Lower support slat - 2pcs
E  Horizontal bar - 1pc	E1  Horizontal bar - 1pc	F  Horizontal bar FB - 2pcs
K  Side panel FB (Left/Right) - 2pcs	L  Leg support - 6pcs	M  Support FB - 2pcs
N  Slat - 4pcs	N1  Slat - 6pcs	P  Front drawer panel - 4pcs
P3  Drawer bottom - 4pcs	Q  Front drawer panel - 4pcs	Q1  Back drawer panel - 4pcs
Q2  Left / right drawer panel - 8pcs		

Hardware List

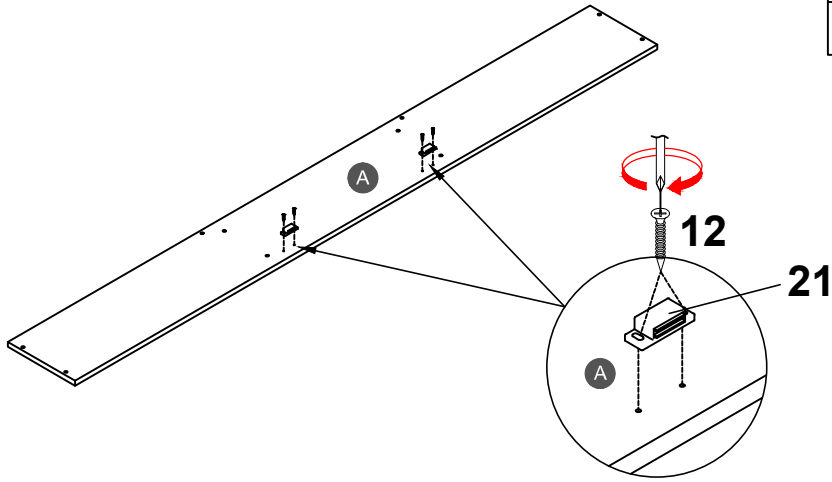
1	 42*12*1mm Metal magnet (4pcs)	2	 Ø8*30mm Wood dowel (116pcs)	3	 (Ø15)1/4"*80mm Hex-Head bolts (18pcs)
4	 (Ø12)1/4"*70mm Hex-Head bolts (4pcs)	5	 (Ø12)1/4"*60mm Hex-Head bolts (86pcs)	6	 (Ø12)1/4"*40mm Hex-Head bolts (6pcs)
7	 (Ø12)1/4"*30mm Hex-Head bolts (23pcs)	8	 1/4"*15 (9.5mm) Horizontal-Hole bolts(108pcs)	9	 (Ø12)1/4"*40mm Hex-Head bolts (5pcs)
10	 Ø4*30mm Wood screws (48pcs)	11	 Ø3.5*15mm Wood screws (24pcs)	12	 Ø3.5*15mm Wood screws (48pcs)
13	 70*35*19 mm Drawer stopper (8pcs)	14	 (1/4")4.5*58mm Allen key (1pc)	15	 365*58*28 mm Lower slider drawer (4pcs)
16	 455*58*28 mm Lower slider drawer (4pcs)	17	 340*30mm Upper slider drawer (4pcs)	18	 400*30mm Upper slider drawer (4pcs)
19	 Ø38*31mm Pine Knob (8pcs)	20	 3/16"*25mm Ph zinc(Knob) (8pcs)	21	 45*17*13mm Door catch (4pcs)


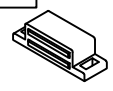
ASSEMBLY TOOLS REQUIRED (NOT INCLUDED)



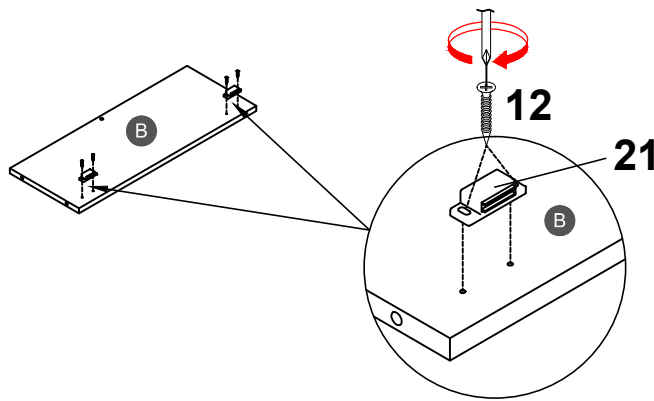
PLEASE BE CAREFUL DO NOT DAMAGE THE HOLE POSITION WHEN YOU USE POWER TOOLS !


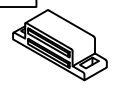
STEP 1:



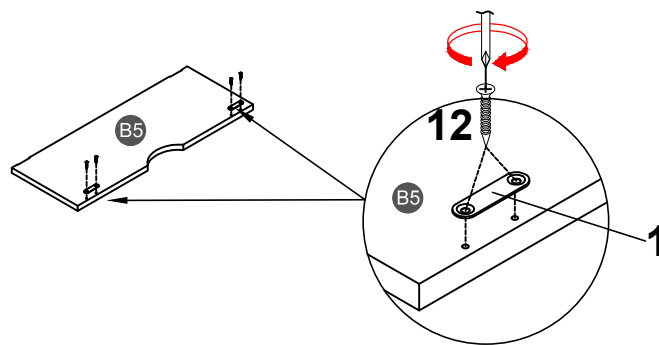
12 	21 
4PCS	2PCS



STEP 2:



12 	21 
4PCS	2PCS

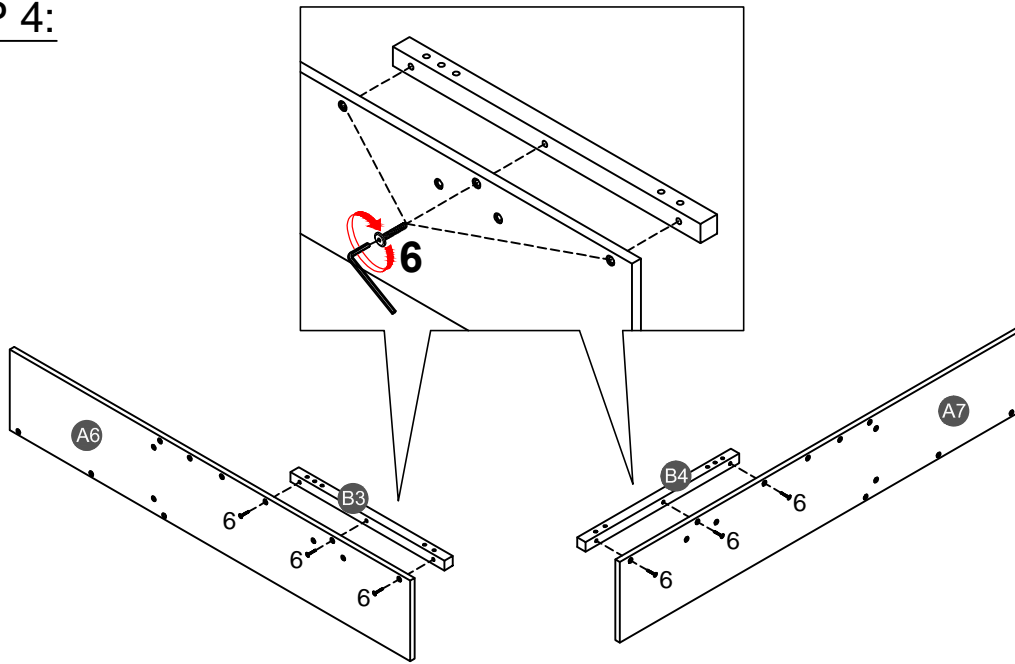
STEP 3:



1 	12 
4PCS	8PCS

x 2

STEP 4:

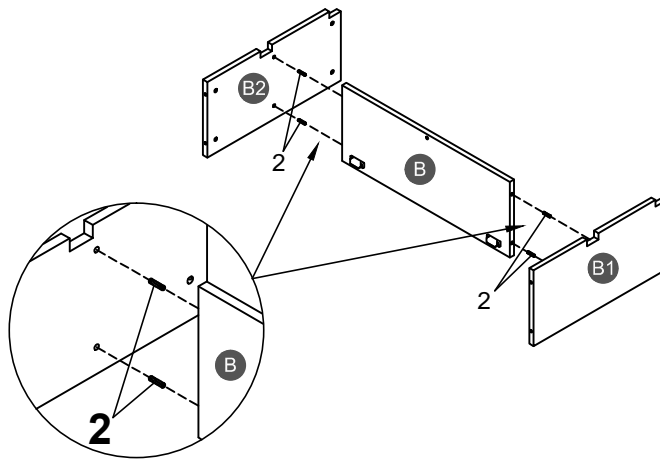


6



6PCS

STEP 5:

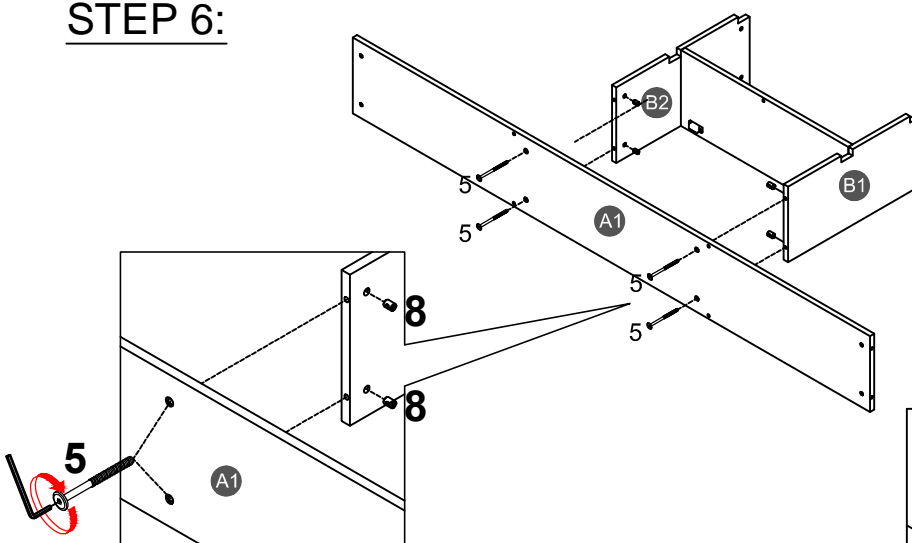


2



4PCS

STEP 6:



5



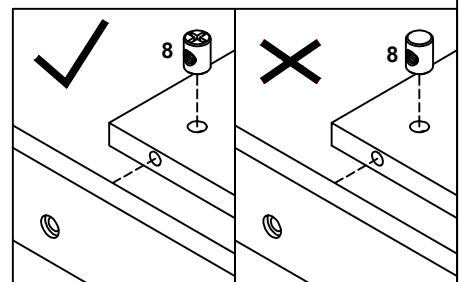
4PCS

8






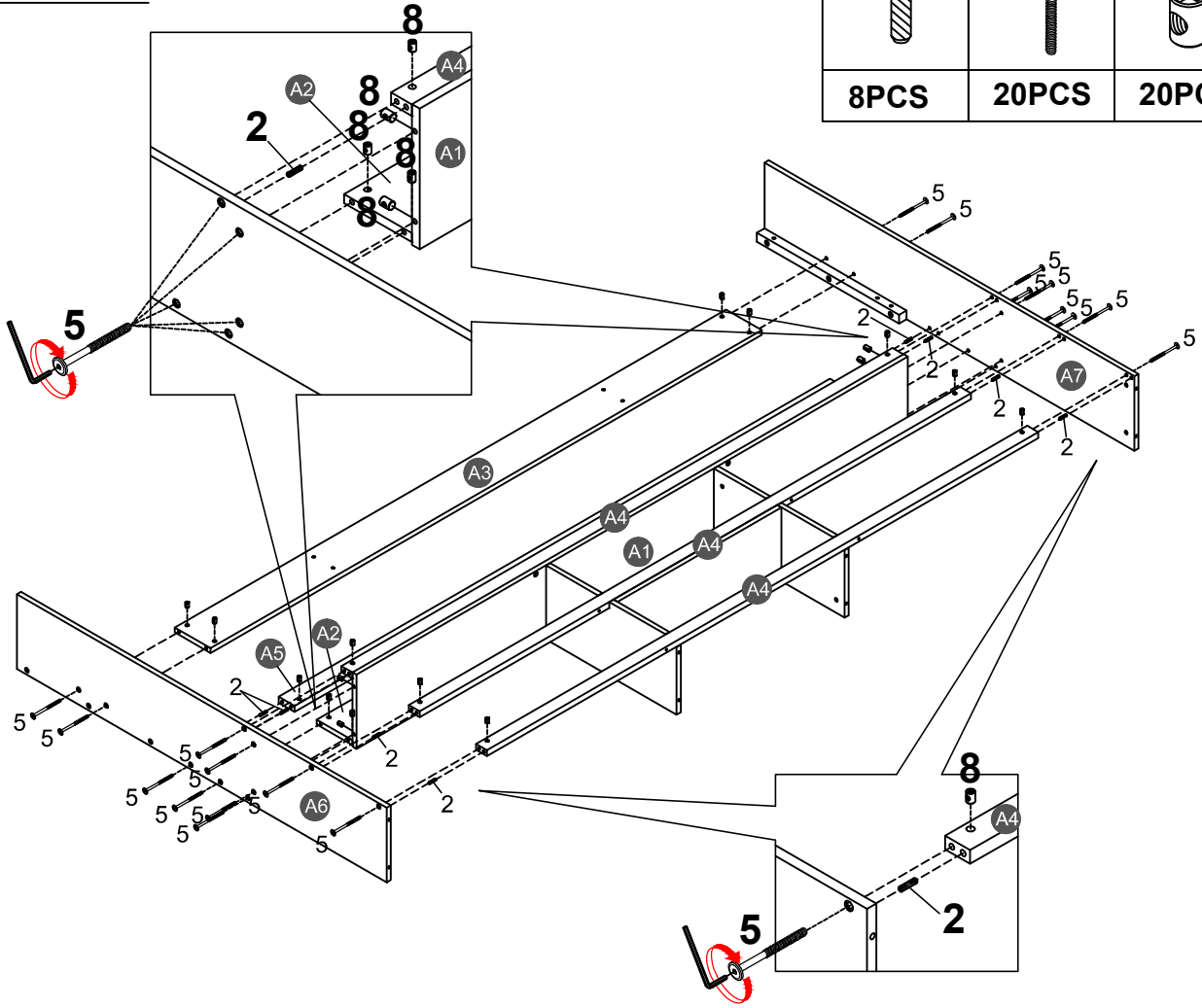
4PCS

Note: Part 8 will face up with the "x" mark on it, otherwise it cannot be tightened




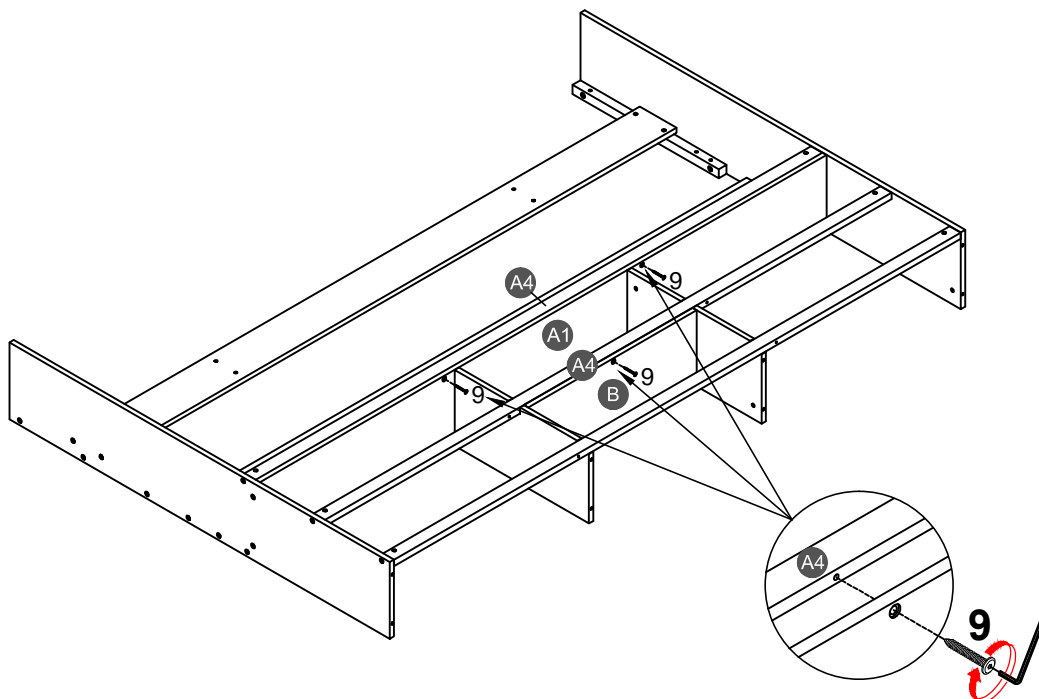
STEP 7:

2		5		8	
8PCS		20PCS		20PCS	

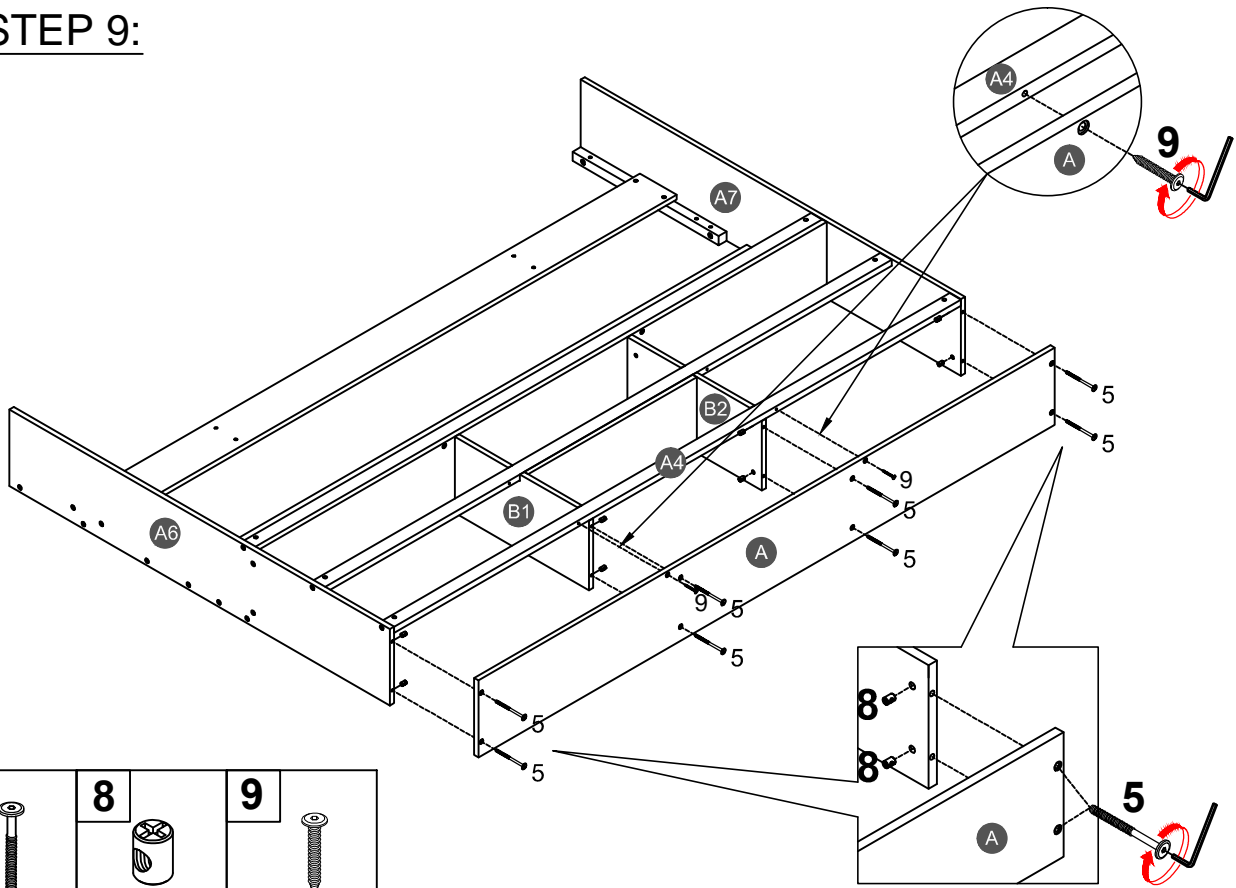




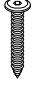
STEP 8:

9	
3PCS	

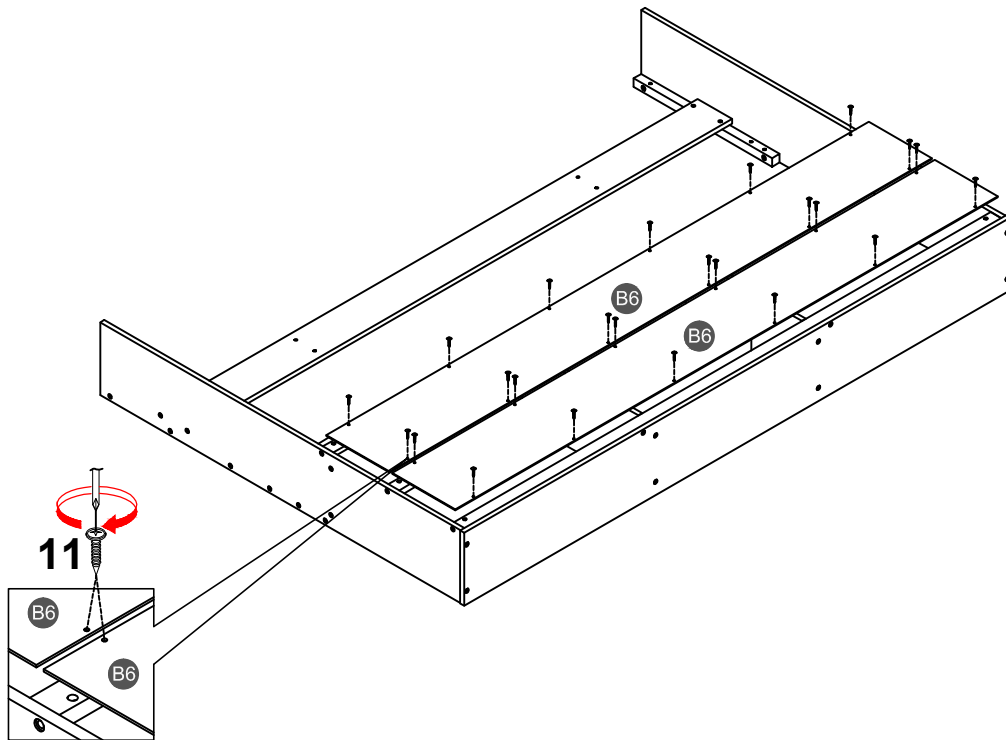



STEP 9:





5	8	9
		
8PCS	8PCS	2PCS

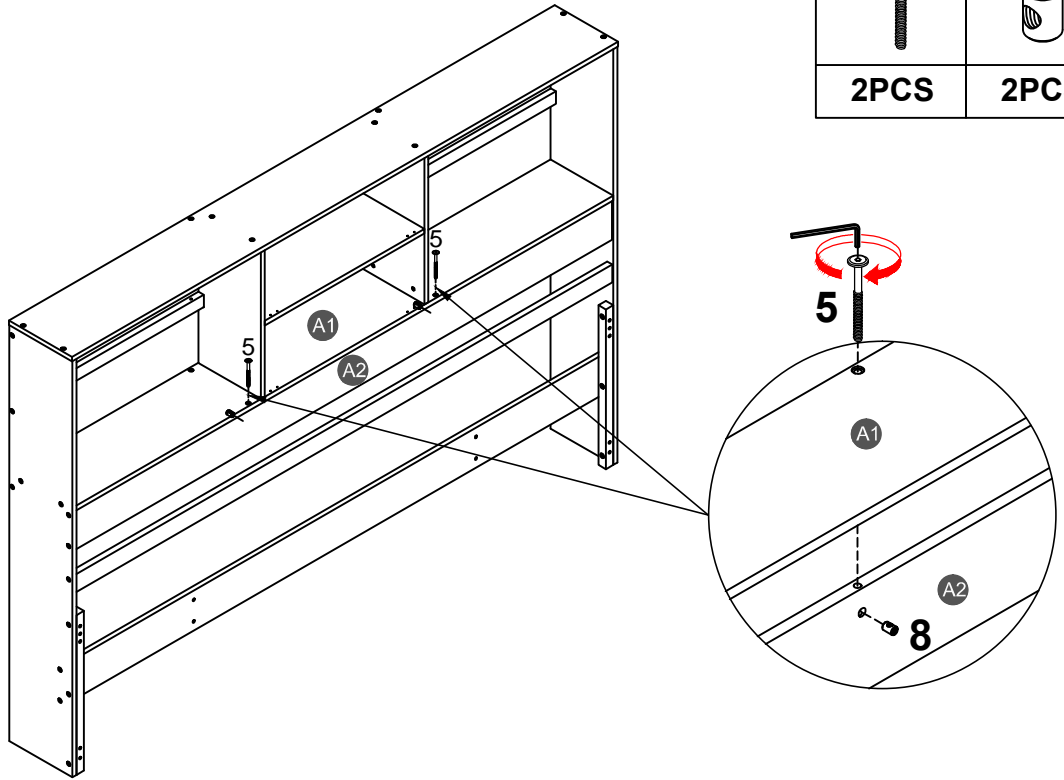
STEP 10:




11

24PCS

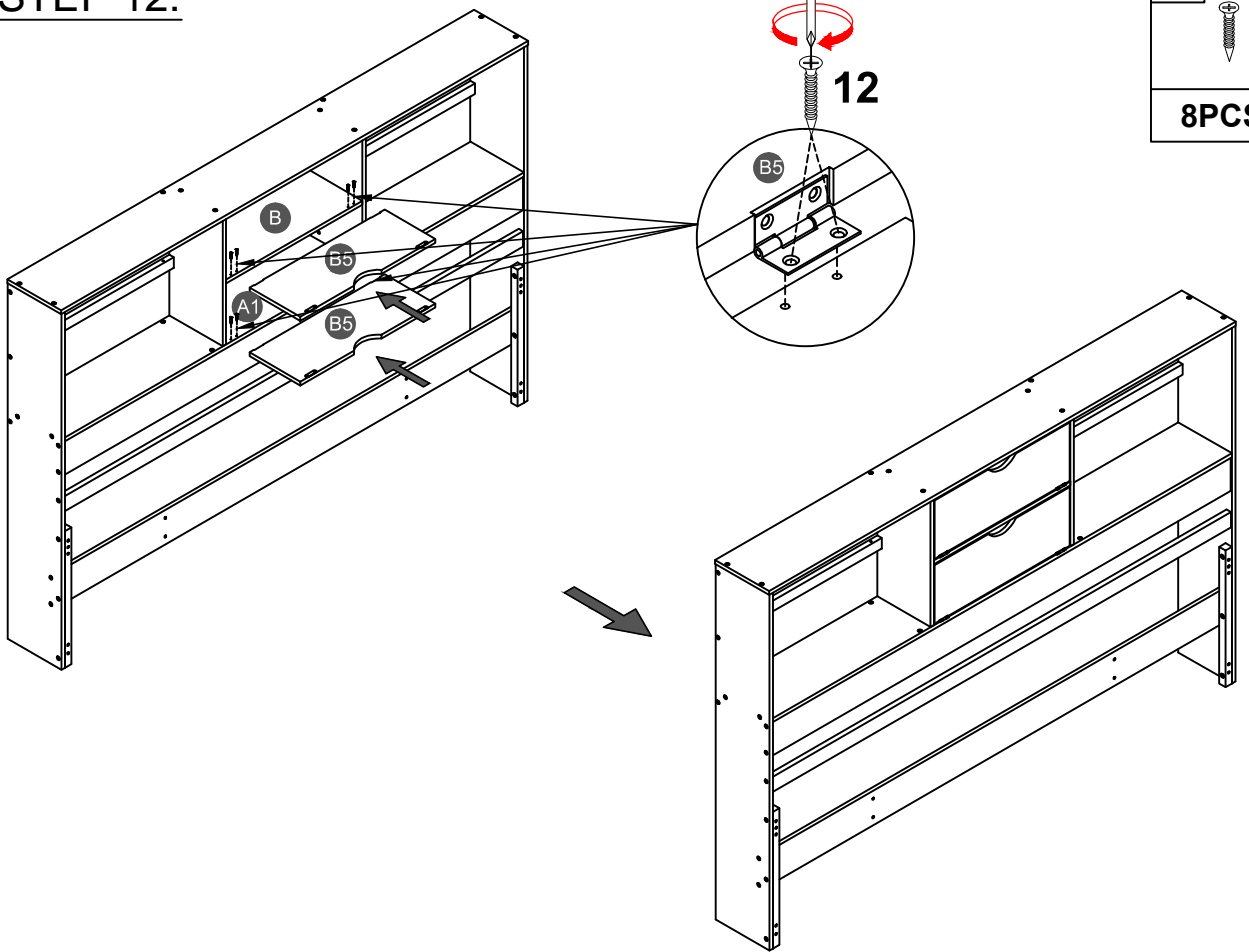
STEP 11:

5		8	
2PCS		2PCS	

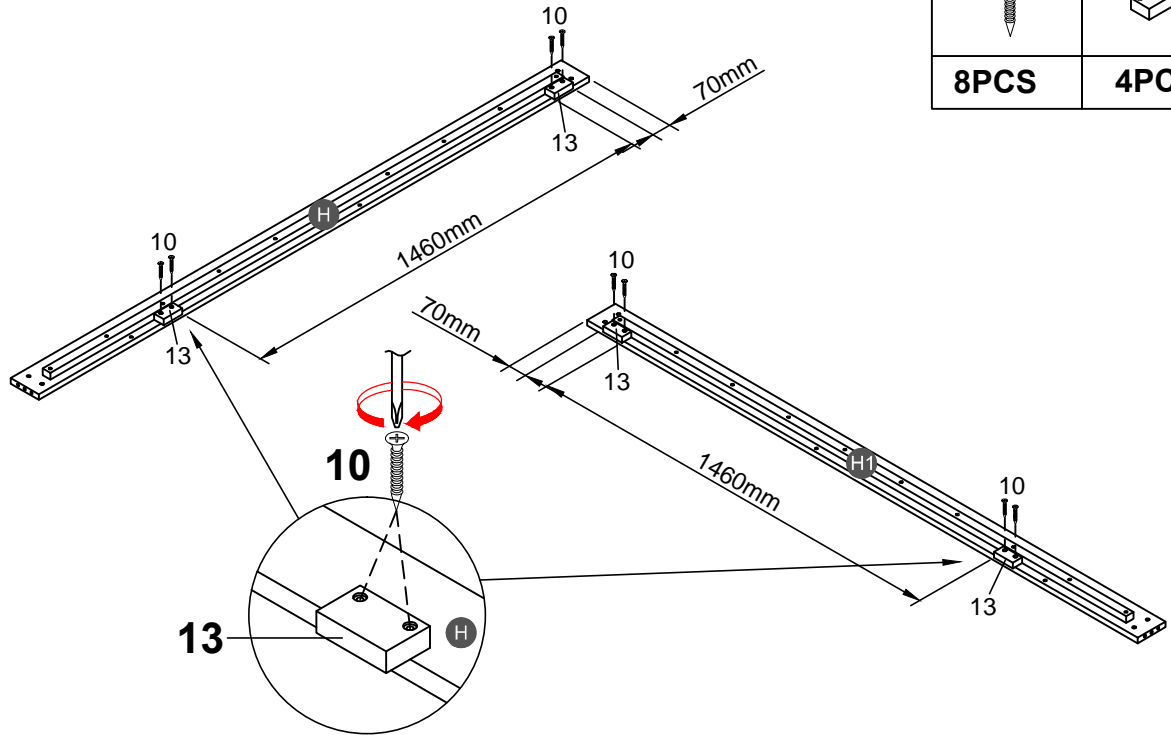




STEP 12:

12	
8PCS	

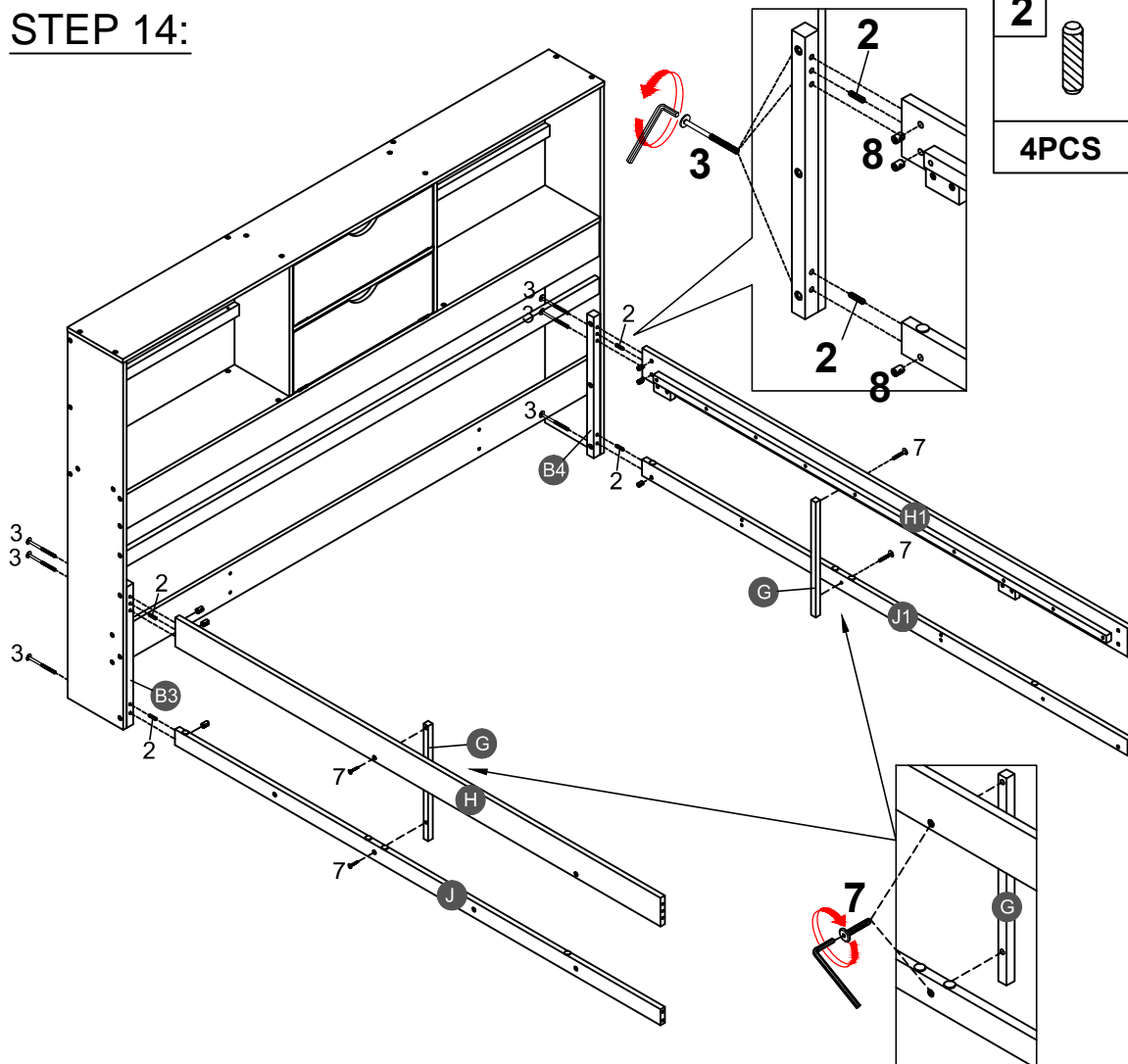






STEP 13:



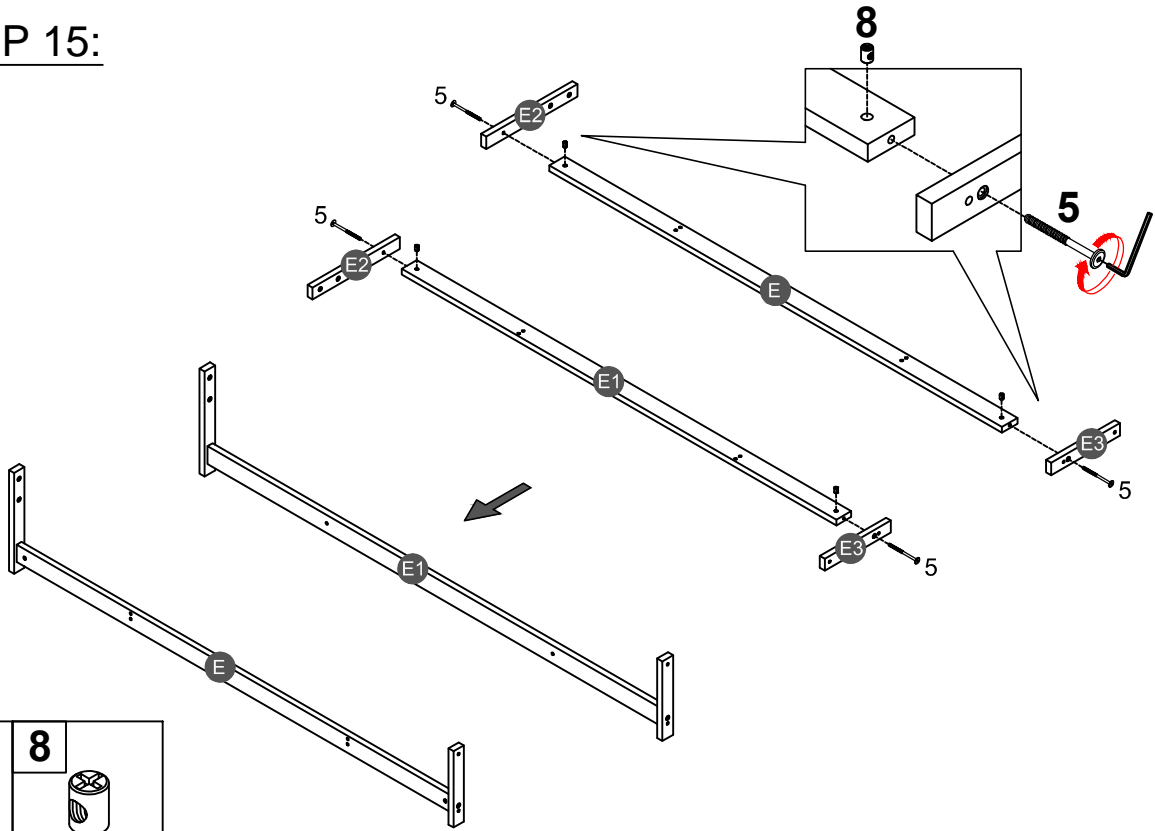
10		13	
8PCS		4PCS	



STEP 14:



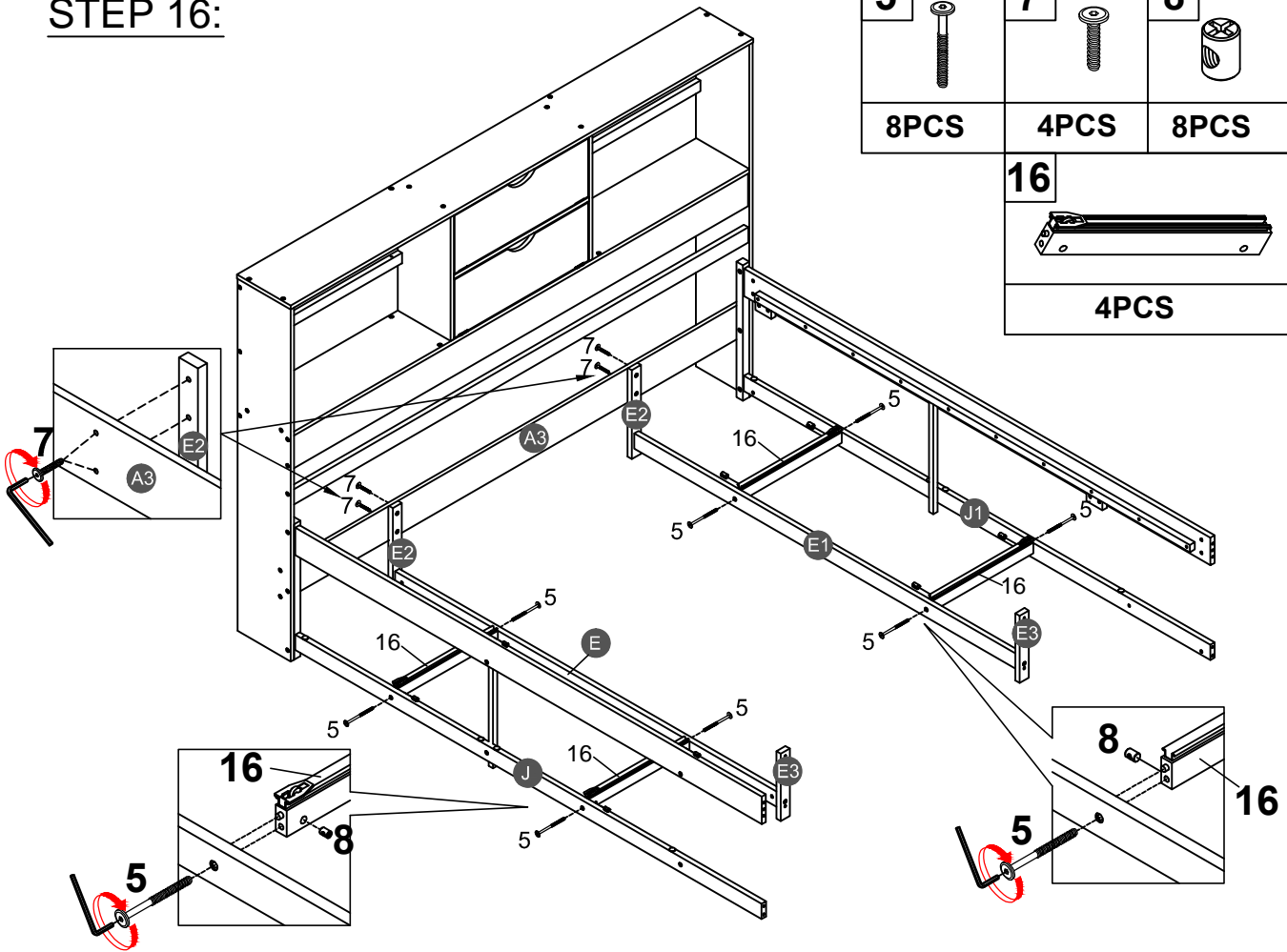
2		3	
4PCS		6PCS	
		7	
		4PCS	
		8	
		6PCS	


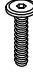


STEP 15:



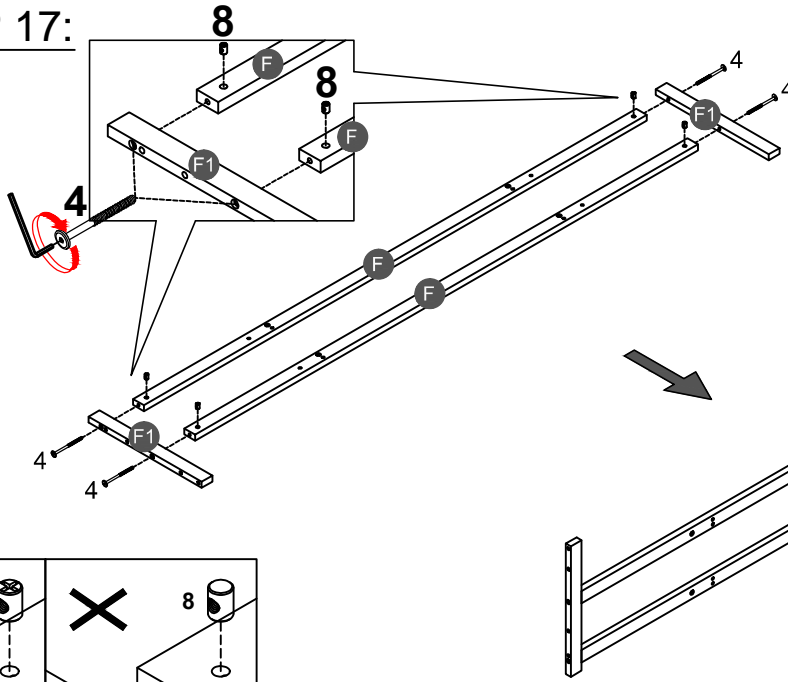
5		8	
4PCS		4PCS	



STEP 16:

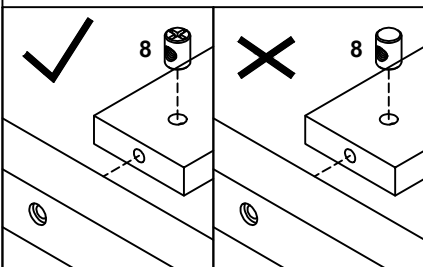


5		7		8	
8PCS		4PCS		8PCS	
				16	
				4PCS	

STEP 17:

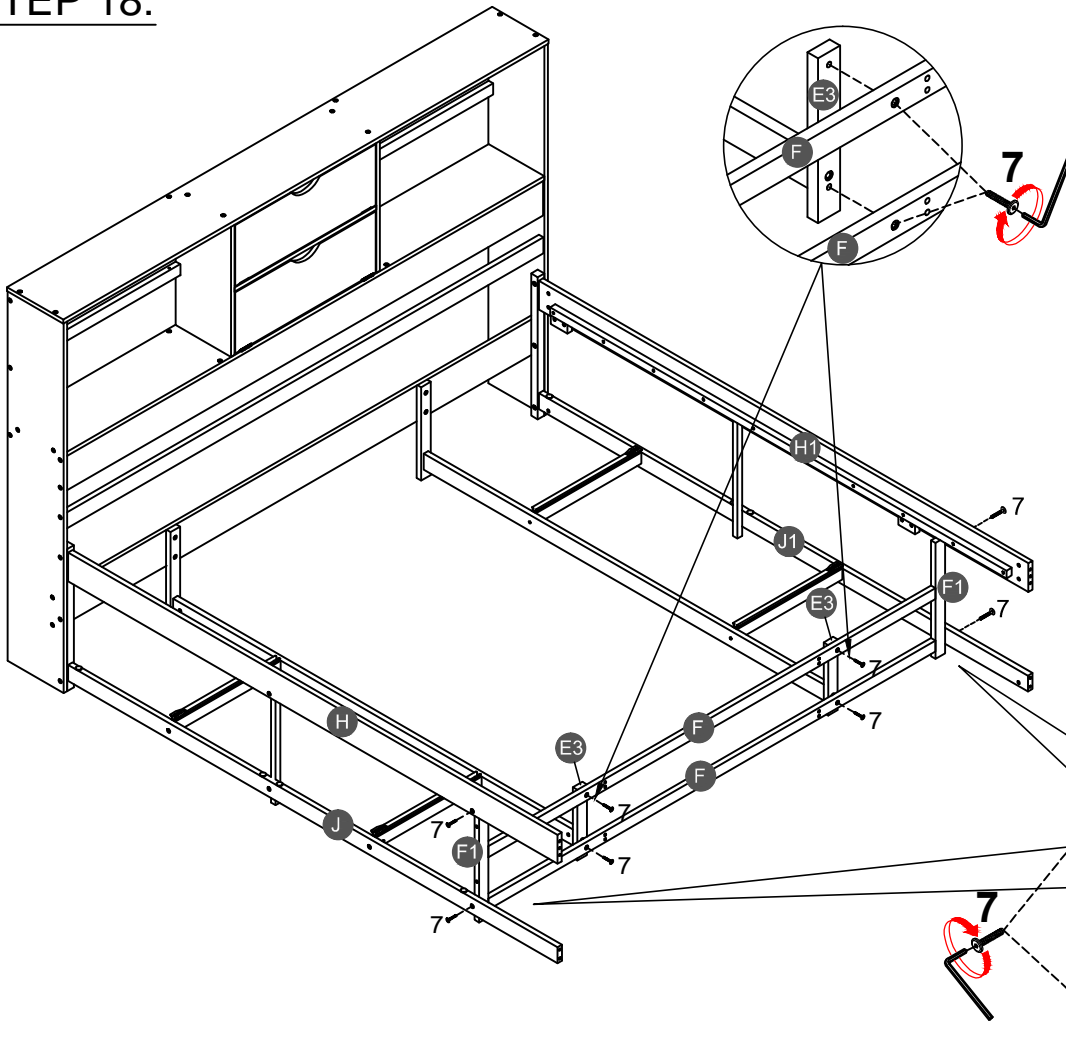



4		8	
4PCS		4PCS	



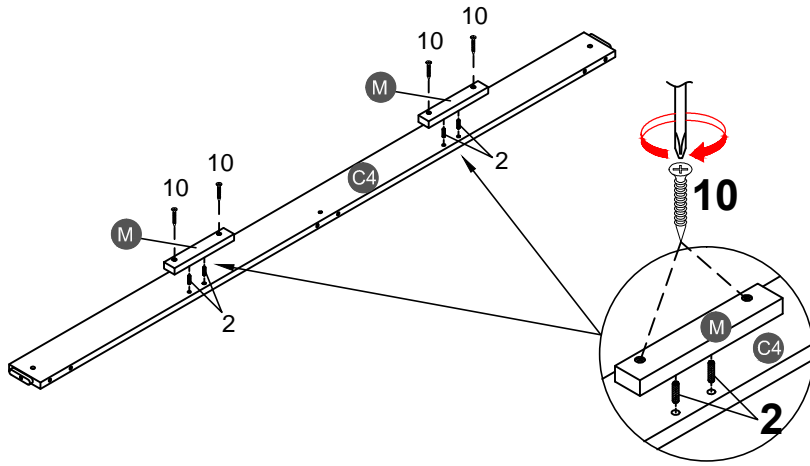
Note: Part 8 will face up with the "x" mark on it, otherwise it cannot be tightened

STEP 18:



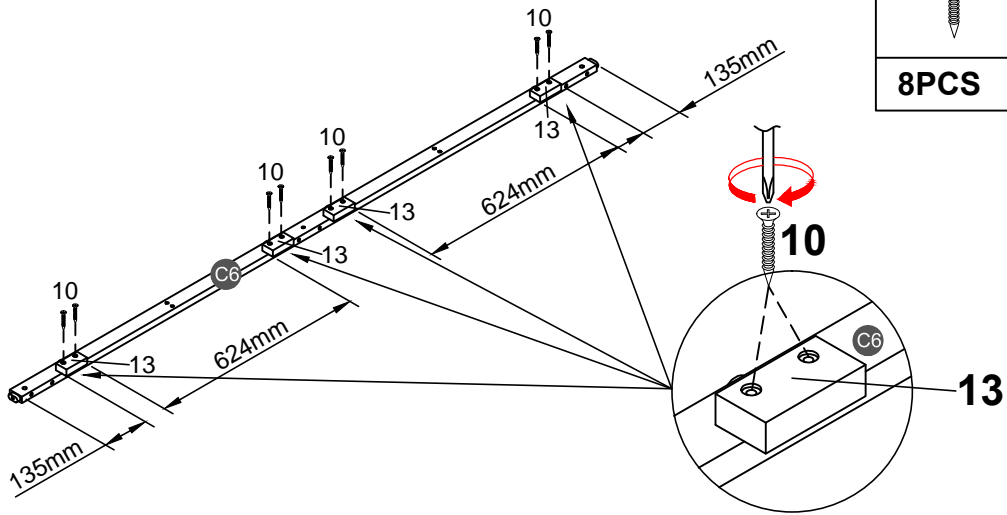
7	
8PCS	

STEP 19:



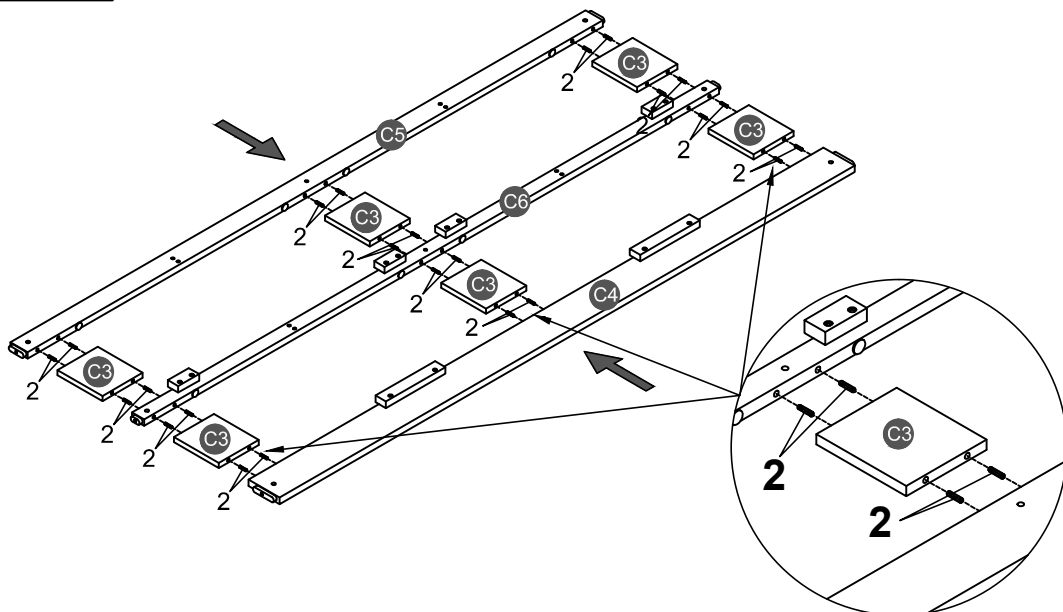
2		10	
4PCS		4PCS	

STEP 20:



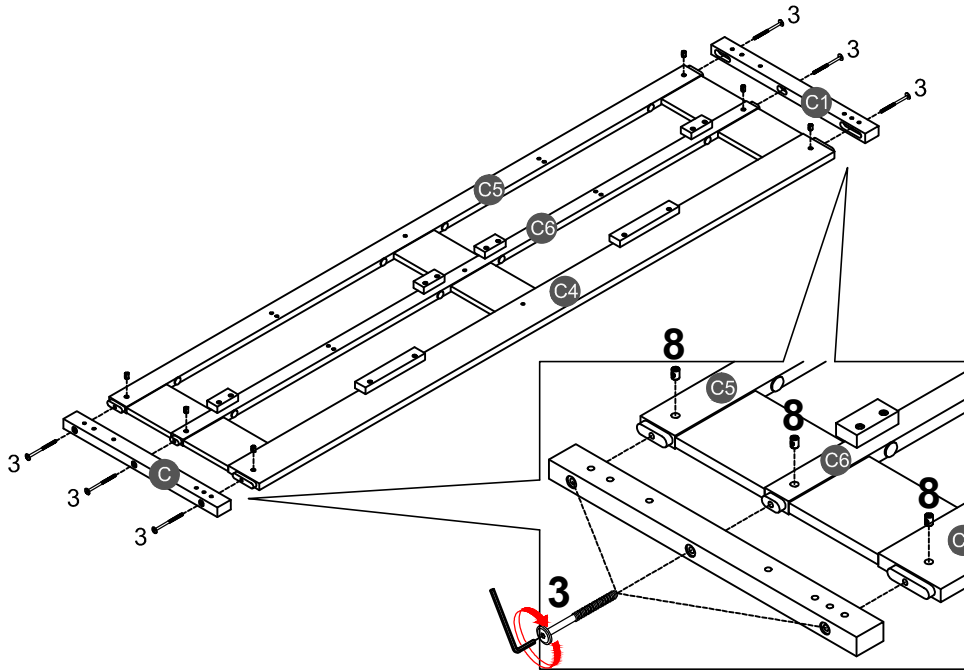
10		13	
8PCS		4PCS	

STEP 21:



2	
24PCS	

STEP 22:



3



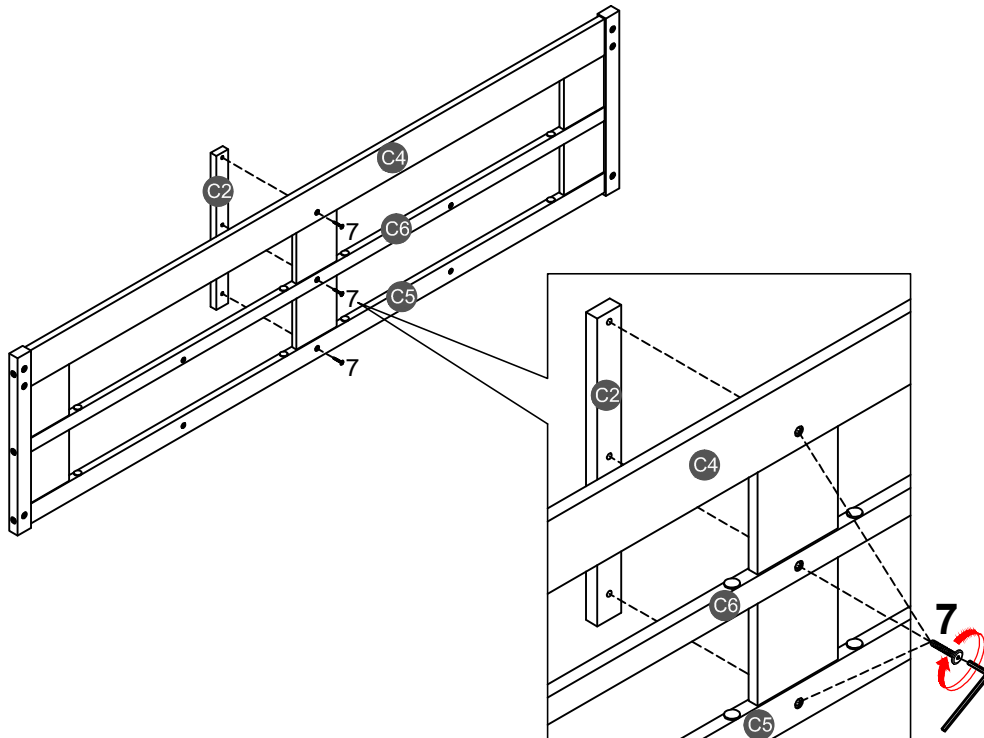
6PCS

8



6PCS

STEP 23:








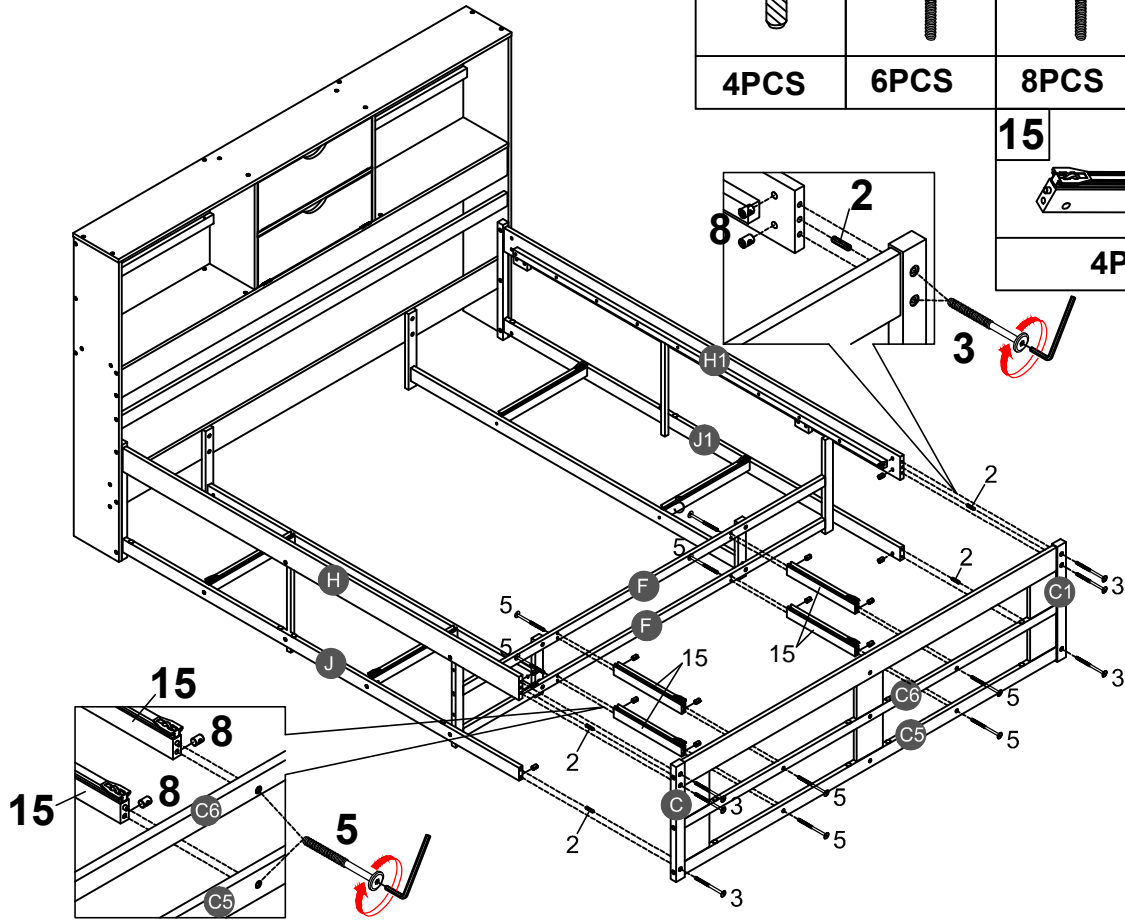
7





3PCS

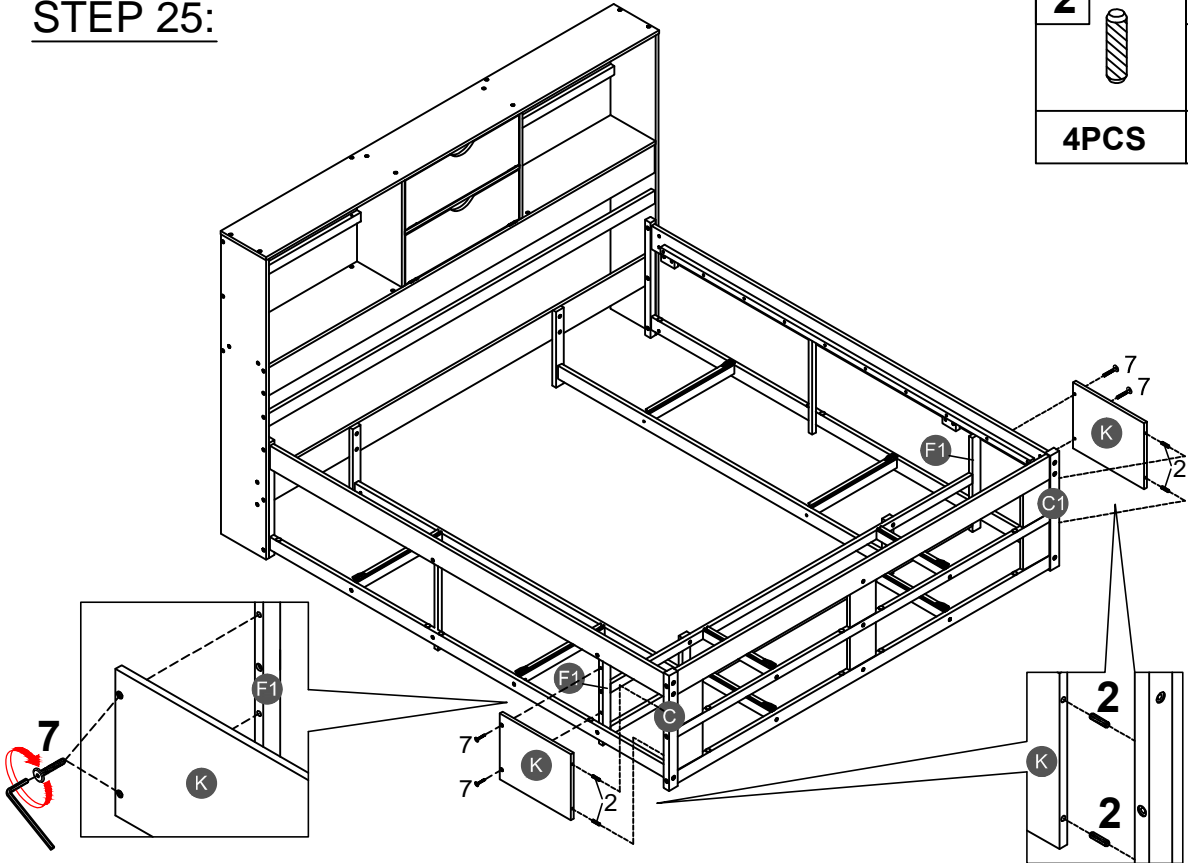
STEP 24:

2 	3 	5 	8 
4PCS	6PCS	8PCS	14PCS
			15 
			4PCS

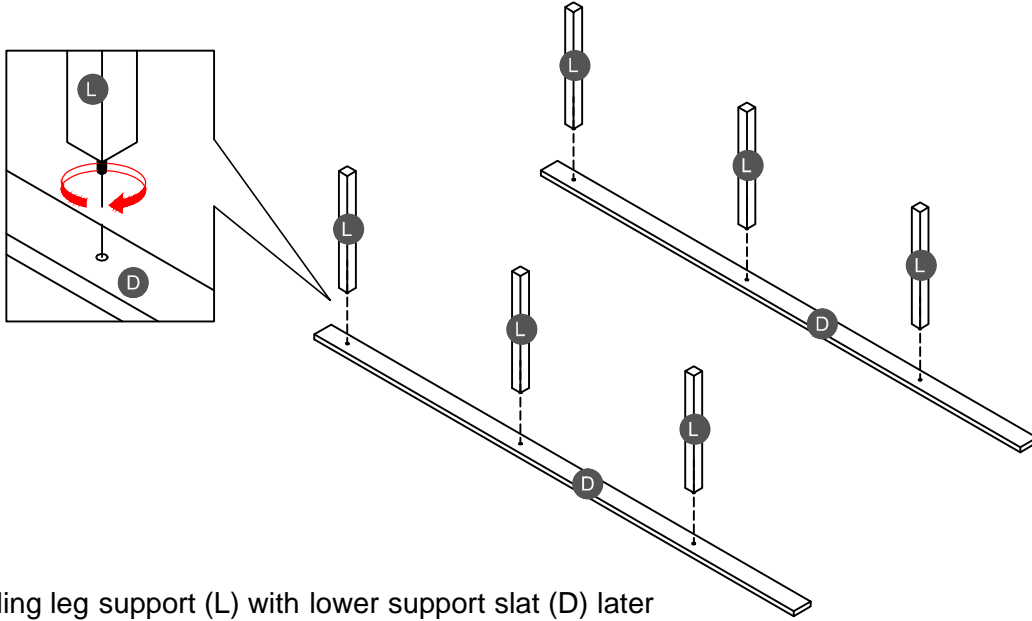


STEP 25:

2 	7 
4PCS	4PCS

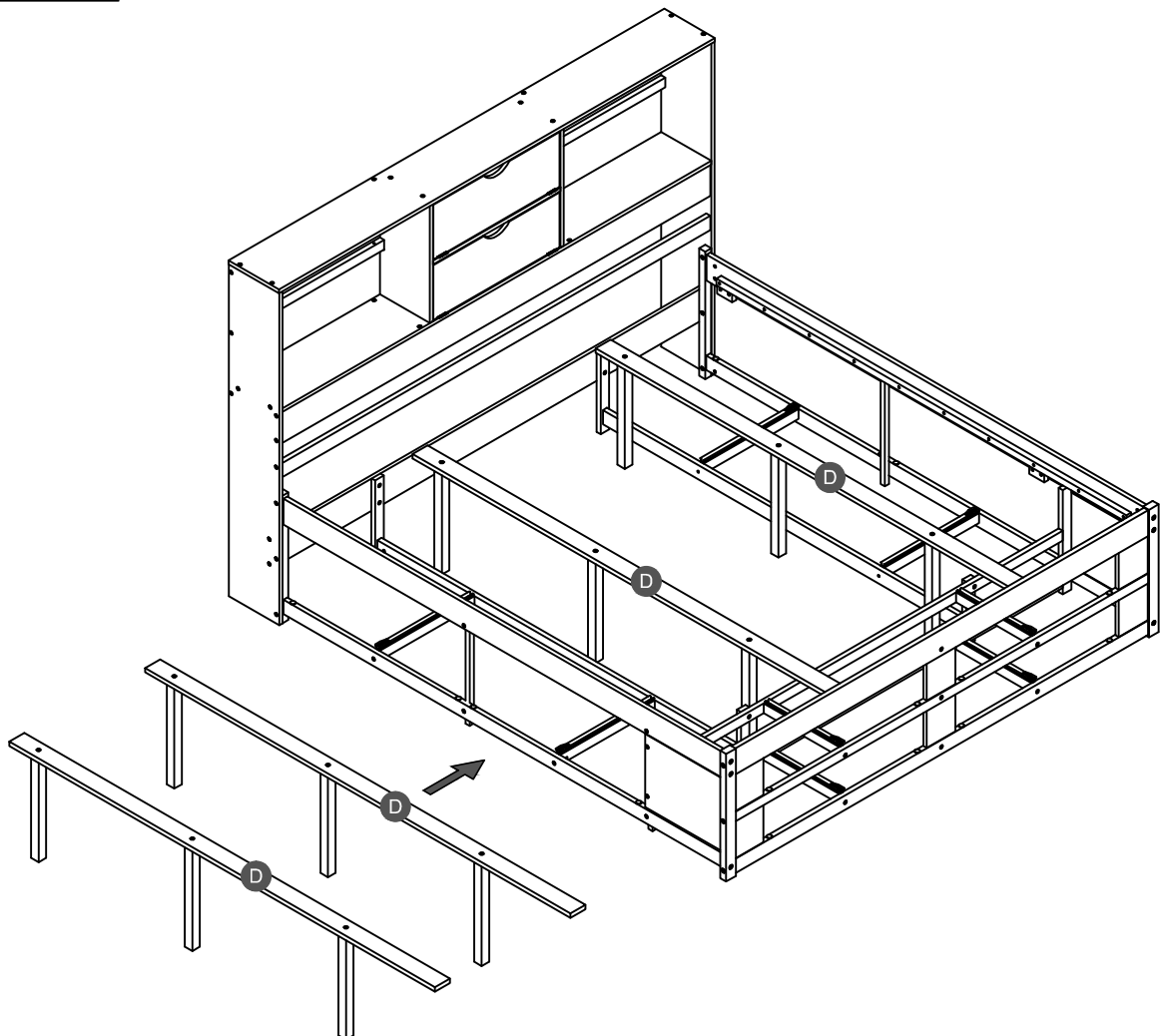


STEP 26:




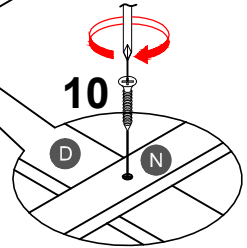
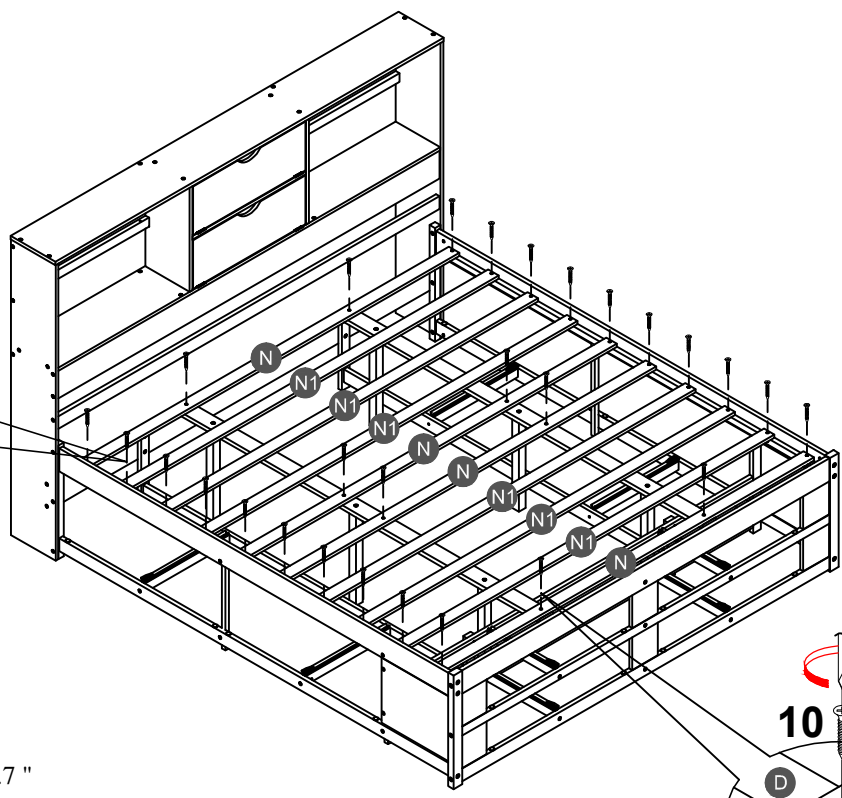
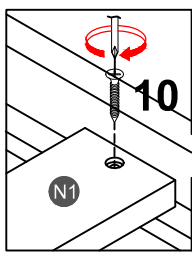
Assembling leg support (L) with lower support slat (D) later rotate, Move support slat inside Queen bed.

STEP 27:

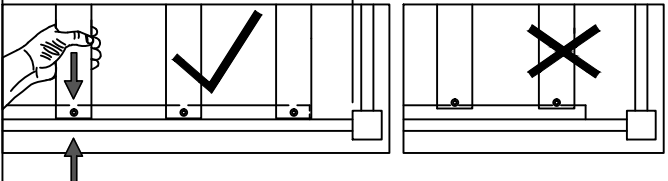


STEP 28:

10	
28PCS	






6" 152mm 6" 152mm 2.7" 69mm

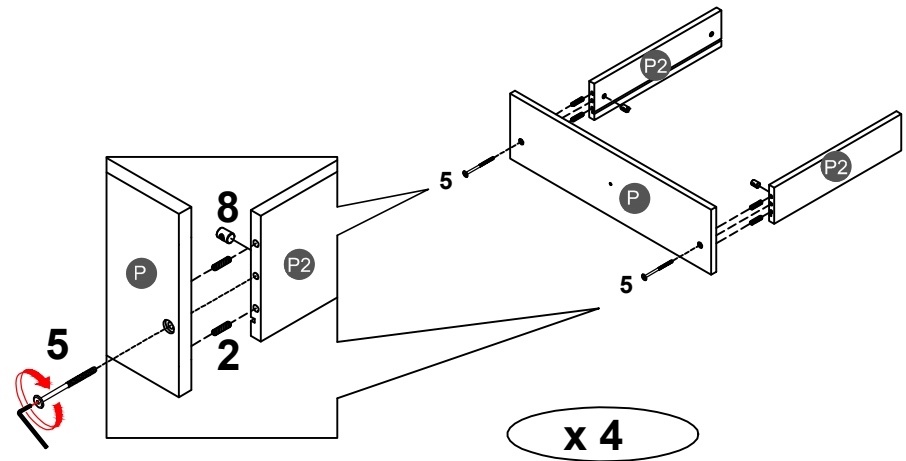


NOTE: Please make sure the bed slats close to the side rail before locking the screws to avoid breakage. This step is required for both the left and right sides. Moreover, please do not lock the screws of the bed slats at the outermost edge to avoid damaging.

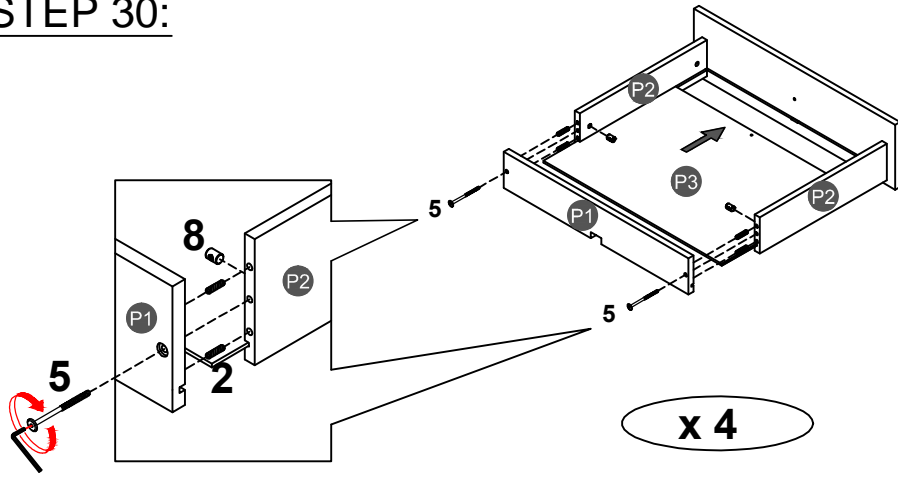
STEP 29:

2		5	
16PCS		8PCS	

8	
8PCS	

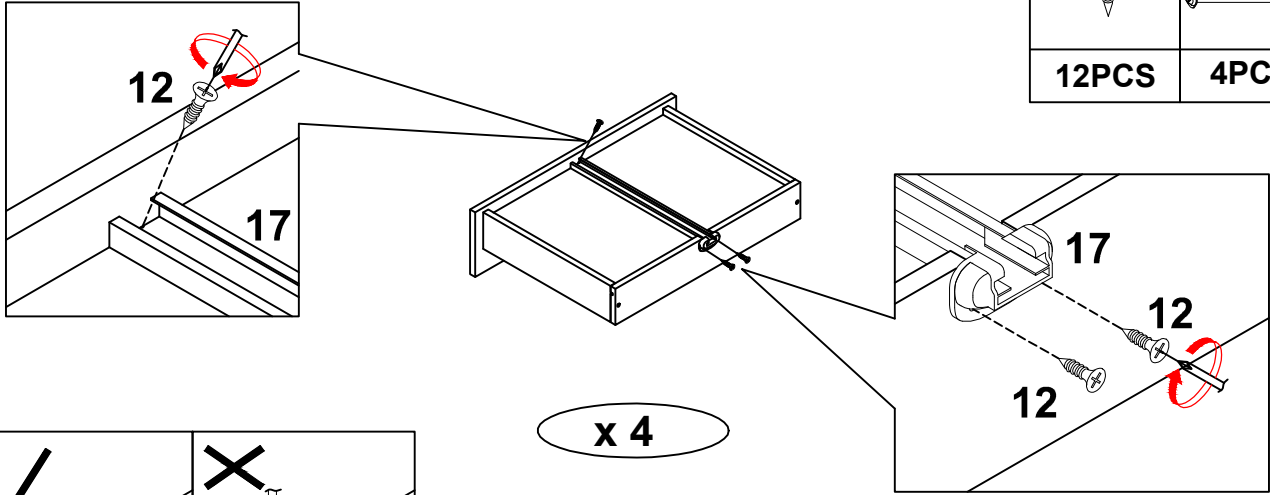


STEP 30:

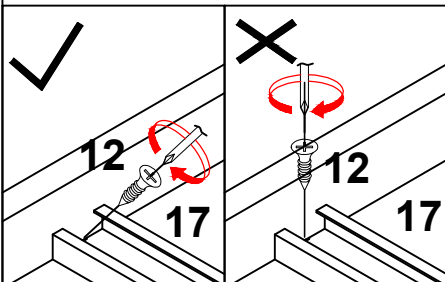


2		5	
16PCS		8PCS	
		8	
		8PCS	

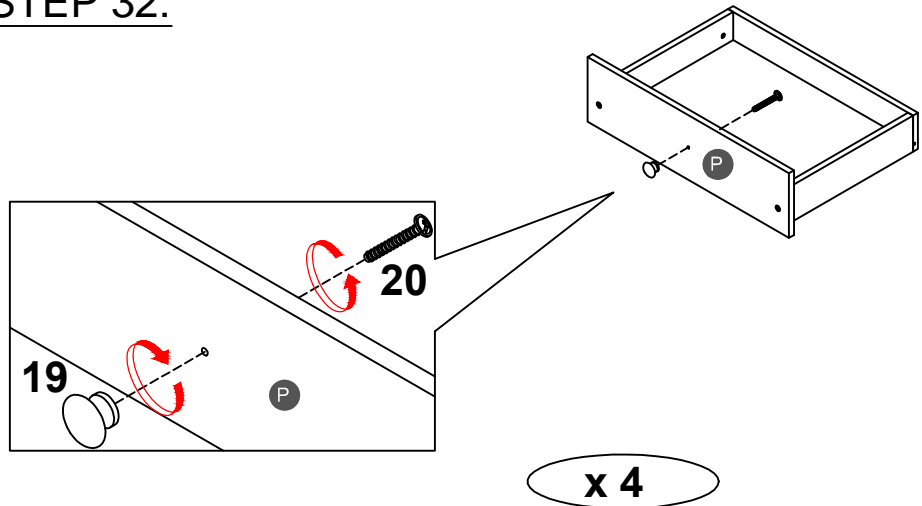
STEP 31:



12		17	
12PCS		4PCS	

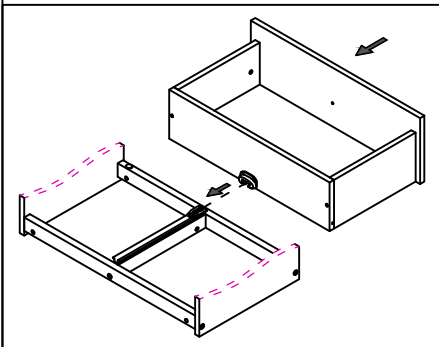
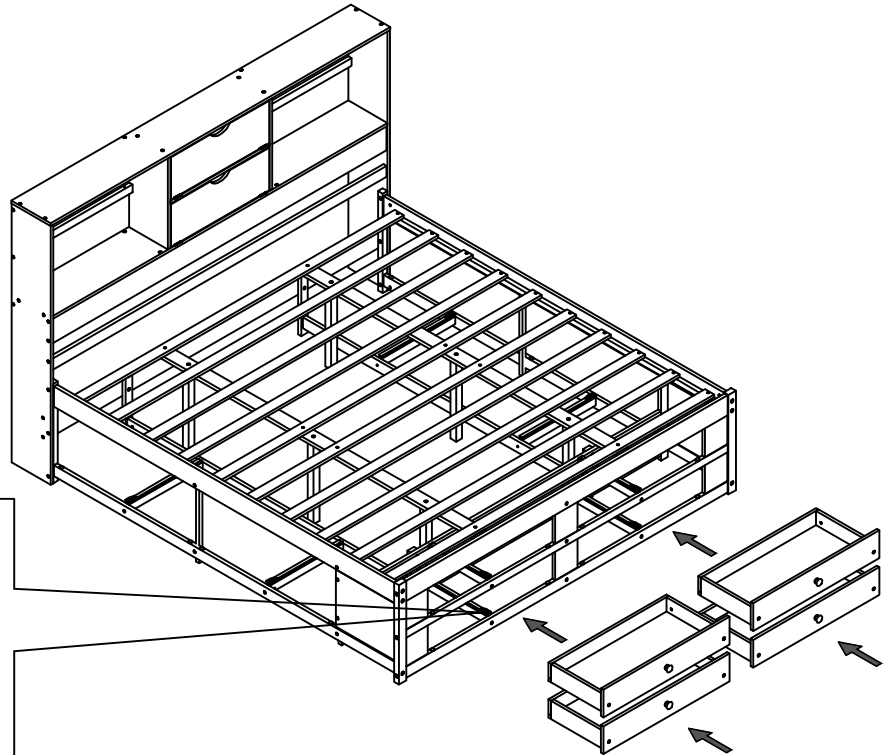


STEP 32:

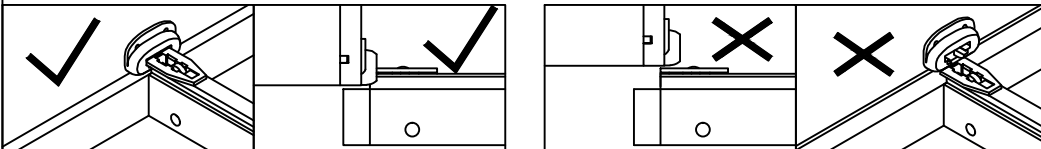


19		20	
4PCS		4PCS	

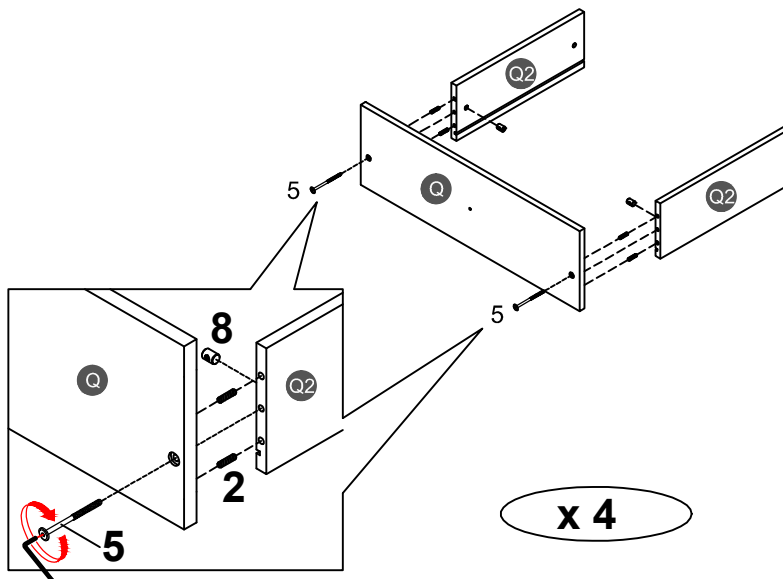
STEP 33:






Align the slide rail at the bottom of the drawer and ensure it is secure, then push the drawer in firmly to make the slide rails smoothly on the track.

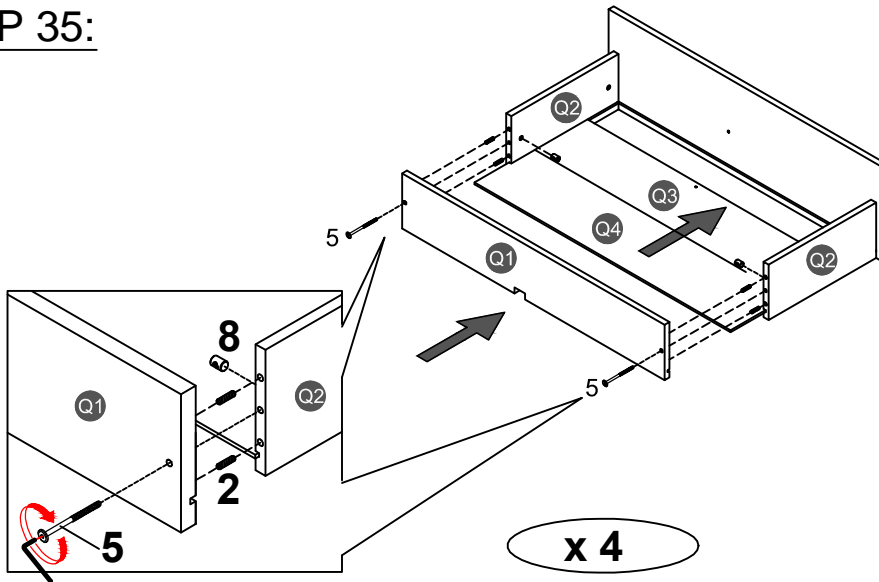


STEP 34:



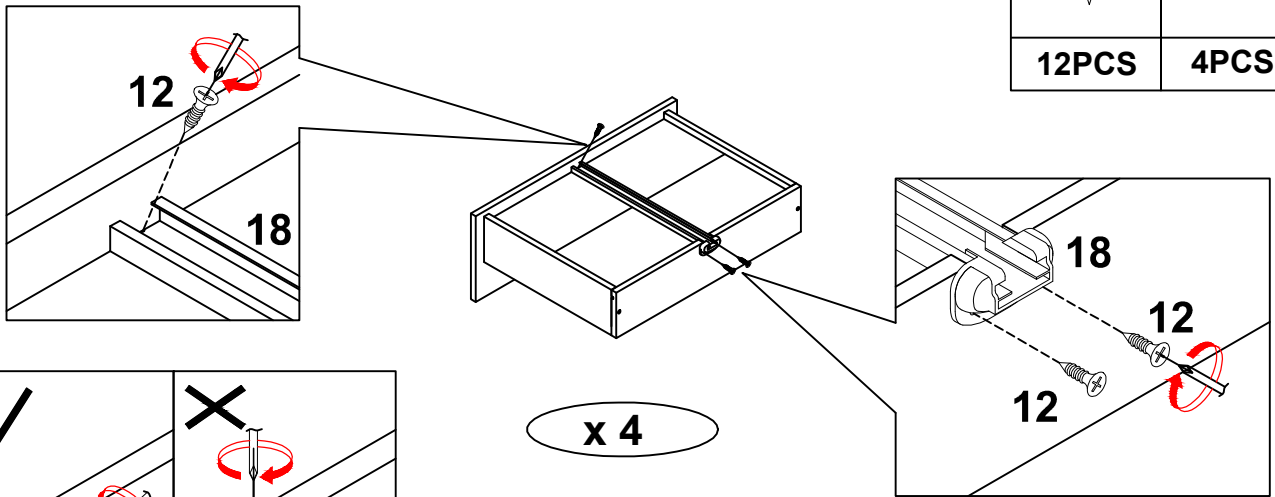
2		5	
16PCS		8PCS	
		8	
		8PCS	

STEP 35:

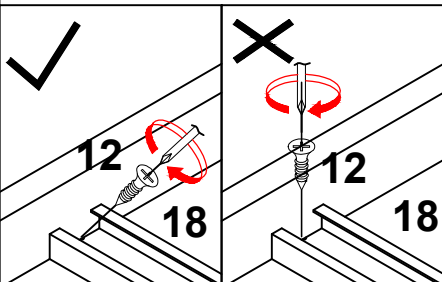


2		5	
16PCS		8PCS	
		8	
		8PCS	

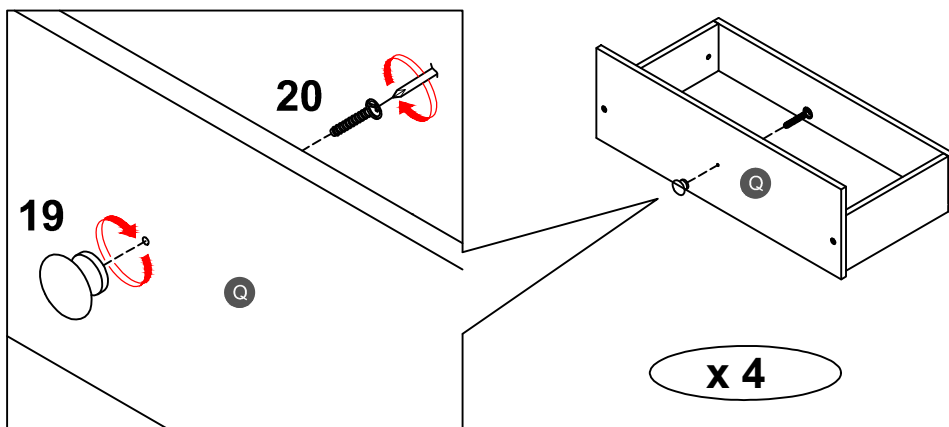
STEP 36:



12		18	
12PCS		4PCS	

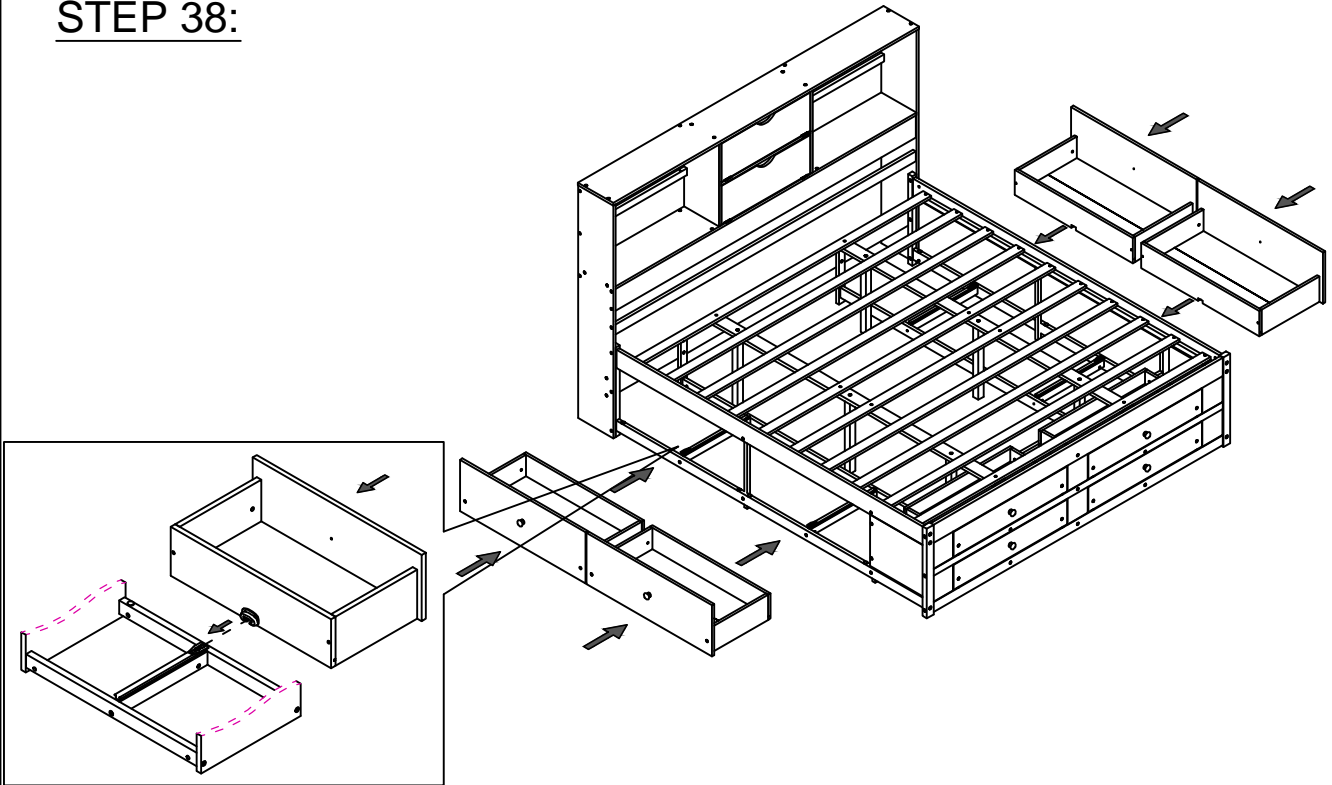


STEP 37:

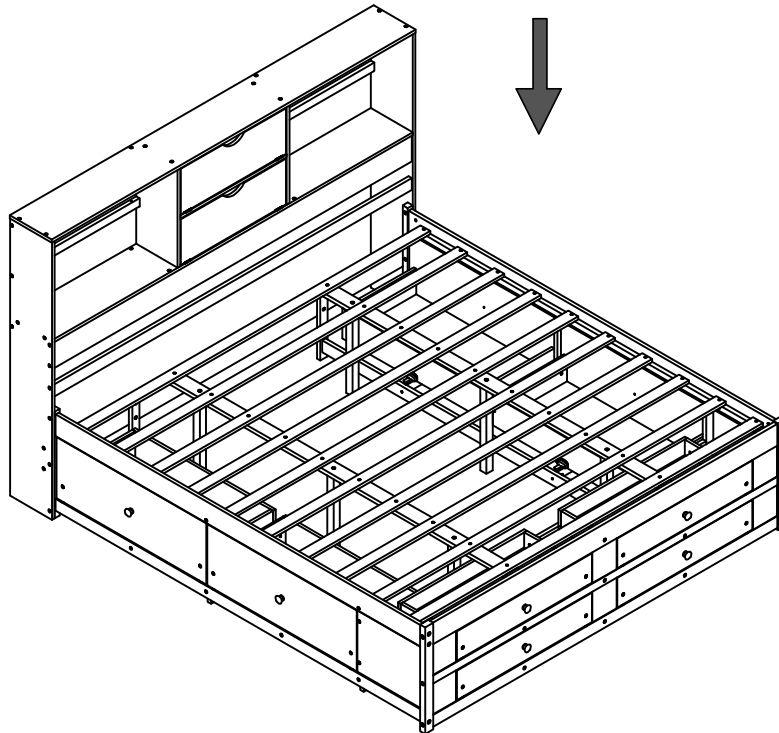
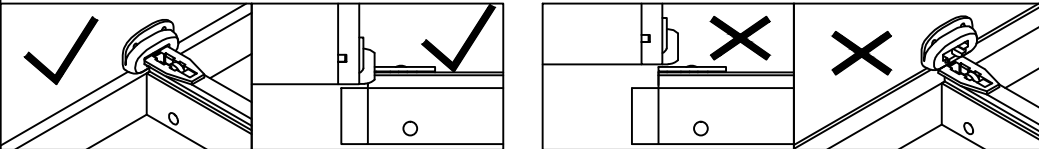


19		20	
4PCS		4PCS	

STEP 38:



Align the slide rail at the bottom of the drawer and ensure it is secure, then push the drawer in firmly to make the slide rails smoothly on the track.



Make sure to tighten all the screws of the bed.