

50031-011A/012B/021A/022B/031A/032B/041A/042B ASSEMBLY INSTRUCTION

Thank you for purchasing this quality product. Be sure to check all packing material carefully for small parts which may have come loose inside the carton during shipment. Separate, identify and count all parts and hardware. Compare with the parts list to be sure all parts are present.

IMPORTANT : PLEASE READ INSTRUCTION BEFORE STARTING THE ASSEMBLY.

"DO NOT TIGHTEN SCREWS UNTIL COMPLETELY ASSEMBLED"

"DO NOT OVERTIGHT ANY HARDWARE"

WARNING : SMALL PARTS AND HARDWARE NOT FOR CHILDREN UNDER 3 YEARS. ADULT ASSEMBLY REQUIRED.

TABLE OF CONTENTS

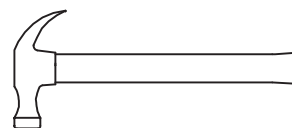
| | |
|--------------------|------------|
| HARDWARES LIST | PAGE 2 |
| PARTS LIST | PAGE 3 - 4 |
| PARTS' LOCATION | PAGE 5 |
| ASSEMBLY STEPS | PAGE 6 - 9 |
| ASSEMBLY COMPLETED | PAGE 10 |

ASSEMBLY TOOLS REQUIRED

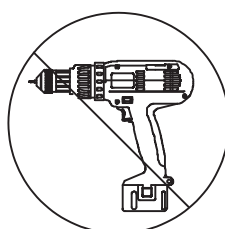
1. Screwdriver (not provide)



2. Hammer (not provide)

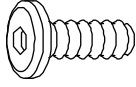
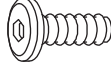
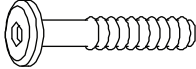
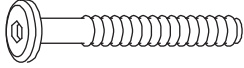








Skip the power drill this time.



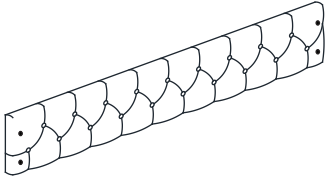
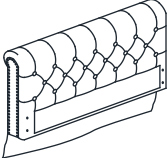
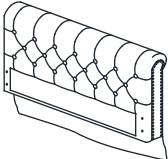
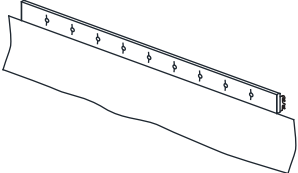
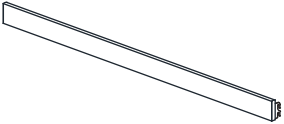
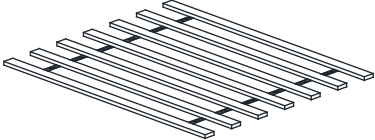
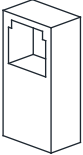
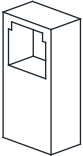
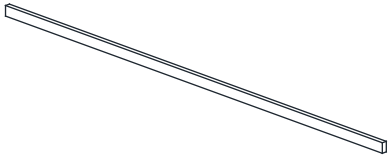
50031-011A/012B/021A/022B/031A/032B/041A/042B ASSEMBLY INSTRUCTION

HARDWARES LIST

| ITEM | DESCRIPTION | DRAWING | QTY |
|------|---------------------------|--|--------|
| A | JCBB SCREW M8 x 20MM |  | 8 PCS |
| B | JCBC SCREW M6 x 15MM |  | 8 PCS |
| C | JCBC SCREW M6 x 35MM |  | 8 PCS |
| D | JCBC SCREW M6 x 50MM |  | 4 PCS |
| E | SPRING WASHER M6 x 12MM |  | 12 PCS |
| F | FLAT WASHER M6 x 19MM |  | 12 PCS |
| G | M4 ALLEN KEY (100MM) |  | 1 PC |
| H | M5 ALLEN KEY (65MM) |  | 1 PC |
| I | CSK C/B SCREW (M4 x 32MM) |  | 8 PCS |
| J | SPANNER 14.3" |  | 1 PC |

50031-011A/012B/021A/022B/031A/032B/041A/042B ASSEMBLY INSTRUCTION

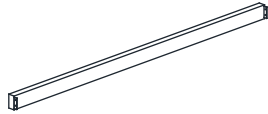
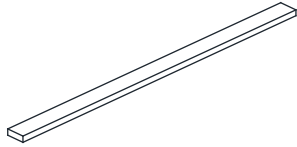
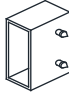

PARTS LIST

| ITEM | DESCRIPTION | DRAWING | QTY |
|------|--------------------------------------|--|--------|
| 1 | BACK REST |  | 1 PC |
| 2 | SIDE PANEL (L) |  | 1 PC |
| 3 | SIDE PANEL (R) |  | 1 PC |
| 4 | FRONT SIDE RAIL |  | 1 PC |
| 5 | BACK SIDE RAIL |  | 1 PC |
| 6 | DAYBED SLAT |  | 2 ROLL |
| 7 | SIDE PANEL SUPPORT WITH FABRIC (L/R) |  | 2 PCS |
| 8 | SIDE PANEL SUPPORT WITH WOVEN |  | 2 PCS |
| 9 | TRUNDLE RAIL |  | 2 PCS |

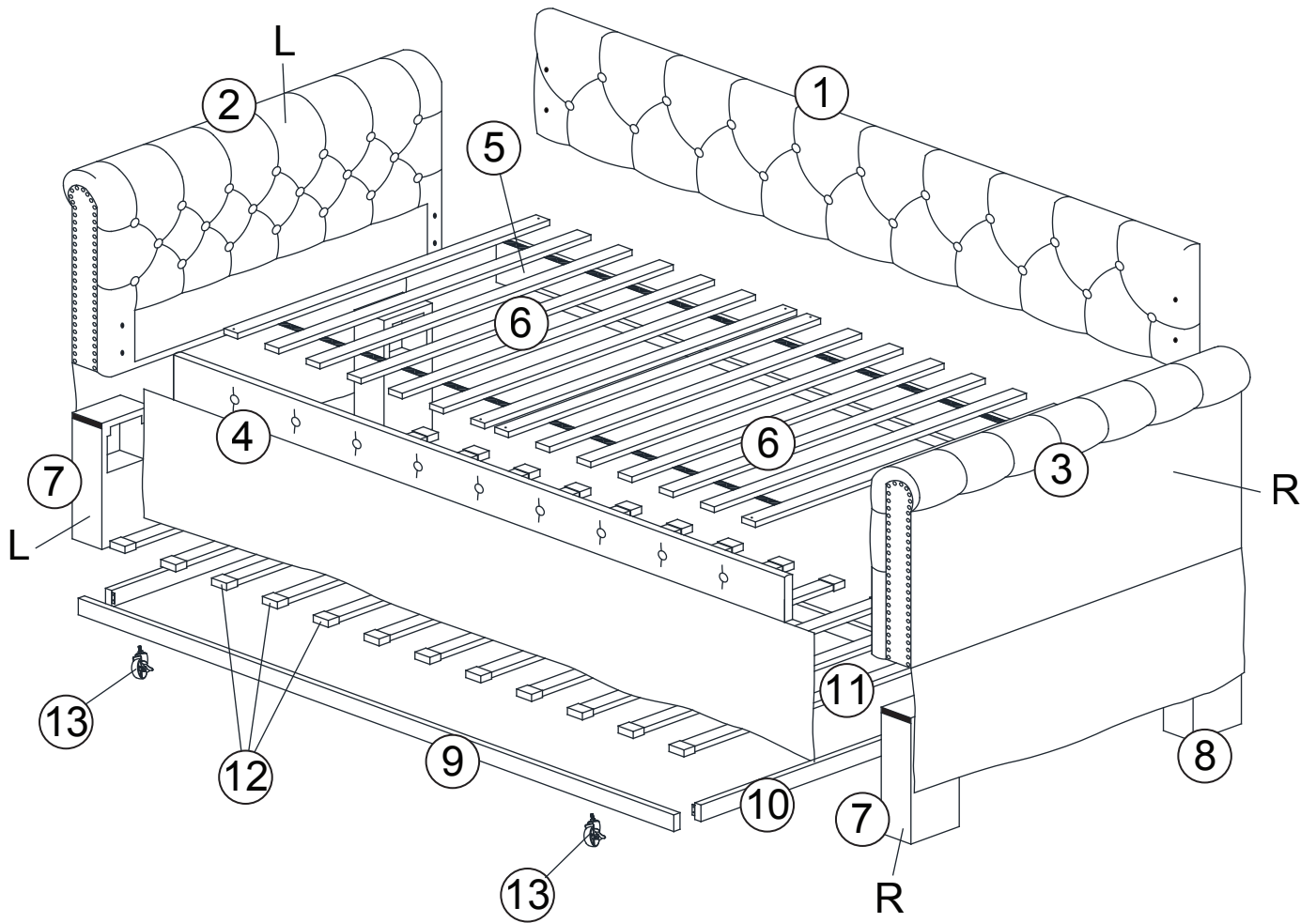
MORE PARTS DETAIL IN NEXT PAGE...

50031-011A/012B/021A/022B/031A/032B/041A/042B ASSEMBLY INSTRUCTION

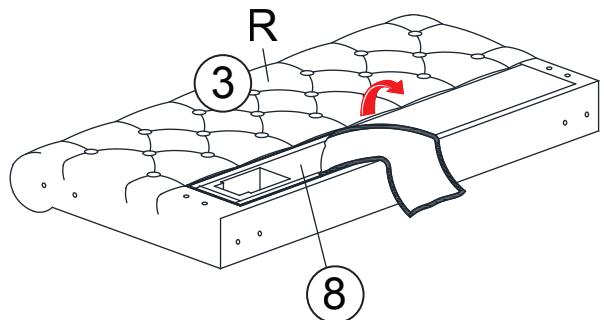
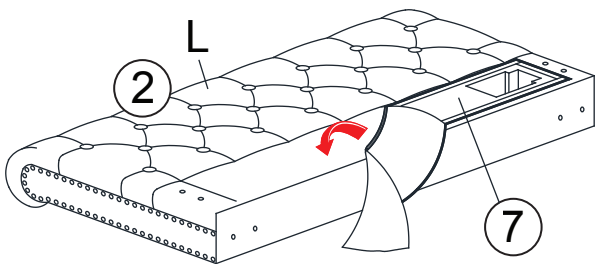
PARTS LIST

| ITEM | DESCRIPTION | DRAWING | QTY |
|------|-------------------|---|--------|
| 10 | TRUNDLE SIDE RAIL |  | 2 PCS |
| 11 | TRUNDLE SLAT |  | 12 PCS |
| 12 | SOCKET |  | 24 PCS |
| 13 | CASTLE WITH BRAKE |  | 4 PCS |

PARTS ' LOCATION

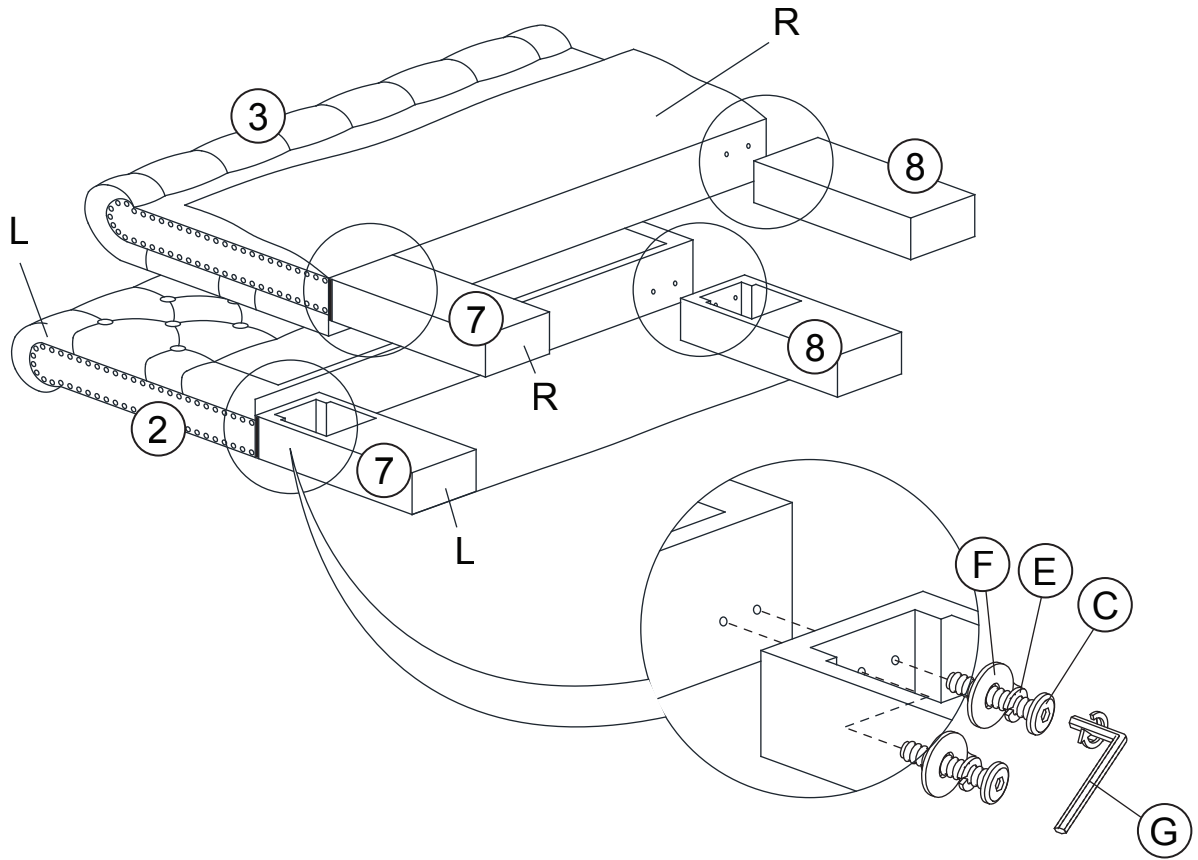


Open woven to get the side panel support

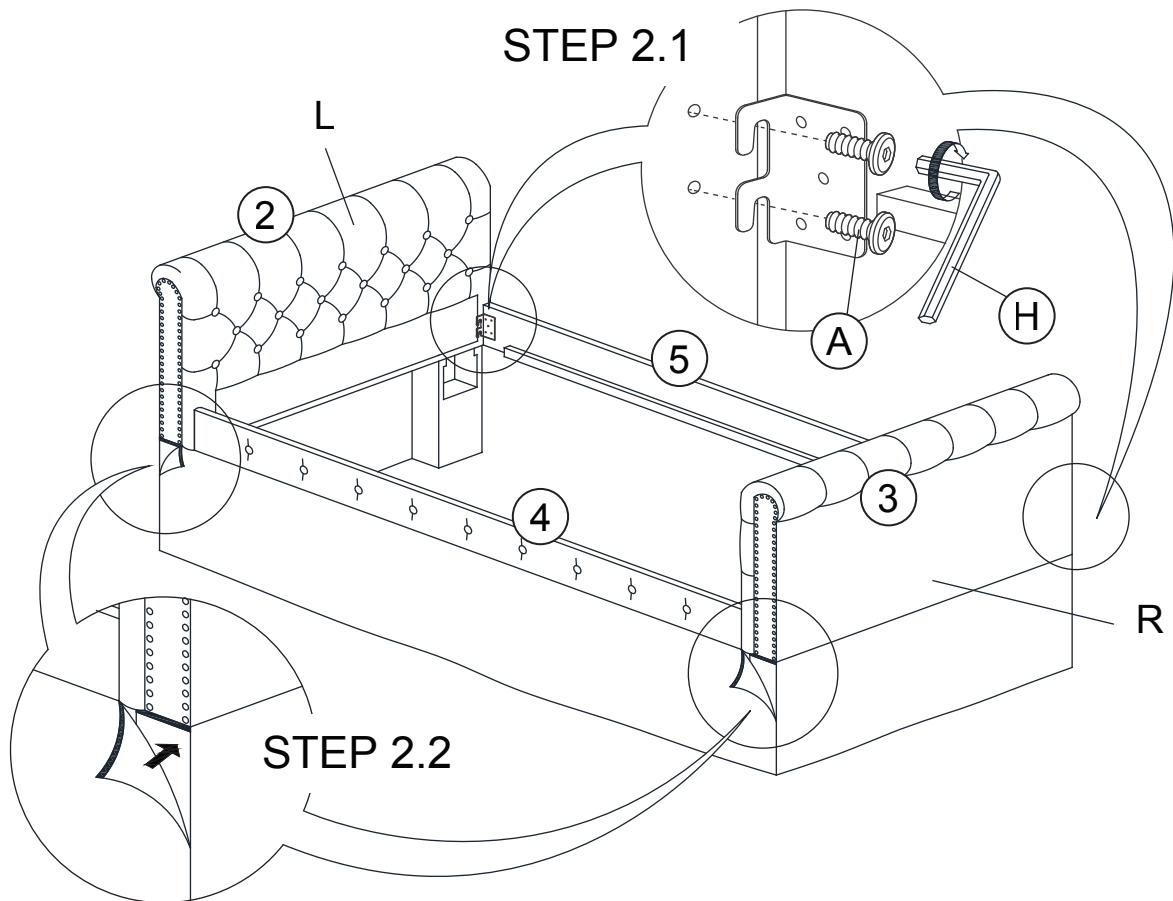


50031-011A/012B/021A/022B/031A/032B/041A/042B ASSEMBLY INSTRUCTION

STEP 1

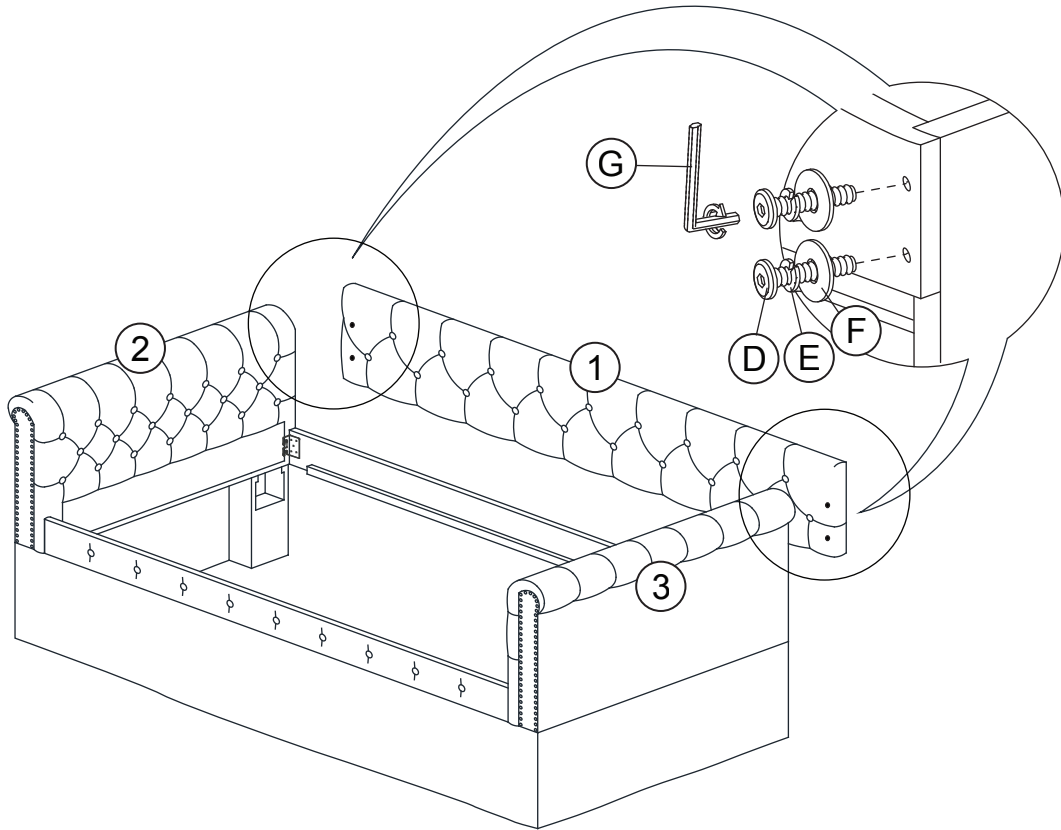


STEP 2

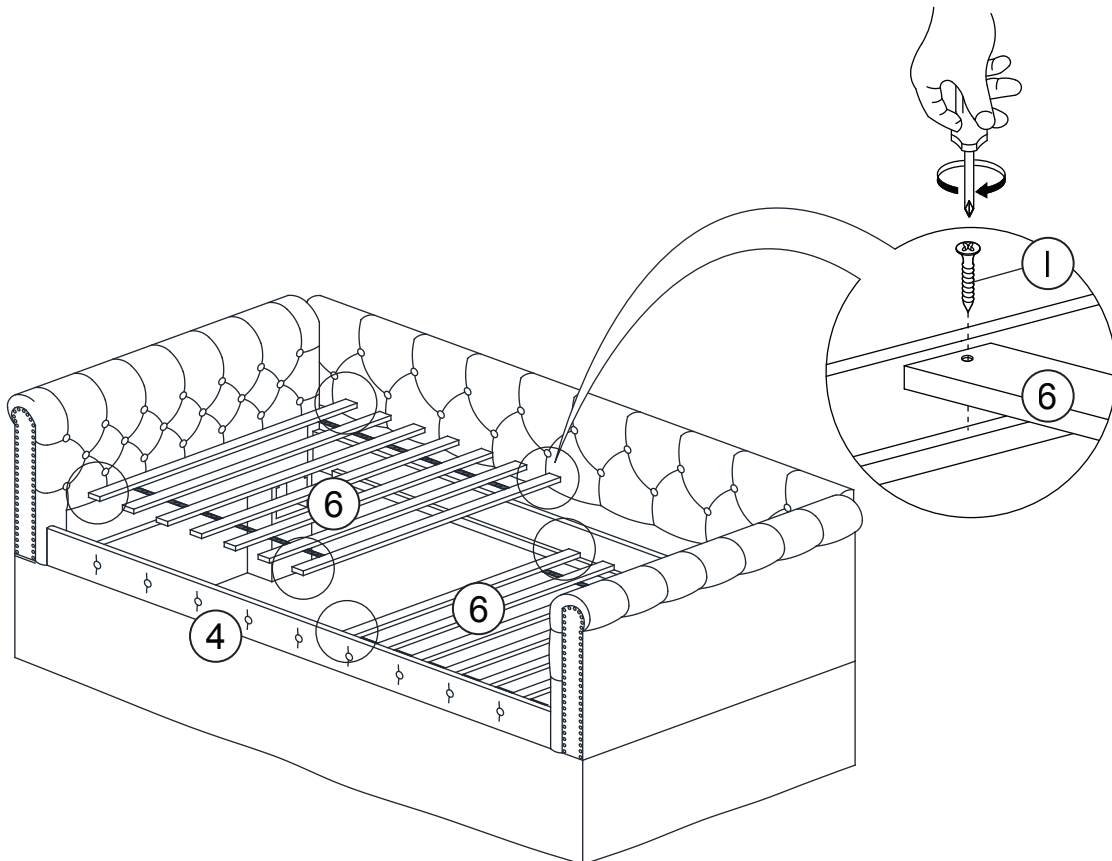


50031-011A/012B/021A/022B/031A/032B/041A/042B ASSEMBLY INSTRUCTION

STEP 3

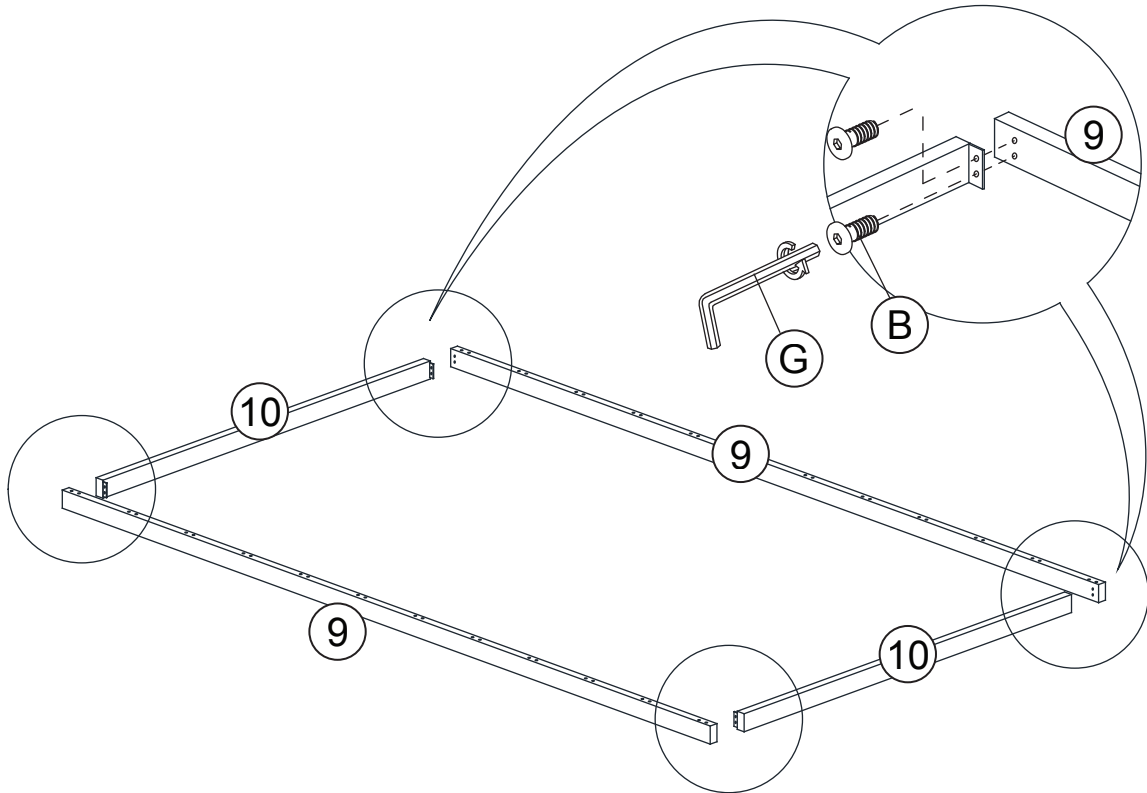


STEP 4

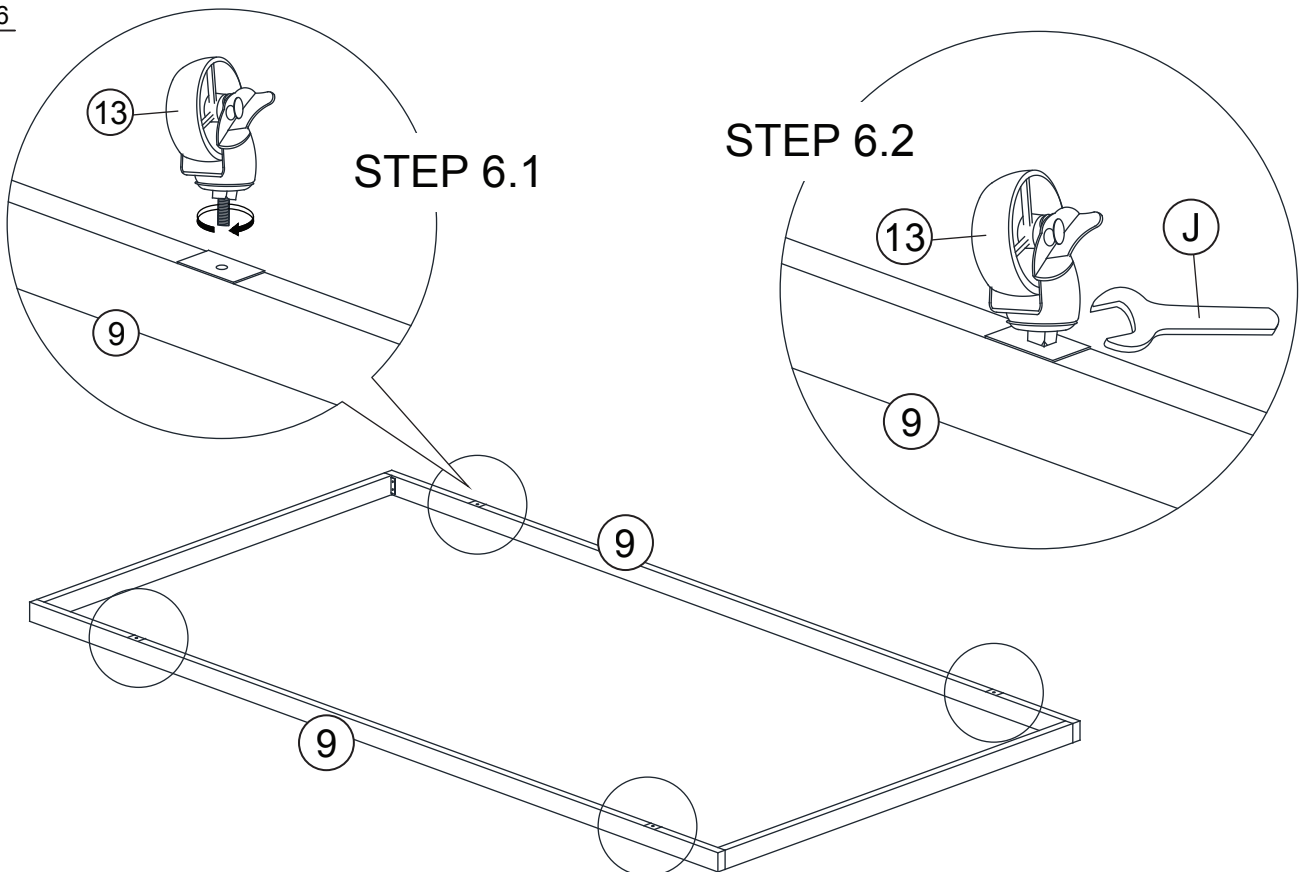


50031-011A/012B/021A/022B/031A/032B/041A/042B ASSEMBLY INSTRUCTION

STEP 5

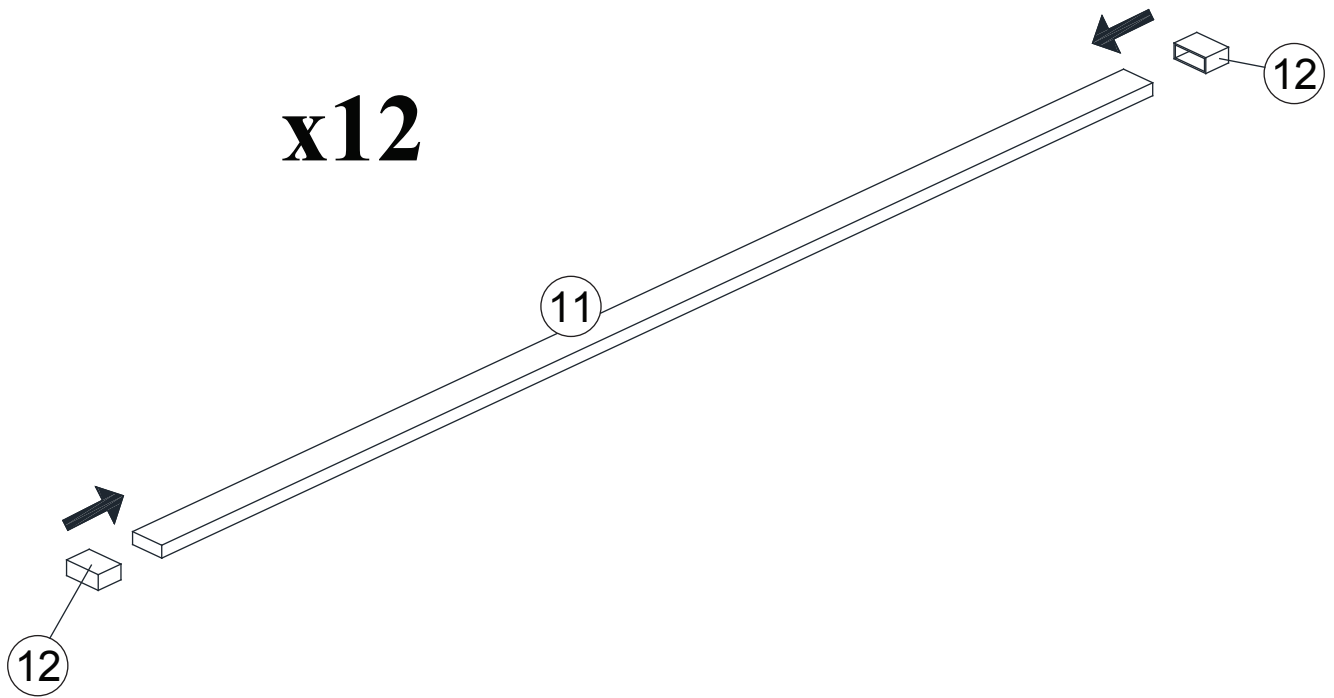


STEP 6

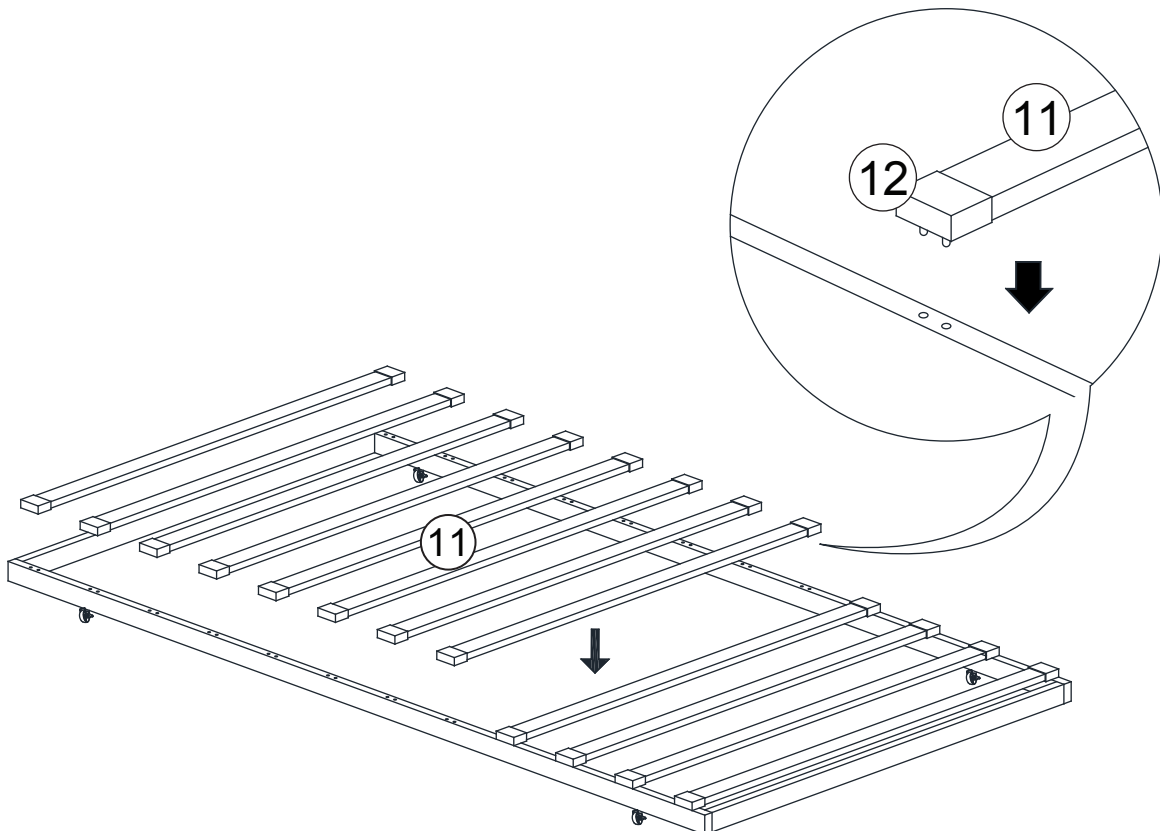


50031-011A/012B/021A/022B/031A/032B/041A/042B ASSEMBLY INSTRUCTION

STEP 7

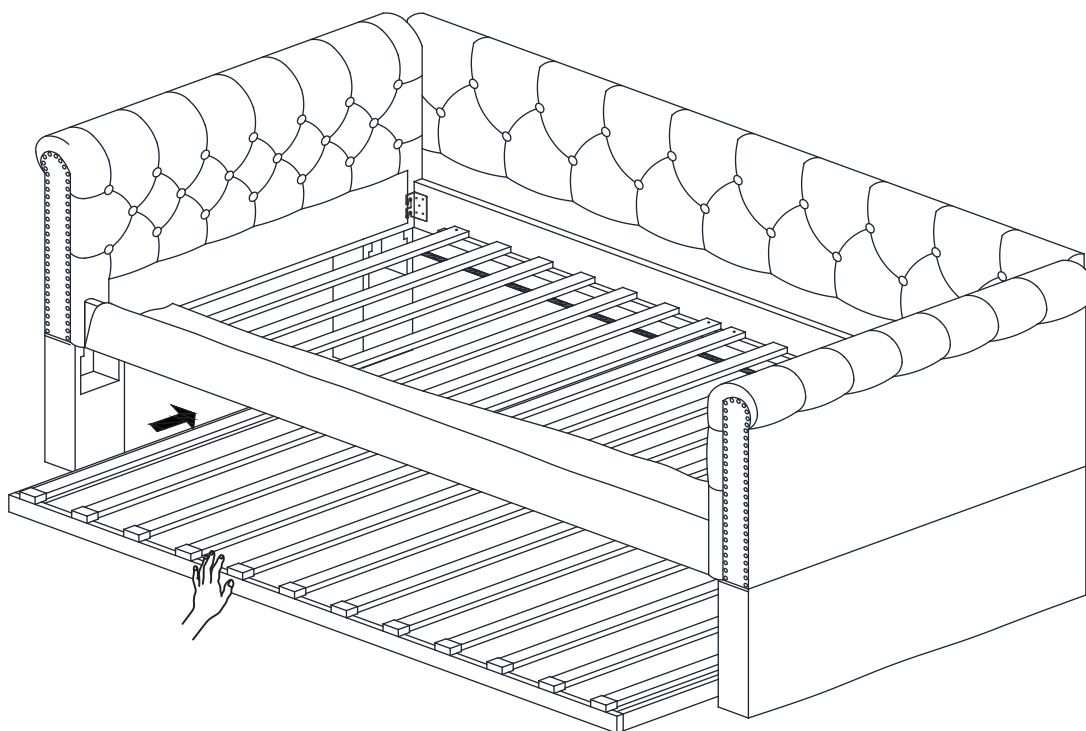


STEP 8

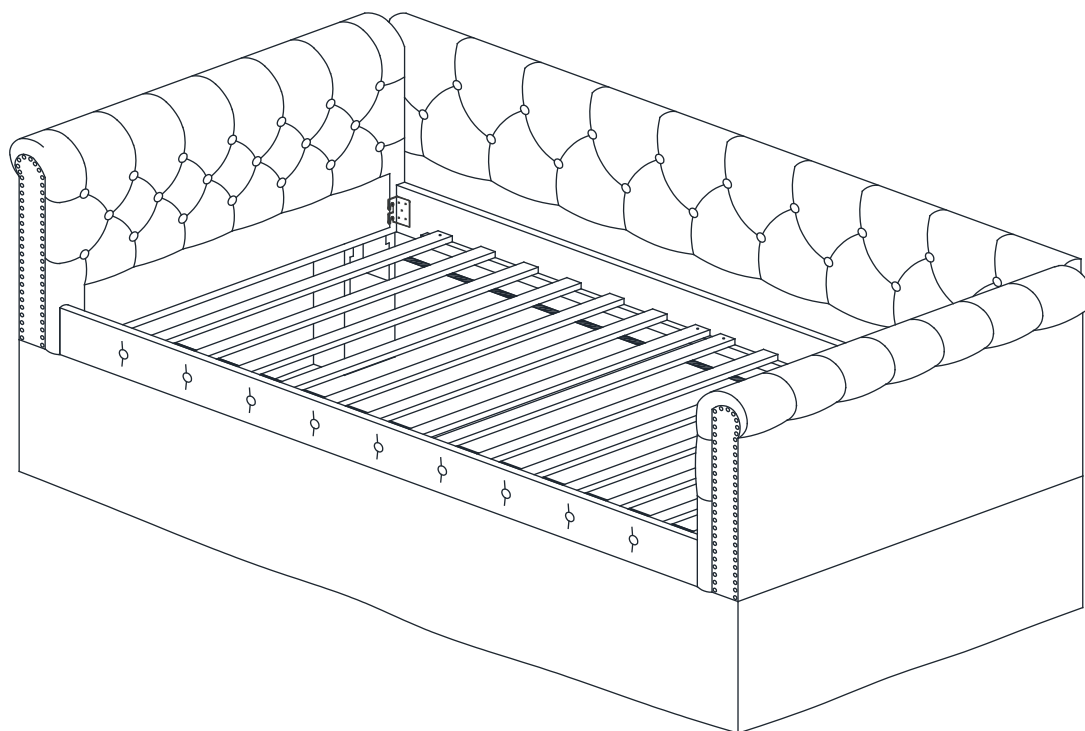


50031-011A/012B/021A/022B/031A/032B/041A/042B ASSEMBLY INSTRUCTION

STEP 9



STEP 10



ASSEMBLY COMPLETED