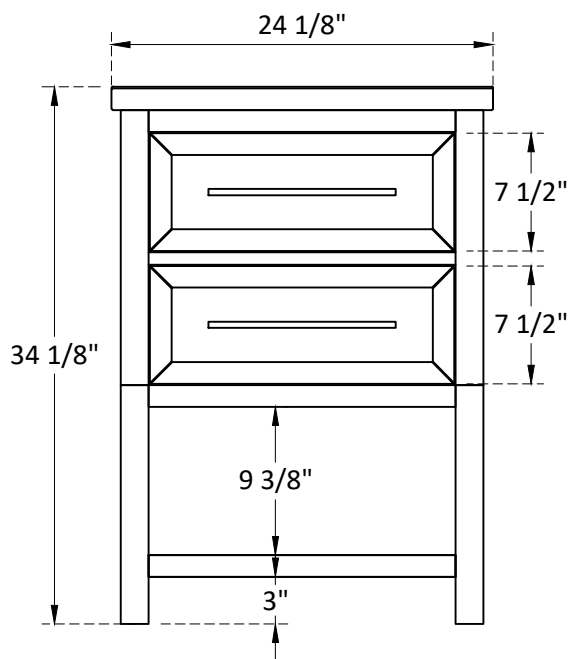
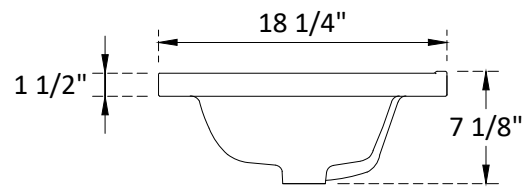
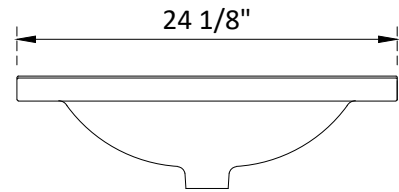
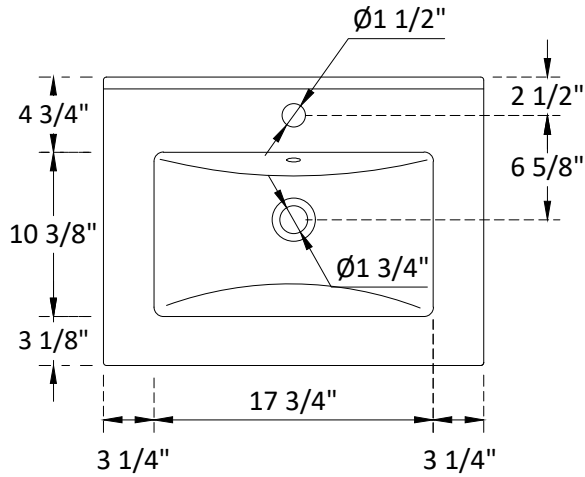
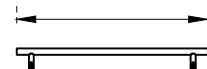


# SPECIFICATIONS



Overall Length

$11\frac{7}{8}$ " (302mm)



$10\frac{1}{8}$ " (256mm)

center to center

