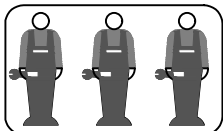
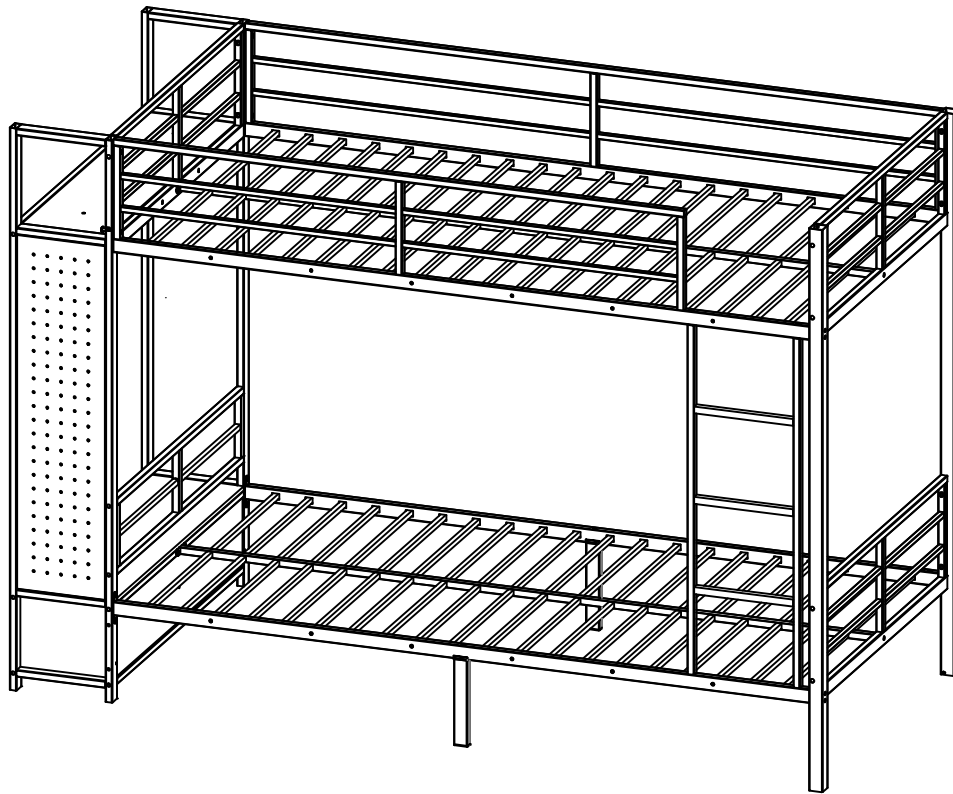


# THE BED ASSEMBLY INSTRUCTIONS



## SAFETY WARNINGS AND GENERAL NOTES:

1. Follow the information on the warnings on the bunk bed end structure and on the carton. Do not remove the warning label from the bed.
2. Always use the recommended size mattress on mattress support, or both, to help prevent the likelihood of entrapment or falls.
3. Do not allow children under 6 years of age to use the upper bunk.
4. Periodically check and ensure the guardrail, ladder and other components are in their proper position, free from damage, and all connectors are tight.
5. Do not allow horseplay on or under beds.
6. Always prohibit jumping on the bed.
7. Prohibit more than one person on upper bunk.
8. Always use the ladder for entering and leaving the upper bunk.
9. Do not use substitute parts. Contact the manufacturer or dealer for replacement parts.
10. Use of a night-tight may provide added safety precaution for a child using the upper bunk.
11. Always use guardrails on both long sides of the upper bunk.
12. If the bunk bed will be placed next to a wall, the guardrail that runs the full length of the bed should be placed against the wall to prevent entrapment between the bed and the wall.  
The use of water or sleep flotation mattresses is prohibited.
13. **STRANGULATION HAZARD**-Never attach or hang items to any part of the bunk bed that are not designed for use with the bed; for example, but not limited to, hooks, belts and jump ropes.
14. Keep these instructions for future reference.
15. We recommend assembling your bunk bed on the shipping carton to protect your floor or carpet.
16. Be certain all staples are out of the box before beginning assembly on the shipping carton.
17. USE ONLY MATTRESSES WHICH ARE AS THE TABLE BELOW ON UPPER AND ON LOWER BUNKS.

Down bed

Mattress type	Length	Width	Thickness
Twin XL	79"-80"	38-39"	8"

Up bed (bunk bed and tribed included)

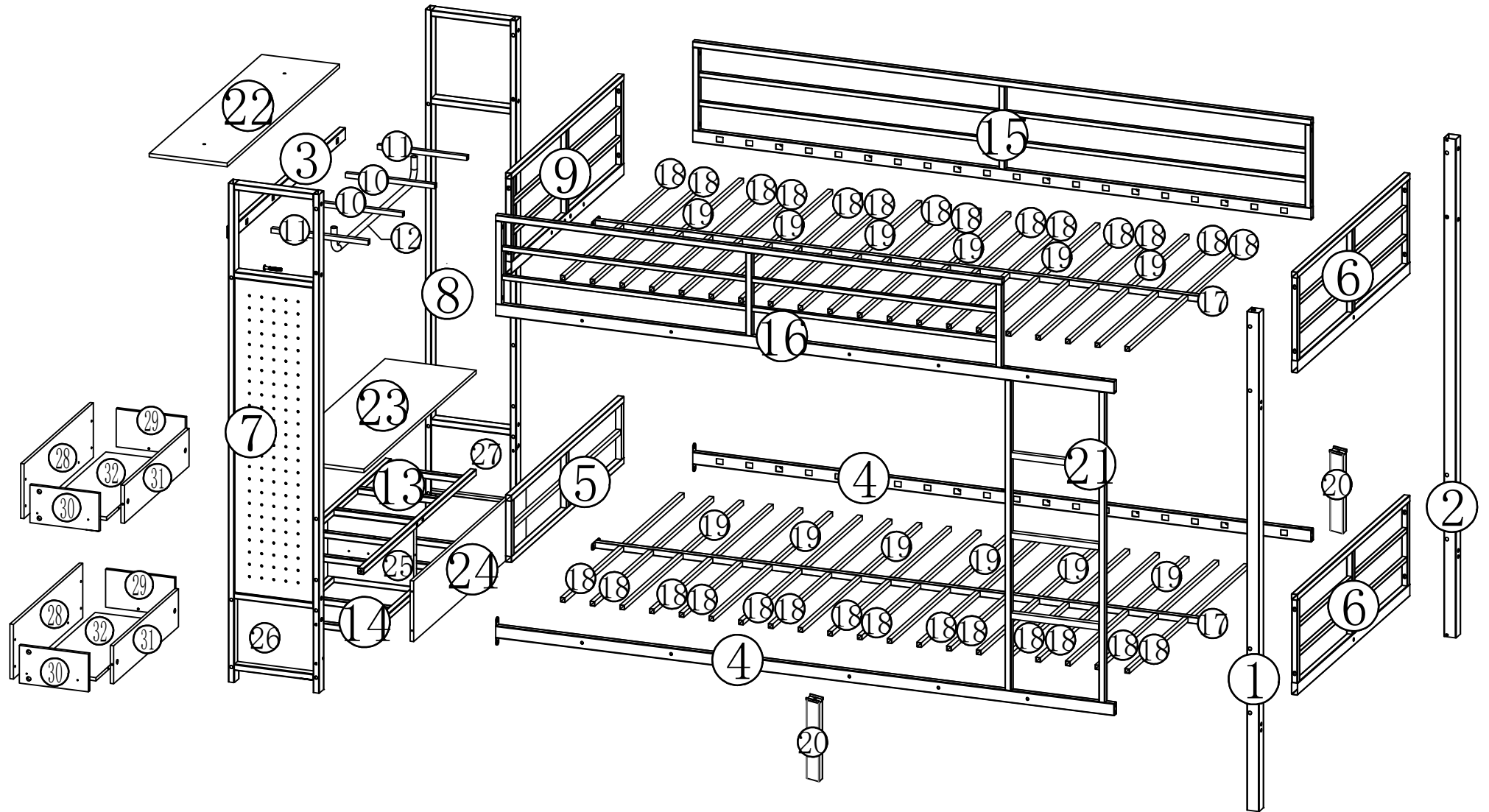
Mattress type	Length	Width	Thickness
Twin XL	79"-80"	38-39"	6"Max

18. SURFACE OF MATTRESS MUST BE AT LEAST 5"(127MM) BELOW THE UPPER EDGE OF GUARDRAILS.

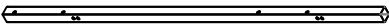
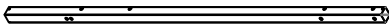
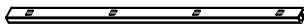


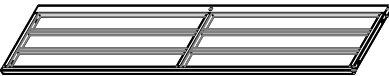
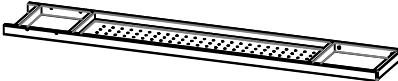

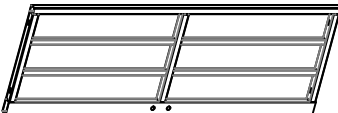












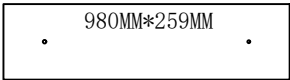

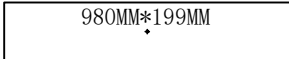
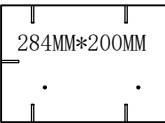
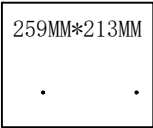
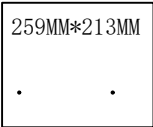
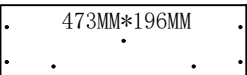


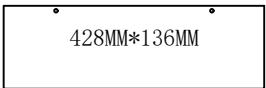

19. Replacement Parts:

Replacement Parts, including additional guardrails, may be obtained from any of our ([Shenzhen Yuefeng Zhiqi Technology Co.,Ltd](#)) dealers.











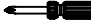



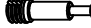



# Bed parts view



# Part List

 #1--1PCS	 #2--1PCS	 #3--1PCS	 #4--2PCS	 #5--1PCS	
 #6--2PCS	 #7--1PCS	 #8--1PCS	 #9--1PCS	 #10--2PCS	
 #11--2PCS	 #12--1PCS	 #13--1PCS	 #14--1PCS	 #15--1PCS	
 #16--1PCS	 #17--2PCS	 #18--28PCS	 #19--12PCS	 #20--2PCS	
 #21--1PCS	 #22--1PCS	 #23--1PCS	 #24--1PCS	 #25--1PCS	 #26--1PCS
 #27--1PCS	 #28--2PCS	 #29--2PCS	 #30--2PCS	 #31--2PCS	 #32--2PCS

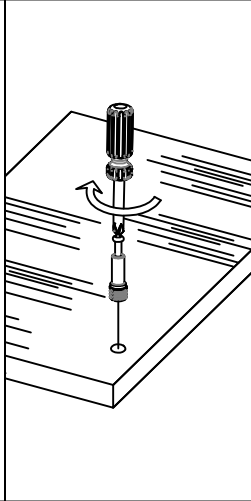
# Hardware List

																	
A-M4*10 16PCS	B-M8*15 8PCS	C-M8*35 8PCS	D-M8*55 40PCS	E-M6*25 28PCS	F-M8*15 18PCS	G-M4*35 12PCS	H-M4*50 4PCS	K 80PCS	L	M	N-M4*25 9PCS	P-M4*18 2PCS	O 1PCS	S-M6 24PCS	T-24PCS	U-2PCS	V-4PCS

Follow the steps below  
to use the camlocks.

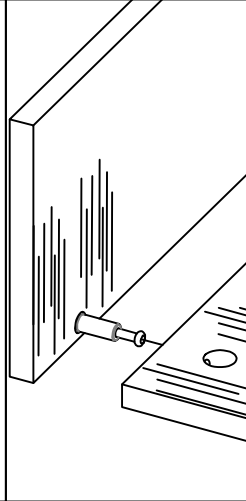
**Step 1:**

According to the assembly instructions, first press the male camlock into the wooden board hole, then use a screwdriver to connect the male camlock. (DO NOT OVER TIGHTEN. NE PAS SERRER EXCESSIVEME)



**Step 2:**

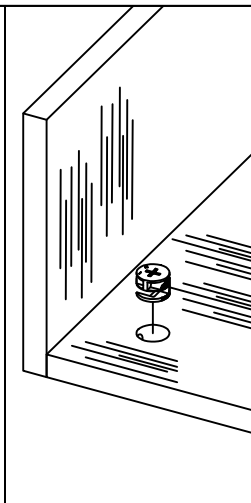
Push the male camlock into the entry hole



**Step 3:**

Insert the female camlock as shown in the instruction.

Note:  
ensure that the arrow on the top of the camlock points towards the entry hole for the male camlock

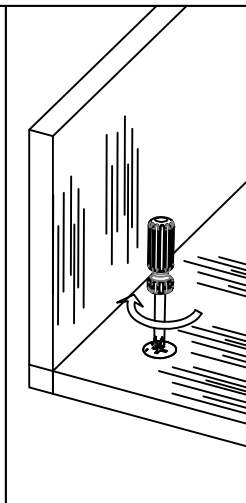


**Step 4:**

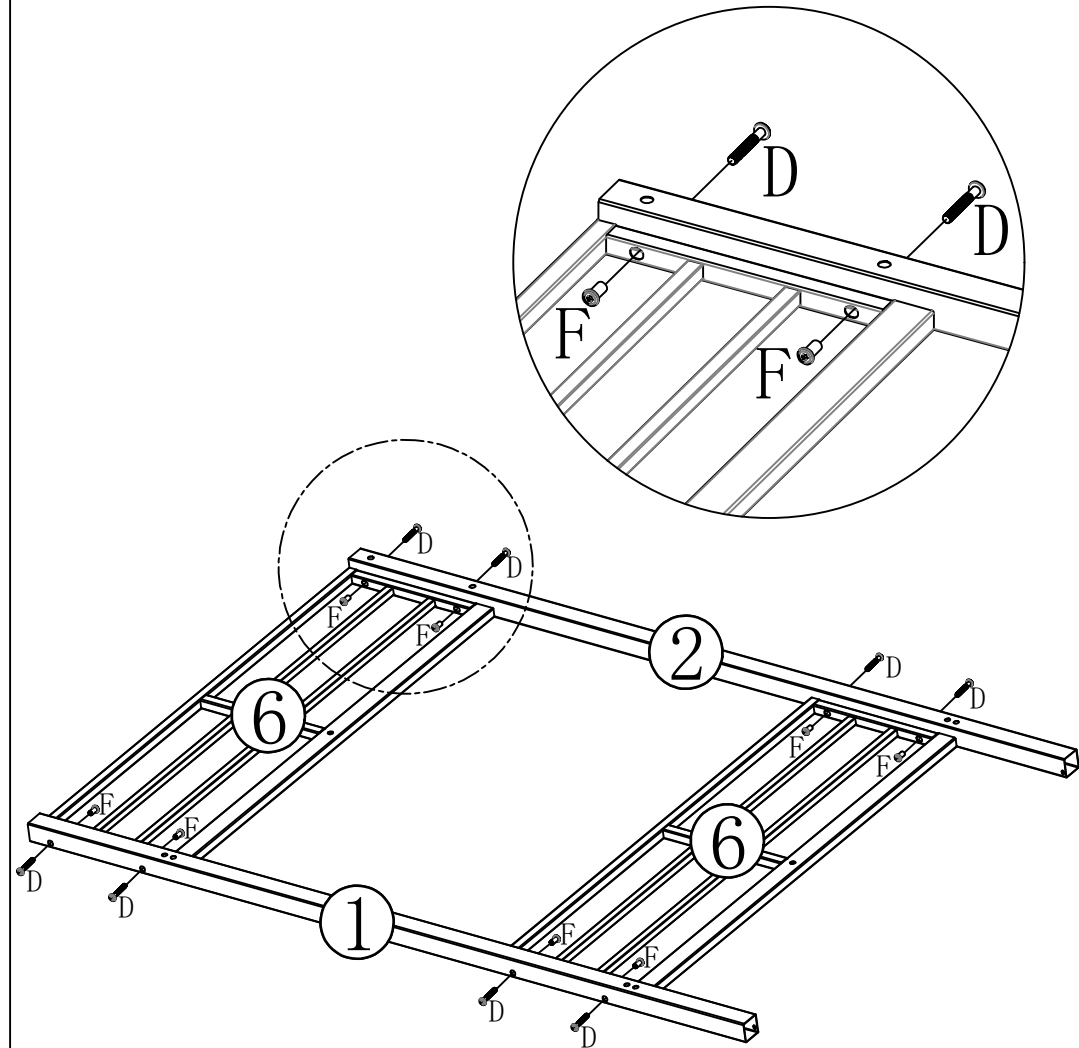
Turn the female camlock clockwise with a screwdriver.

You should feel a click when the camlock is locked in place.

The joint is now secure



**Step 1:**



D  
8\*55-8PCS

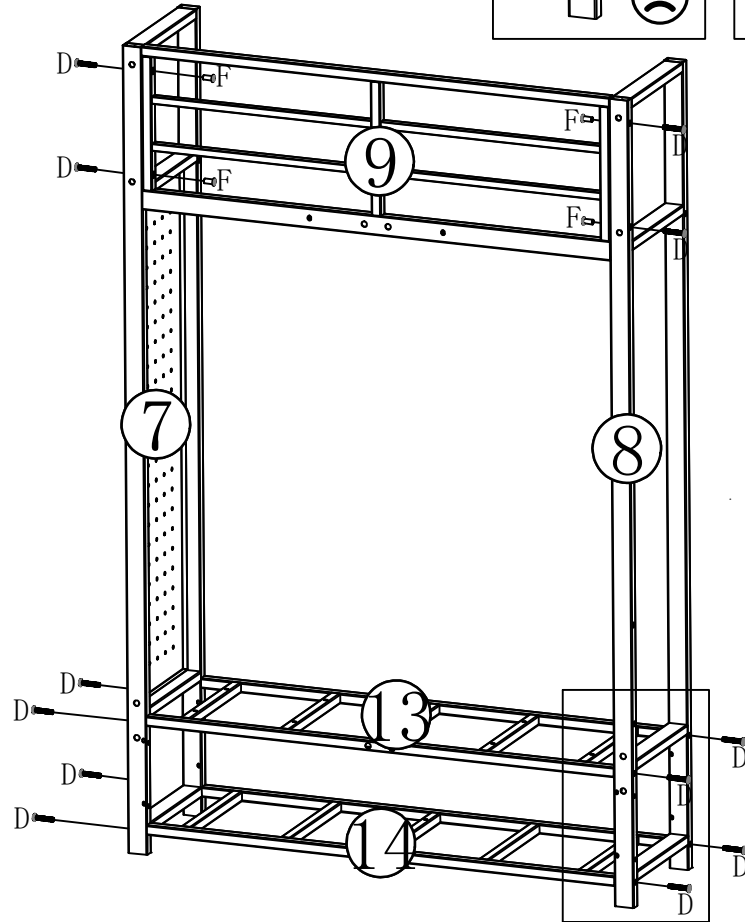
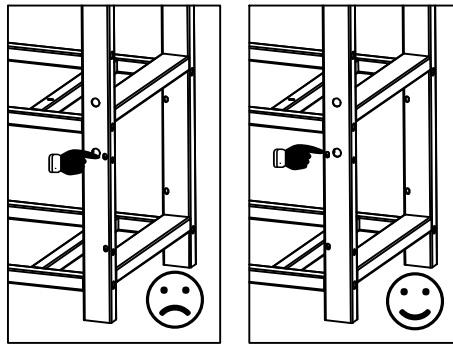


F  
8\*15-8PCS

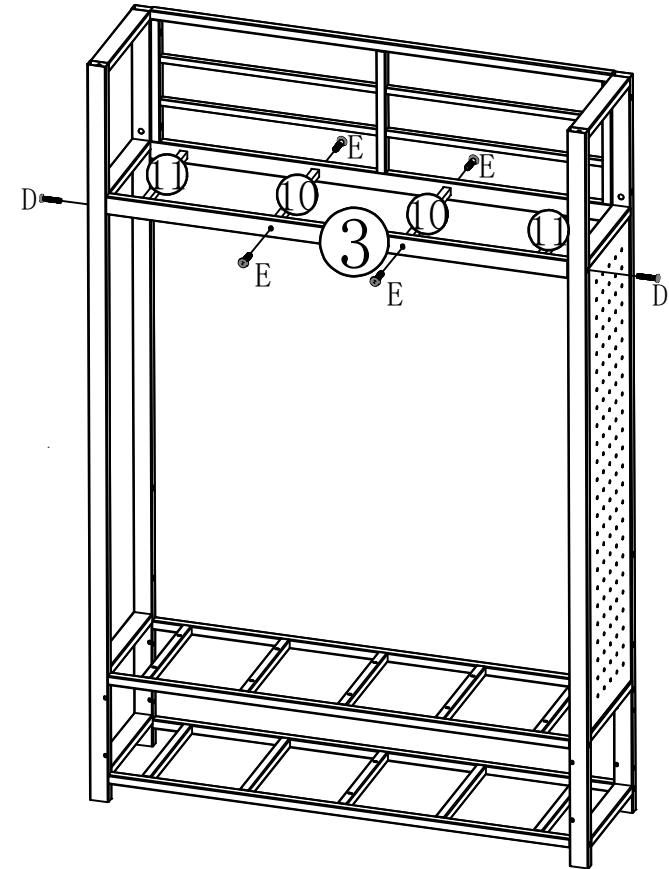


L

## Step 2:



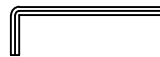
## Step 3:



D  
8\*55-12PCS



F  
8\*15-4PCS



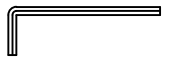
L



D  
8\*55-2PCS

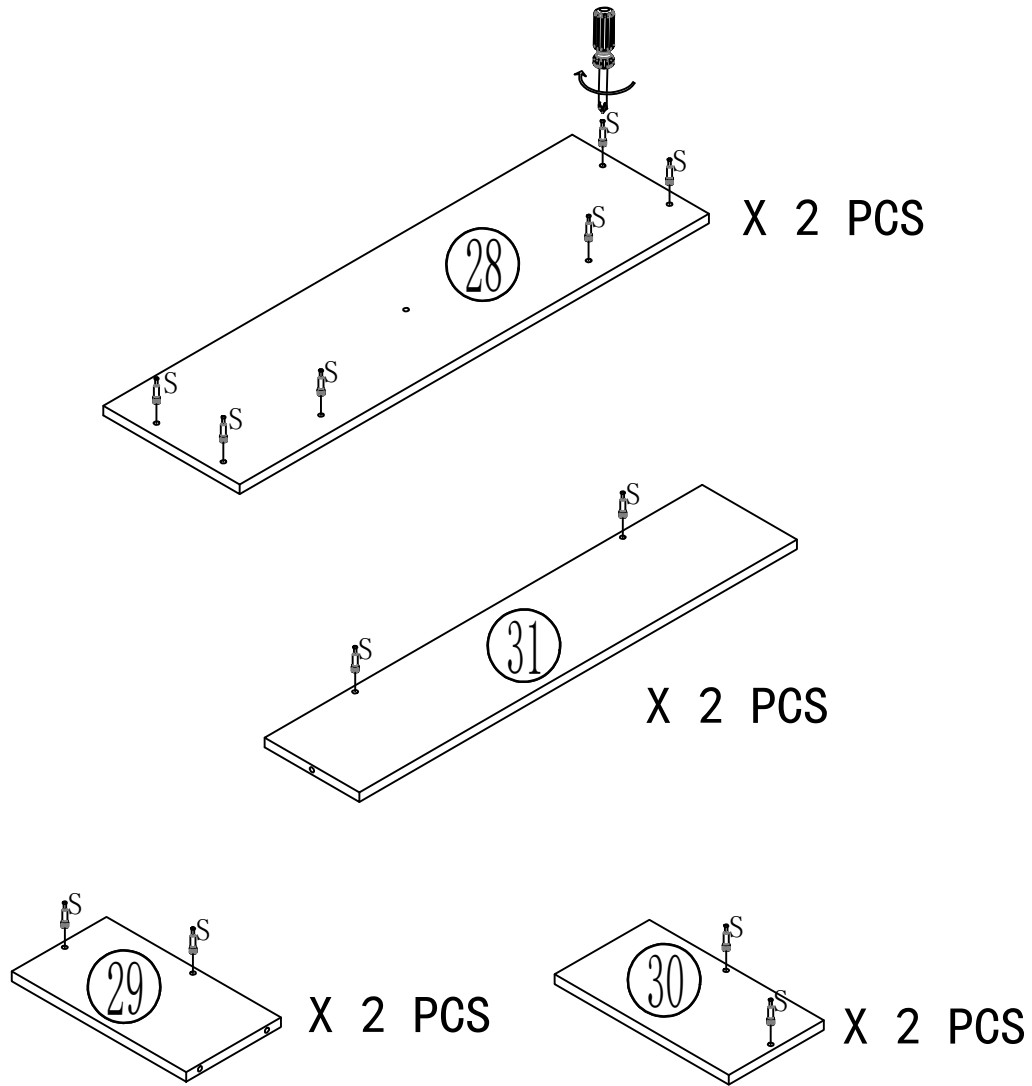


E  
6\*25-4PCS

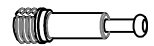
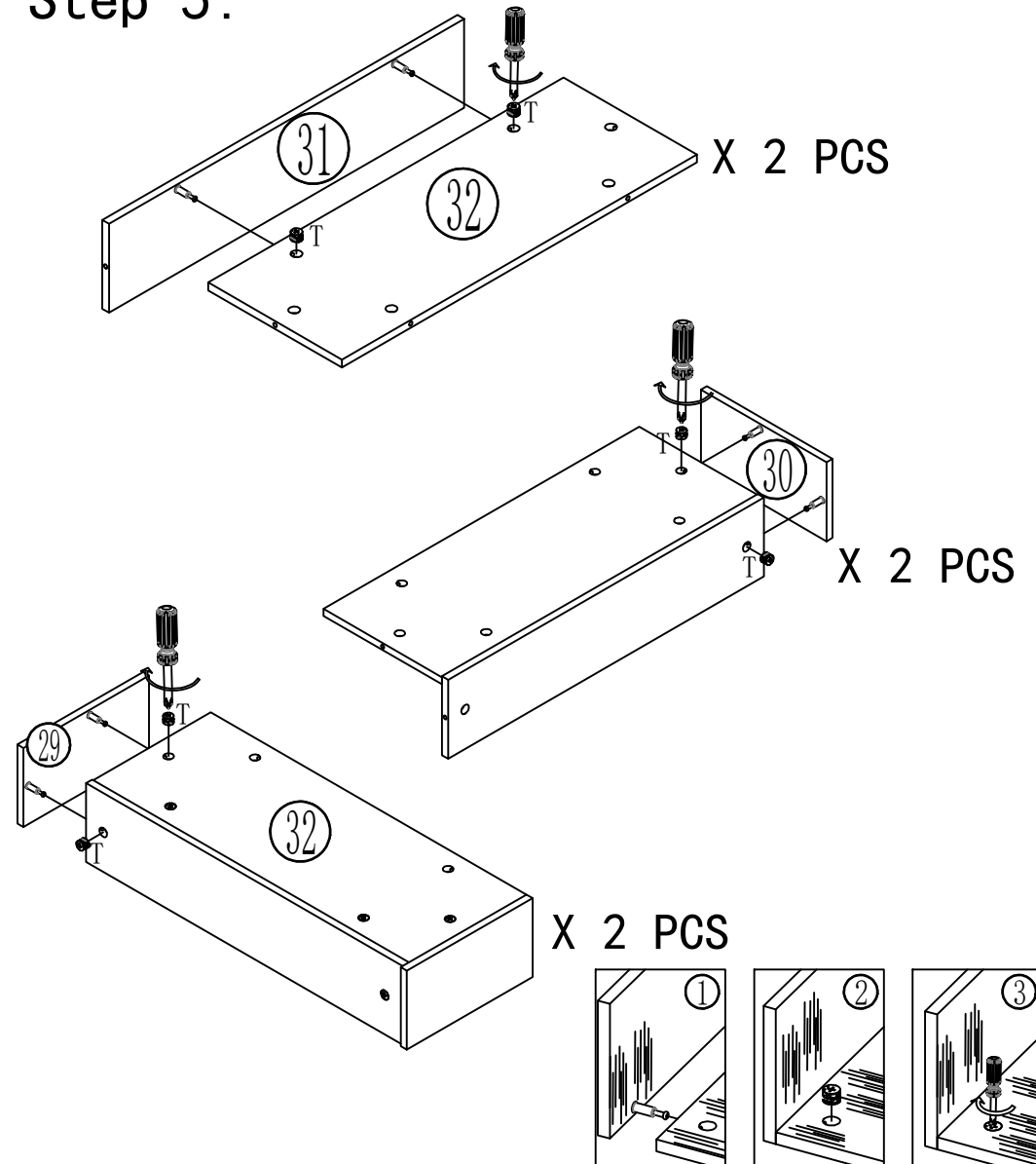


L

# Step 4:



# Step 5:



S  
6\*25-24PCS



M

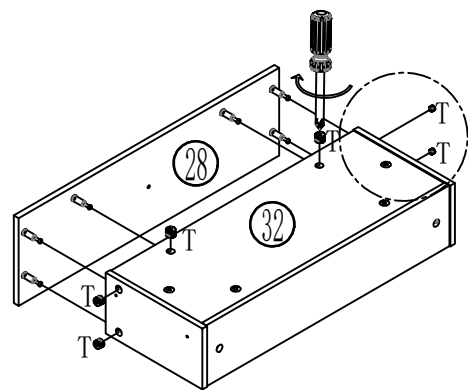


T  
12PCS

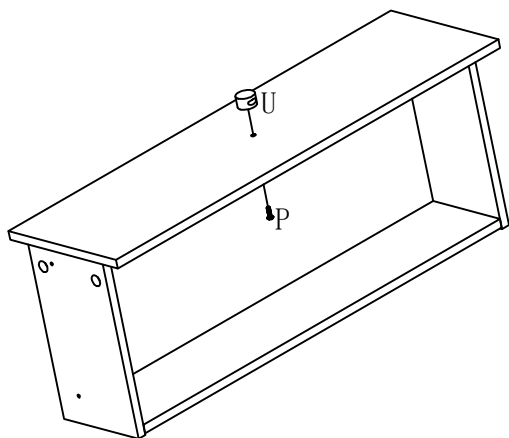


M

# Step 6:

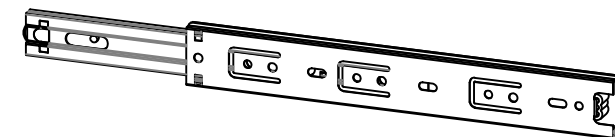
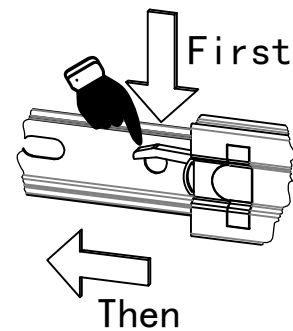
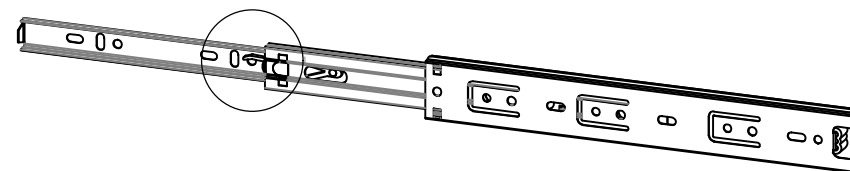


X 2 PCS

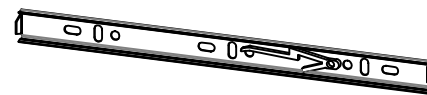


X 2 PCS

# Step 7:



(This part is installed on the cabinet.)



(This part is installed on the drawer.)



T  
12PCS



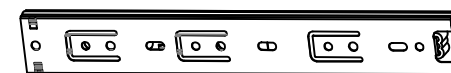
U  
2PCS



P  
4\*18-2PCS

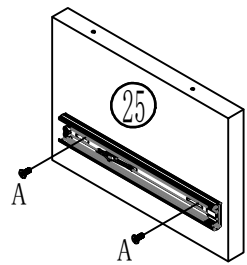


M

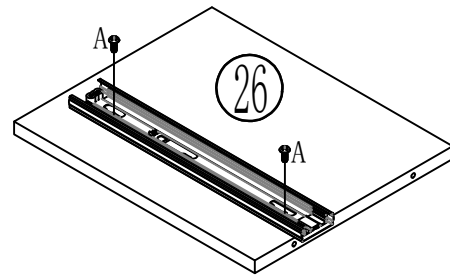
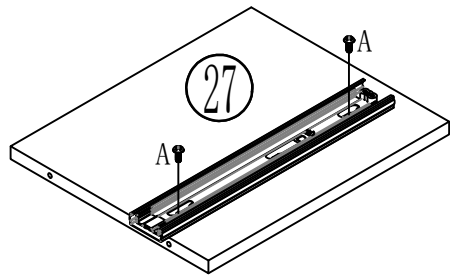
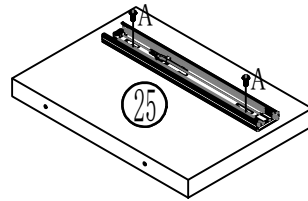


V-4PCS

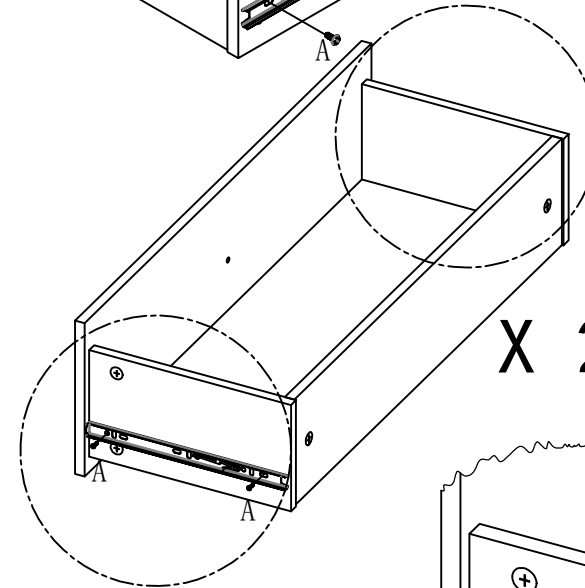
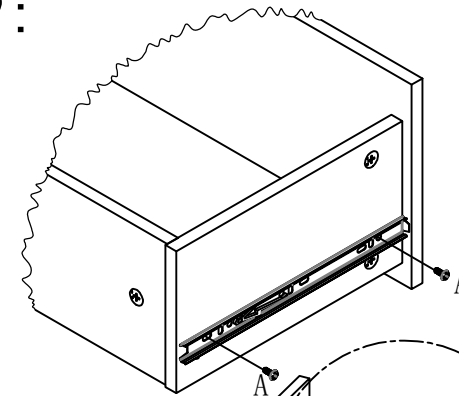
## Step 8:



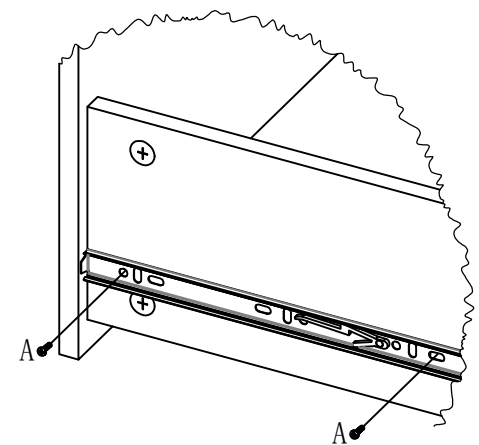
Flip this wooden board to the other side, then install three-section slide rails as well.



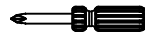
## Step 9:



X 2 PCS



A  
4\*10-8PCS



M

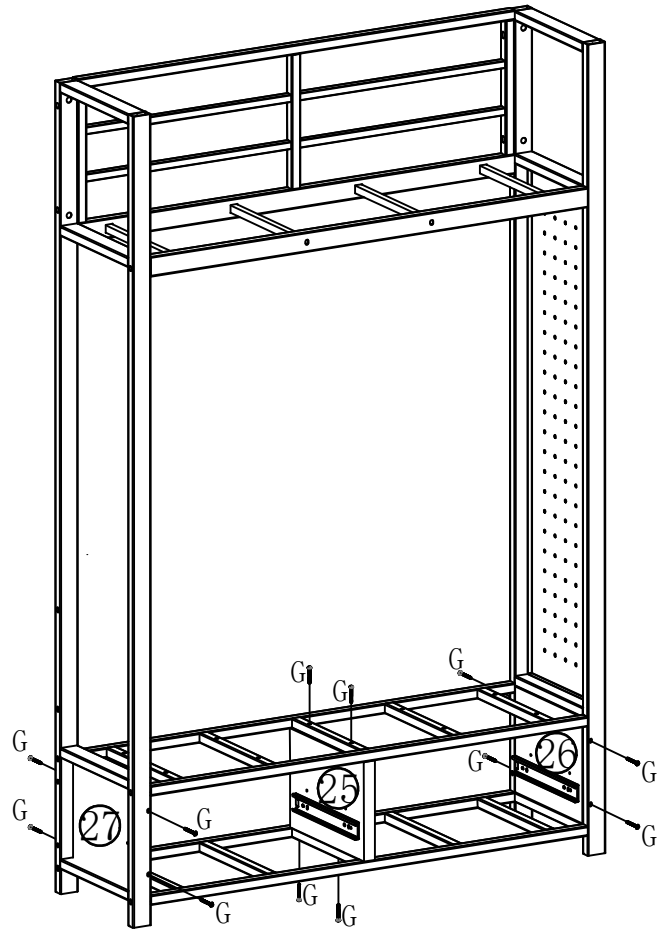


A  
4\*10-8PCS



M

# Step 10:

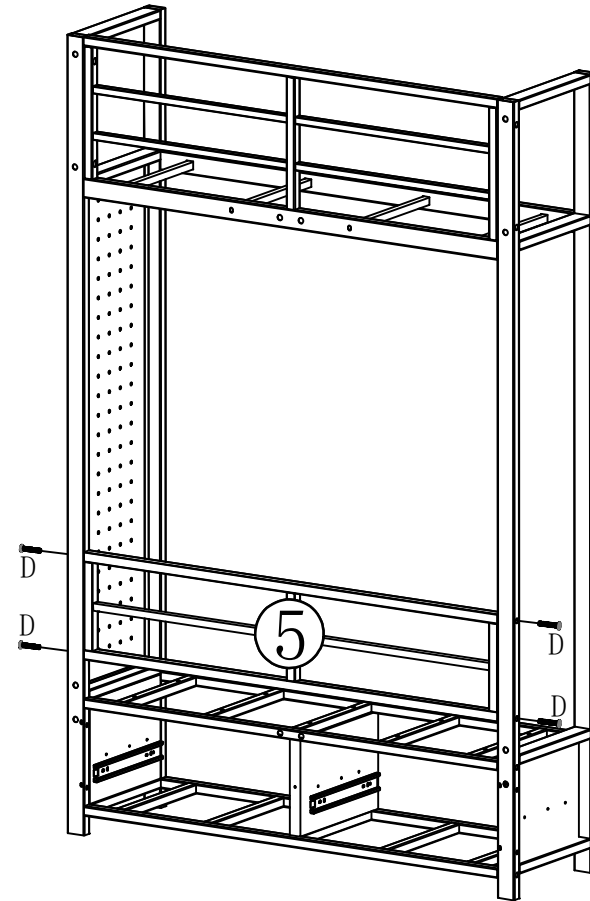


G  
4\*35-12PCS



M

# Step 11:

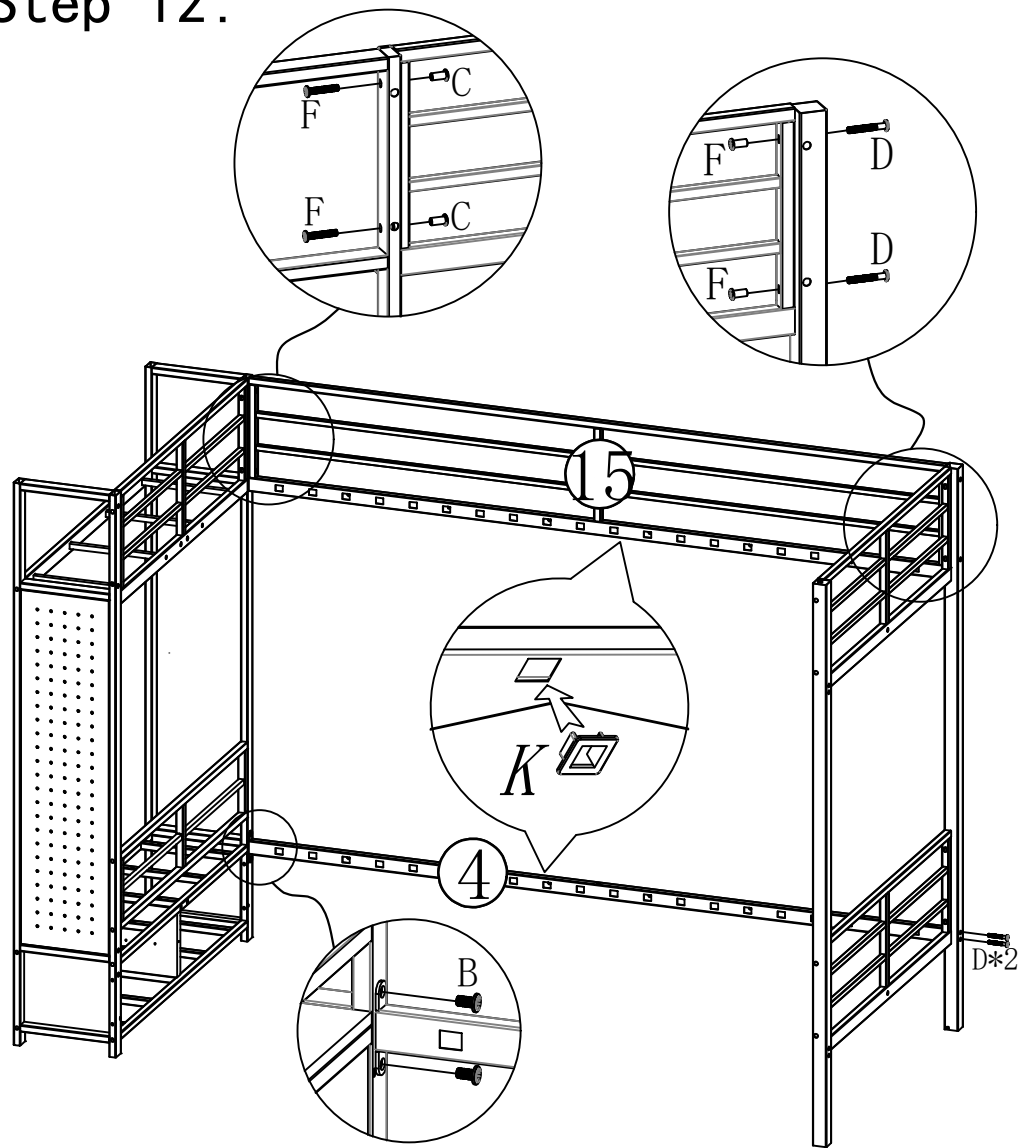


D  
8\*55-4PCS

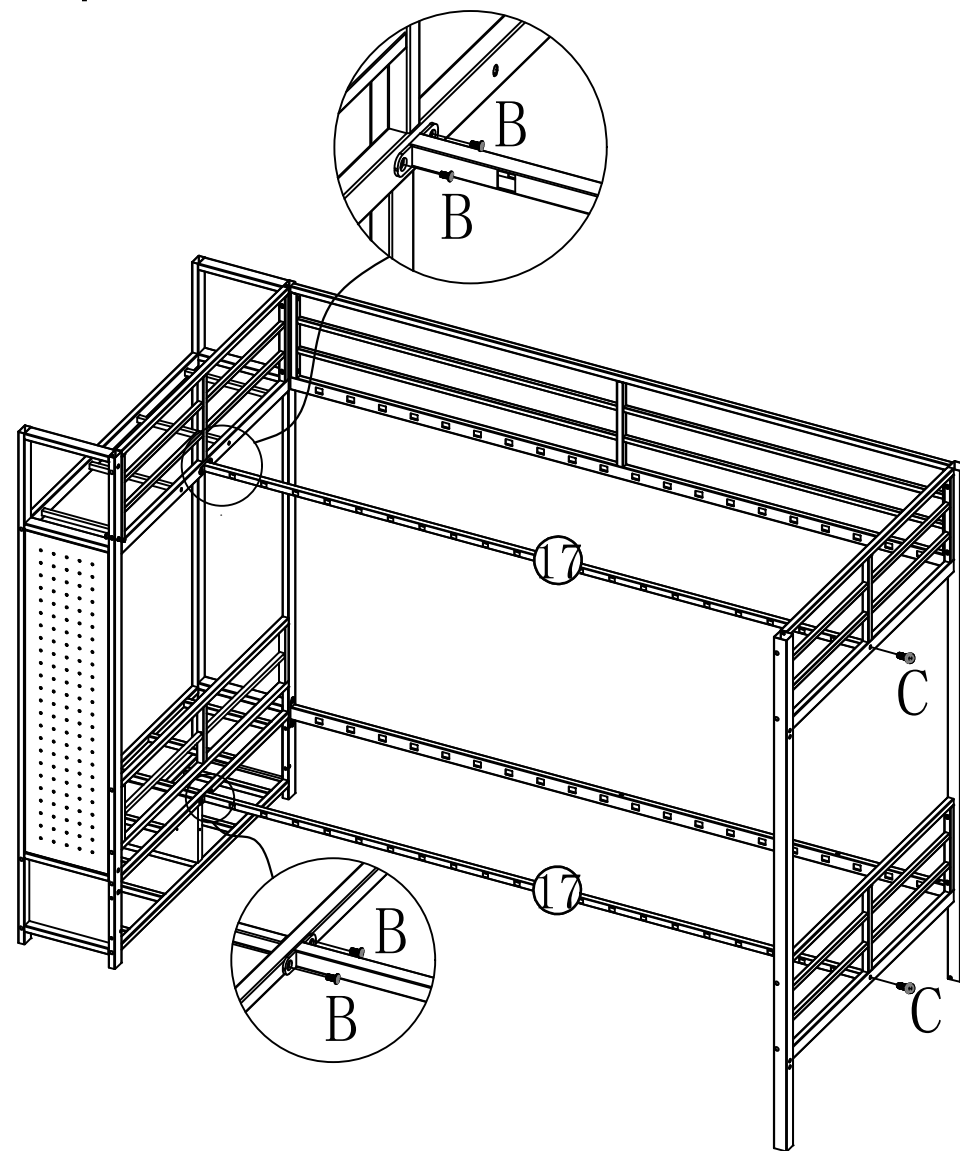







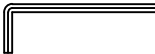
L




# Step 12:



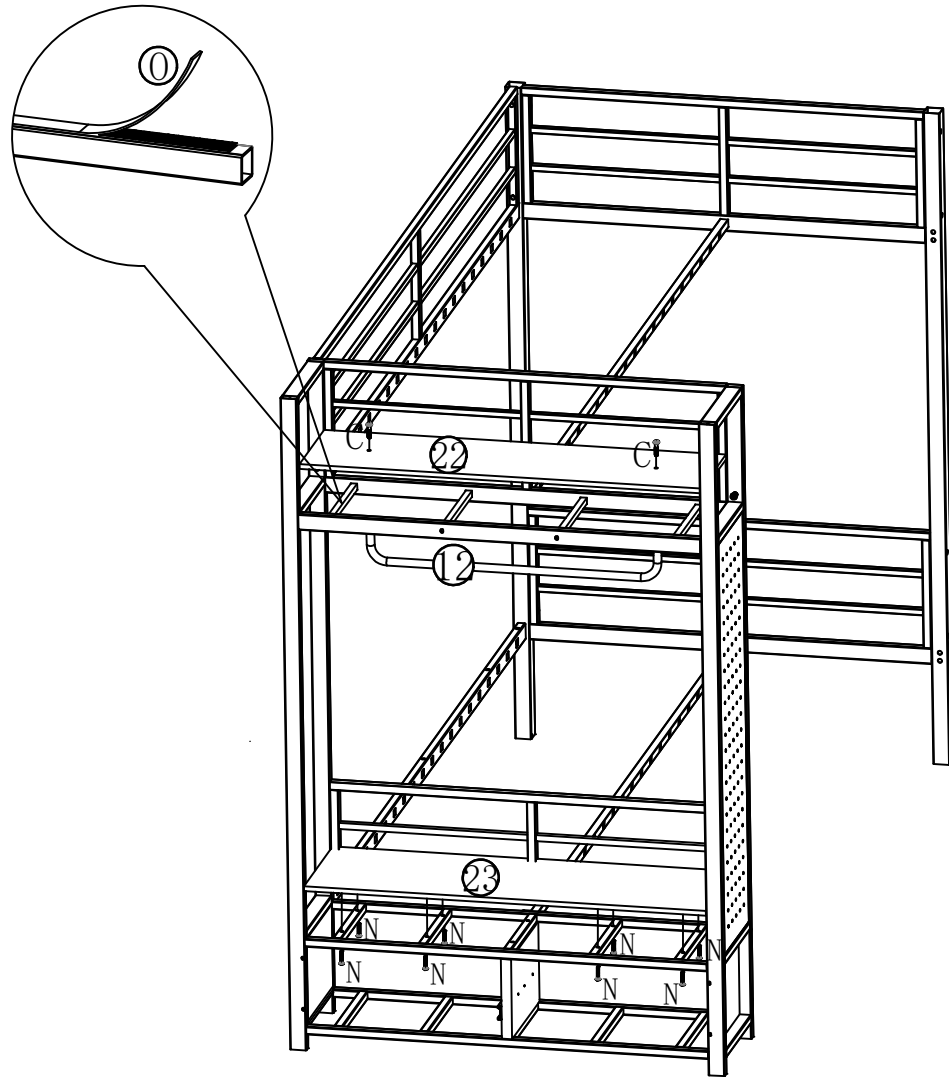
# Step 13:



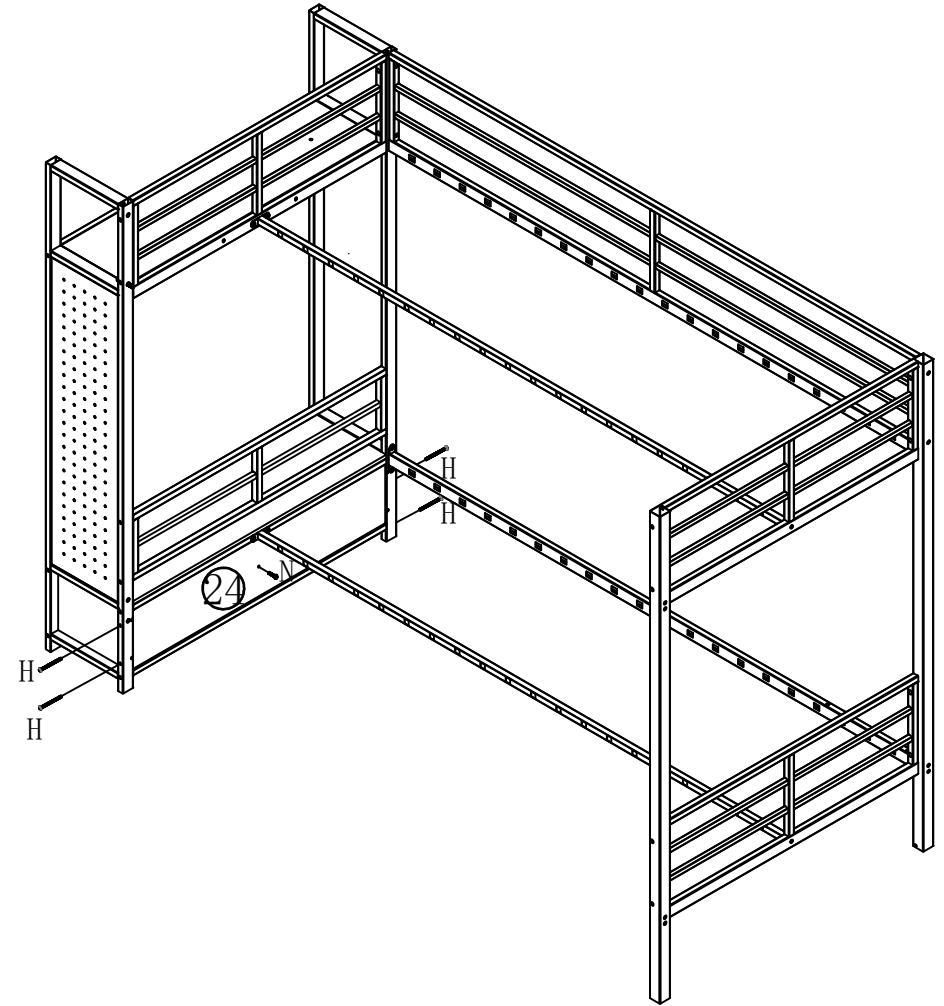
					
B	C	D	F	K	L
8*15--2PCS	8*35-2PCS	8*55-4PCS	8*15-4PCS	40PCS	

		
B	C	L
8*15--4PCS	8*35-2PCS	

# Step 14:



# Step 15:



C  
M8\*35-2PCS



N  
4\*25-8PCS



M



L



H  
4\*50-4PCS

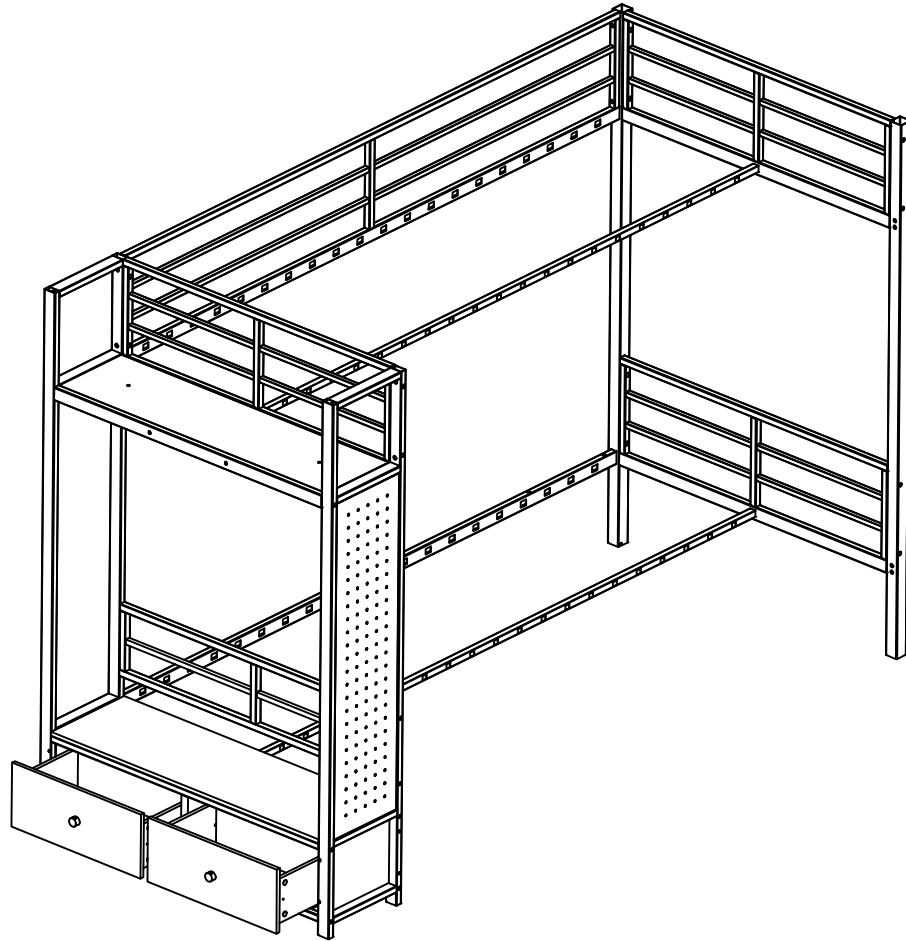


N  
4\*25-1PCS

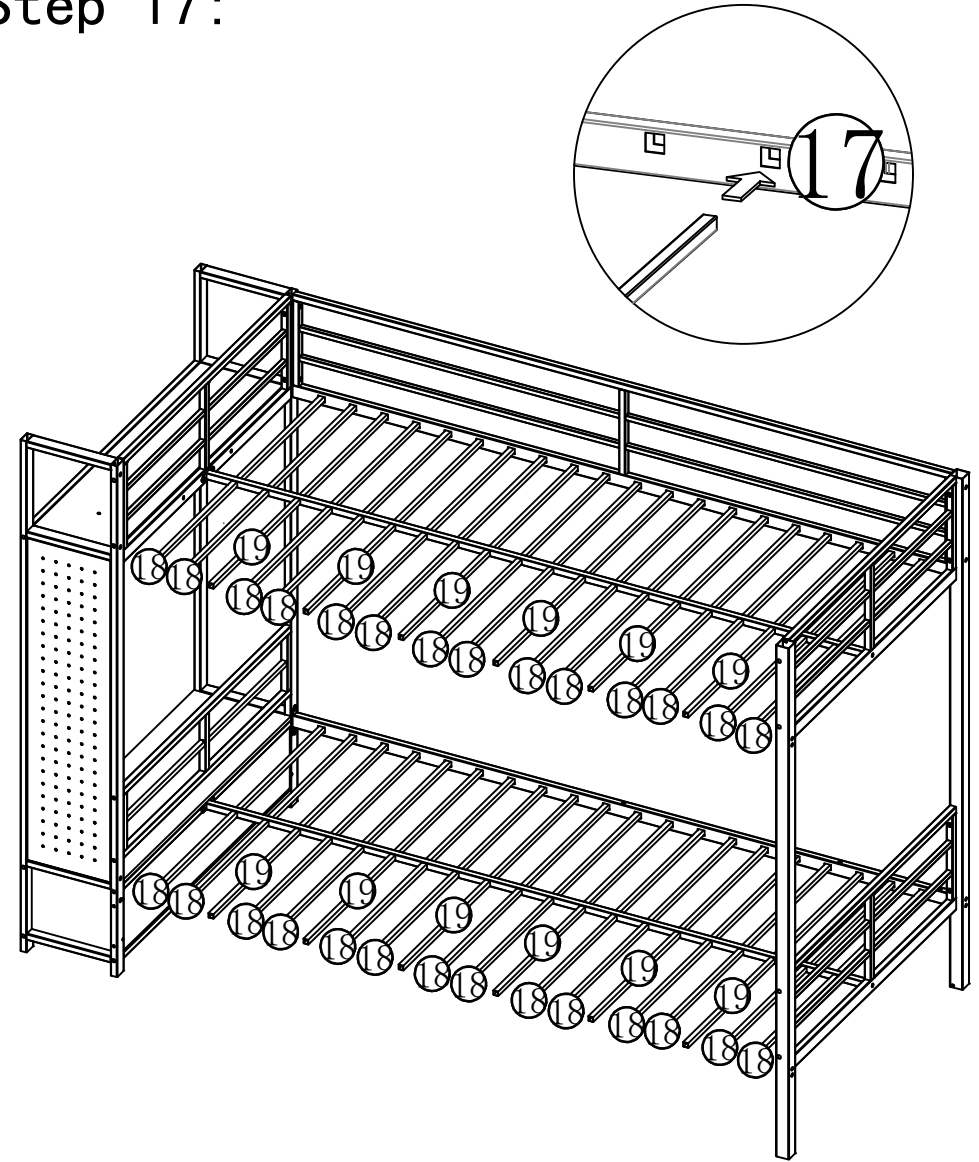


M

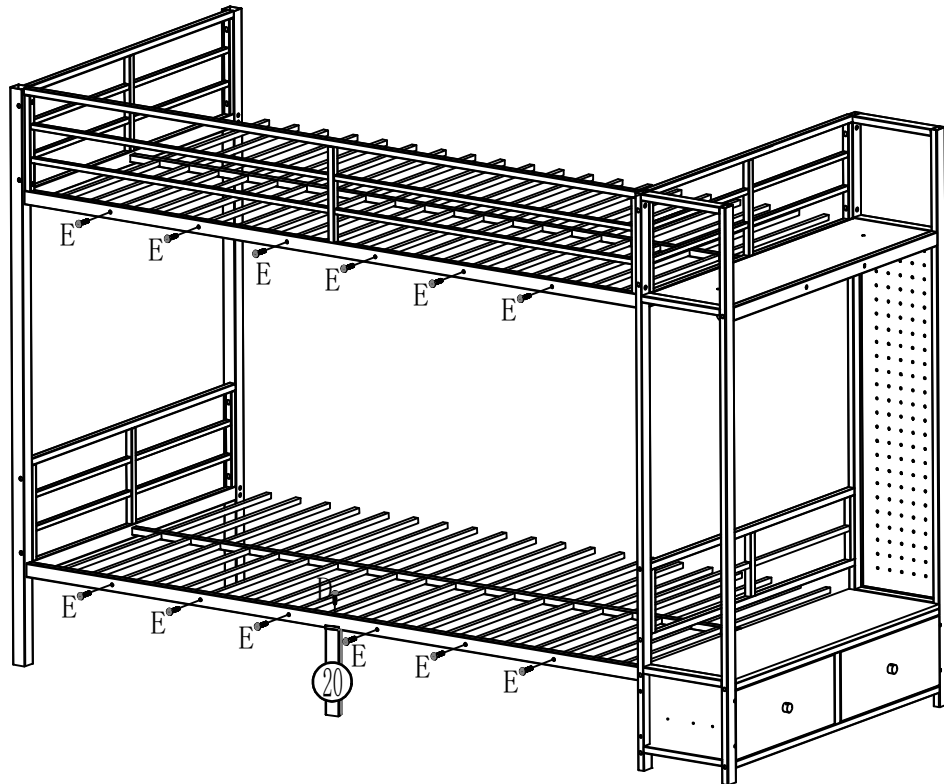
# Step 16:



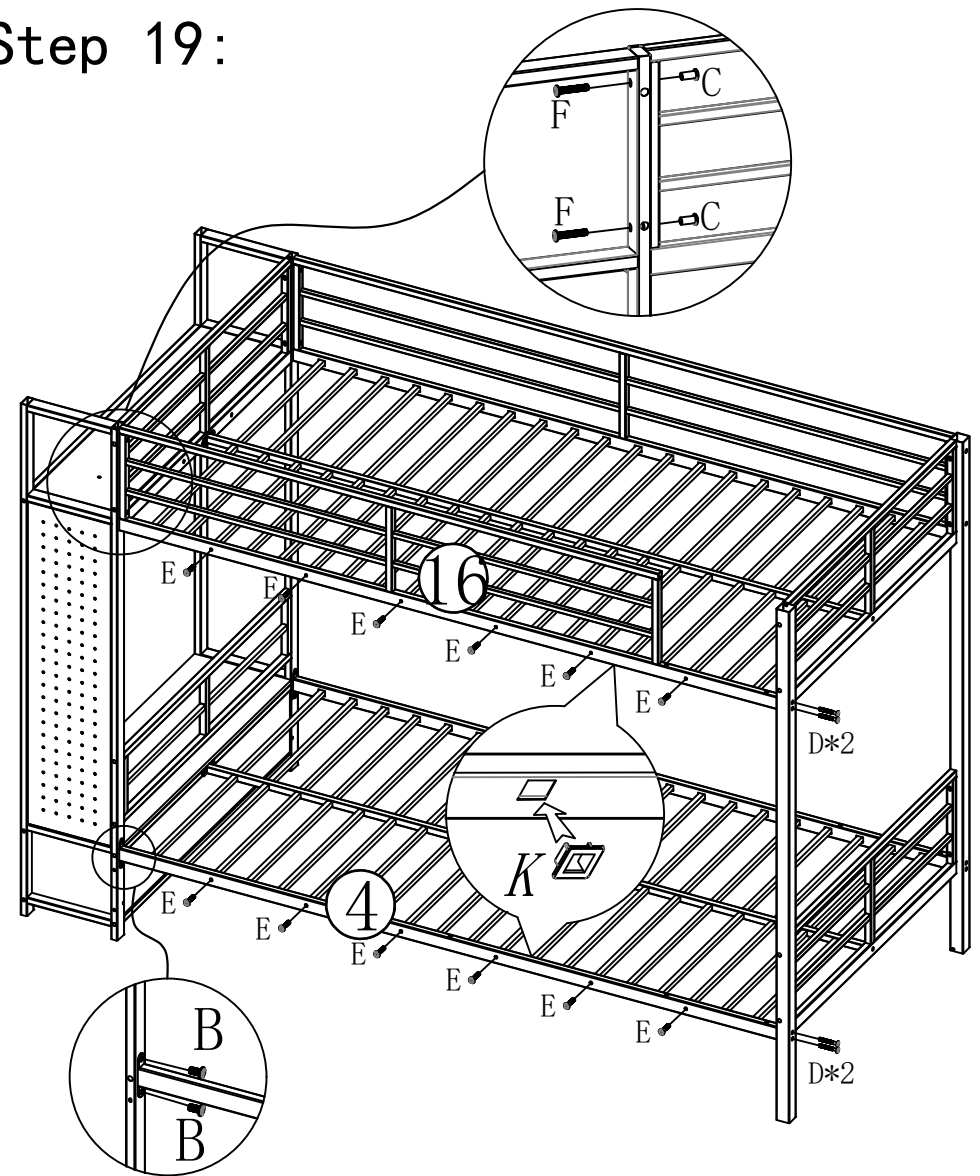
# Step 17:



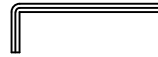









# Step 18:

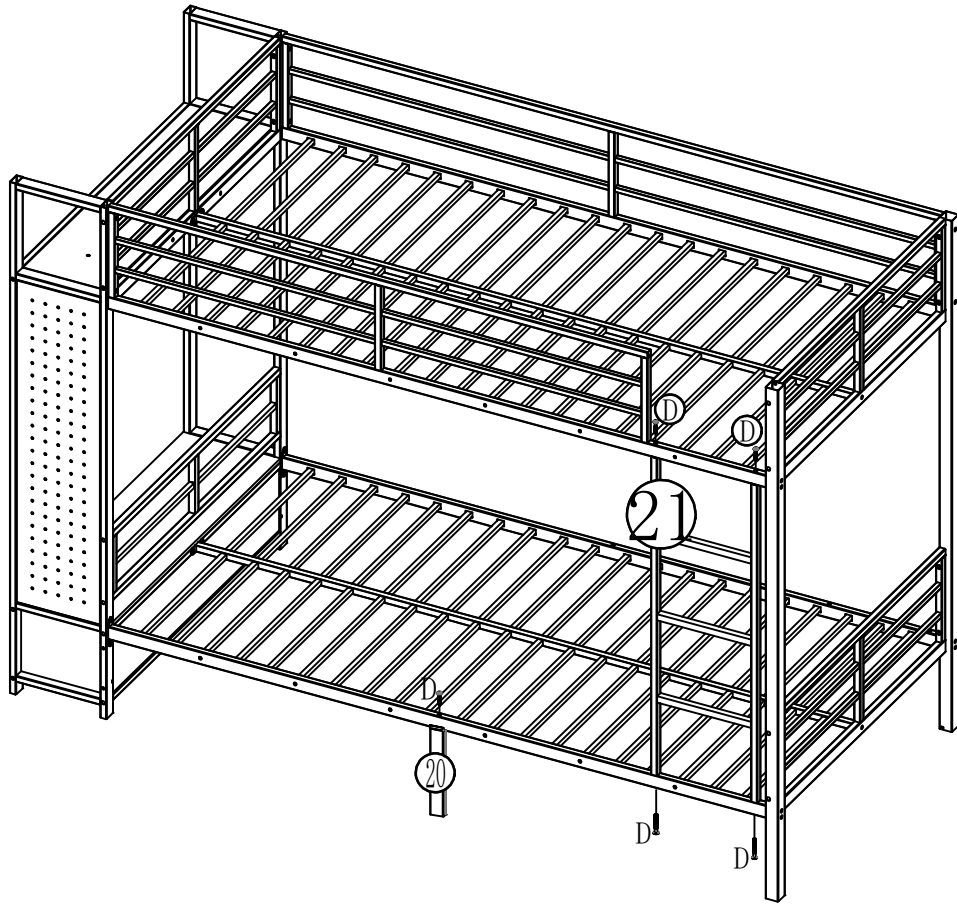


# Step 19:

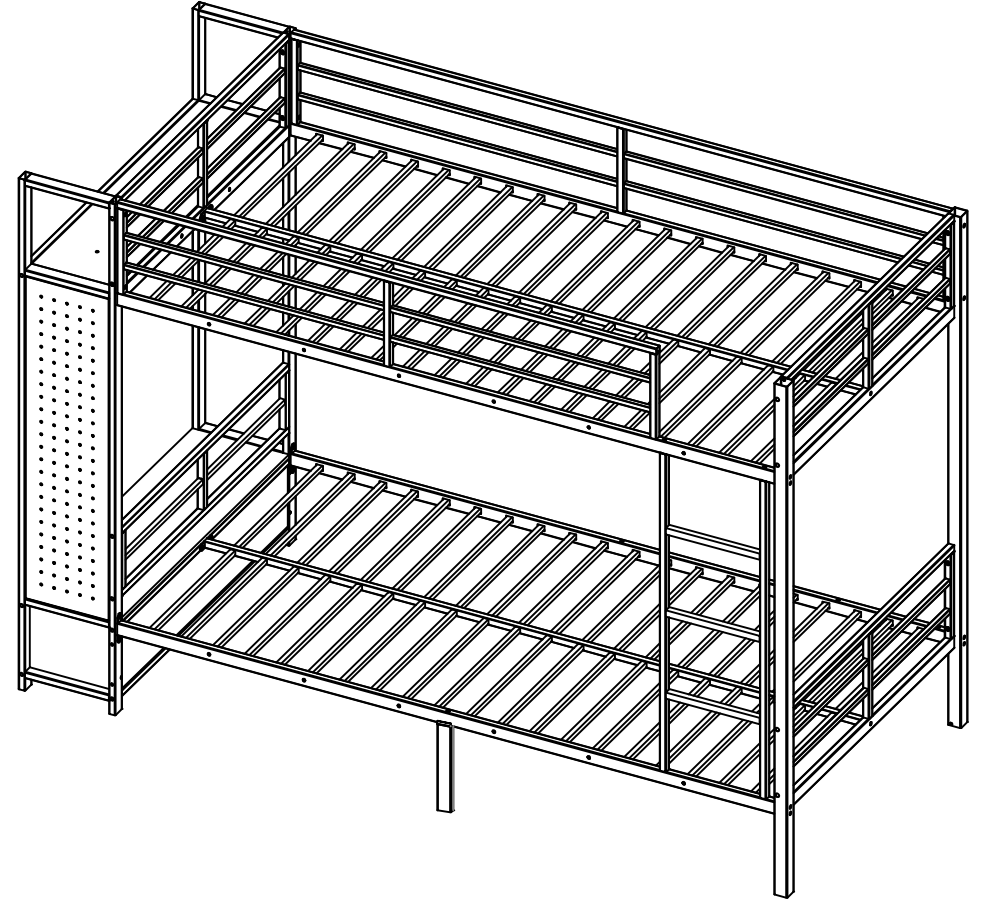


 <b>D</b> M8*55-1PCS	 <b>E</b> M6*25-12PCS	 <b>L</b>	 <b>B</b> M8*15 2PCS	 <b>C</b> M8*35 2PCS	 <b>D</b> M8*55 4PCS	 <b>E</b> M6*25 12PCS	 <b>F</b> M8*15 2PCS	 <b>K</b> -40PCS	 <b>L</b>
---	--	--	--	--	--	---	--	--	---

# Step 20:



# Completed



D  
M8\*55-5PCS



L



**Attention** Please make sure all bolts are fastened before use  
thank you.