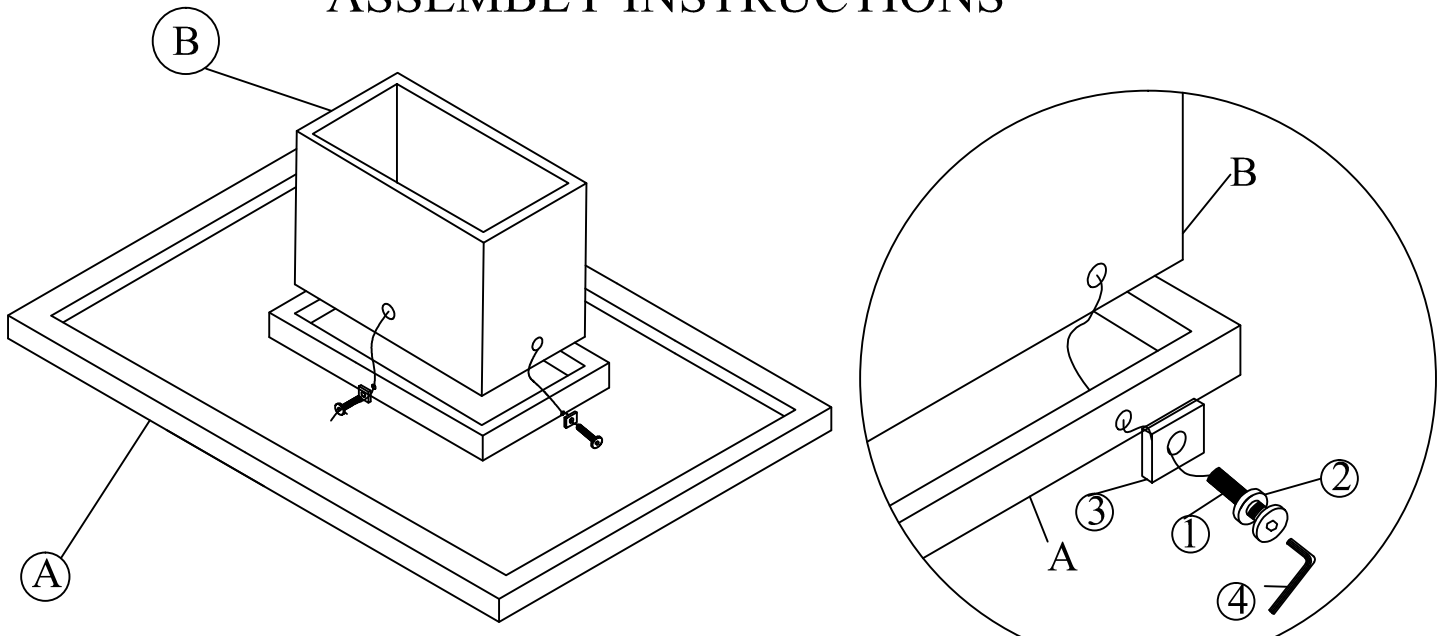
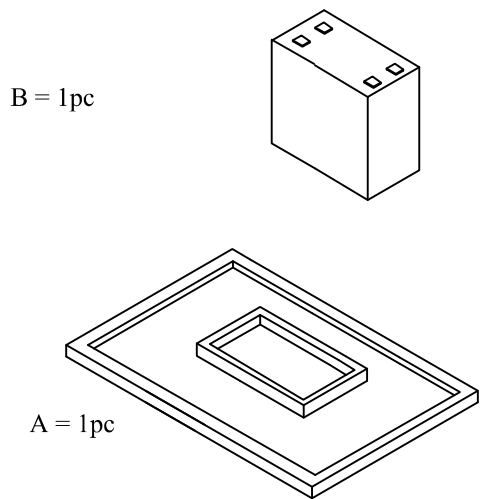
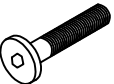





ASSEMBLY INSTRUCTIONS

PART LIST



LIST OF HARDWARE

NO.	Hard ware	Qty.
1	Hex Bolts 	4 pcs
2	Plastic washer 	12pcs
3	Washer 	4 pcs
4	Allen wrench 	1 pcs

