

# Deck Box Instruction (See Video first, it will save you One hour)

[ Most important !!!]  
 Do not tighten any bolts until it tells you to use the tool. Fingertip tight only. Because they need some room to adjust. Keep the product balanced and stable. If you tighten some of these screws first, the other screws may not have room to fit, and the product will not be installed successfully.

[Guarantee]  
 If you have questions or quality problem, Email us: [service@foresthomes-us.com](mailto:service@foresthomes-us.com) we will reply you in 12hour.

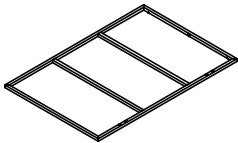
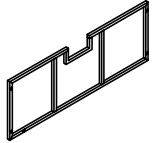
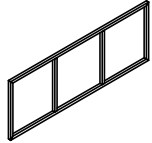
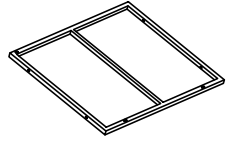
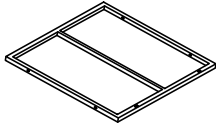
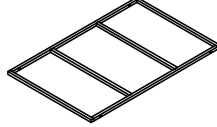
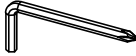
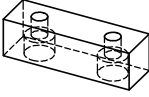
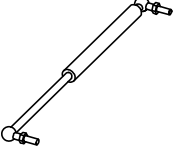
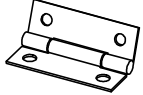


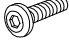



WHATSAPP CODE

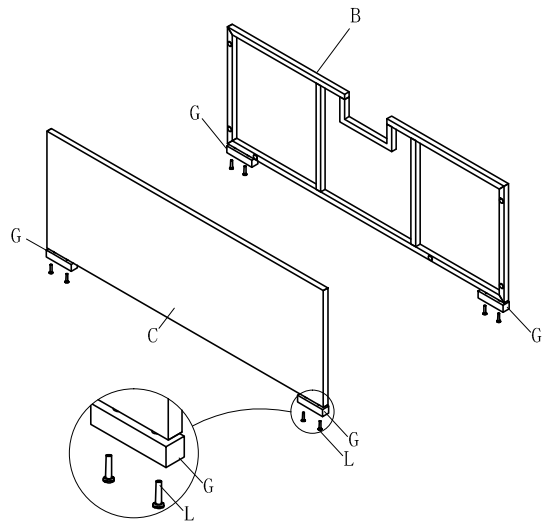
[ Installation Video]  
 The installation video on YOUTUBE for your reference. The Youtube code is **1npaZ6Bf9zo** you just search the code on YOUTUBE, the video will be there. Scan it.



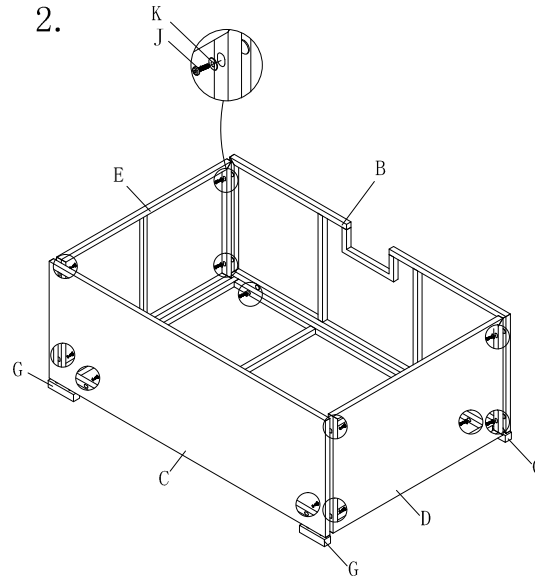
INSTALLATION VIDEO CODE

						
A*1	B*1	C*1	D*1	E*1	F*1	N*1
			 M6*35	 M6	 M6*25	 M6*18
G*4	H*2	I*2	J*12	K*12	L*8	M*8

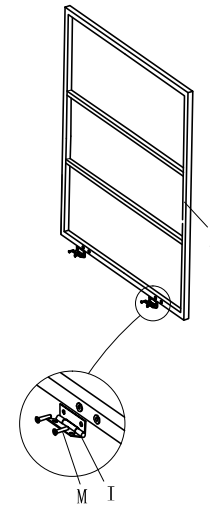
1.



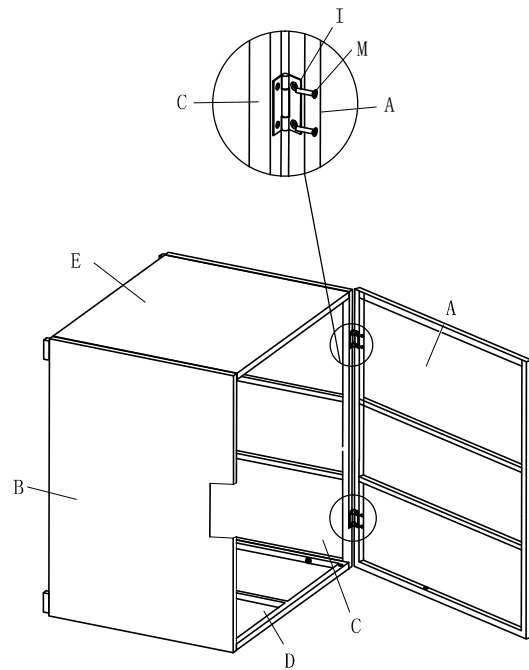
2.



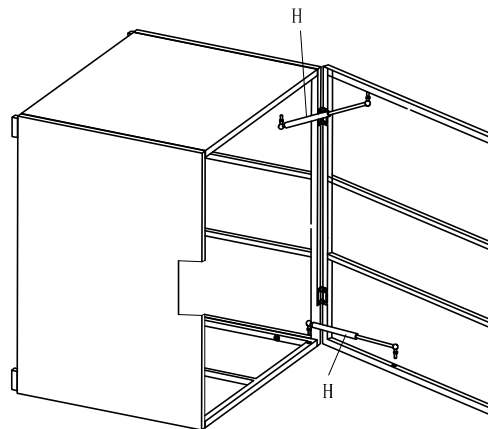
3.



4.



5.



6.

