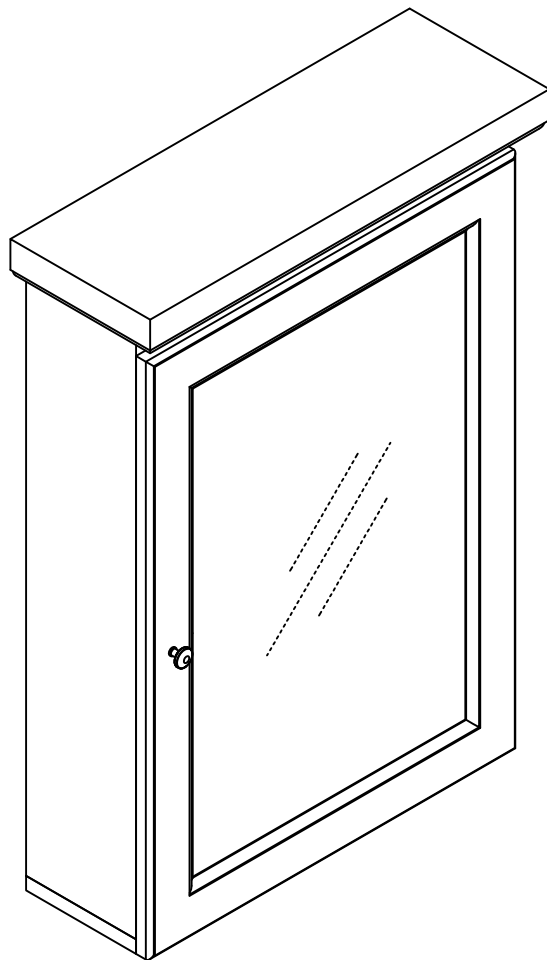
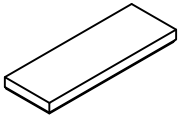
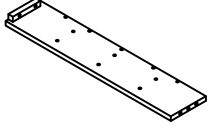
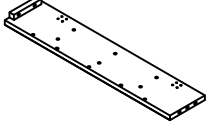
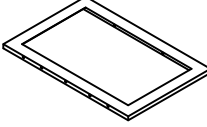
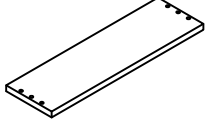
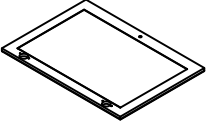
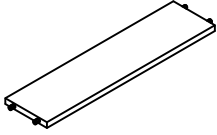
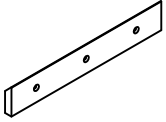







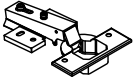
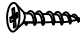


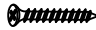
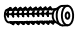


Mirrored Wall Cabinet



PART LIST

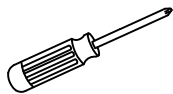
<p>A</p> 	<p>B</p> 	<p>C</p> 	<p>D</p> 	<p>E</p> 
<p>Top Panel 1 PC</p>	<p>Left Panel 1 PC</p>	<p>Right Panel 1 PC</p>	<p>Back Panel 1 PC</p>	<p>Bottom Panel 1 PC</p>
<p>F</p> 	<p>G</p> 	<p>H</p> 		
<p>Glass Door 1 PC</p>	<p>Fixed Shelf 3 PCS</p>	<p>Support Plate 1 PC</p>		

HARDWARE LIST

 $\phi 1/4" \times 2-1/4"$	 $\phi 1/4" \times 1-1/4"$	 $\phi 1/4"$	 $\phi 1/4" \times 12\text{mm}$	 $\phi 8 \times 30\text{mm}$
Long Bolt 4 PCS	Short Bolt 8 PCS	Spring Washer 12 PCS (Extra 1)	Flat Washer 12 PCS (Extra 1)	Wood Dowel 10 PCS (Extra 1)
	 $\phi 3.5 \times 14\text{ mm}$		 $\phi 5/32" \times 3/4"$	 $\phi 8 \times 38\text{mm}$
Door Hinge 2 PCS	Screw 12 PCS (Extra 1)	Knob 1 PC	Round Head Bolt 1 PC	Long Screw 3 PCS
				
Wall Anchor 3 PCS	Allen Wrench 1 PC	Adhesive Pad 2 PCS		

ADDITIONAL TOOLS (Not Provided)

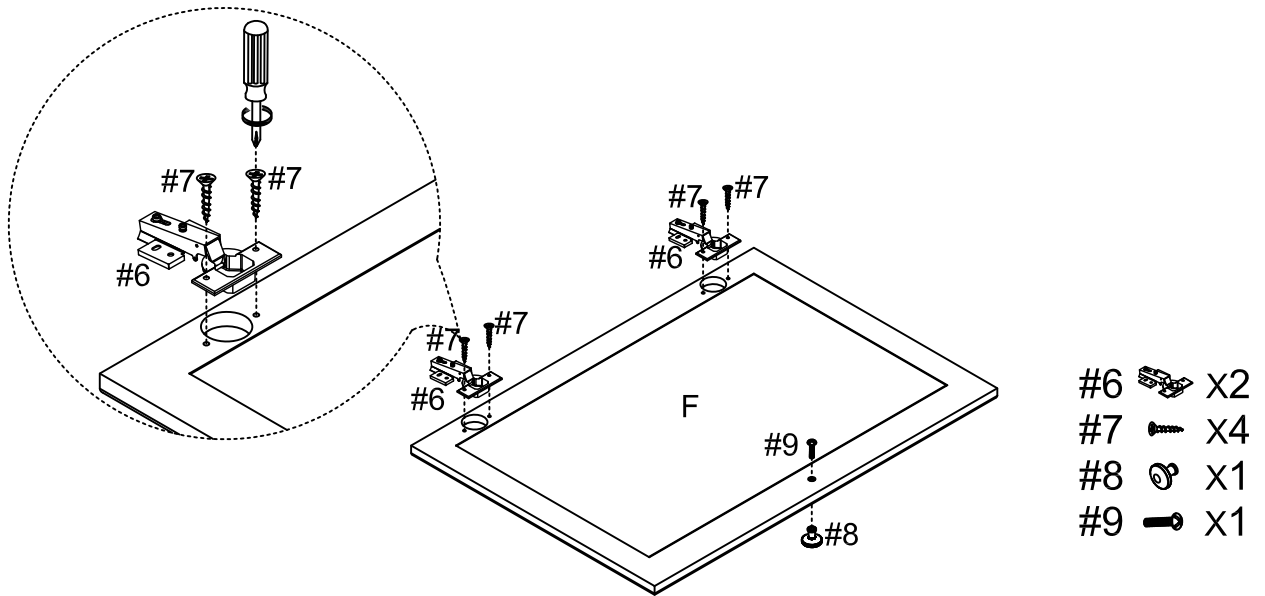
Note: It is not recommended to use power tools during assembly.



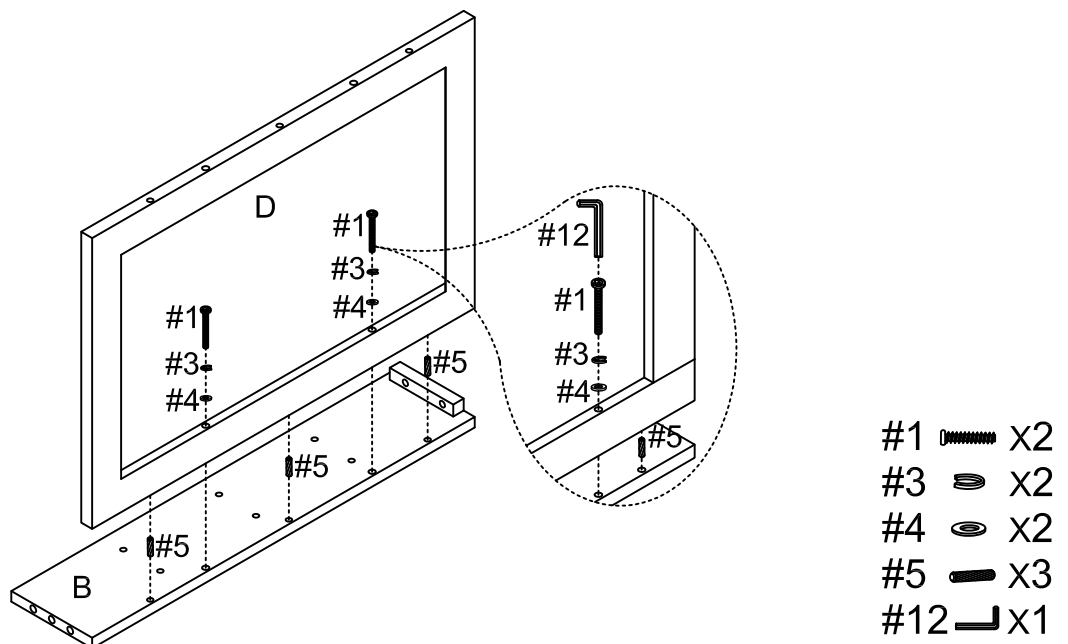
Phillips Head Screwdriver

Note: Wood dowels are intended for alignment. Additional clearance between wood dowel and pre-drilled hole is intentional for ease of assembly.

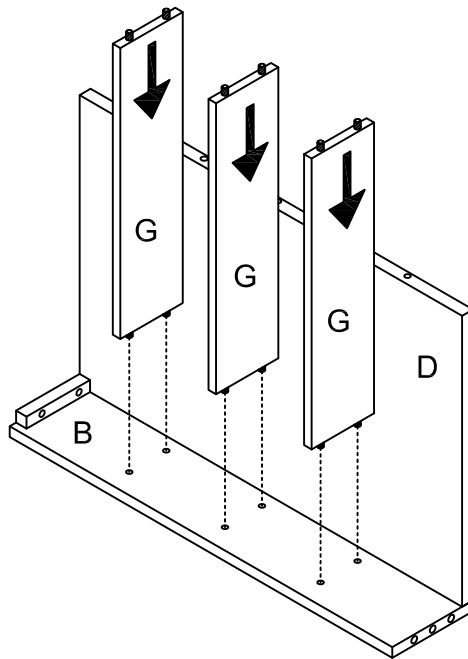
Step 1. Attach knob (part #8) to glass door (part F) using round head bolt (part #9) and phillips head screwdriver. Attach door hinges (part #6) to glass door (part F) using screws (part #7) and phillips head screwdriver.



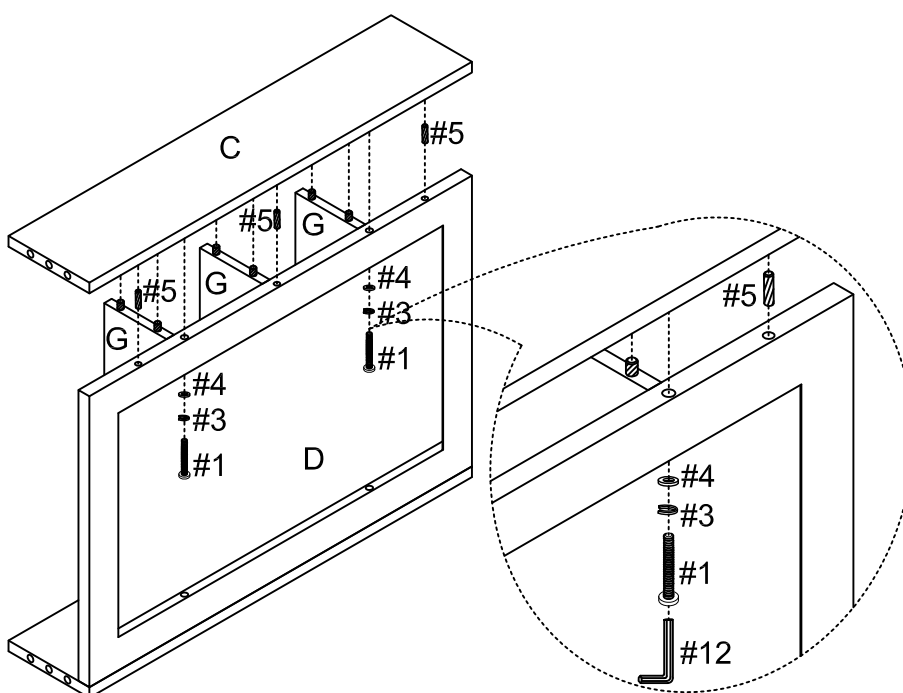
Step 2. Attach back panel (part D) to left panel (part B) using wood dowels (part #5), long bolts (part #1), spring washers (part #3), flat washers (part #4) and allen wrench (part #12).








Step 3. Slide fixed shelves (part G) to left panel (part B).

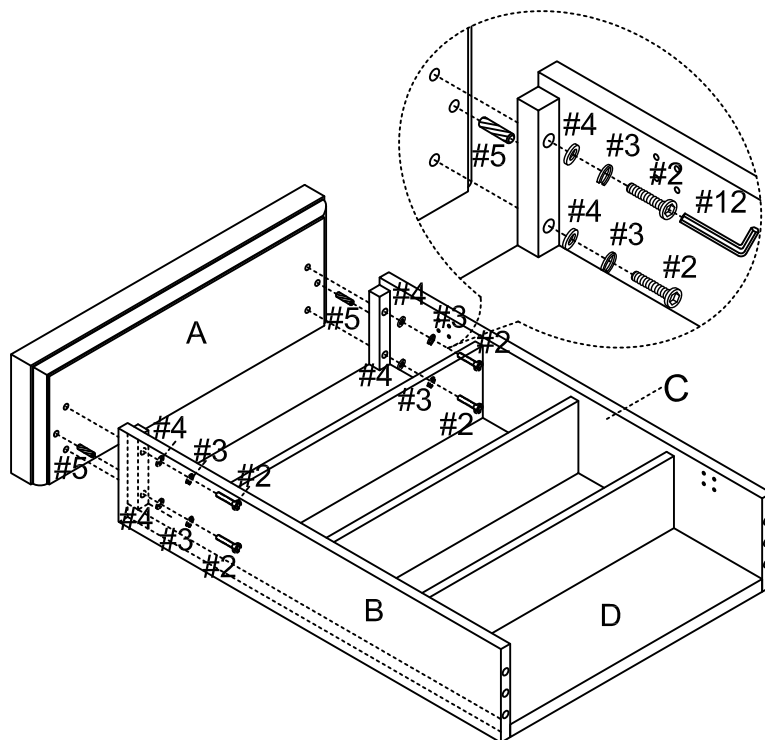







Step 4. Attach right panel (part C) to back panel (part D) and fixed shelves (part G) using wood dowels (part #5), long bolts (part #1), spring washers (part #3), flat washers (part #4) and allen wrench (part #12).



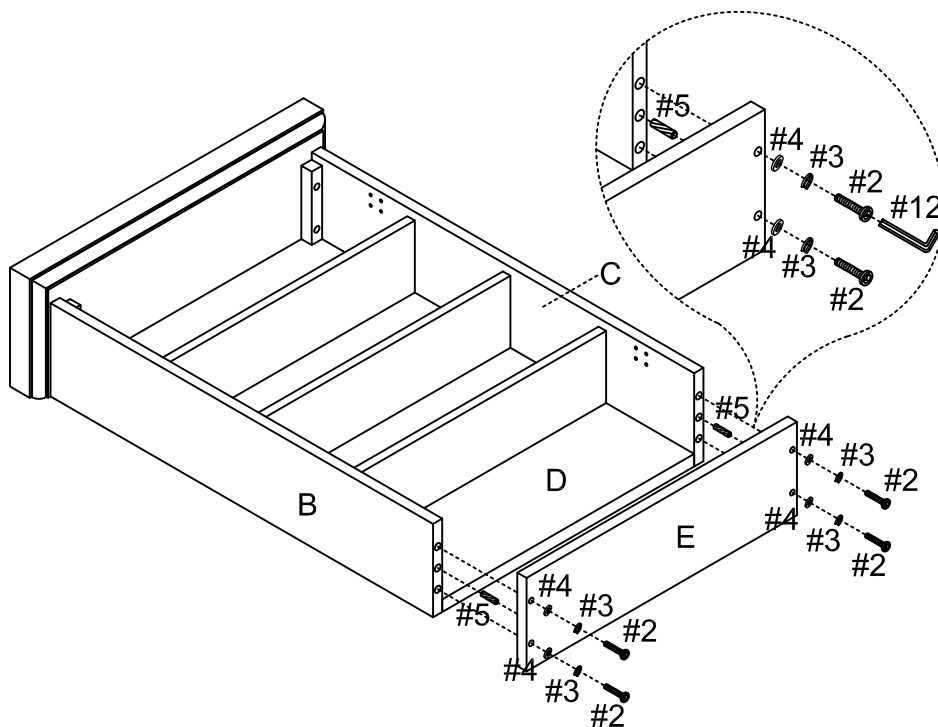
- #1  X2
- #3  X2
- #4  X2
- #5  X3
- #12  X1






Step 5. Attach top panel (part A) to assembled unit (parts B, C & D) using wood dowels (part #5), short bolts (part #2), spring washers (part #3), flat washers (part #4) and allen wrench (part #12).



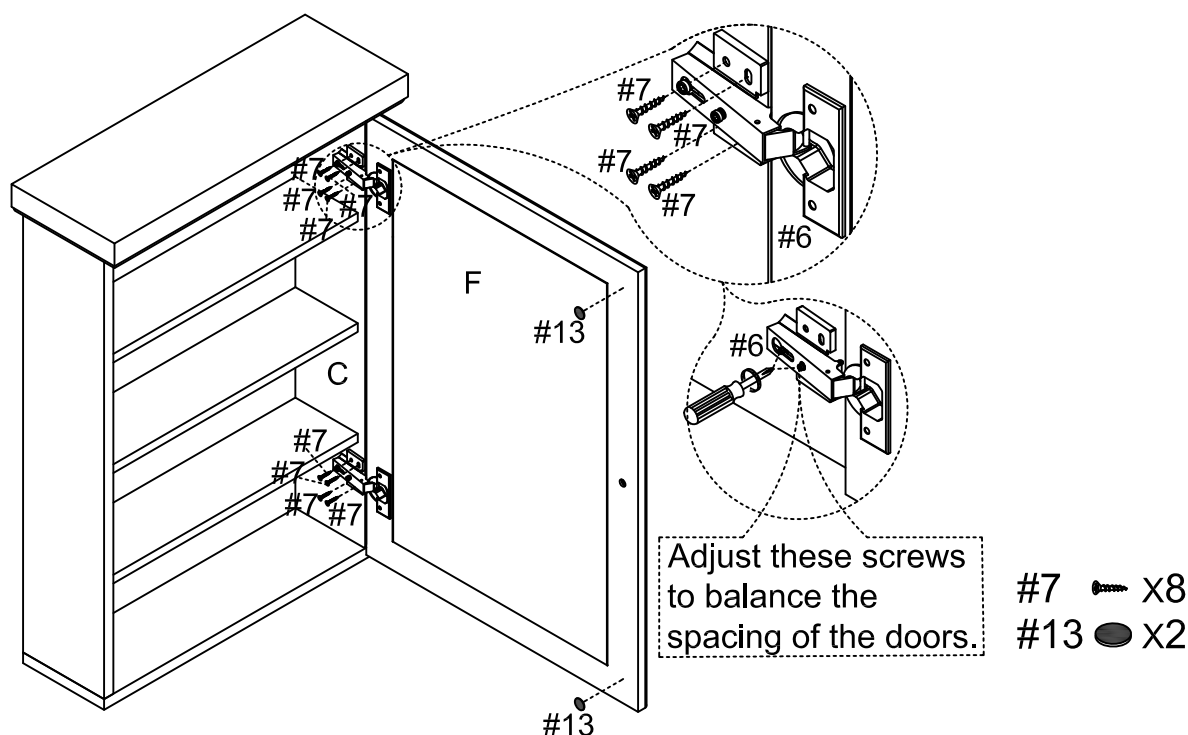
- #2  X4
- #3  X4
- #4  X4
- #5  X2
- #12  X1

Step 6. Attach bottom panel (part E) to assembled unit (parts B, C & D) using wood dowels (part #5), short bolts (part #2), spring washers (part #3), flat washers (part #4) and allen wrench (part #12).

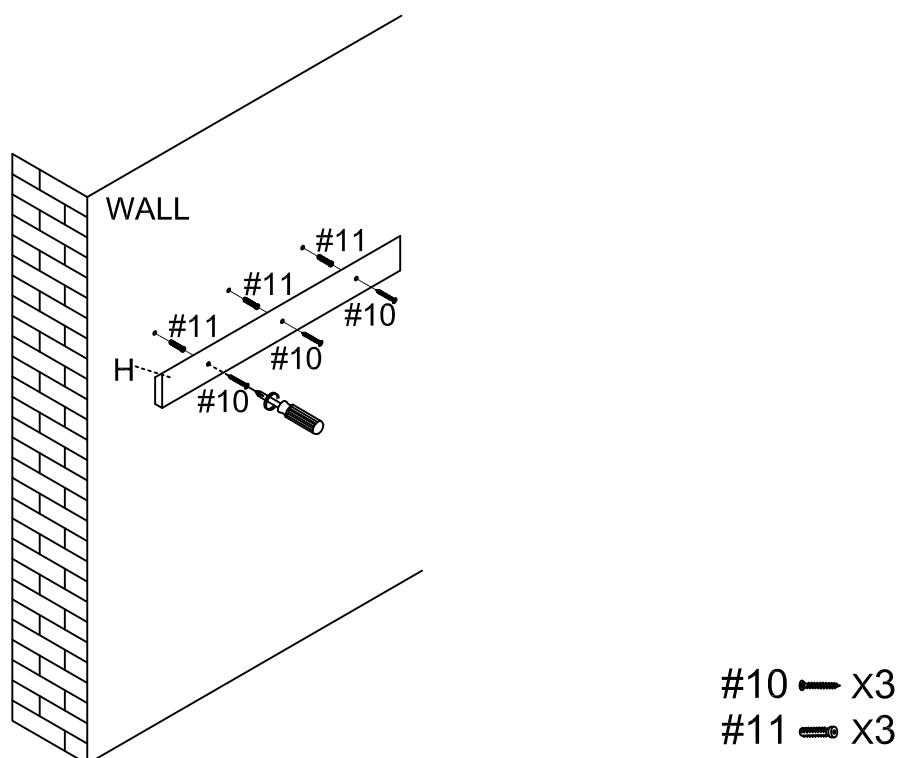


- #2  X4
- #3  X4
- #4  X4
- #5  X2
- #12  X1

Step 7. Attach glass door (part F) to right panel (part C) using screws (part #7) and phillips head screwdriver. Attach adhesive pads (part #13) into glass door (part F).



Step 8. Drill three 11/32" holes in the wall and tap wall anchors (part #11) into the drilled holes. Secure support plate (part H) to wall anchors (part #11) using long screws (part #10) and phillips head screwdriver.



Step 9. Hang back panel (part D) on support plate (part H).

