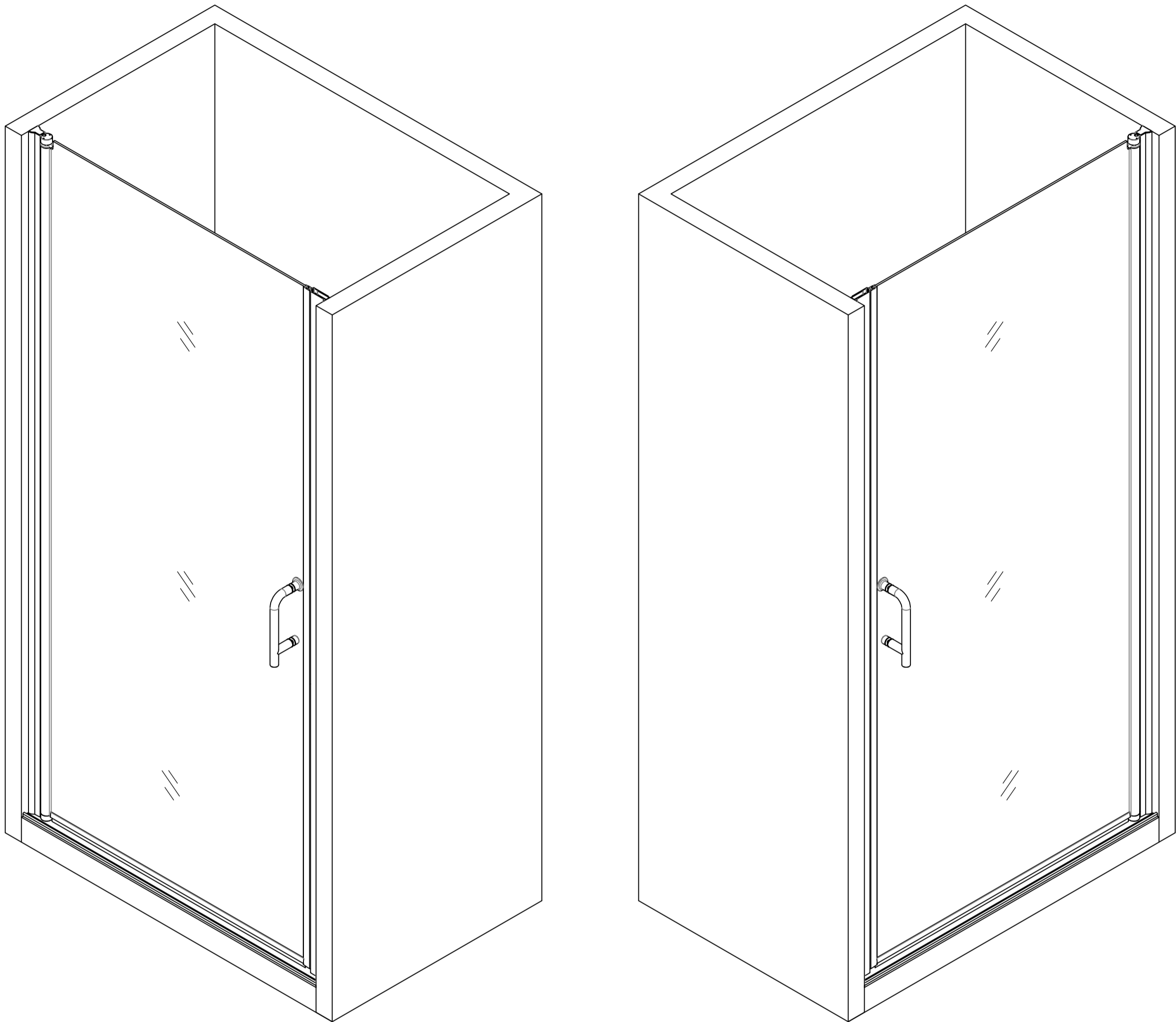


Shower Door Installation Instructions

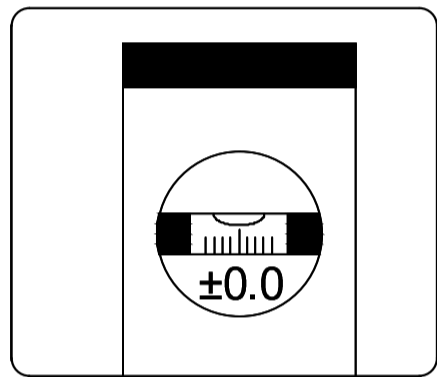


Reversible For a Left or Right Door

**Please Do Not Return the Product to the Store.
Contact us with any questions.**

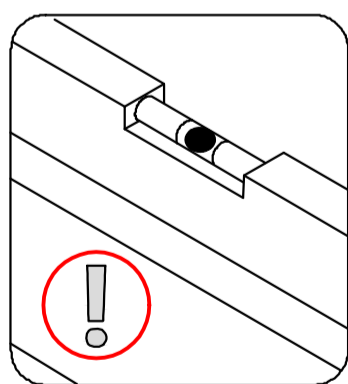
Model Specific Preparation

 **REQUIRED:**

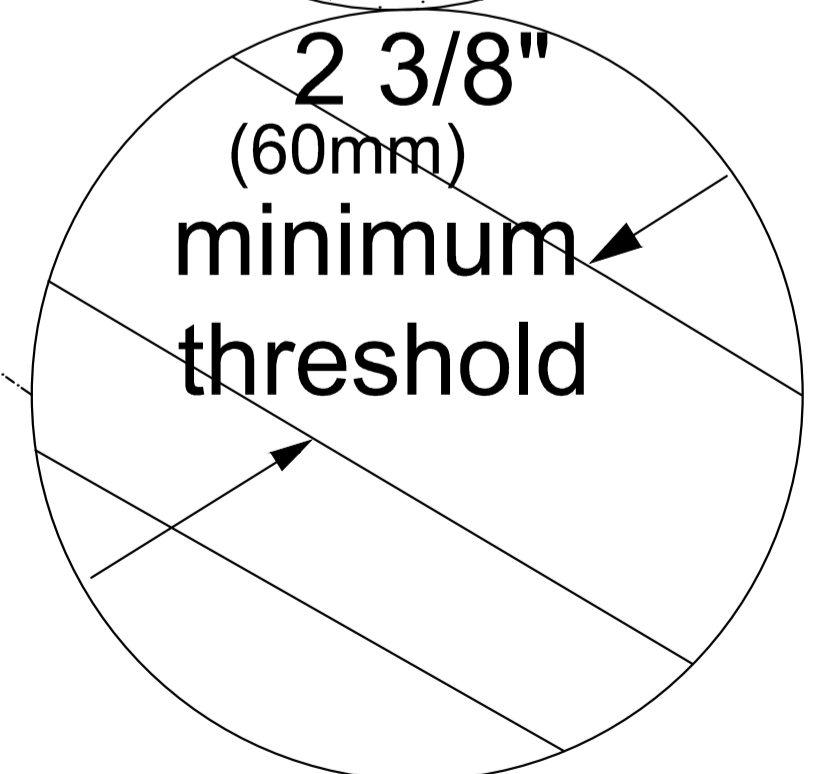
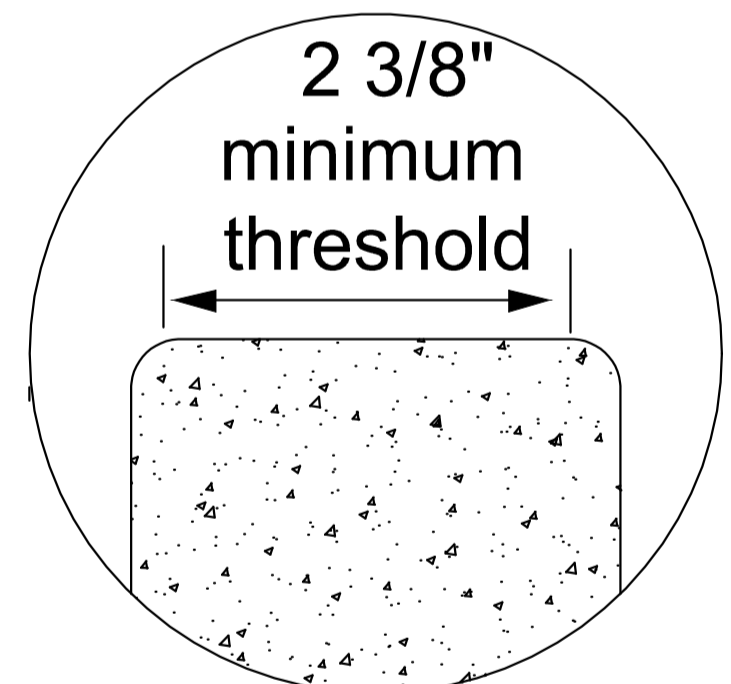
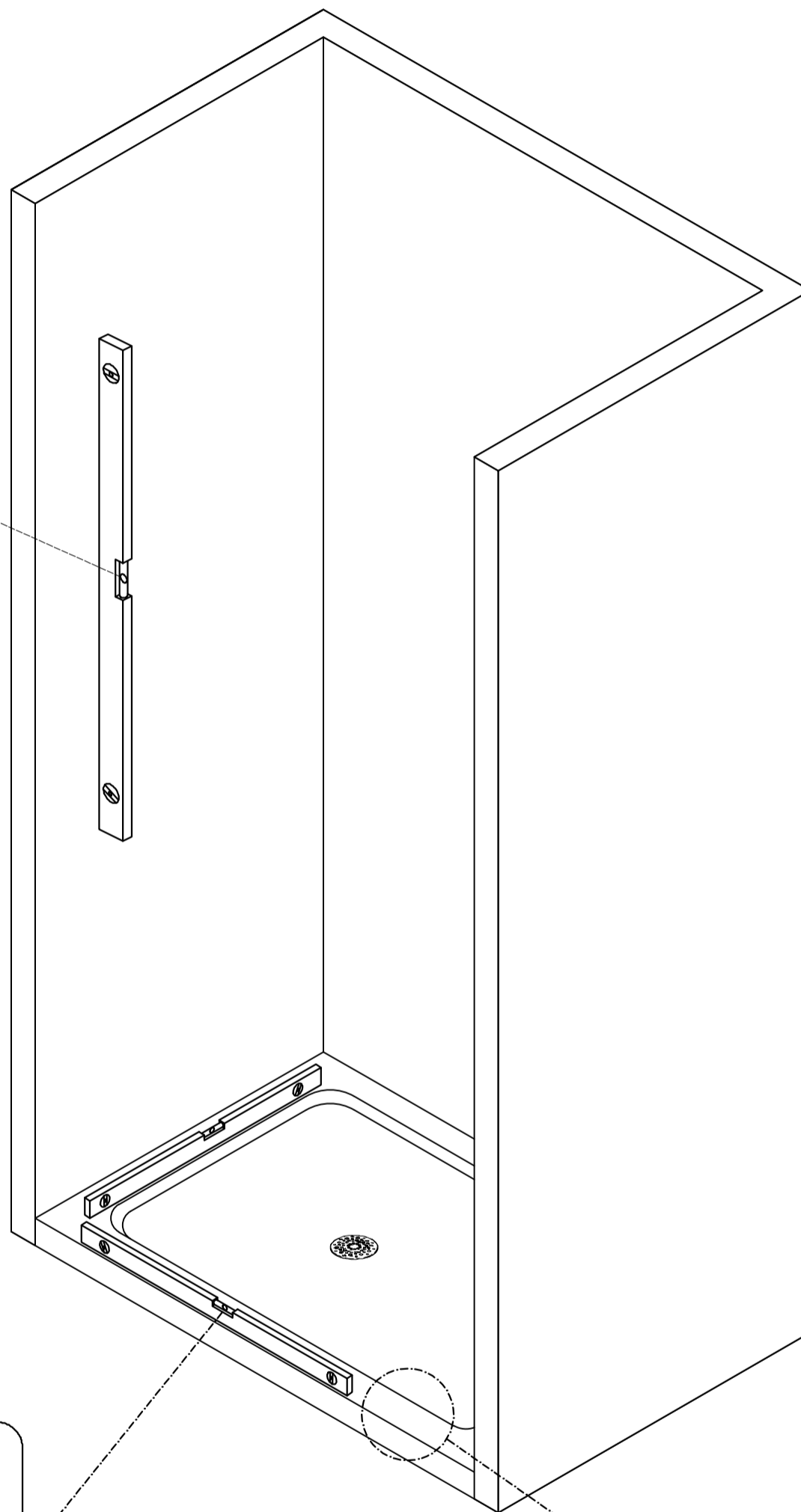


Installation wall
must be plumb

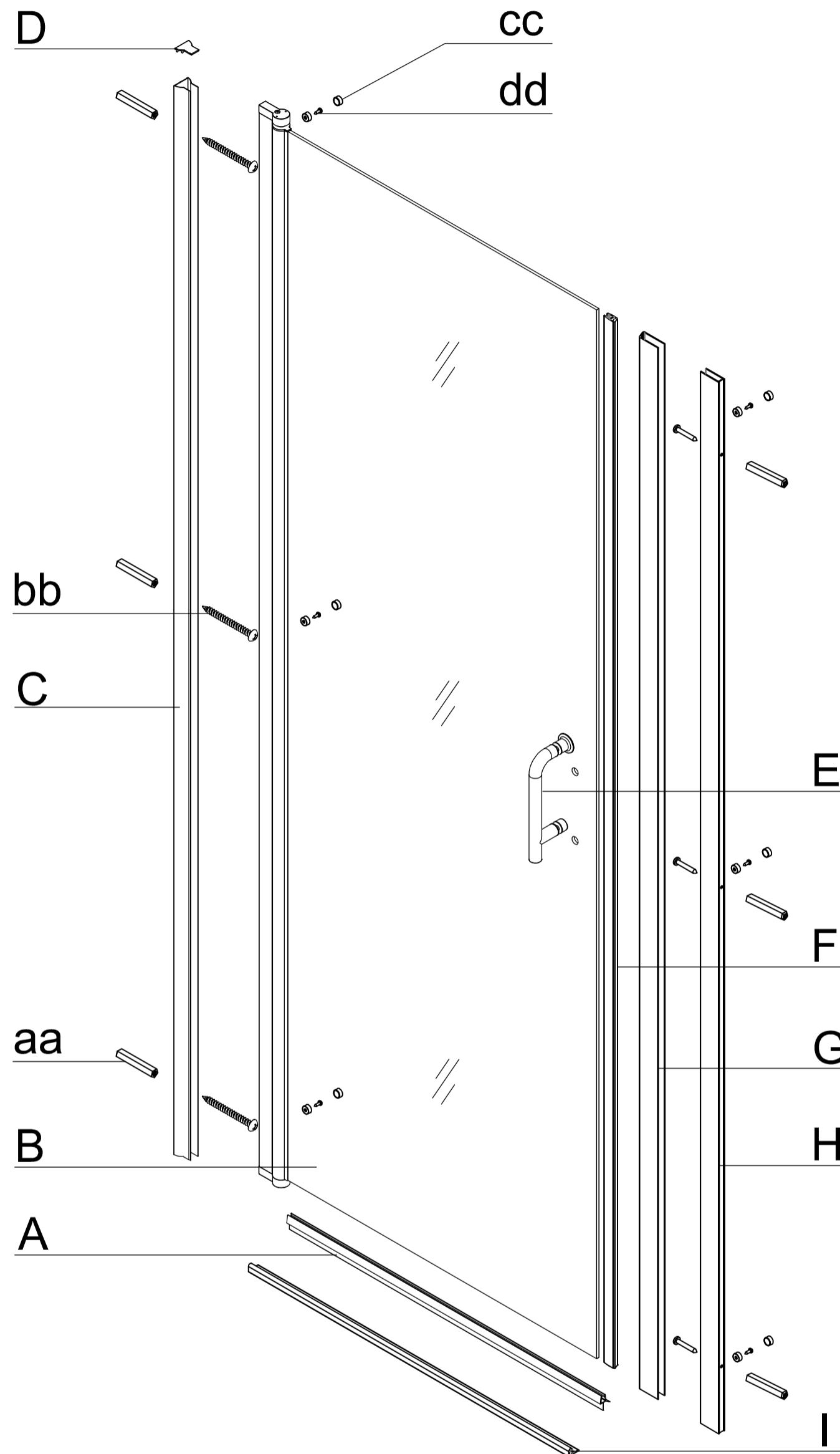
3/8" (10mm)
Out-of-Plumb
Adjustment within
the Wall Profile;
Verify threshold and
walls with a level.



Threshold must be level



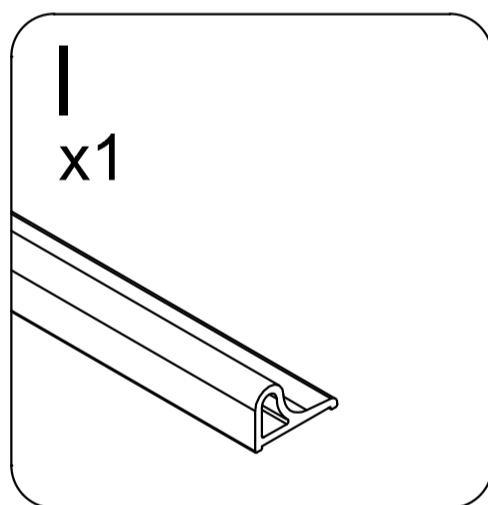
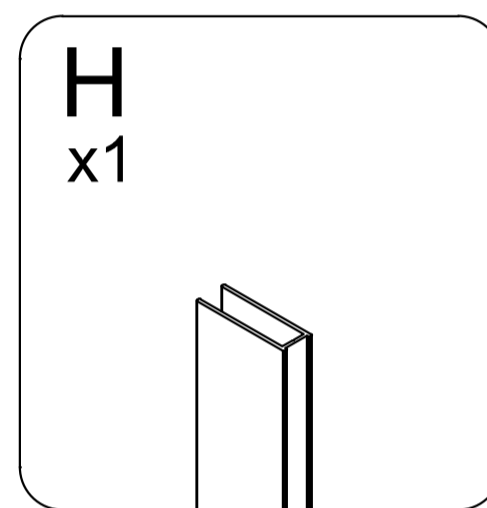
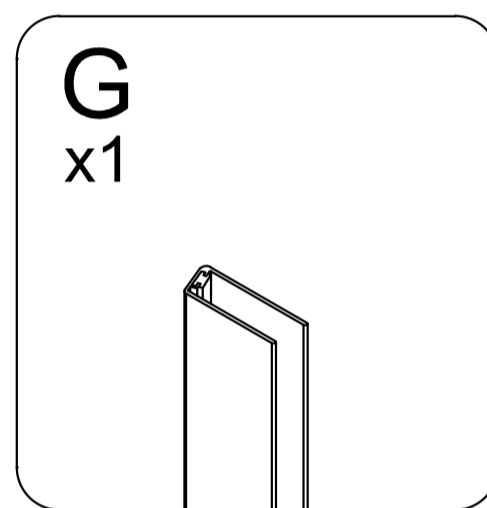
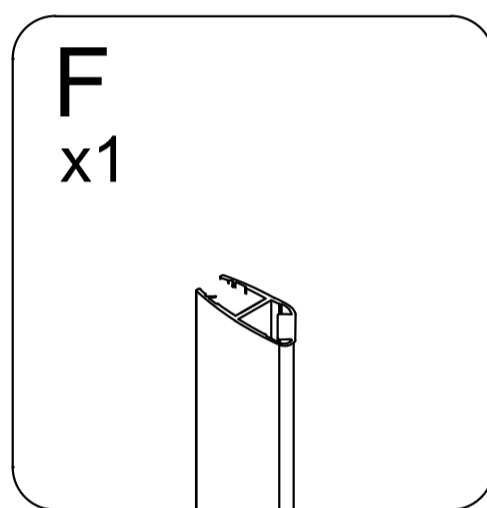
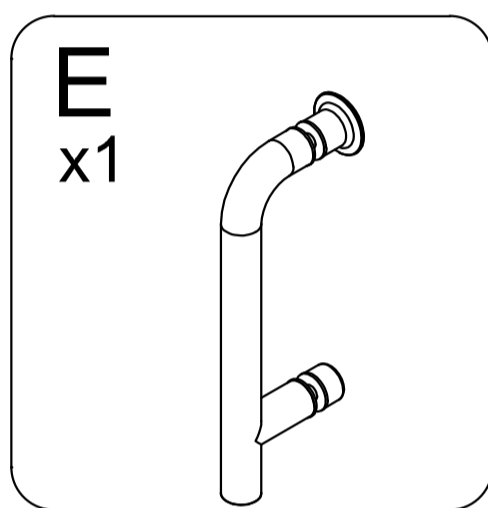
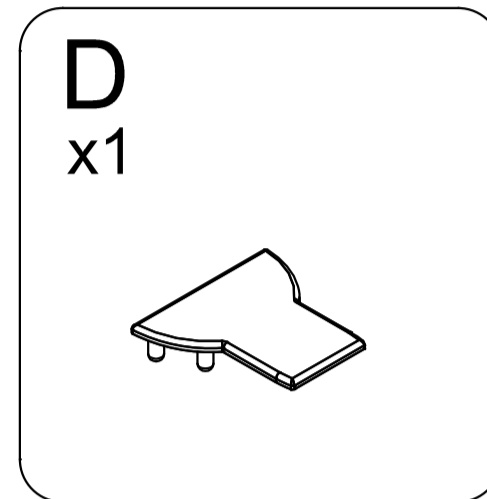
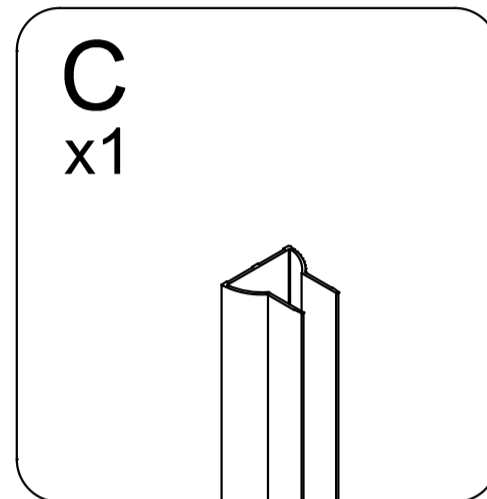
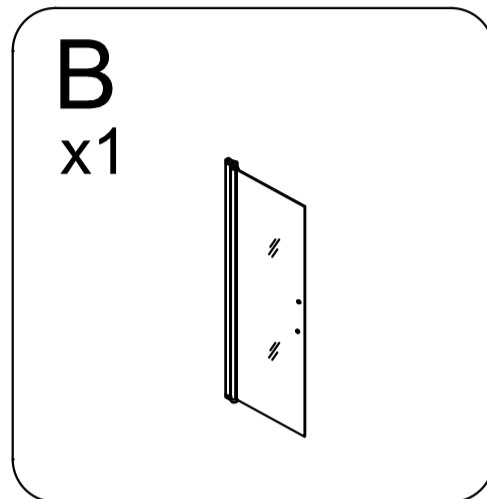
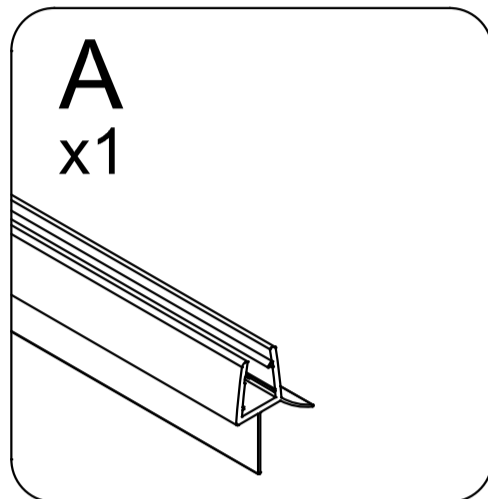
PACKAGE CONTENT



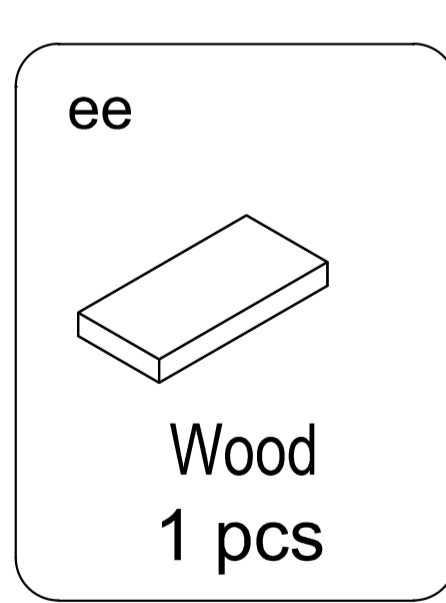
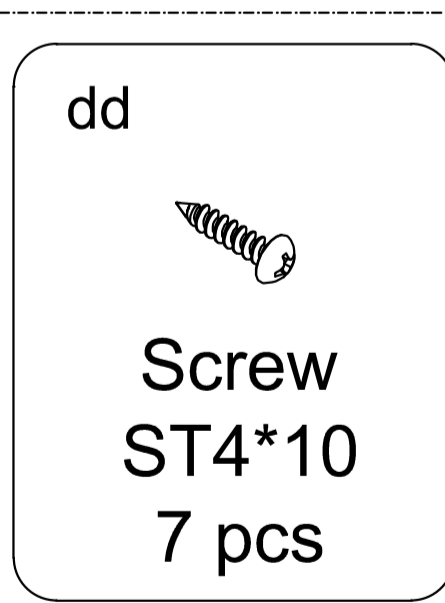
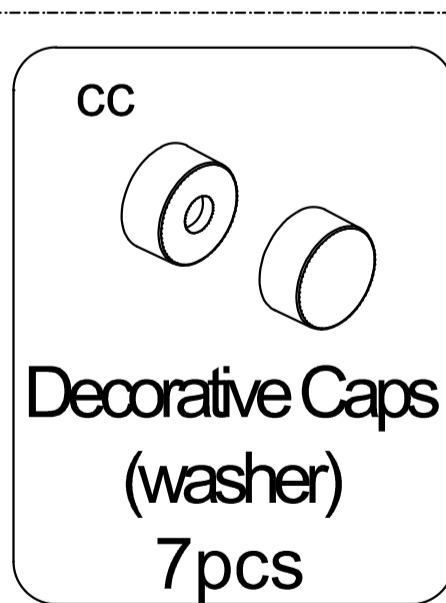
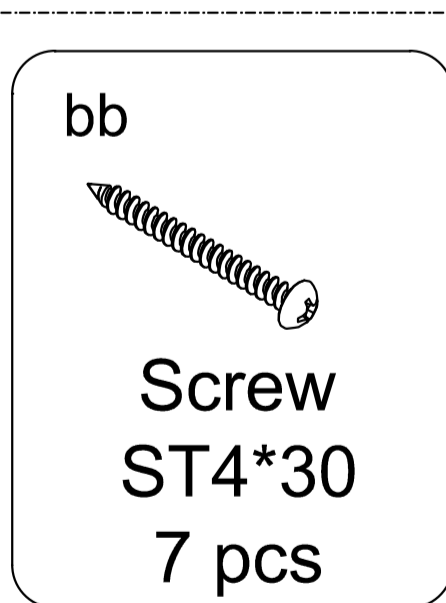
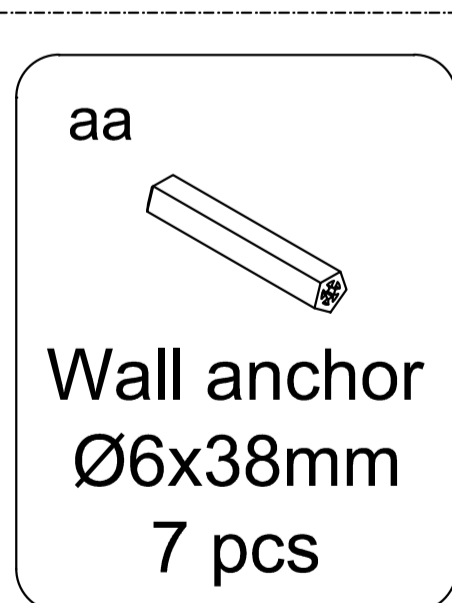
PACKAGE CONTENT

PART#	DESCRIPTION	QTY	PART#	DESCRIPTION	QTY
A	Bottom Gasket	1	F	Magnetic strip	1
B	Door panel	1	G	Magnetic Seal Aluminum channel	1
C	Wall Jamb	1	H	U channel	1
D	Top Cover Cap	1	I	Alu. Threshold	1
E	Handle	1			

PACKAGE CONTENT



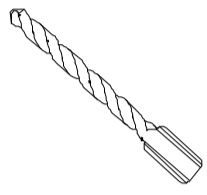
HARDWARE CONTENT



1 piece for each as spare part.

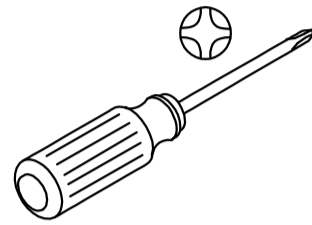
TOOLS REQUIRED

Drill Bits

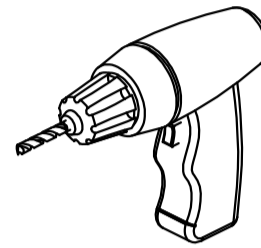


3.2/6mm dia.
HSS

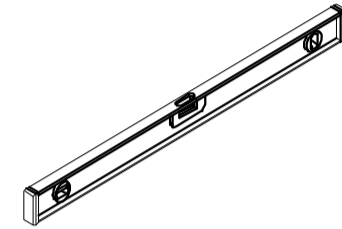
Screw Driver



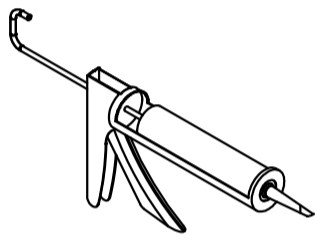
Drill



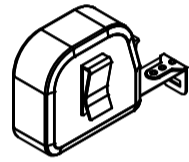
Level



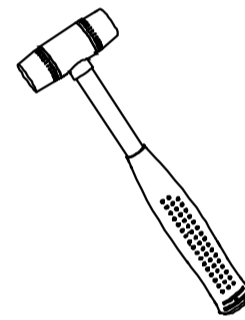
Silicone



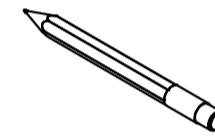
Measuring Tape



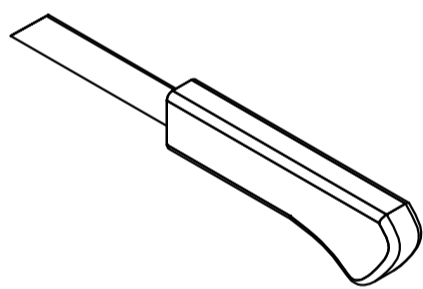
Soft Head Hammer



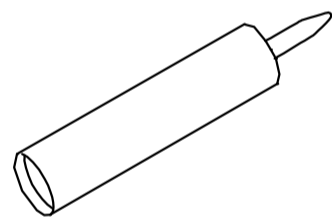
Pencil



Knife



Sealant



MASONRY DRILL
BIT FOR TILE
Ø6mm



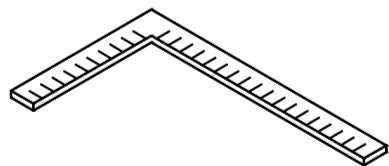
Safety Glasses



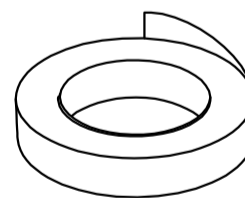
Glove



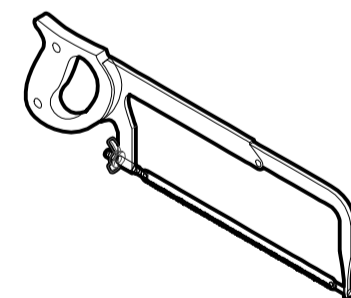
Carpenter's Squarer



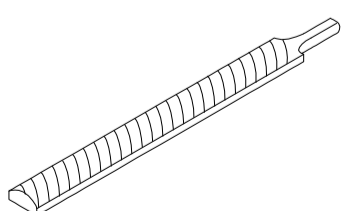
Masking or painter's
tape



Hack Saw



Metal File



SAFETY INFORMATION

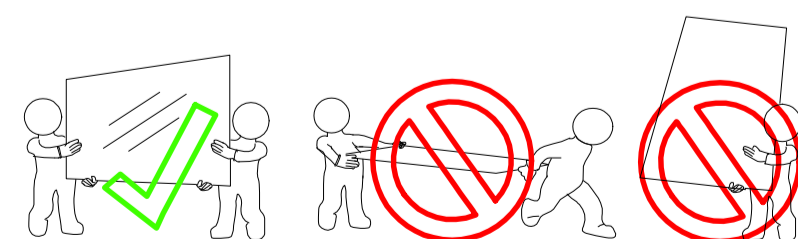
CAUTION

Please carefully read the following important safety information before handling or installing this shower. There is a risk of serious injury while handling this product.

To minimize these risks, please note:

- Always wear safety glasses and gloves while handling.
- Always follow the installation instructions.
- Inspect glass for damage before installation.
- Extreme caution should be taken while handling the glass during installation as the tempered glass may shatter if in contact with a hard surface.
- Do not cut or modify the tempered glass as it will shatter if cut.
- Carefully remove product from packaging and keep packaging until installation is complete.
- Inspect all parts for damage or missing; if there is damage or part missing to the unit prior to installation, please contact customer service at the number provided in this guide.
- Cover the drain with tape to prevent the loss of small parts.
- The shower base and finished walls should be installed before beginning the shower door installation.
- During the installation, protect the shower floor with a drop cloth to avoid damage.
- This product should be installed by two people who are familiar with construction requirements. Professional installation is recommended!
- Keep this installation manual for future reference.

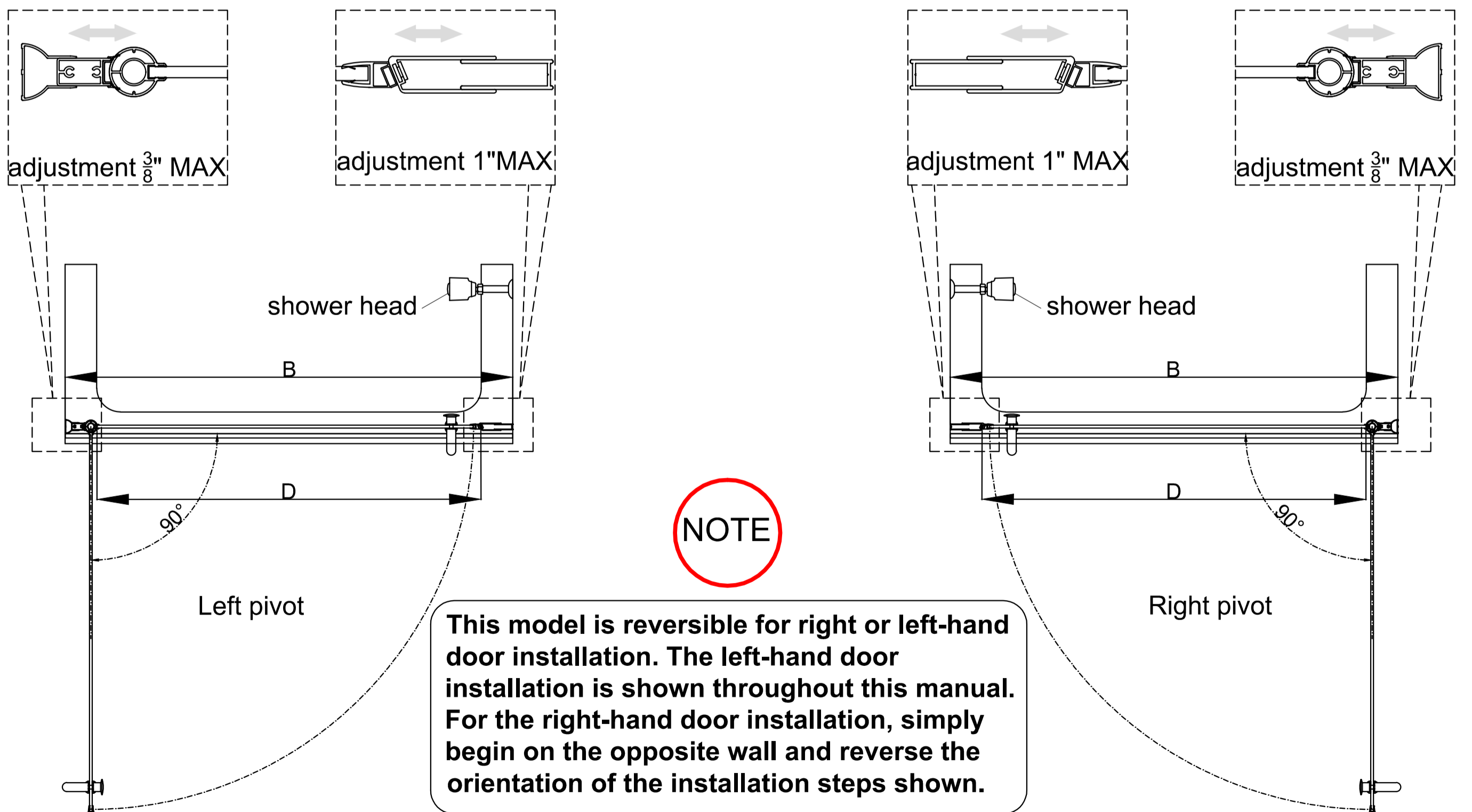
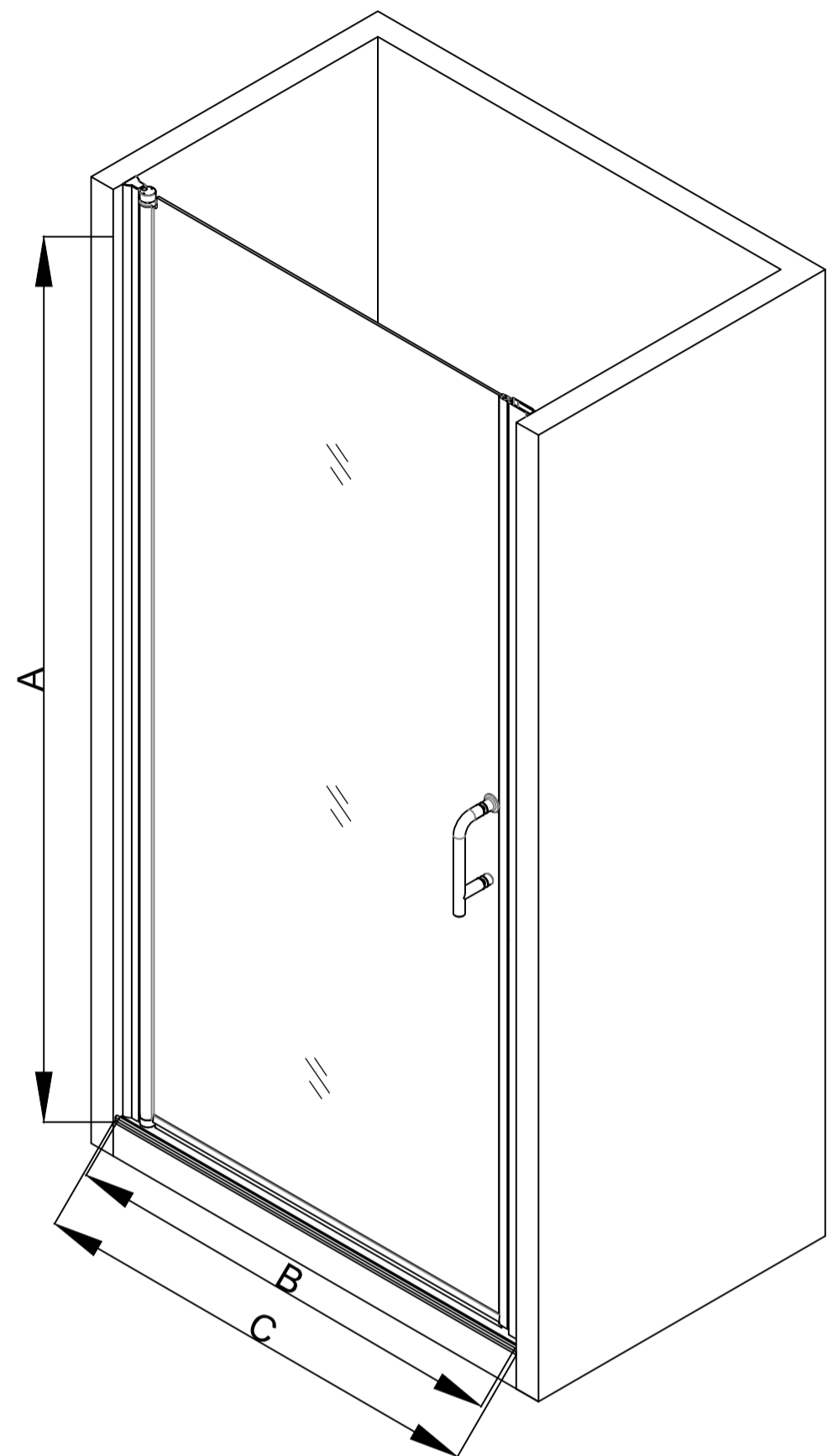
NOTE: Two people should perform this installation.



Model Dimensions

configuration dimensions:

A Product Height	B Model width	C Installation width	D (Opening)
72"	30"	30" ~31 3/8"	25 19/32"
	32"	32" ~33 3/8"	27 19/32"
	34"	34" ~35 3/8"	29 19/32"
	36"	36" ~37 3/8"	31 19/32"

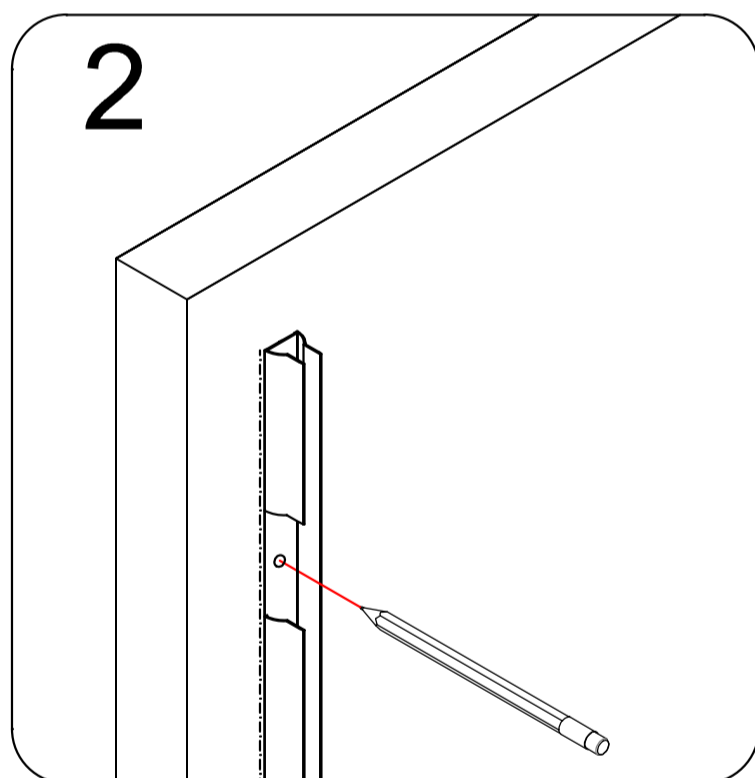
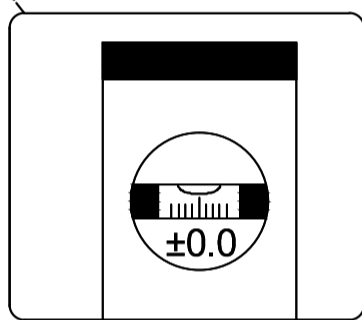
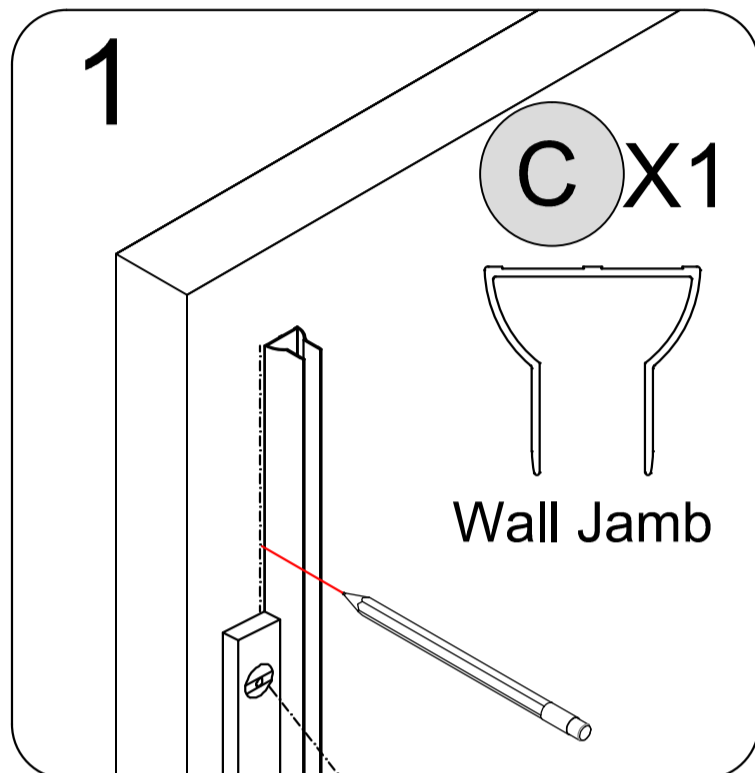


1-1

Wall Jamb Installation

NOTE

Confirm the Wall jamb is plumb with a level before marking the location of the holes for drilling.



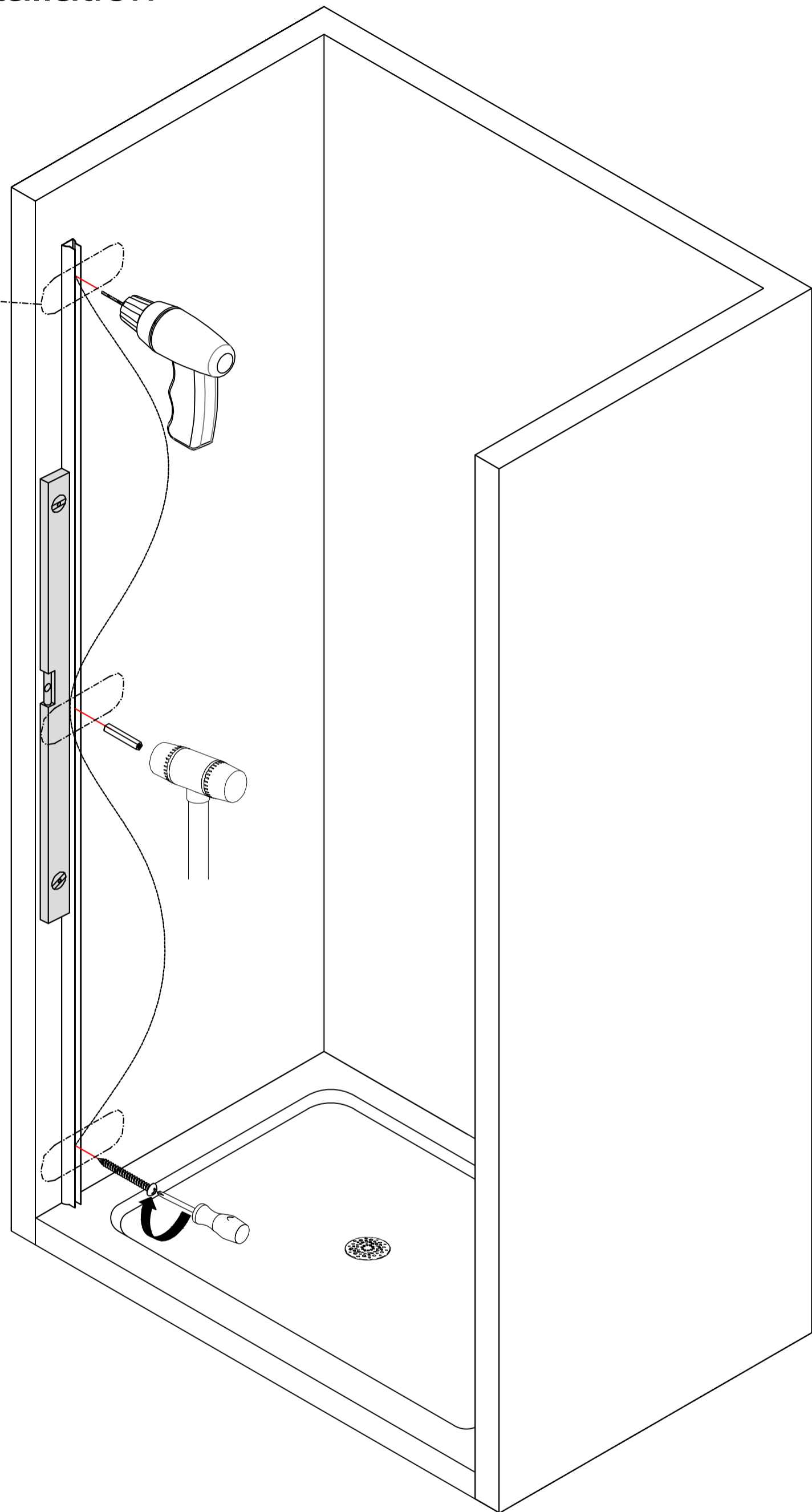
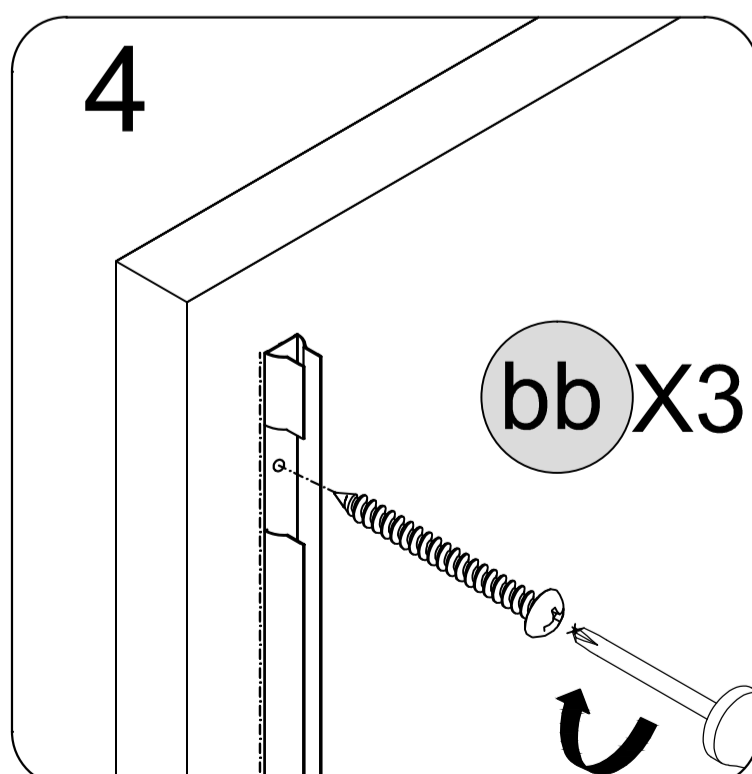
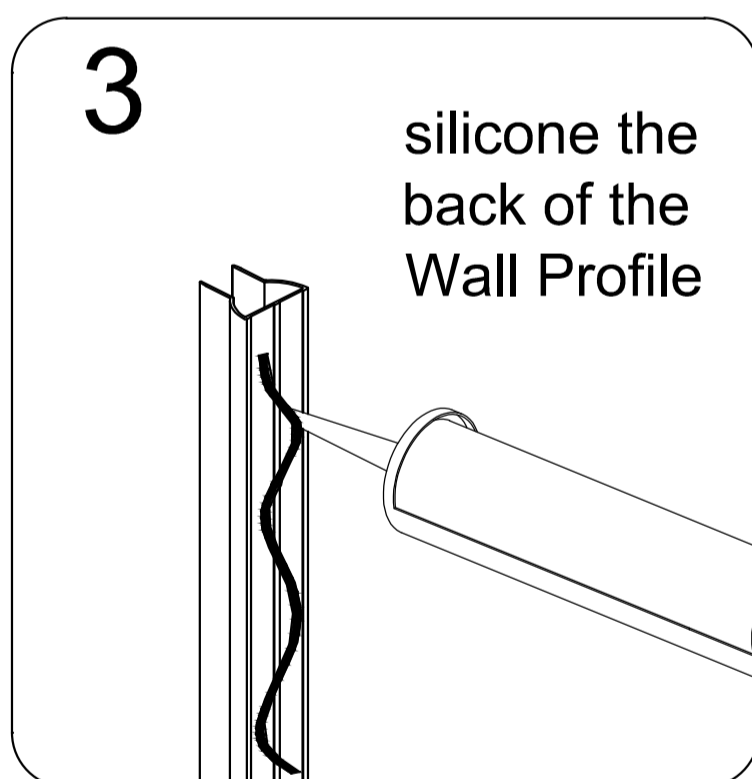
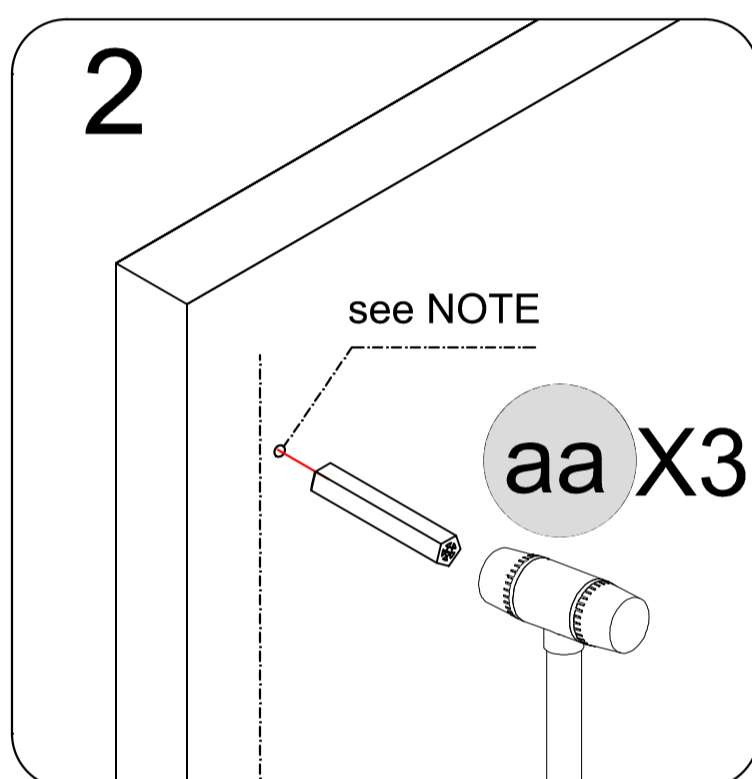
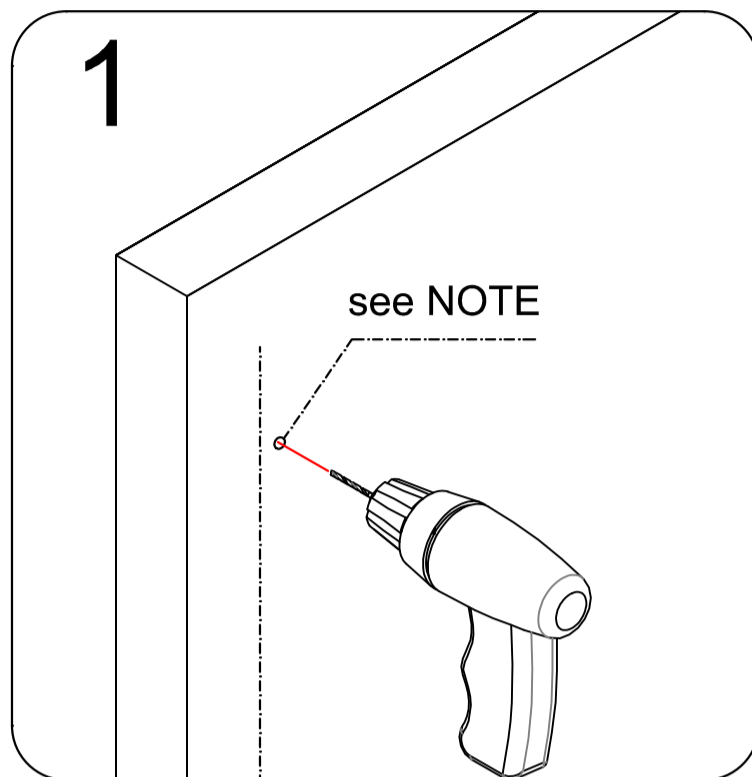
20mm [25/32"]

NOTE

Center the Wall jamb (C) on the Threshold.
Leave 20mm [25/32"] from edge of shower pan.

1-2

Wall Jamb Installation

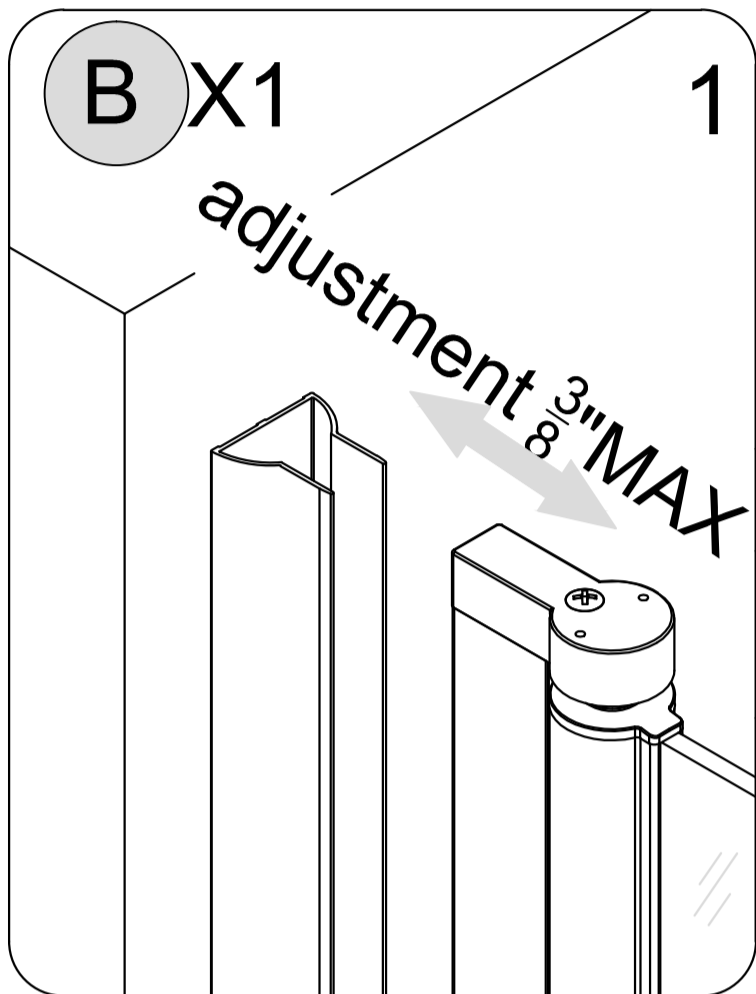


NOTE

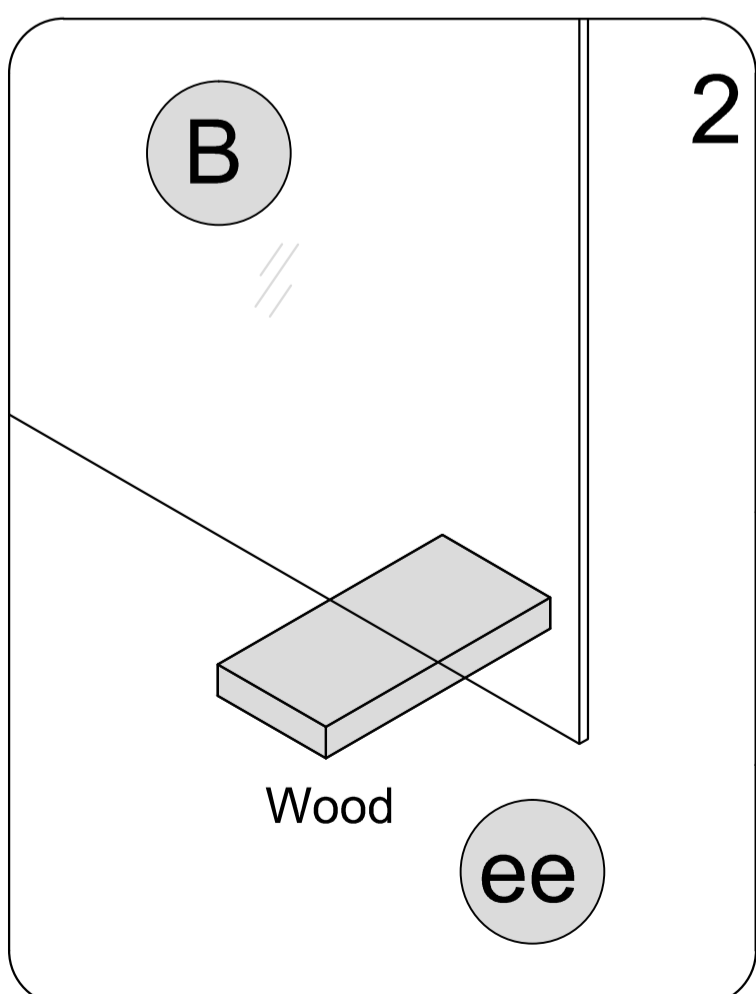
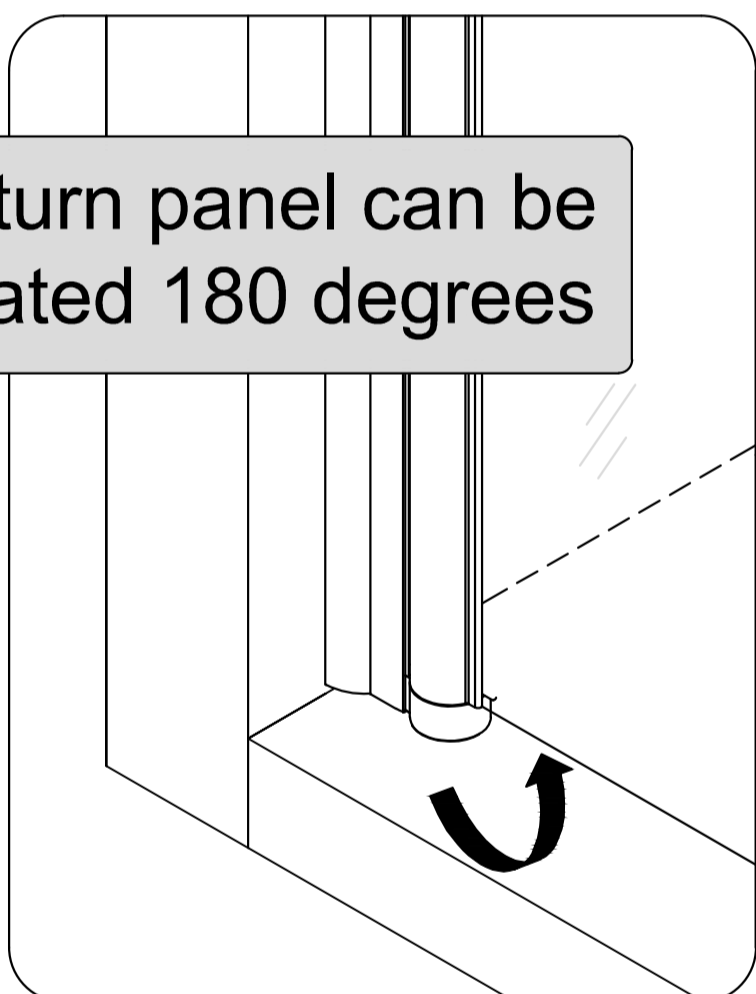
- If a Stud is present behind the wall:
drill a $\text{Ø}3/16''$ (4mm) hole up to the stud,
drill an $\text{Ø}1/8''$ (3mm) pilot hole into the stud and
use the ST4.0 x 30mm Pan Head Screws (bb)
OR
- If No Stud is present behind the wall:
drill a $\text{Ø}1/4''$ (6mm) hole and insert the Wall Anchors (aa)
and use the ST4.0 x 30mm Pan Head Screws (bb).

2 Door panel Installation

NOTE
The Door panel Profiles can be adjusted up to 3/8" within the Wall Jamb for overall width or to correct for out-of-plumb conditions within the model size. Screw them together after making final adjustments.



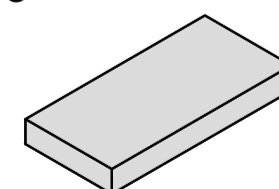
Return panel can be rotated 180 degrees



Place wood shim(ee) onto the threshold to provide proper spacing beneath the door glass.

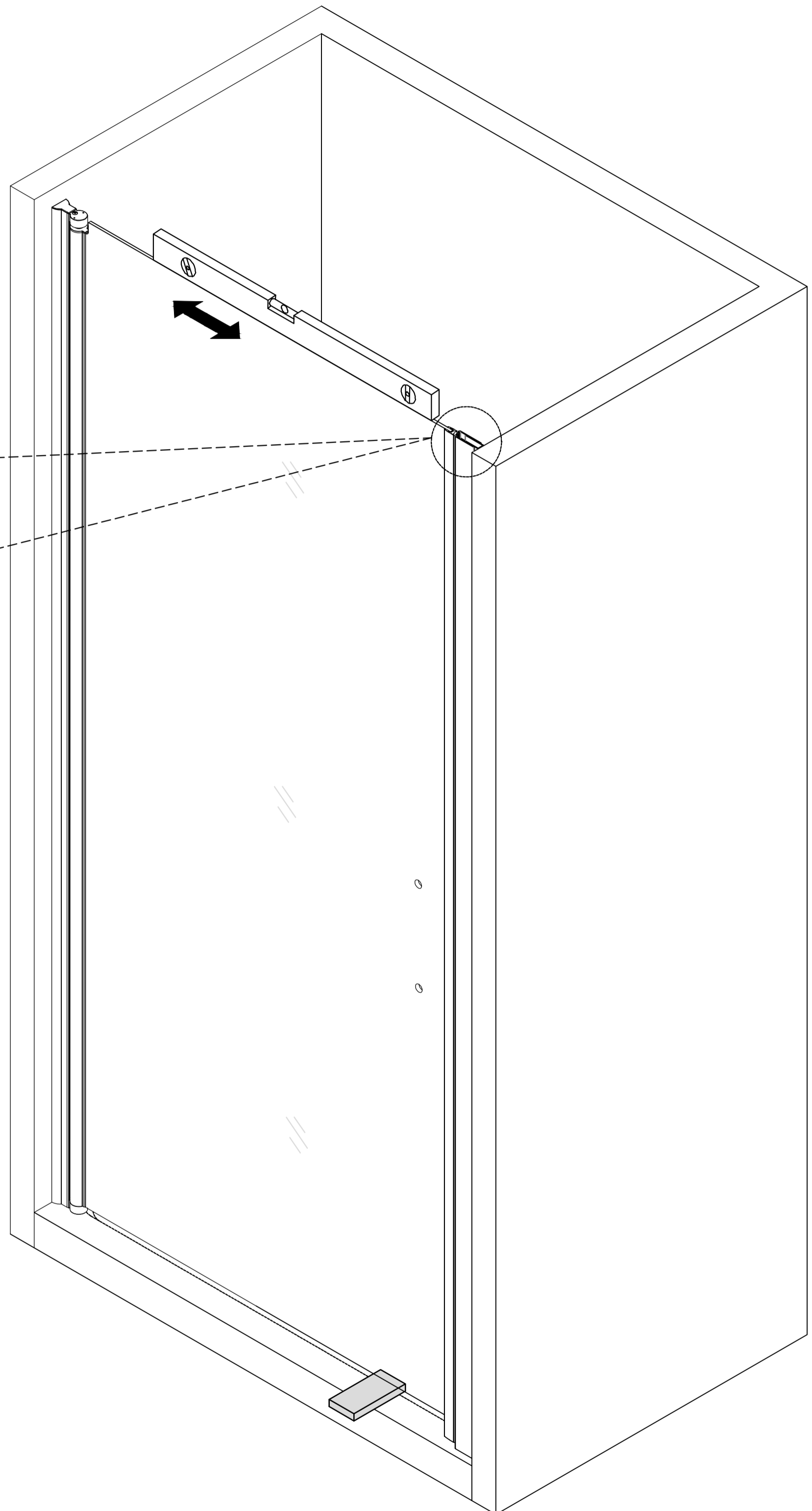
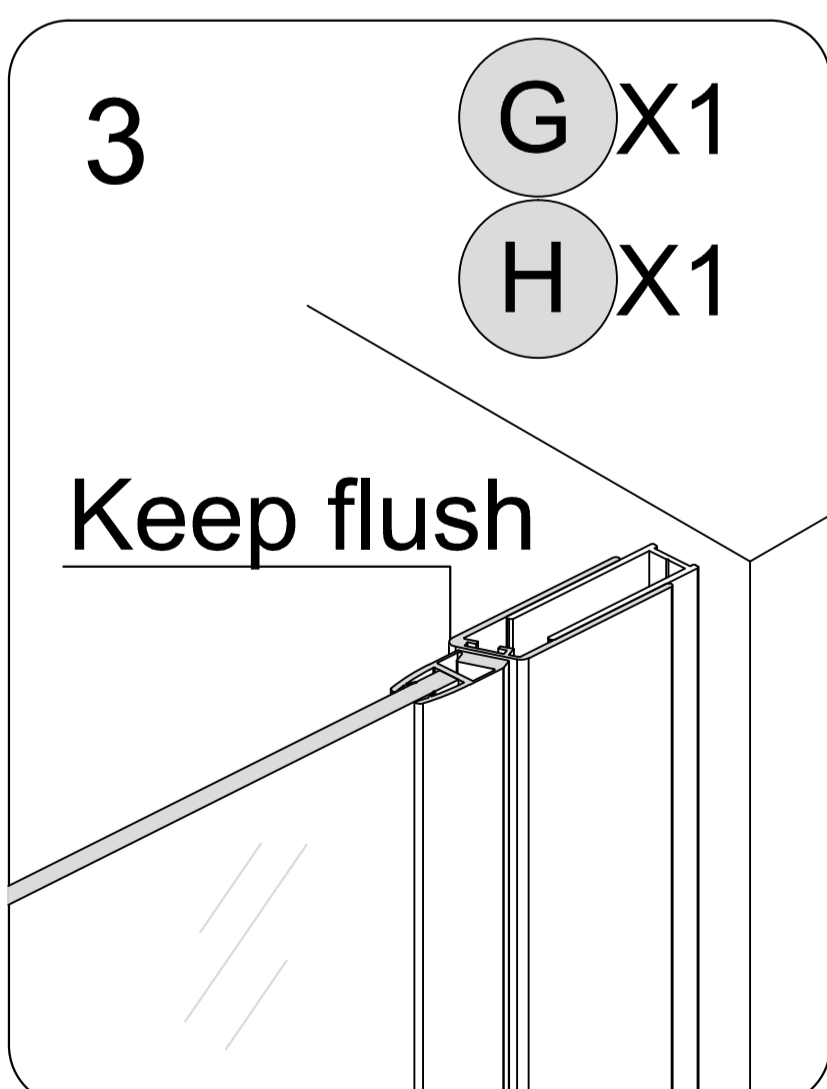
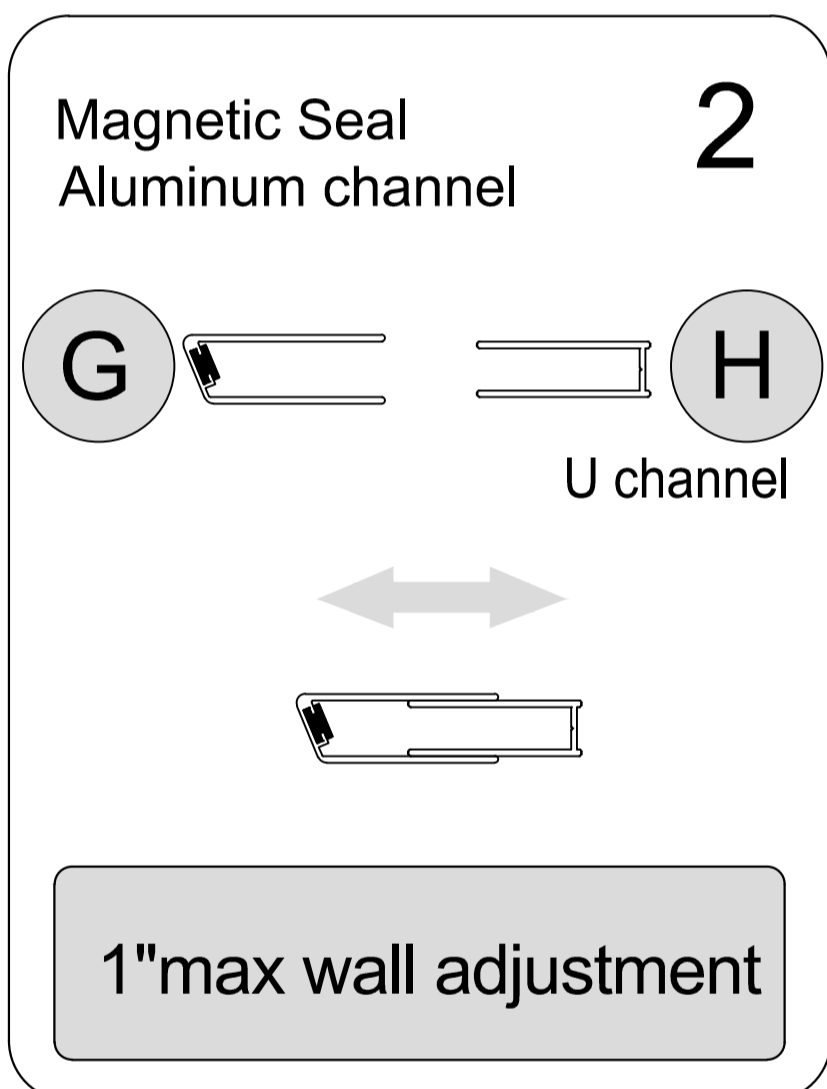
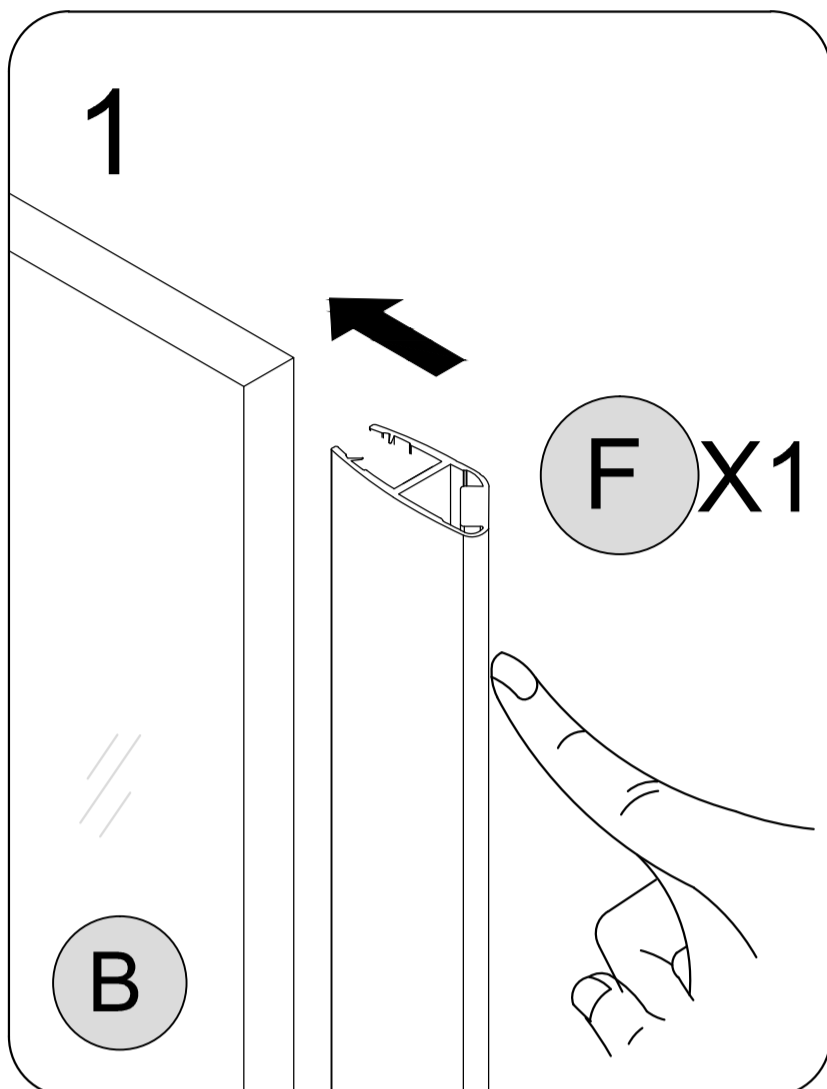
NOTE

Make any final adjustments to the door so that it is level and plumb in the opening.



3

Magnetic strip Install to door panel



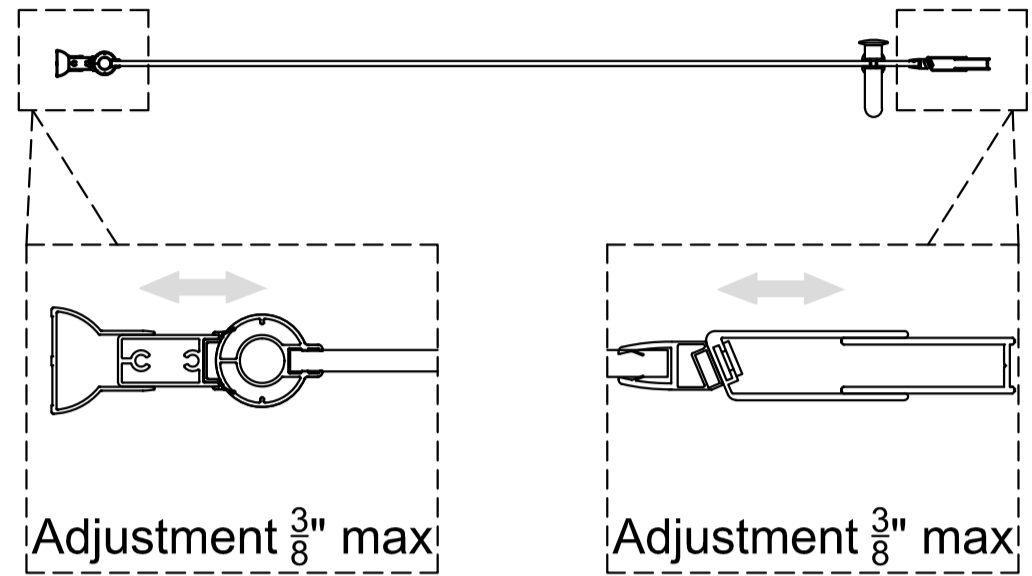
NOTE

- 1、 Magnetic strip Install to door panel.
- 2、 Put F,G,H together before fasten the glass door,make all these parts keep flush.

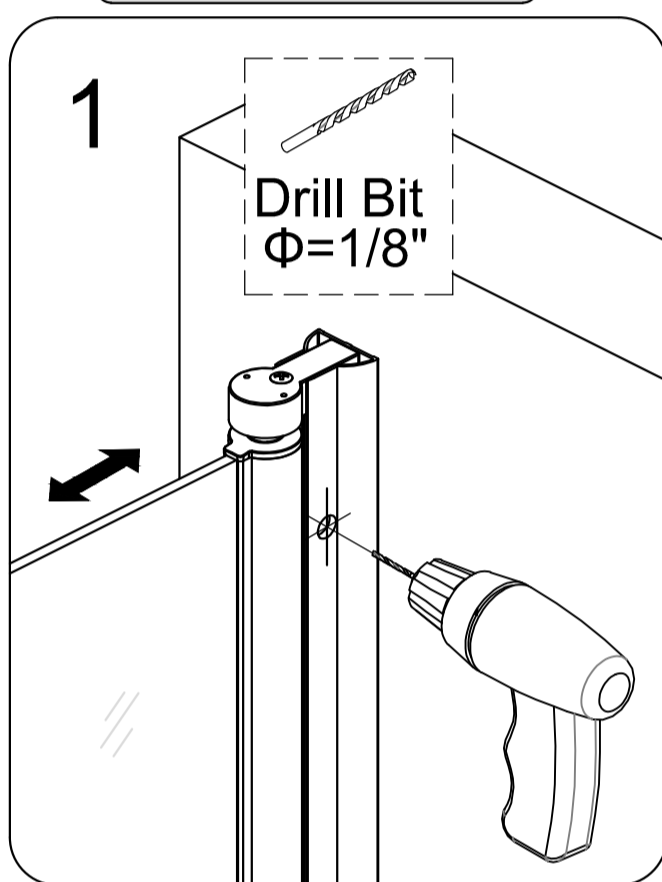
4 Fasten the door panel

NOTE

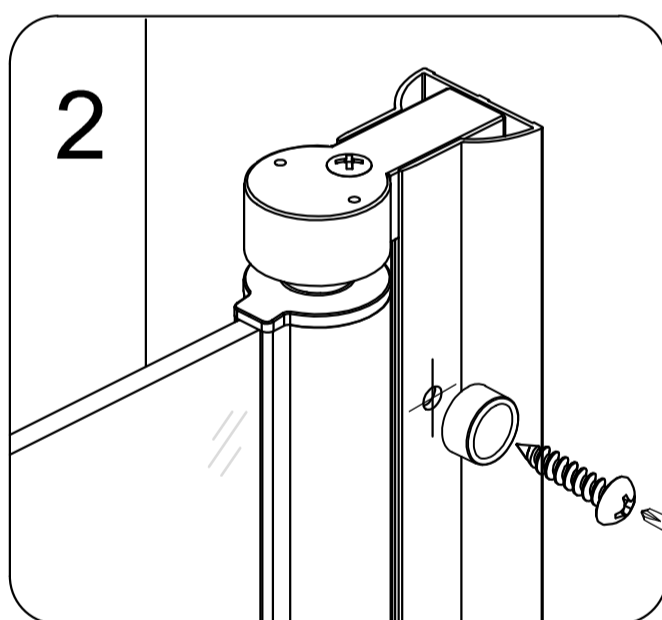
After final adjustments, drill $\text{\O}1/8''$ holes in the Wall Jamp (C).
Drill only through the first layer of the Door panel Profile and install the ST4.0x10mm Pan Head Screws (dd) using the Decorative Covers and Washers (cc)



Inside View

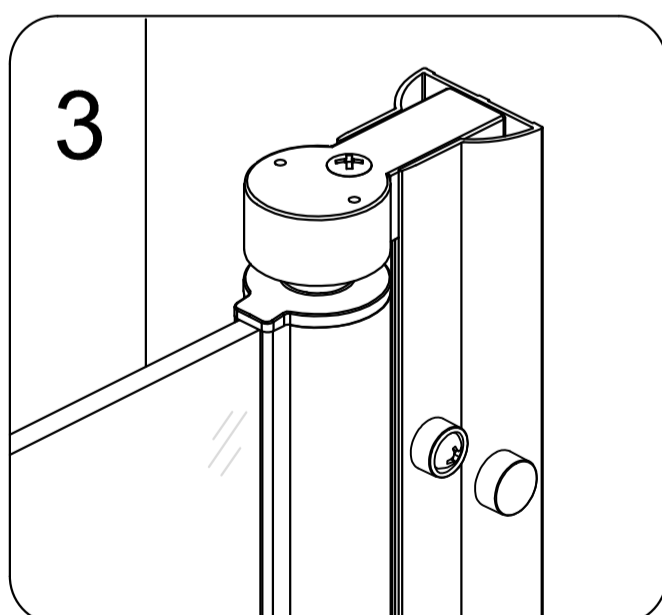


Keep flush



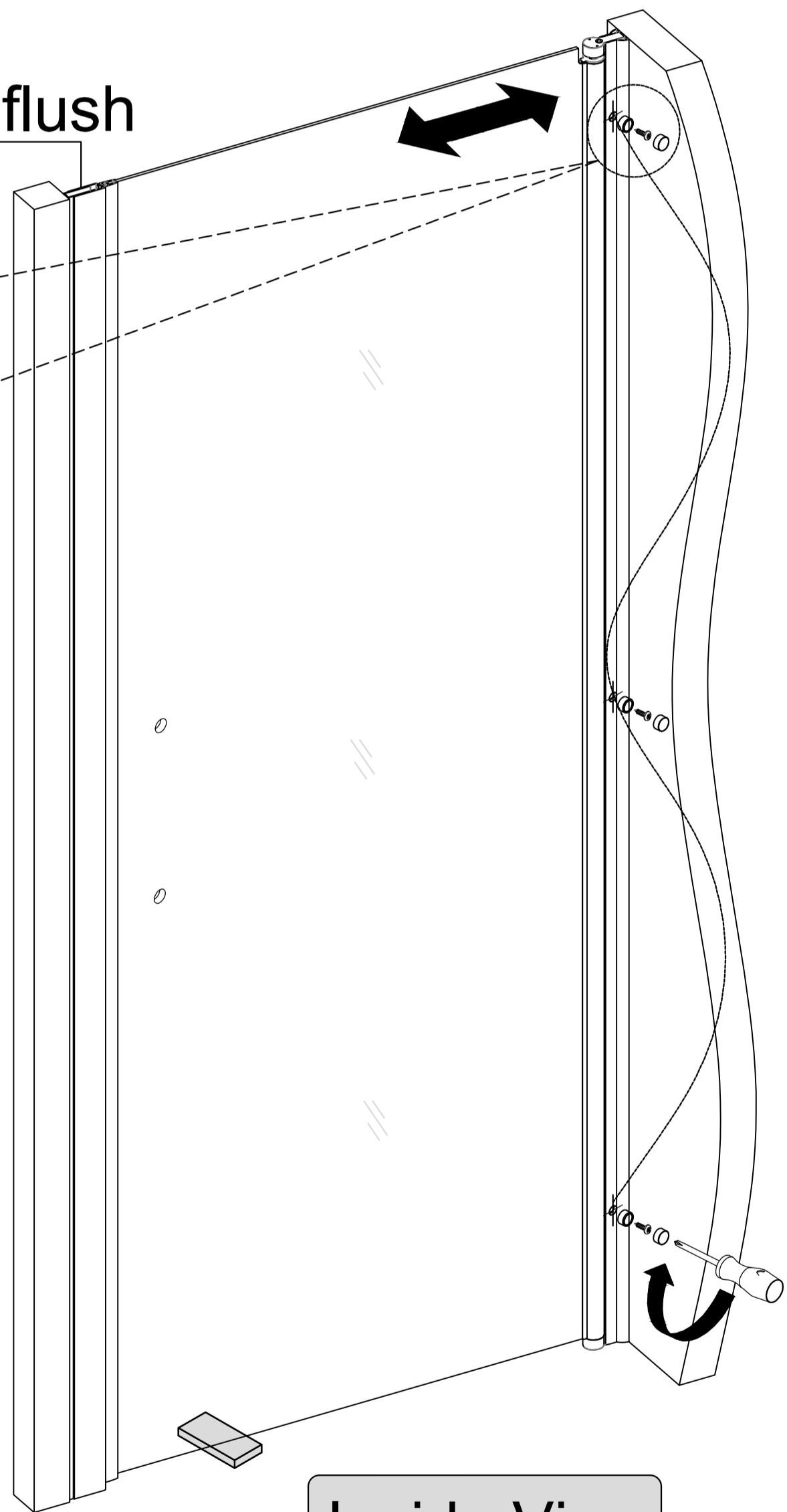
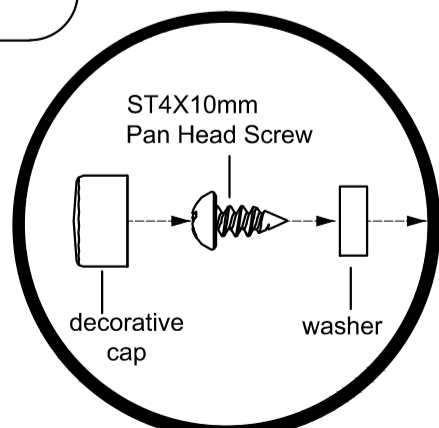
cc X3

dd X3



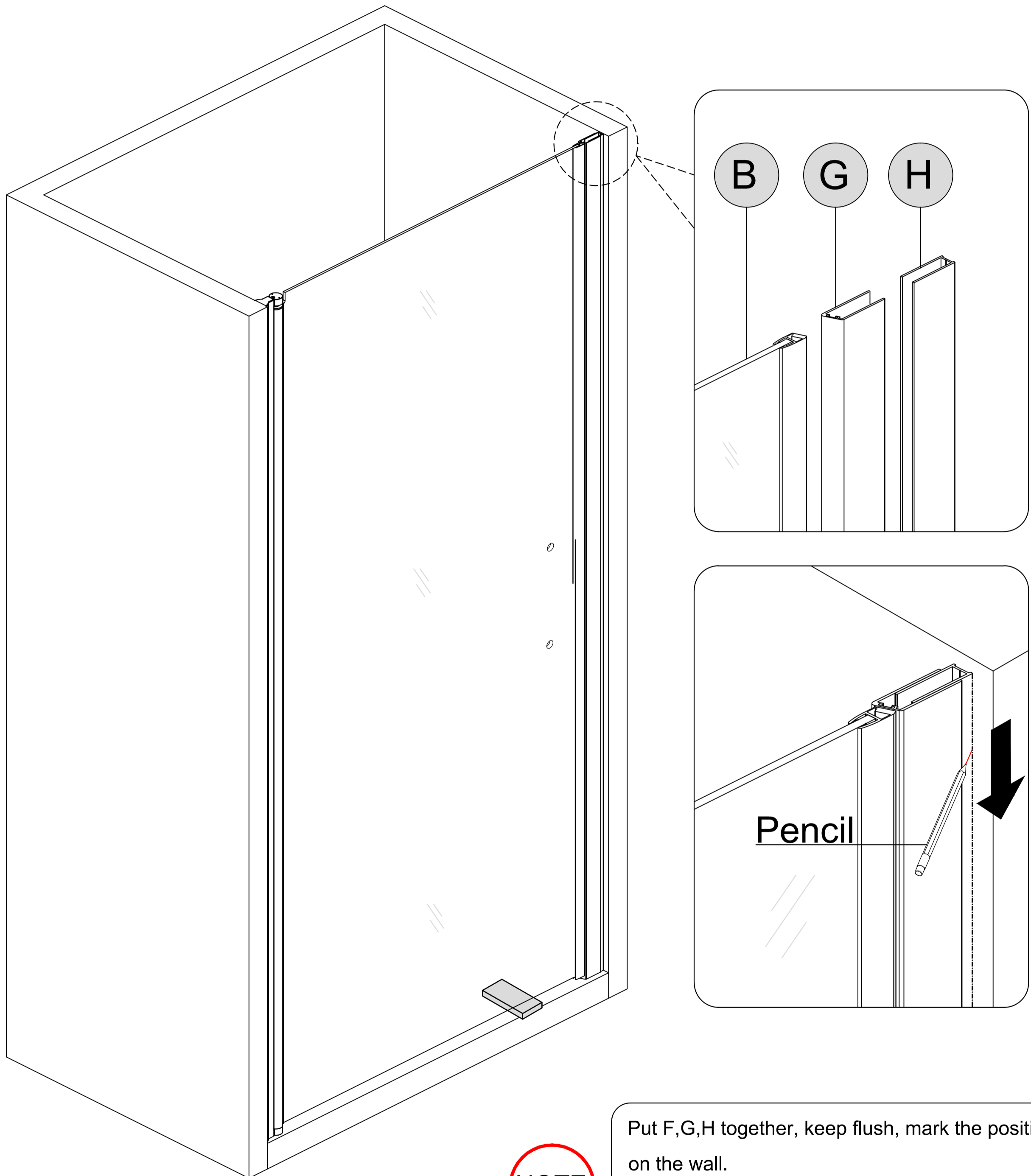
NOTE

Include the washers when installing the ST4.0x10mm Pan Head Screws (dd) and Decorative Caps (cc) .



Inside View

5 Determine the G & H position

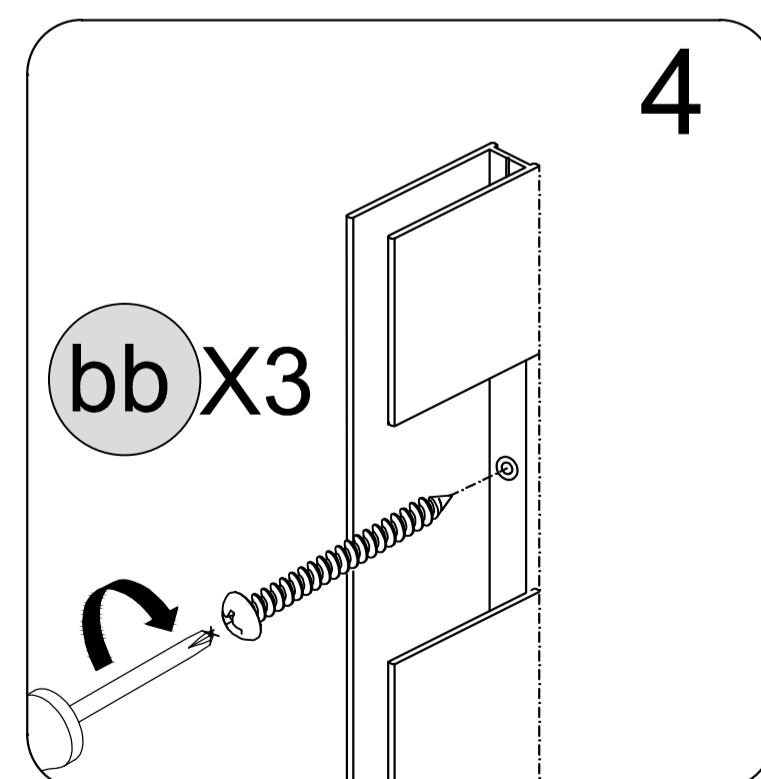
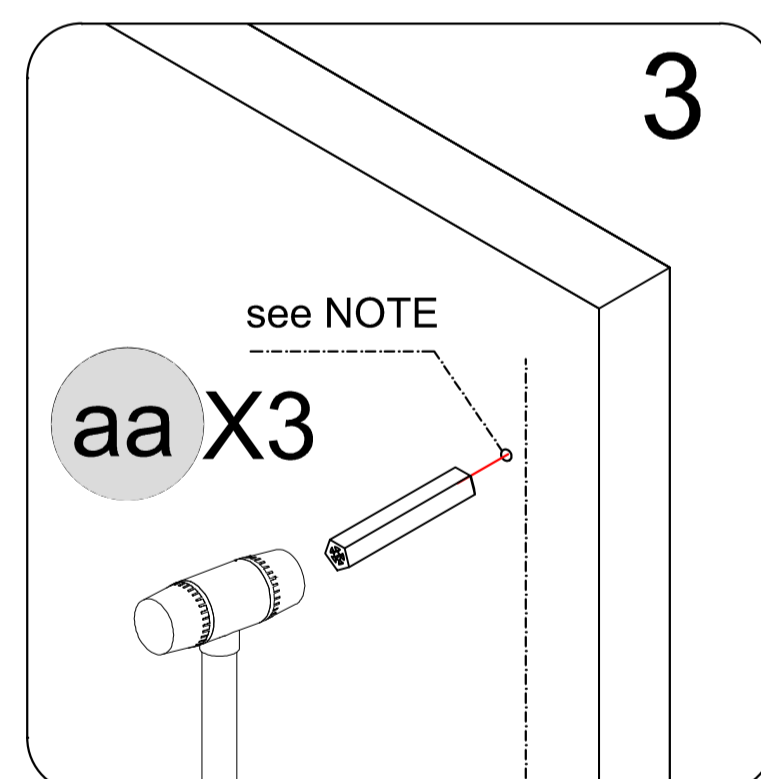
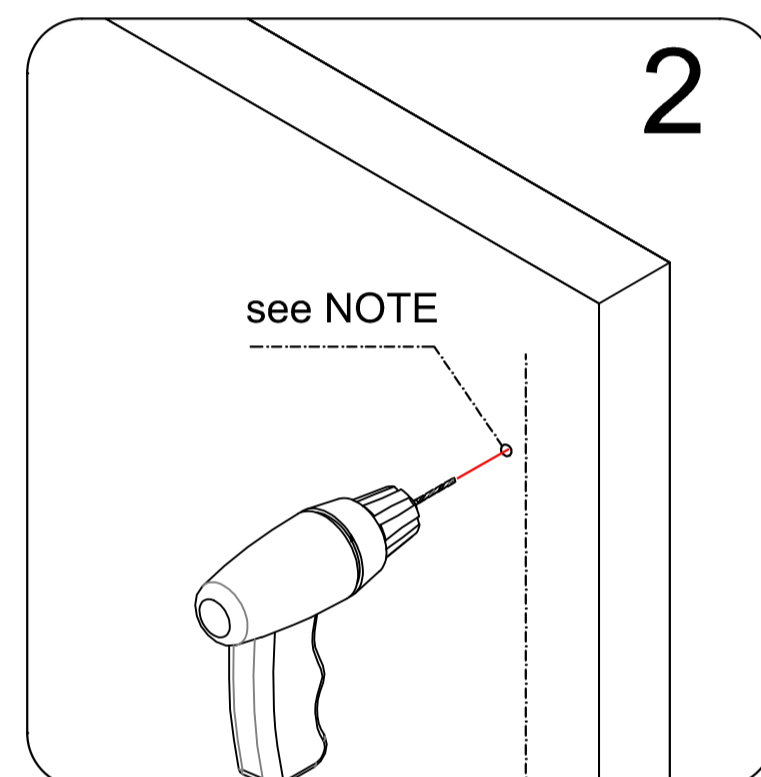
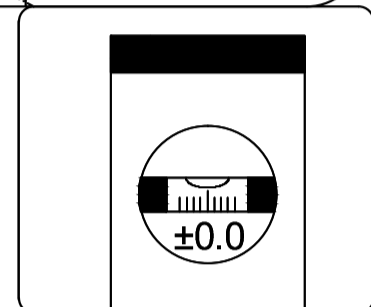
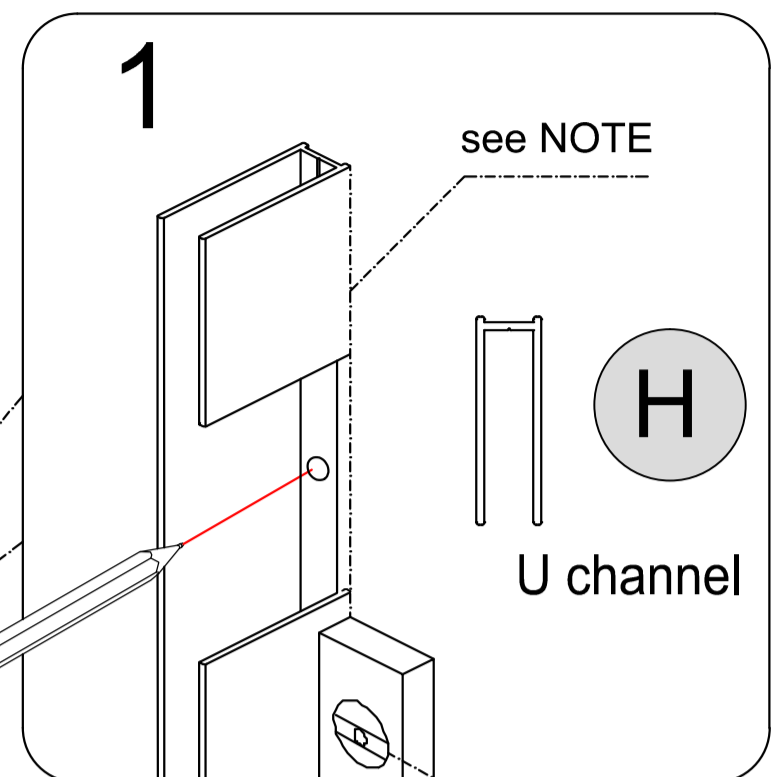
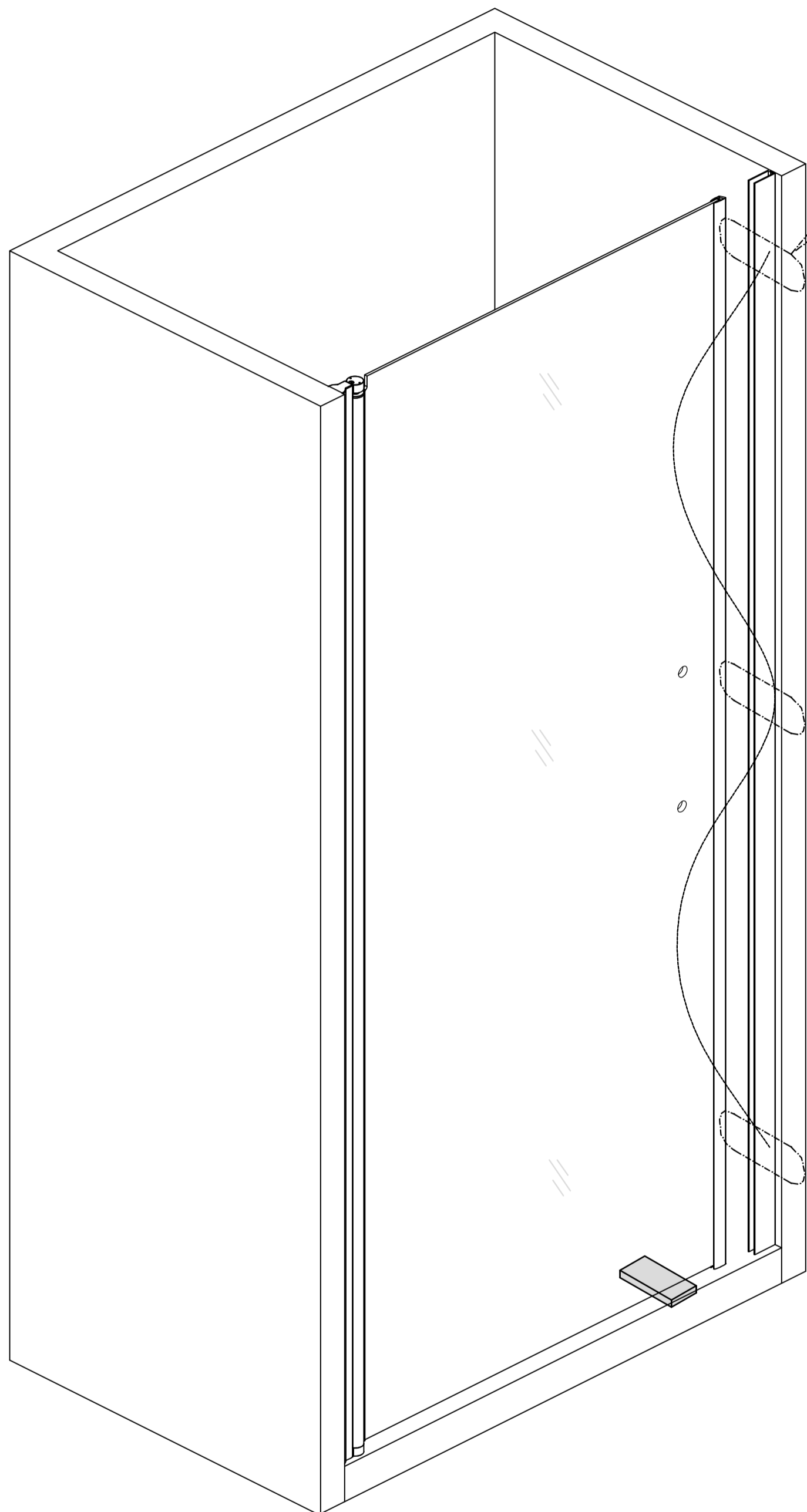


NOTE

Put F,G,H together, keep flush, mark the position on the wall.
Center the Magnetic Seal Aluminum channel(G) and U channel (H) on the Threshold.

6

U channel Installation

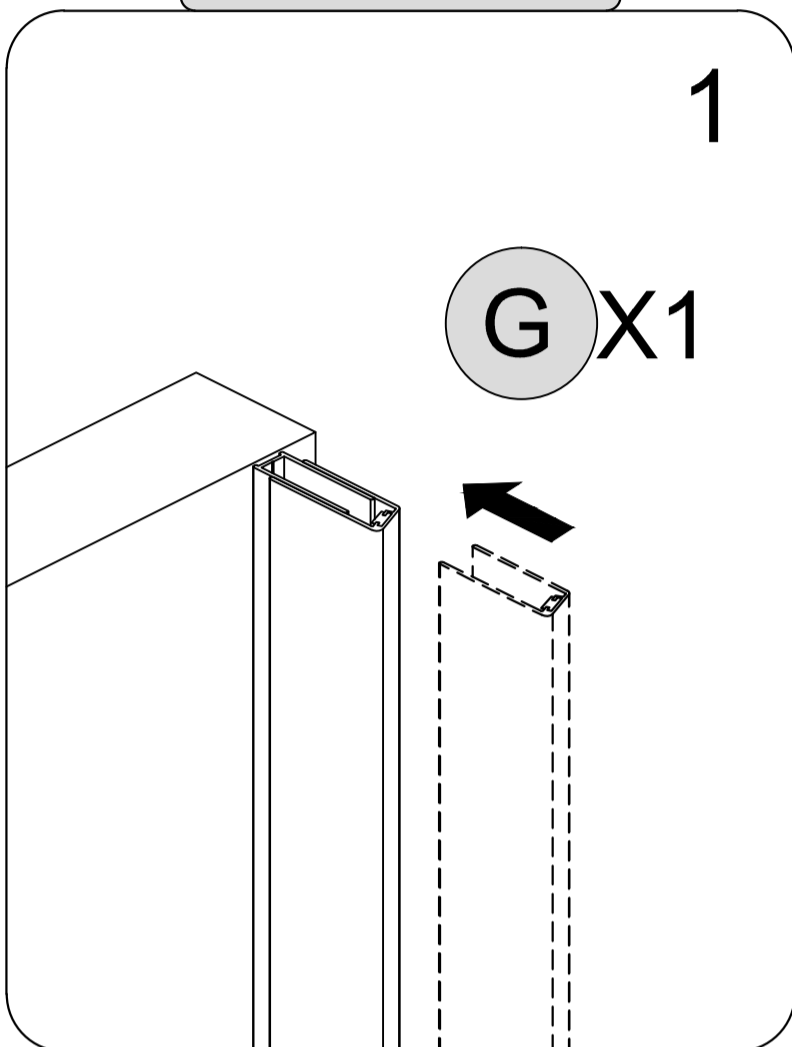


NOTE

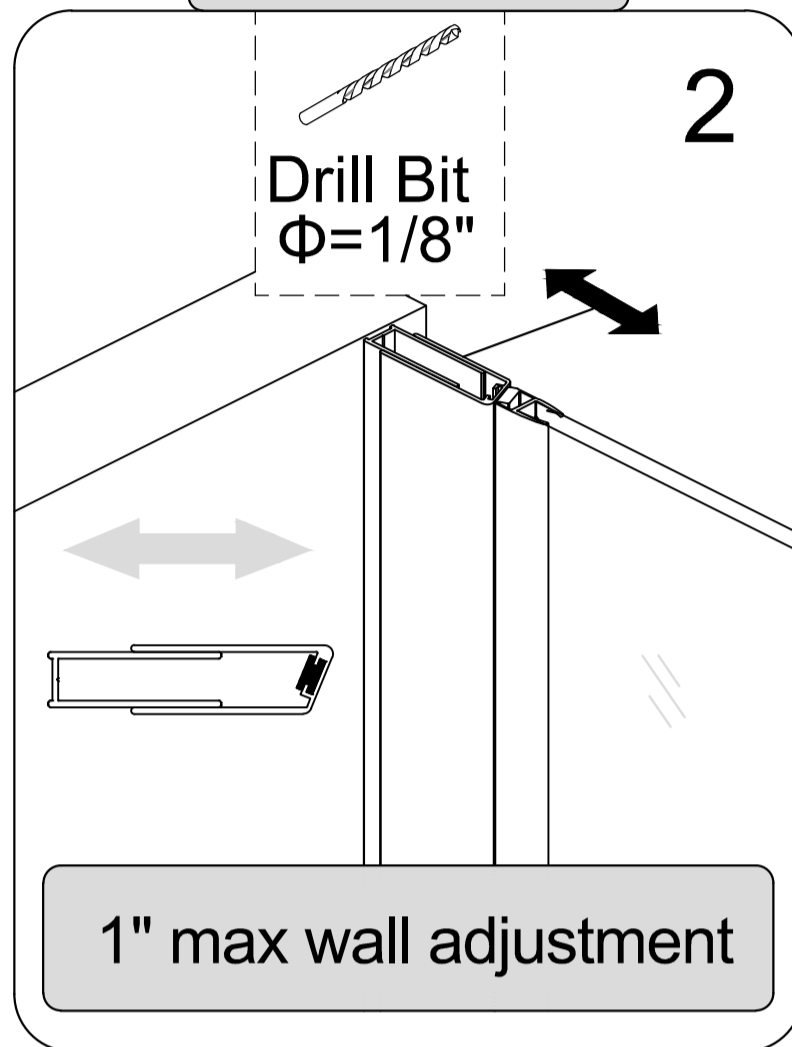
- If a Stud is present behind the wall:
drill a $\text{Ø}3/16''$ (4mm) hole up to the stud,
drill an $\text{Ø}1/8''$ (3mm) pilot hole into the stud and
use the ST4.0 x 30mm Pan Head Screws (bb)
OR
- If No Stud is present behind the wall:
drill a $\text{Ø}1/4''$ (6mm) hole and insert the Wall Anchors (aa)
and use the ST4.0 x 30mm Pan Head Screws (bb).

7 Magnetic Seal Wall Jamb Installation

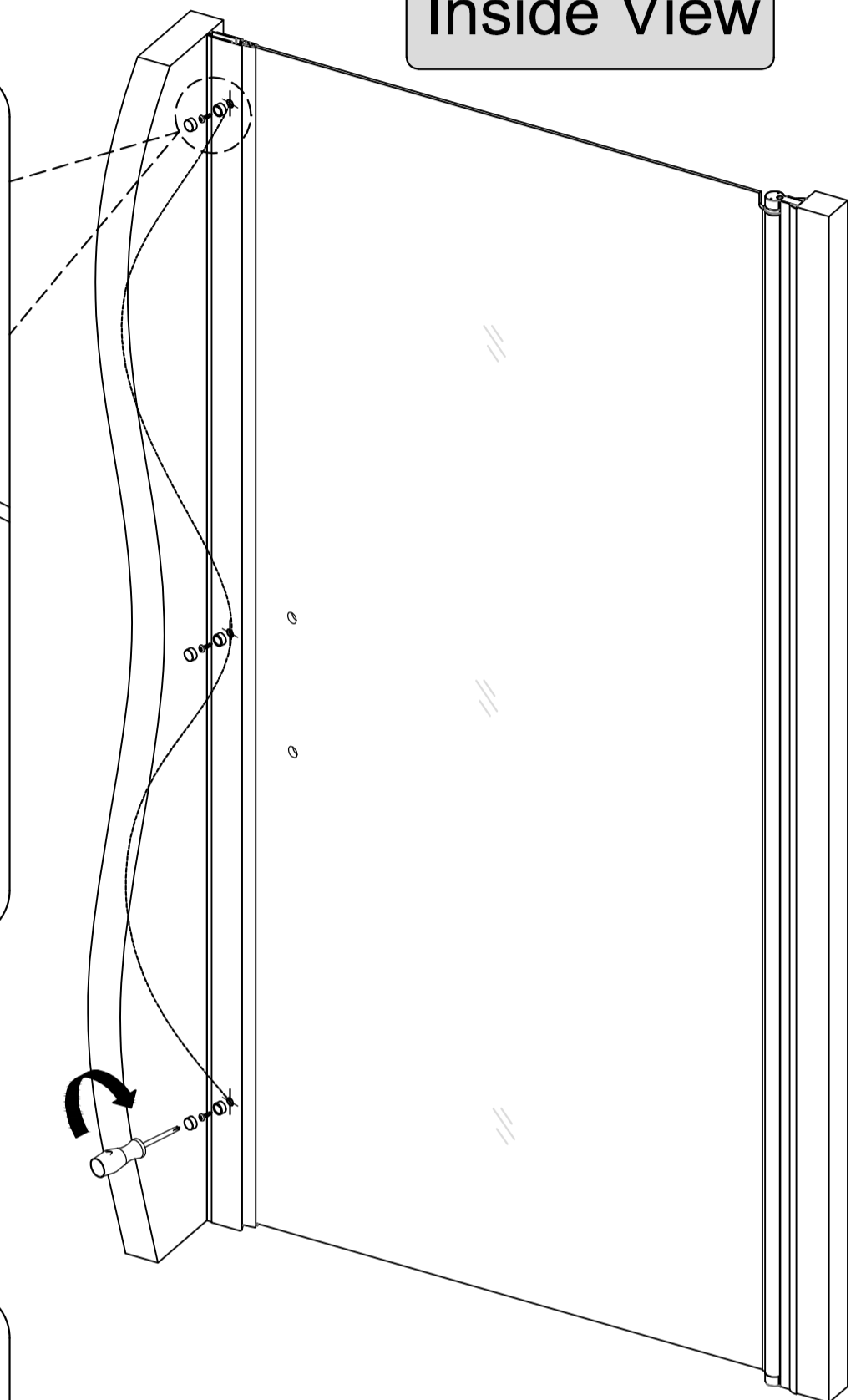
Inside View



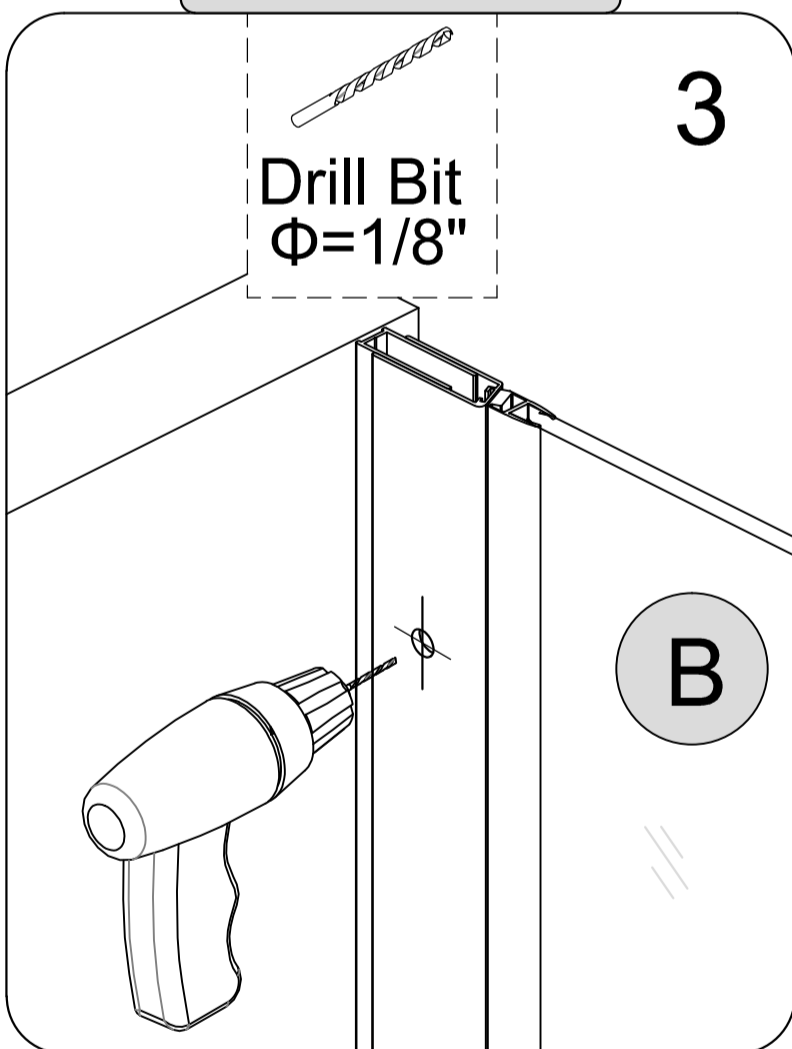
Inside View



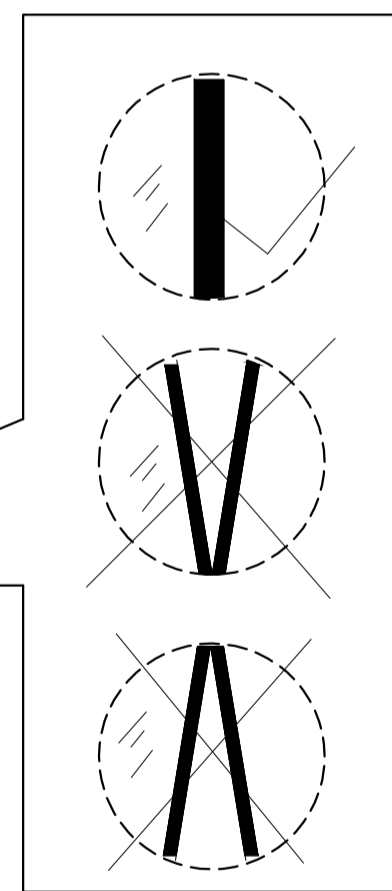
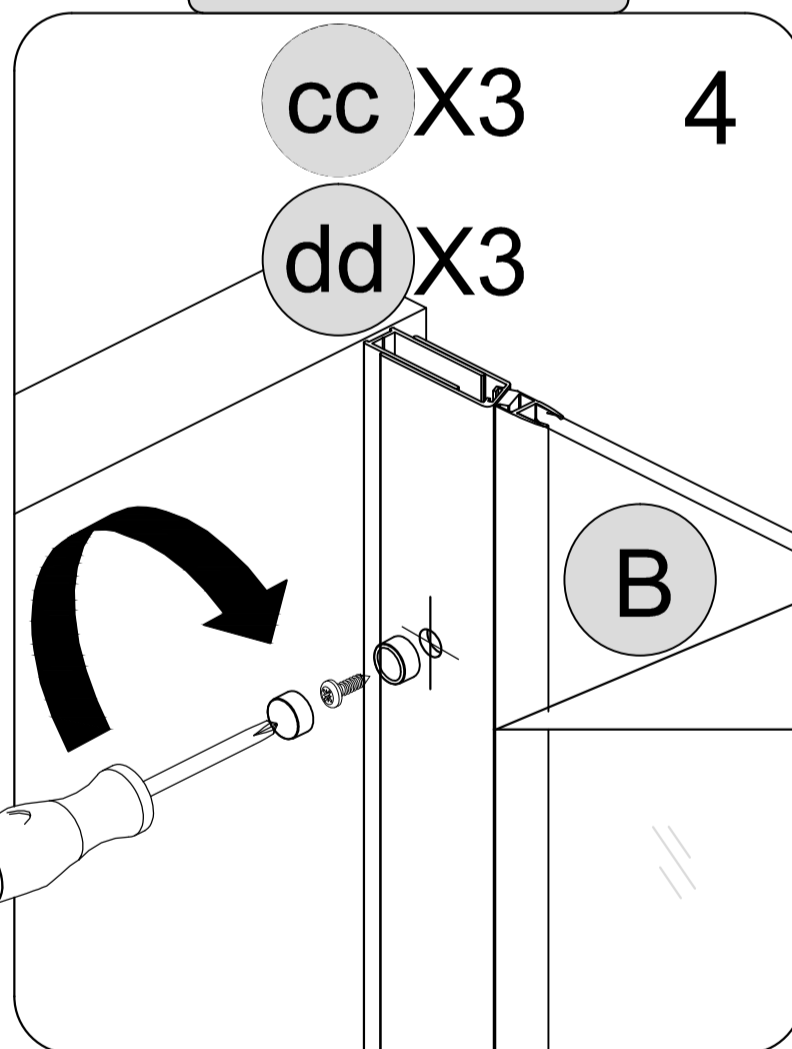
Inside View



Inside View

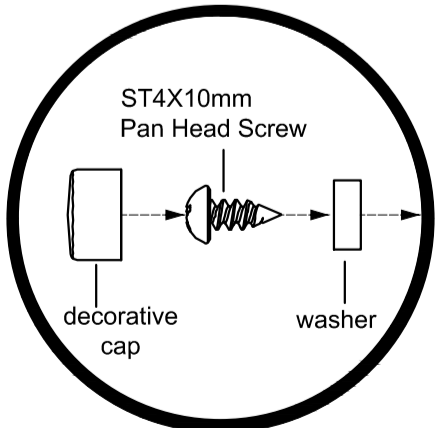


Inside View



NOTE

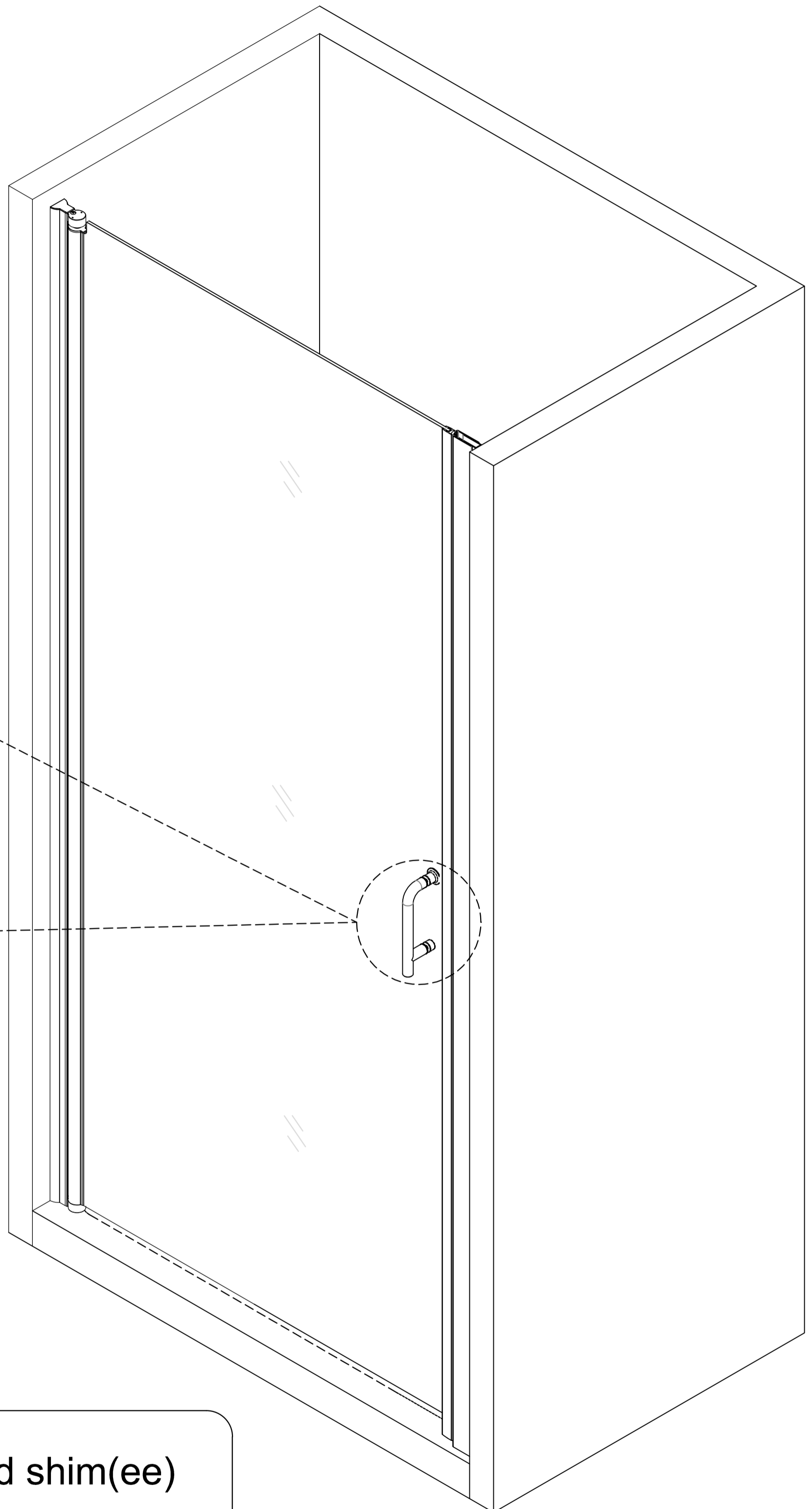
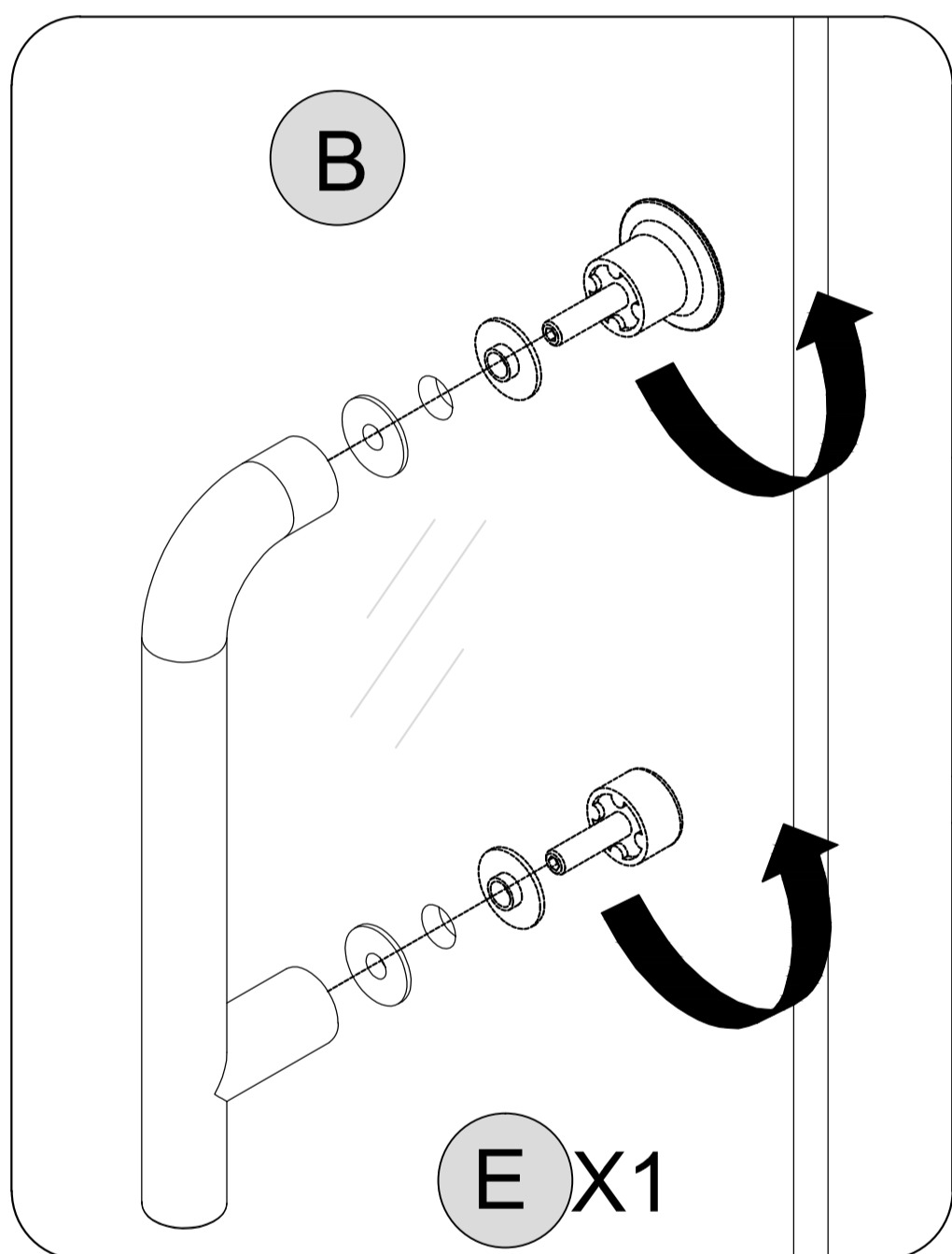
Include the washers when installing the ST4.0×10mm Pan Head Screws (dd) and Decorative Caps (cc) .



Make sure the magnetic seals close properly!!

8

handle Installation

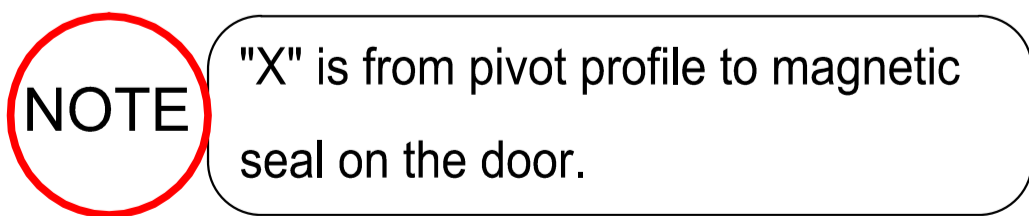
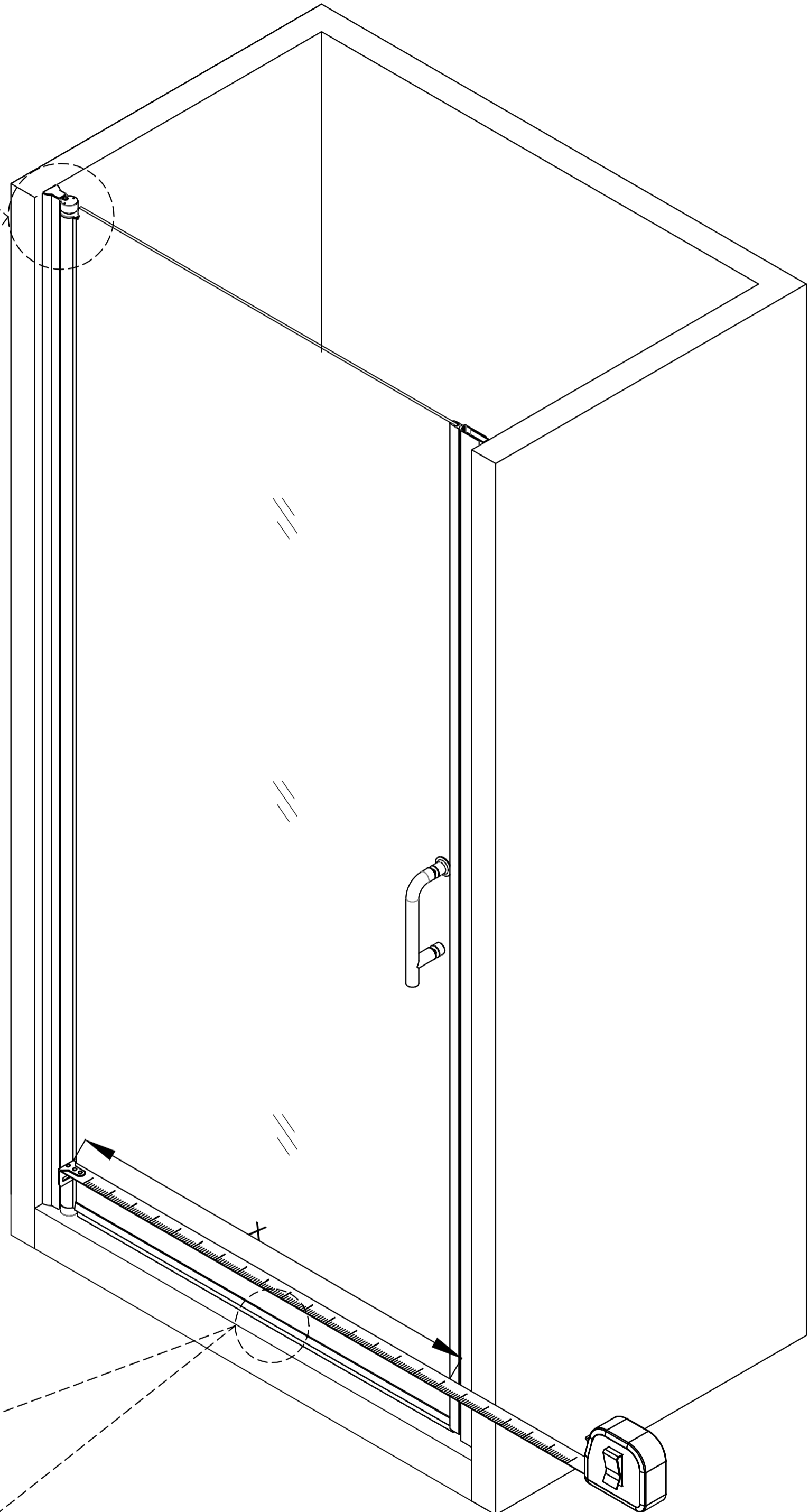
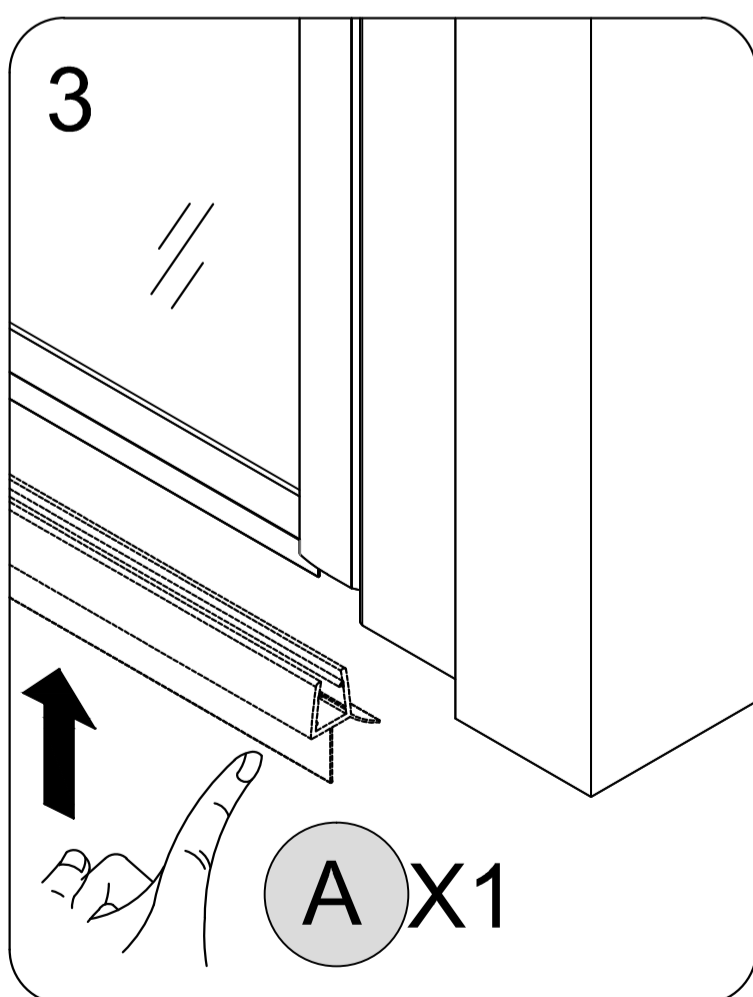
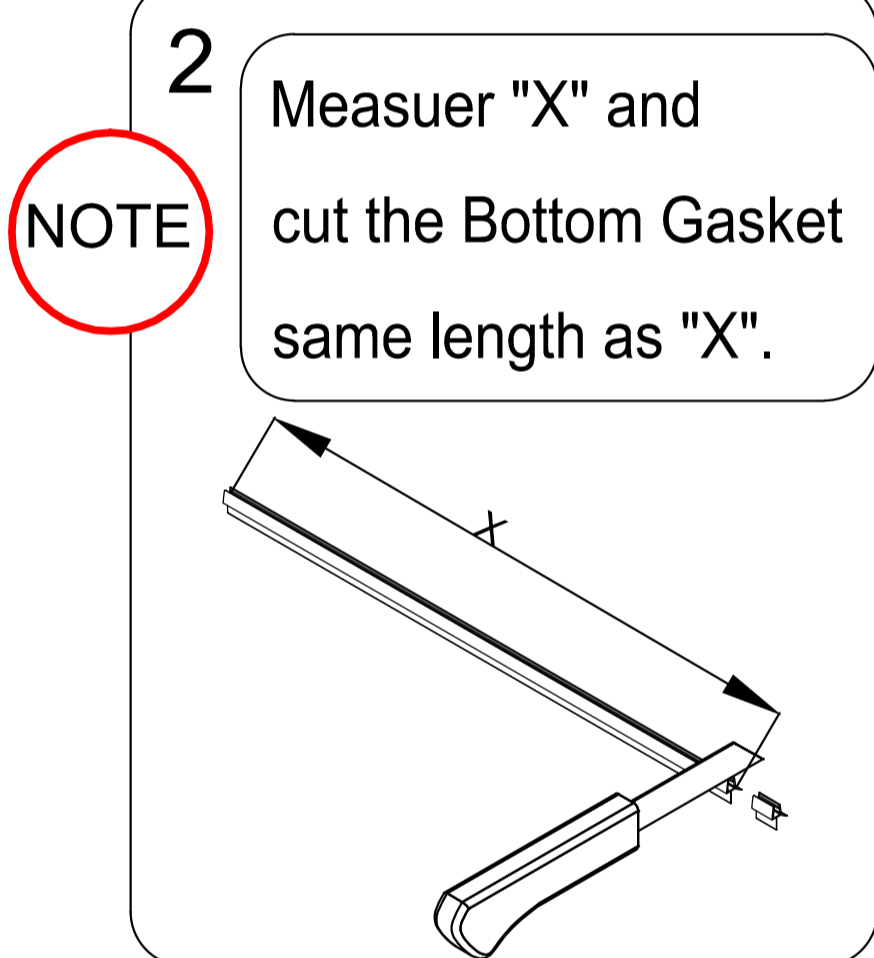
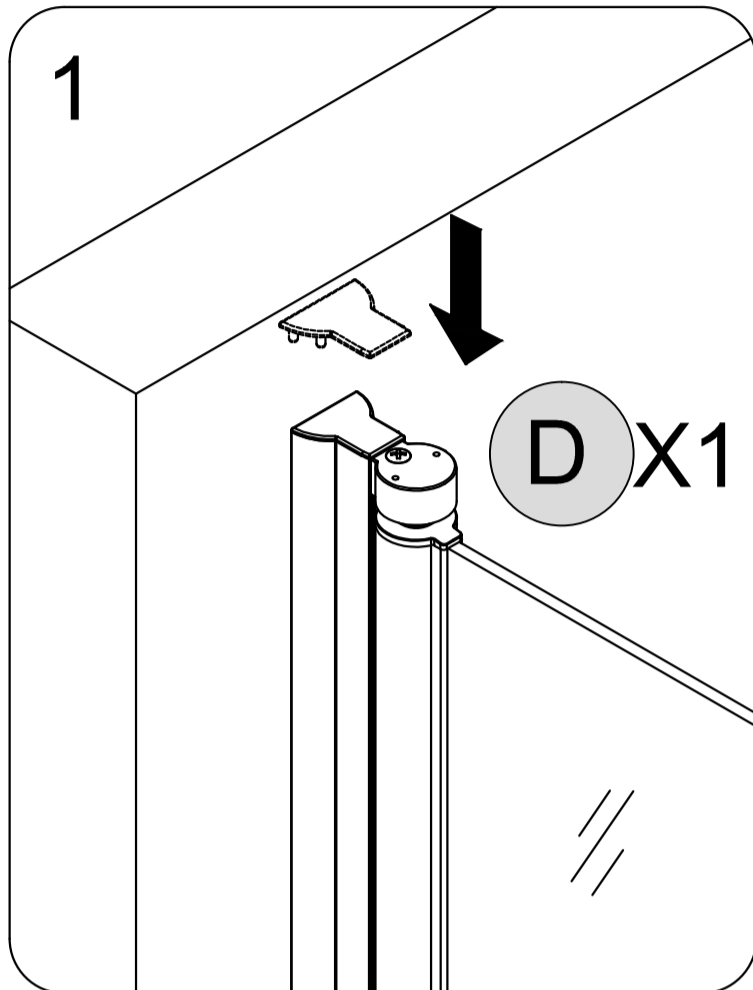


NOTE

Remove the wood shim(ee)
and open the door.

9

Top Cover Cap & Bottom Gasket Installation



10

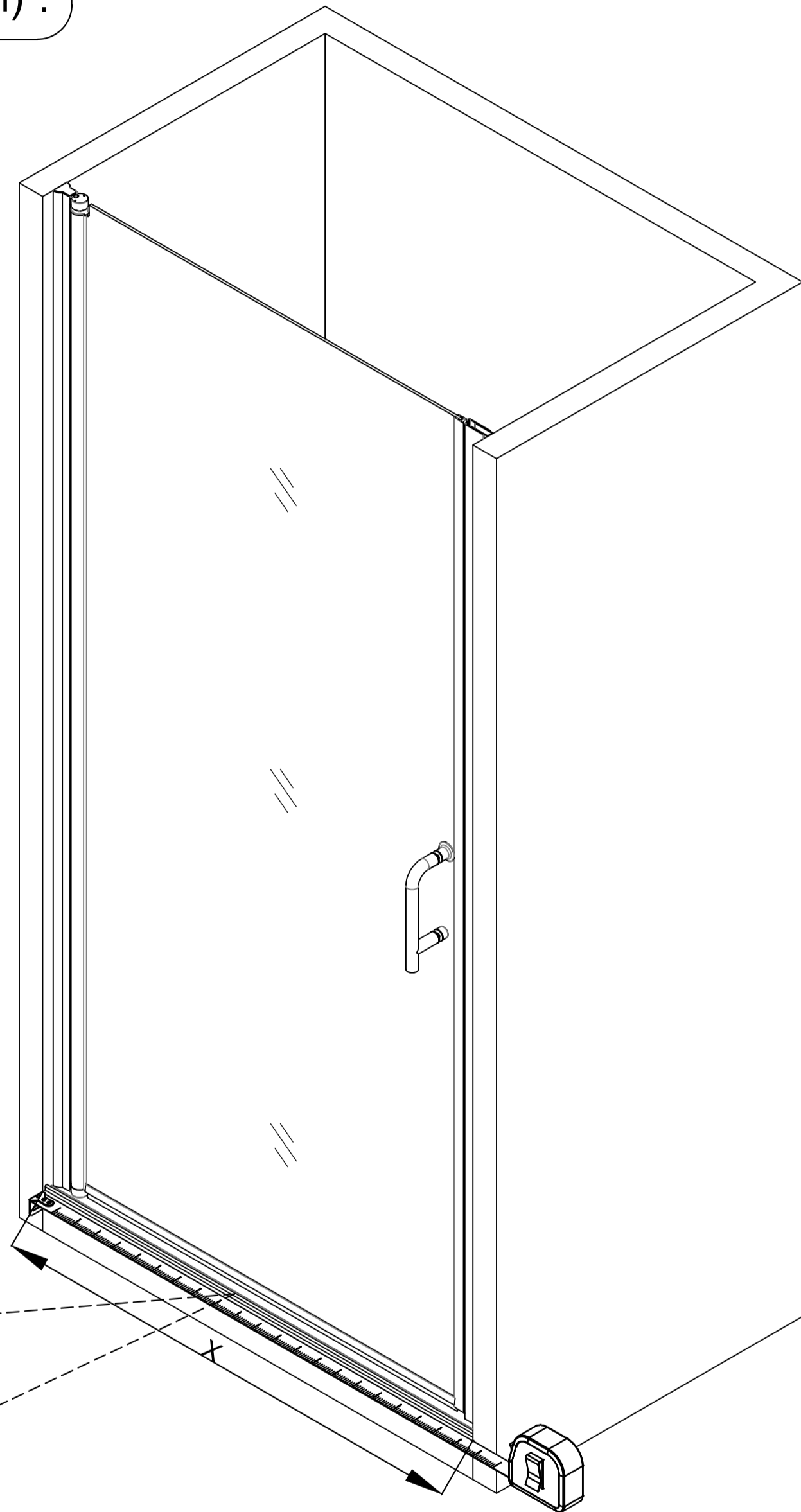
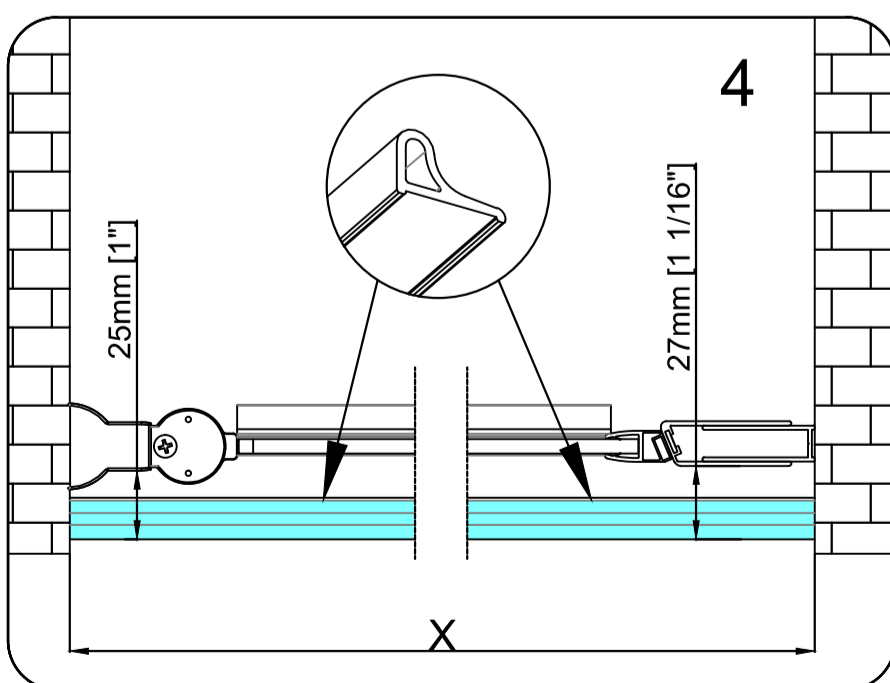
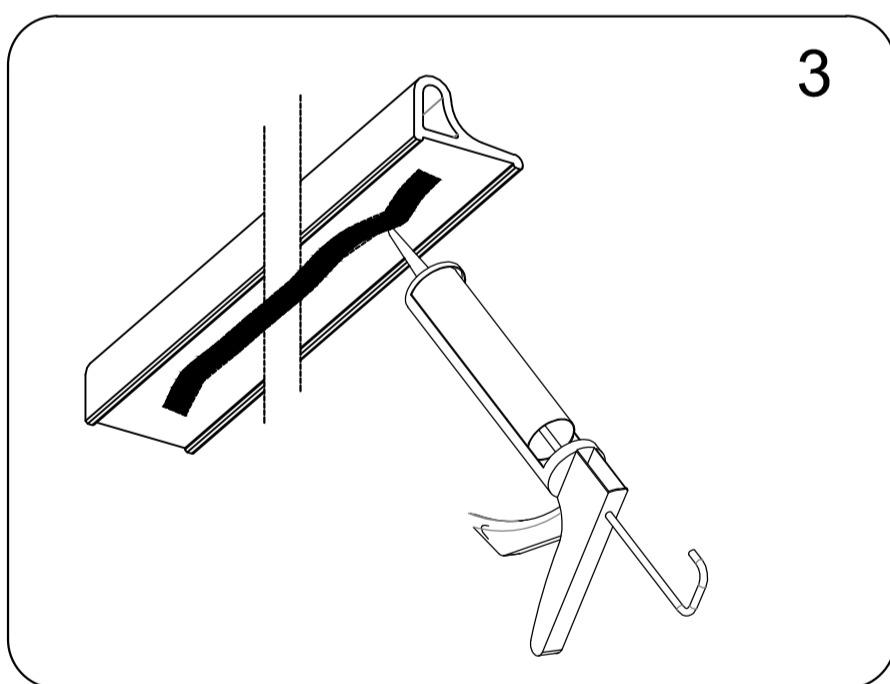
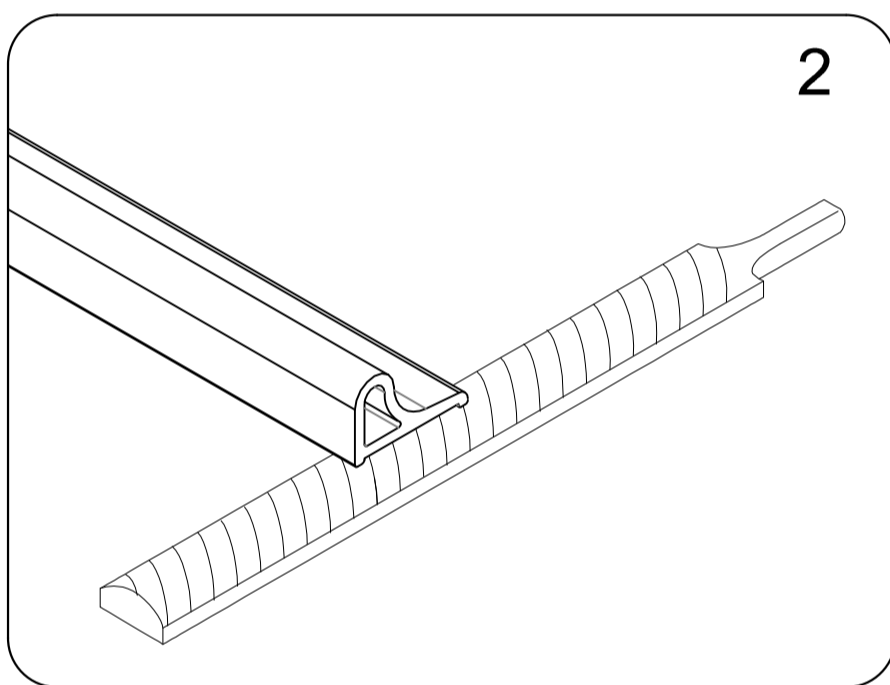
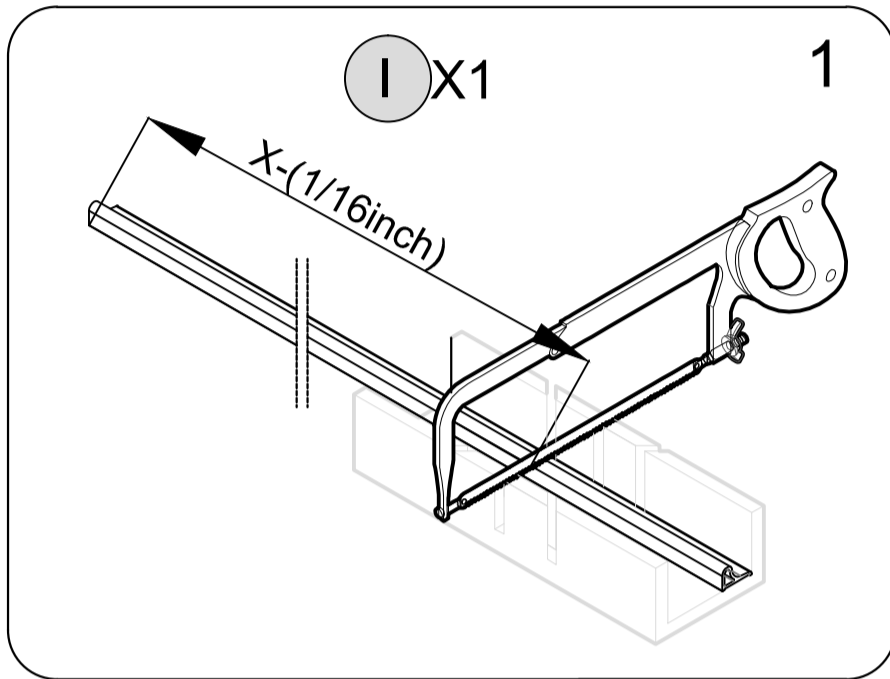
Alu.Threshold Installation

NOTE

Measuer "X" and cut the alu threshlod same length as "(X-1/16inch)".

NOTE

"X" wall to wall width.



NOTE

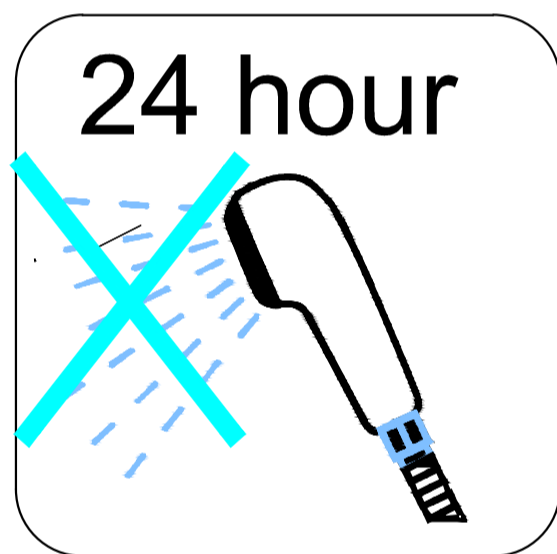
The large curved lip of the dam strip is intended to face toward the outside of the shower to ensure the flow of water is redirected towards the drain.

11 SEALING

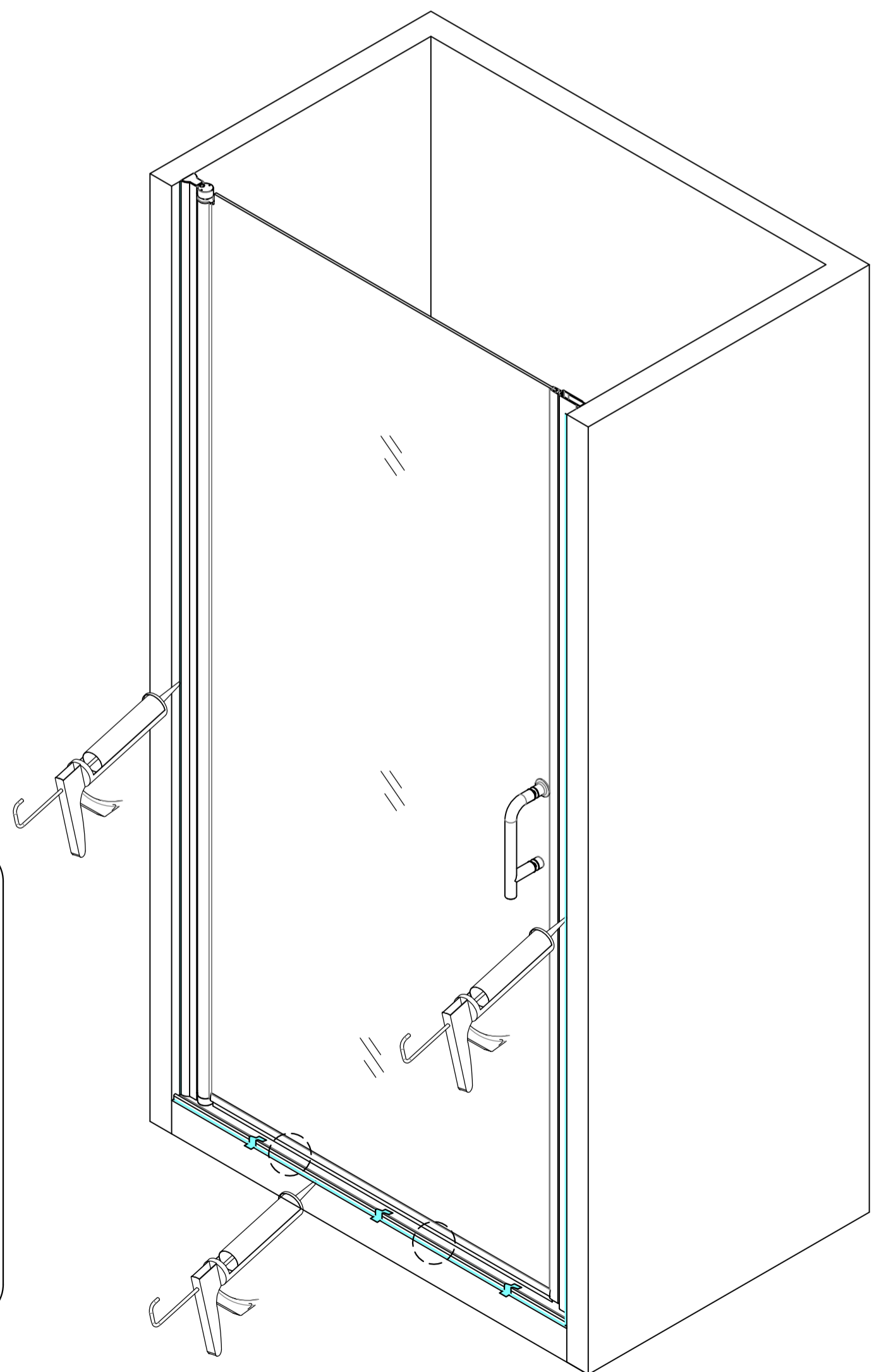
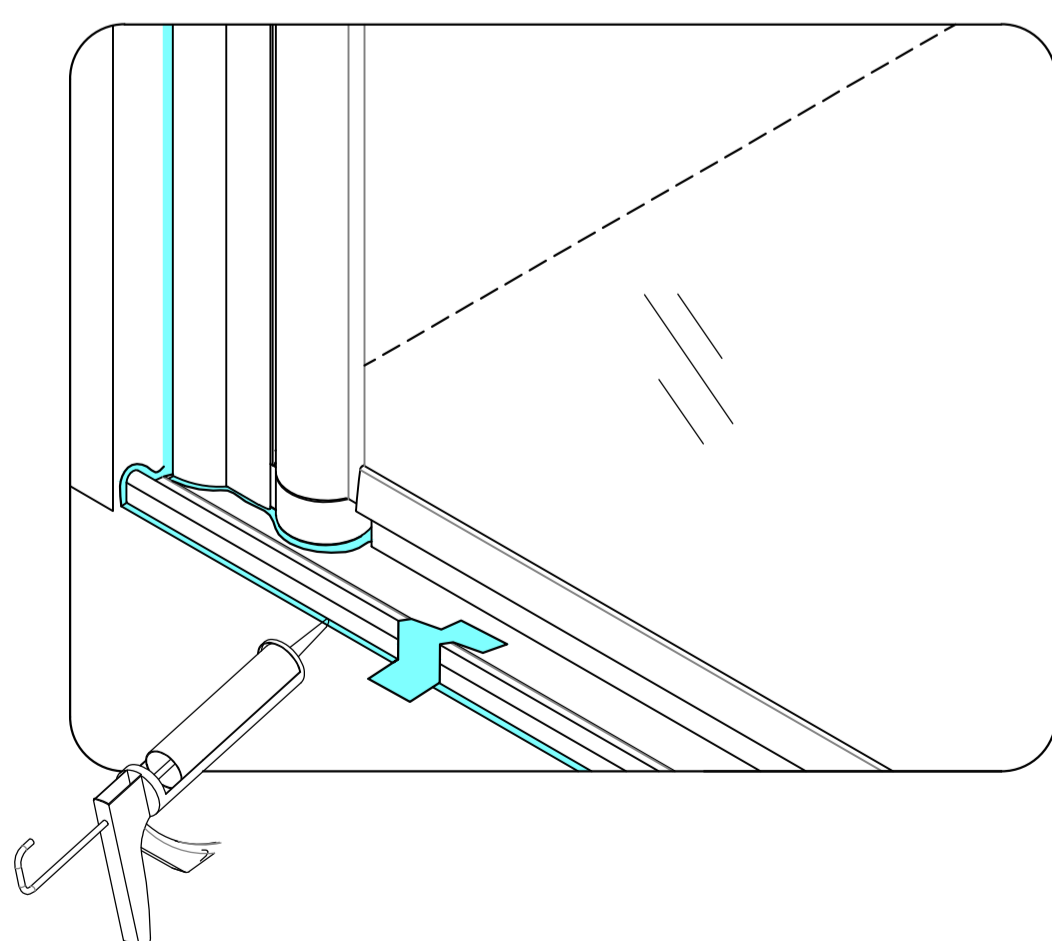
NOTE The surfaces need to be clean and free of debris before applying silicone.

NOTE Ensure that the Shower door closes tightly and opens smoothly.
Apply a good quality silicone sealant along the wall Jamb(C)&(H)and Water seal (I) .

! Allow 24 hours for the silicone to cure before using the shower.



! Apply Silicone Sealant,(not supplied).



SHOWER DOOR

This troubleshooting guide is for general aid only. For service and installation issues or concerns, please contact us.

Troubleshooting		
Problem/Symptom	Suggested Solution	Page(s)
Missing parts	<ul style="list-style-type: none"> *Check all shipping/packaging material for missing parts/components. *If not found, please contact us to order factory part replacement. 	2.3
Door is not operating smoothly	<ul style="list-style-type: none"> *Check the magnetic seal (F) for proper trimming and installation. * Confirm the sweep seal (A) is tightly secured to the bottom of Door Glass 	10-15
Water leakage	<ul style="list-style-type: none"> *Check all the pvc seals for proper trimming and installation. *Check the alu. threshold installed properly and secured with silicone. 	16-18
Handle rattles during operation	<ul style="list-style-type: none"> *Confirm the pvc gaskets are present and the handle is tightly secured to the glass. 	15