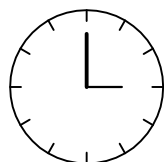
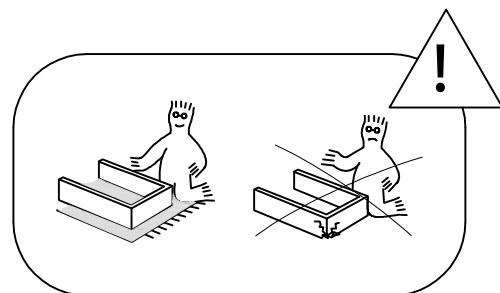
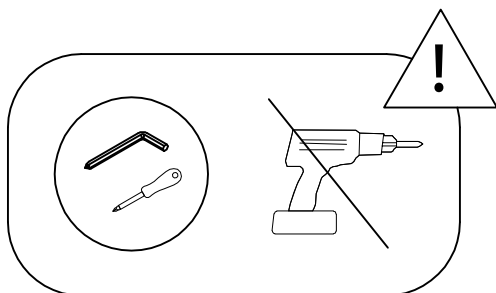
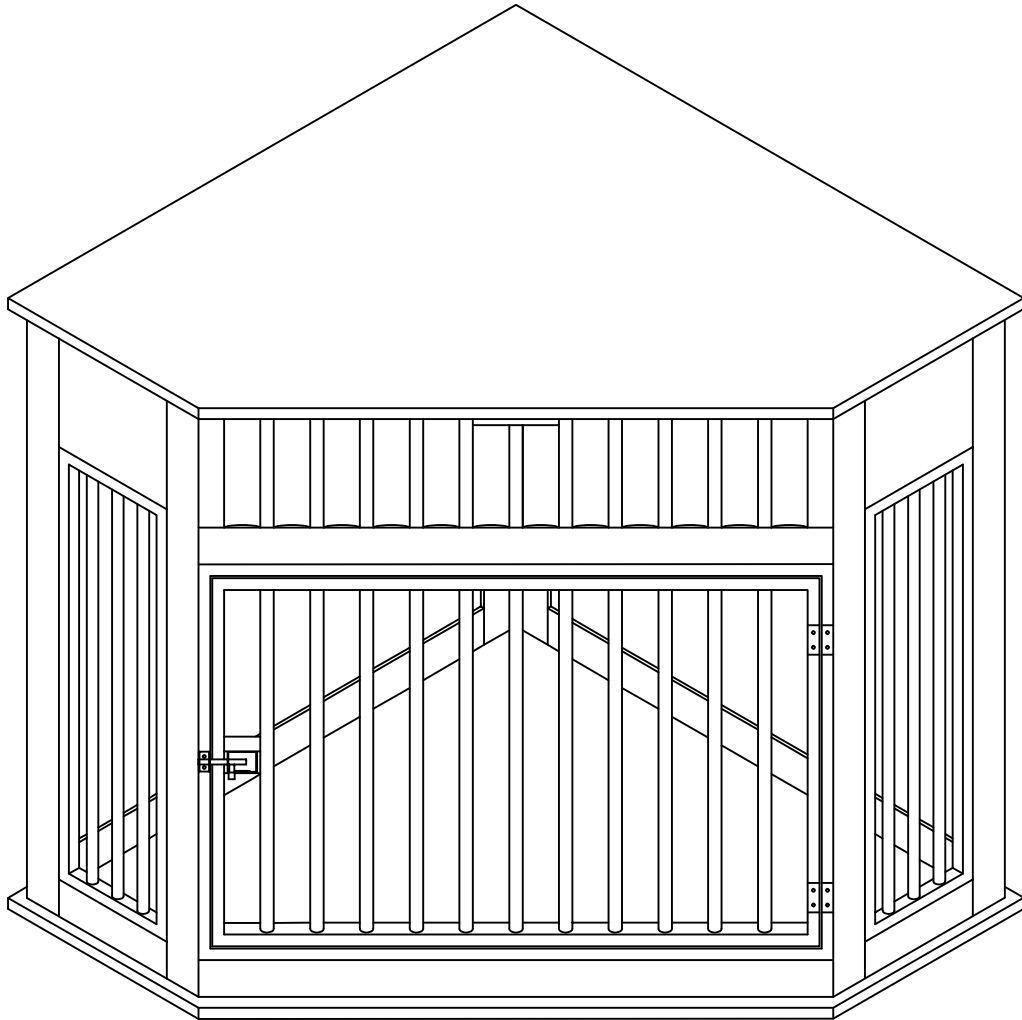
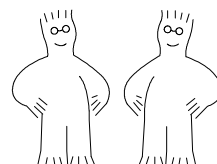


# ASSEMBLY INSTRUCTION



60'



2



## **WARNING:**

**Please read this manual carefully before using the product. Failure to do so may result in serious injury.**

# **ASSEMBLY PRECAUTIONS**

1. Assemble only according to these instructions. Improper assembly can create hazards.
2. Wear ANSI-approved safety goggles and heavy-duty work gloves during assembly.
3. Keep the assembly area clean and well-lit.
4. Keep bystanders out of the area during assembly.
5. Do not assemble when tired or when under the influence of alcohol, drugs or medication.
6. The product capabilities apply to properly and completely assembled products only.
7. Assemble on a flat, level, hard and smooth surface capable of safely.
8. For additional information regarding the parts listed in the following pages, please refer to the Assembly Diagram of this manual. Unwrap and separate all parts in a clean work area.

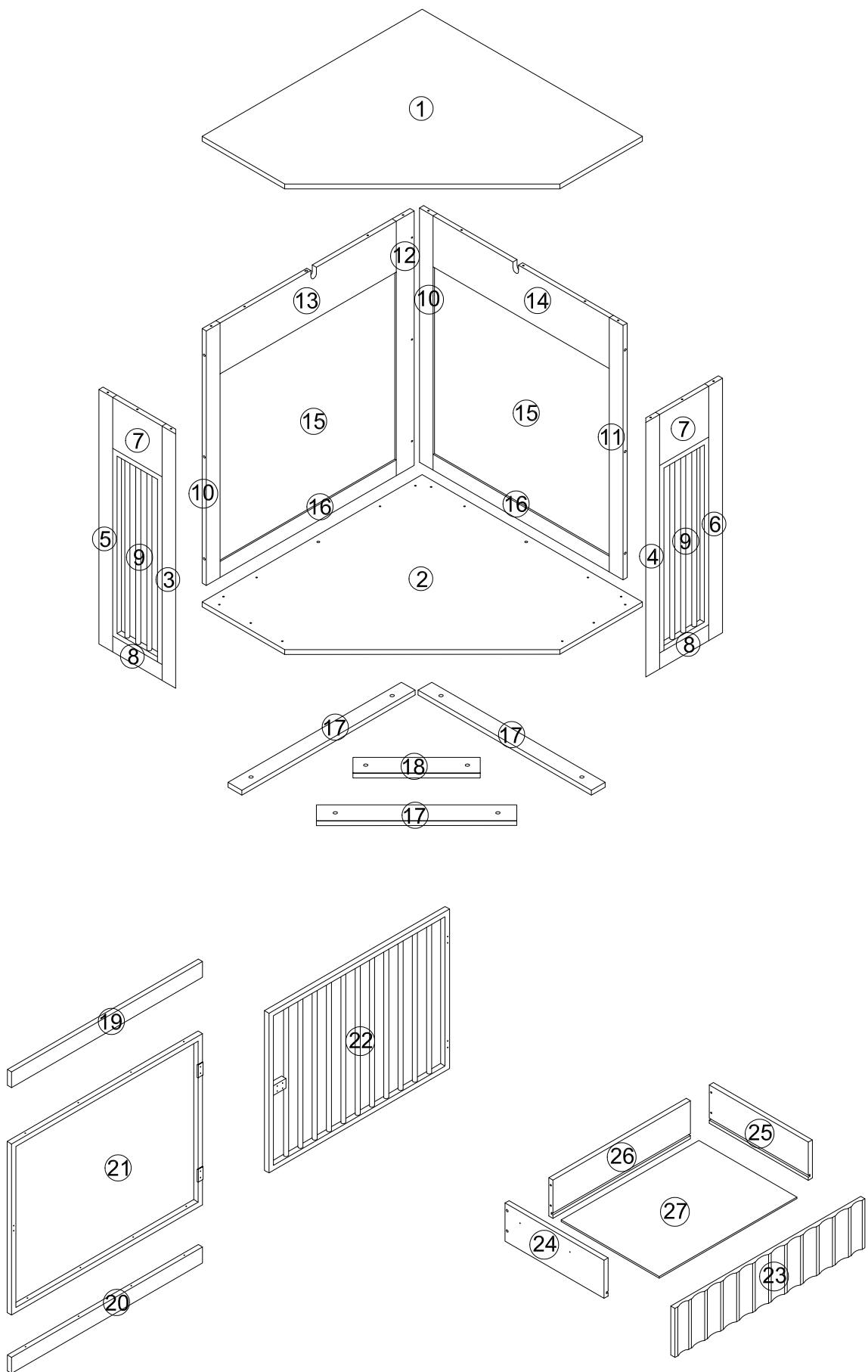
**SAVE THESE INSTRUCTIONS**

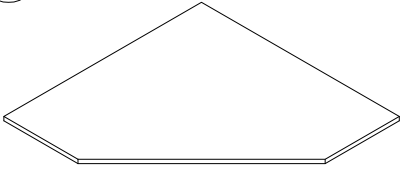
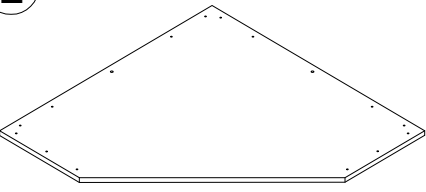
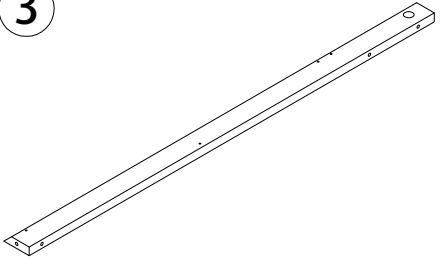
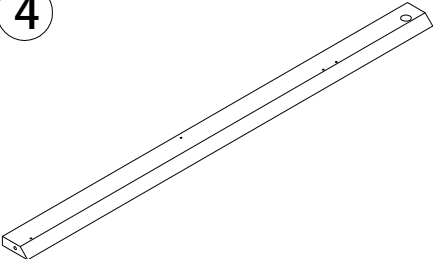
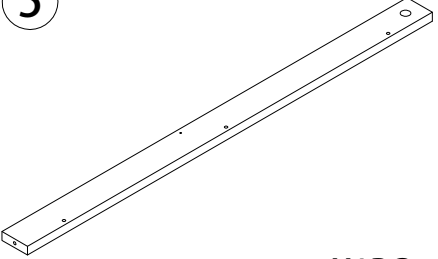
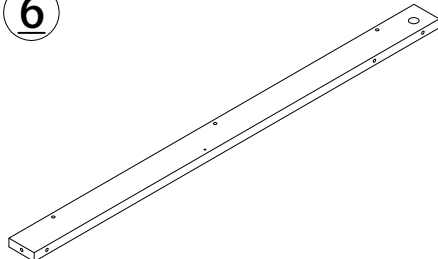
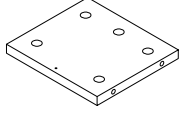
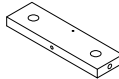
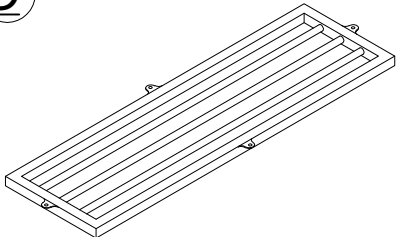
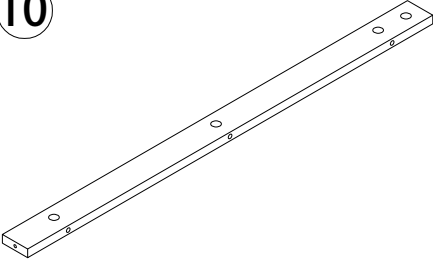
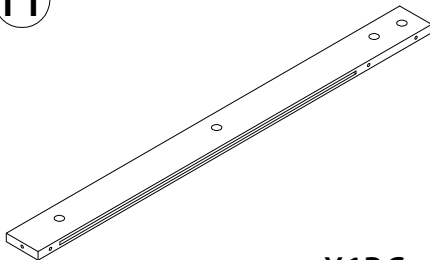
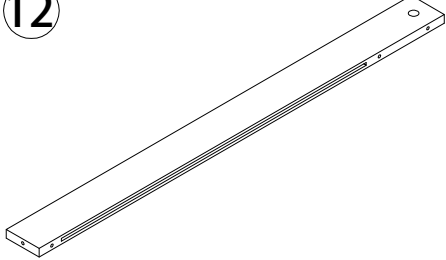
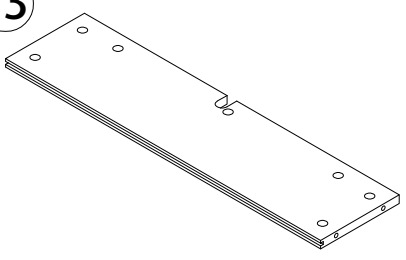
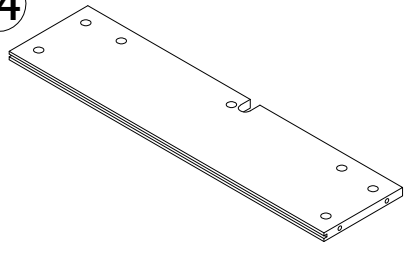
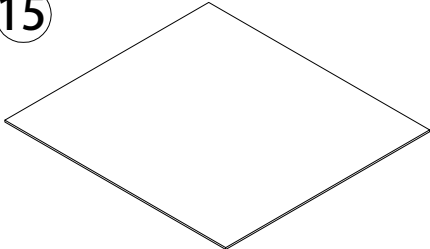
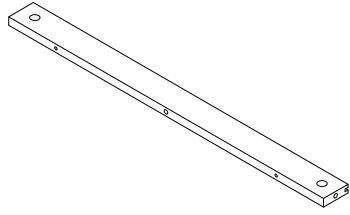
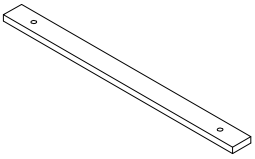
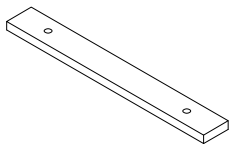
# USE PRECAUTIONS

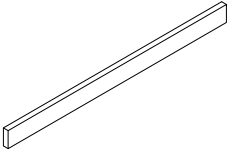
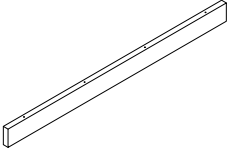
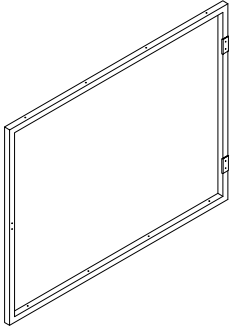
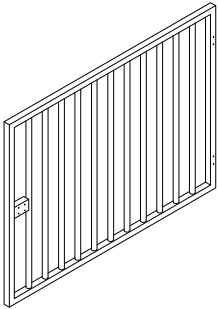
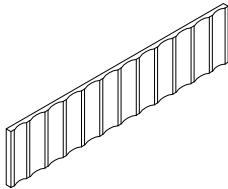
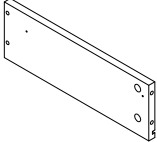
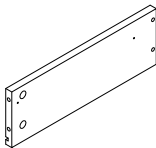
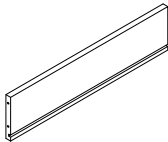
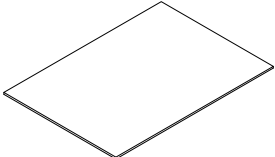
1. This product is not a toy. Do not allow children to play with or near this item.
2. Do not exceed weight capacities, before moving.
3. Use only on a flat, level, hard and smooth surface capable of safely.
4. Use as intended only.  
Inspect before every use; do not use if parts are loose or damaged.

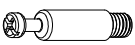

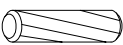



## **WARNING!**

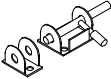
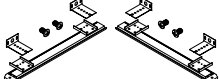

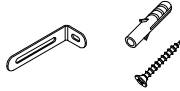


Serious or fatal crushing injuries can occur from furniture tip over. To prevent tip over this furniture must be used with the wall attachment device(s) provided.




<p>①</p>  <p>X1PC</p>	<p>②</p>  <p>X1PC</p>	<p>③</p>  <p>X1PC</p>
<p>④</p>  <p>X1PC</p>	<p>⑤</p>  <p>X1PC</p>	<p>⑥</p>  <p>X1PC</p>
<p>⑦</p>  <p>X2PCS</p>	<p>⑧</p>  <p>X2PCS</p>	<p>⑨</p>  <p>X2PCS</p>
<p>⑩</p>  <p>X2PCS</p>	<p>⑪</p>  <p>X1PC</p>	<p>⑫</p>  <p>X1PC</p>
<p>⑬</p>  <p>X1PC</p>	<p>⑭</p>  <p>X1PC</p>	<p>⑮</p>  <p>X2PCS</p>
<p>⑯</p>  <p>X2PCS</p>	<p>⑰</p>  <p>X3PCS</p>	<p>⑱</p>  <p>X1PC</p>

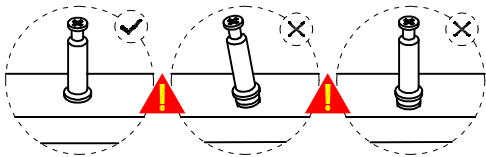
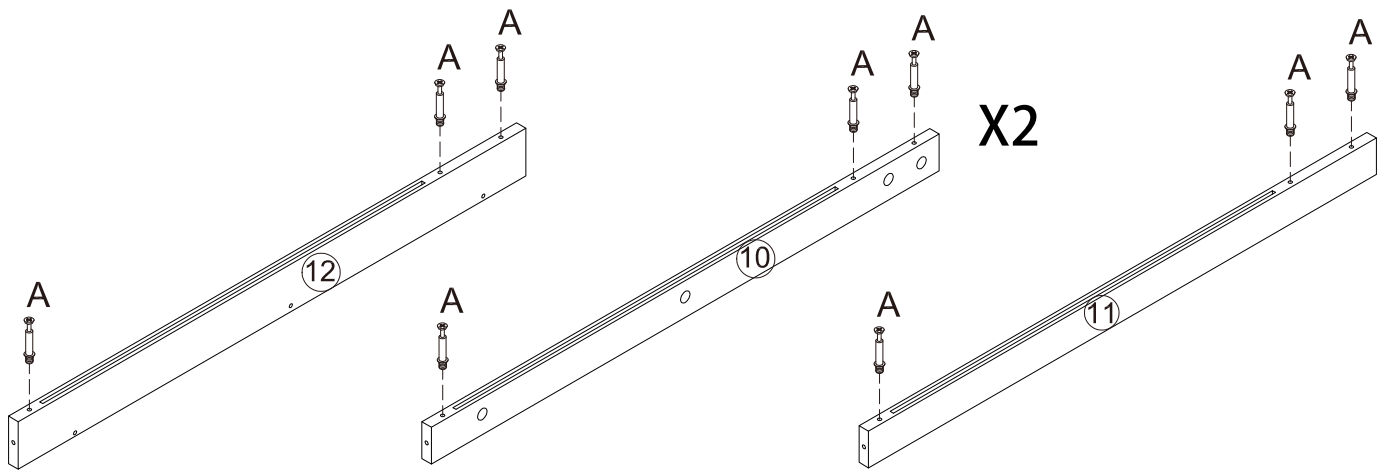
<p>19</p>  <p>X1PC</p>	<p>20</p>  <p>X1PC</p>	<p>21</p>  <p>X1PC</p>
<p>22</p>  <p>X1PC</p>	<p>23</p>  <p>X1PC</p>	<p>24</p>  <p>X1PC</p>
<p>25</p>  <p>X1PC</p>	<p>26</p>  <p>X1PC</p>	<p>27</p>  <p>X1PC</p>

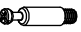
A	X54	B	X54	C	X4	D	X30	E	X9	F	X1
											
$\Phi 6*35\text{mm}$		$\Phi 15*9.5\text{mm}$		$\Phi 8*30\text{mm}$		$\Phi 5*38\text{mm}$		M6*20mm			

G	X1	H	X1	I	X11	J	X2	K	X7	L	X16
											
				M4*12mm		6*30mm & 4*35mm				ST4*12mm	

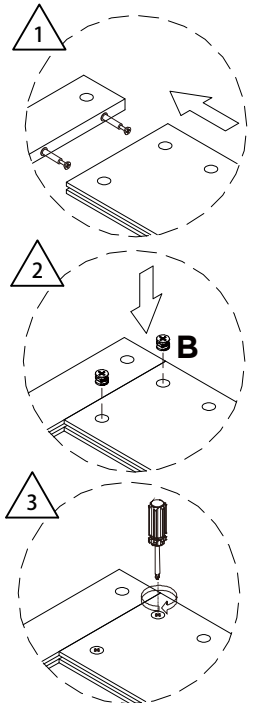
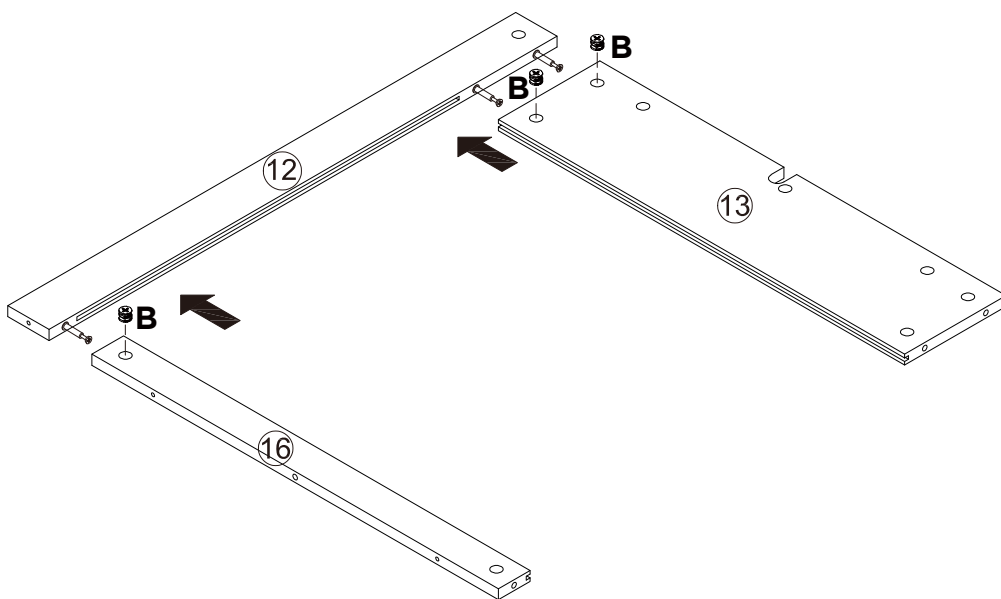
M	X23
	
ST4*12mm	


# Step1



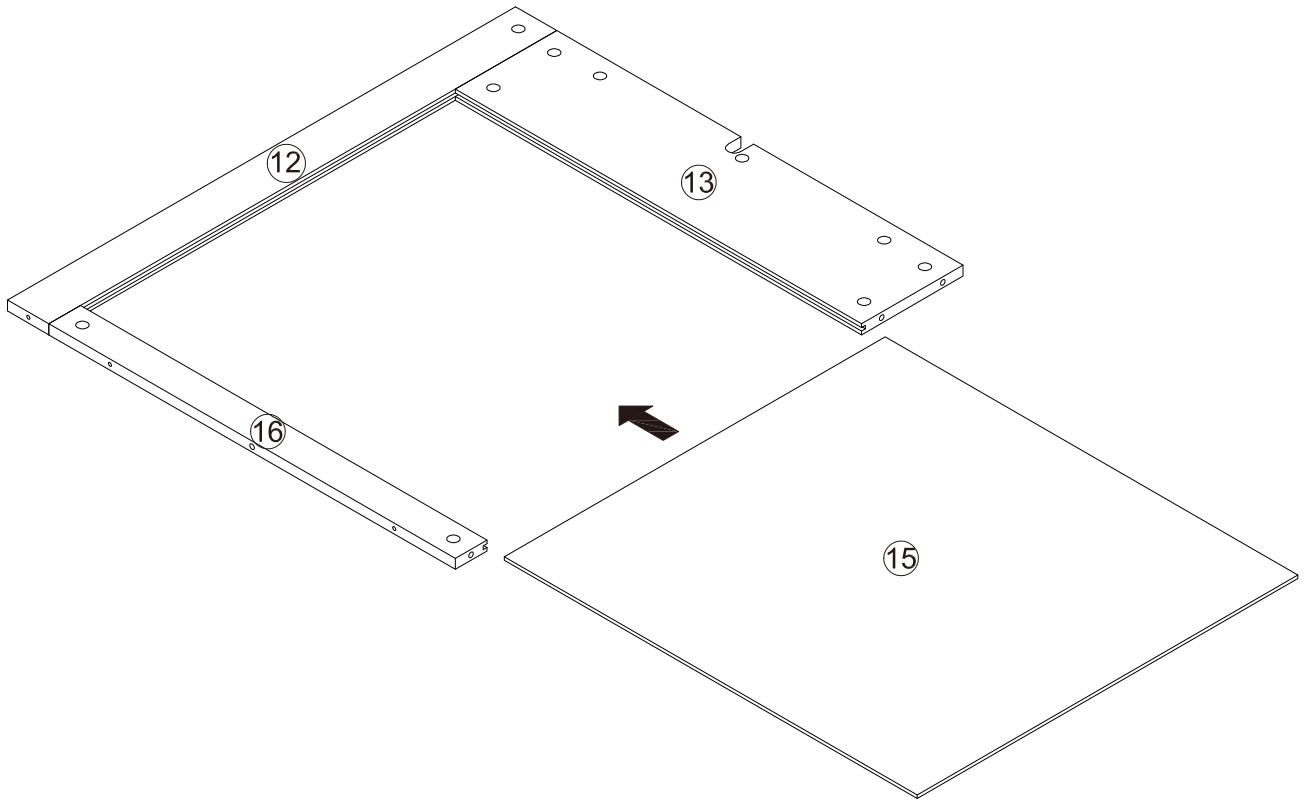
(A)	X12
	
$\Phi 6 \times 35 \text{mm}$	

# Step2

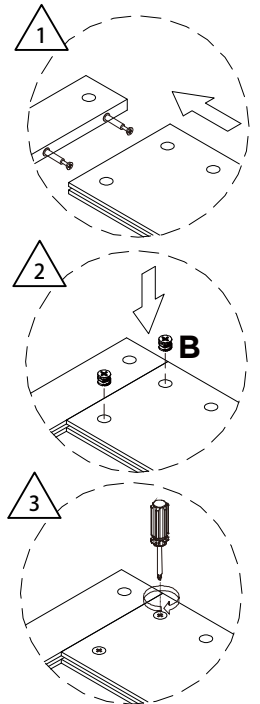
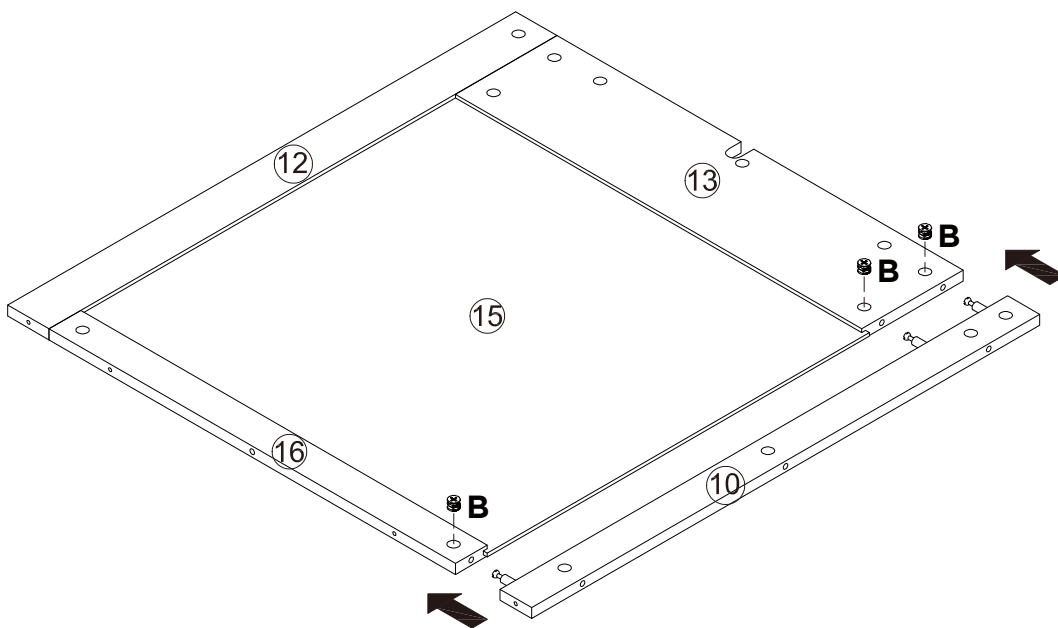


(B)	X3
	
$\Phi 15 \times 9.5 \text{mm}$	

# Step3

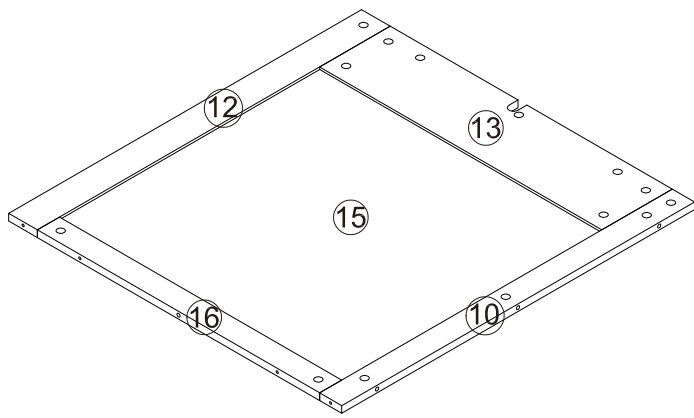


# Step4

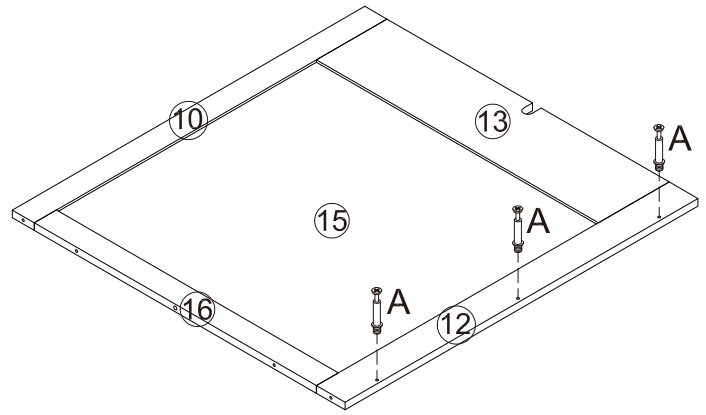


(B)	X3
Φ 15*9.5mm	

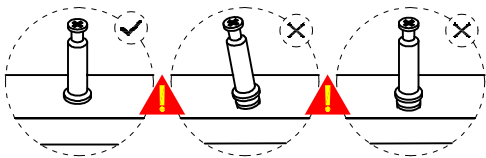
# Step5

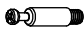


front side

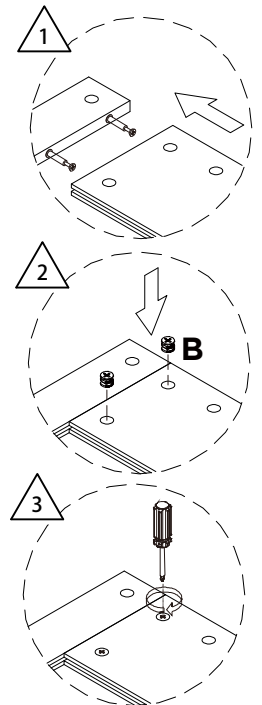
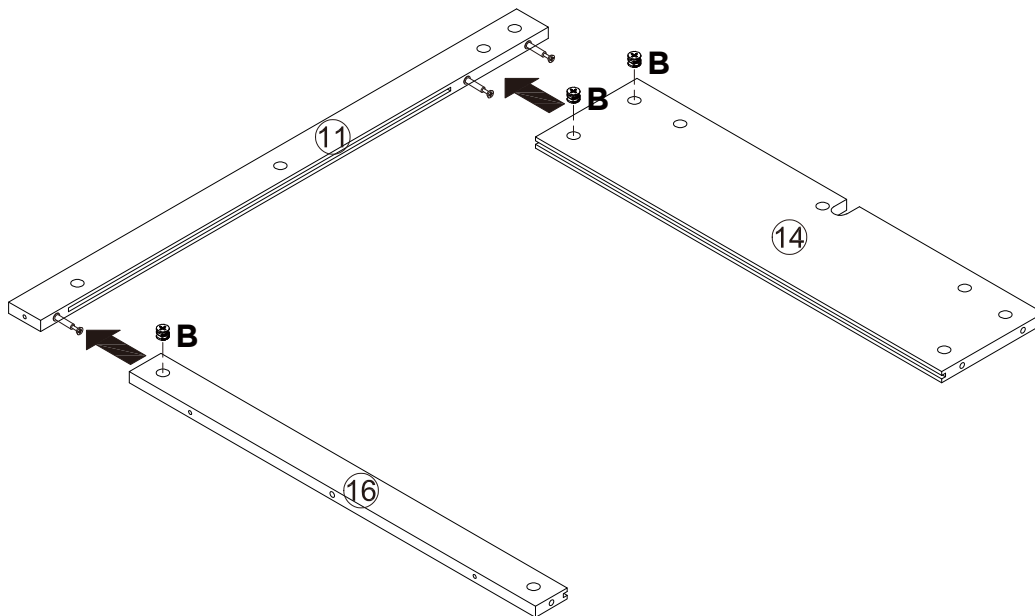



reverse side



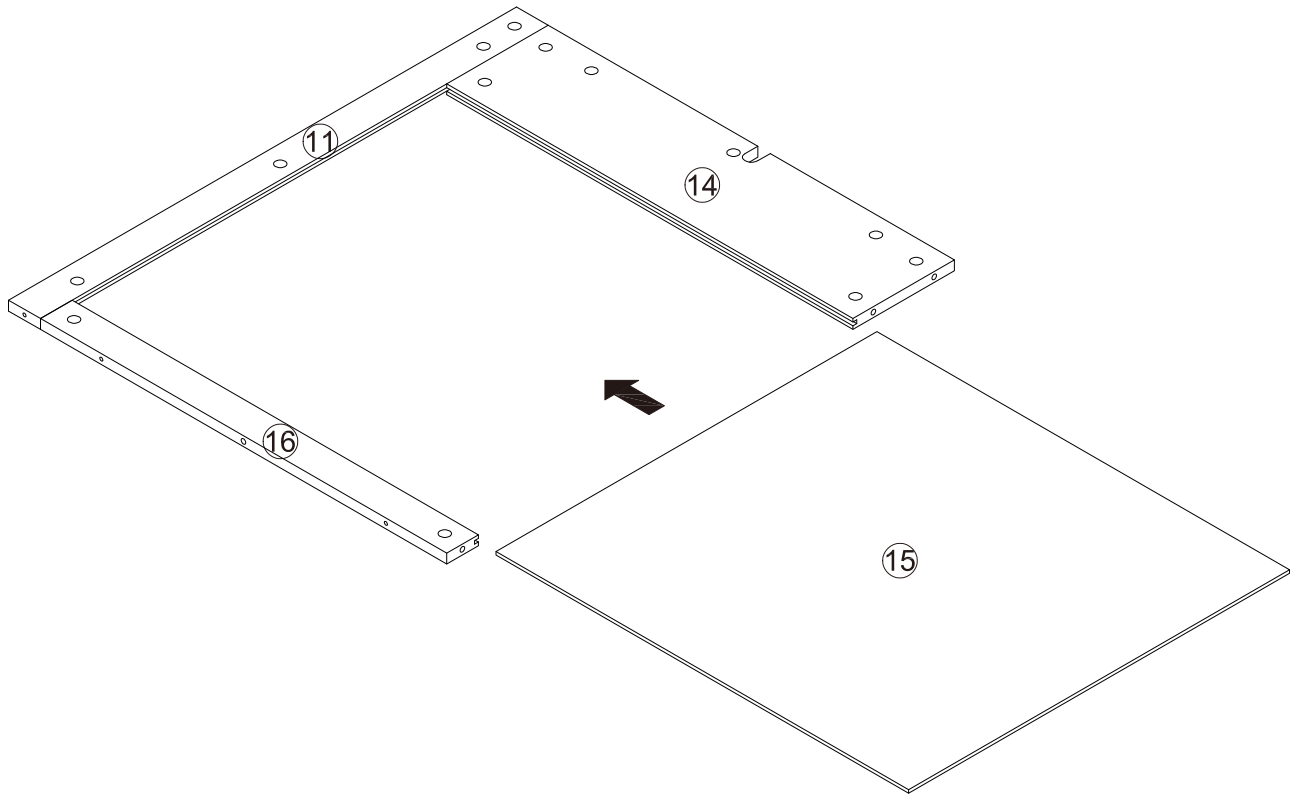
(A)	X3
	
Φ6*35mm	

# Step6

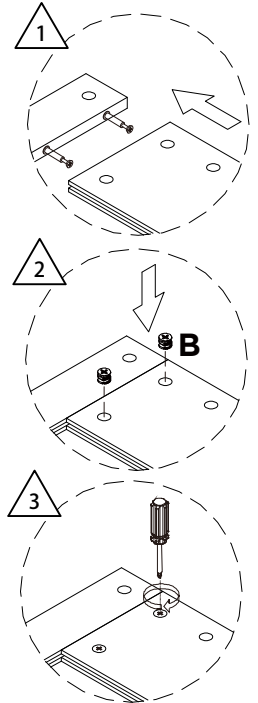
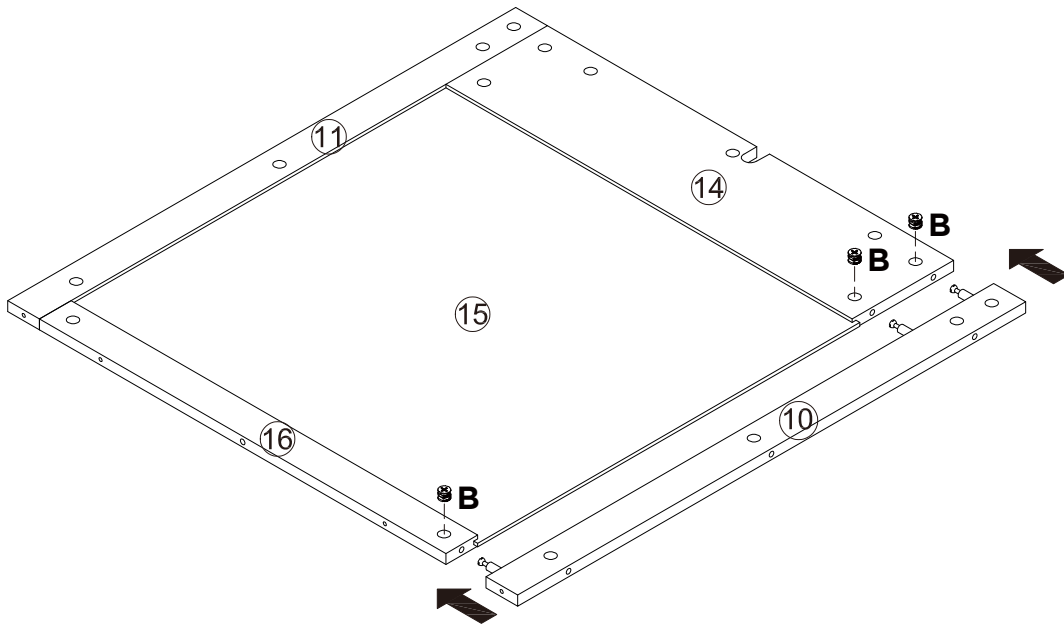


(B)	X3
	
Φ15*9.5mm	

# Step7

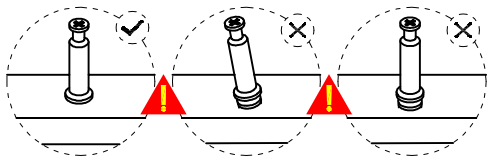
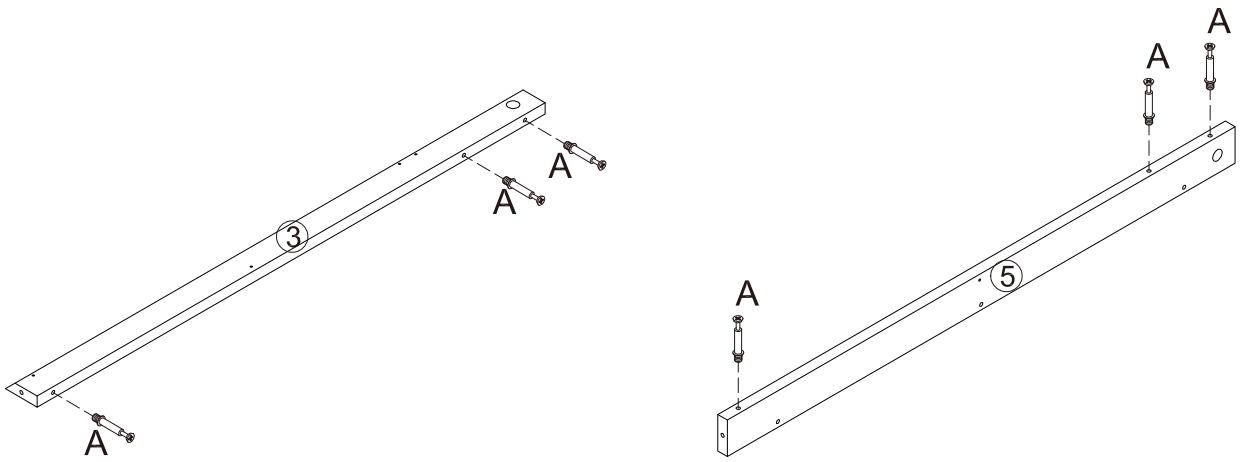


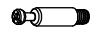
# Step8



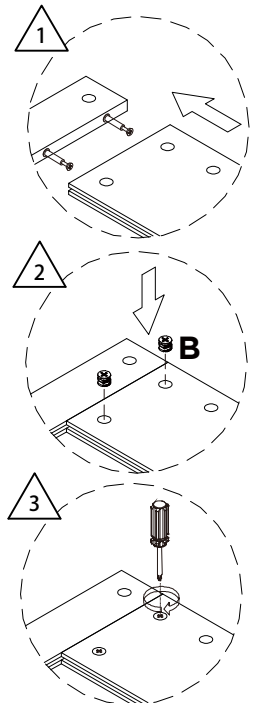
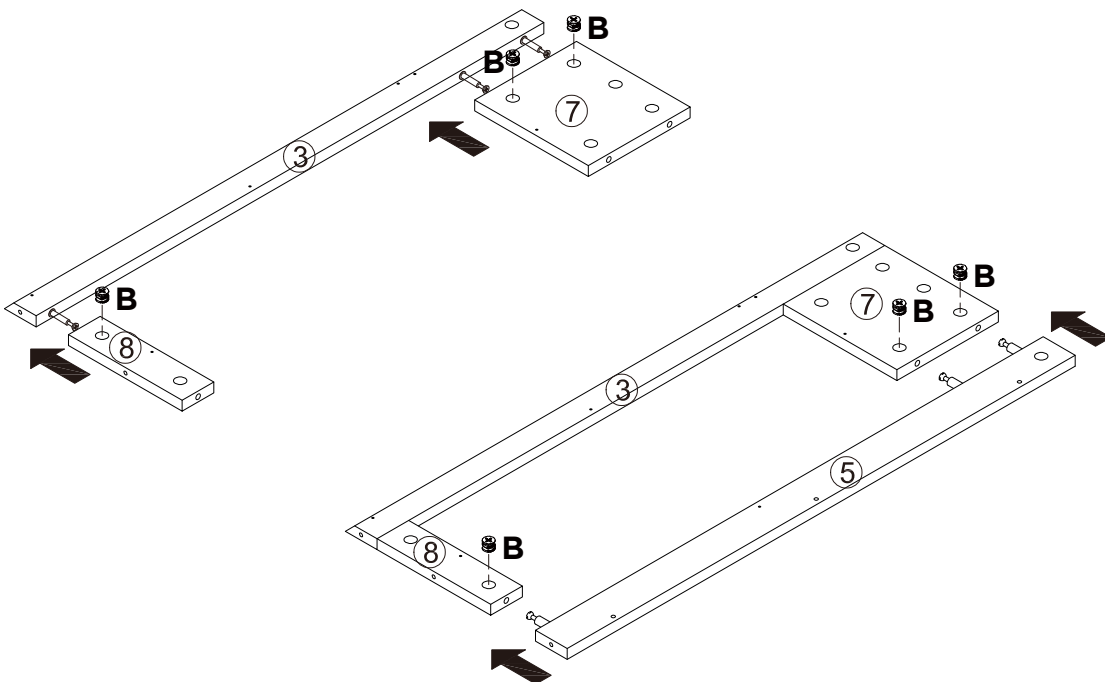
(B)	X3
Φ 15*9.5mm	


# Step 9



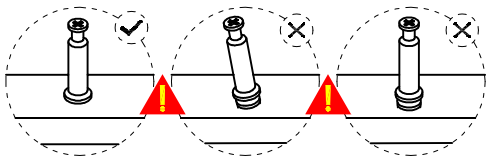
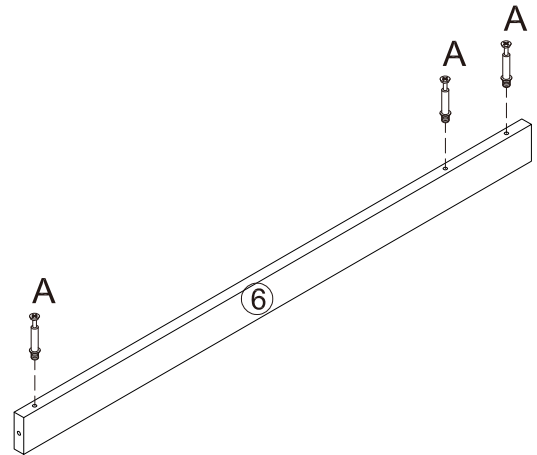
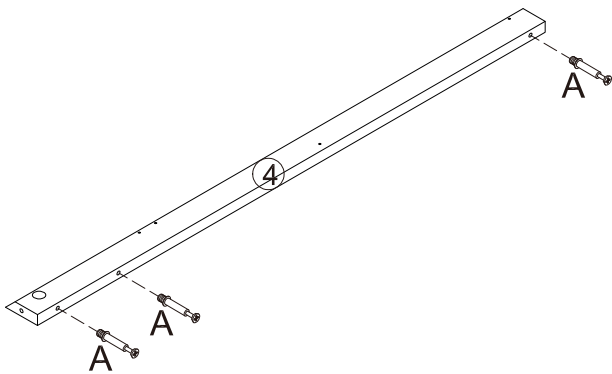
(A)	X6
	
$\Phi 6 \times 35\text{mm}$	

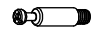
# Step 10



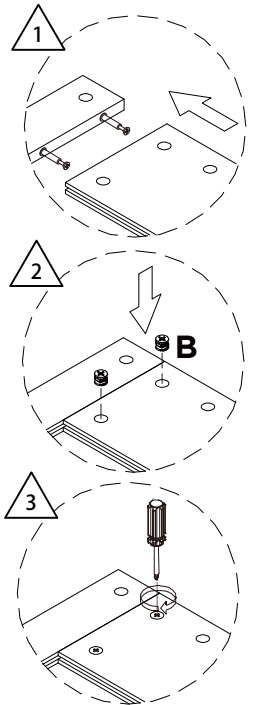
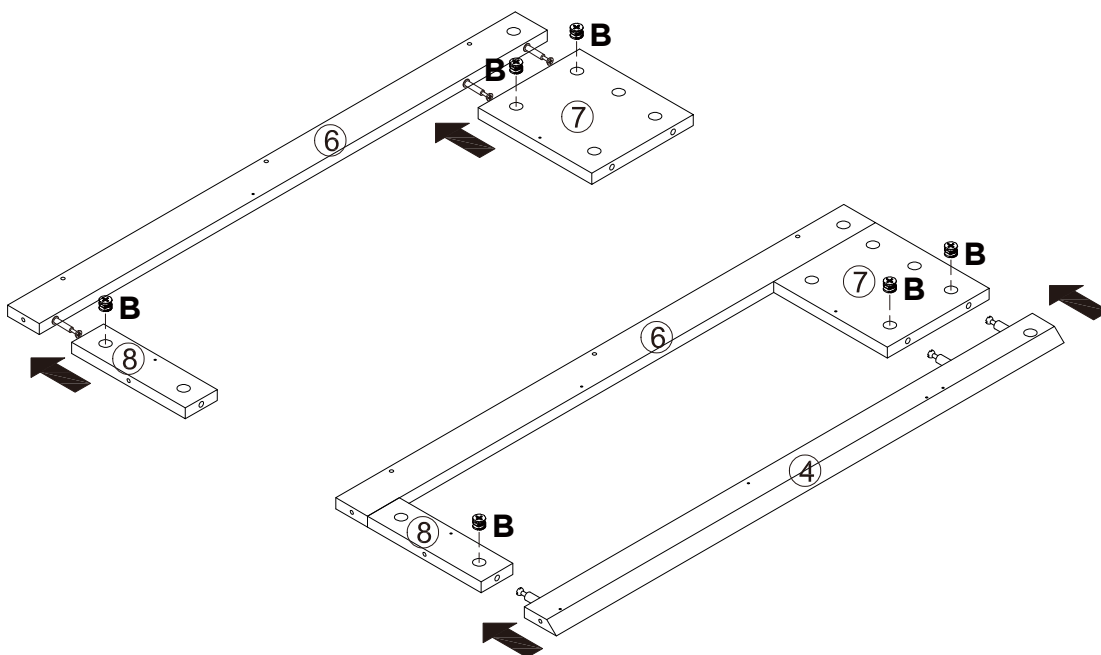
(B)	X6
	
$\Phi 15 \times 9.5\text{mm}$	


# Step 11



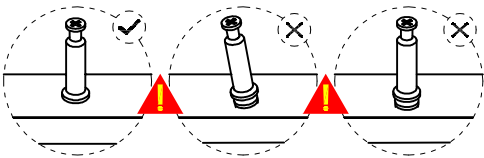
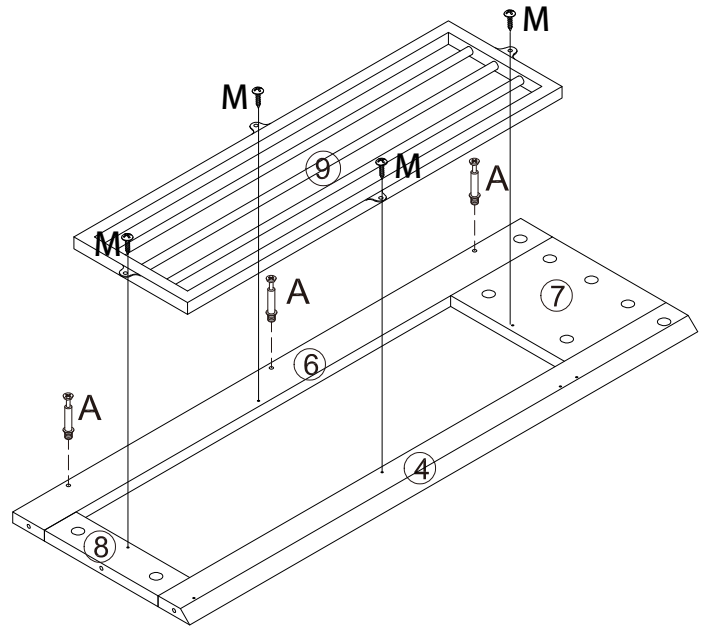
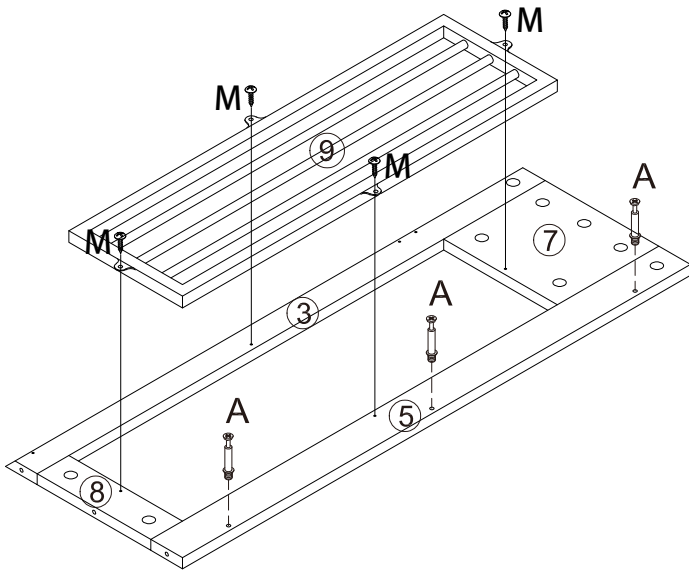
(A)	X6
	
$\Phi 6 \times 35 \text{mm}$	

# Step 12



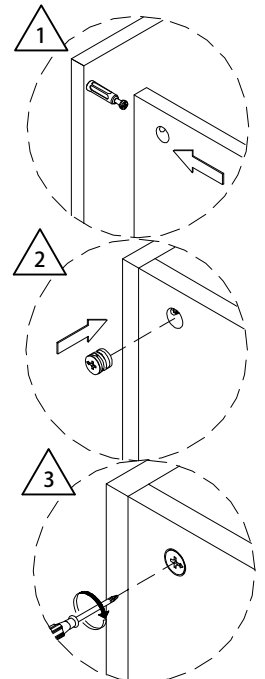
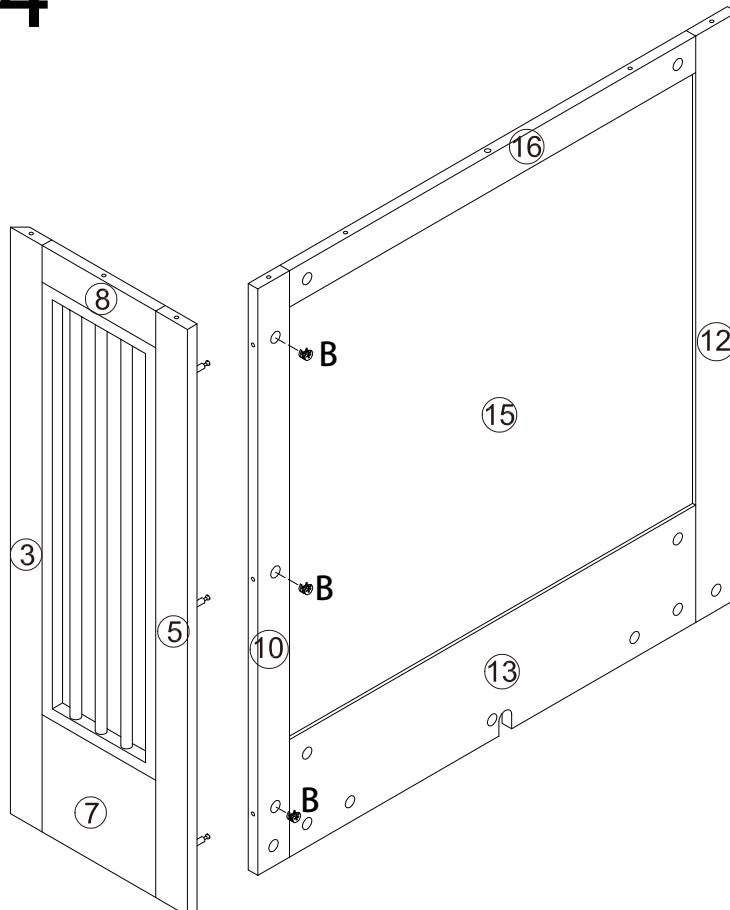
(B)	X6
	
$\Phi 15 \times 9.5 \text{mm}$	

# Step 13



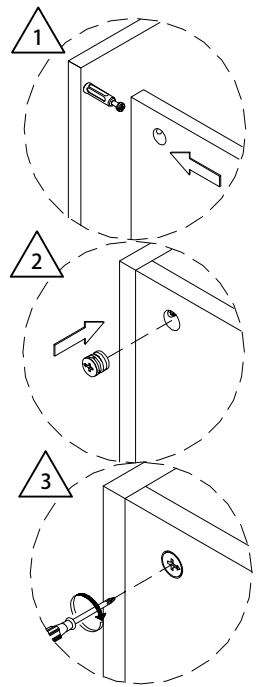
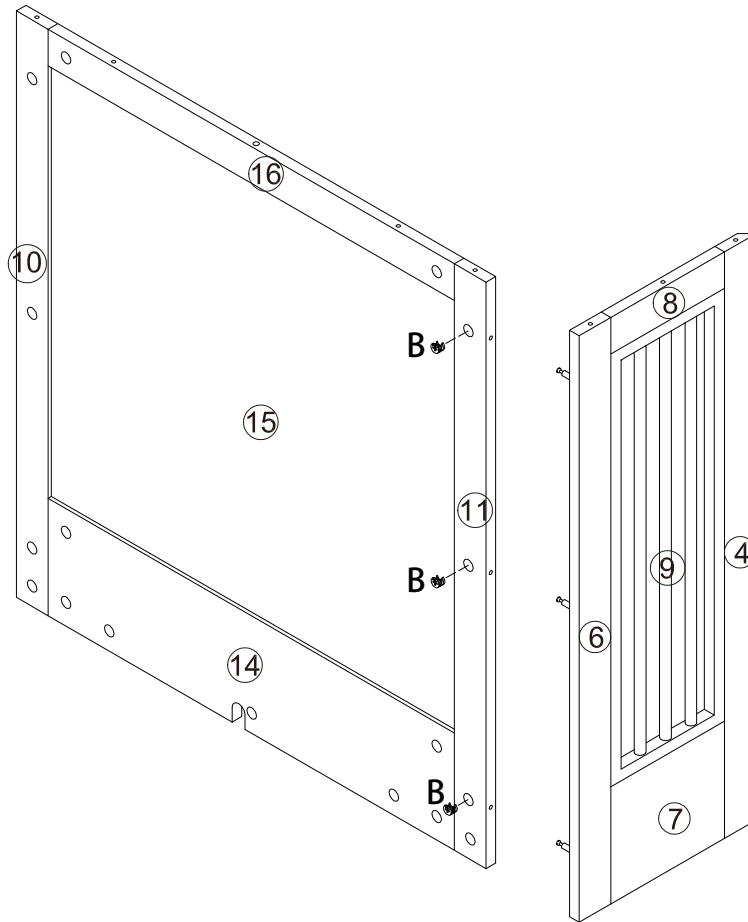
(A)	X6	(M)	X8
Φ6*35mm		ST4*12mm	


# Step 14



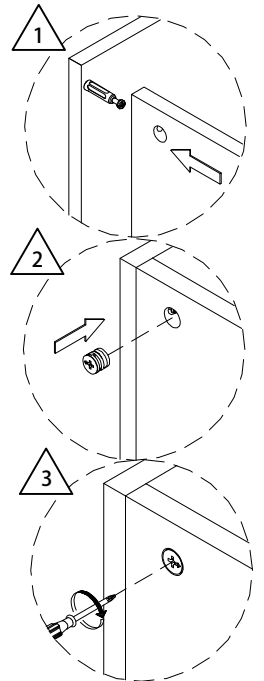
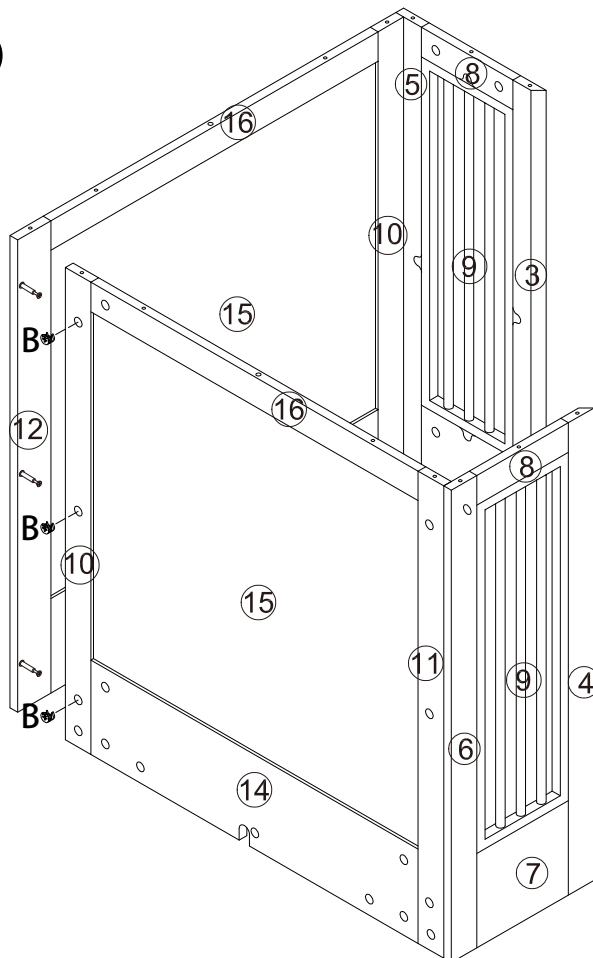
(B)	X3
Φ15*9.5mm	


# Step 15



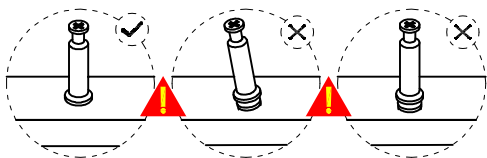
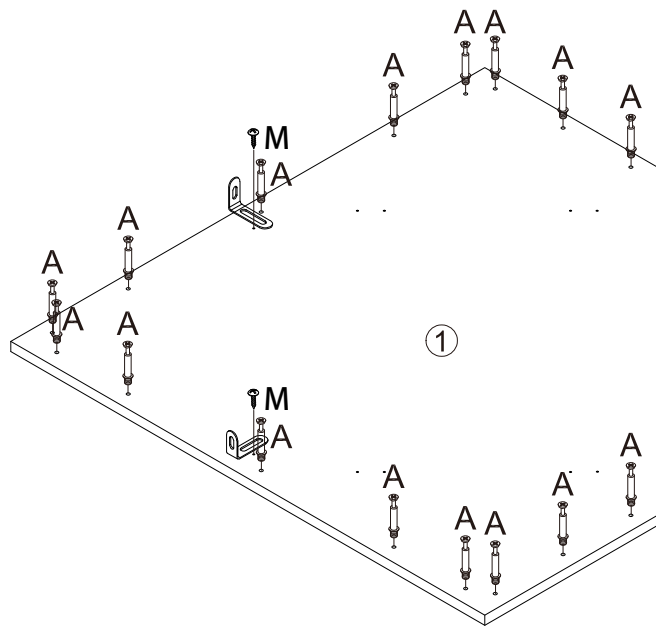
(B)	X3
	
$\phi 15^*9.5\text{mm}$	

# Step 16



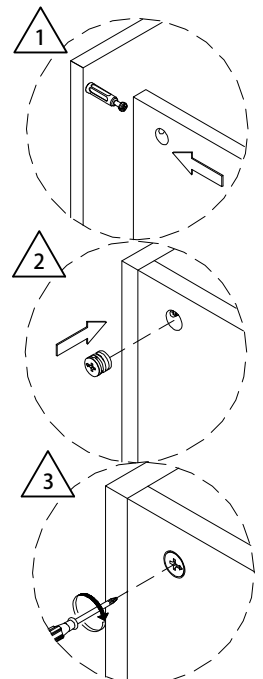
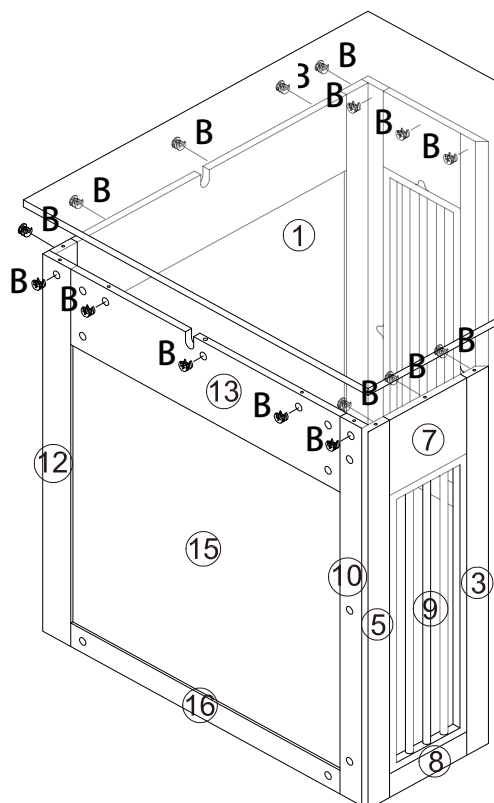
(B)	X3
	
$\phi 15^*9.5\text{mm}$	

# Step 17



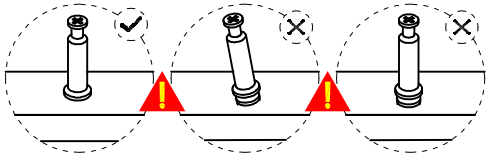
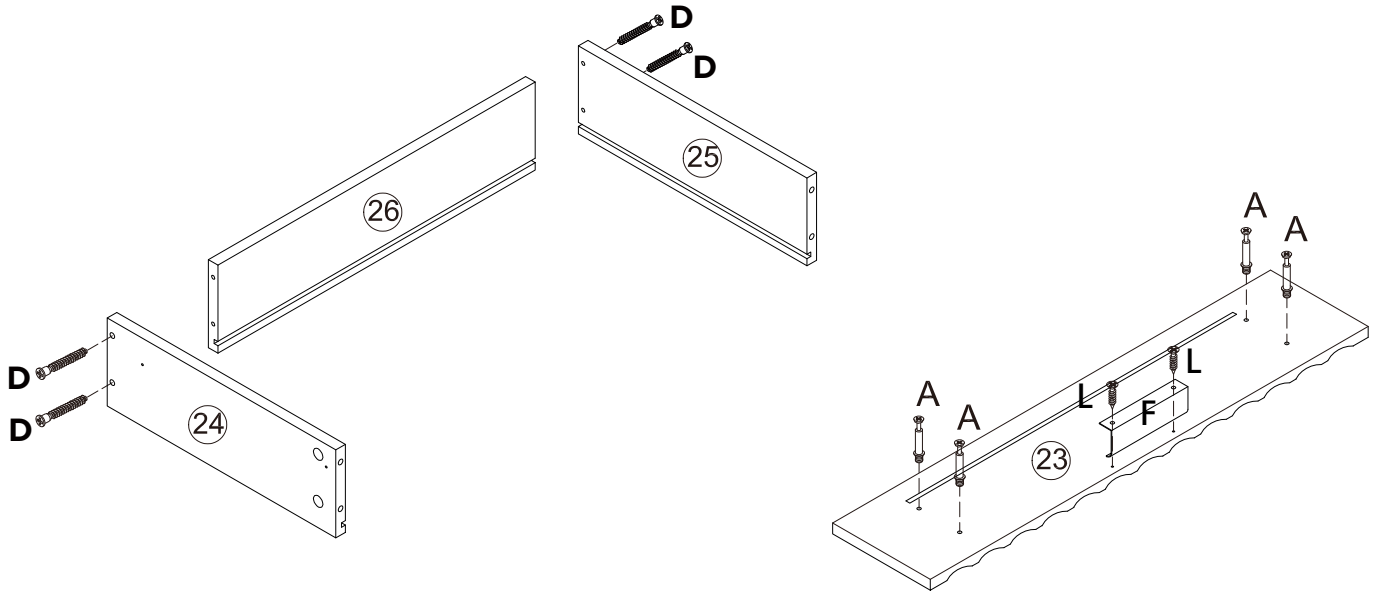
(A)	X16	(J)	X2	(M)	X2
Φ 6*35mm		6*30mm & 4*35mm		ST4*12mm	

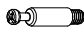

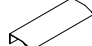

# Step 18



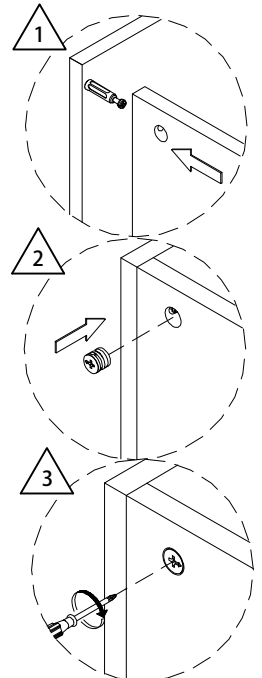
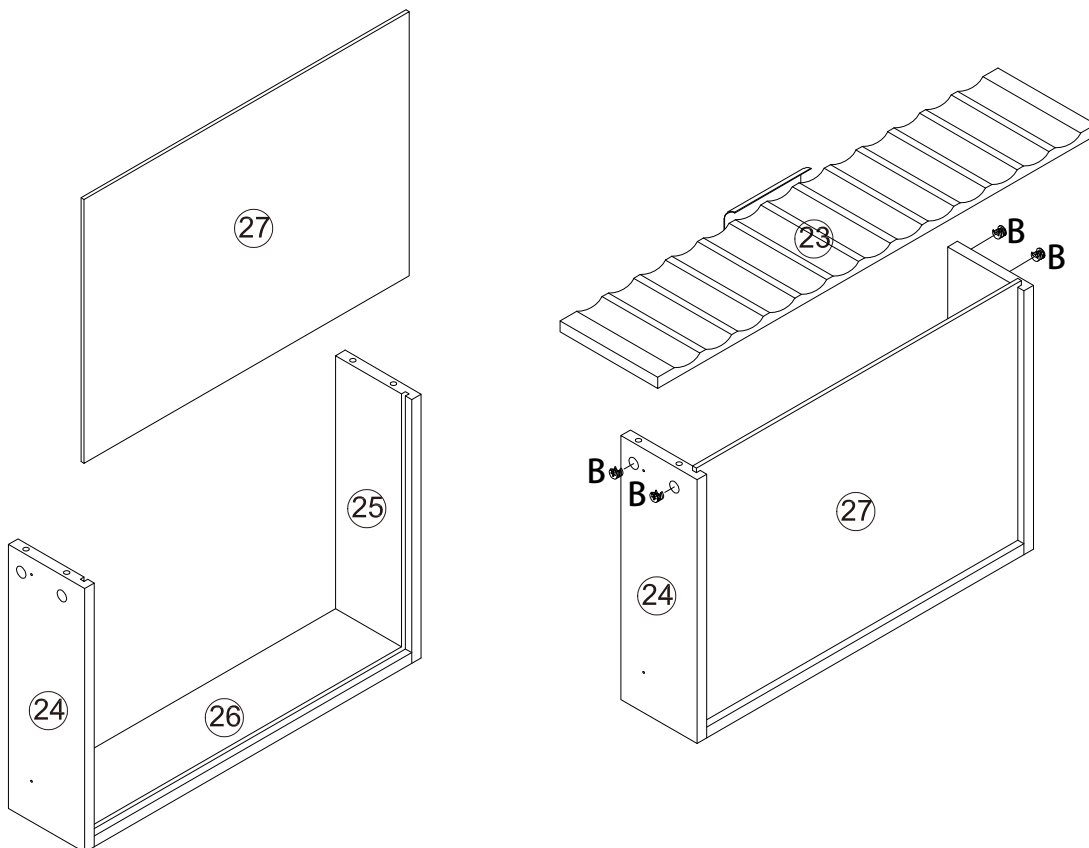
(B)	X16
Φ 15*9.5mm	


# Step 19



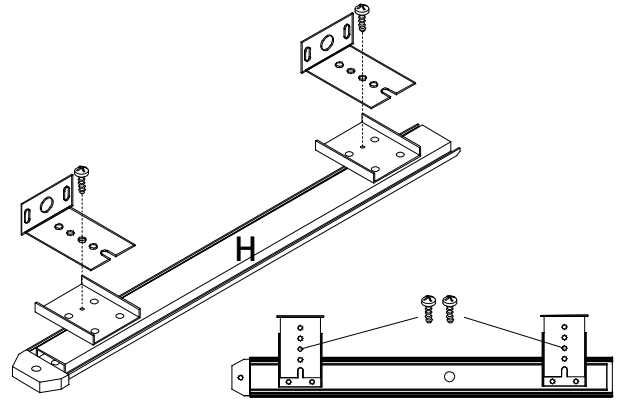
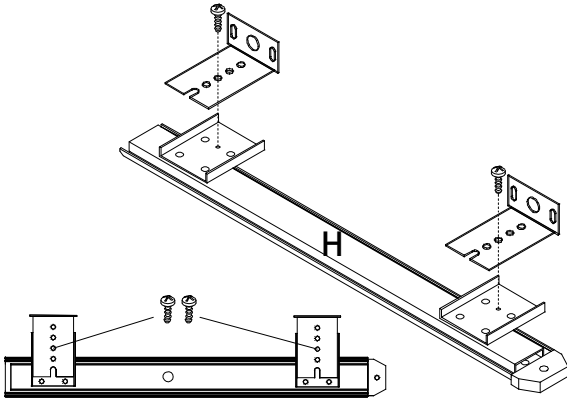
(A)	X4	(D)	X4	(F)	X1	(L)	X2
							
$\Phi 6*35\text{mm}$		$\Phi 5*38\text{mm}$				$ST4*12\text{mm}$	

# Step 20

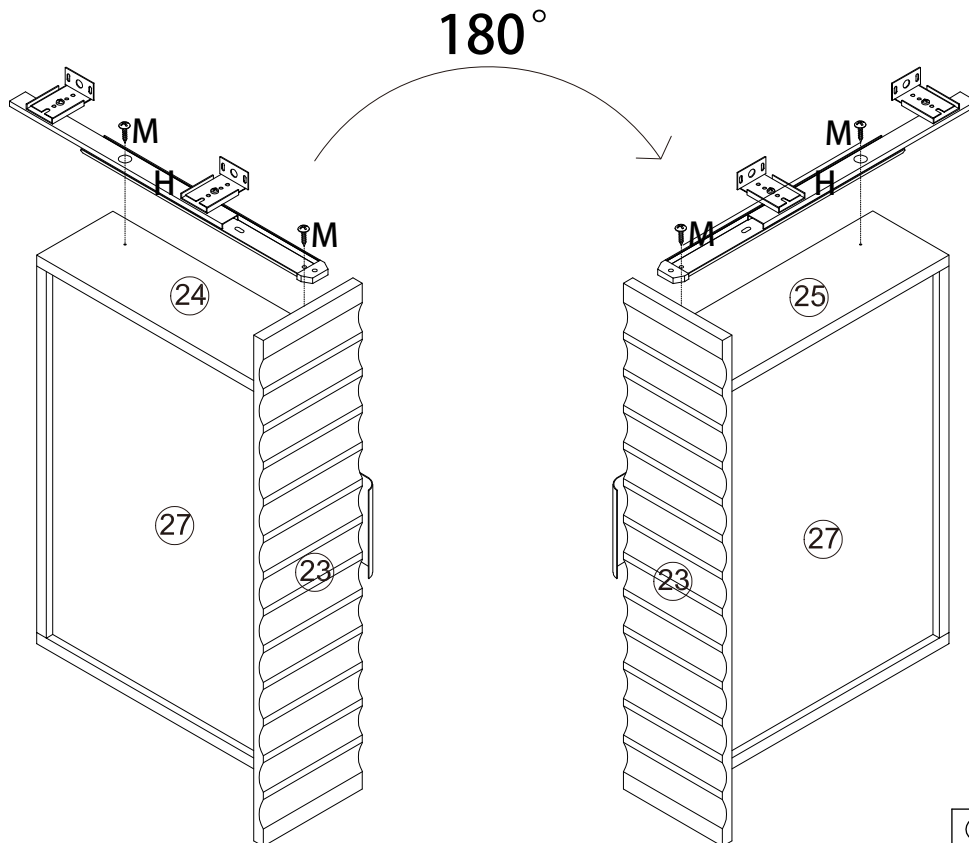
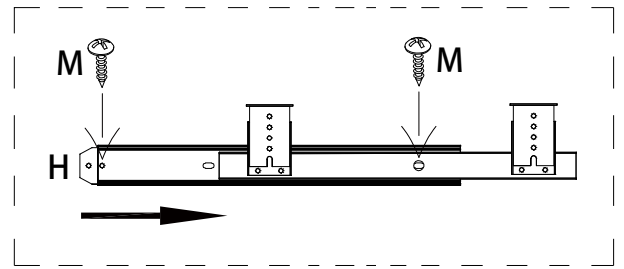
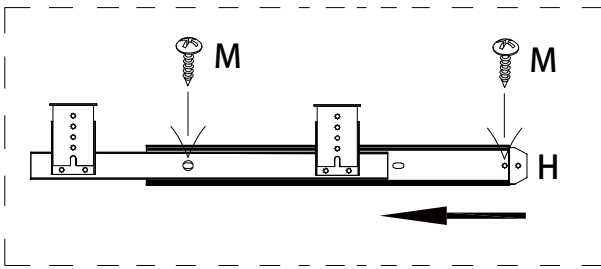


(B)	X4
	
$\Phi 15*9.5\text{mm}$	

# Step21

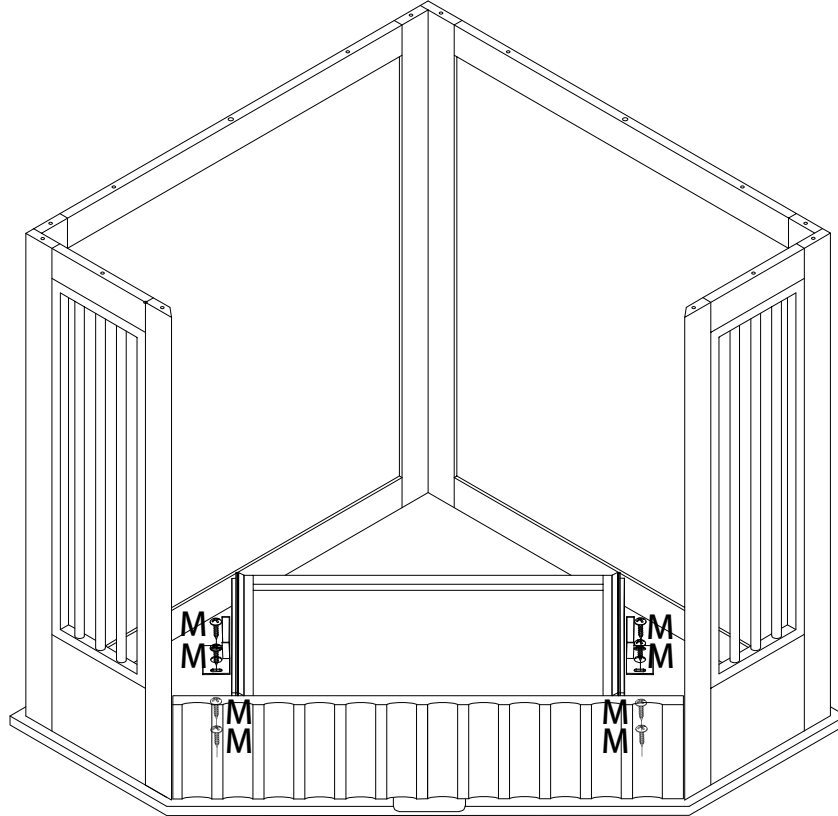
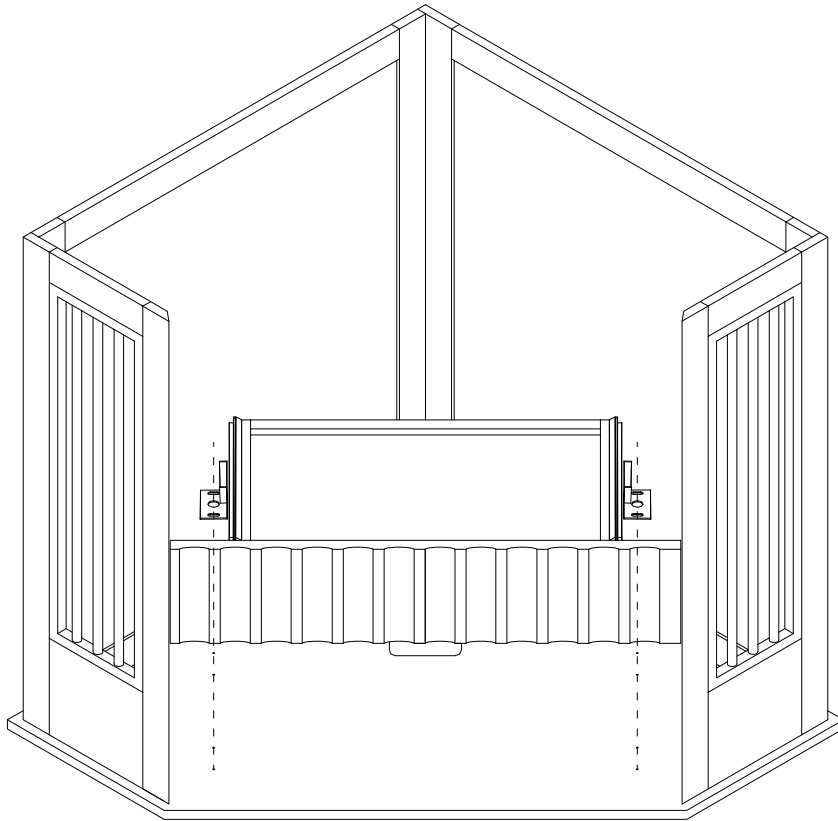


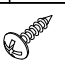
# Step22



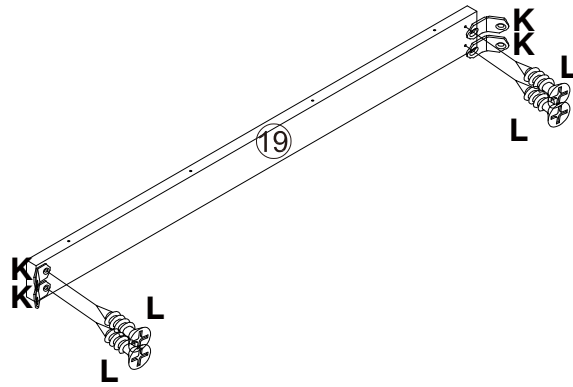
(H)	X1	(M)	X4
		ST4*12mm	



# Step23



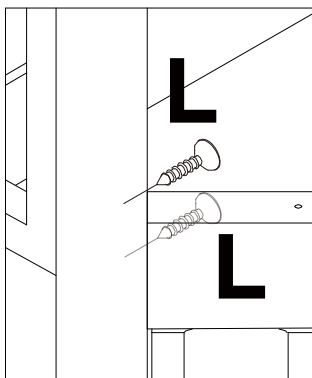
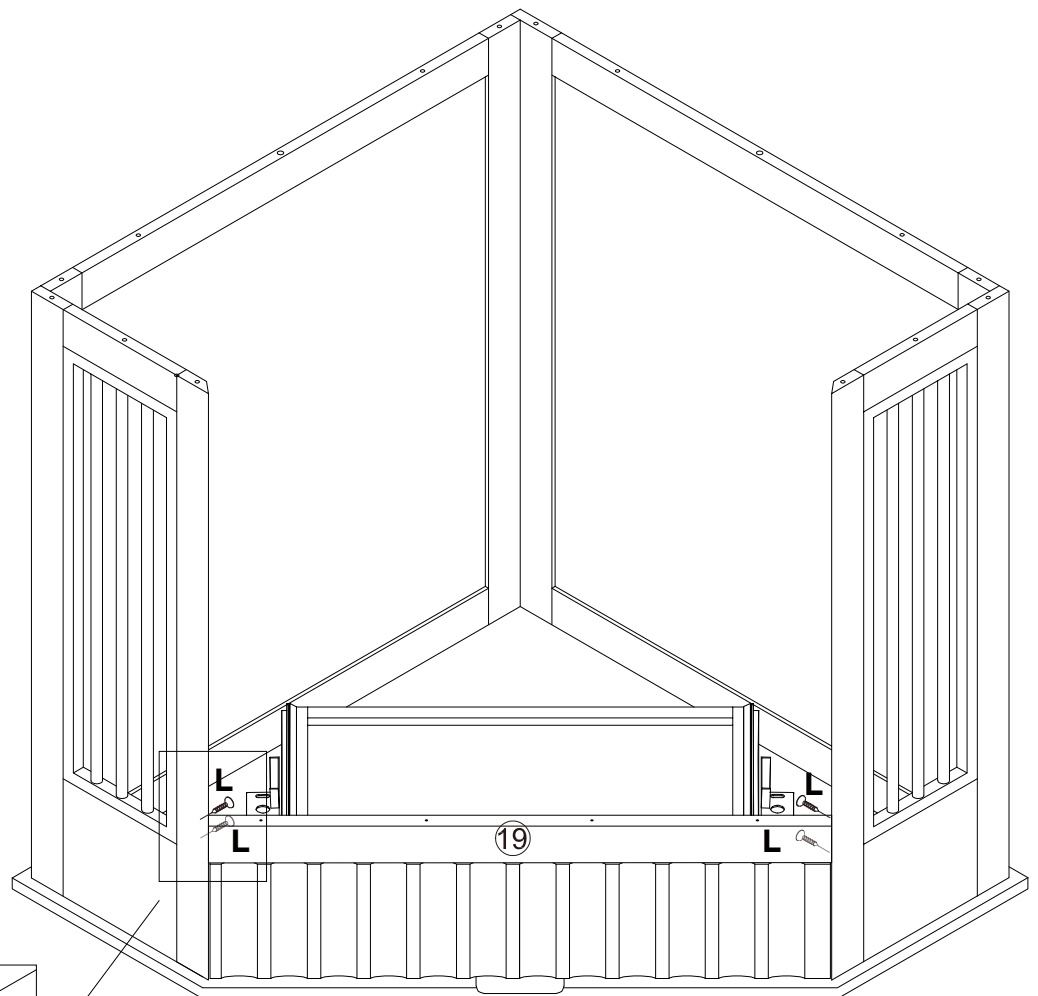
(M)	X8
	
ST4*12mm	


# Step24



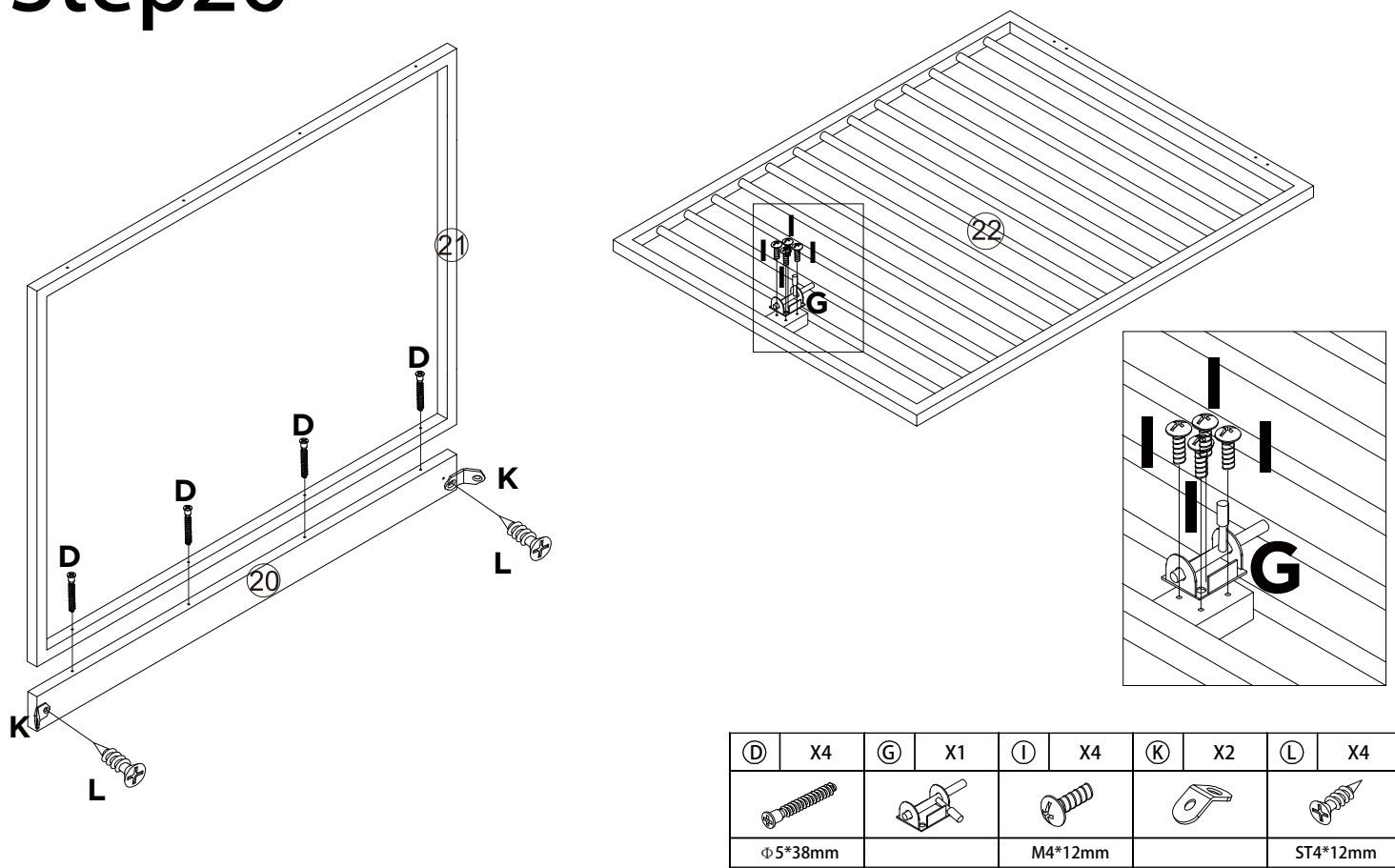
(K)	X4	(L)	X4
			
		ST4*12mm	

# Step25

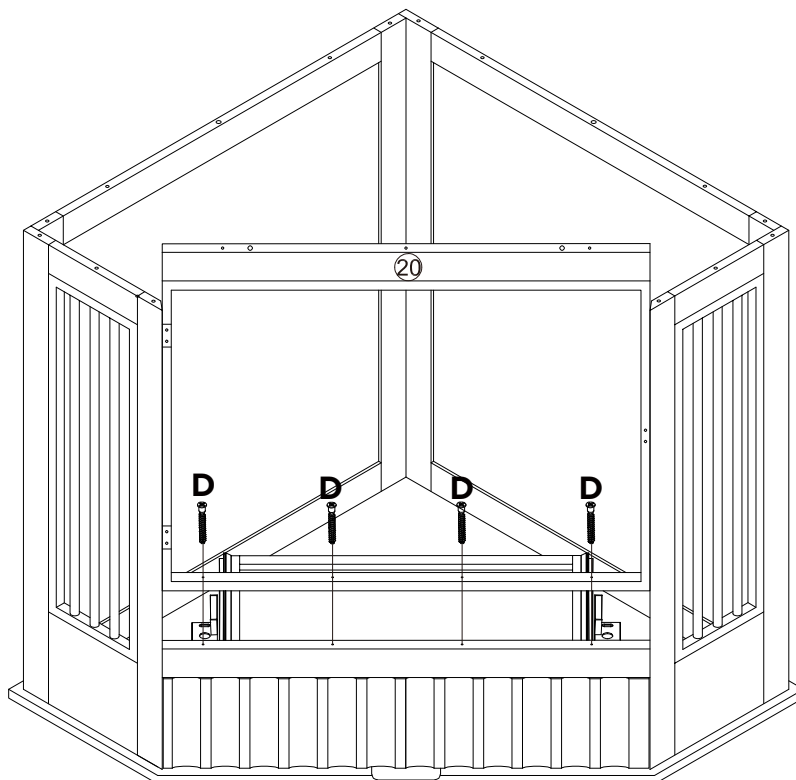


(L)	X4
	
ST4*12mm	

# Step26

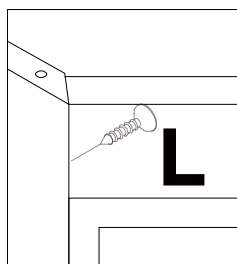
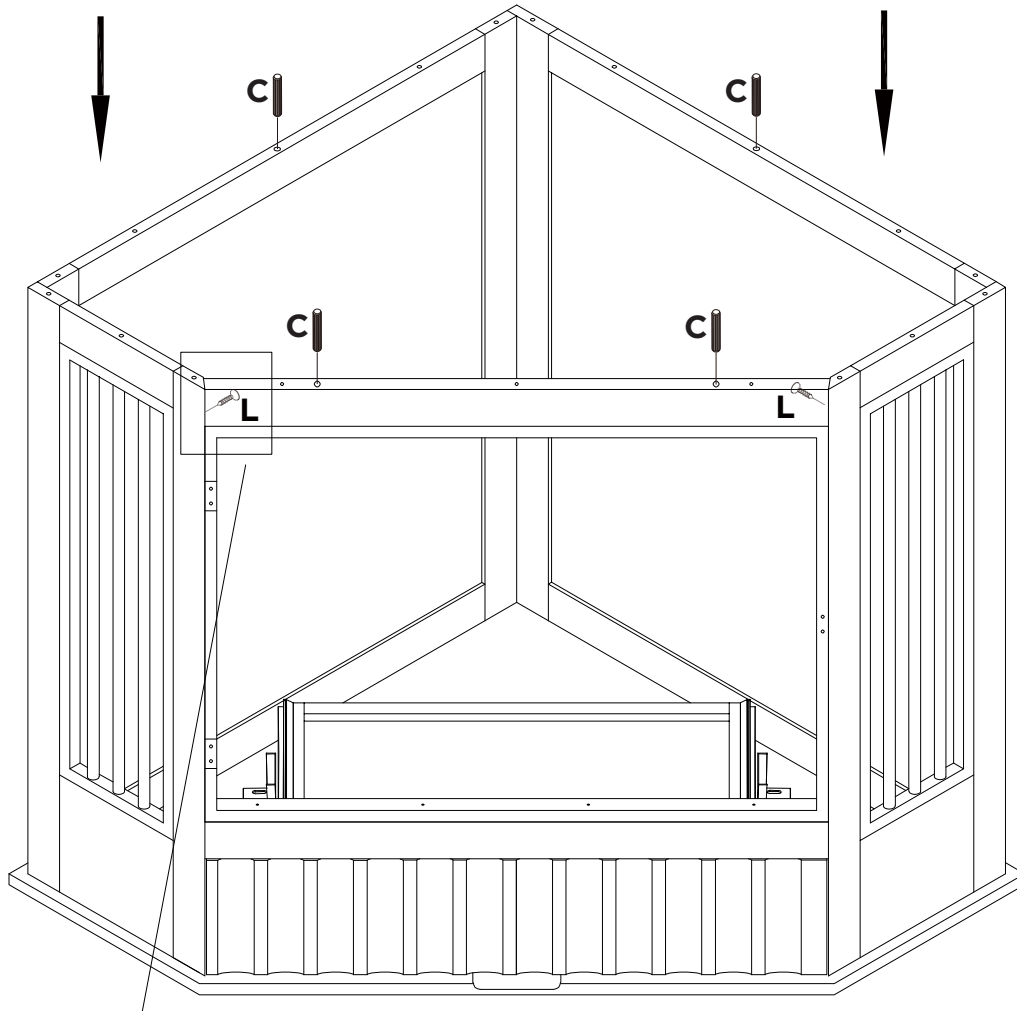
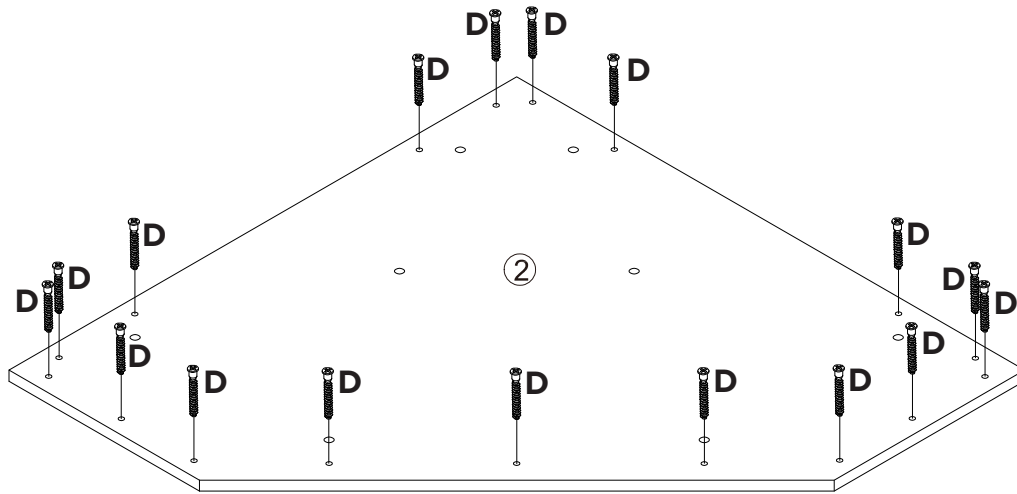



# Step27



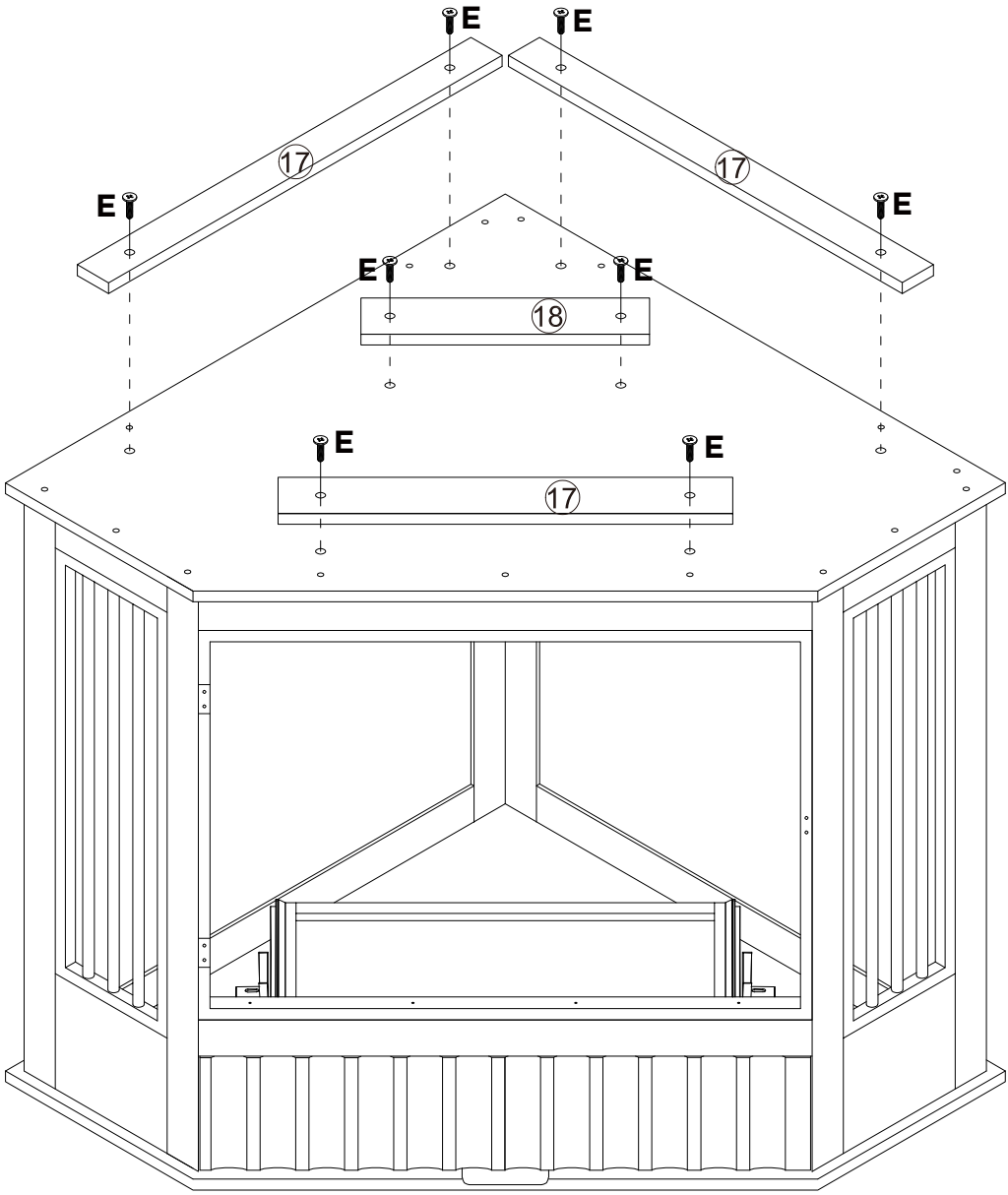
(D)	X4
	Φ5*38mm

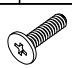
# Step28



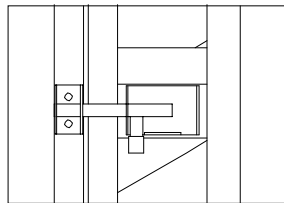
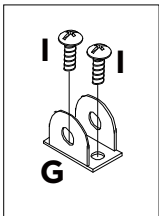
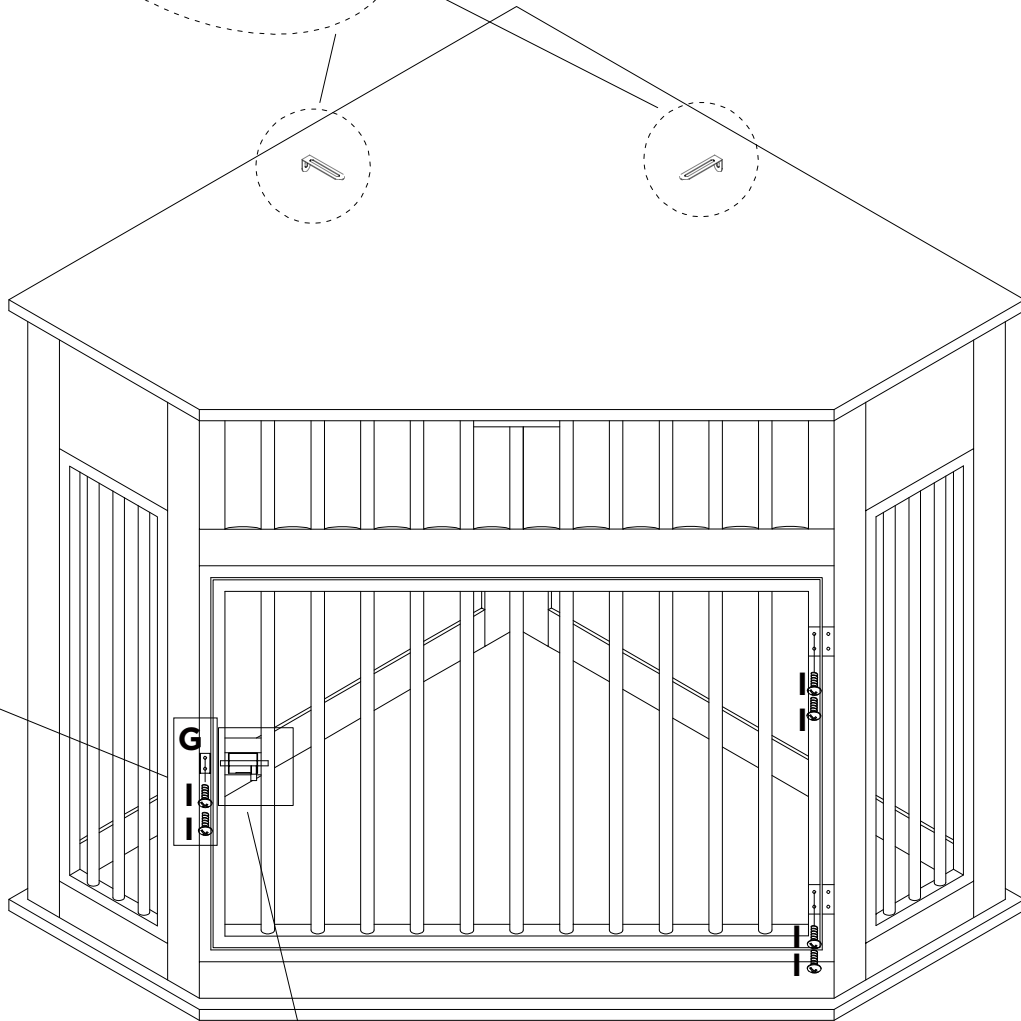
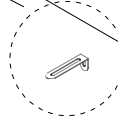
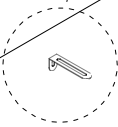
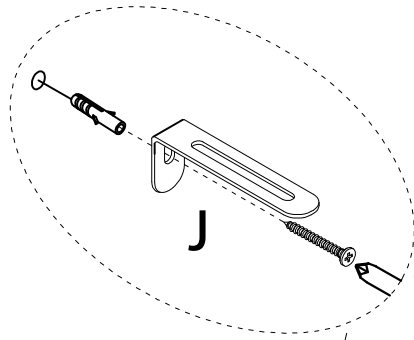
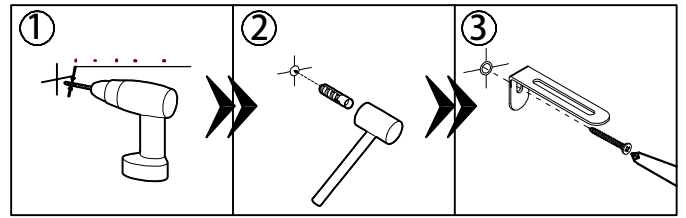
ⓐ	X4	ⓓ	X17	Ⓛ	X2
					
Φ8*40mm		Φ5*38mm		ST4*12mm	

# Step29



(E)	X8
	
M6*20mm	

# Step30



(G)	X1	(I)	X6	(J)	X2
		M4*12mm		6*30mm & 4*35mm	