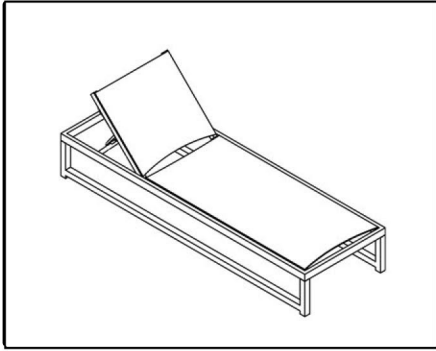


ASSEMBLY INSTRUCTIONS



+ Parts Included

- ① Seat & Back Frame
(1 pcs)



- ② Leg
(2 pcs)



+ Do Not Use
Power Tools



+ Suggested
Adults



NOTE:

- 1 Read instructions cover to cover.
- 2 Save all packaging until assembly is completed.

1 IMPORTANT SAFETY INFORMATION

Do not assemble the product if any of the following parts arrived damaged:

Part #1 - Seat & Back Frame

Part #2 - Leg

2 IMPORTANT ASSEMBLY INFORMATION

Assembly Step Use A, B, C, D to connect Part 1 to Part 2

+ Hardware Included

- A Screw Stem
(4 pcs)



Dia10x280mm

- B Nut
(8 pcs)



- C Gasket
(8 pcs)



- D Spring Washer
(8 pcs)



- E Spanner
(1 pcs)



- F Foot Cap
(4 pcs)



ASSEMBLY INSTRUCTIONS

