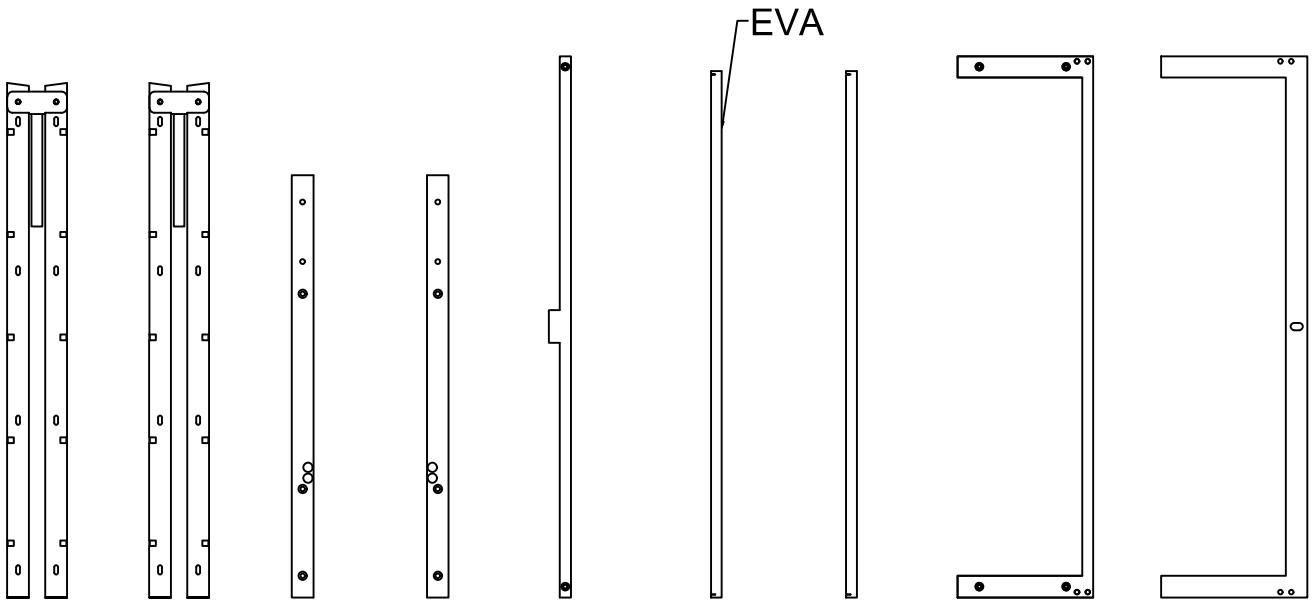


Model: C267-T-BK+PK

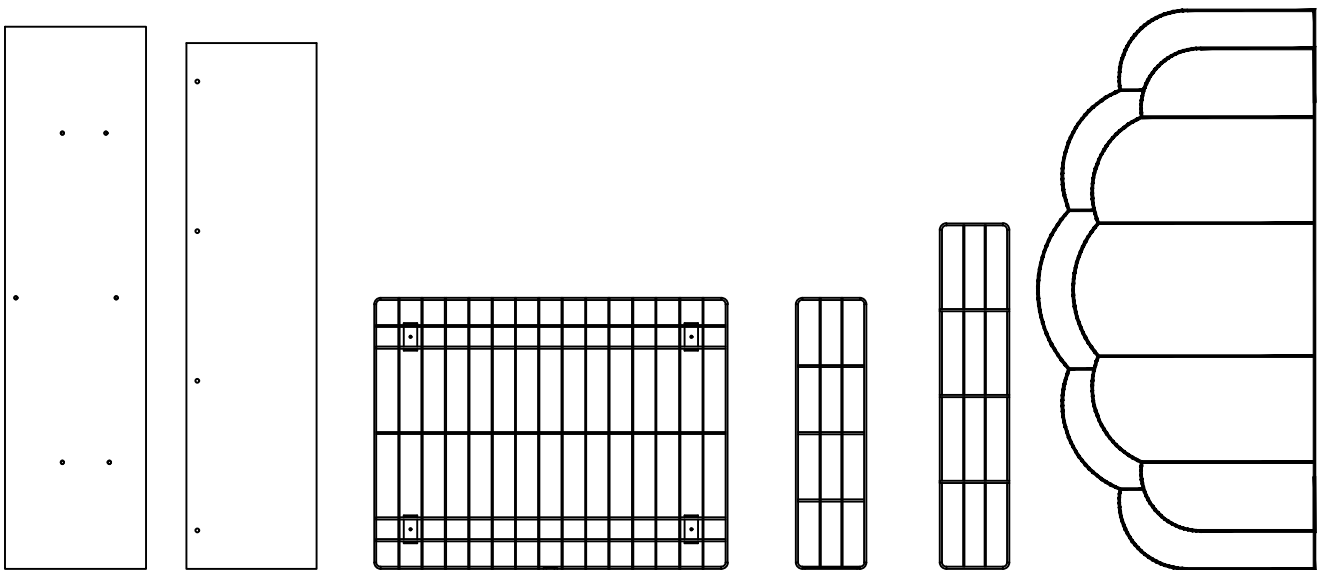
PRODUCT GUIDE AND INSTALLATION MANUAL



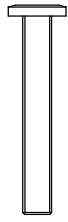
Parts List



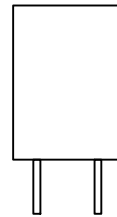
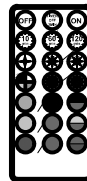
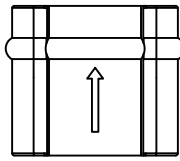
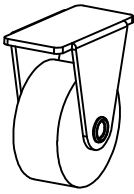
A1	A2	B1	B2	C1	C2	C3	D1	D2
1pcs	1pcs	1pcs	1pcs	1pcs	4pcs	6pcs	1pcs	1pcs



E1	E2	F	F1	F2	G
1pcs	4pcs	1 pcs	2pcs	1pcs	1pcs



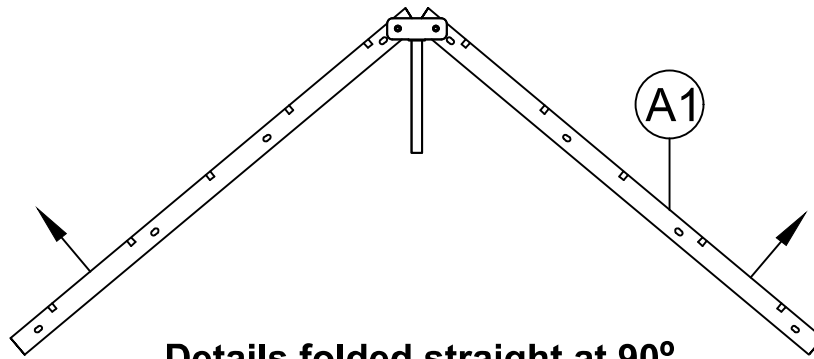
H1	H2	H3	H4	U
14pcs	1pcs	5pcs	20pcs	4pcs
M8x35mm	M6x8mm	M6x15mm	M6x30mm	M4x6mm



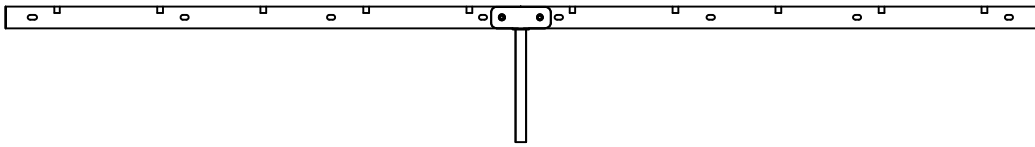
U1	U2	Q	Remote	Charger Adapter
4 pcs	1pcs	11 pcs	1pcs	1pcs

ASSEMBLY

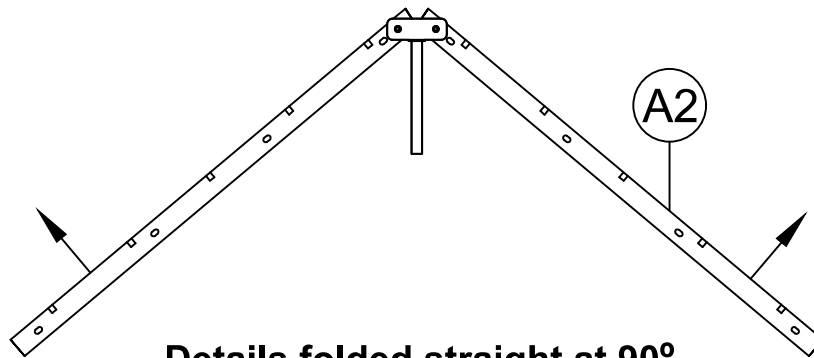
STEP 1



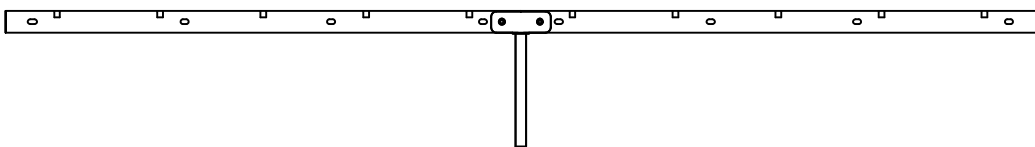
Details folded straight at 90°



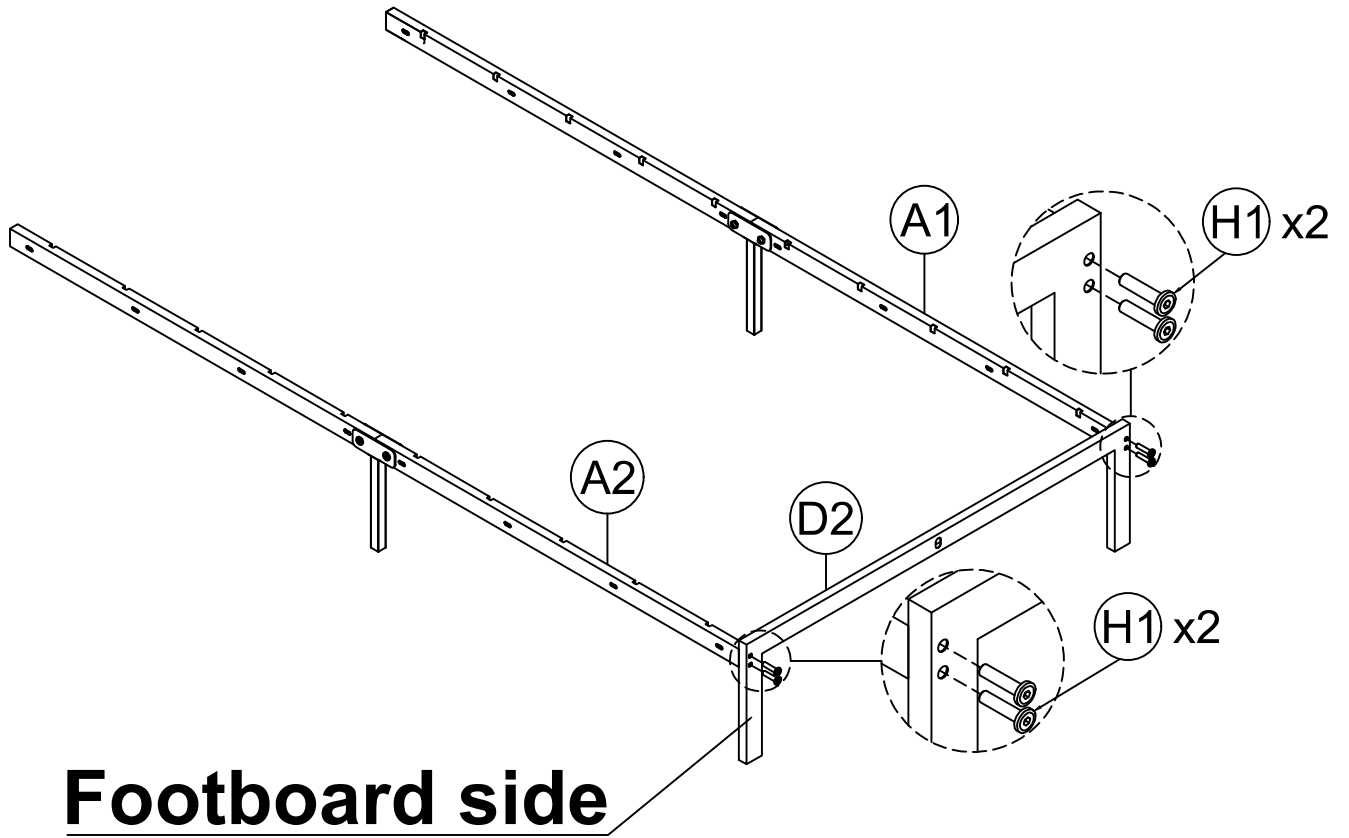
STEP 2



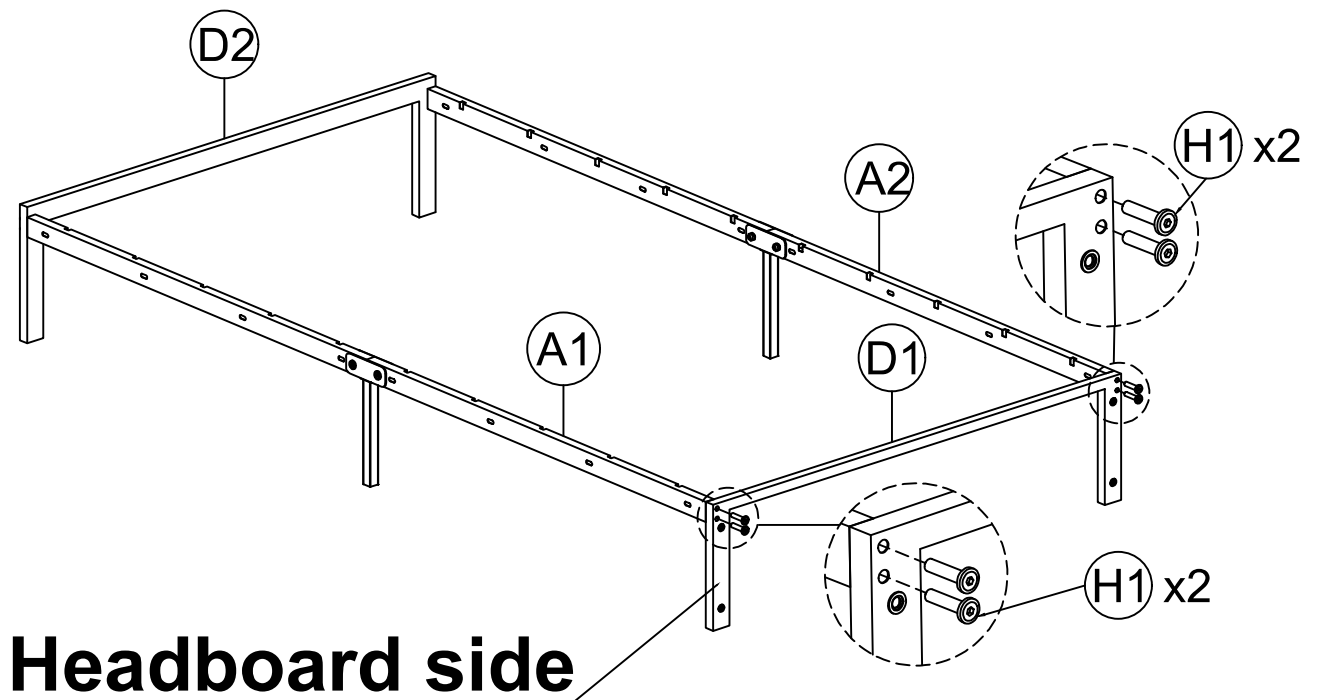
Details folded straight at 90°



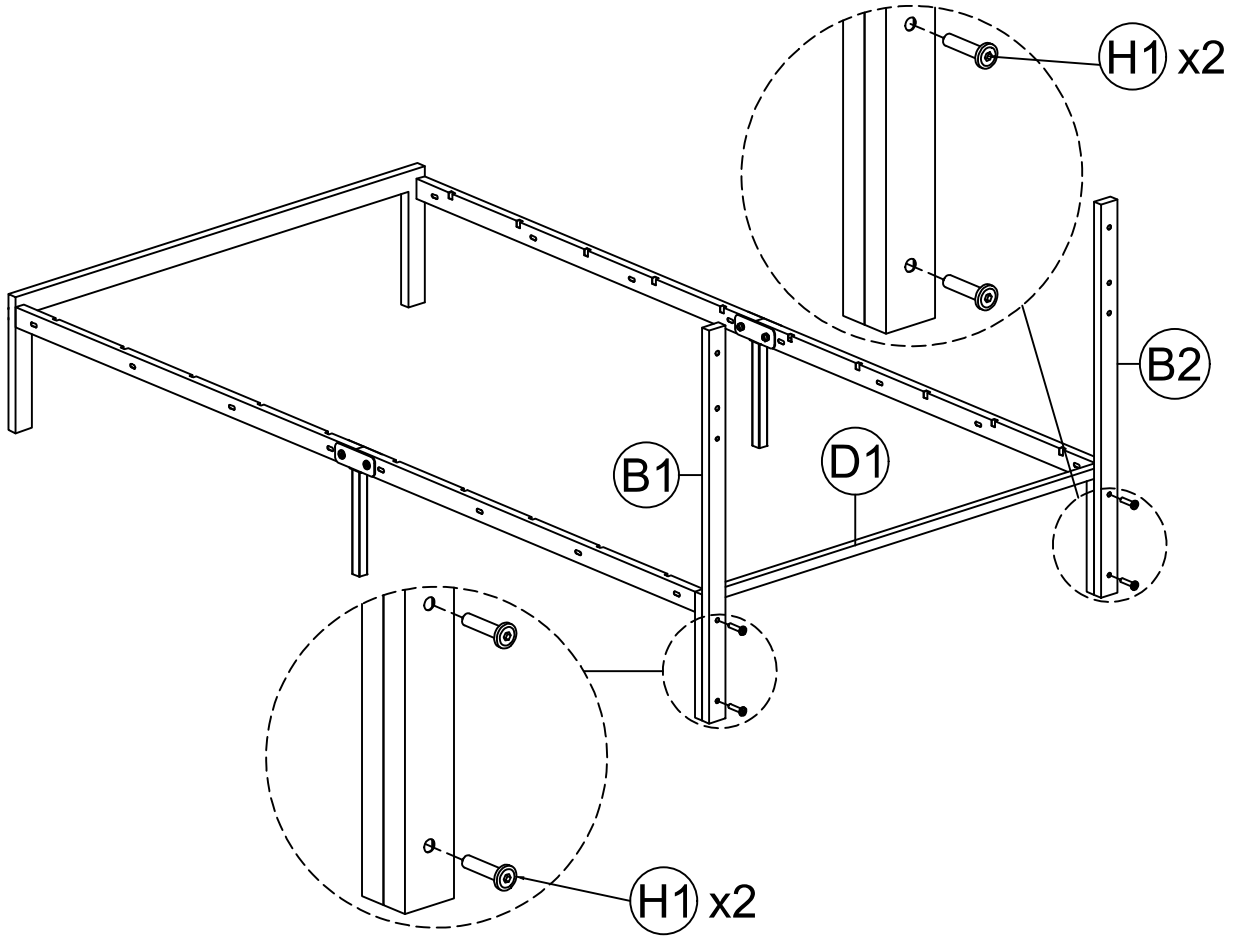
STEP 3



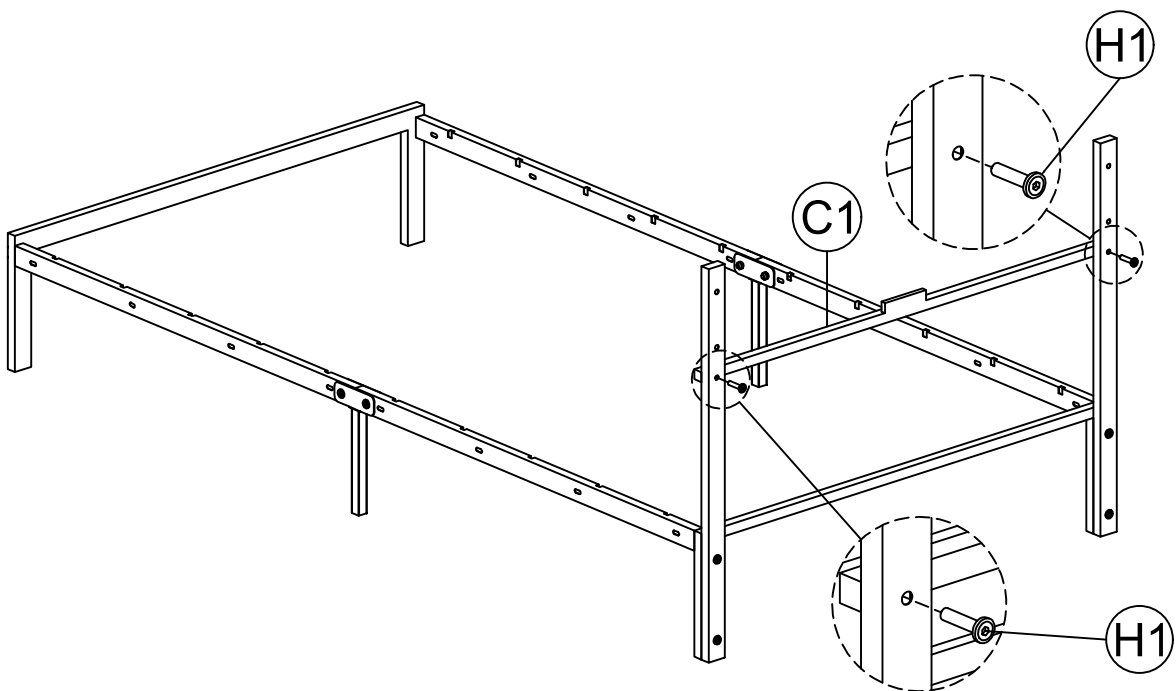
STEP 4



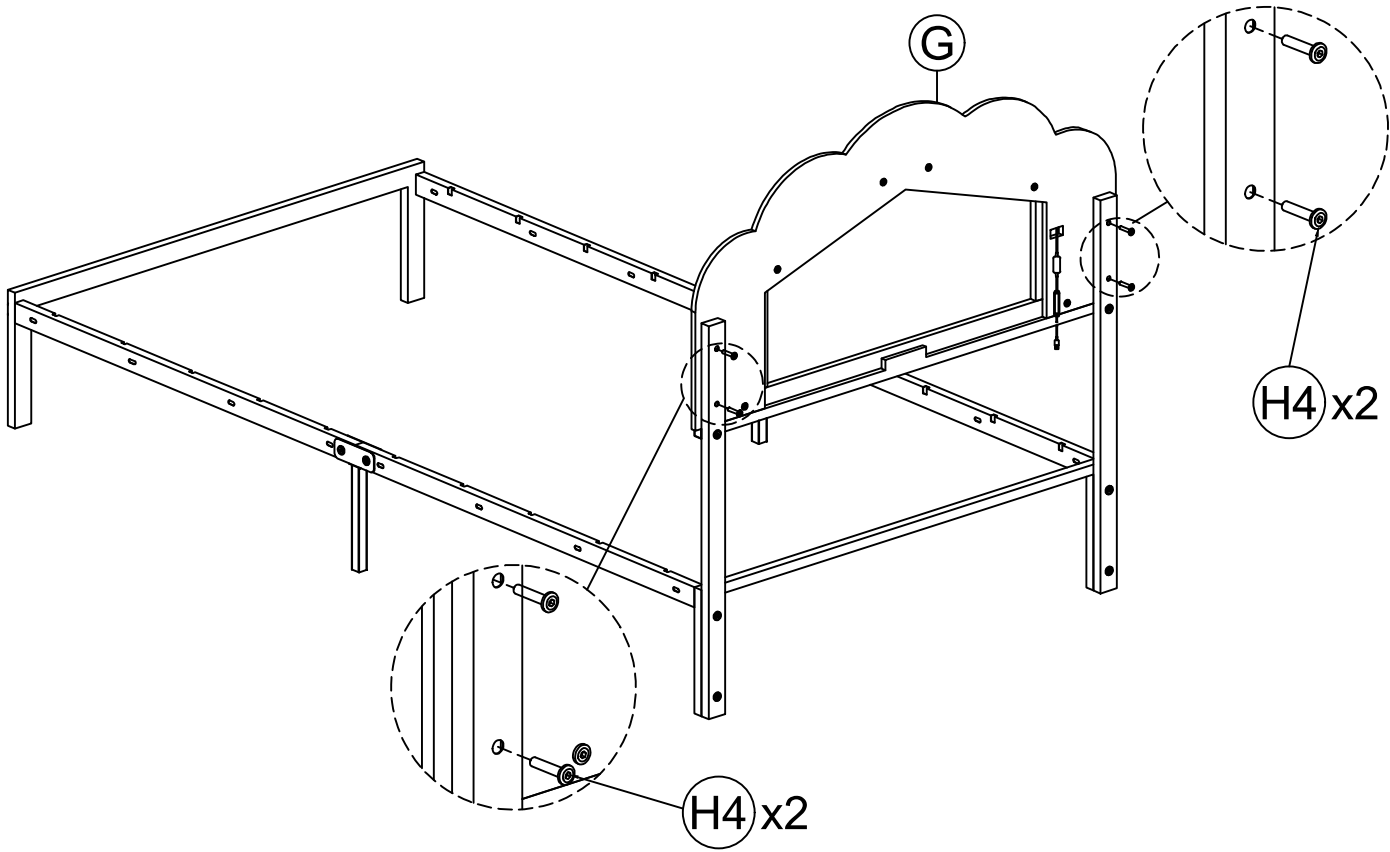
STEP 5



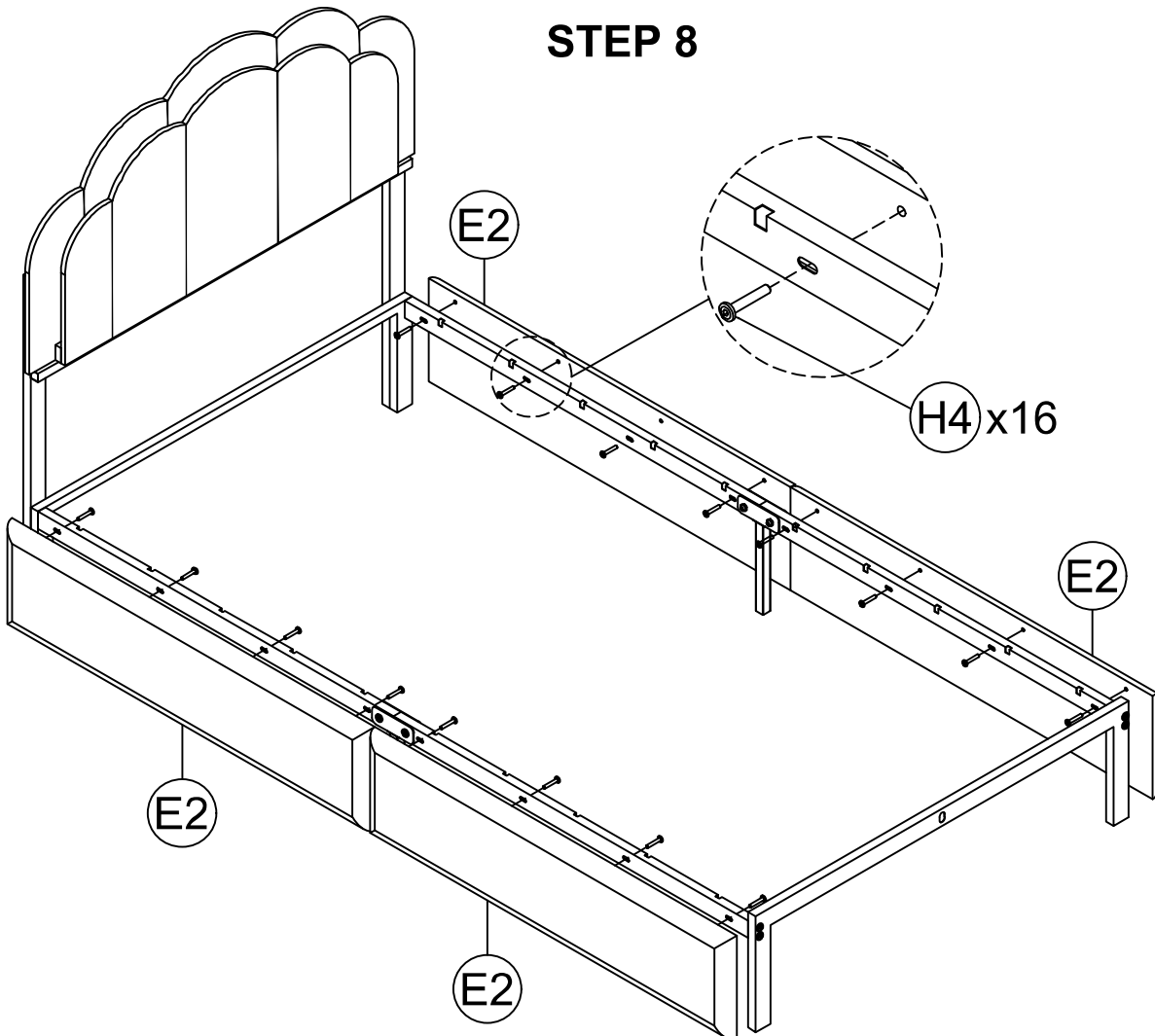
STEP 6



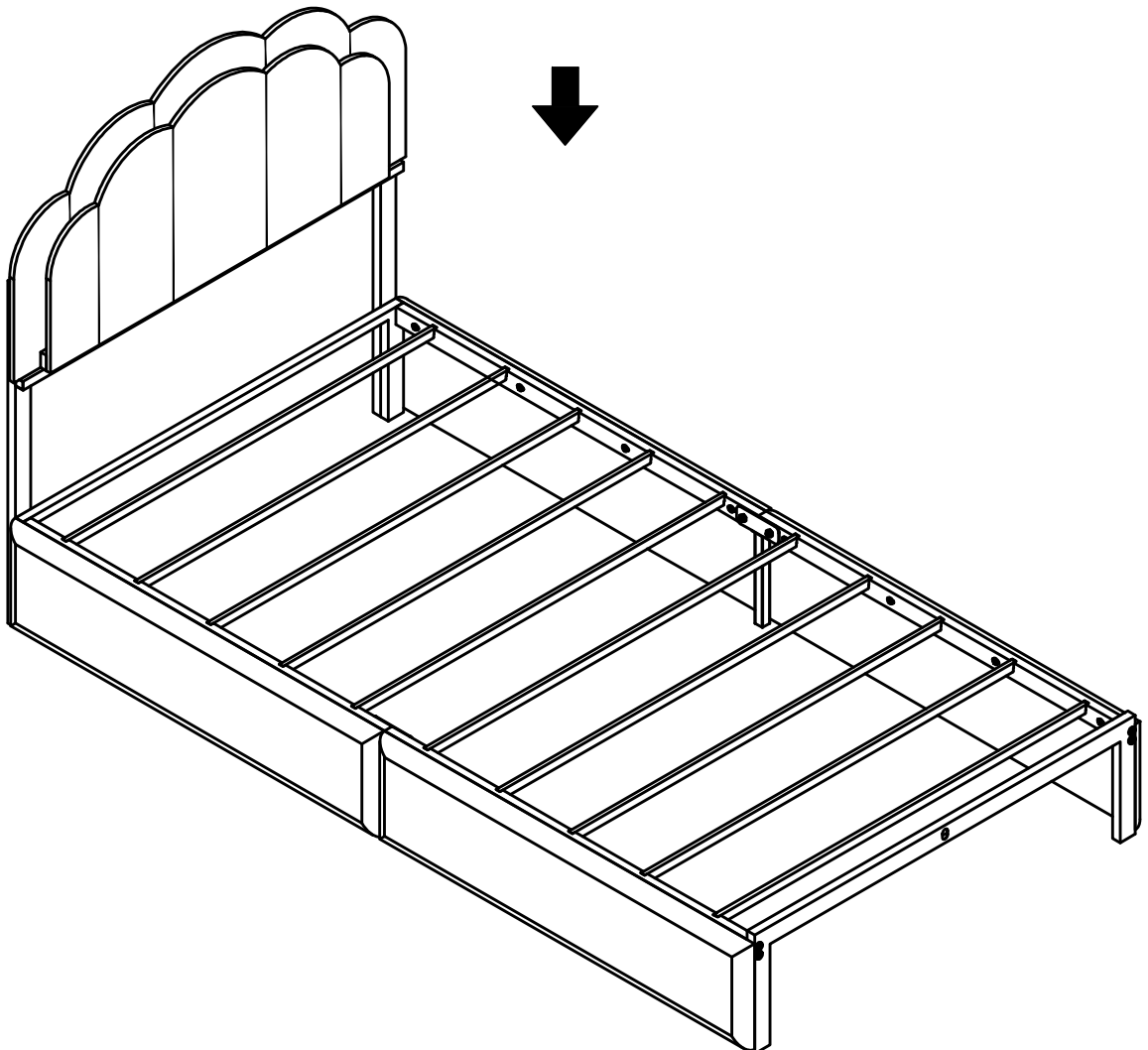
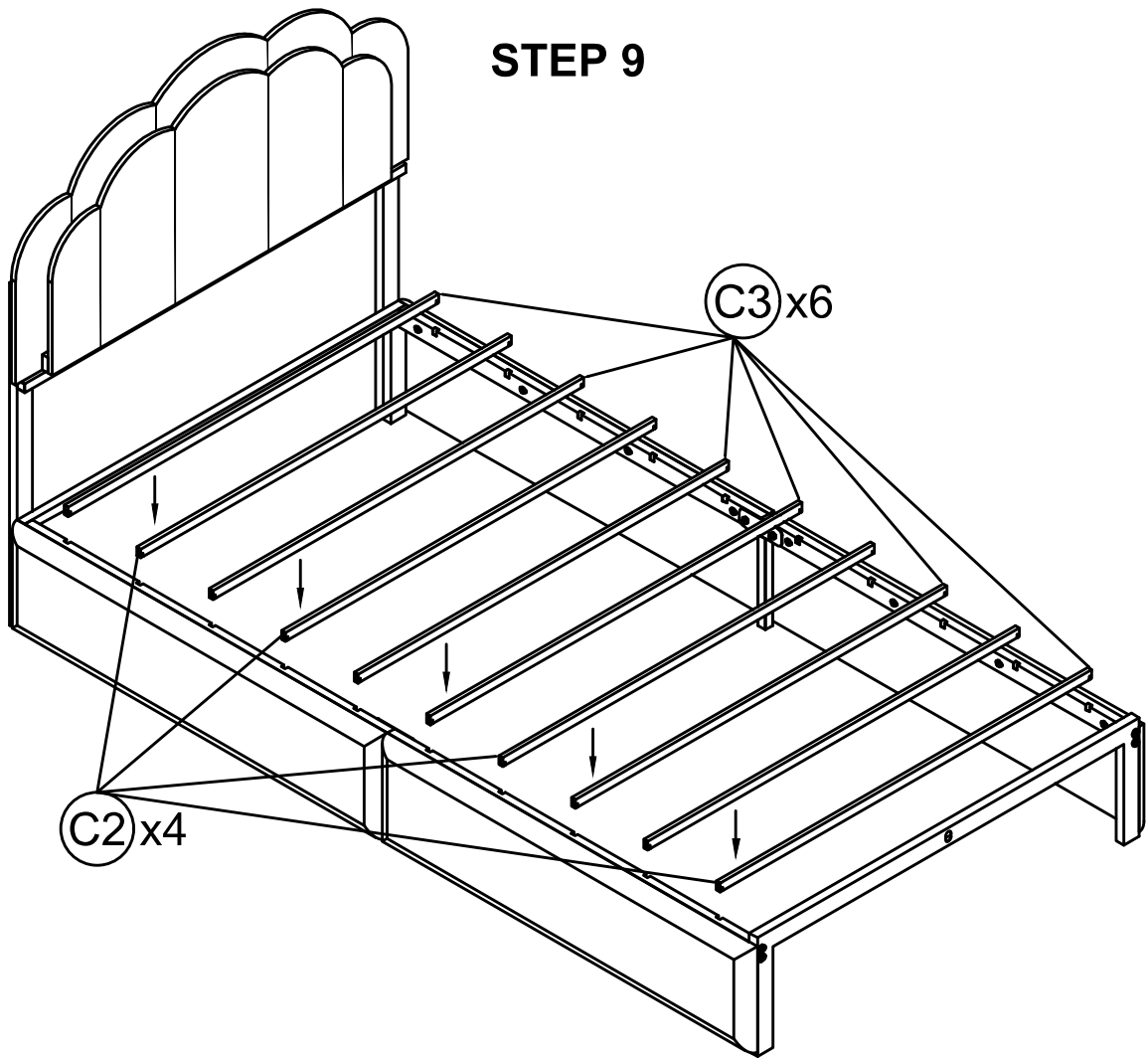
STEP 7



STEP 8

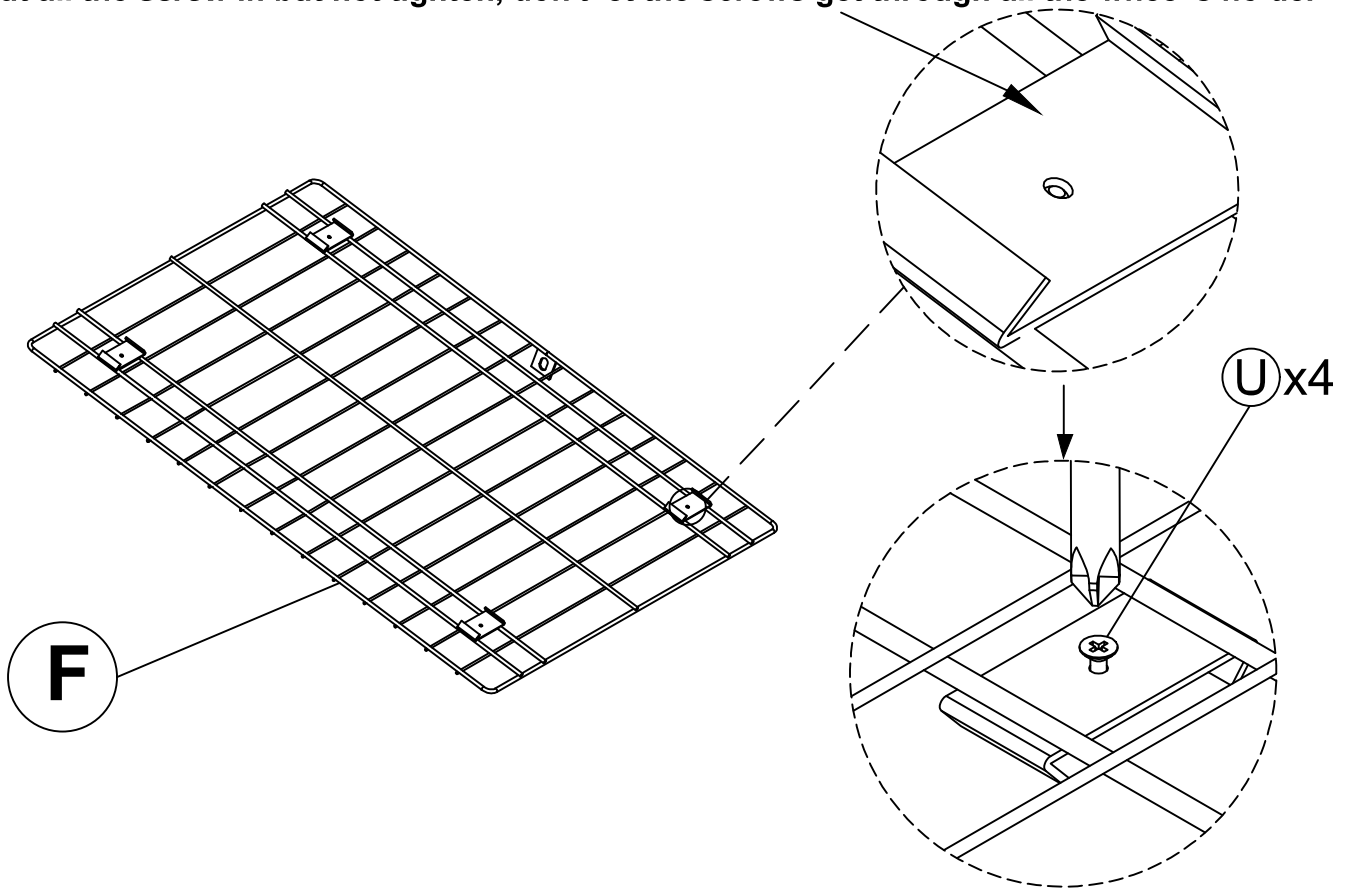


STEP 9

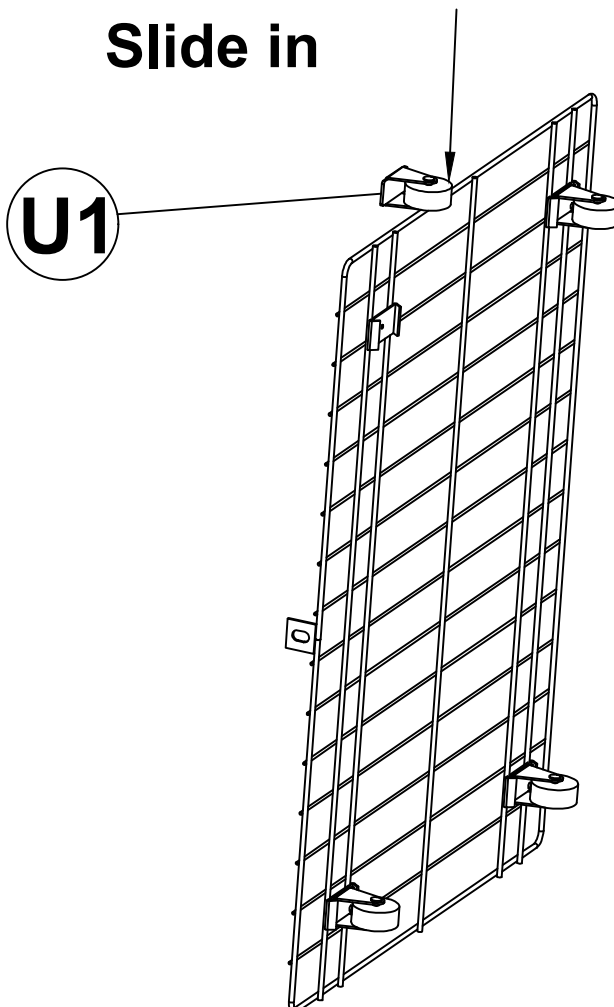


Step 10

Put all the screw in but not tighten, don't let the screws get through all the wheel's holder

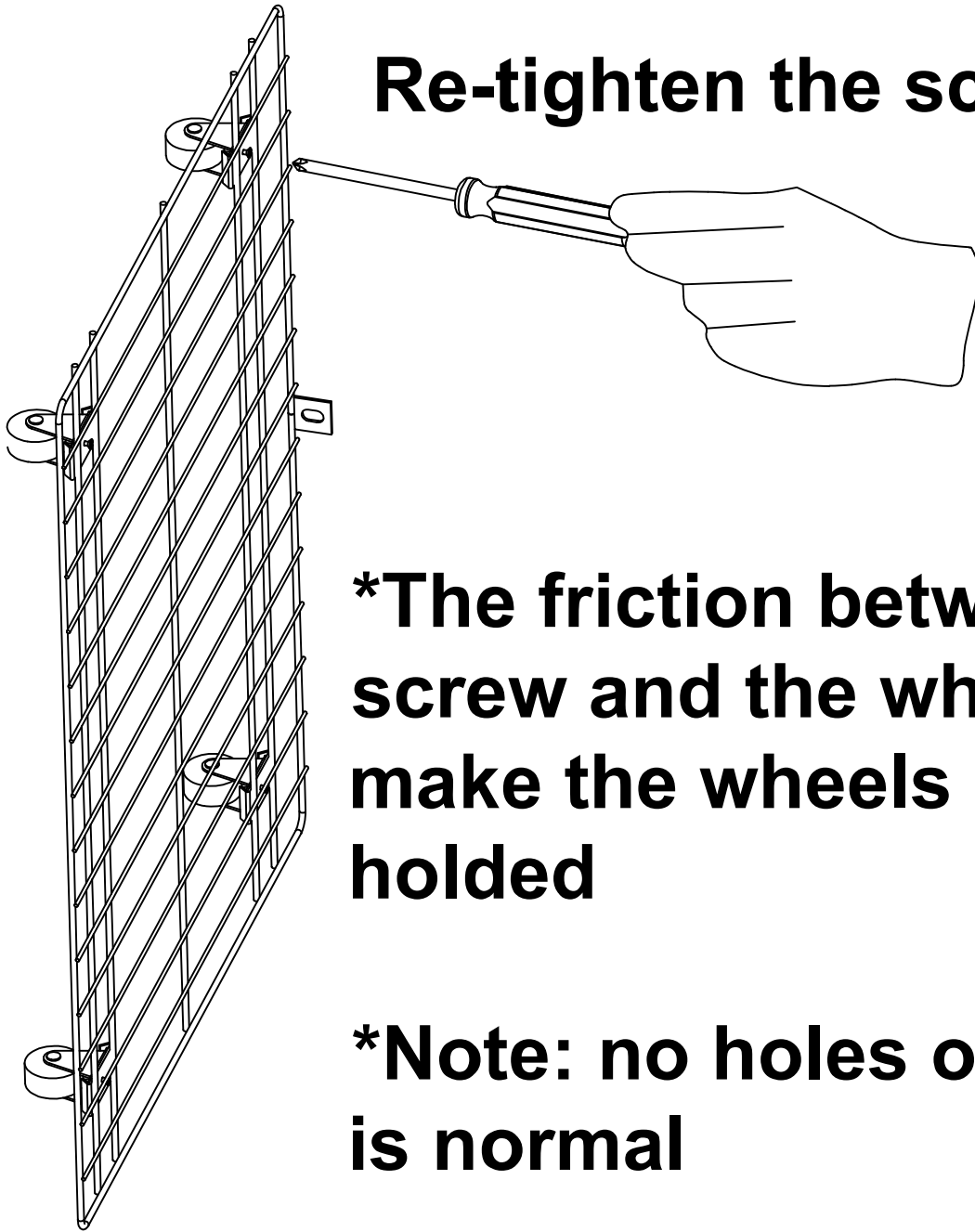


Slide in



Step 11

Re-tighten the screws

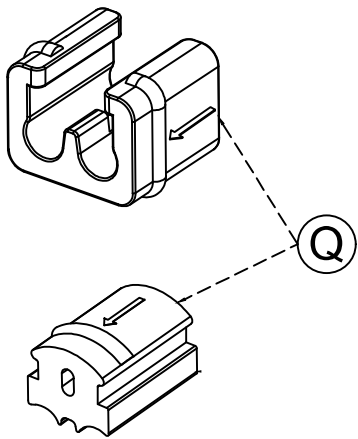


***The friction between the screw and the wheels will make the wheels can be holded**

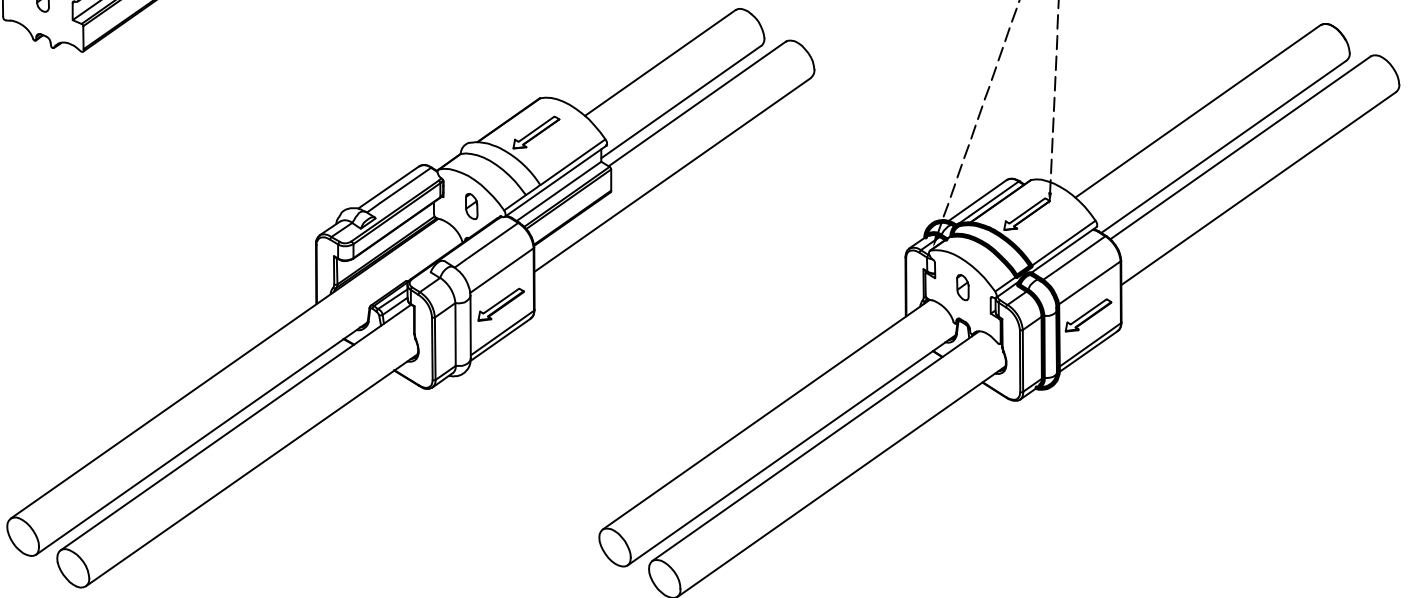
***Note: no holes on the wheels is normal**

Step 12

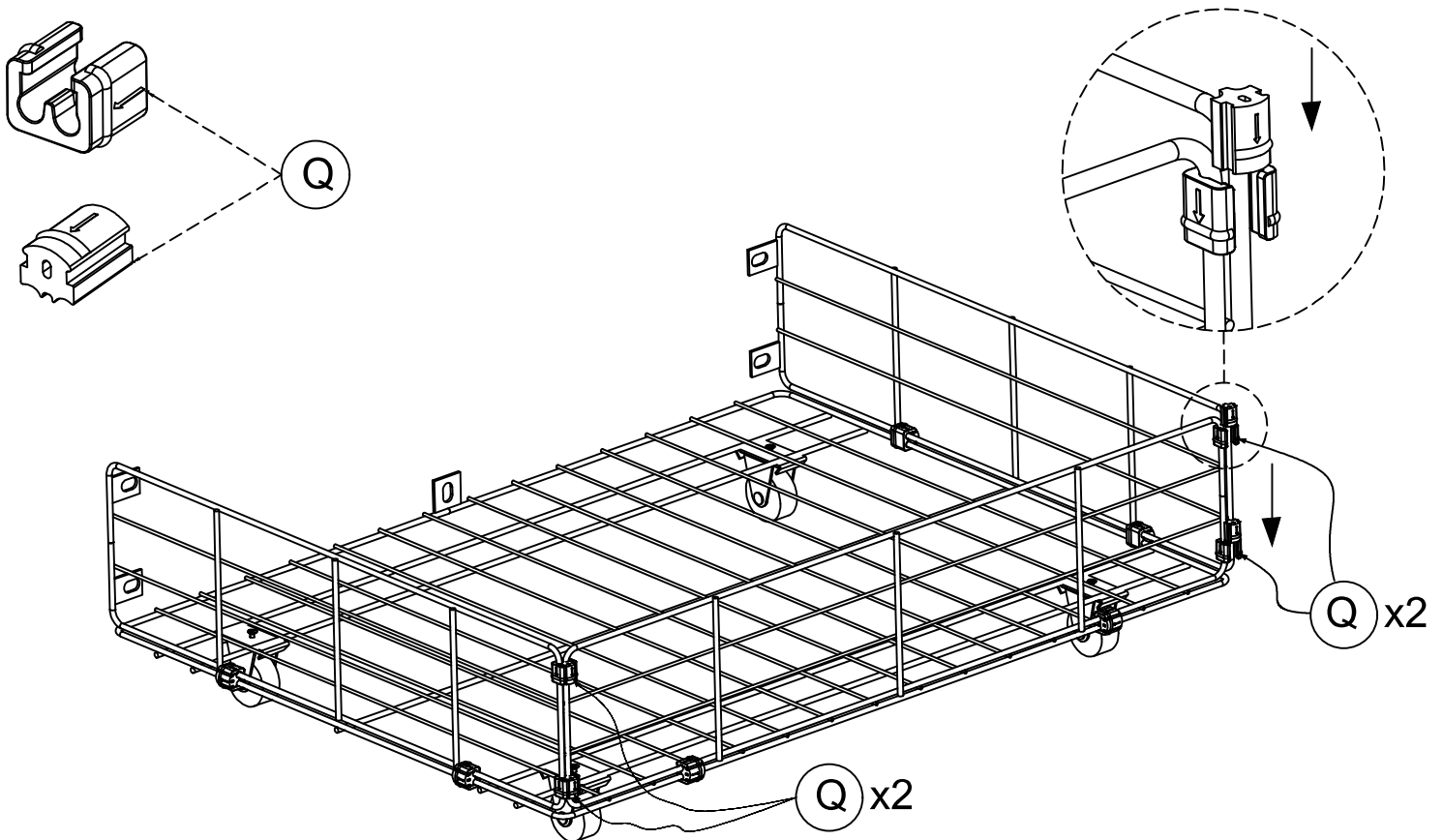
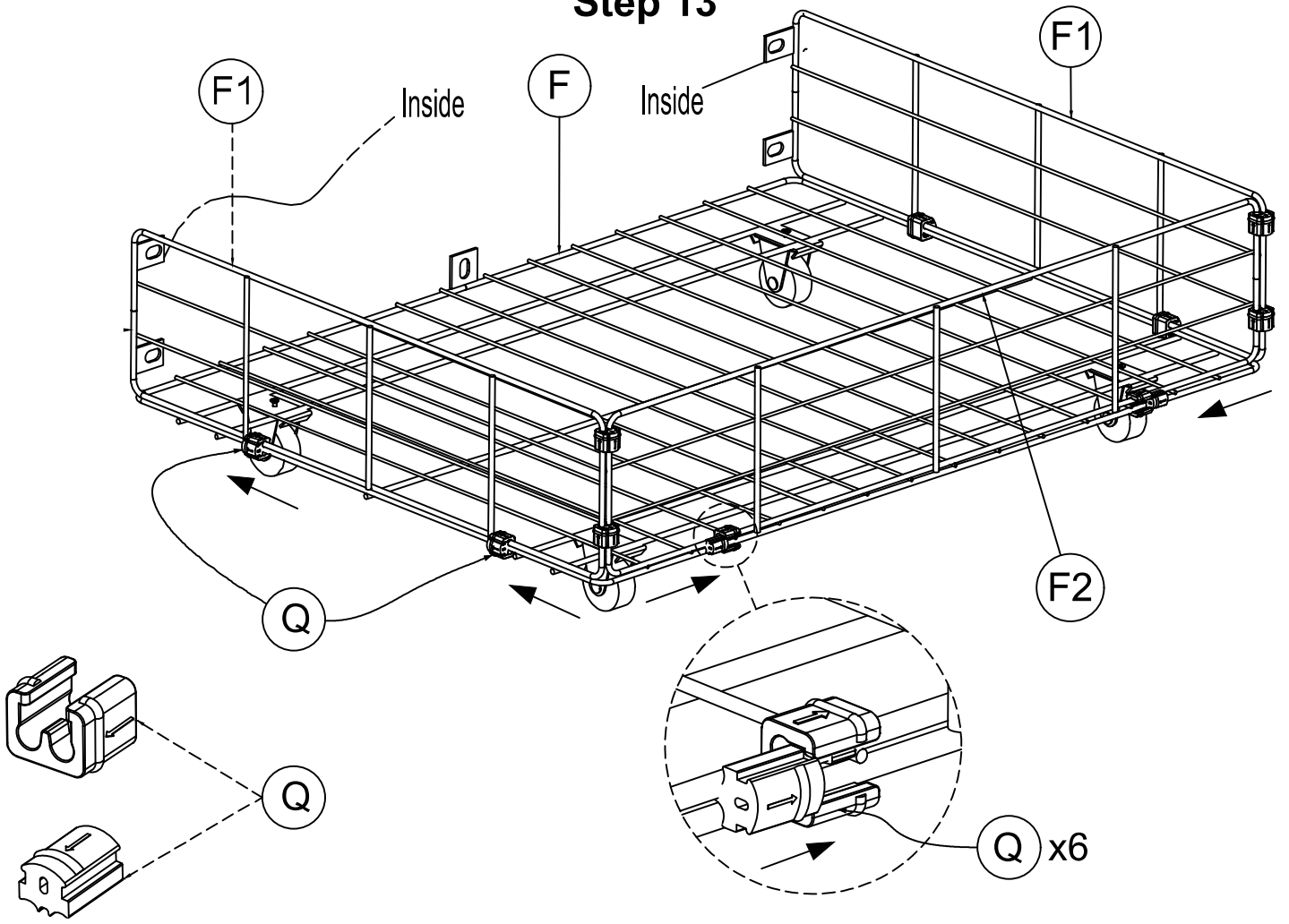
Detailed assembly instructions Q



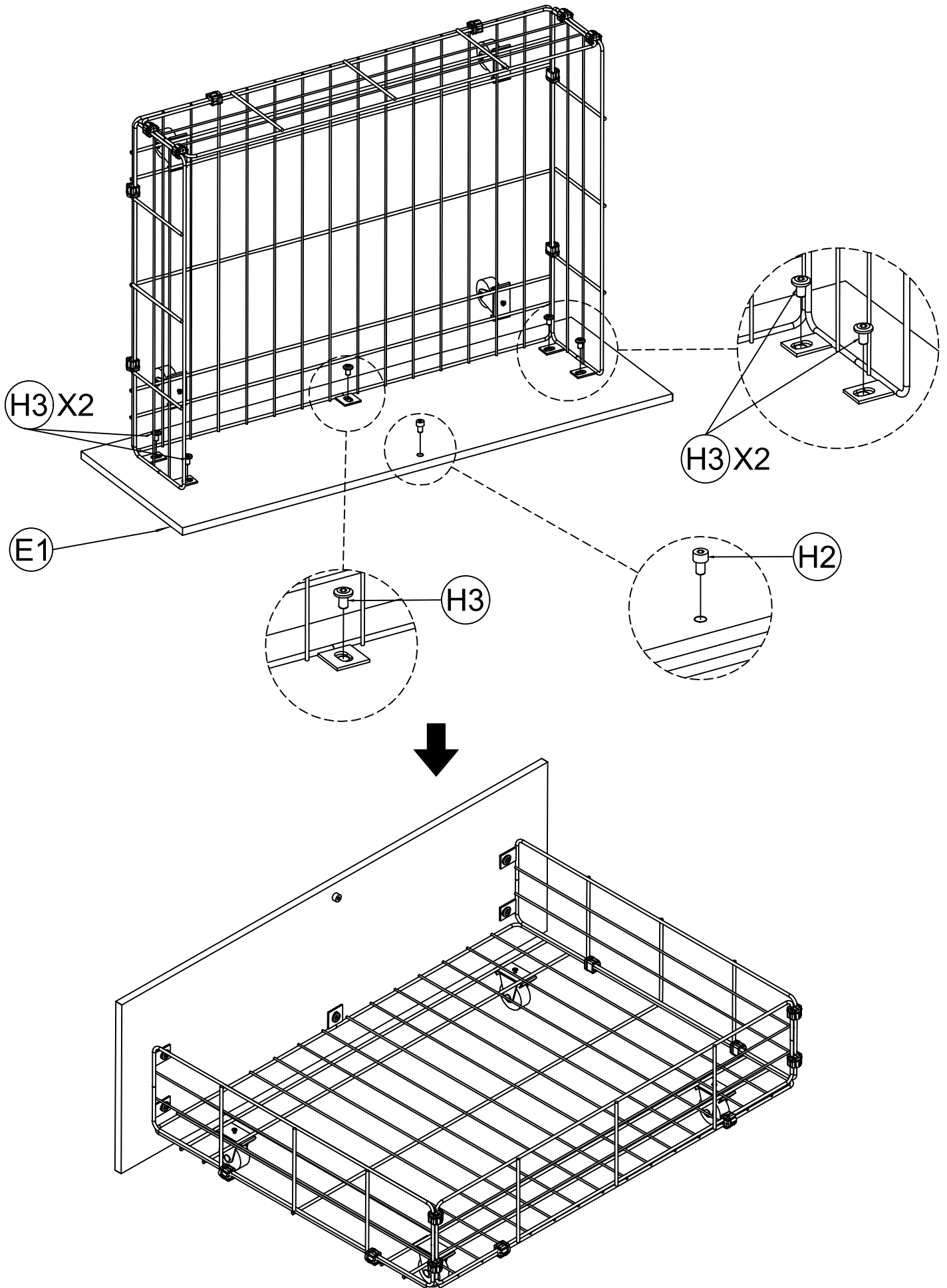
**these two
lines on Q
need to be
matched**



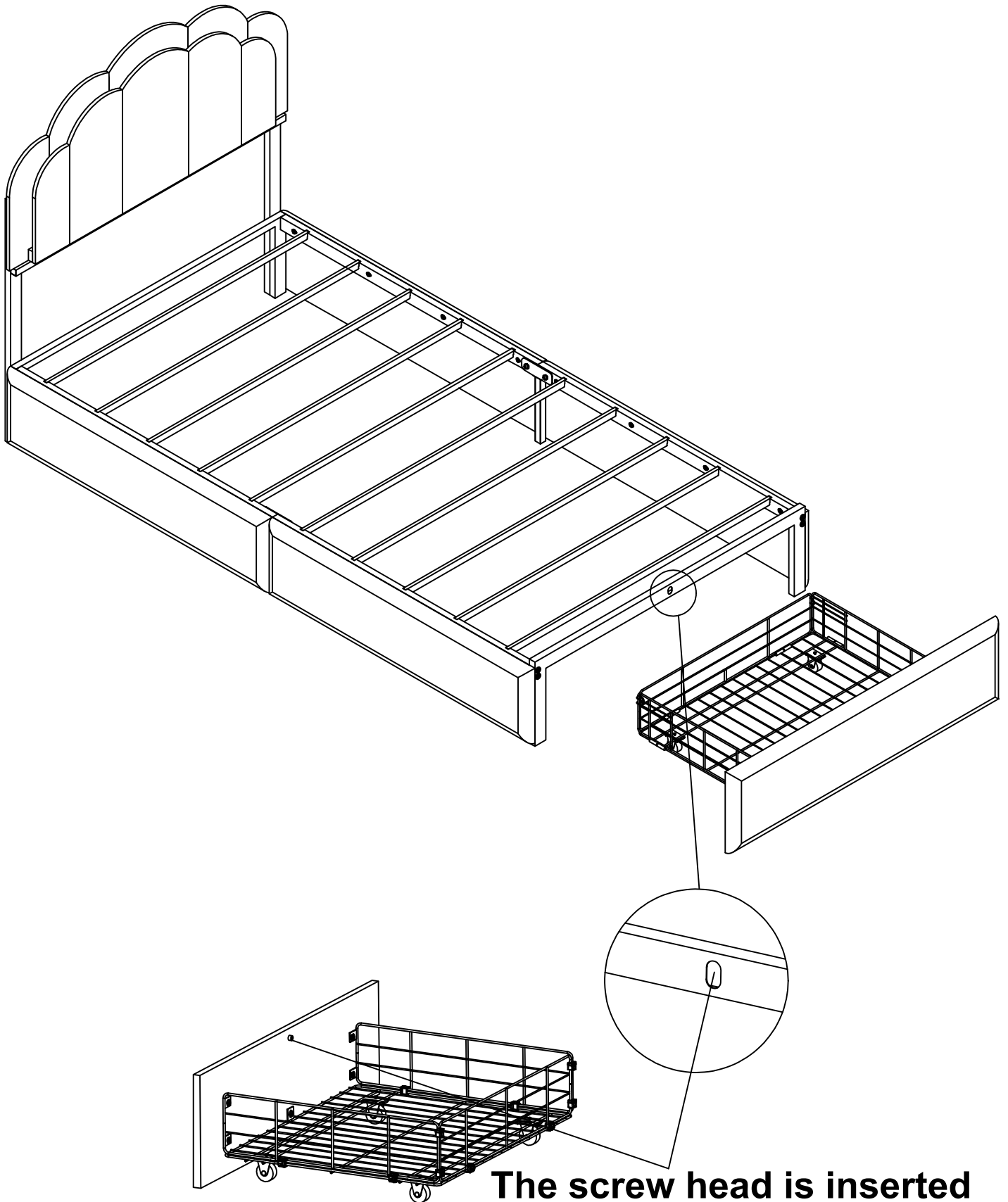
Step 13



Step 14

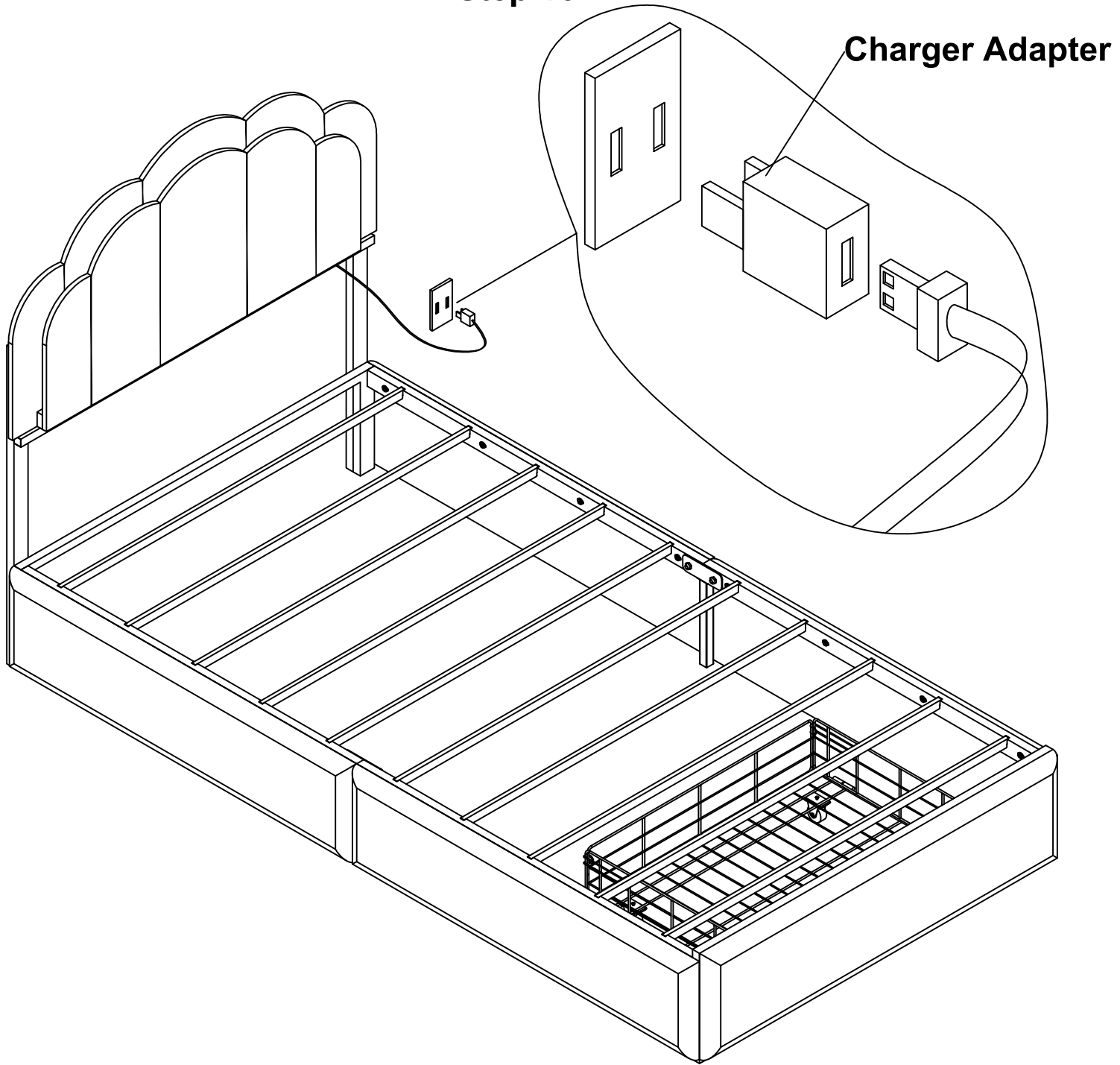


Step 15



The screw head is inserted into this hole to help fix the drawer

Step 16



REMOTE CONTROL

