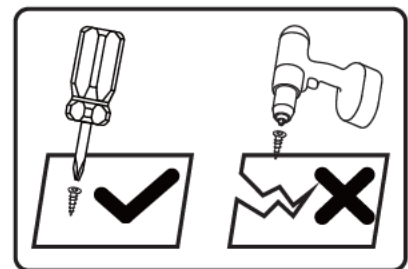
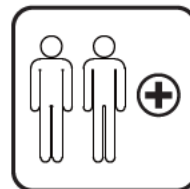
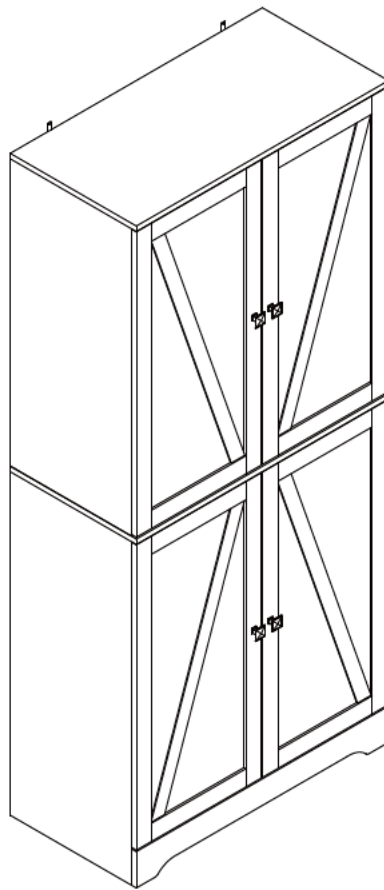


# ASSEMBLY INSTRUCTIONS



## Tools Recommended

THIS INSTRUCTIONS CONTAINS IMPORTANT SAFETY INFORMATION.  
PLEASE READ BEFORE ASSEMBLY AND KEEP FOR FUTURE REFERENCE.

# IMPORTANT NOTICE

-This product contains small components, please ensure that they are kept away from small children.

-THIS INSTRUCTIONS CONTAINS IMPORTANT SAFETY INFORMATION.  
PLEASE READ BEFORE ASSEMBLY AND KEEP FOR FUTURE REFERENCE.

-Read each step carefully. It is very important that each step of instruction is performed in the correct order. If these steps are not followed in sequence, assembly difficulties will occur.

-Make sure all parts are included. Most parts are labelled or stamped on the raw edge.

-Work in spacious area, preferably on a carpet, near the place the unit will be used.

-Do not use power tools to assemble your furniture. Power tools may strip or damage the parts.

-Move your new furniture carefully, with two people lift and carry the unit to it's new location.

-Never push, drag or pull your furniture (especially on carpet)



## PLEASE DO NOT RETURN PRODUCT TO US IMMEDIATELY

If a part is missing or damaged, email our customer service.  
We will gladly ship your replacement parts FREE of charge.

For Prompt, reliable service, please have your assemble instruction ready

 <b>WARNING!</b>	
	<p><b>Children have died from furniture tipover. To reduce the risk of furniture tipover:</b></p> <ul style="list-style-type: none"><li>• ALWAYS install anti-tip device provided.</li><li>• NEVER put a TV on this product.</li><li>• NEVER allow children to stand, climb or hang on any drawers, doors, or shelves.</li><li>• NEVER open more than one drawer at a time.</li><li>• Place heaviest items in the lowest drawers.</li></ul> <p>This is a permanent label. Do not remove!</p>
	

Total number of boards required for this product: 19pcs

Includes frame plate: 19pcs

part 1\*1pcs

part 4\*1pcs

part 7\*1pcs

part 10\*2pcs

part 13\*2pcs

part 2\*1pcs

part 5\*1pcs

part 8\*1pcs

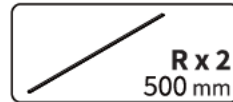
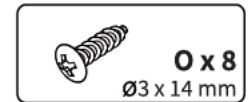
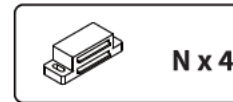
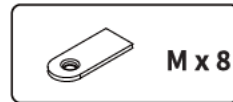
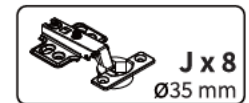
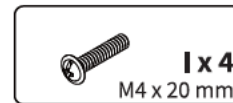
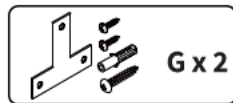
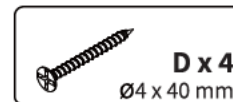
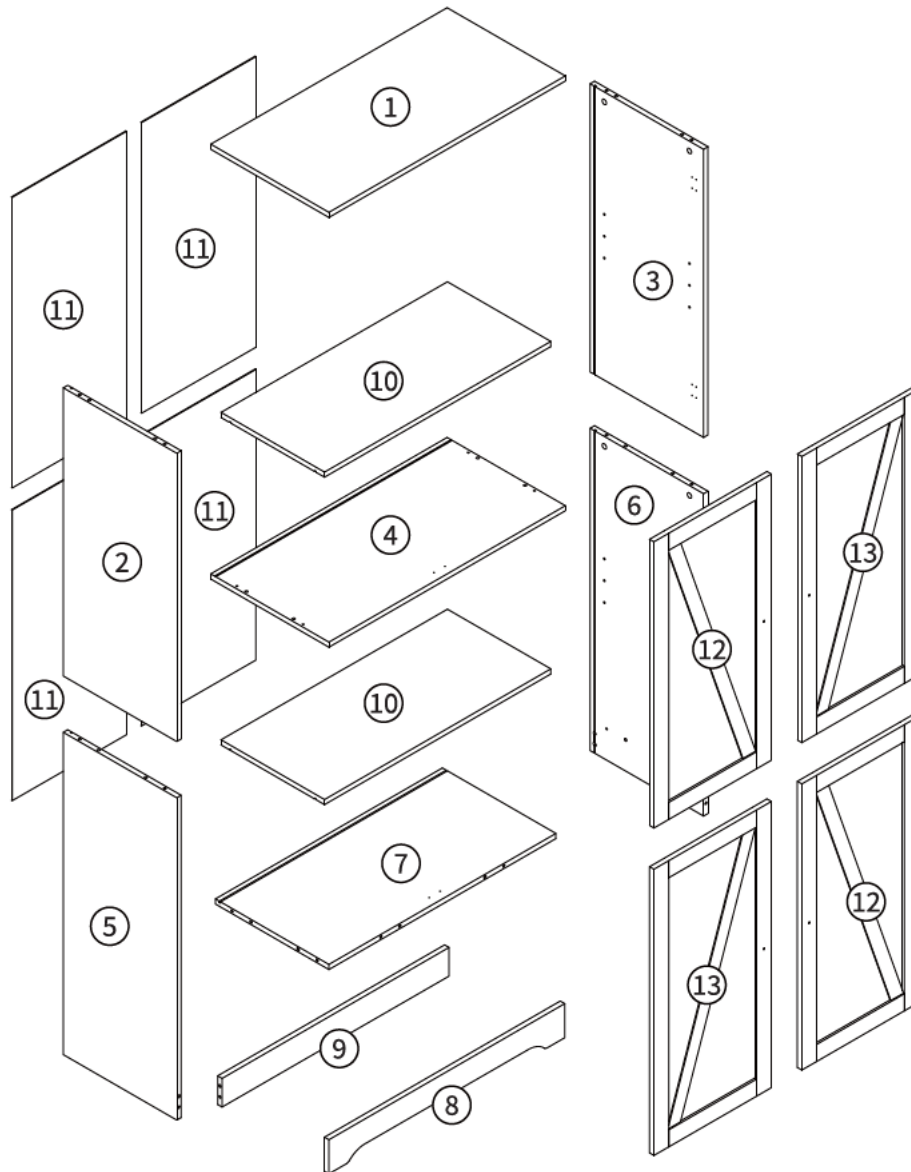
part 11\*4pcs

part 3\*1pcs

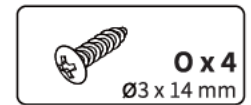
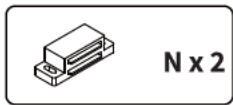
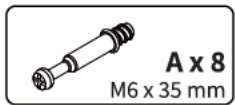
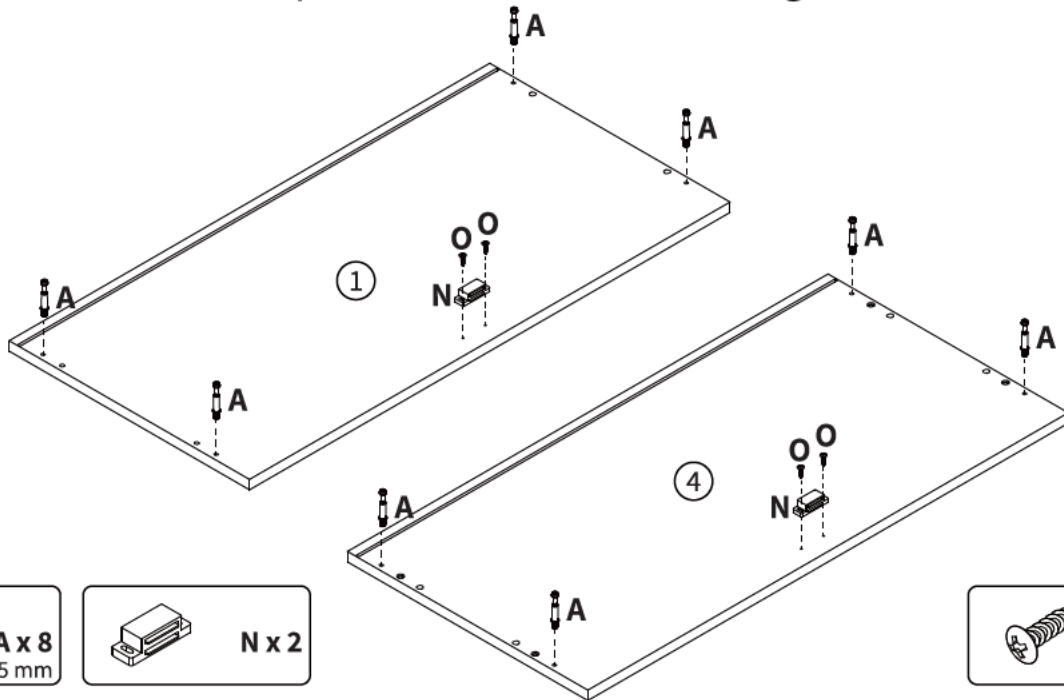
part 6\*1pcs

part 9\*1pcs

part 12\*2pcs



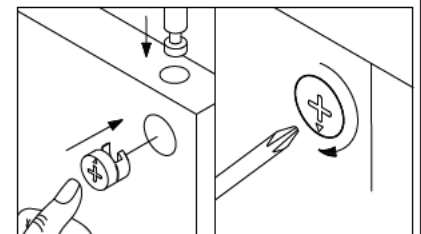
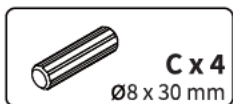
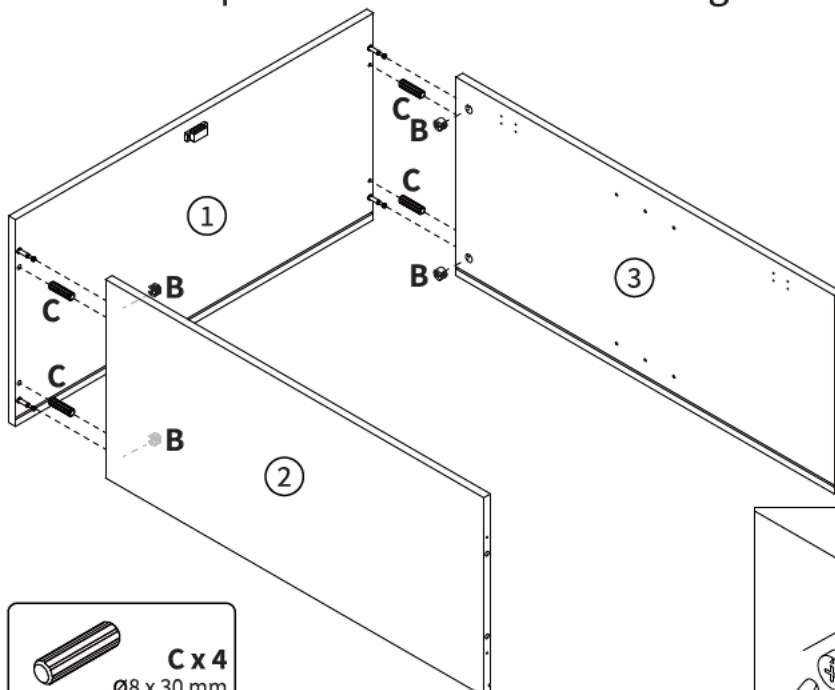
**Step 1** Lock the screws (A) on part ① and part ④.  
 Then, use the hardware (O) to install the hardware (N) onto parts ① ④.  
 The installation position is as shown in the figure below.



**Step 2** Insert the wooden dowel (C) into parts ② and ③ first. Connect part ① to part ② and ③, then place the eccentric (B) into the corresponding holes of part ② and ③.

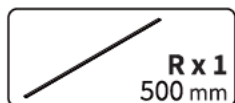
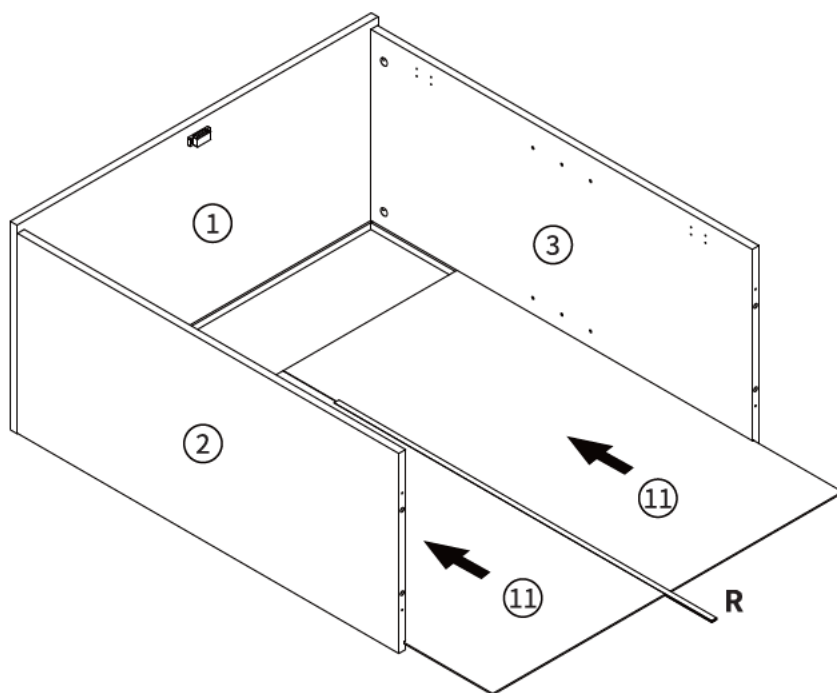
Rotate parts ① ② and ③ clockwise with a screwdriver to tighten them securely.

The installation position is as shown in the figure below.



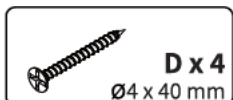
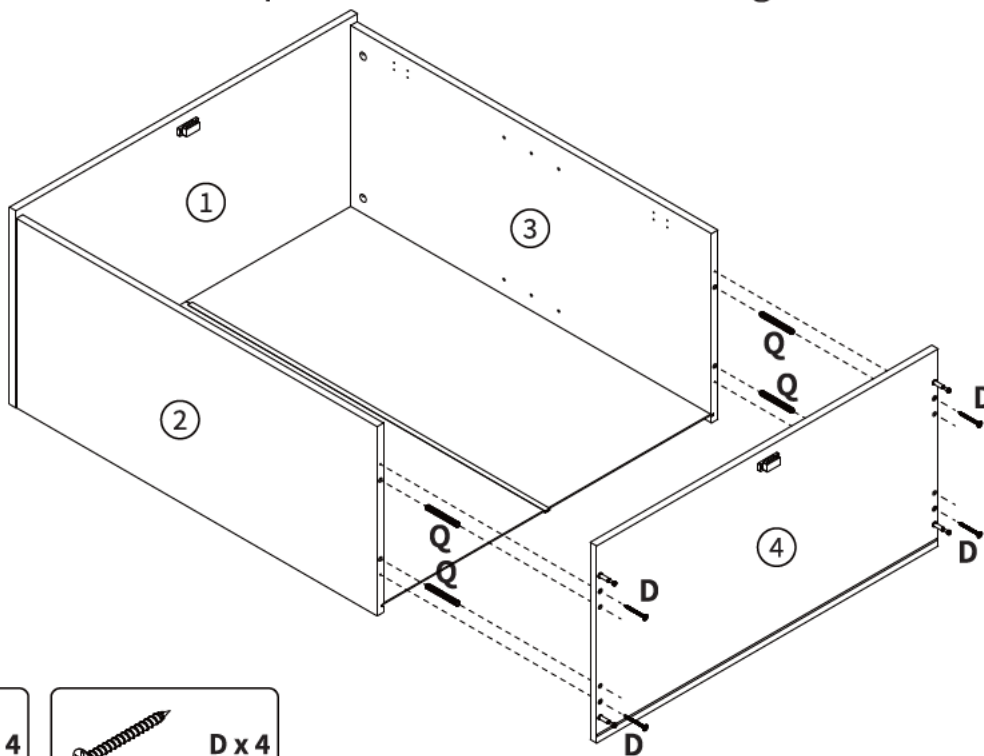
**Step 3** Insert the two parts ⑪ into the slots of parts ② and ③, using the backplane strip (R) as a guide.

The installation position is as shown in the figure below.

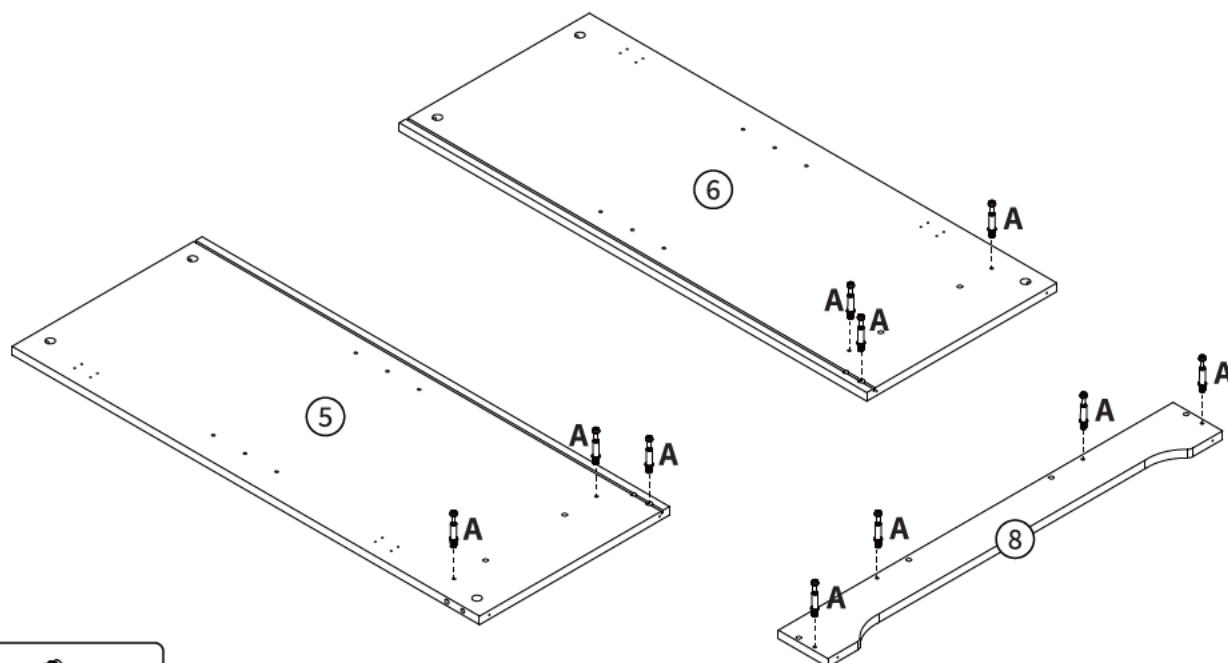


**Step 4** Insert the long wooden dowel (Q) into parts ② and ③ first, then assemble part ④ to parts ②③ with screws (D).

The installation position is as shown in the figure below

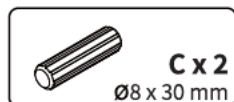
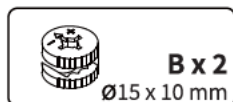
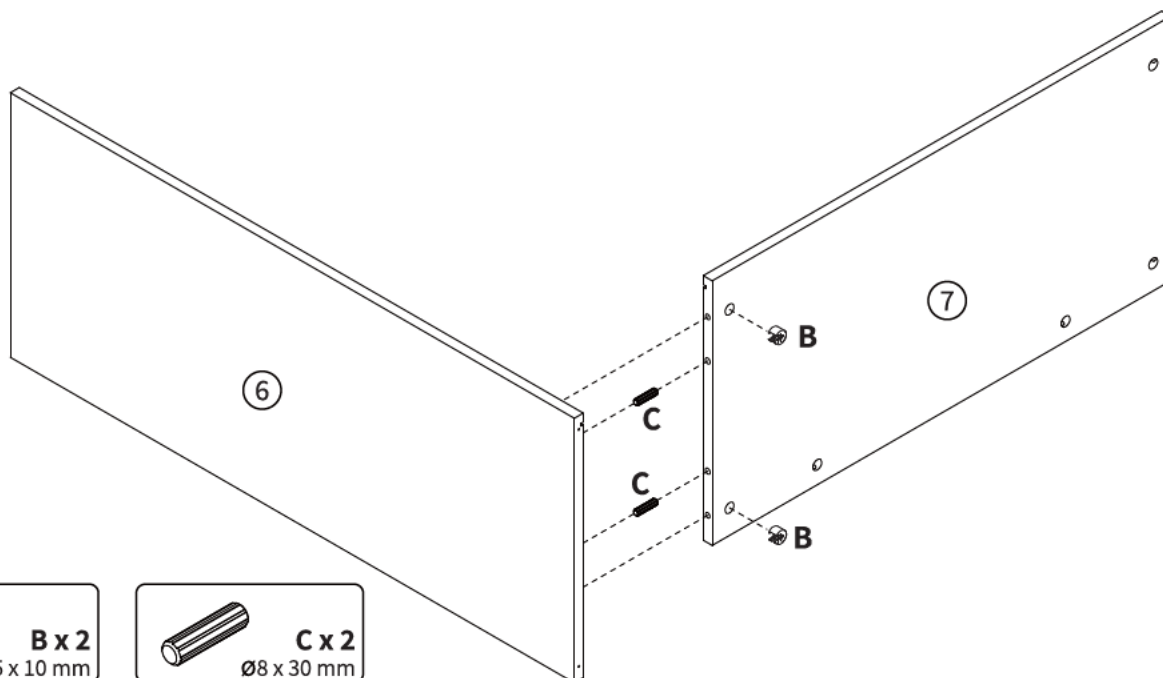


**Step 5** Lock the screws (A) on parts ⑤⑥ and ⑧ in place.  
The installation position is as shown in the figure below.



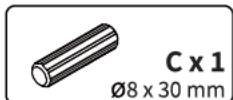
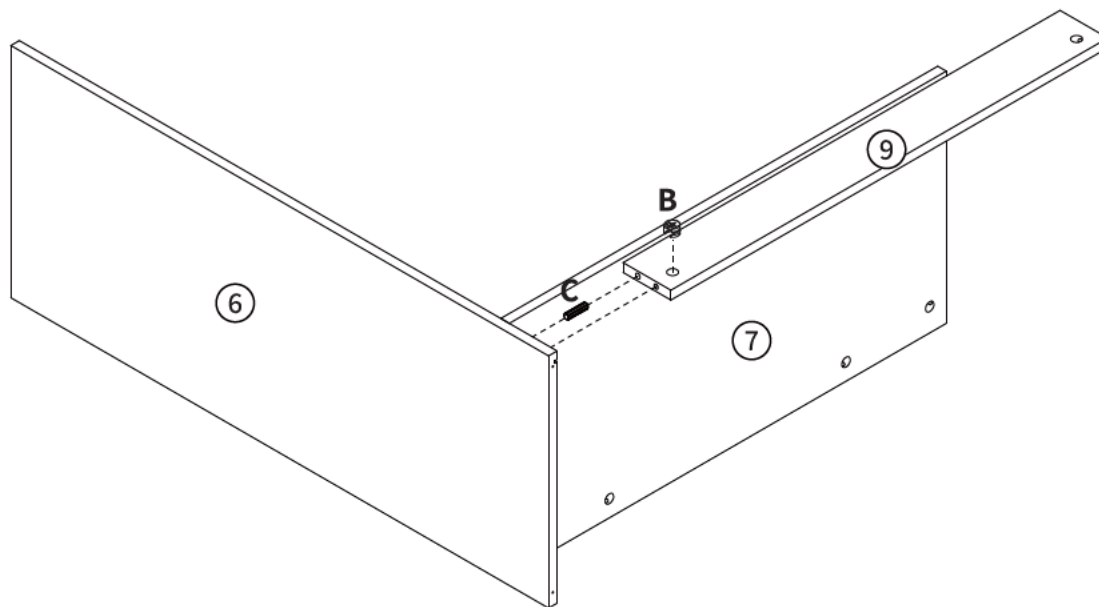
**Step 6** Insert the wooden dowel (C) into part ⑦ first, then attach part ⑥ to part ⑦, place the eccentric (B) into the corresponding hole of part ⑦. Tighten part ⑥ and ⑦ using a screwdriver by turning them clockwise with a screwdriver.

The installation position is as shown in the figure below.



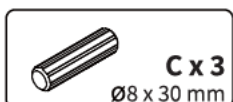
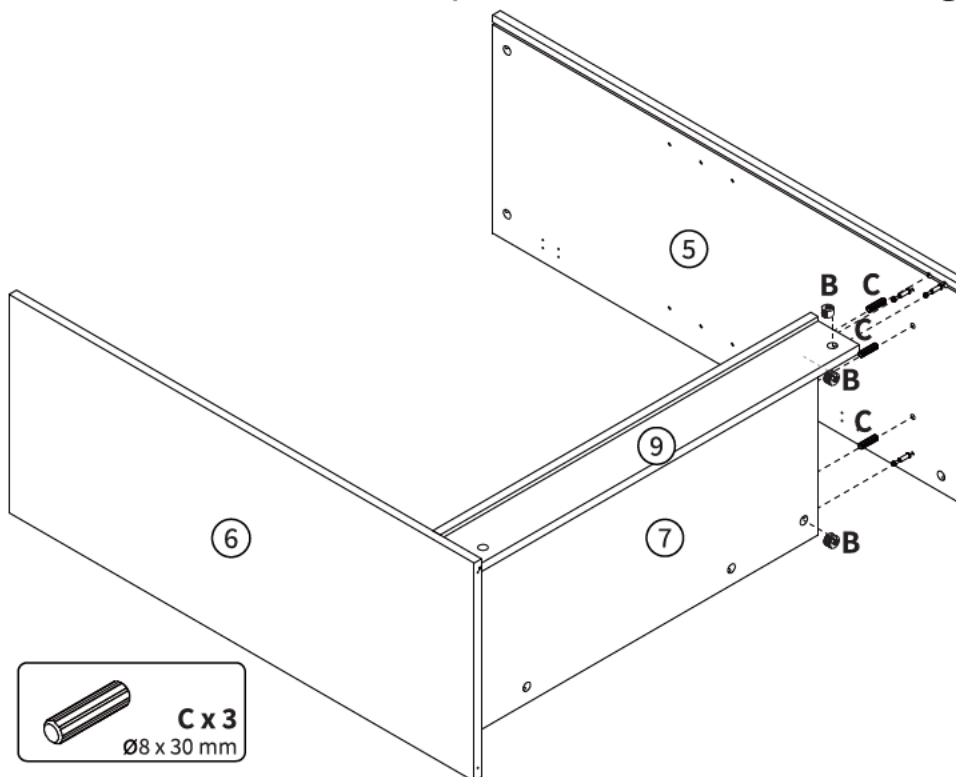
**Step 7** Insert wooden dowel (C) into part ⑨, then put eccentric (B) into the corresponding hole in the part ⑨, tighten the part ⑥ and ⑨ by turning it clockwise with a screwdriver.

The installation position is as shown in the figure below.

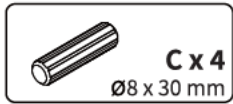
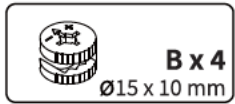
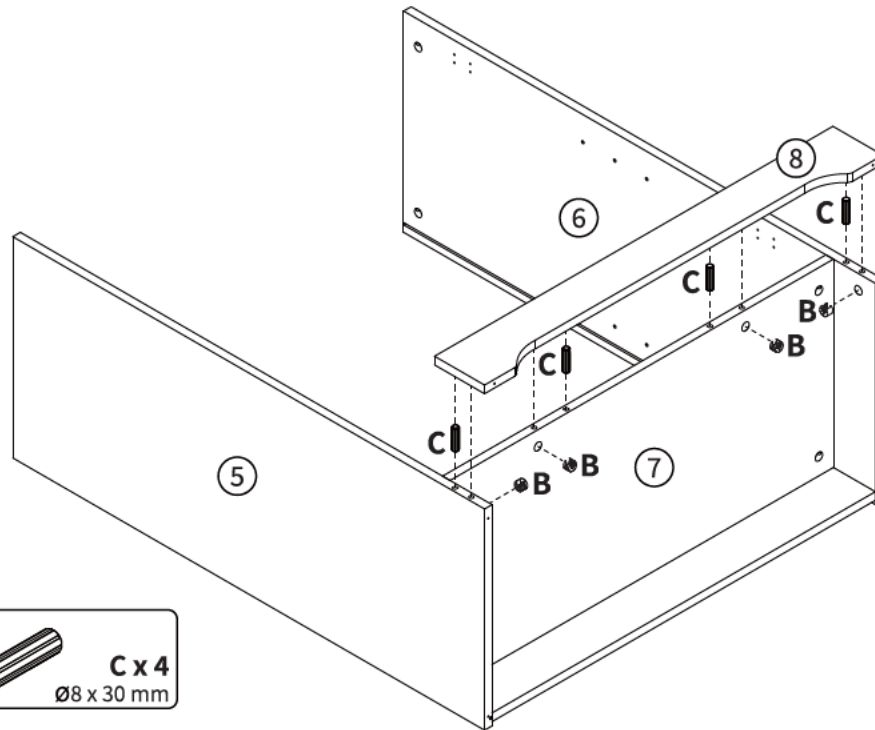


**Step 8** Insert the wooden dowel (C) into parts ⑦ and ⑨ first, then place the eccentric (B) into the corresponding hole in the part ⑦ and ⑨.

Tighten the part ⑤, ⑦ and ⑨ by turning it clockwise with a screwdriver. The installation position is as shown in the figure below.



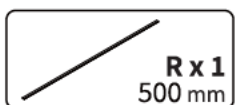
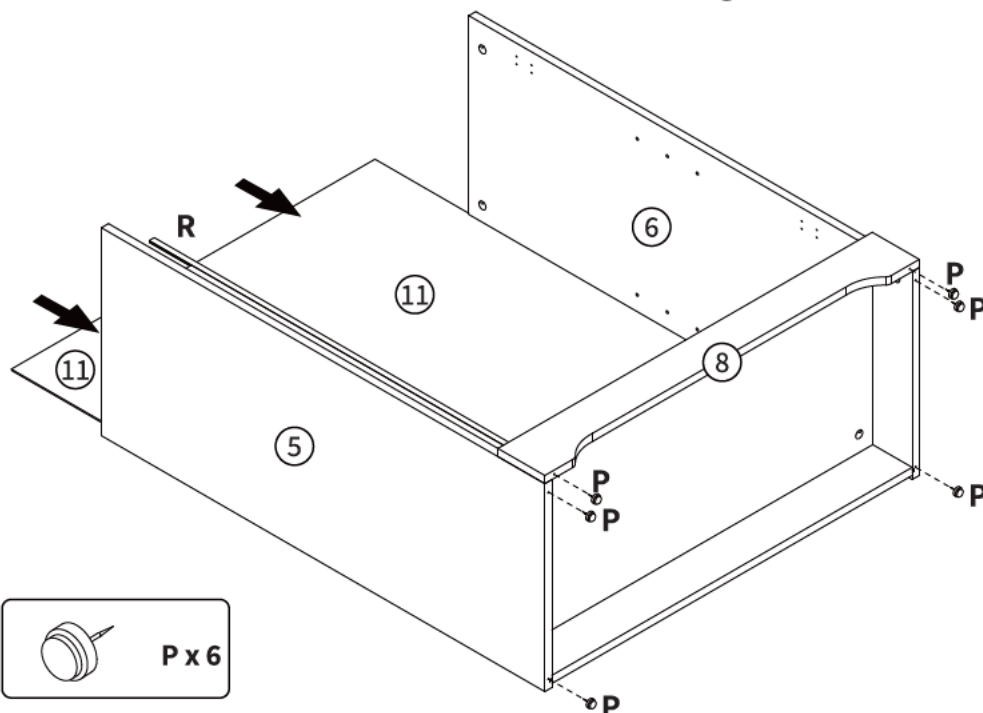
**Step 9** Insert the wooden dowel (C) into parts ⑤⑥ and ⑦ first, then place the eccentric (B) into the corresponding holes of parts ⑤⑥ and ⑦ .  
Tighten parts ⑤⑥⑦ and ⑧ by turning them clockwise with a screwdriver. The installation position is as shown in the figure below.



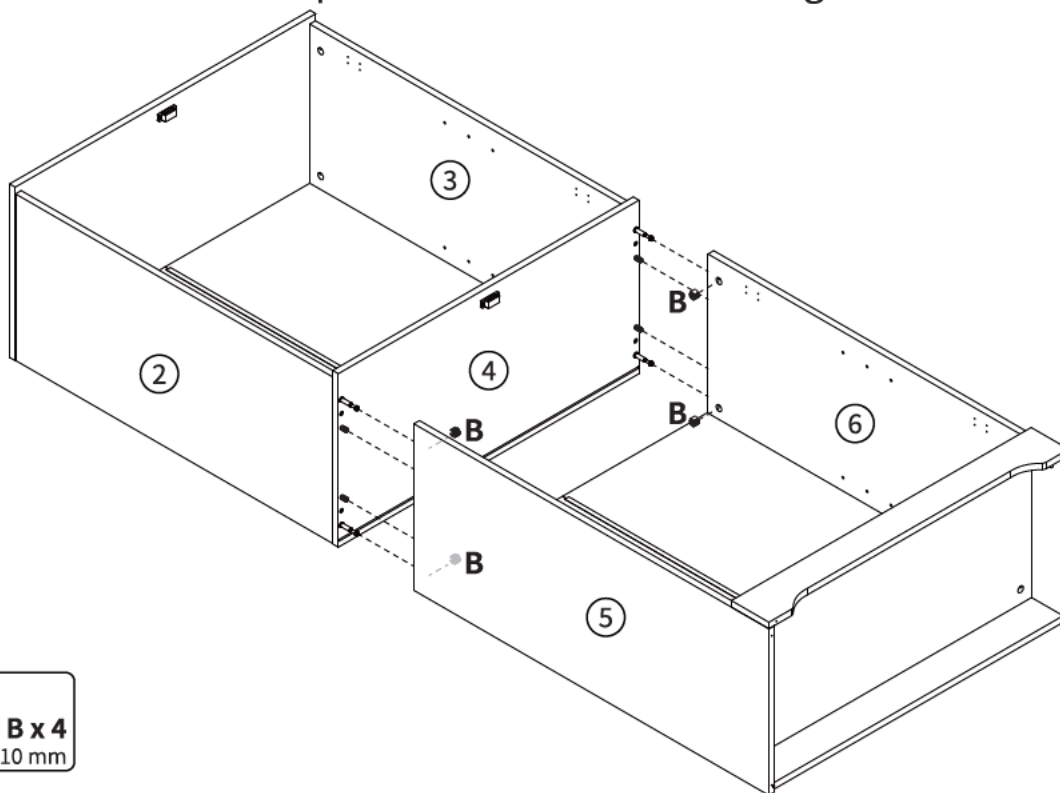
**Step 10** Insert two parts ⑪ into the slots of parts ⑤ and ⑥, using the backplane strip (R) as a guide.

Then, attach the foot pads (P) to parts ⑤⑥ and ⑧ securing them in place with a hammer.

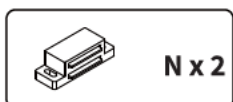
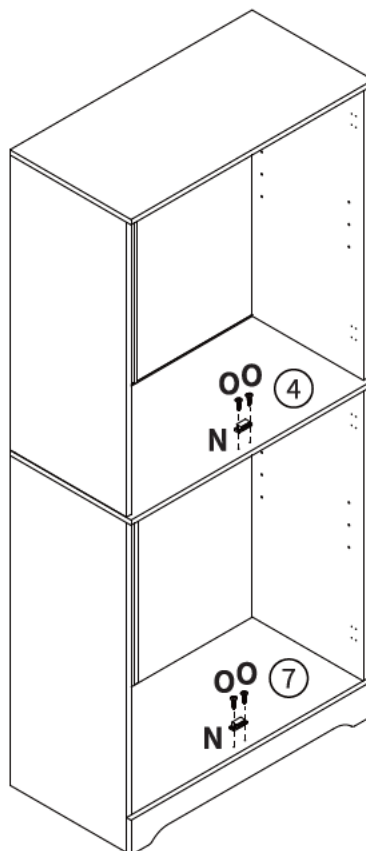
The installation position is as shown in the figure below.



**Step 11** Place the eccentric (B) into the corresponding holes of parts ⑤ and ⑥. Tighten parts ④⑤ and ⑥ by turning clockwise with a screwdriver. The installation position is as shown in the figure below.

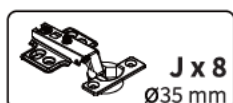
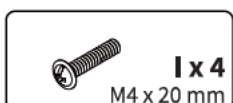
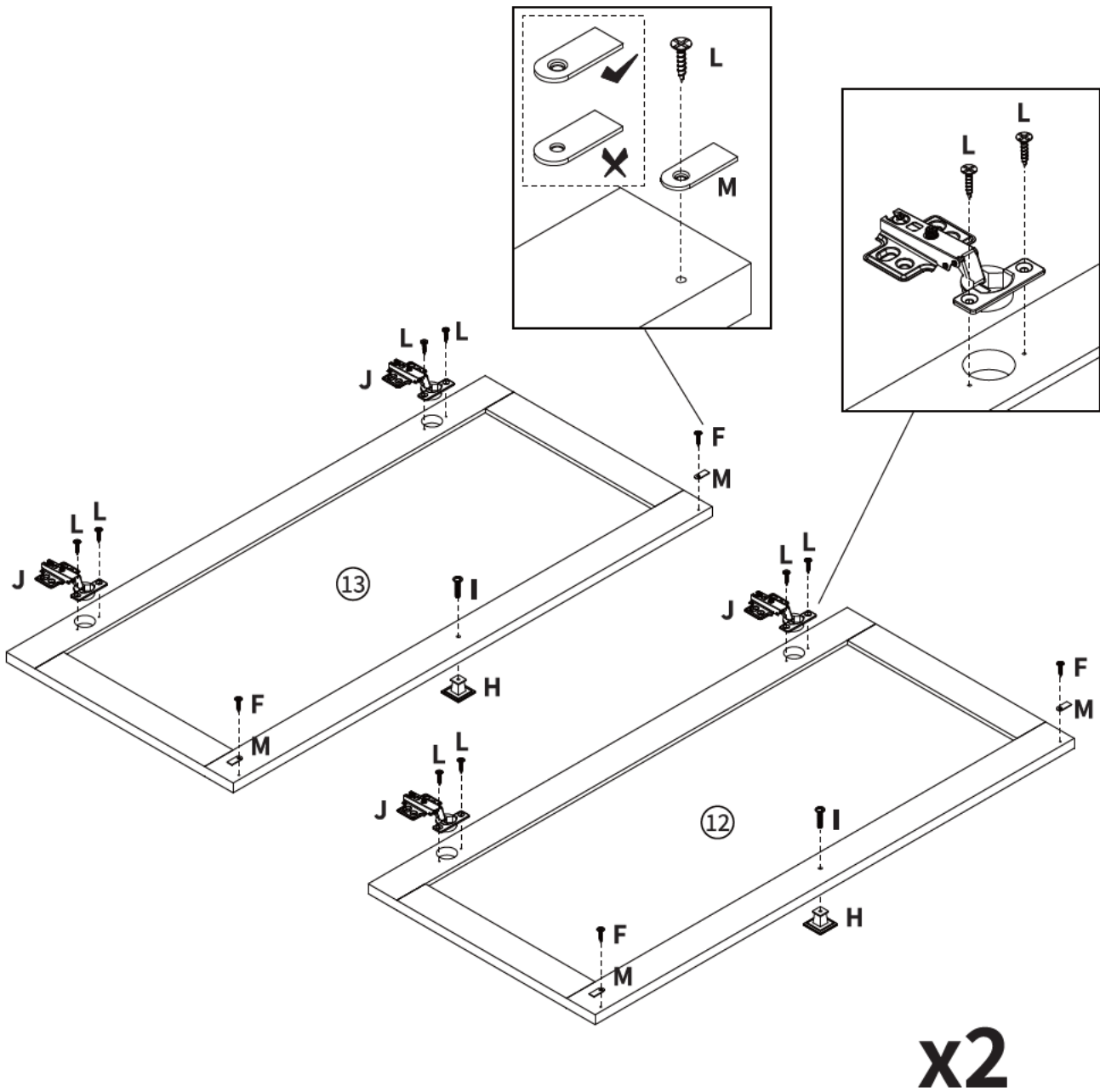


**Step 12** Secure hardware (N) to parts ④ and ⑦ using fastener (O). The installation position is as shown in the figure below.

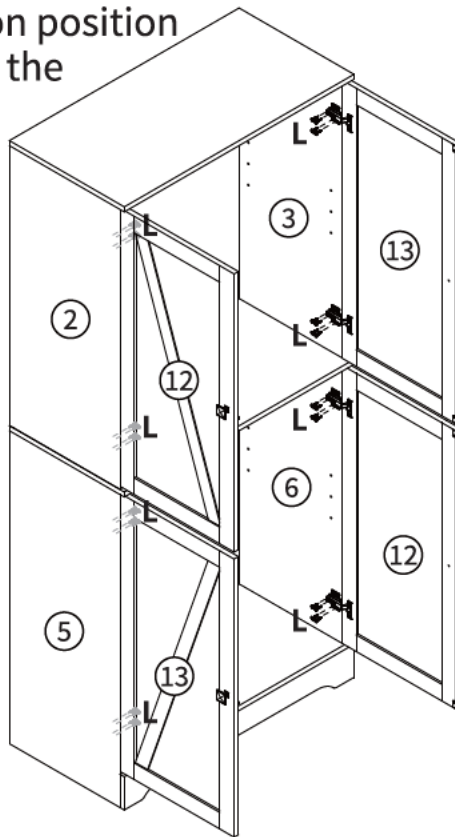


**Step 13** Attach the handle (H) to parts ⑫ and ⑬ using screws (I), then install the hinge (J) to parts ⑫ and ⑬ with screws (L).

Finally, secure the steel plate (M) to parts ⑫ and ⑬ using screws (F).  
The installation position is as shown in the figure below.

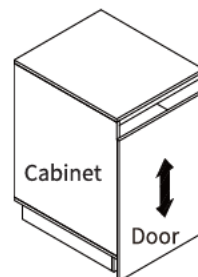
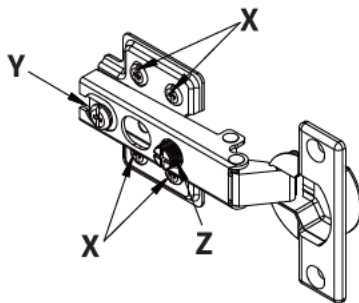


**Step 14** Connect parts ⑫ and ⑬ to parts ② and ③ using screws (L).  
 Furthermore, attach parts ⑫ and ⑬ to parts ⑤ and ⑥ with screws (L).  
 The installation position is as shown in the figure below.

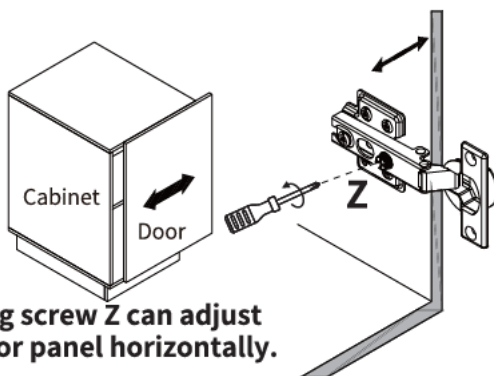
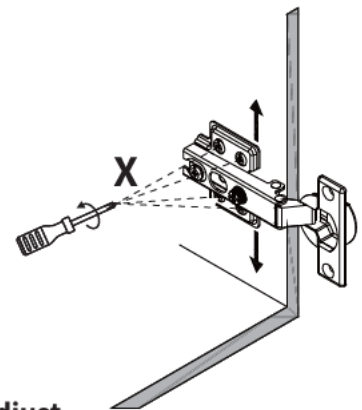


## Step 15

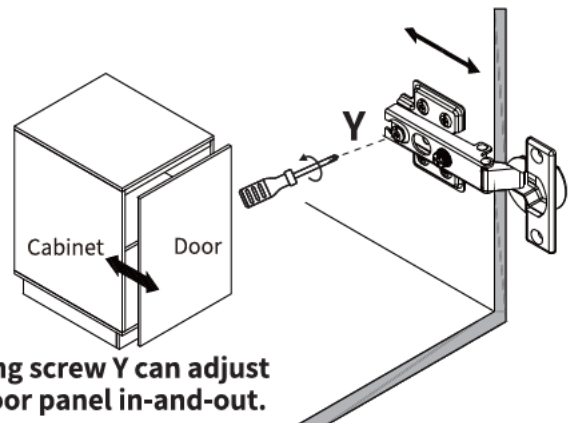
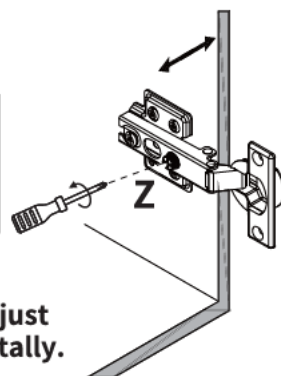
### Hinges Adjustment Tips



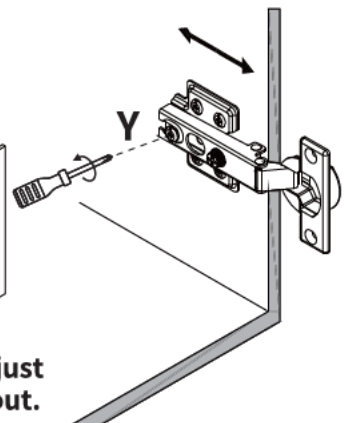
Loosing screw X can adjust the door panel vertically.



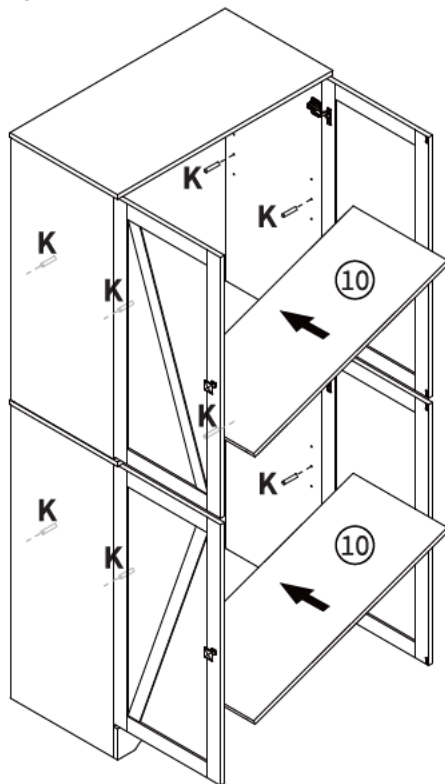
Loosing screw Z can adjust the door panel horizontally.



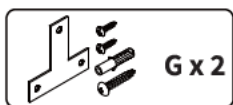
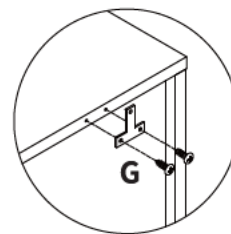
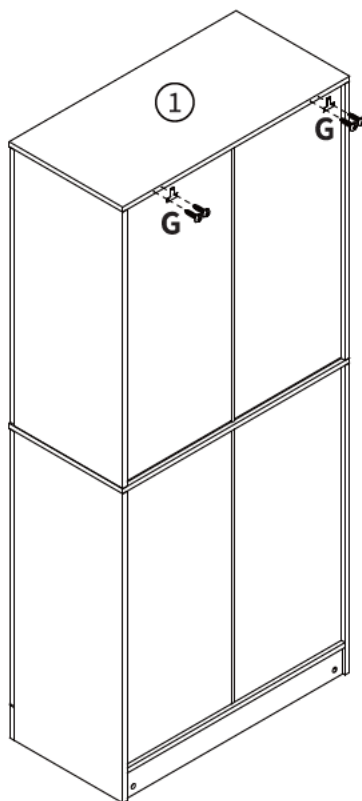
Loosing screw Y can adjust the door panel in-and-out.



**Step 16** First, insert the pin (K) into the corresponding hole to achieve the desired height, then tilt it to position the movable shelf ⑩.  
The installation position is as shown in the figure below.



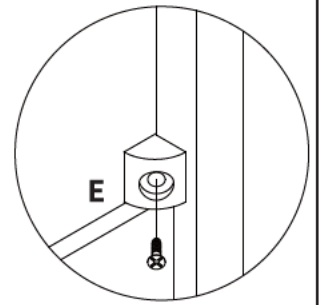
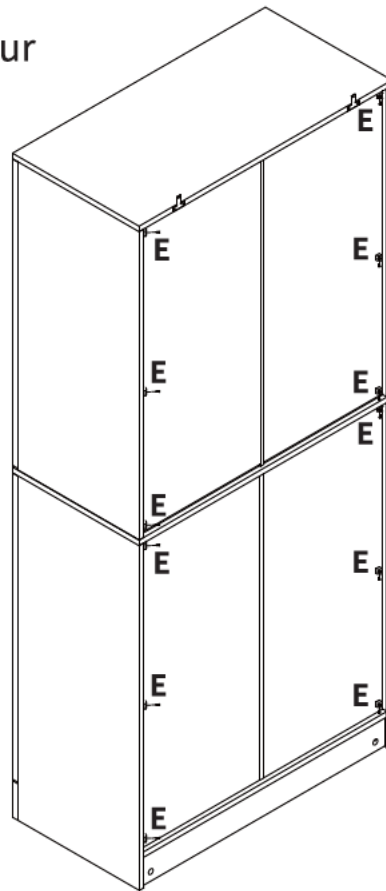
**Step 17** Secure the component to Part ① using the small screws from hardware pack (G).  
The installation position is as shown in the figure below.



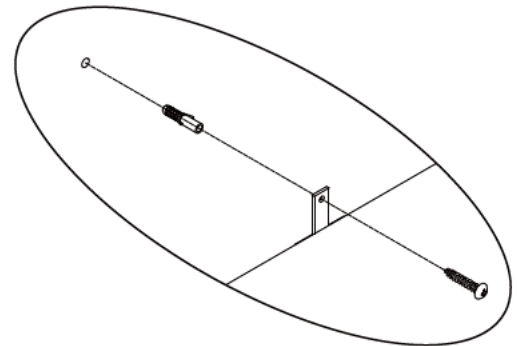
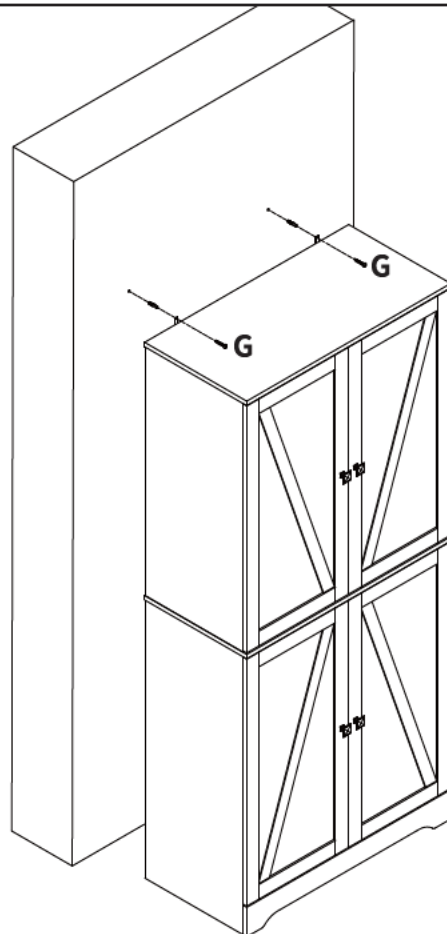
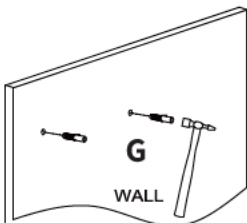
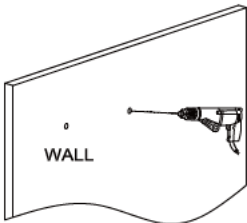
## Step 18

Tighten the backplate clips (E) at the four corners of the baseboard.

The installation position is as shown in the figure below.



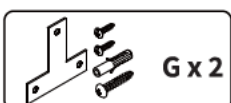
## Step 19



Insert the hardware (G) into the wall using a hammer.

Afterwards, tighten the expansion screws into the wall using the long screws provided in the hardware set (G).

The installation position is as shown in the figure below.



# Step 20

