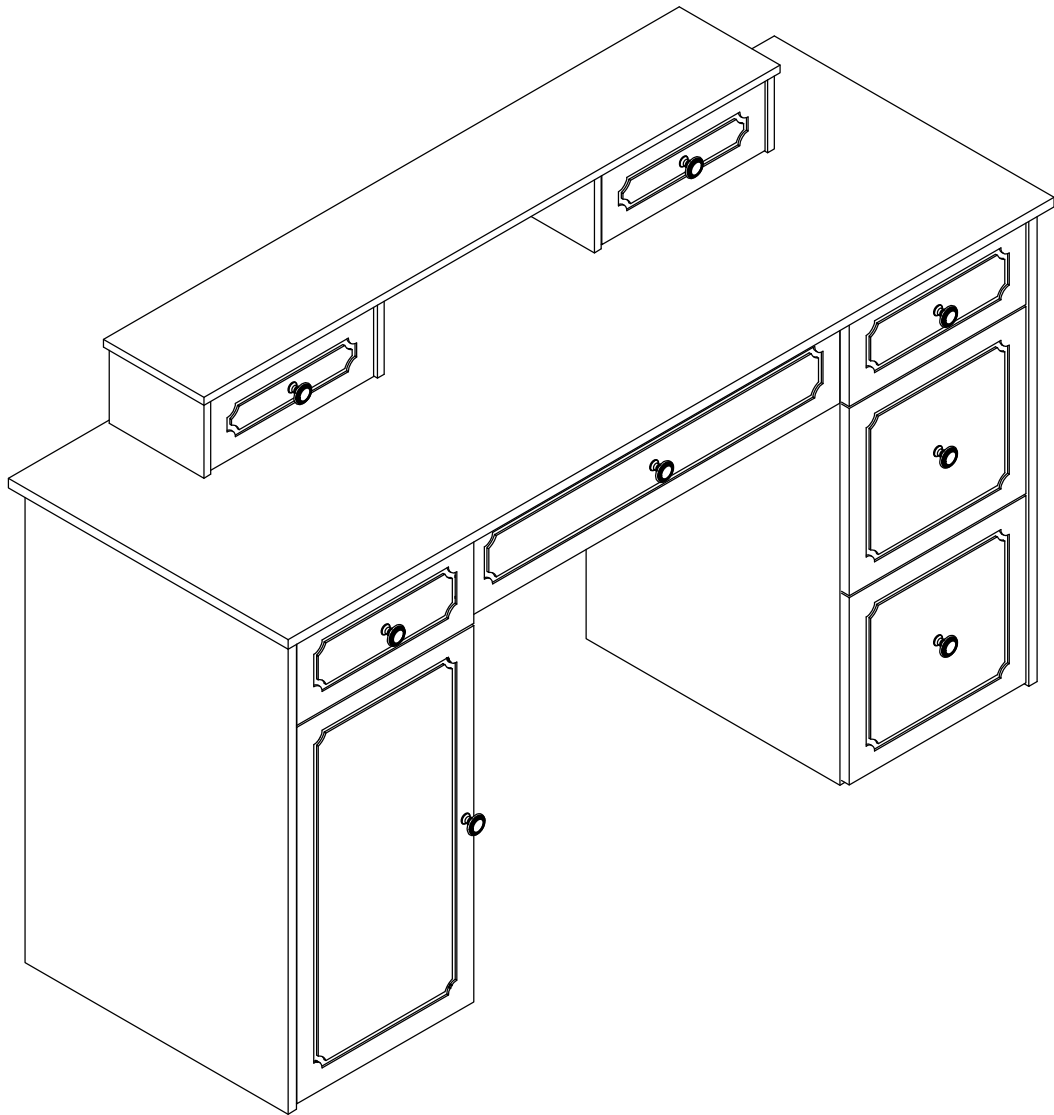
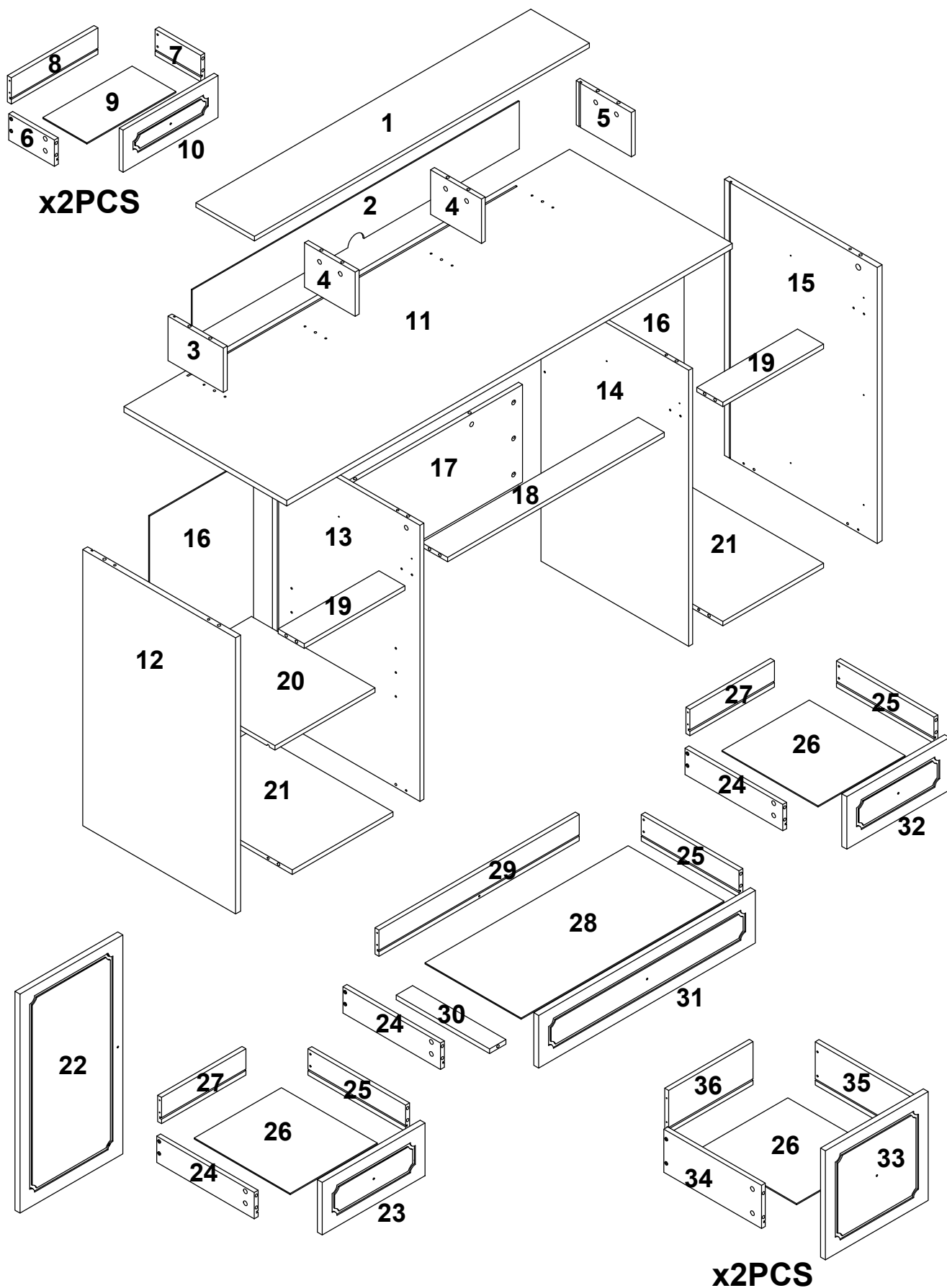


SKU: SF001066



BOARD IDENTIFICATION



Trouble Shooting

Missing/Damaged pieces/
Wrong size and installation issues



Contact us with your problem, pic,
number and qty to the "Contact seller"
button in the detail page of your order



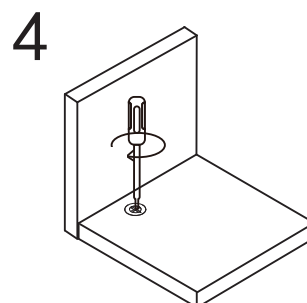
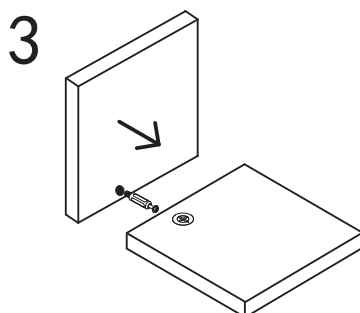
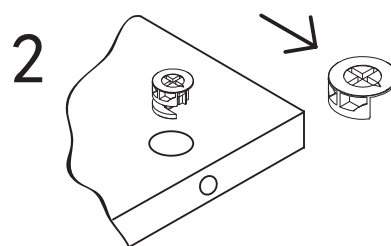
Respond with 24 hours to solve issue

Before You Start

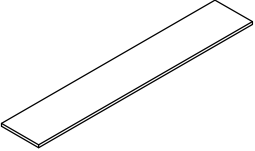
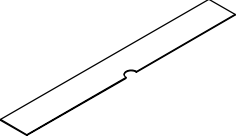
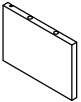
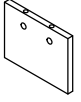
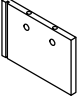
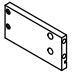
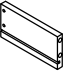
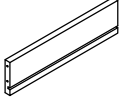
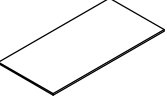
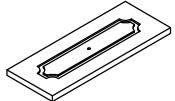
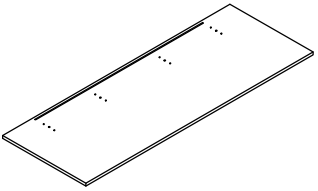
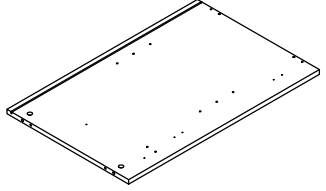
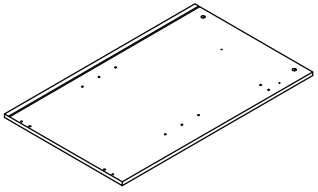
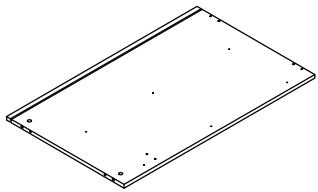
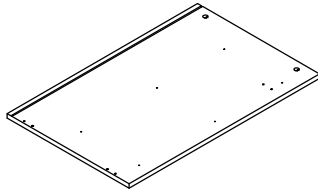
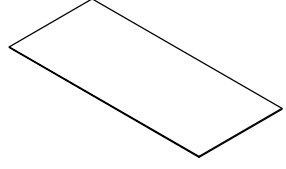
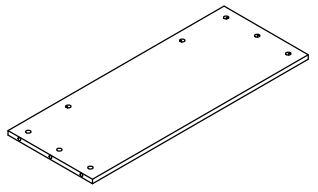
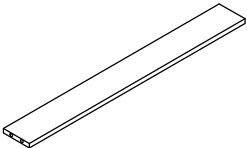
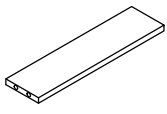
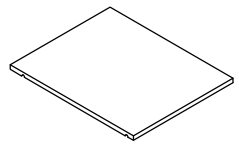
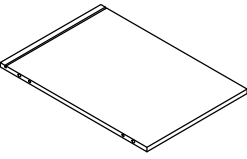
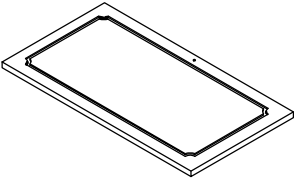
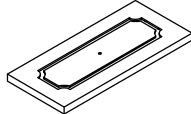
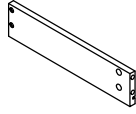
1. Read through each step carefully and follow the proper order
2. Separate and count all your parts and hardware
3. Give yourself enough room for the assembly process
4. Caution: If using a power drill or power screwdriver for screwing, please be aware to slow down and stop when screw is tight. Failure to do so may result in stripping the screw

Cam Lock Fastening System

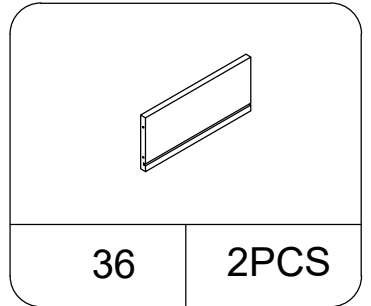
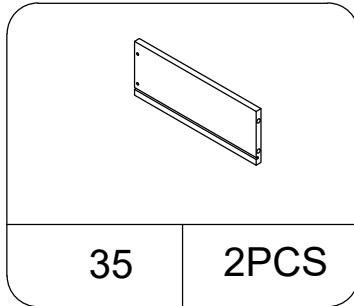
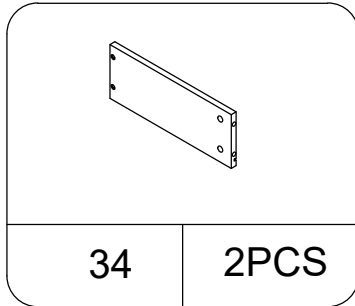
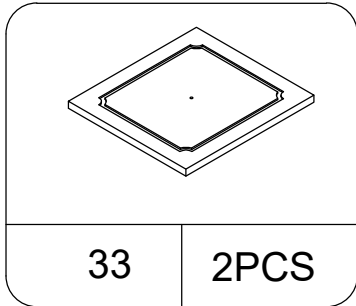
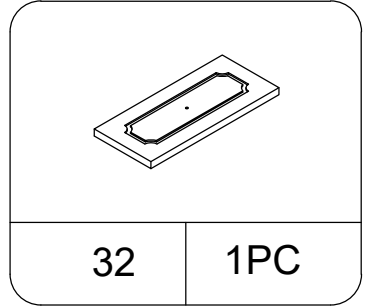
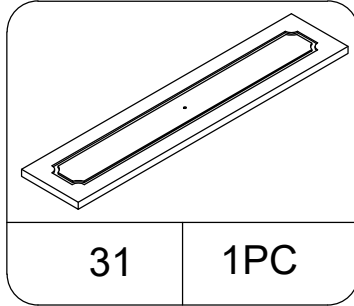
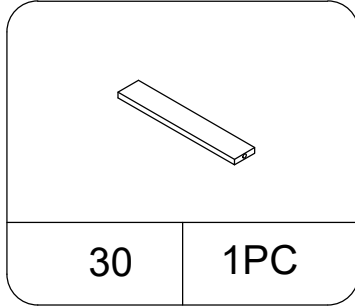
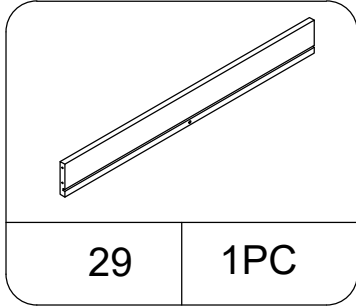
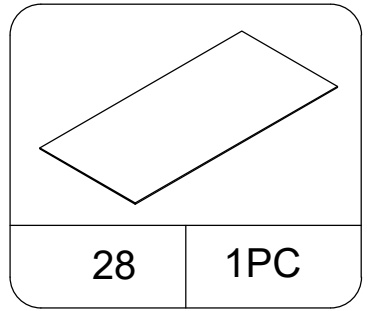
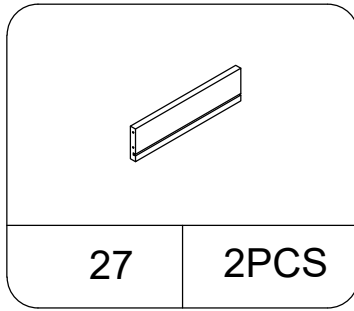
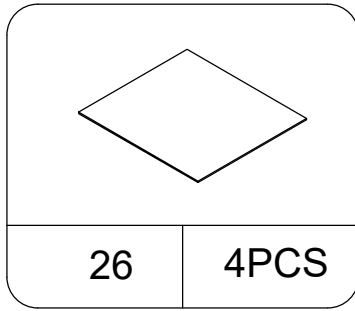
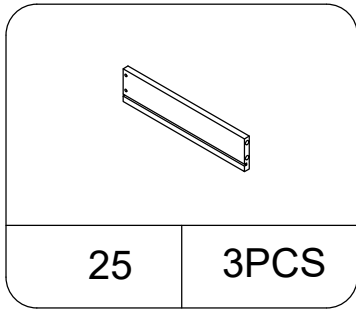
This Cam Lock Fastening System will be used throughout the assembly process




Parts List

							
1	1PC	2	1PC	3	1PC	4	2PCS
							
5	1PC	6	2PCS	7	2PCS	8	2PCS
							
9	2PCS	10	2PCS	11	1PC	12	1PC
							
13	1PC	14	1PC	15	1PC	16	2PCS
							
17	1PC	18	1PC	19	2PCS	20	1PC
							
21	2PCS	22	1PC	23	1PC	24	3PCS

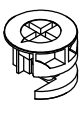
Parts List



Hardware List




A	74PCS
---	-------




Ø15

B	4PCS
---	------




M6*30mm

C	20PCS
---	-------




Ø4*40mm

D	36PCS
---	-------




E	8PCS
---	------



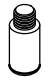
M3*12mm

F	40PCS
---	-------

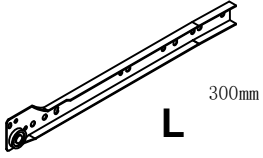


M4*18mm

G	8PCS
---	------

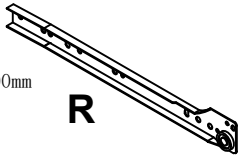


H	4PCS
---	------



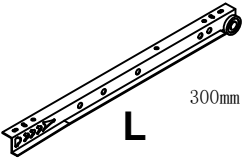
300mm
L

I	5PCS
---	------



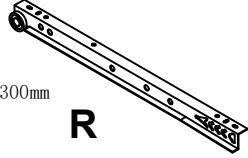
300mm
R

J	5PCS
---	------




300mm
L

K	5PCS
---	------




300mm
R

L	5PCS
---	------



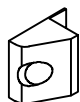
Ø12

M	70PCS
---	-------

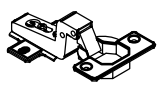


M3*14mm


N	12PCS
---	-------



O	12PCS
---	-------

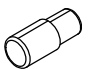


P	2PCS
---	------



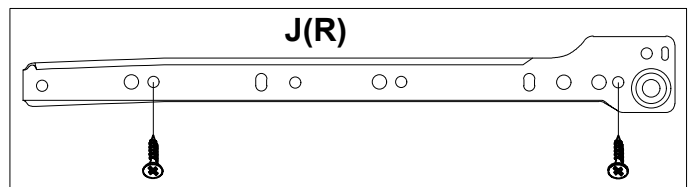
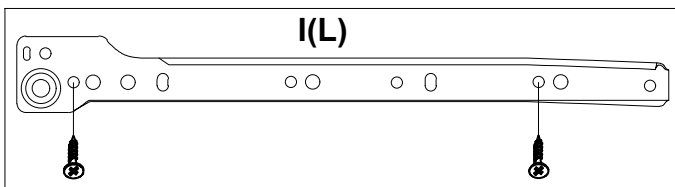
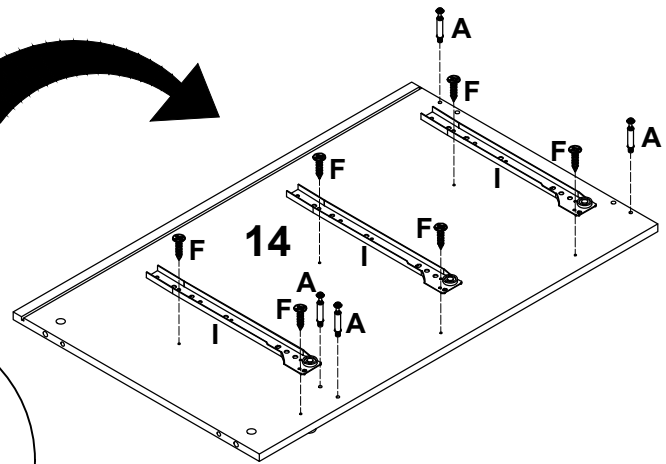
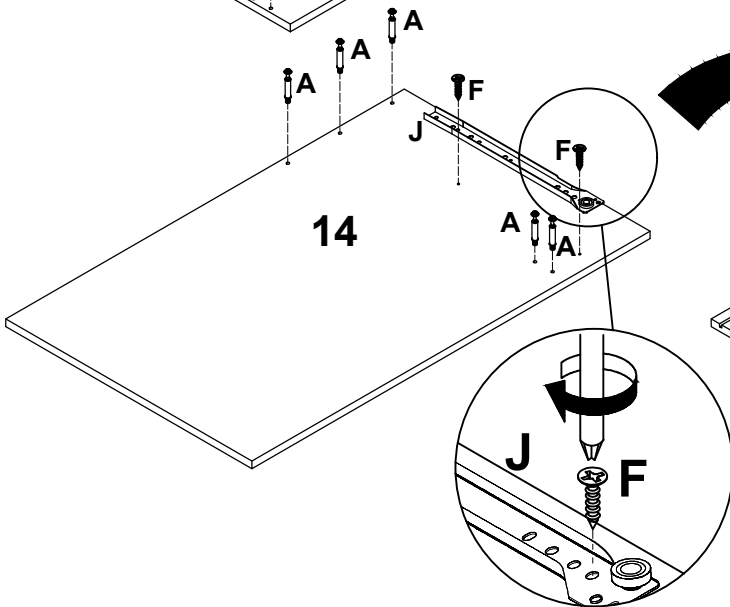
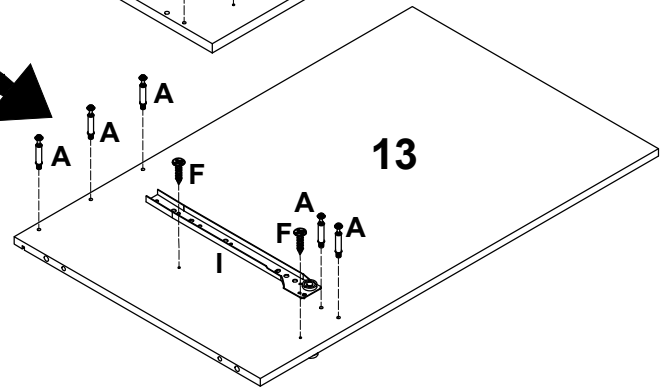
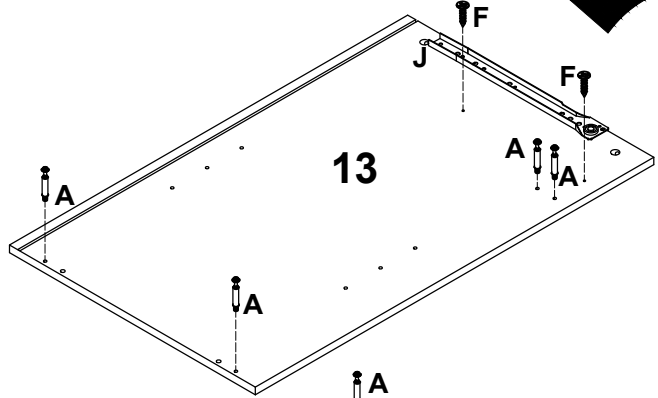
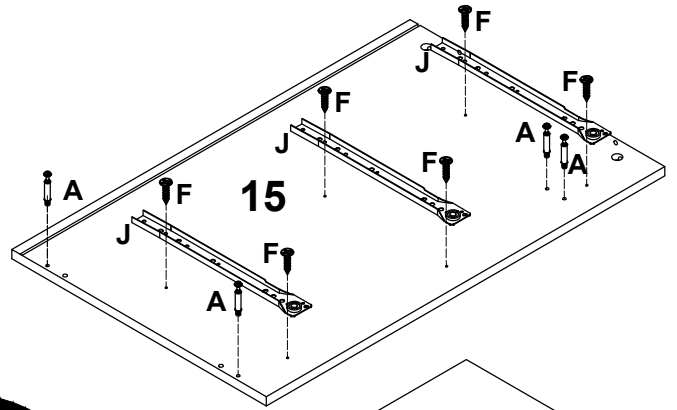
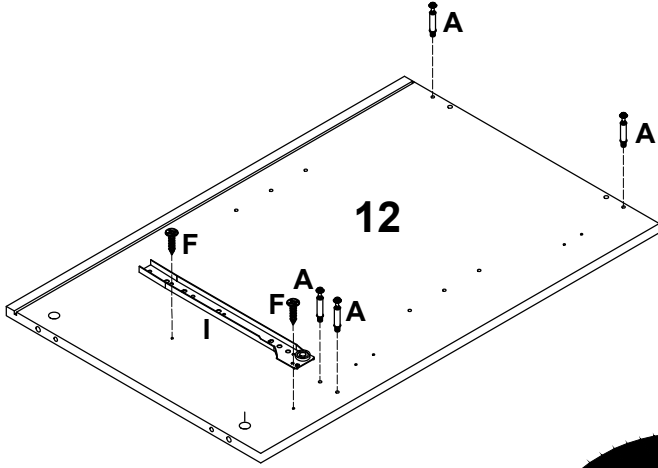
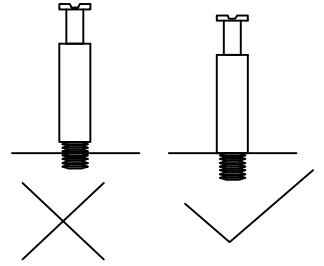
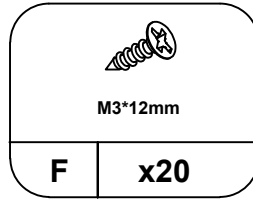
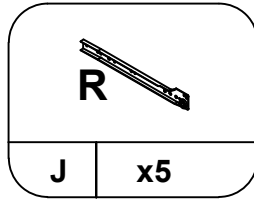
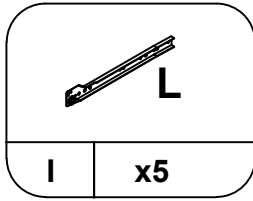
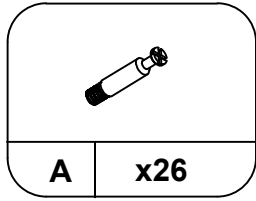
M3.5*14mm

Q	8PCS
---	------

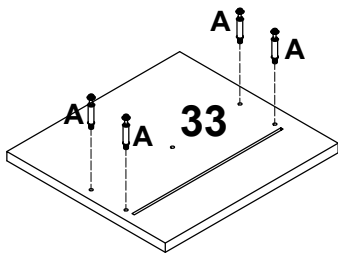
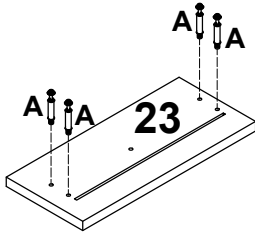
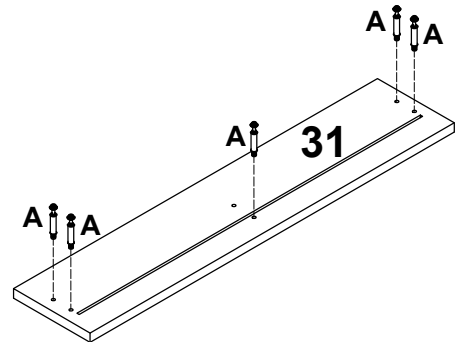
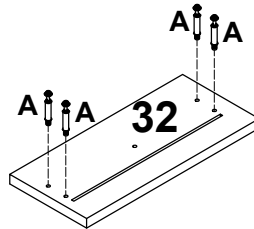
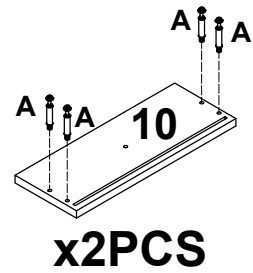
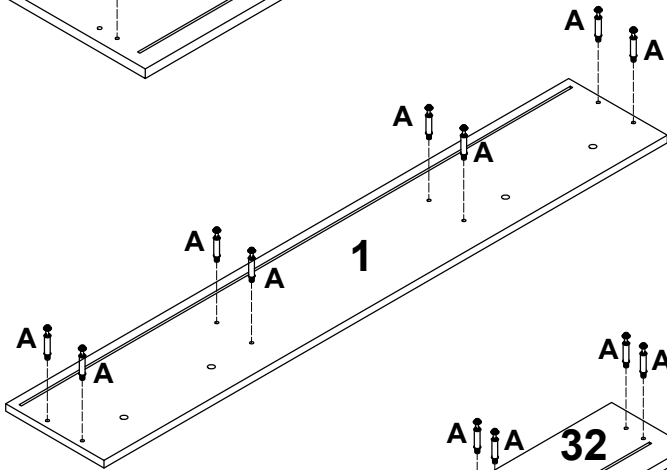
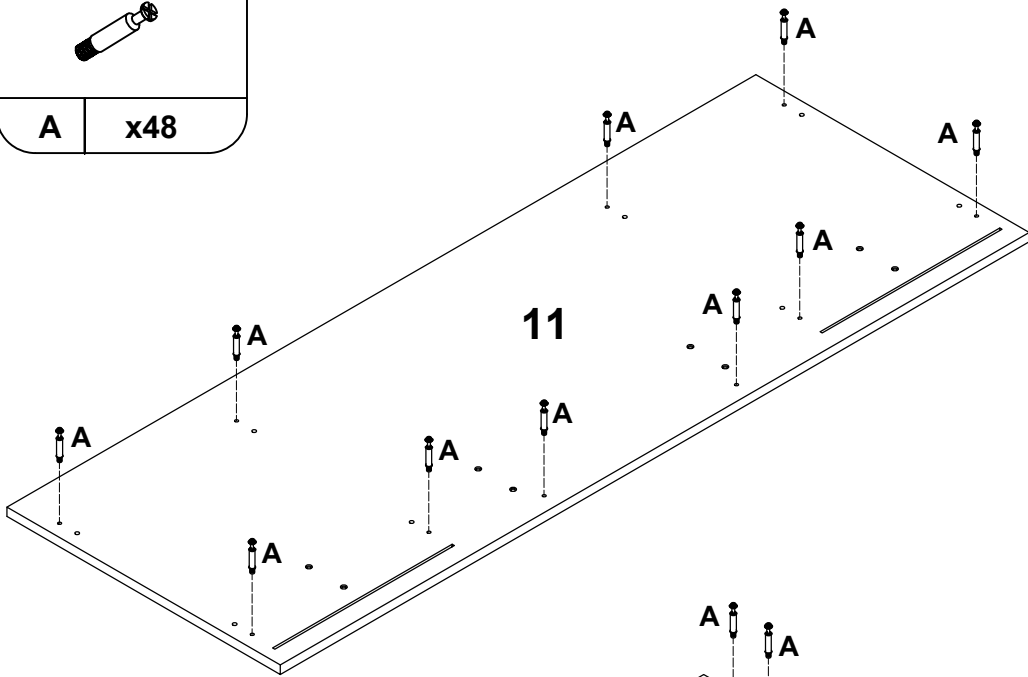
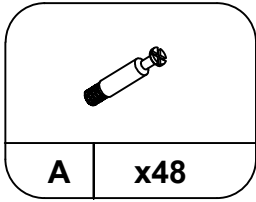
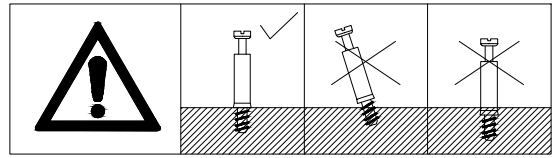


R	4PCS
---	------

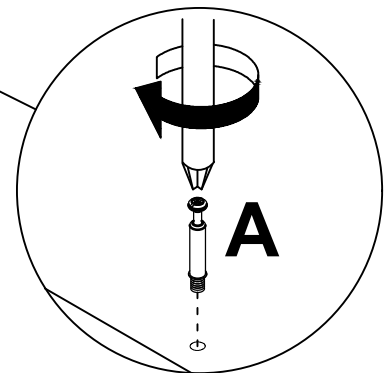
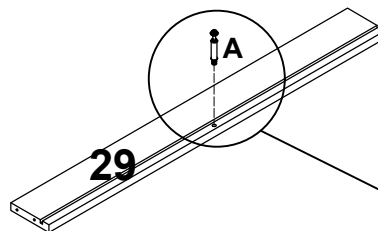
STEP 1



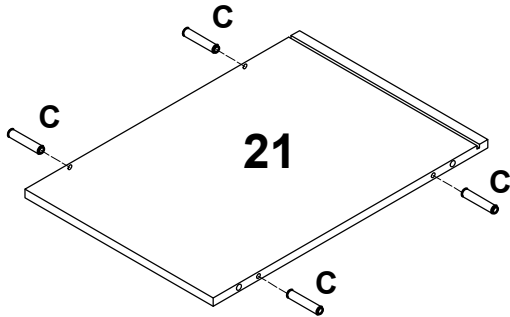
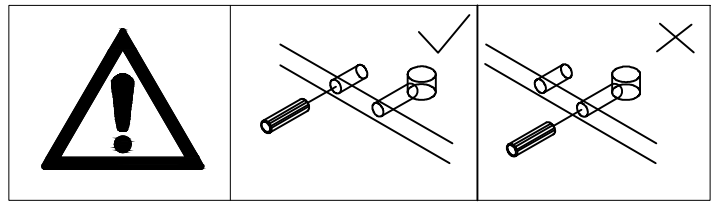
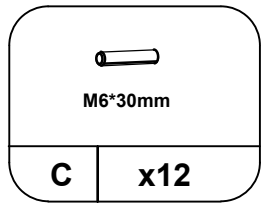
STEP 2



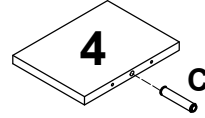
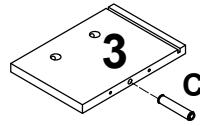
x2PCS



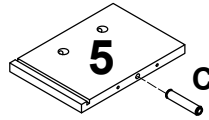
STEP 3



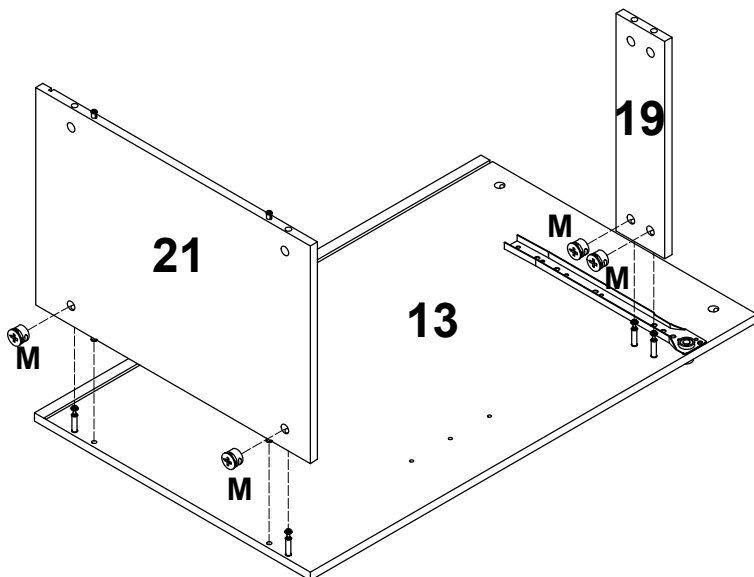
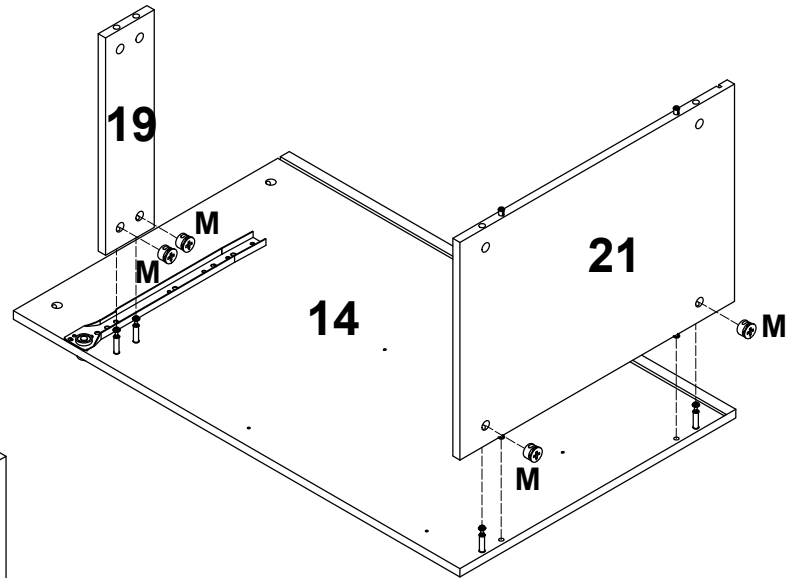
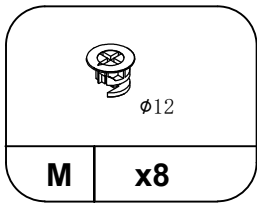
x2PCS



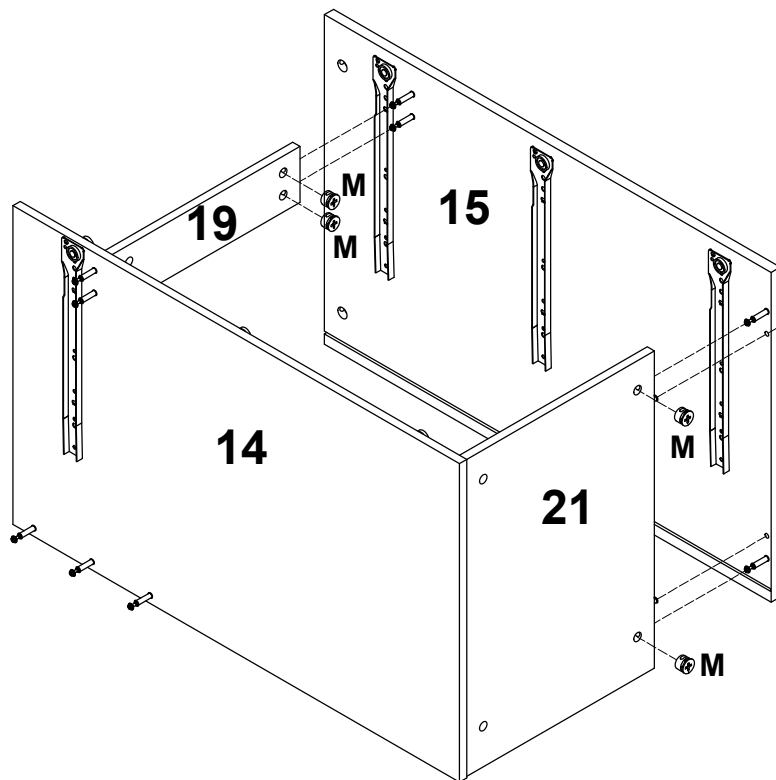
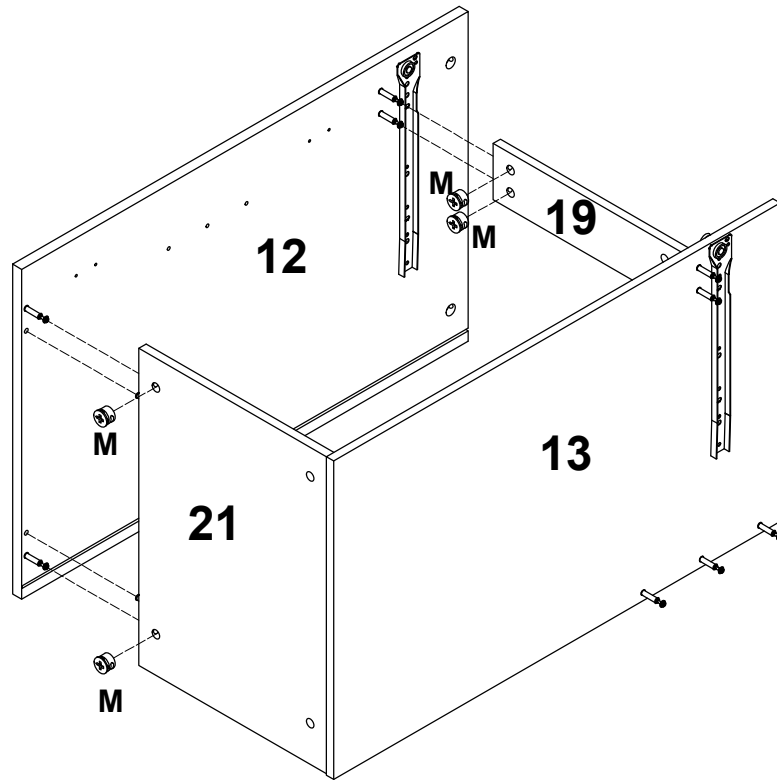
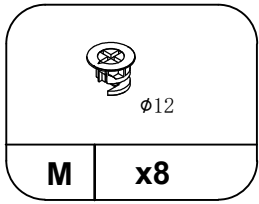
x2PCS



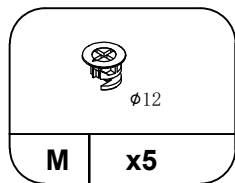
STEP 4



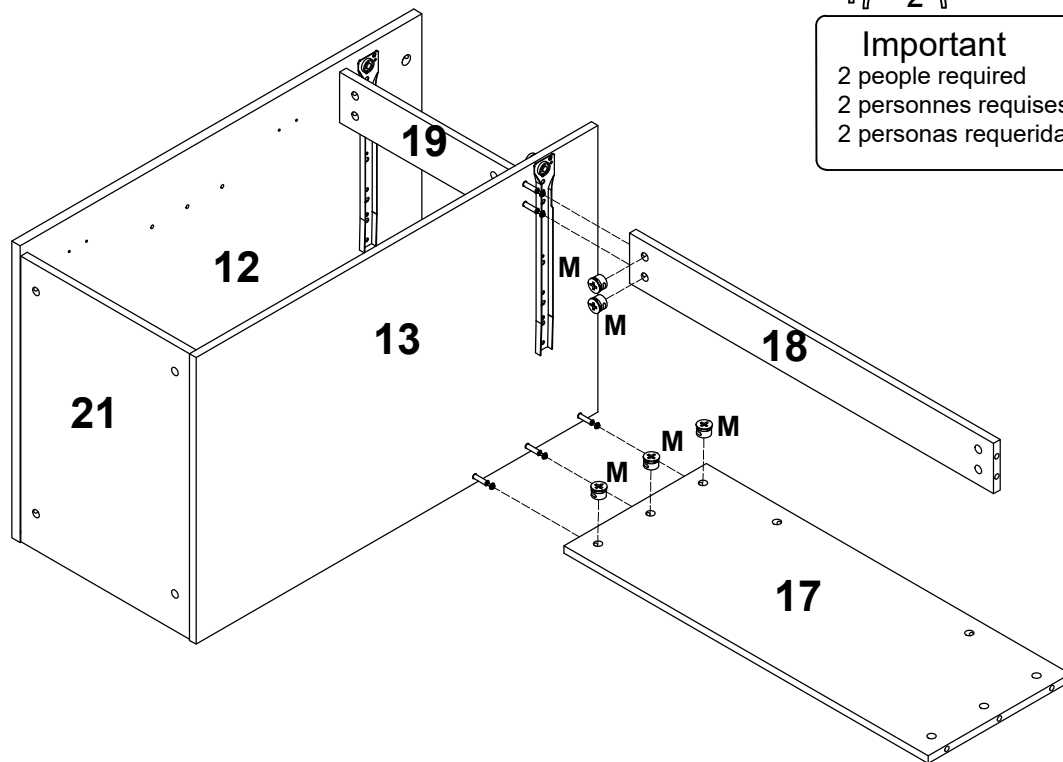
STEP 5



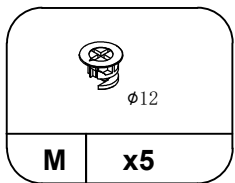
STEP 6



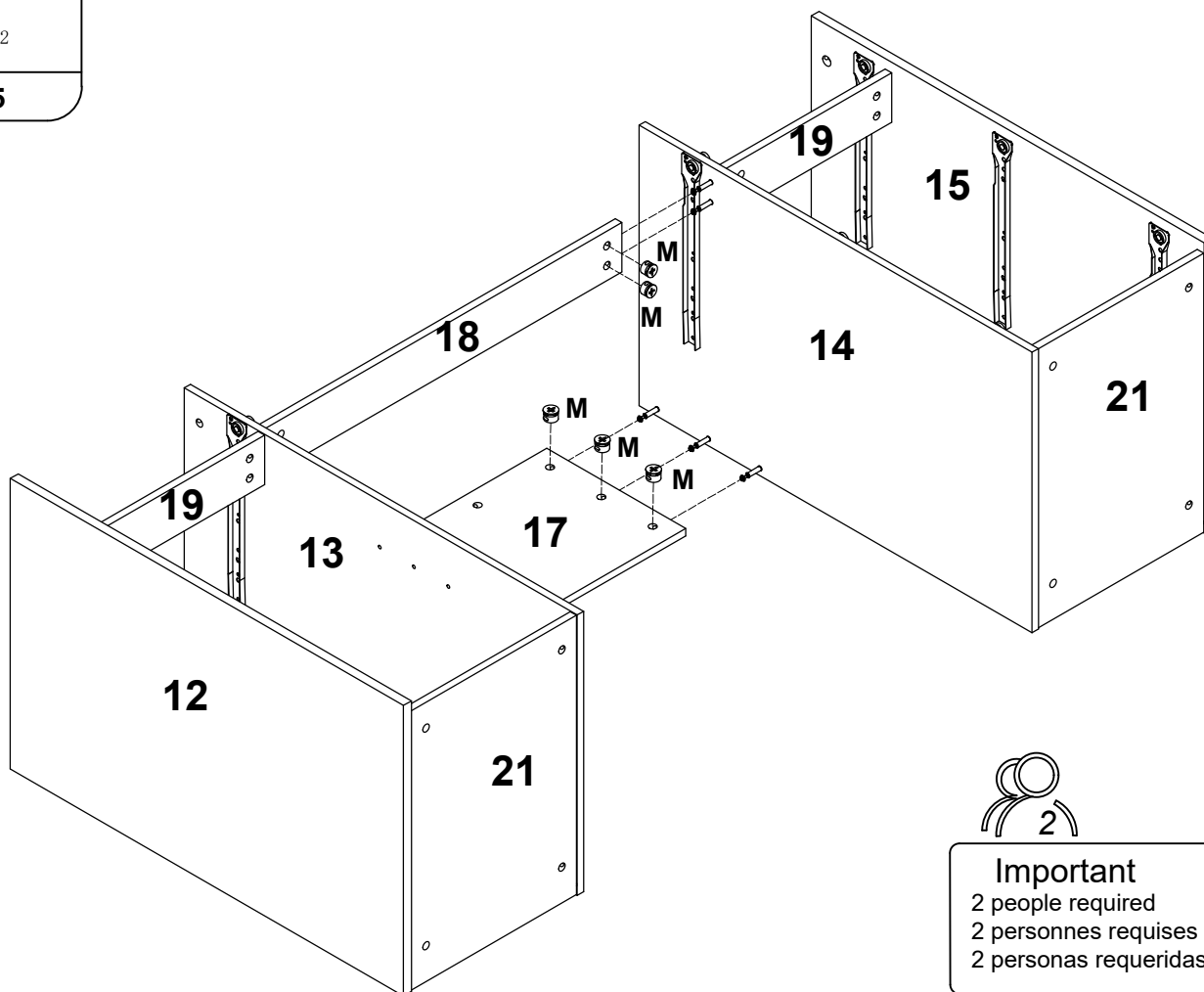
Important
2 people required
2 personnes requises
2 personas requeridas



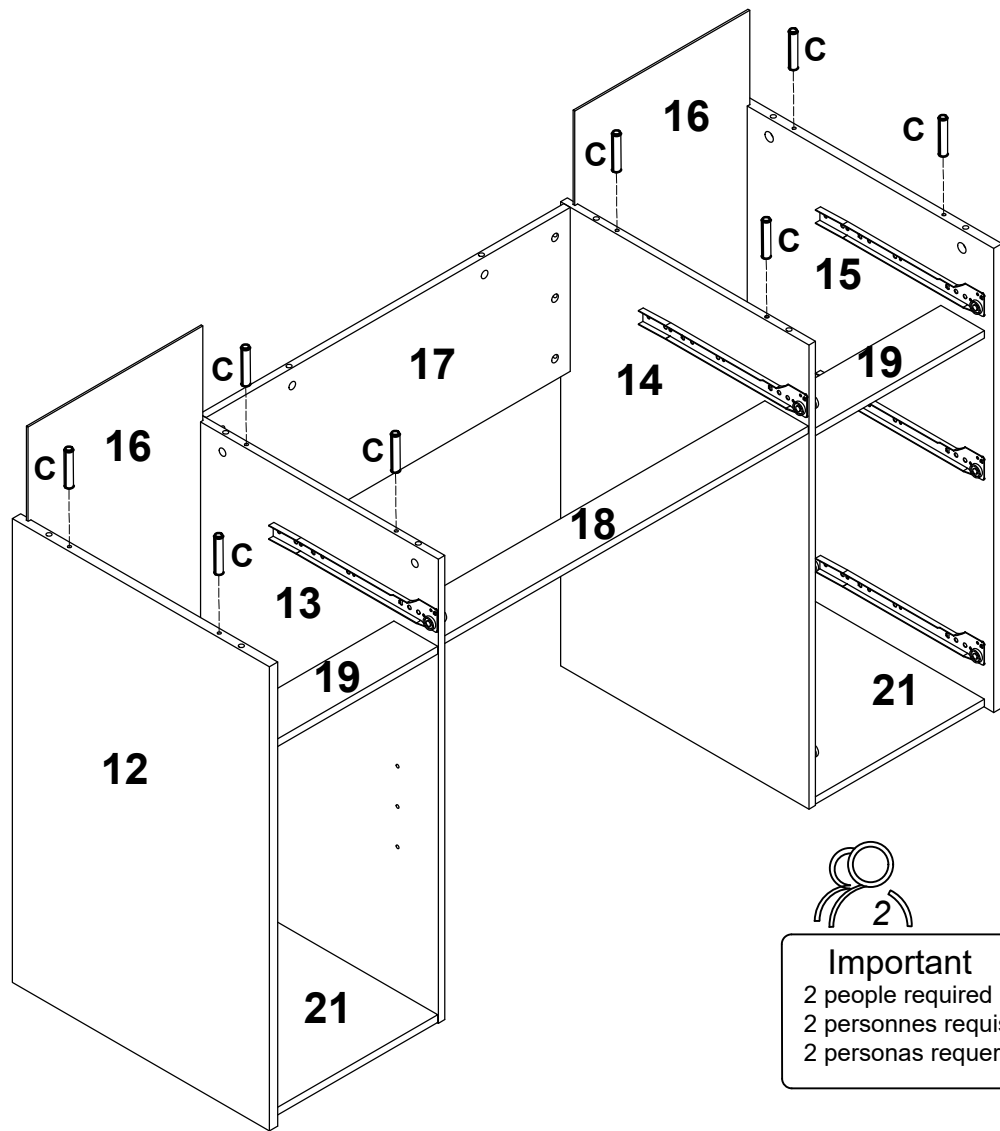
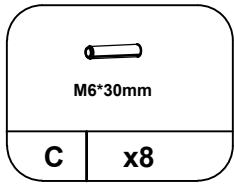
STEP 7



Important
2 people required
2 personnes requises
2 personas requeridas

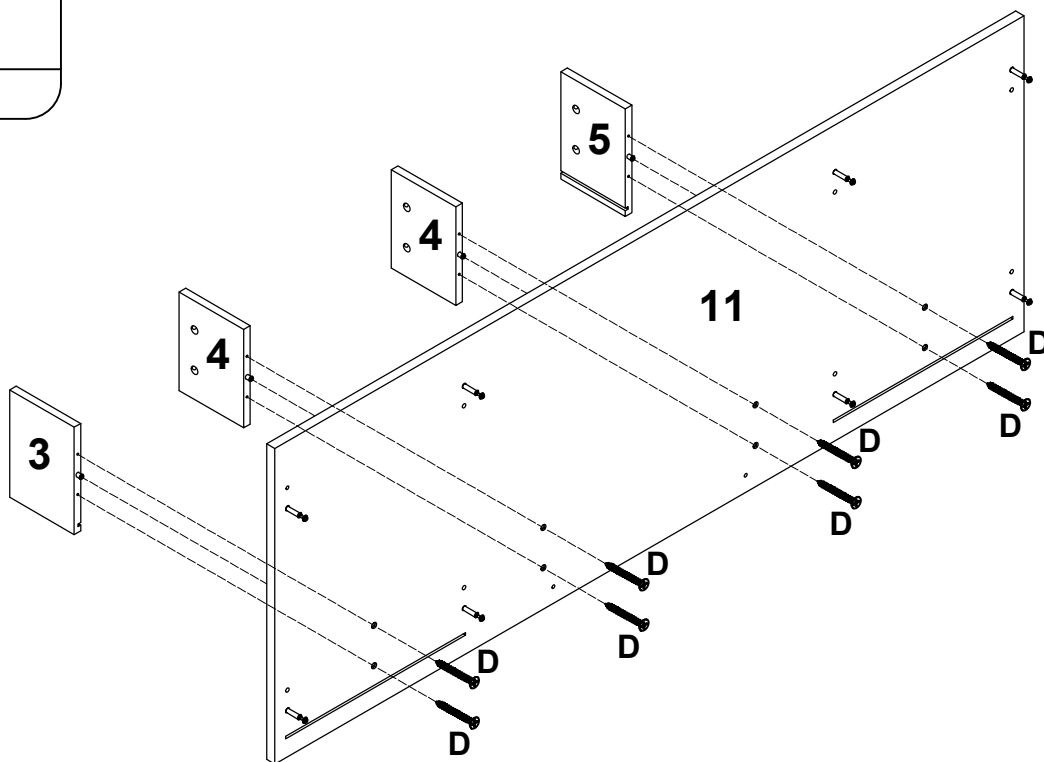
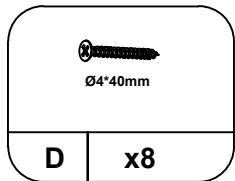


STEP 8

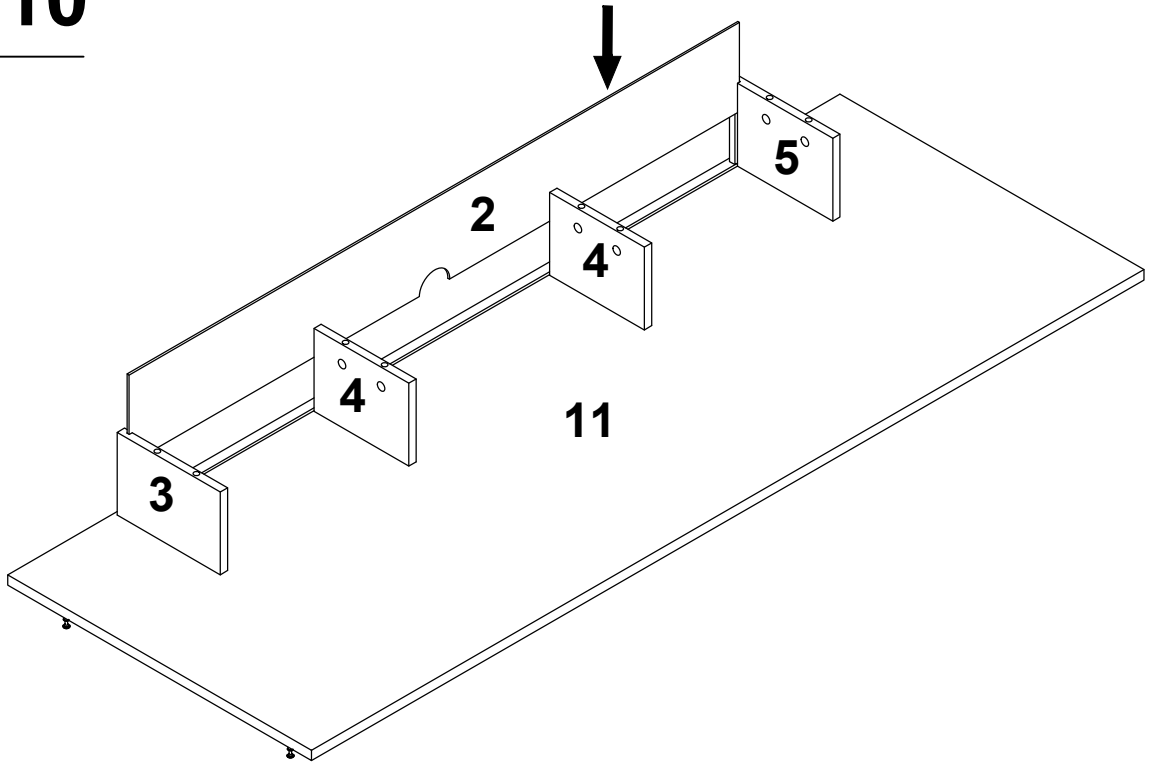


Important
2 people required
2 personas requiridas

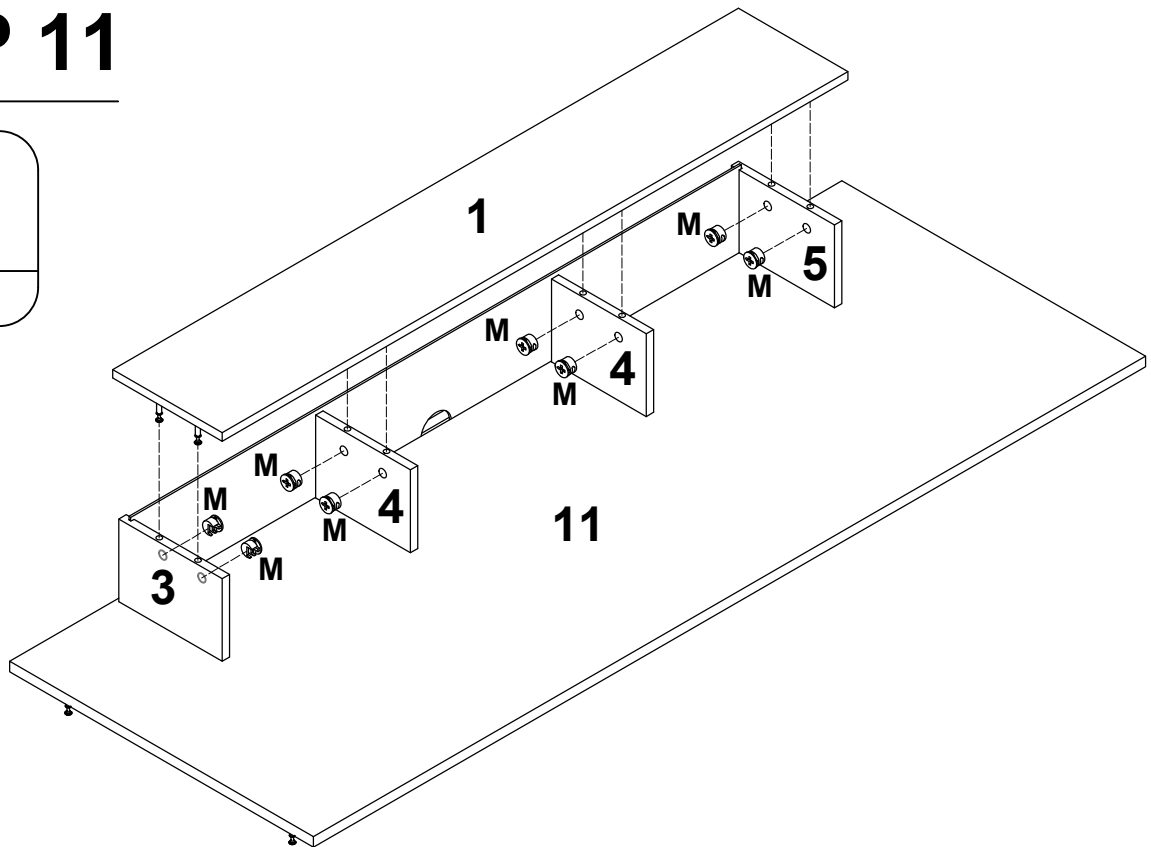
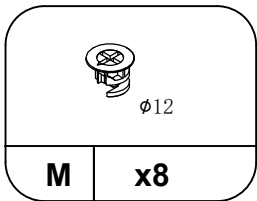
STEP 9



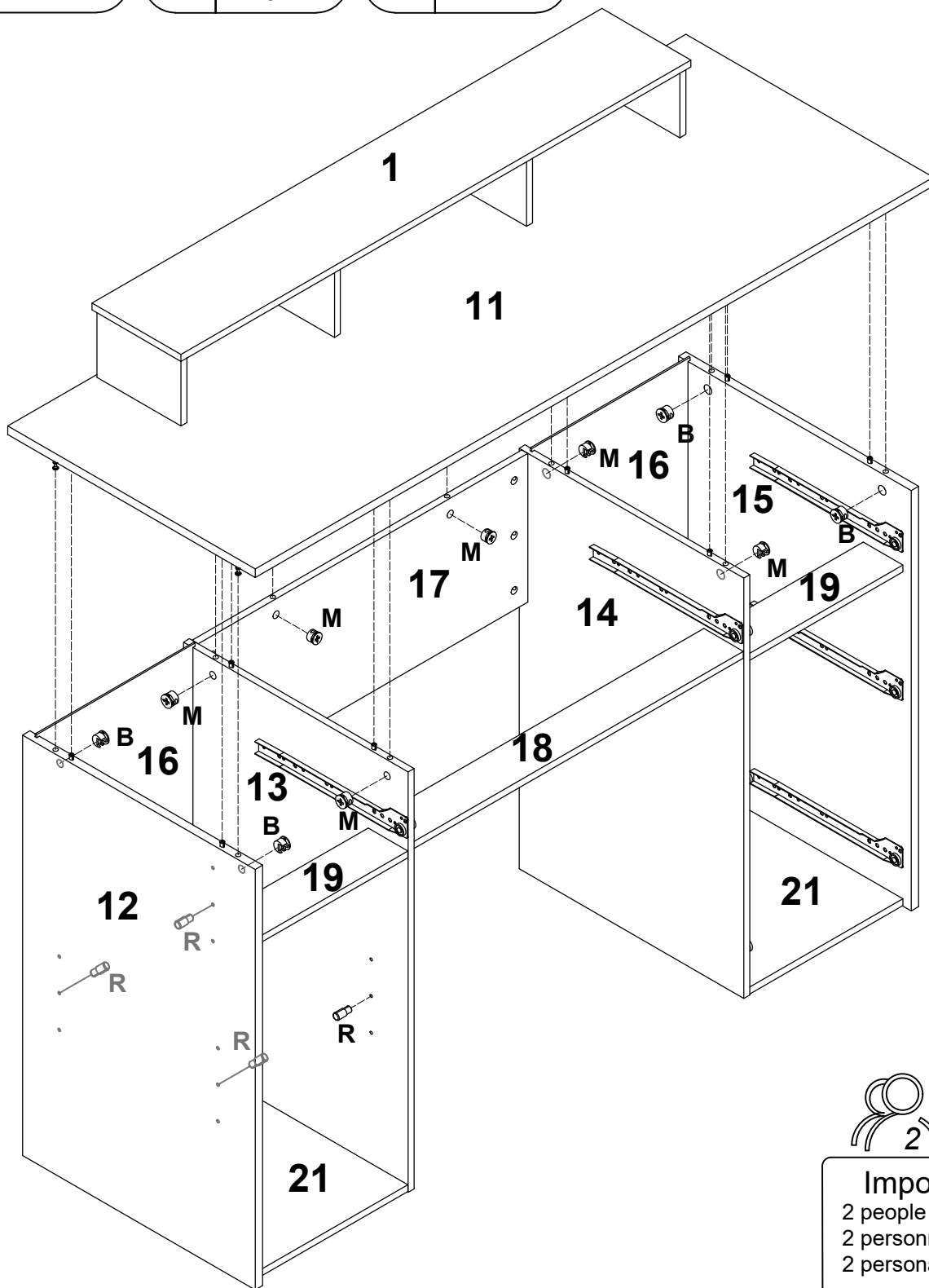
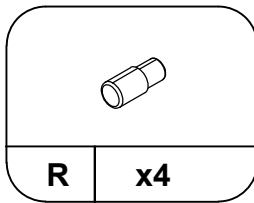
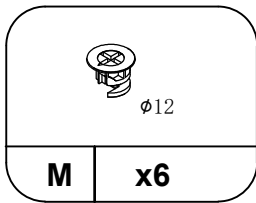
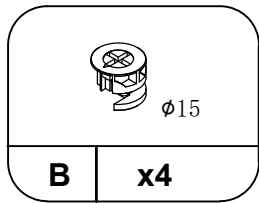
STEP 10



STEP 11



STEP 12



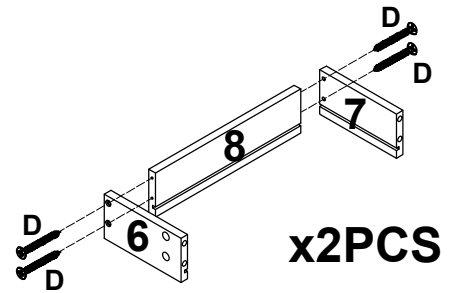
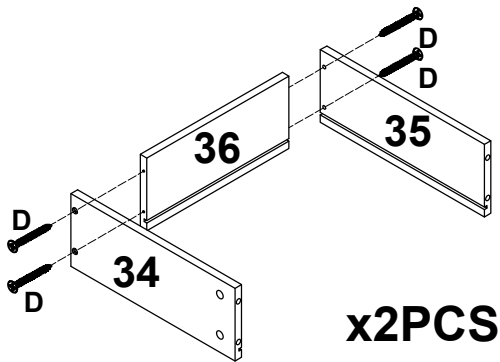
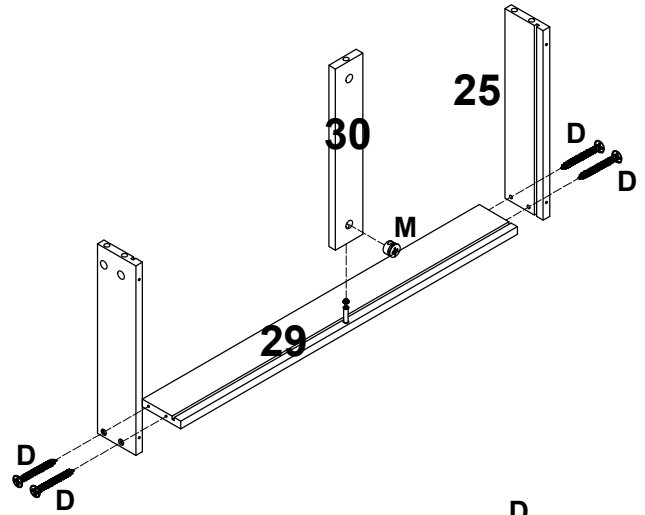
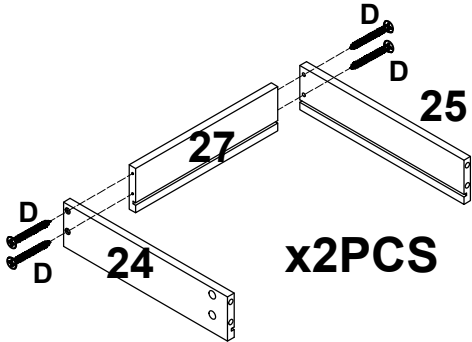
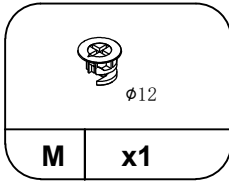
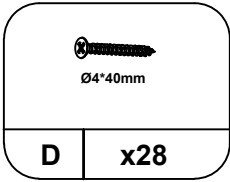
Important

2 people required

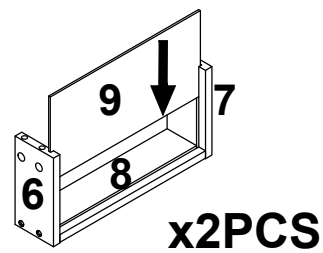
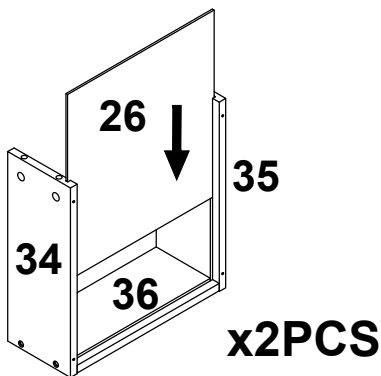
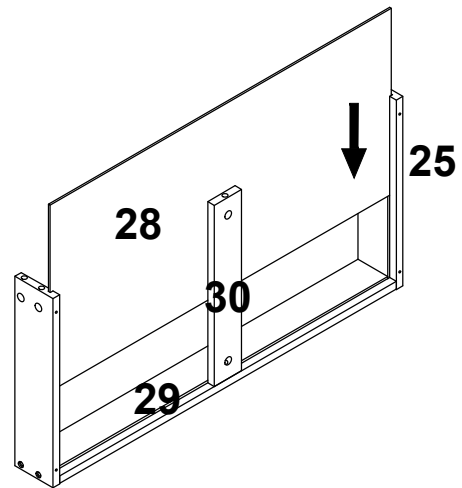
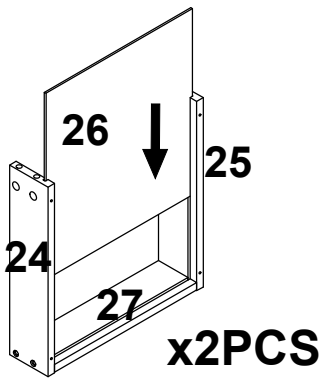
2 personnes requises

2 personas requeridas

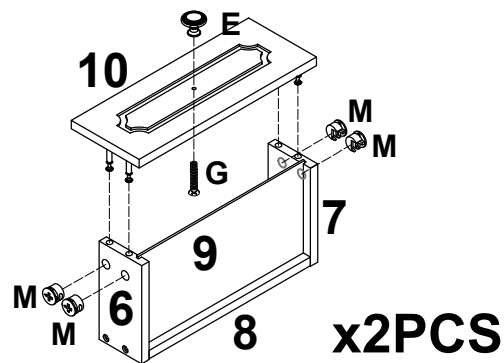
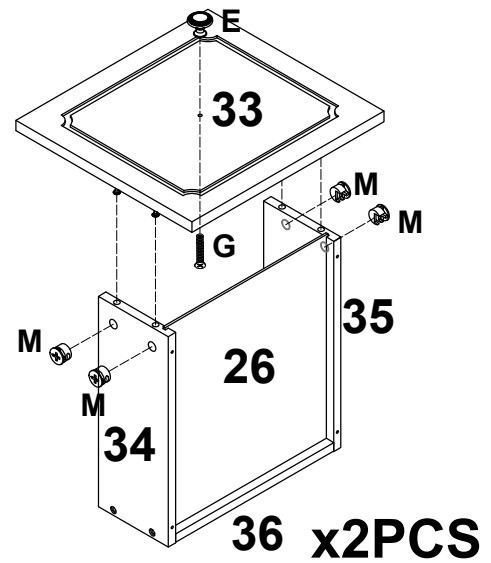
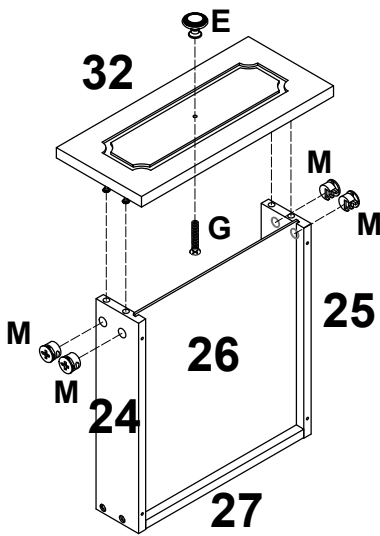
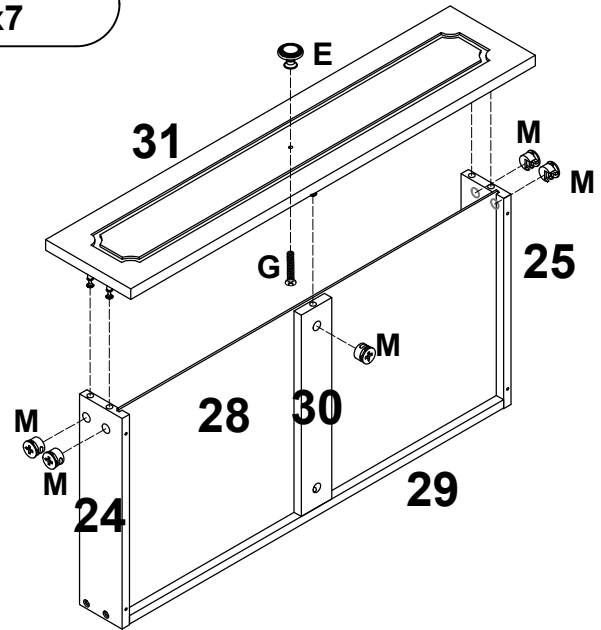
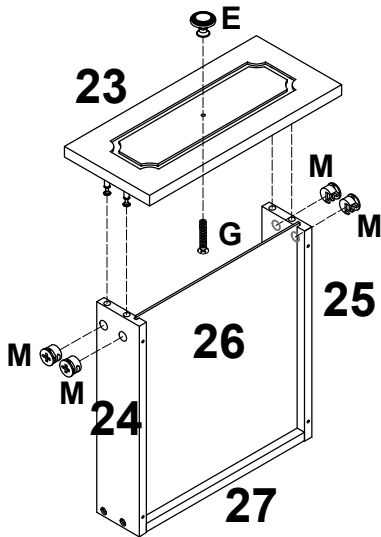
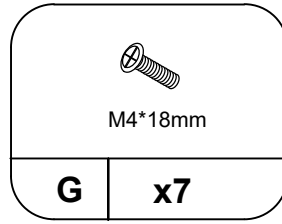
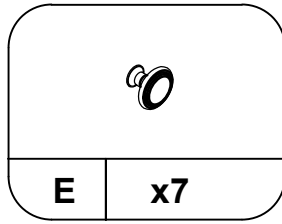
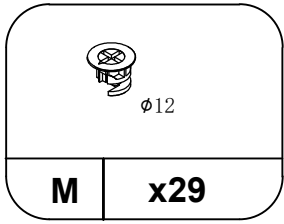
STEP 13



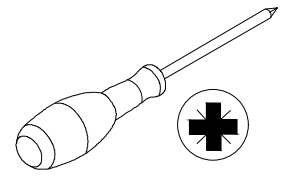
STEP 14






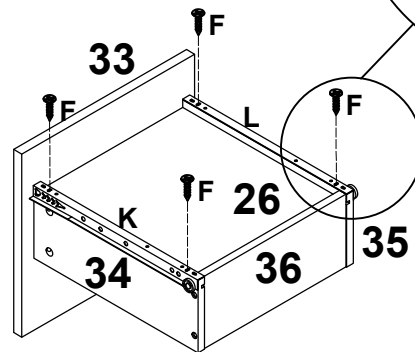
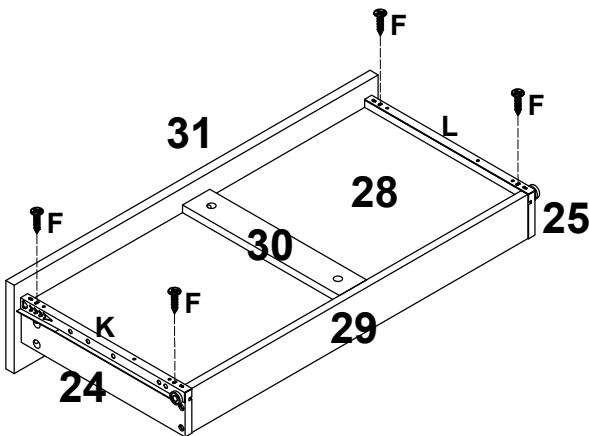
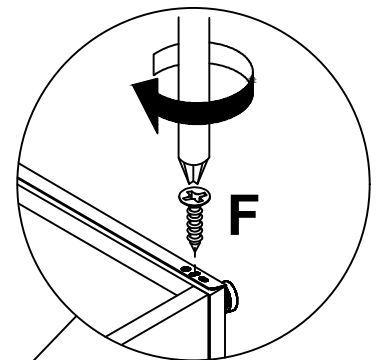
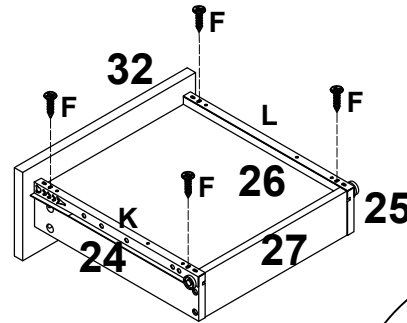
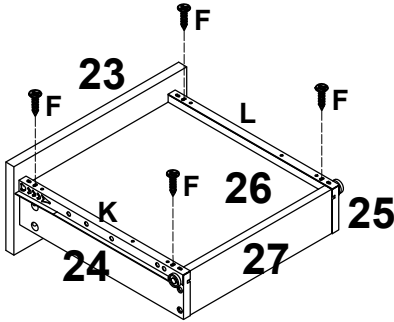
STEP 15



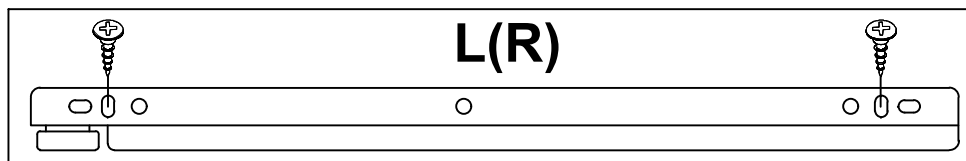
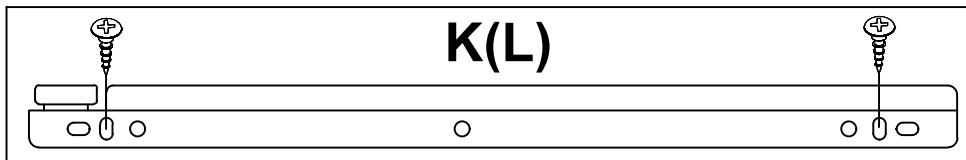
STEP 16



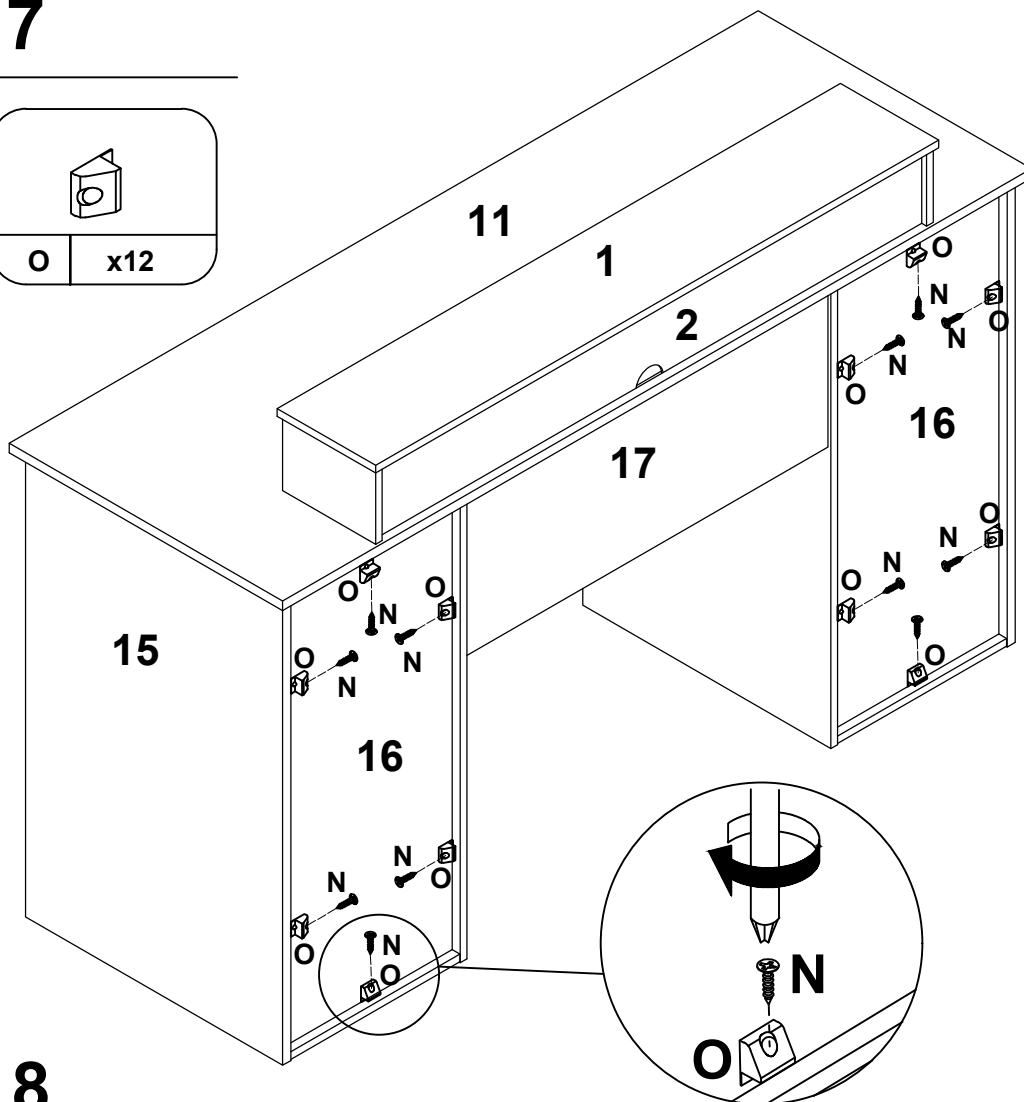
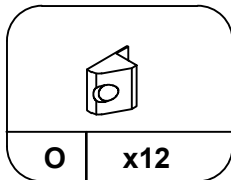
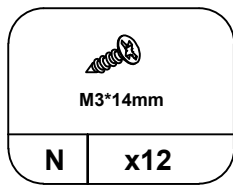
 M3*12mm		 L		 R	
F	x20	K	x5	L	x5



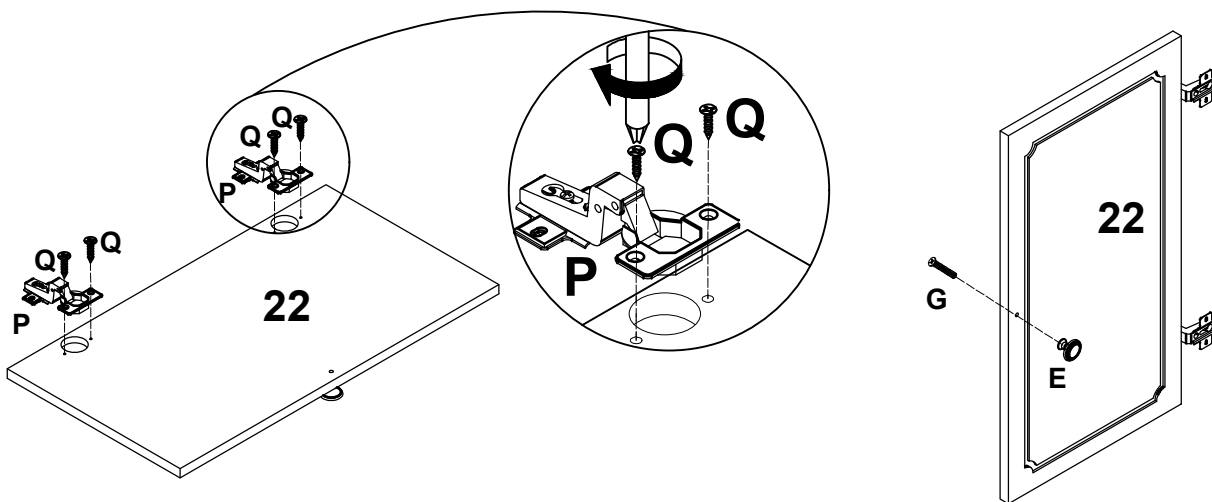
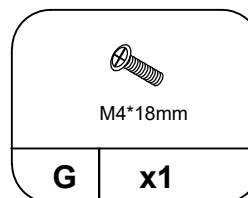
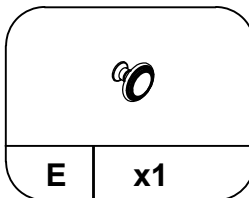
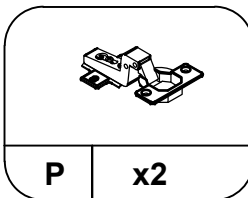
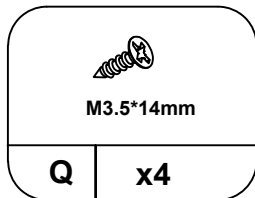
x2PCS



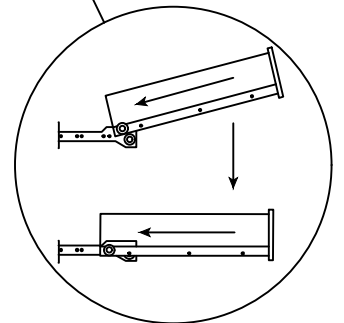
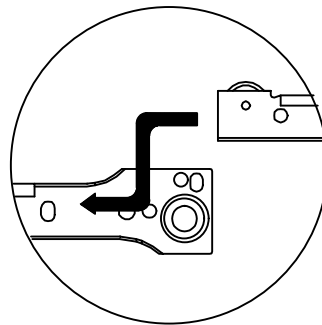
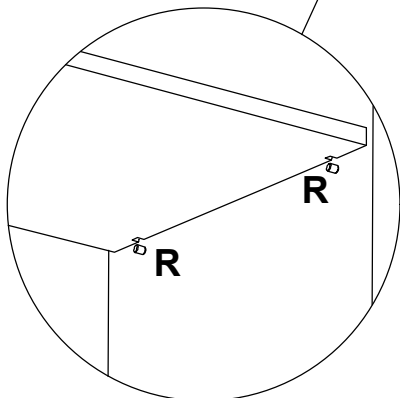
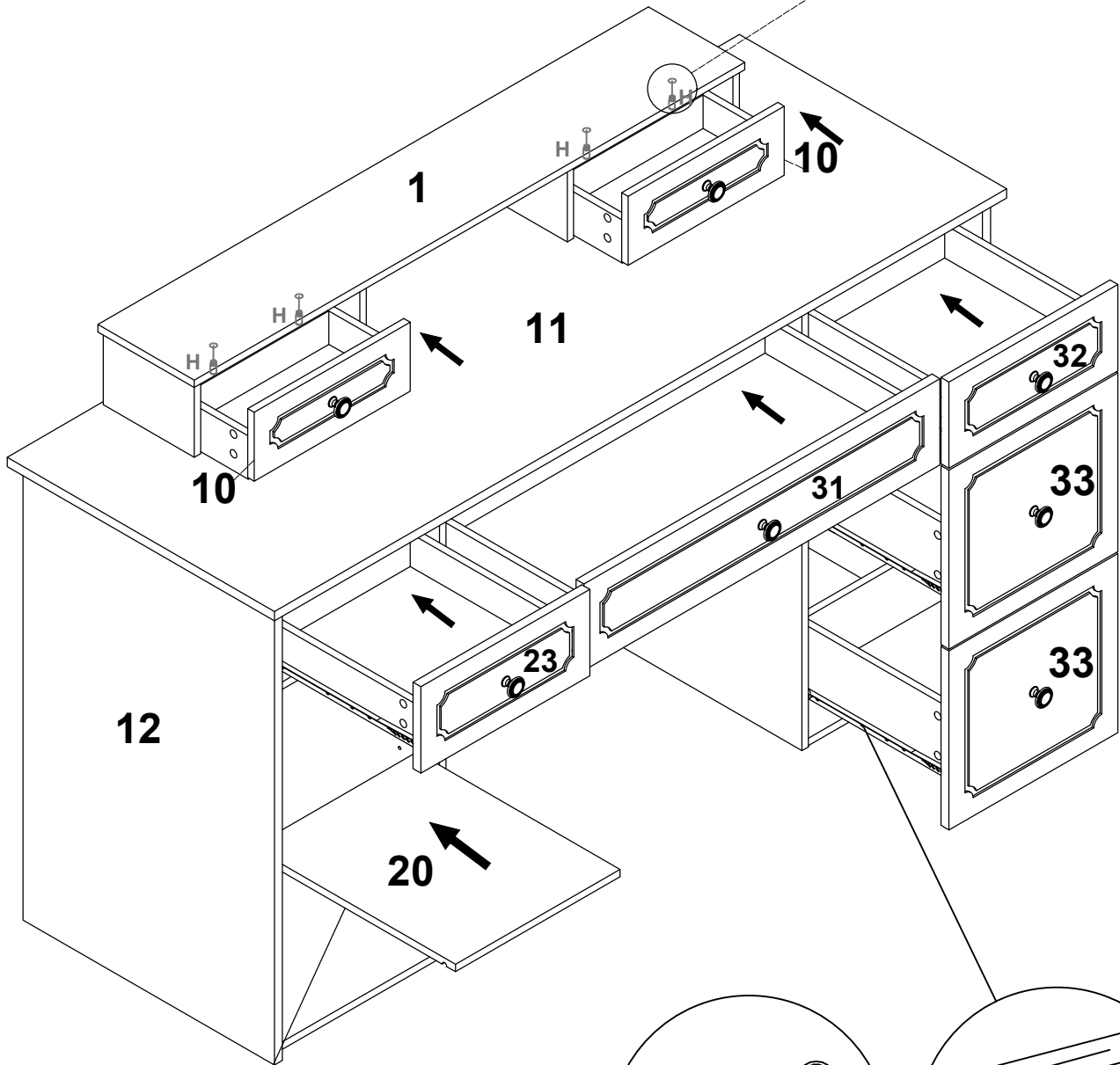
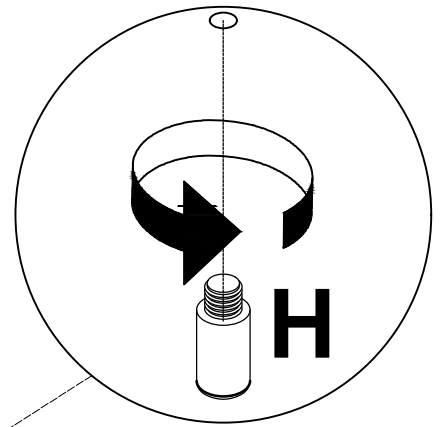
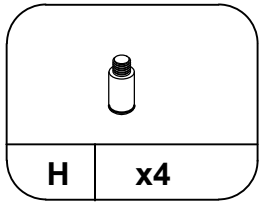
STEP 17



STEP 18



STEP 19



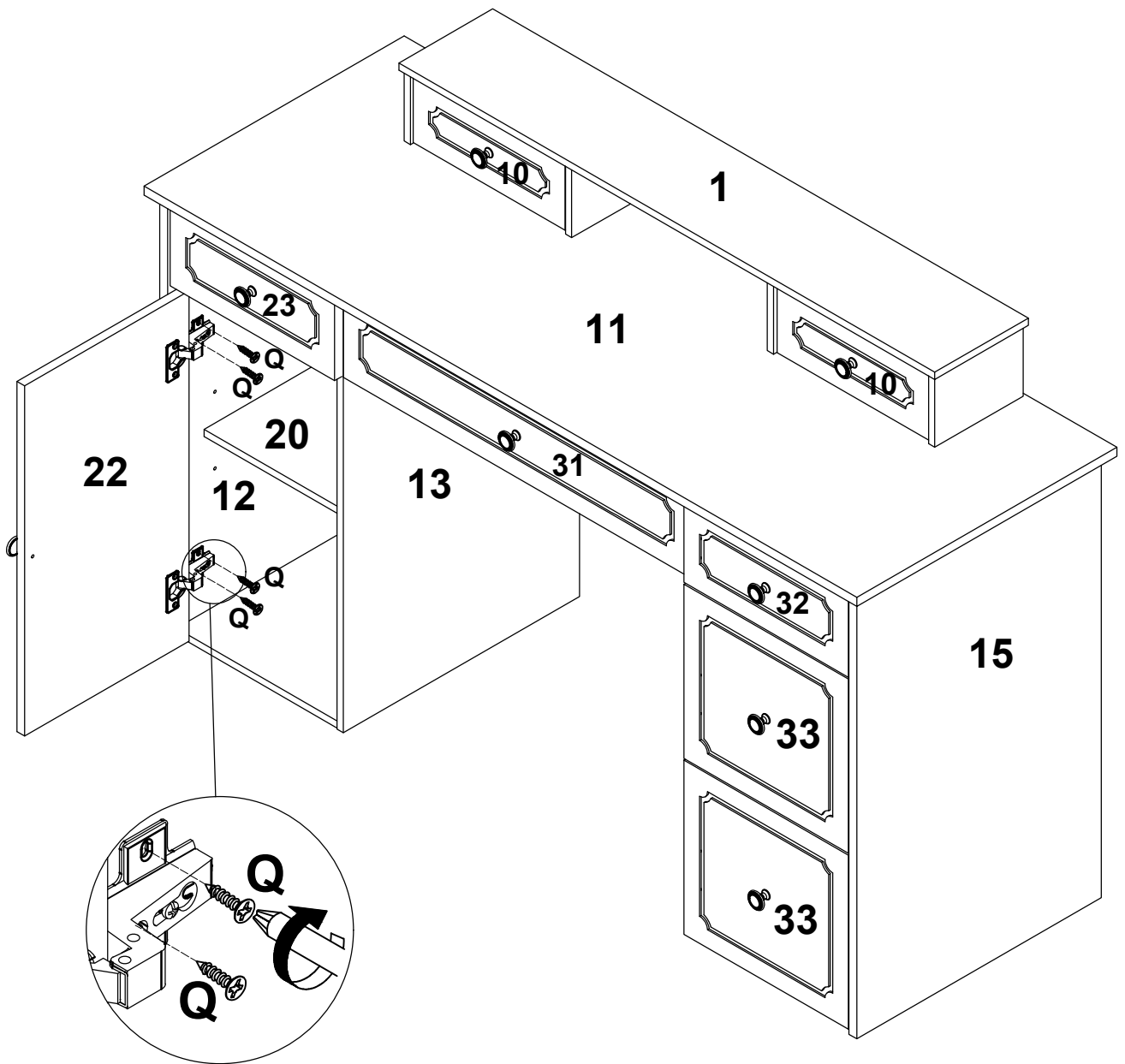
STEP 20



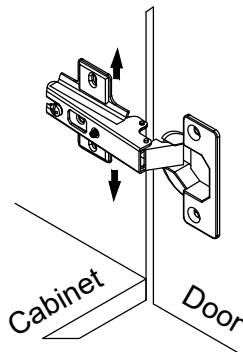
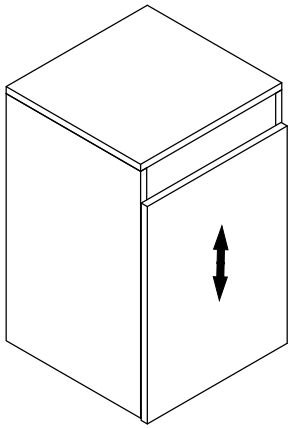
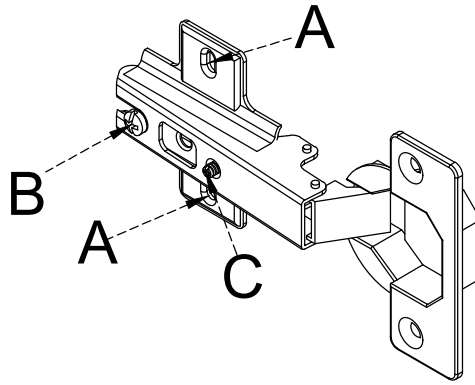
M3.5*14mm

Q

x4

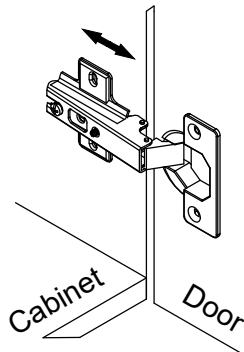
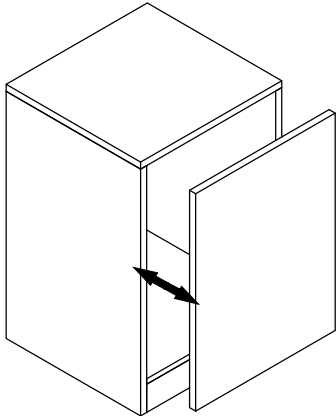


Door Hinge Adjustment Instructions



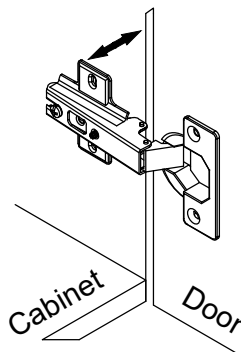
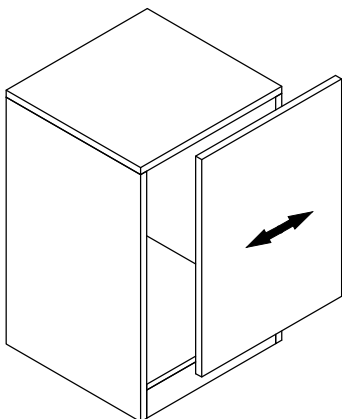
To adjust the vertical height.

Loosen the two screws "A" on hinges, Usually in slotted holes which allows you to adjust up or down by a few mm Then tighten back .



To adjust depth.

Loosen screw "B" and adjust door, if the door can not be adjusted, please loosen screw "C", then try again. Tighten screw "B" and "C"



To adjust side ways.

Turning the screw "C" on BOTH hinges on each door.