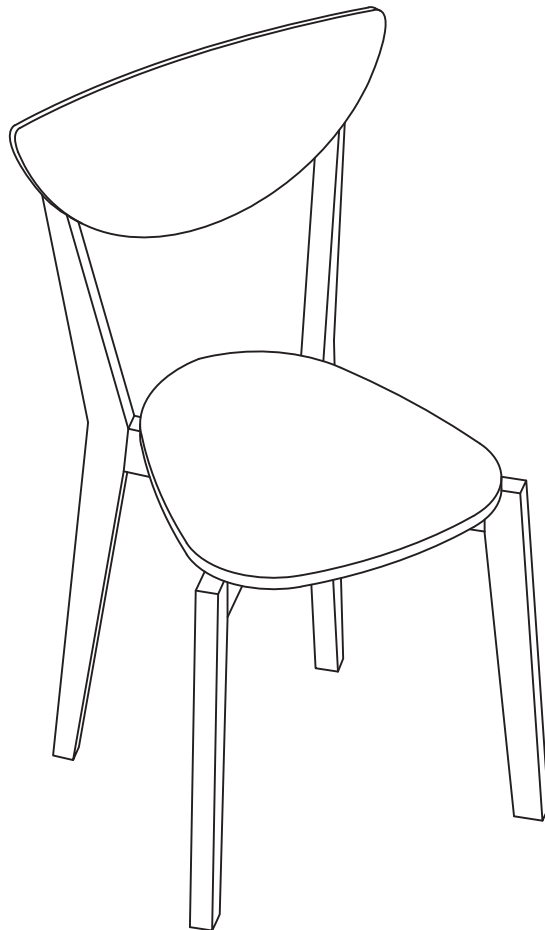


STACKABLE DINING CHAIR

Instruction manual



CONTENTS

Safety and care advice	1
Components – parts	2
Components – fittings	3
Assembly instructions	4
Copyright	7



SAFETY AND CARE ADVICE



PLEASE READ THESE INSTRUCTIONS CAREFULLY AND KEEP FOR FUTURE REFERENCE

Warning: This unit weights approximately 10kg. Please lift with care.

- Check you have all the components and tools listed on pages 2 and 3.
- Remove all fittings from the plastic bags and separate them into their groups.
- Keep children and animals away from the work area, small parts could choke if swallowed.
- Make sure you have enough space to layout the parts before starting.
- Do not stand or put weight on the product, this could cause damage.
- Assemble the item as close to its final position (in the same room) as possible.



- Assemble on a soft level surface to avoid damaging the unit or your floor (use opened out unit carton).
- We do not recommend the use of power drill/drivers **for inserting screws**, as this could damage the unit. Only use hand screwdrivers.
- Dispose of all packaging carefully and responsibly.

CARE AND MAINTENANCE

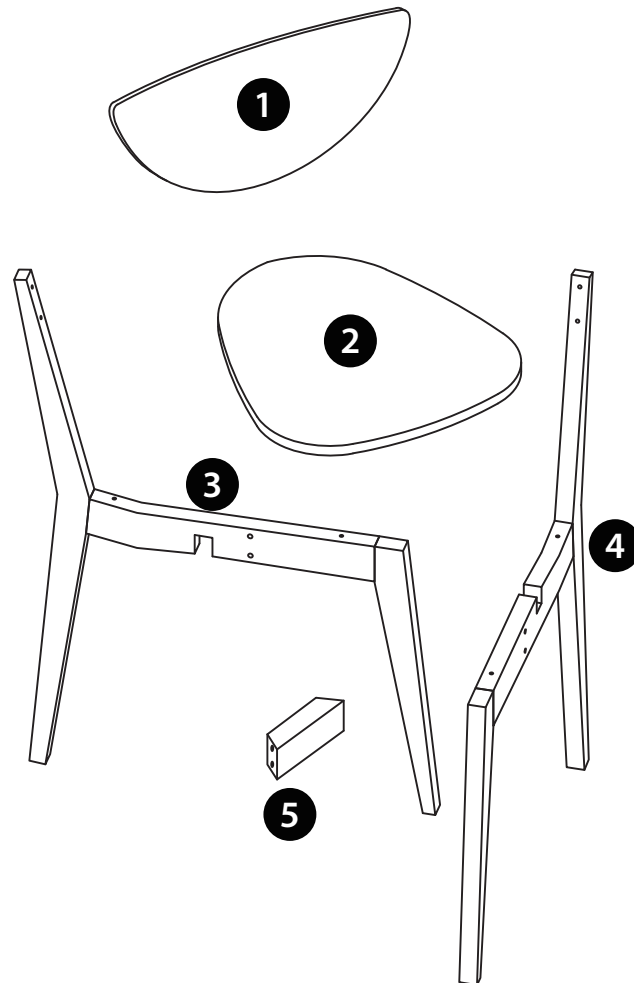
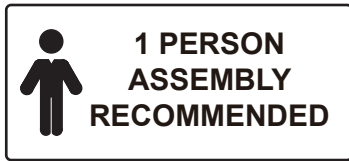
- Only clean using a damp cloth and mild detergent, do not use bleach or abrasive cleaners.
- From time to time check that there are no loose screws on this unit.

- This product should not be discarded with household waste. Take to your local authority waste disposal center.

Note: If required the next page can be cut out and used as reference throughout the assembly. Keep this page with these instructions for future reference

COMPONENTS — PARTS

Please check you have all the parts listed below:



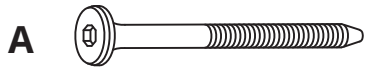
PARTS LIST

1	Back	x1
2	Seat	x1
3	Left Side Frame	x1
4	Right Side Frame	x1
5	Front Support Bar	x1



COMPONENTS — FITTINGS

Please check you have all the fittings listed below:



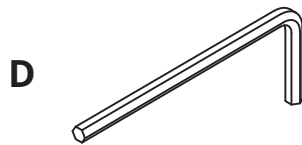
Bolt (M6x65mm) x 4



Bolt (M7x40mm) x4



Bolt (M6x25mm) x 4

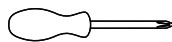


Allen Key (M4) x 1

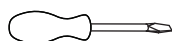


Foot pad x 4

TOOLS NEEDED
(We don't provide)



Phillips Screwdriver x 1

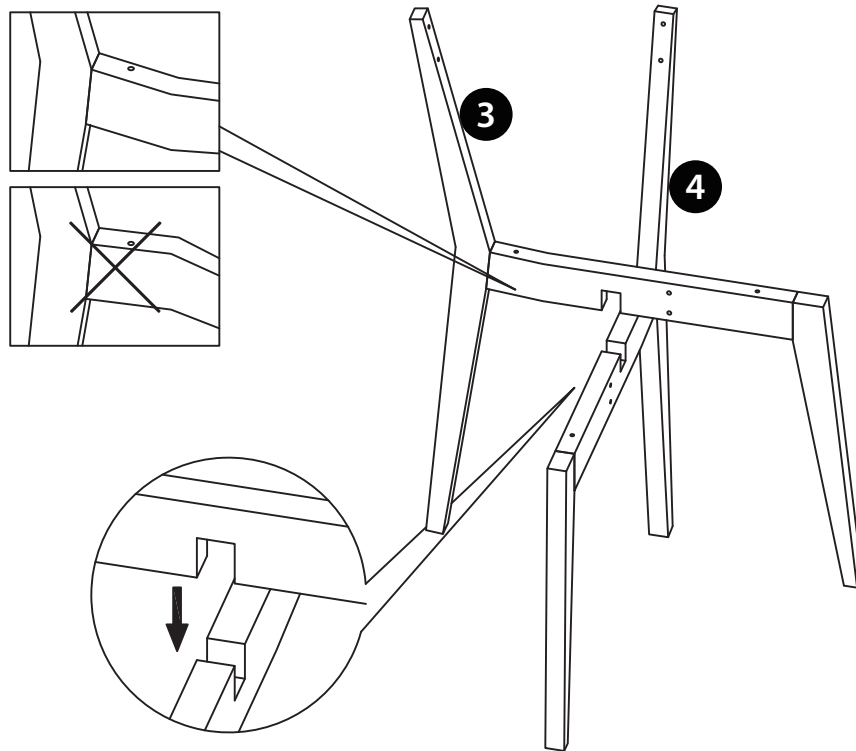


Flat head Screwdriver x 1

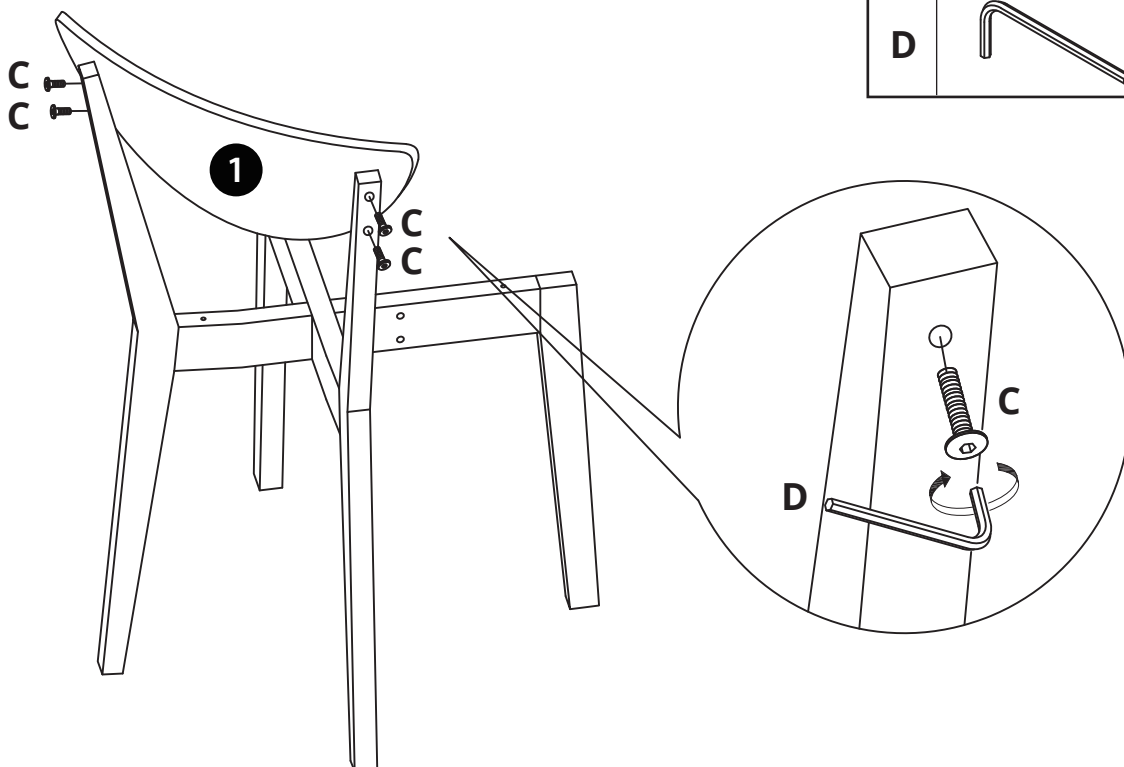




ASSEMBLY INSTRUCTIONS

Step 1



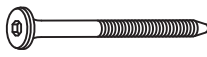

Step 2

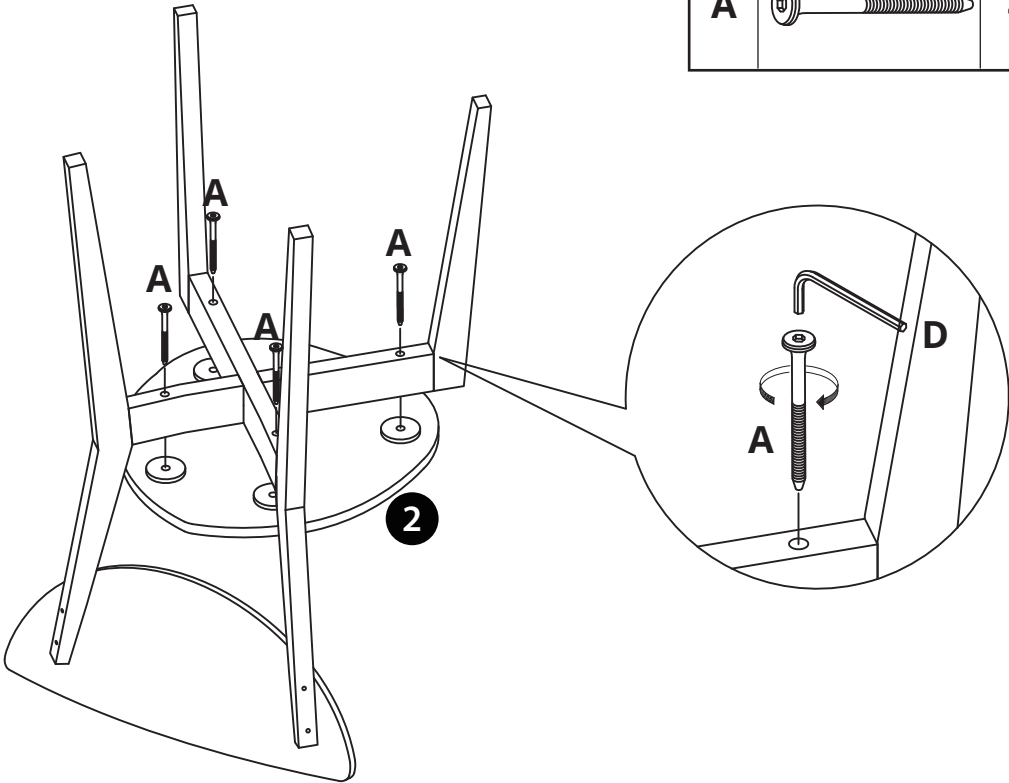


C		4
D		1




ASSEMBLY INSTRUCTIONS

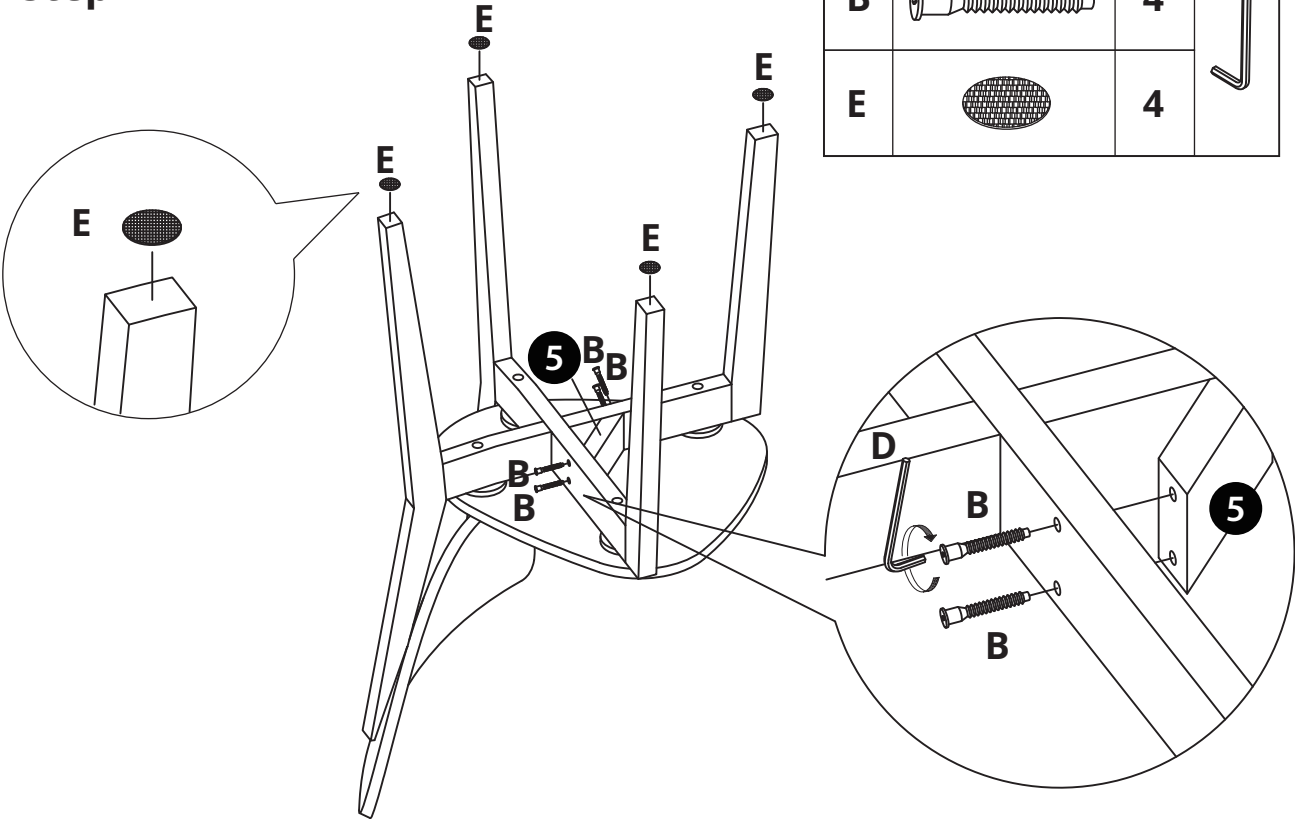
Step 3

A		4	
---	---	---	---



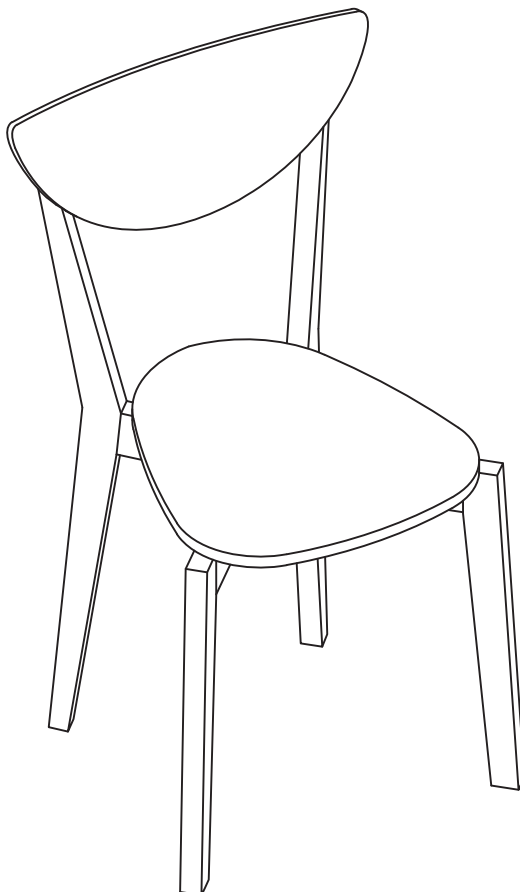
Step 4

B		4	
E		4	



ASSEMBLY INSTRUCTIONS

Step 5



Congratulations! Now you have finished assembling the product.

IF YOU FIND A DEFECTIVE PART

We fully stock all parts and components. Any defective part can be quickly replaced. Take note of the defective part number in manual and we will arrange a quick replacement.

COPYRIGHT

All material in this instruction manual is copyrighted
Any unauthorised use may violate worldwide copyright, trademark and other laws.