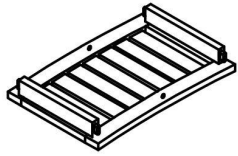
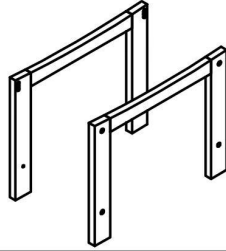


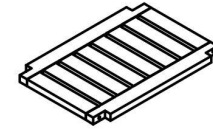
ASSEMBLY INSTRUCTION



A = 1



B = 2



C = 1

① = 08 pcs



7 x 60

② = 02 pcs

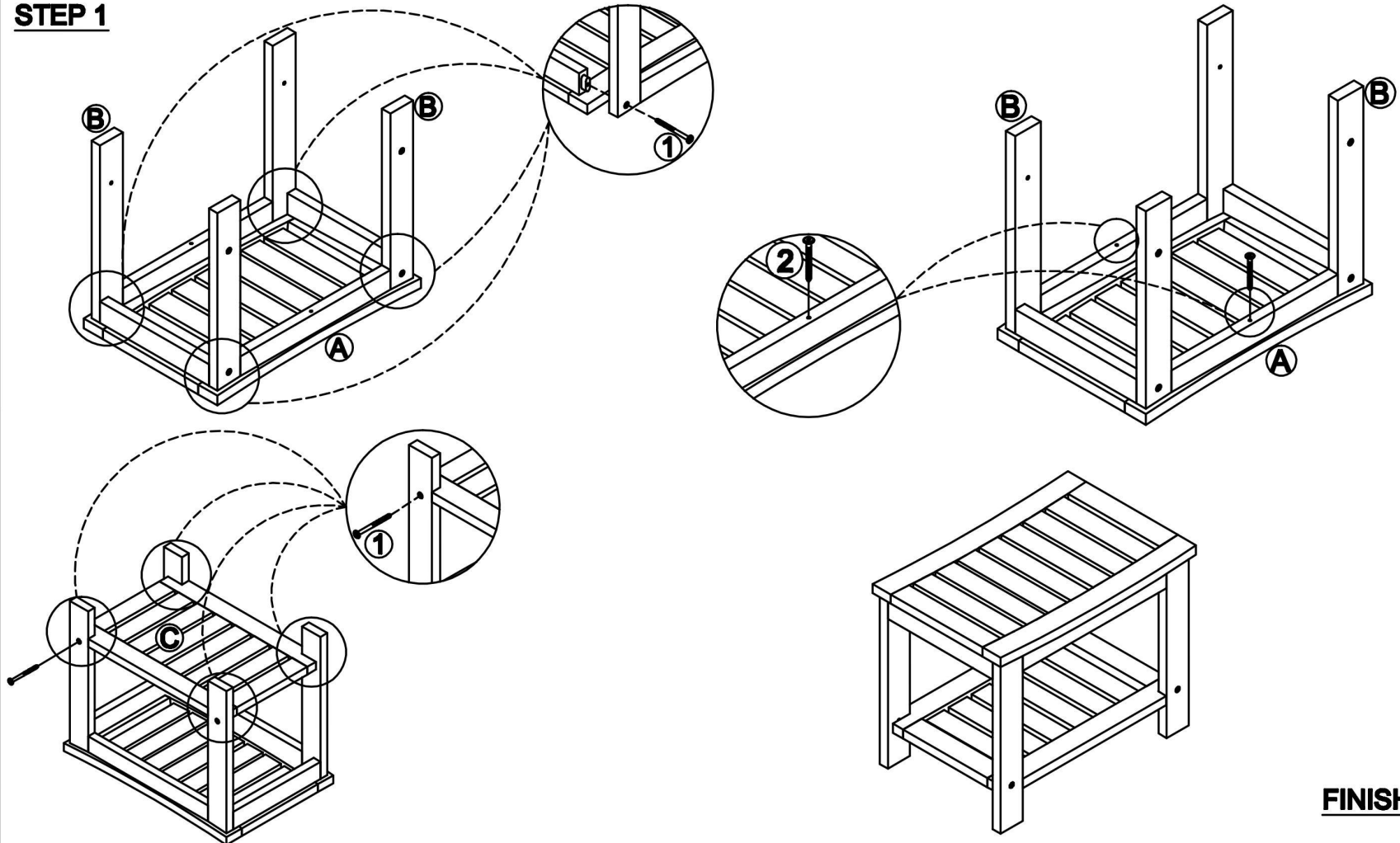


6 x 50



Allen key

STEP 1



FINISH