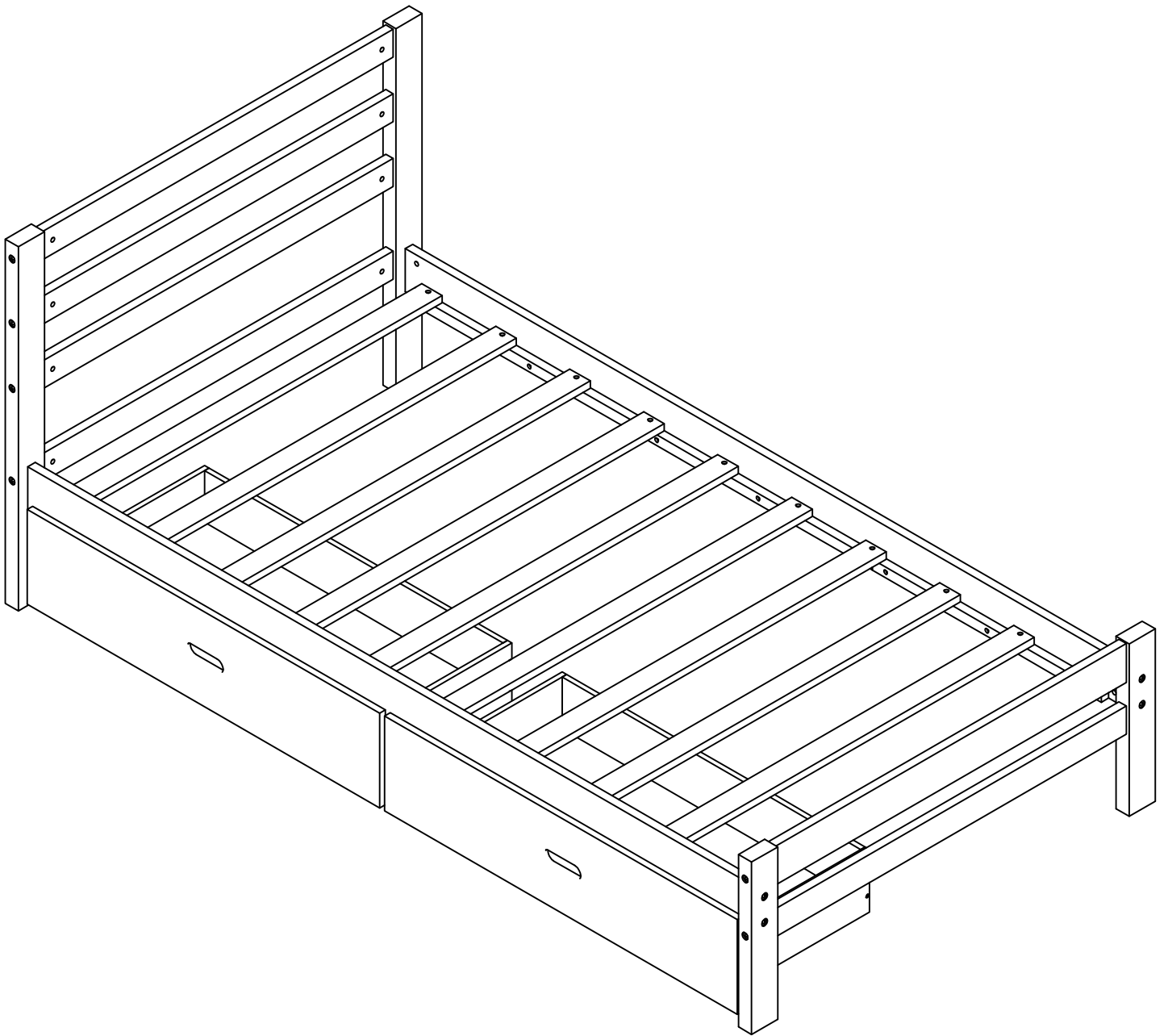
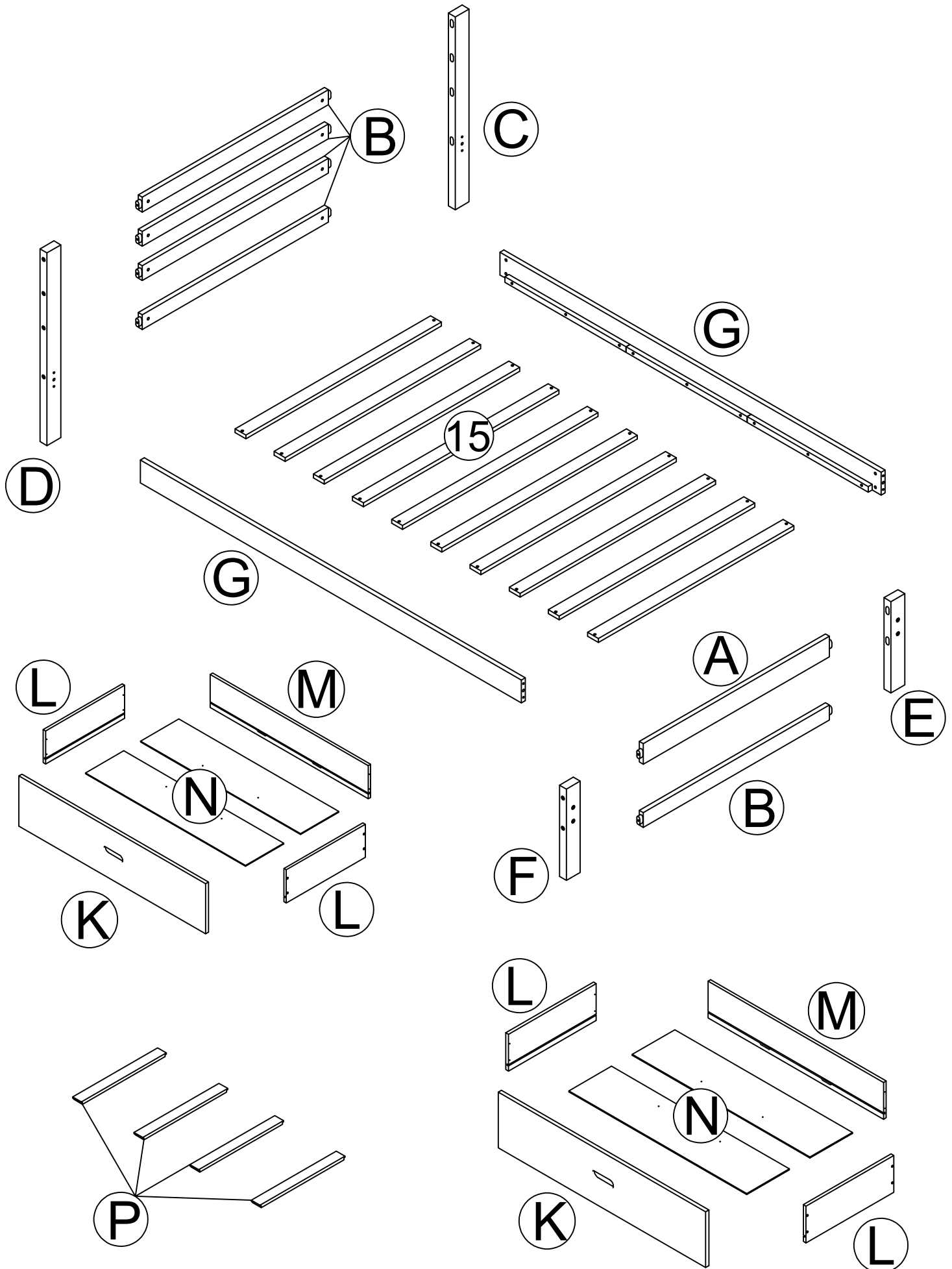


# ASSEMBLY INSTRUCTIONS

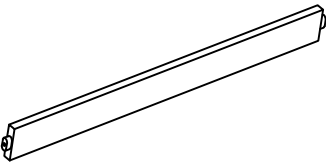
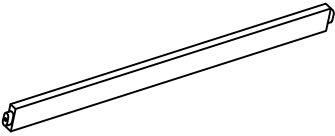
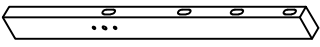
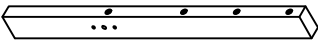
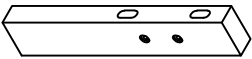
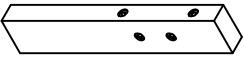
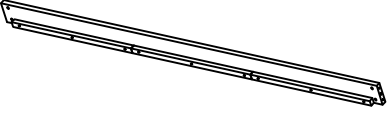
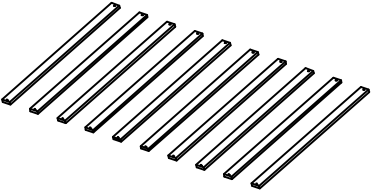
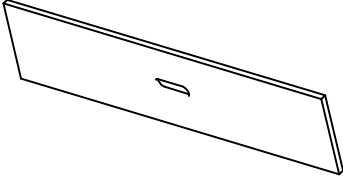
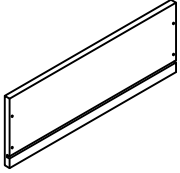
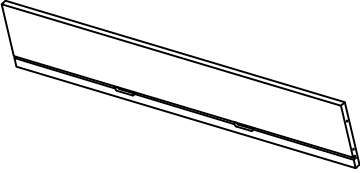
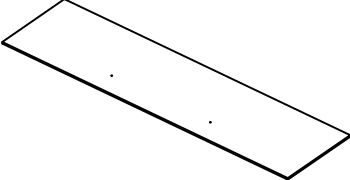
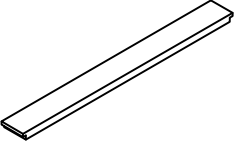
## TWIN BED



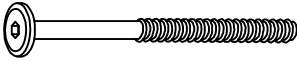

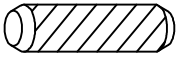
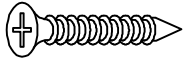
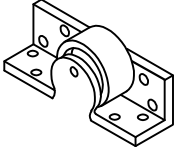



# Detail View



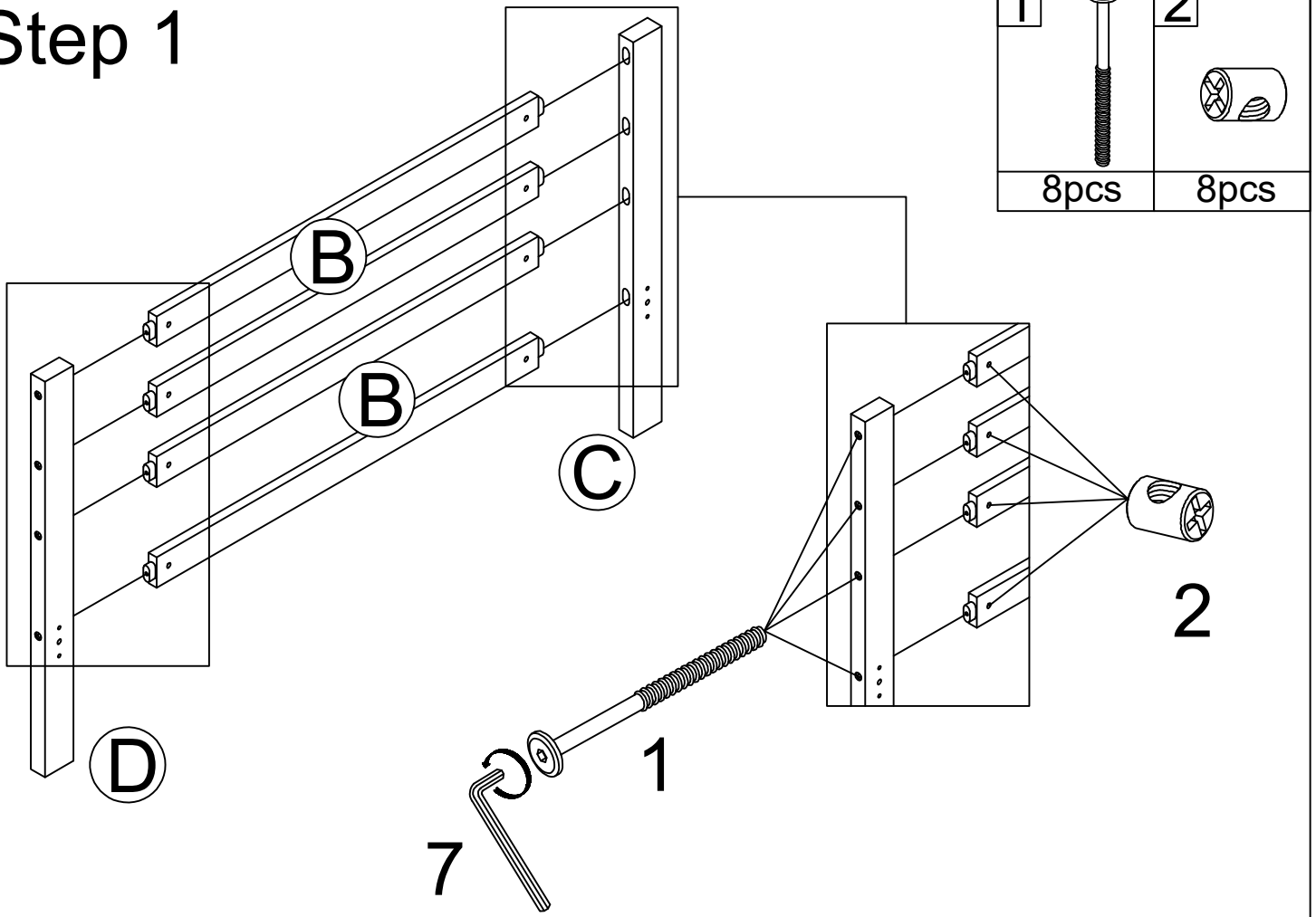
# Part list

<b>A</b> 	<b>B</b> 	<b>C</b> 
Footboard top rail - 1pc	Horizontal rail - 5pcs	Headboard leg (left side) - 1pc
<b>D</b> 	<b>E</b> 	<b>F</b> 
Headboard leg (right side) - 1pc	Footboard leg (left side) - 1pc	Footboard leg (right side) - 1pc
<b>G</b> 	<b>15</b> 	<b>K</b> 
Side rail - 2pcs	Slat - 10pcs	Drawer front - 2pcs
<b>L</b> 	<b>M</b> 	<b>N</b> 
Drawer side panel - 4pcs	Drawer back panel - 2pcs	Drawer bottom panel - 4pcs
<b>P</b> 		
Drawer bottom support - 4pcs		

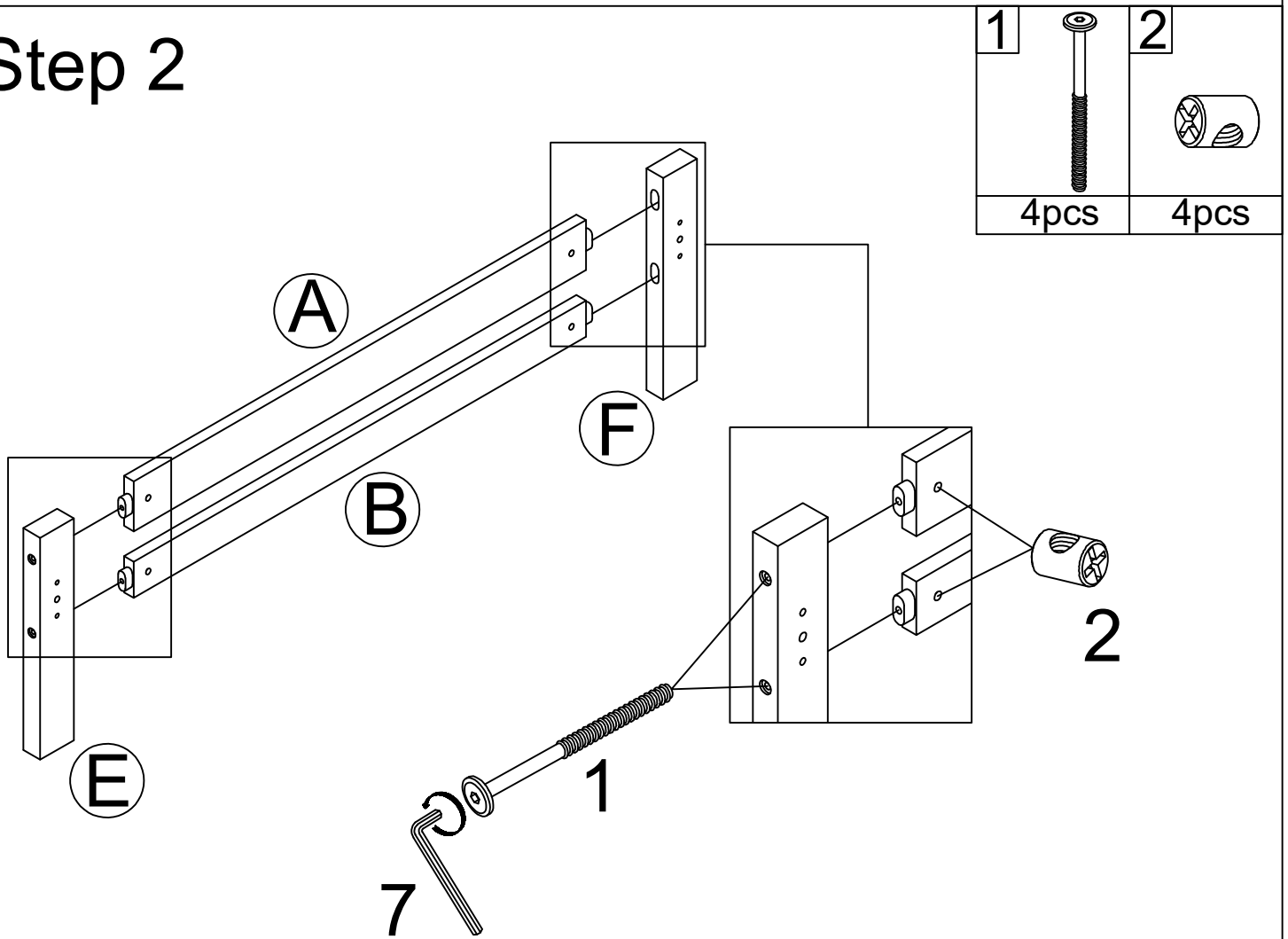
# Hardware list

<p><b>1</b></p>  <p>Ø1/4"*110mm</p>	<p><b>2</b></p>  <p>Ø1/4"*9.5*12mm</p>	<p><b>3</b></p>  <p>Ø10*30mm</p>
<p>Hex-Head bolt - (12pcs)</p>	<p>Horizontal-Hole bolt - (20pcs)</p>	<p>Wood dowel - (4pcs)</p>
<p><b>4</b></p>  <p>#4*30mm</p>	<p><b>5</b></p>  <p>Ø35mm</p>	<p><b>6</b></p>  <p>#3.5*12mm</p>
<p>Screw (36pcs)</p>	<p>Small Wheel (8pcs)</p>	<p>Screw (24pcs)</p>
<p><b>7</b></p>  <p>K4mm</p>	<p><b>8</b></p>  <p>Ø1/4"*85mm</p>	
<p>Allen key (1pc)</p>	<p>Hex-Head bolt - (8pcs)</p>	

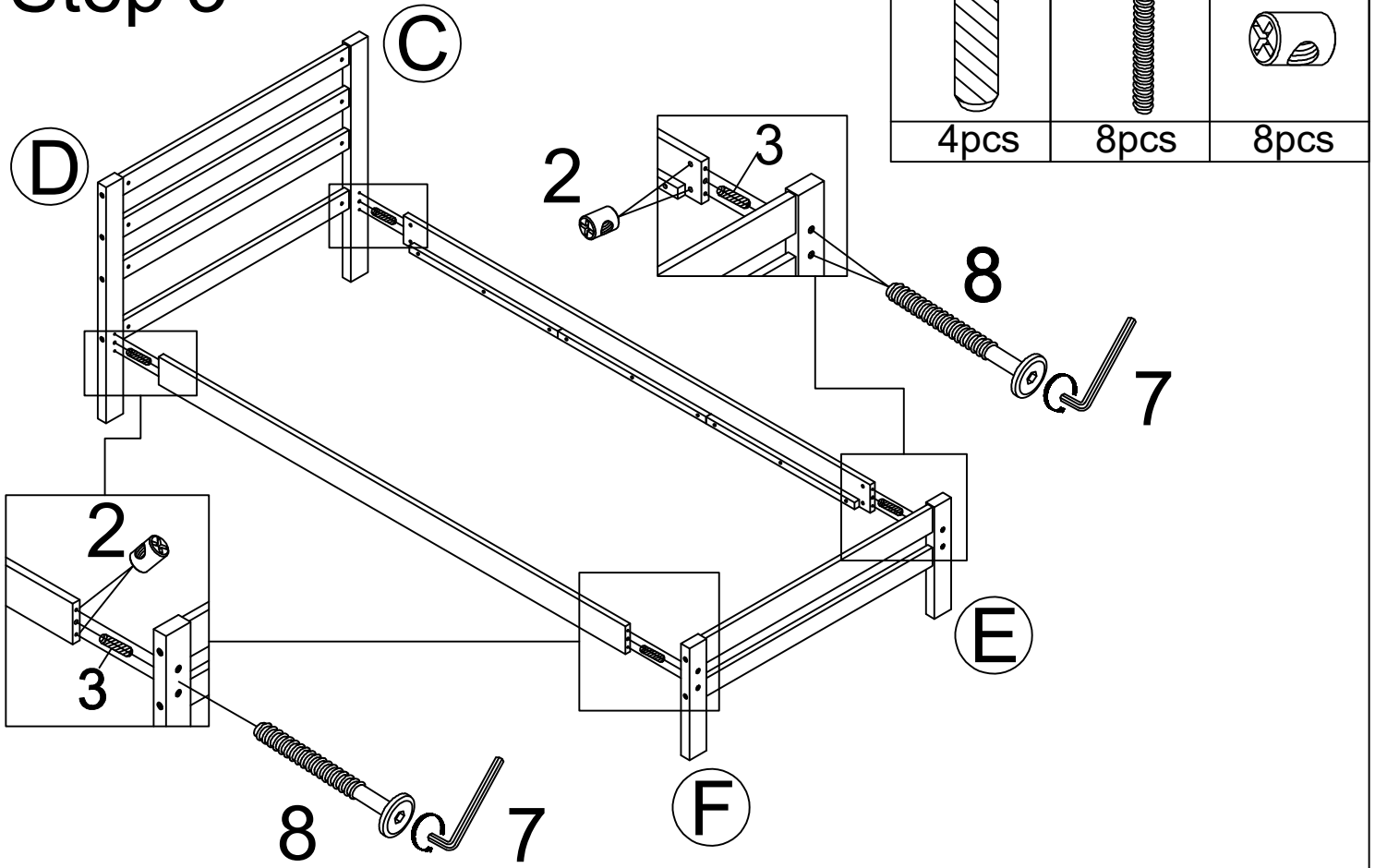
# Step 1



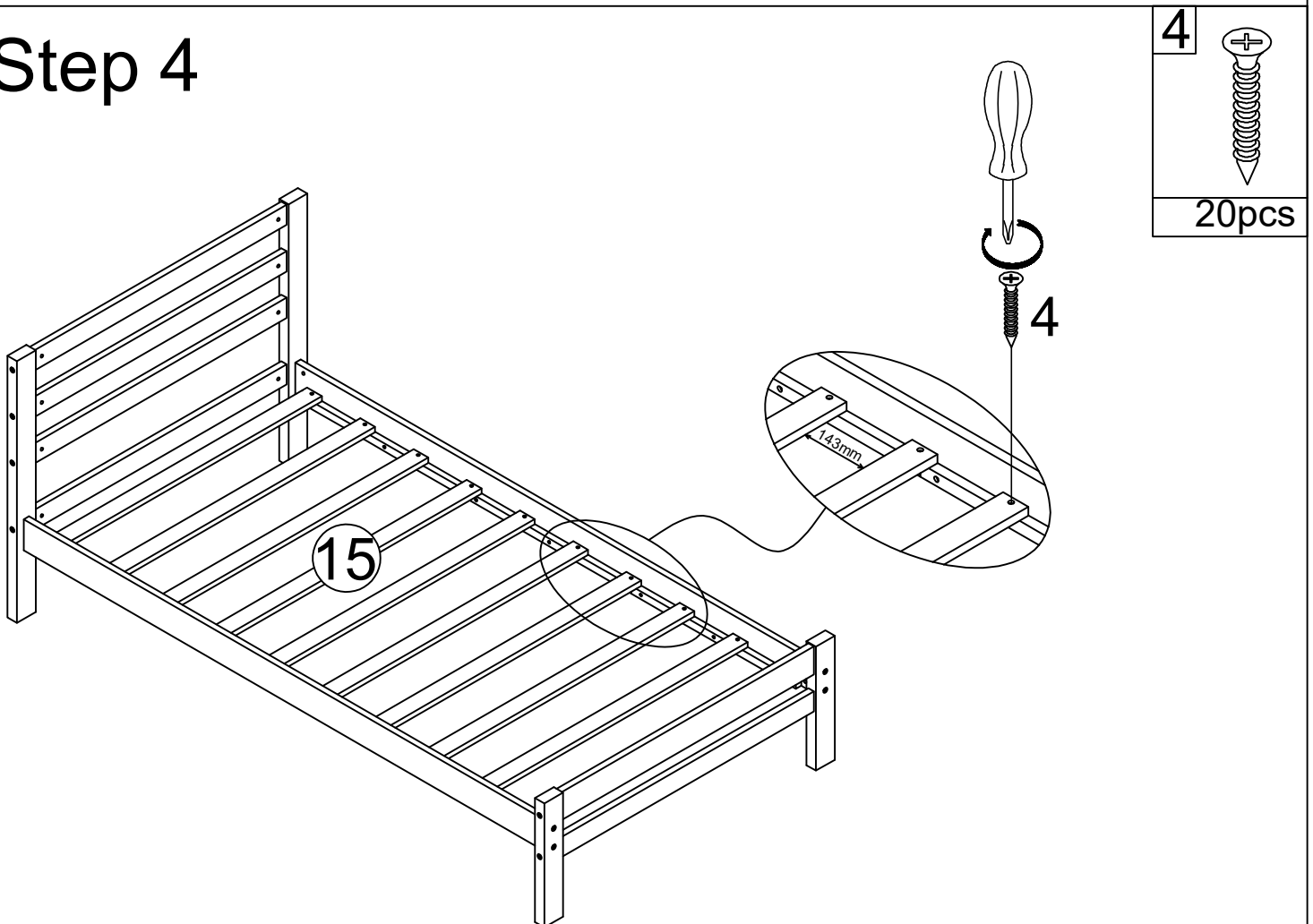
# Step 2



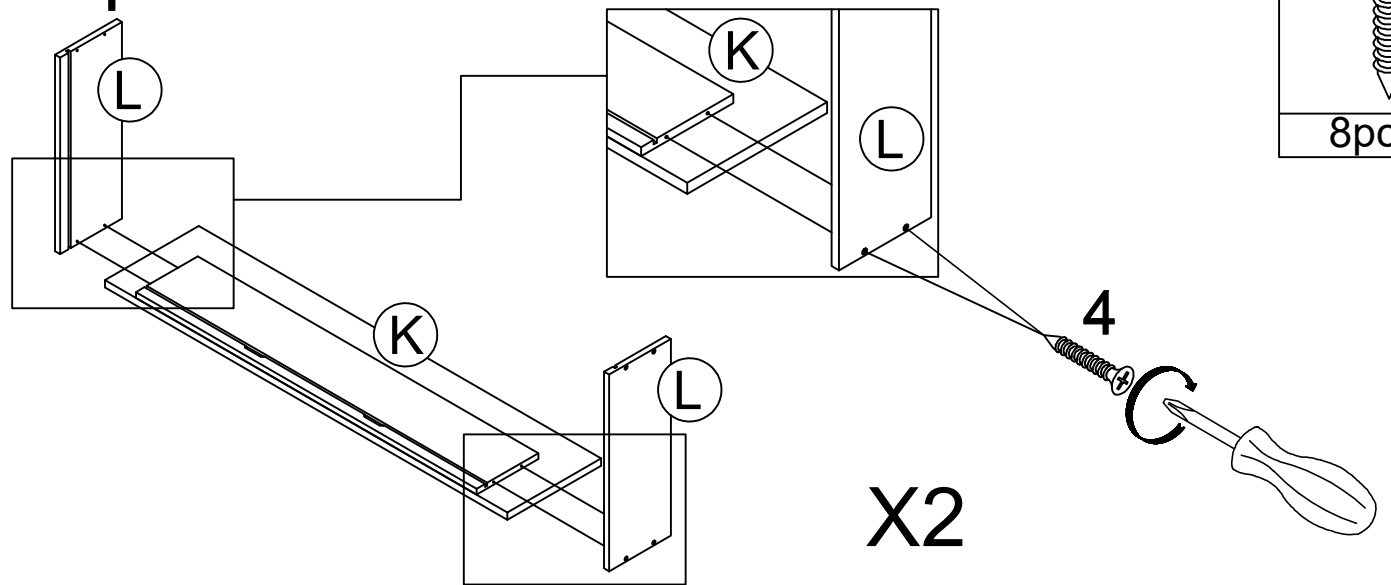
# Step 3



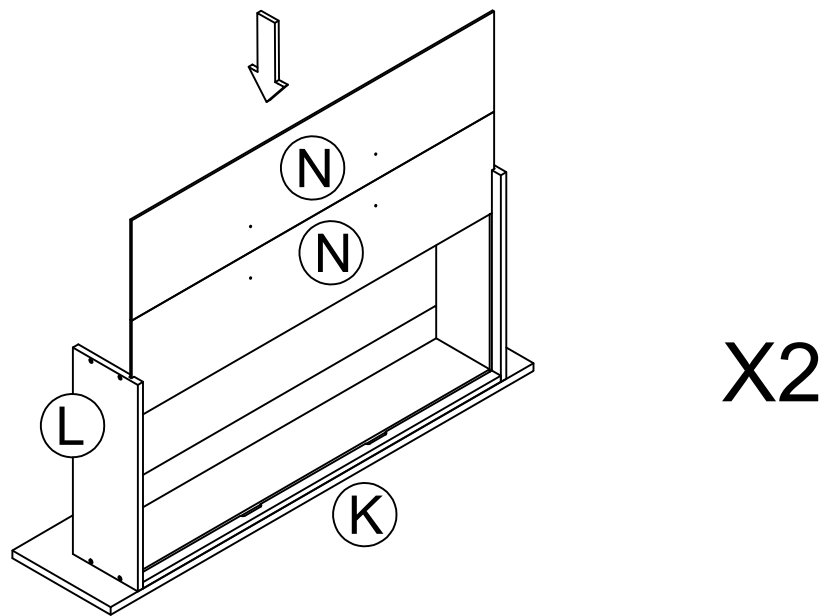
# Step 4



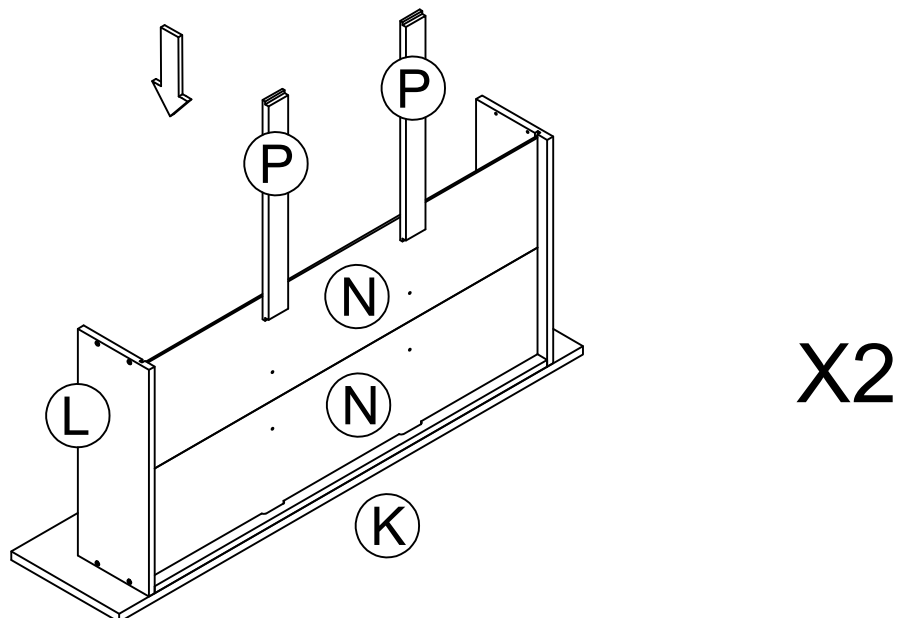
# Step 5



# Step 6

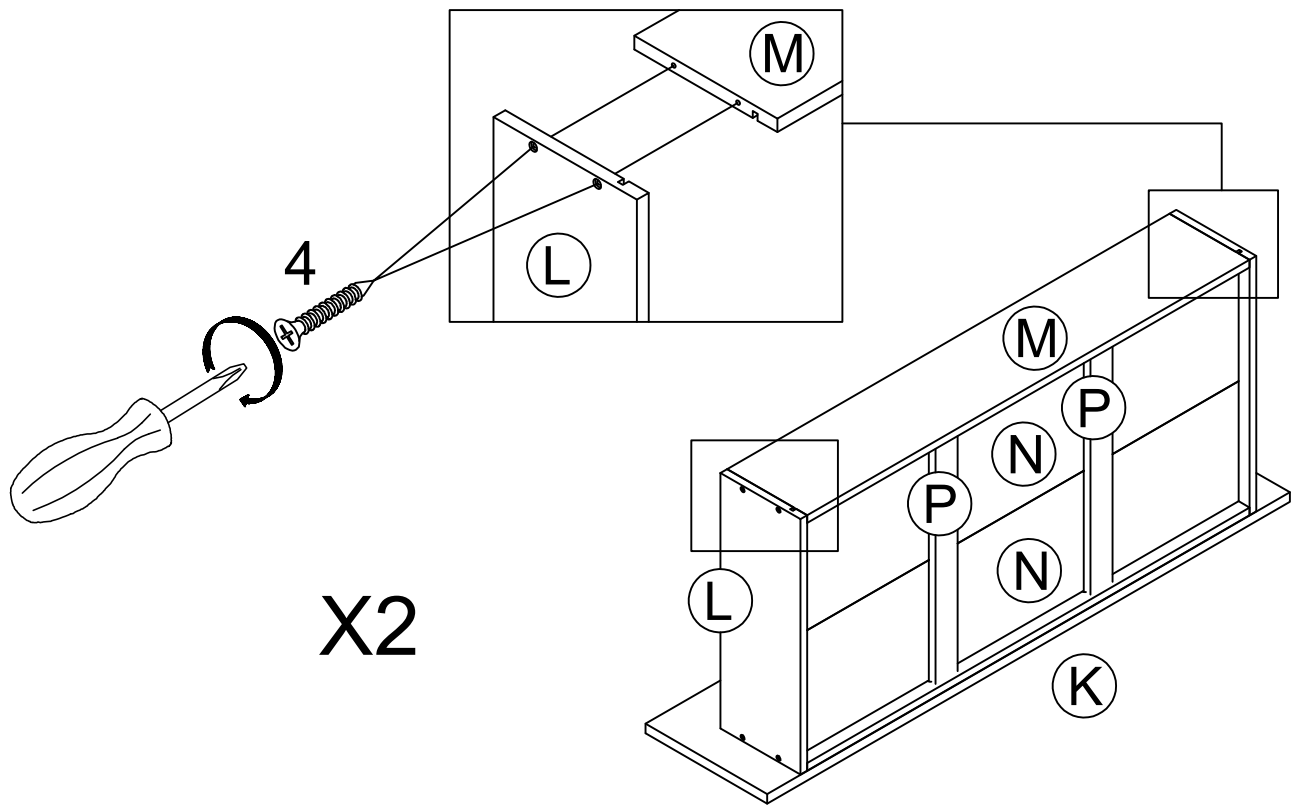


# Step 7



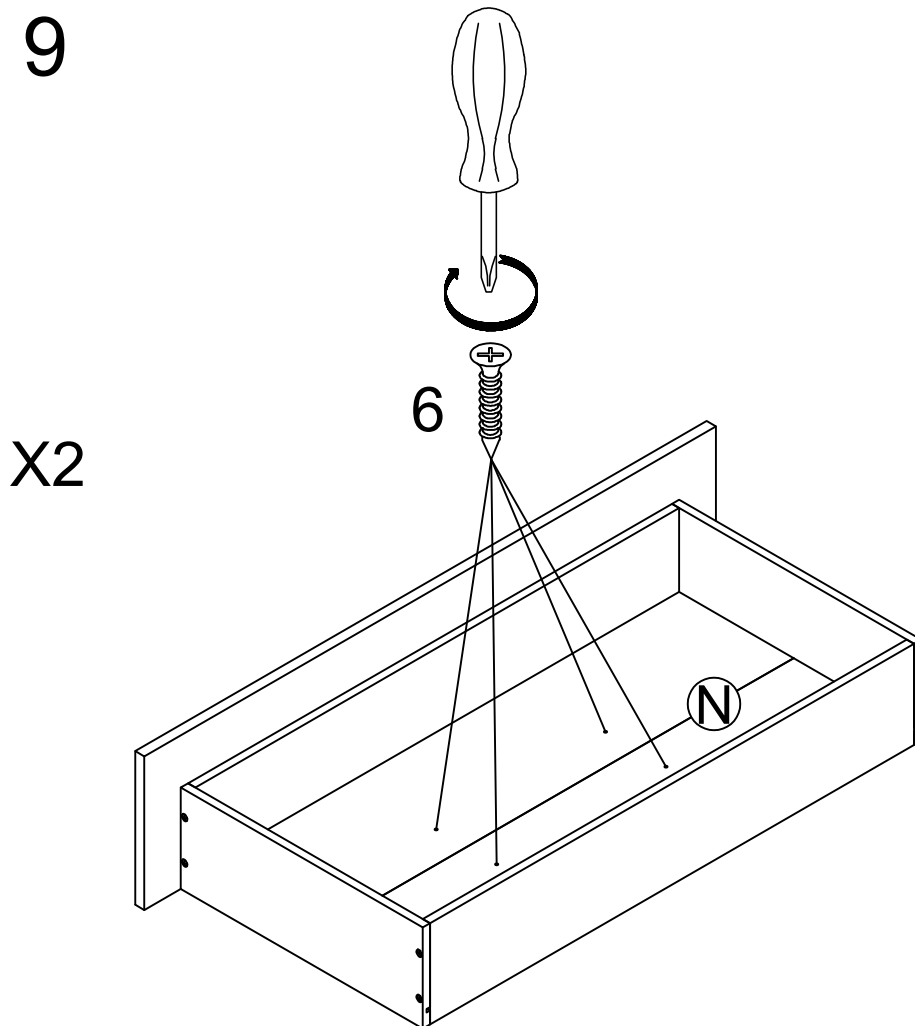
# Step 8

4  
8pcs

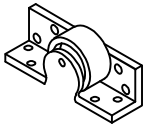
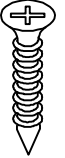


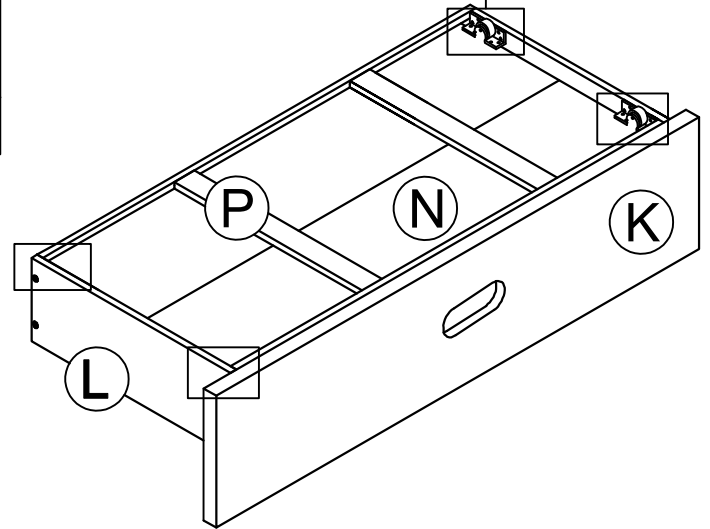
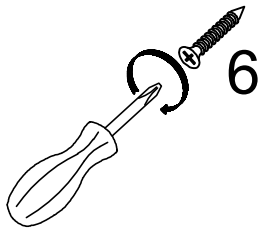
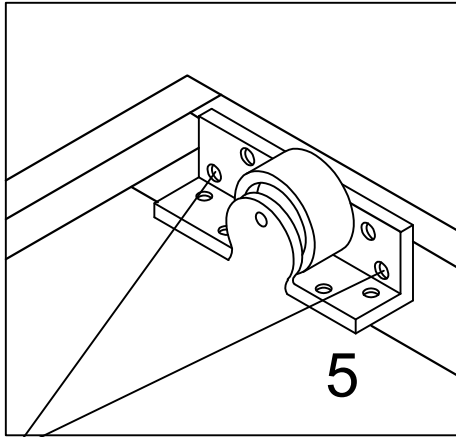
# Step 9

6  
8pcs

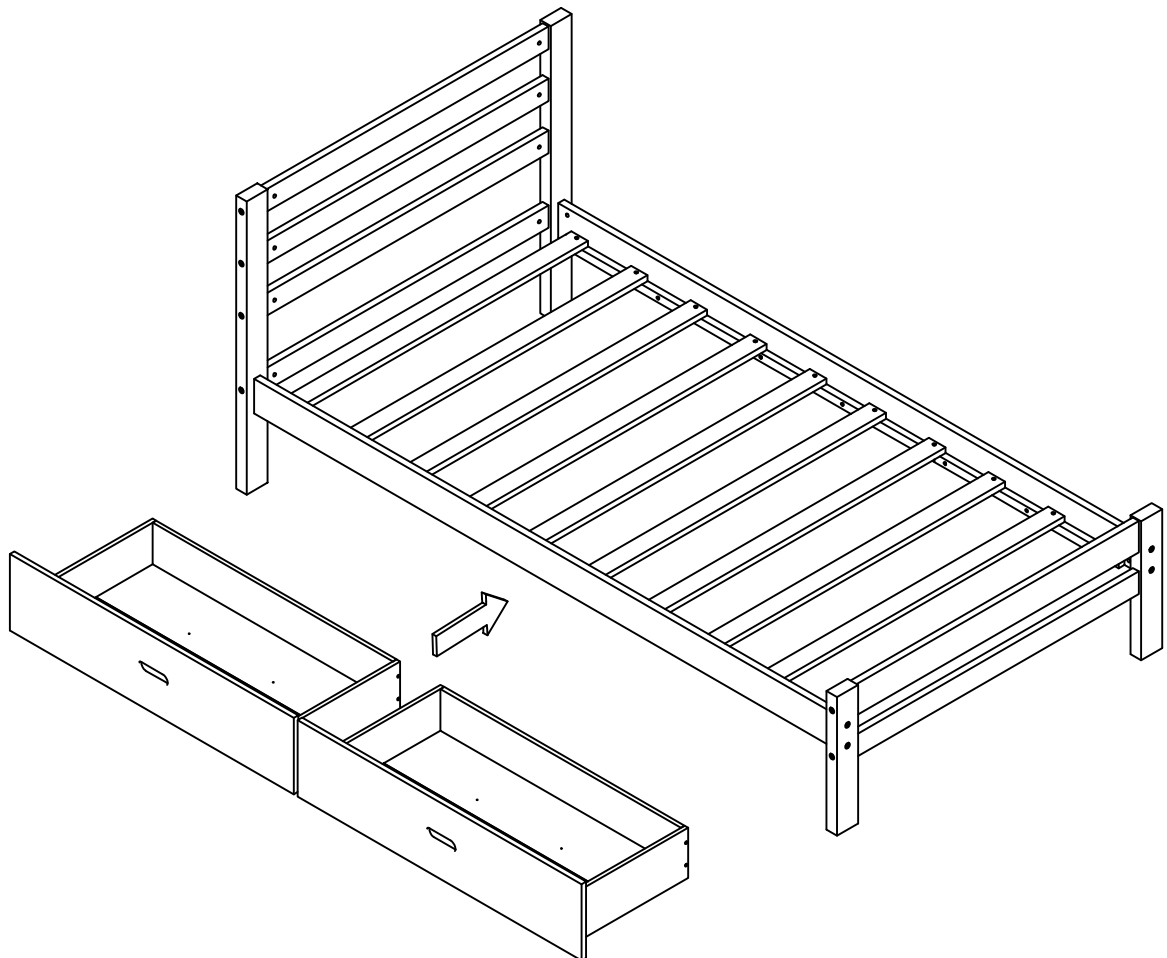


# Step 10

5	6
	
8pcs	16pcs



X2



# COMPLETED

