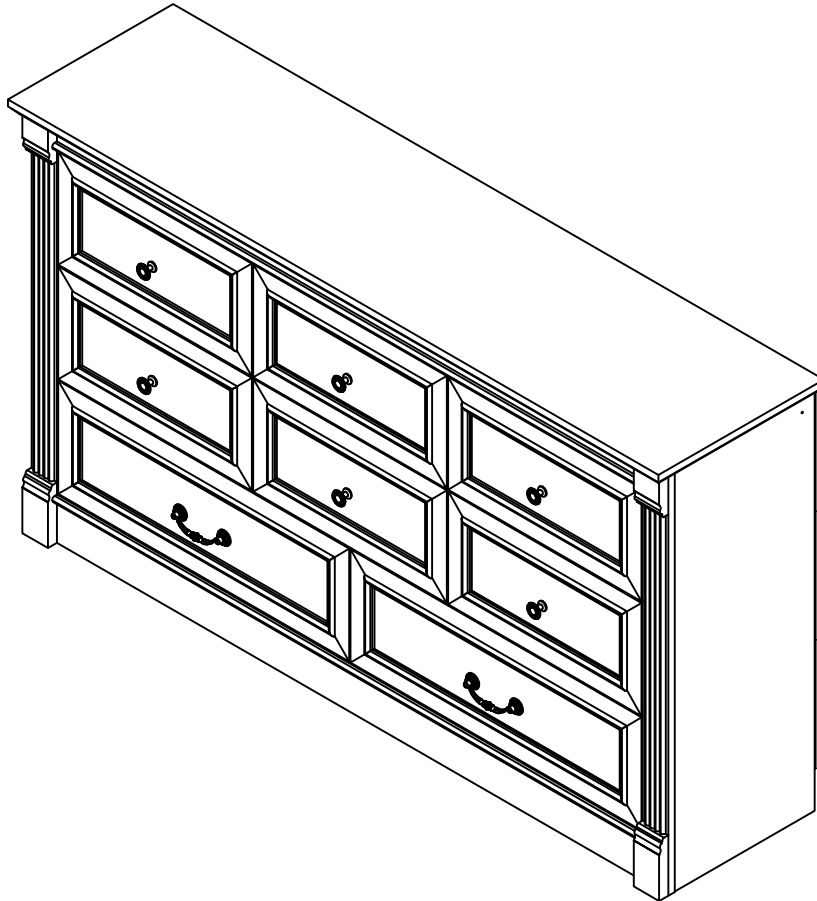


ASSEMBLY INSTRUCTIONS

ITEM:LD24008-N



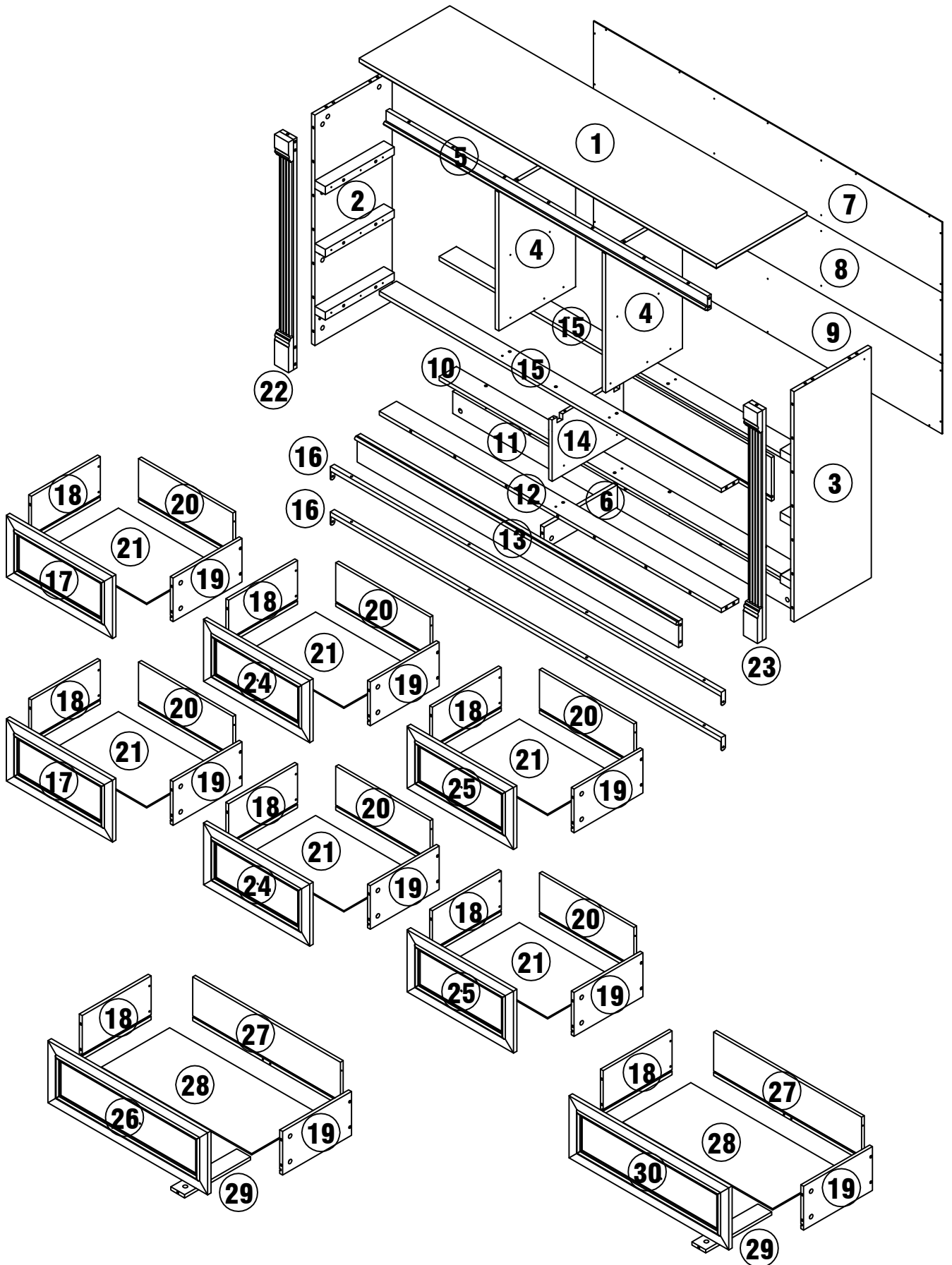
LD24008-N

Please scan this QR code and contact us if you have any questions! If your products has damages, missing parts, problems with installation and use, or you are not 100% satisfied with our products, please scan the QR code and contact us!

Email:vimity-service@outlook.com

SUPPORT : +18882062161

PACKAGE INCLUDE



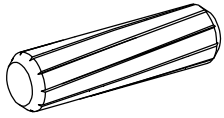
SUPPORT: +18882062161

PACKAGE INCLUDE

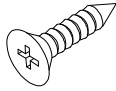
CODE	DESCRIPTION	QTY
1	Top Panel	1
2	Left Side Panel	1
3	Right Side Panel	1
4	Upper Middle Vertical Panel	2
5	Upper Crosspiece	1
6	Bottom Supported Panel	1
7	Upper Back Panel	1
8	Middle Back Panel	1
9	Lower Back Panel	1
10	Rear Bottom Panel	1
11	Back Footboard	1
12	Front Bottom Panel	1
13	Front Footboard	1
14	Lower Middle Vertical Panel	1
15	Front Middle Panel	2
16	Iron Tube	2
17	Upper Left Drawer Top Panel	2
18	Drawer Left Side Panel	8
19	Drawer Right Side Panel	8
20	Upper Drawer Back Panel	6
21	Upper Drawer Bottom Panel	6
22	Left Trim Panel	1
23	Right Trim Panel	1
24	Upper Middle Drawer Top Panel	2
25	Upper Right Drawer Top Panel	2
26	Lower Left Drawer Top Panel	1
27	Lower Drawer Back Panel	2
28	Lower Drawer Bottom Panel	2
29	Drawer Bottom Strip	2
30	Lower Right Drawer Top Panel	1

PACKAGE CONTENT

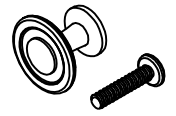
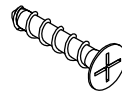
Ø8X30MM



Ø3.5X12MM



Ø4X35MM



A

53X+3

B

84X+3

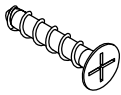
C

48X+2

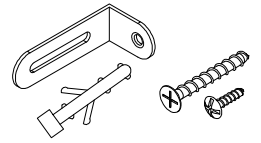
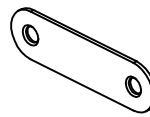
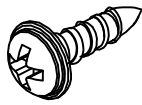
D

6X

Ø4X30MM



Ø3X12MM



E

8X

F

39X+2

G

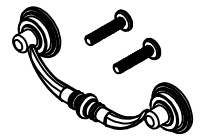
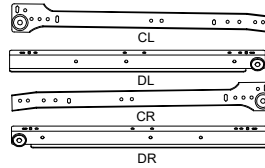
4X

H

2X



Ø15X10MM



J

70X+3

K

70X+3

L

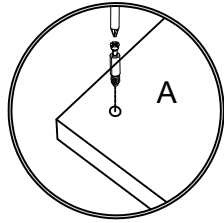
8X

M

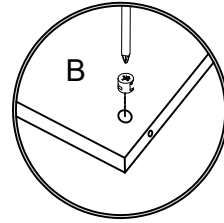
2X

SUPPORT: +18882062161

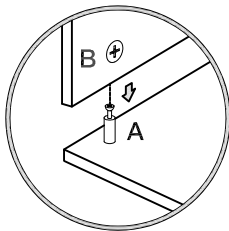
How to use the cam lock system



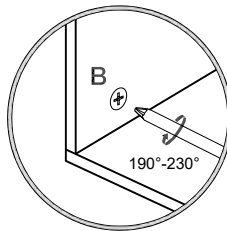
1. Screw cam bolt into panel



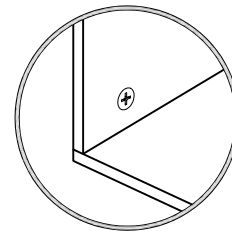
2. Push cam into panel - arrow feature on cam top points to panel edge



3. Align cam bolt(s) with cam(s) and insert all the way into cross-bored hole(s)

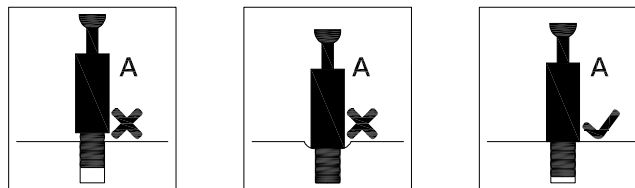
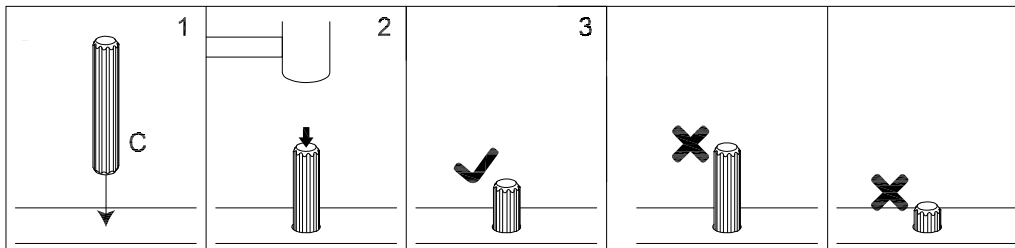


4. Rotate cam(s) clockwise 190°-230° to lock panels together



5. Panels should be tight against each other and connection should be rigid

Insert the wood dowel [C] at least half way by tapping lightly with a rubber mallet, IF NECESSARY.

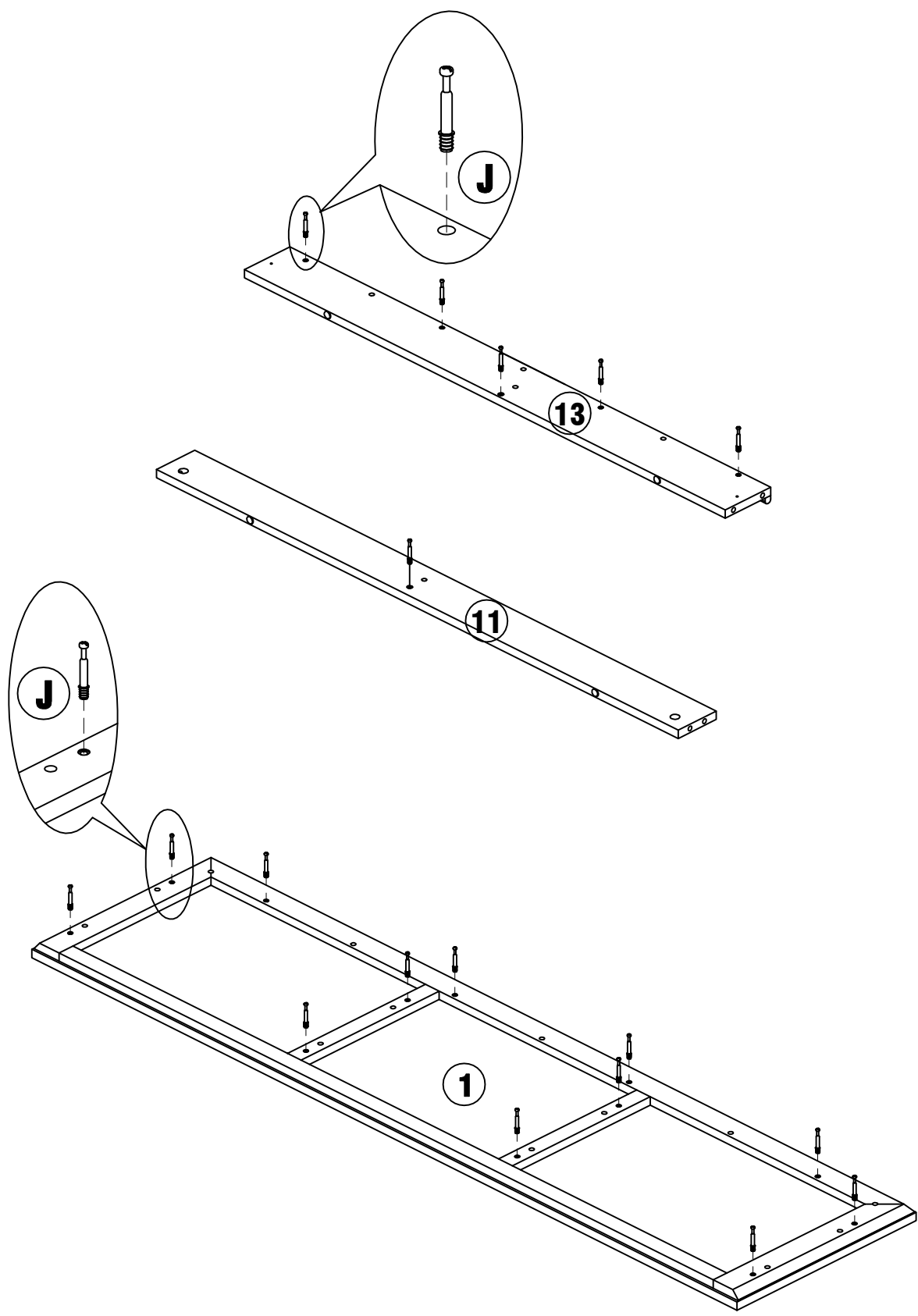
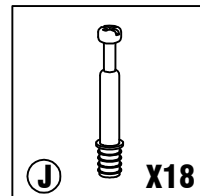


⚠ WARNING

- Unit must be placed on a level surface or leveled with included hardware (when applicable).
- Do not sit or stand on or allow children to climb, sit or stand on the assembled product.
- For safety reasons, it is imperative that this unit be mounted to the wall.
- Do not use without installing the tip restraint.
- Unit can tip over causing severe injury or death.
- Do not exceed the recommended weight limits.
- Evenly distribute the weight on each level and always keep the heavier loads on the bottom.
- Before cutting, drilling or hammering into any wall or floor surface, verify the location of electrical, plumbing and gas lines. Cutting may cause serious injury.

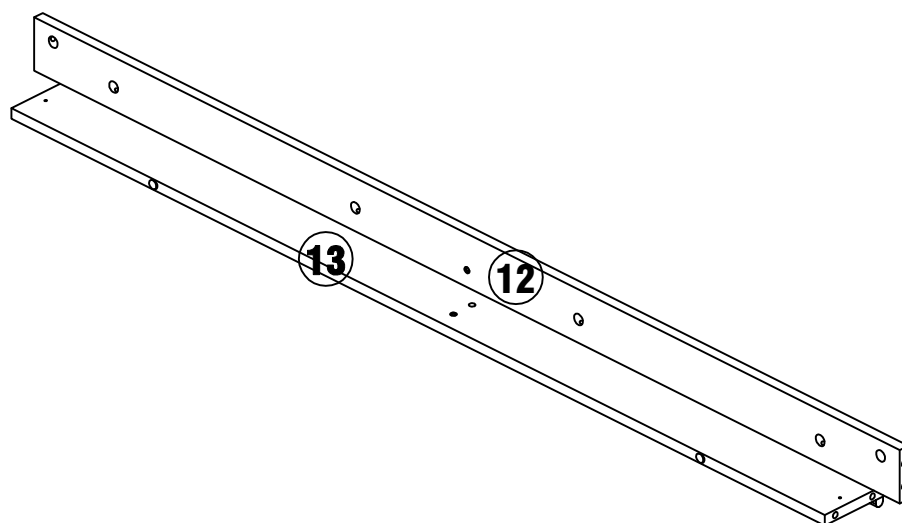
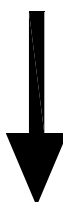
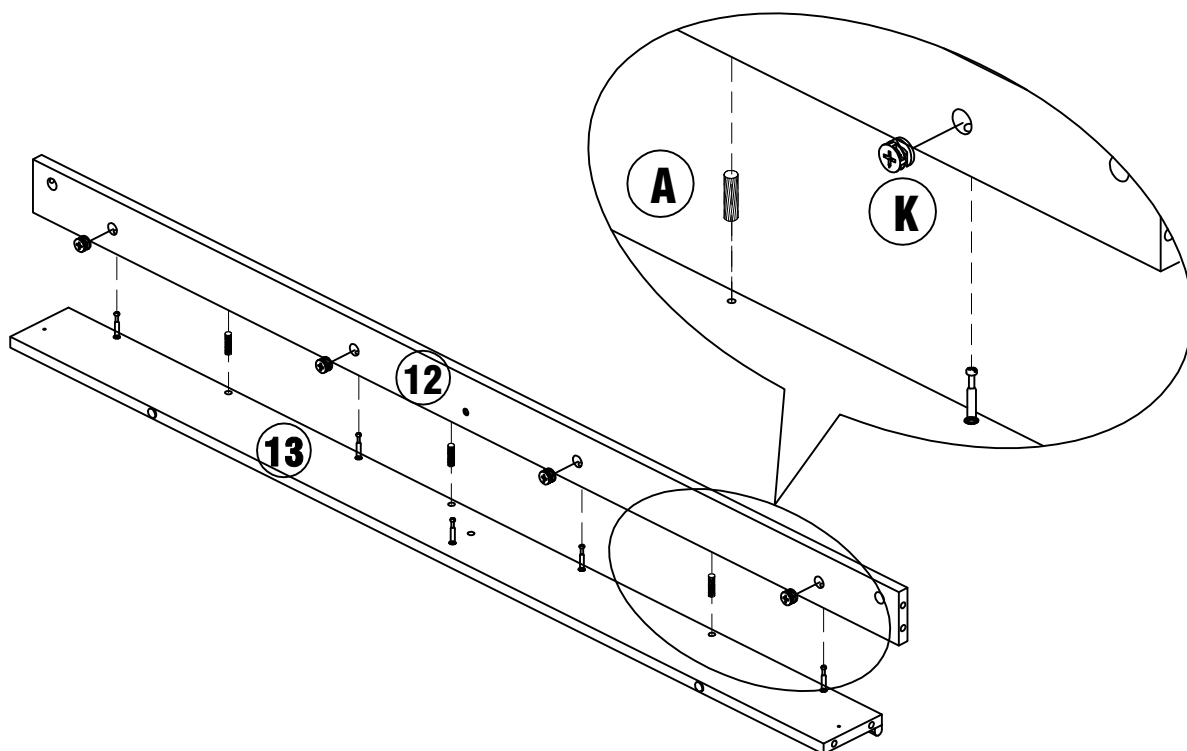
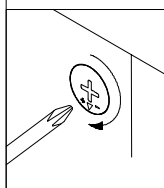
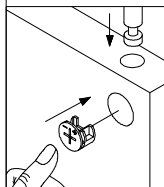
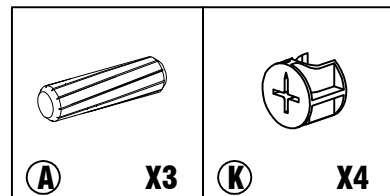
SUPPORT : +18882062161

STEP 1



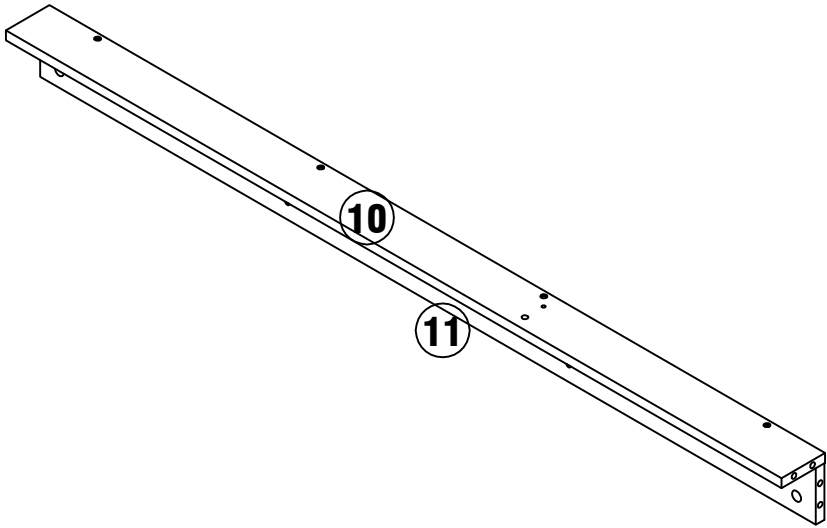
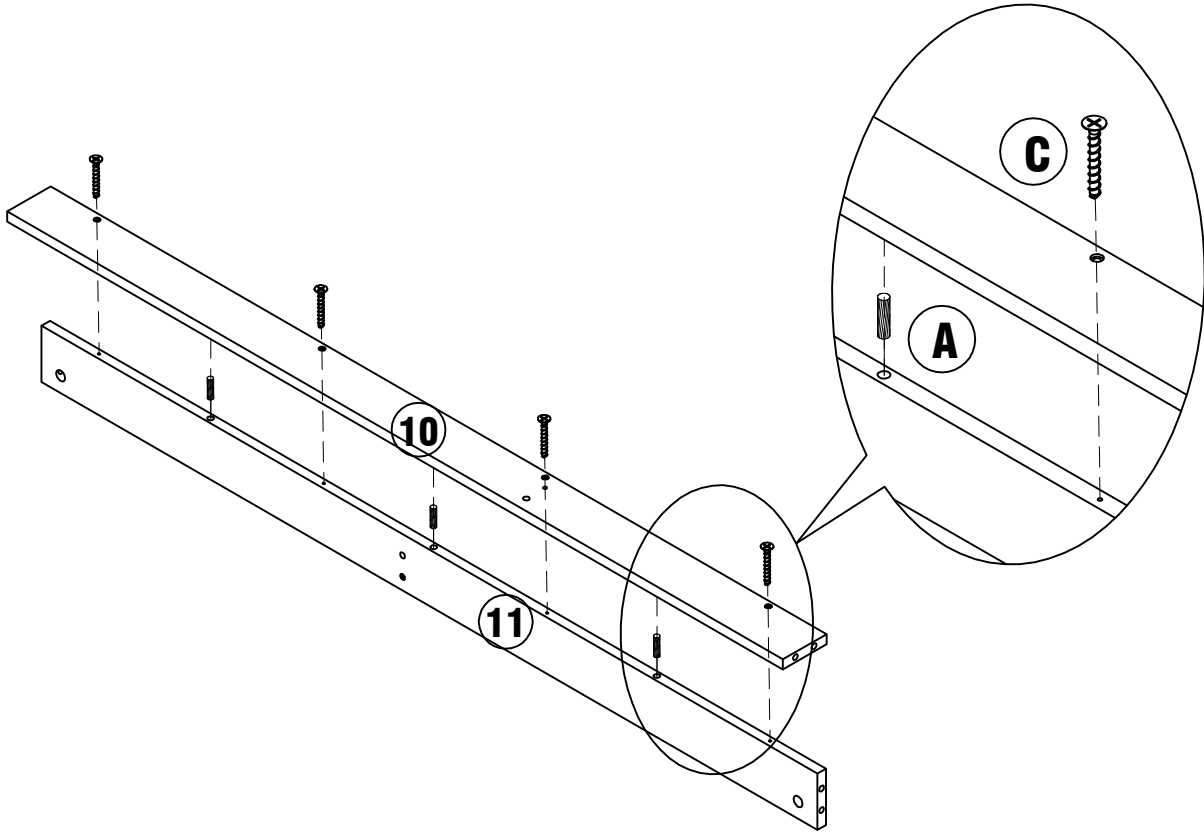
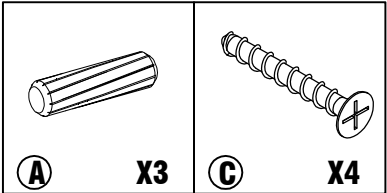
SUPPORT: +18882062161

STEP 2



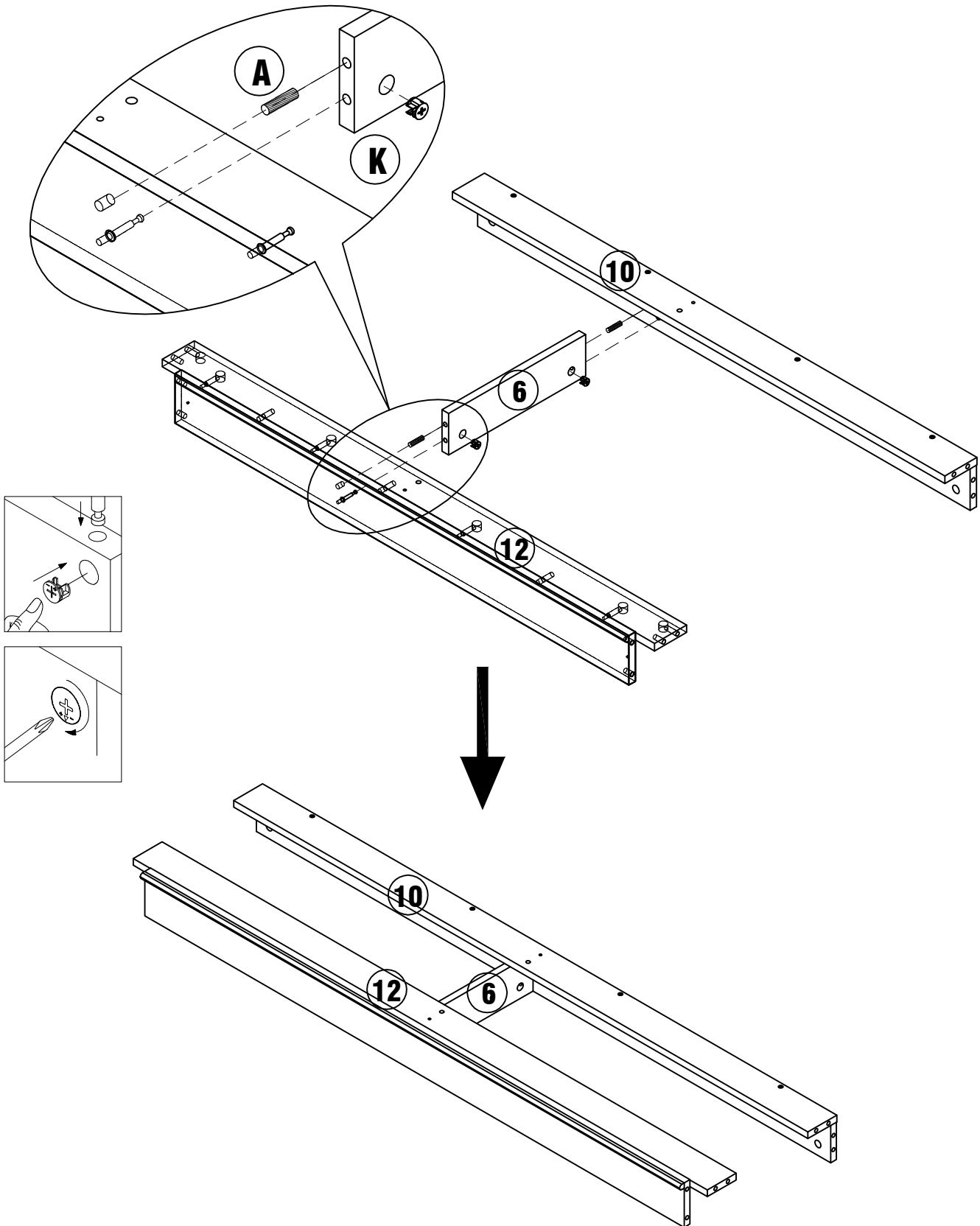
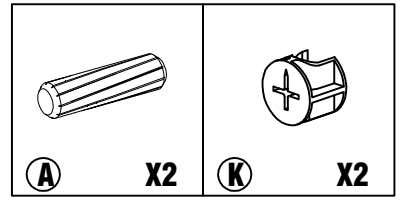
SUPPORT: +18882062161

STEP 3



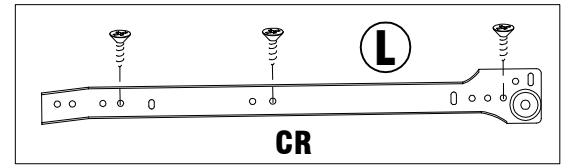
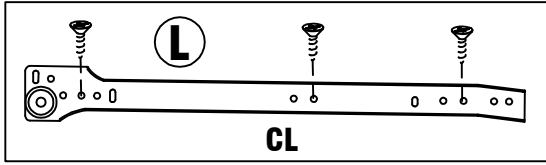
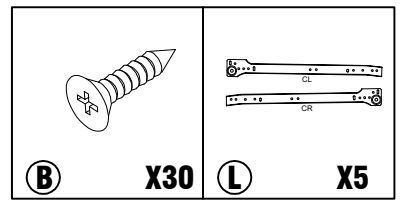
SUPPORT: +18882062161

STEP 4

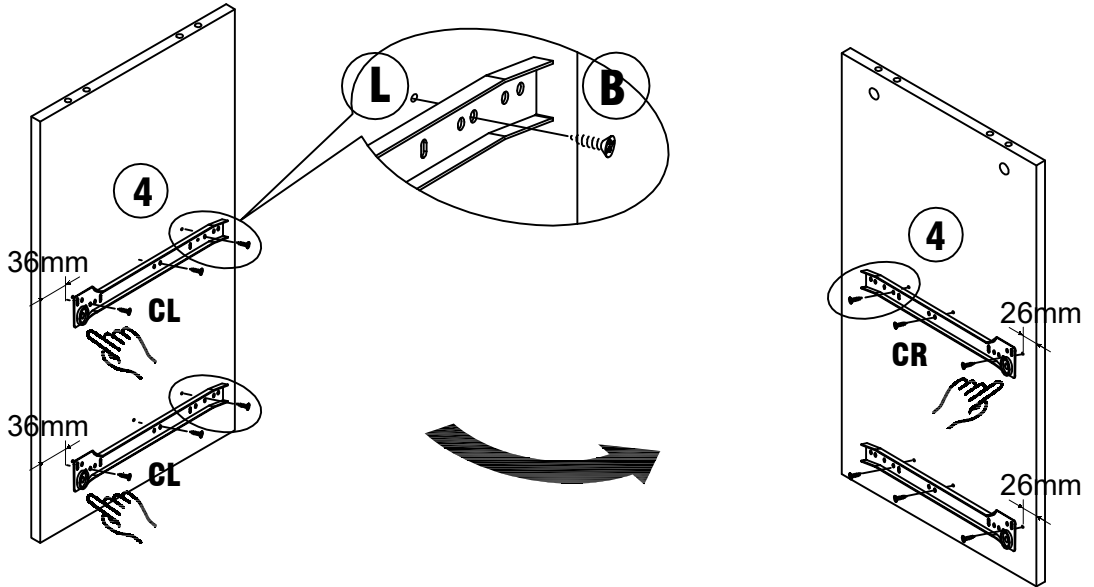


SUPPORT: +18882062161

STEP 5



X2

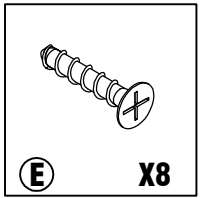


X1

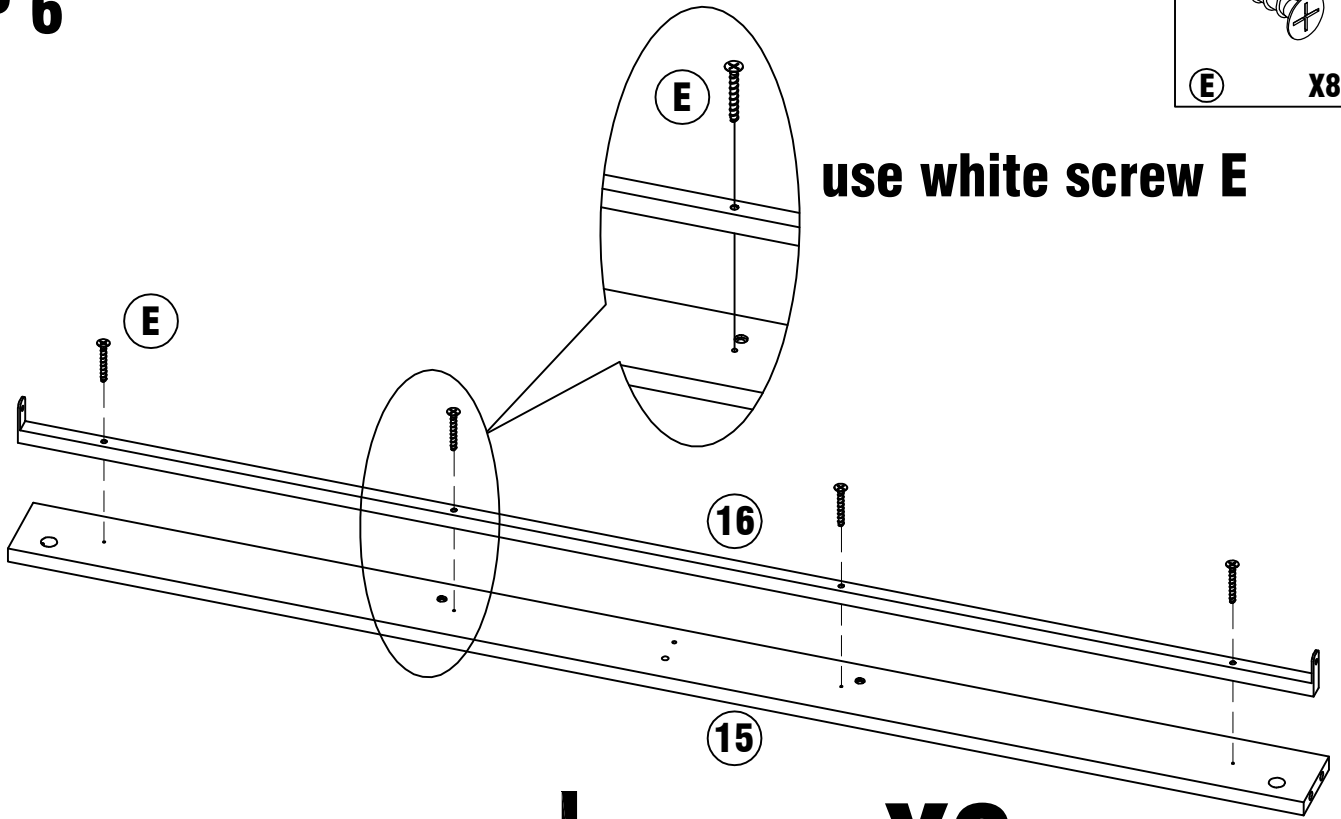


SUPPORT: +18882062161

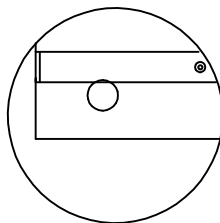
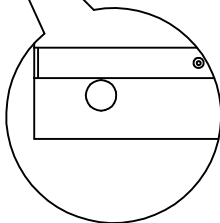
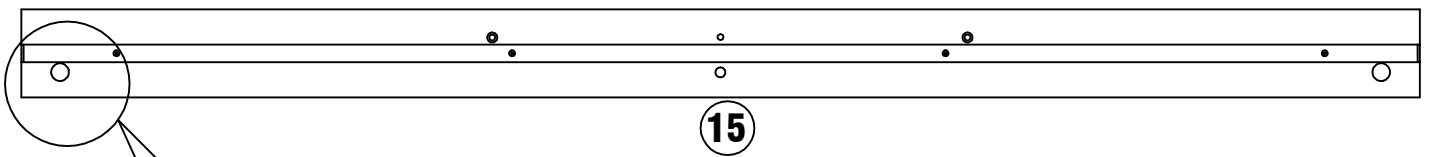
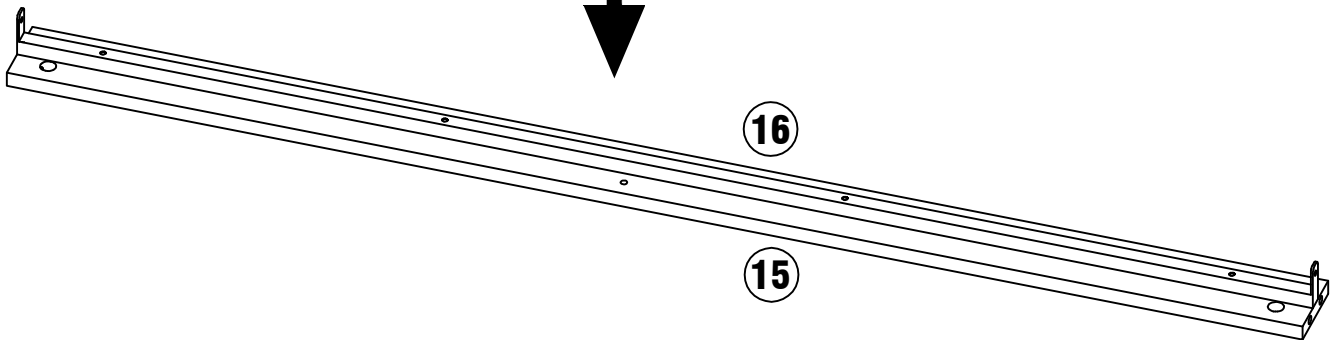
STEP 6



use white screw E

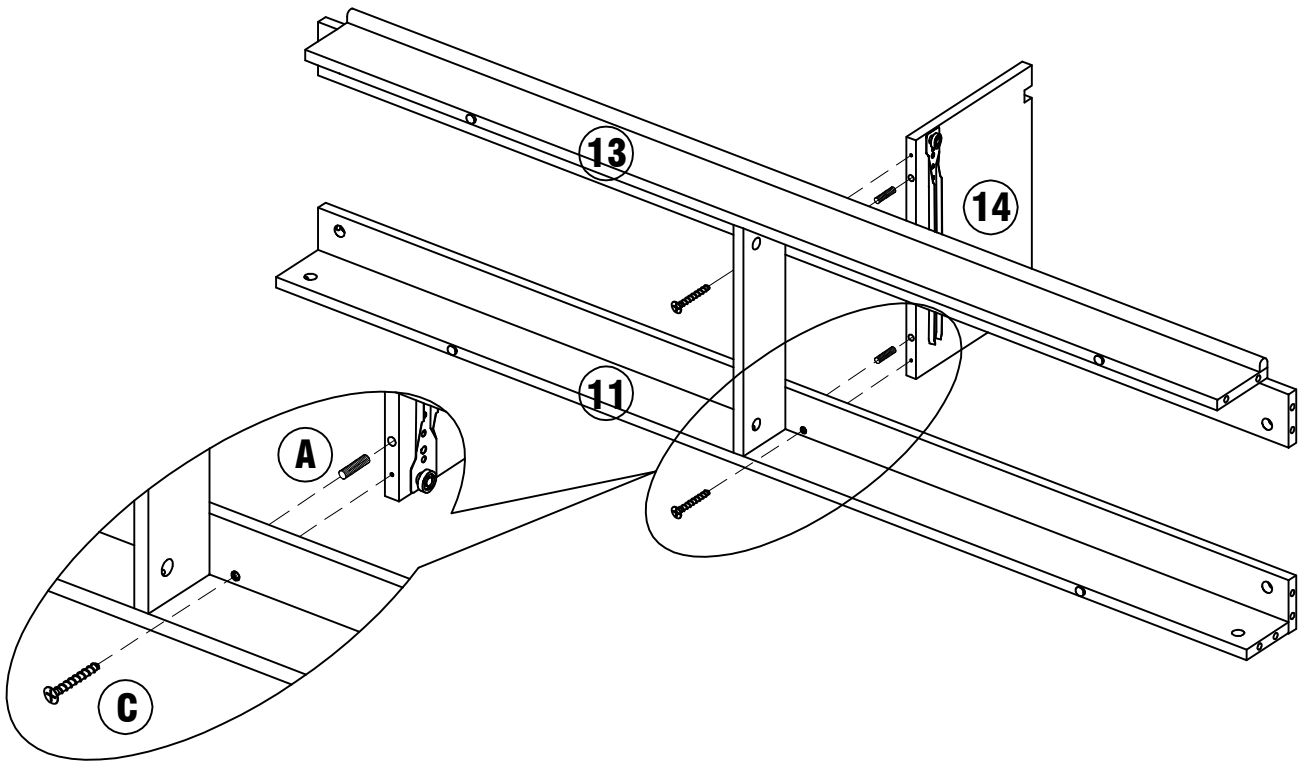
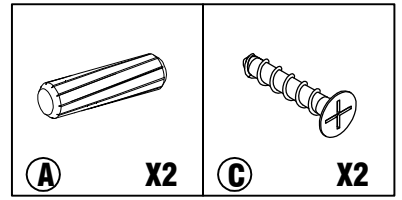


X2

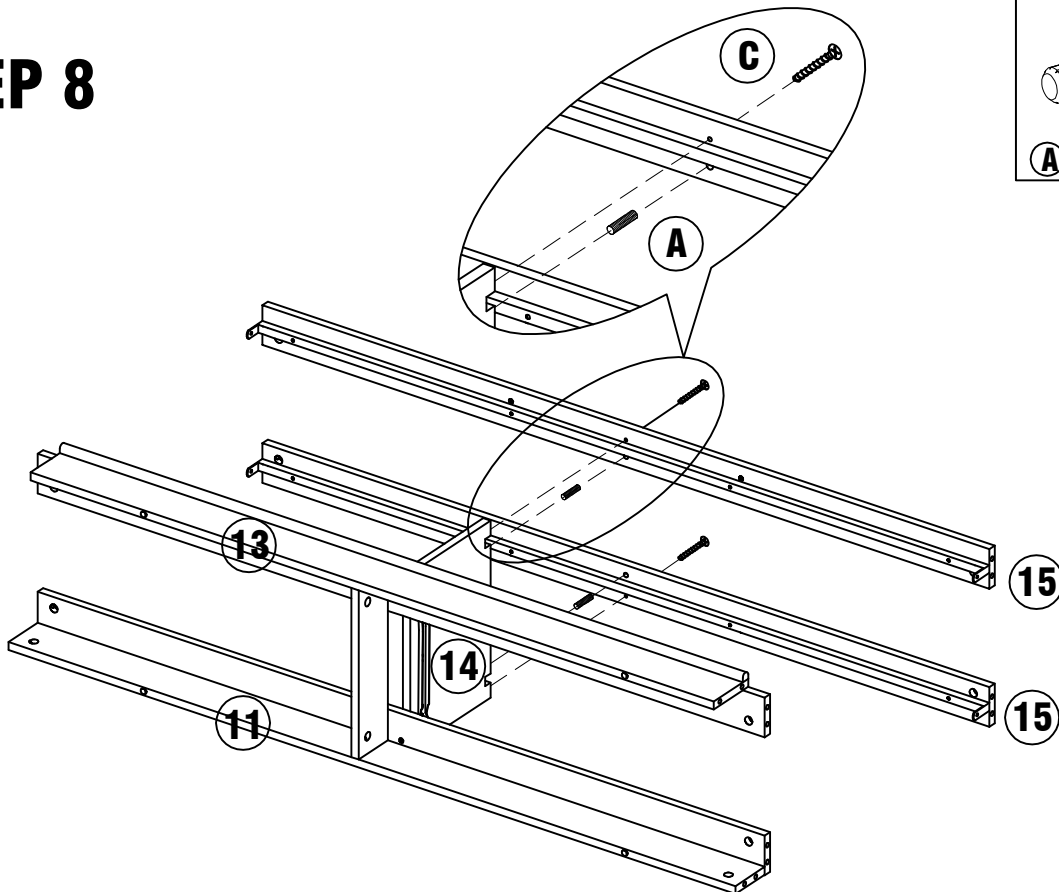
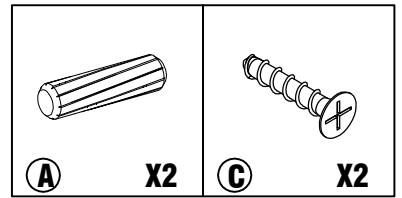


SUPPORT: +18882062161

STEP 7

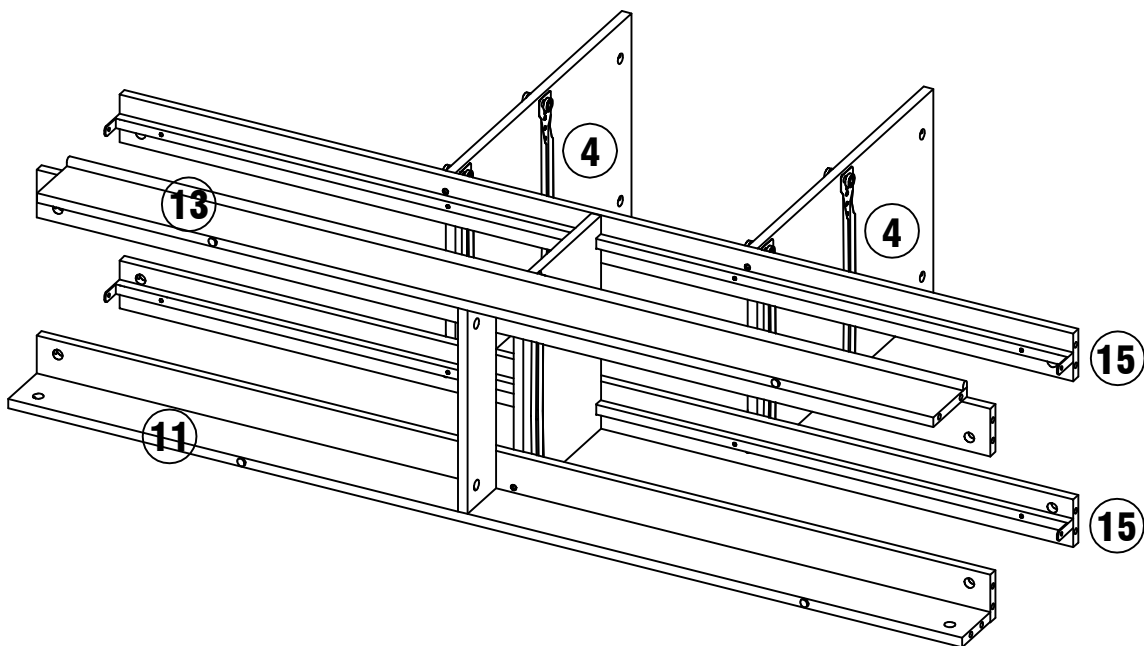
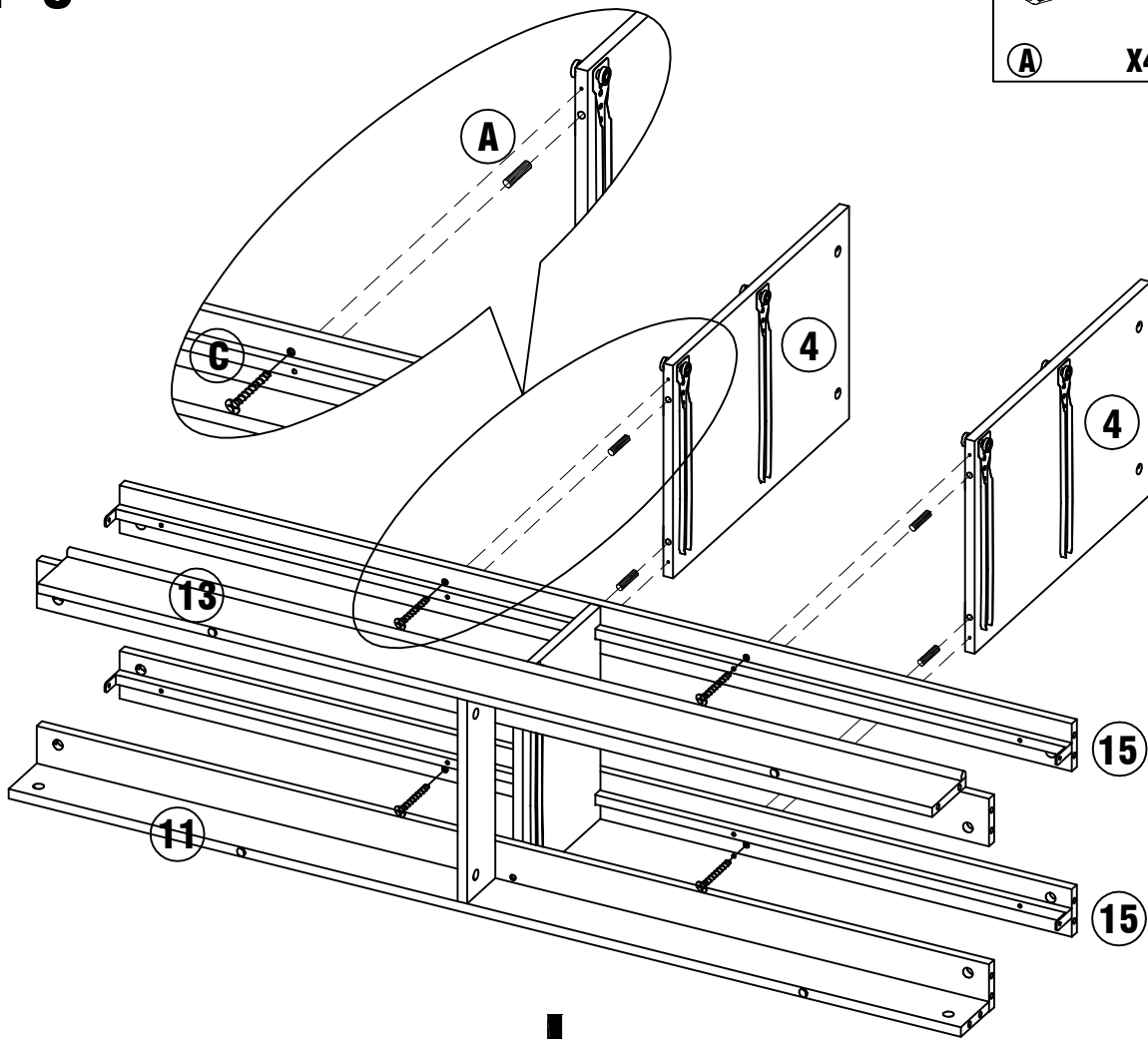
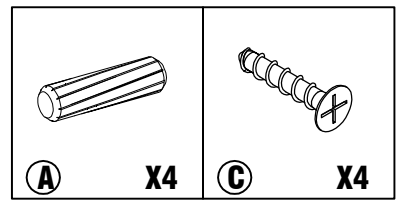


STEP 8



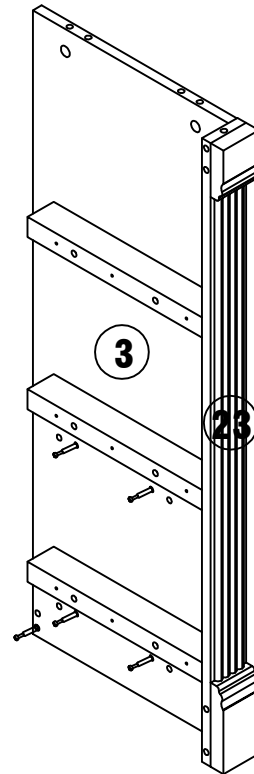
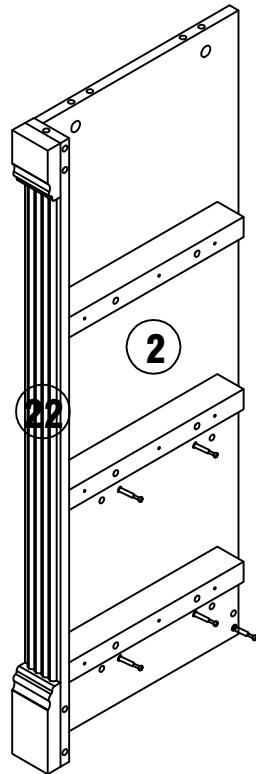
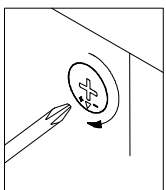
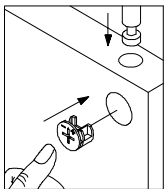
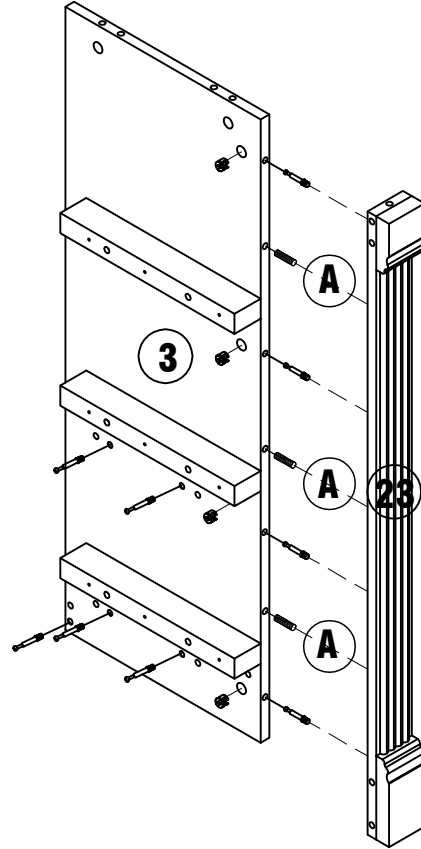
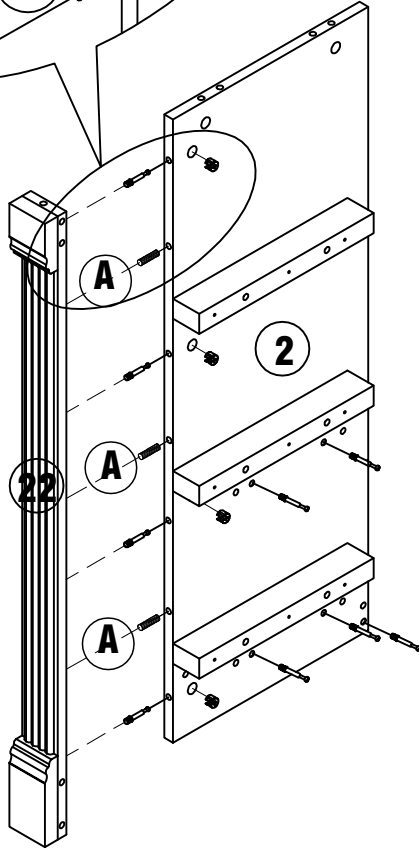
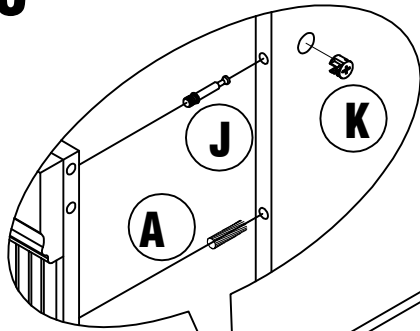
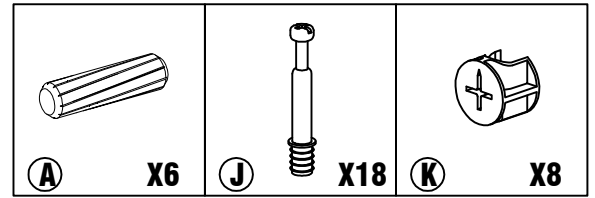
SUPPORT: +18882062161

STEP 9



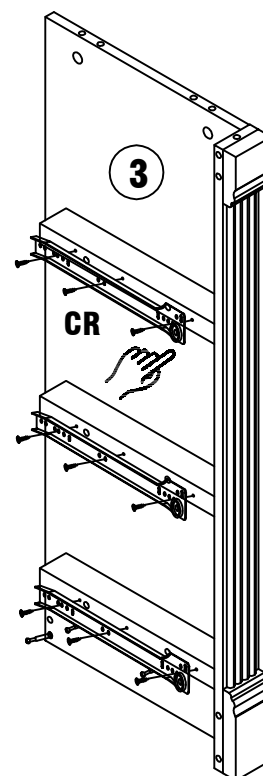
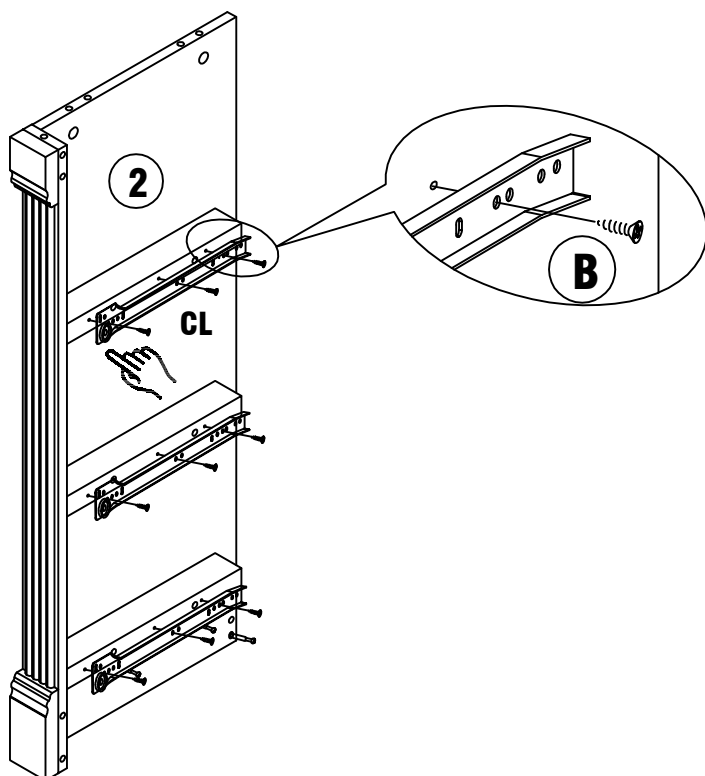
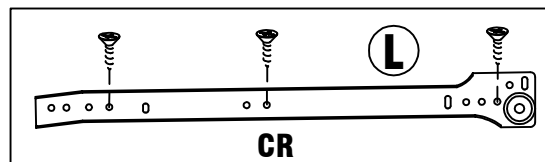
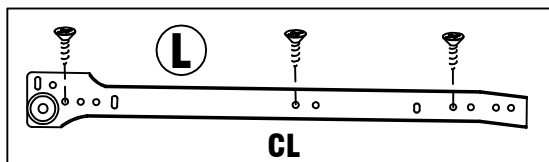
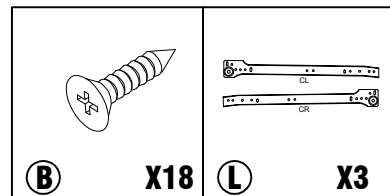
SUPPORT: +18882062161

STEP 10




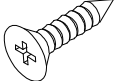
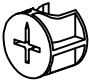
SUPPORT: +18882062161

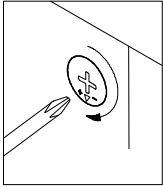
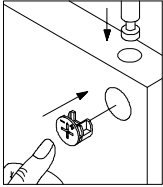
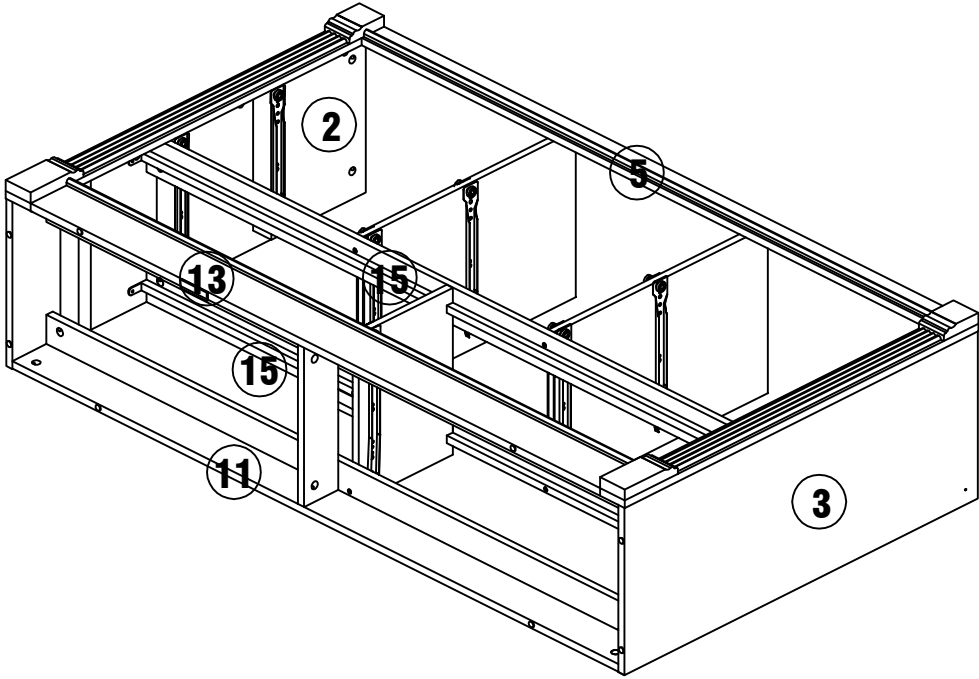
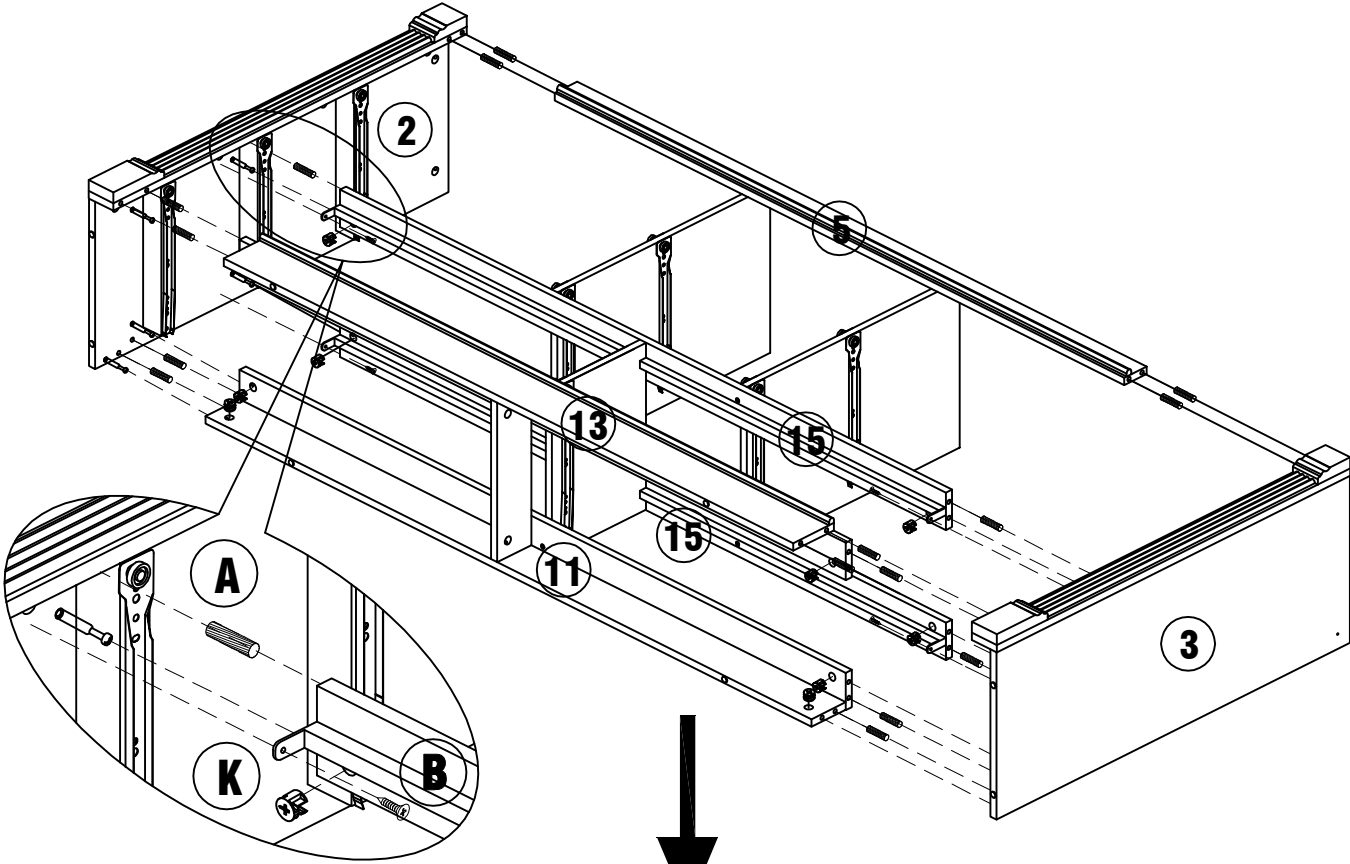
STEP 11



SUPPORT: +18882062161

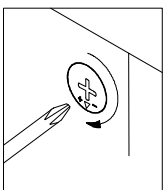
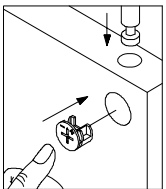
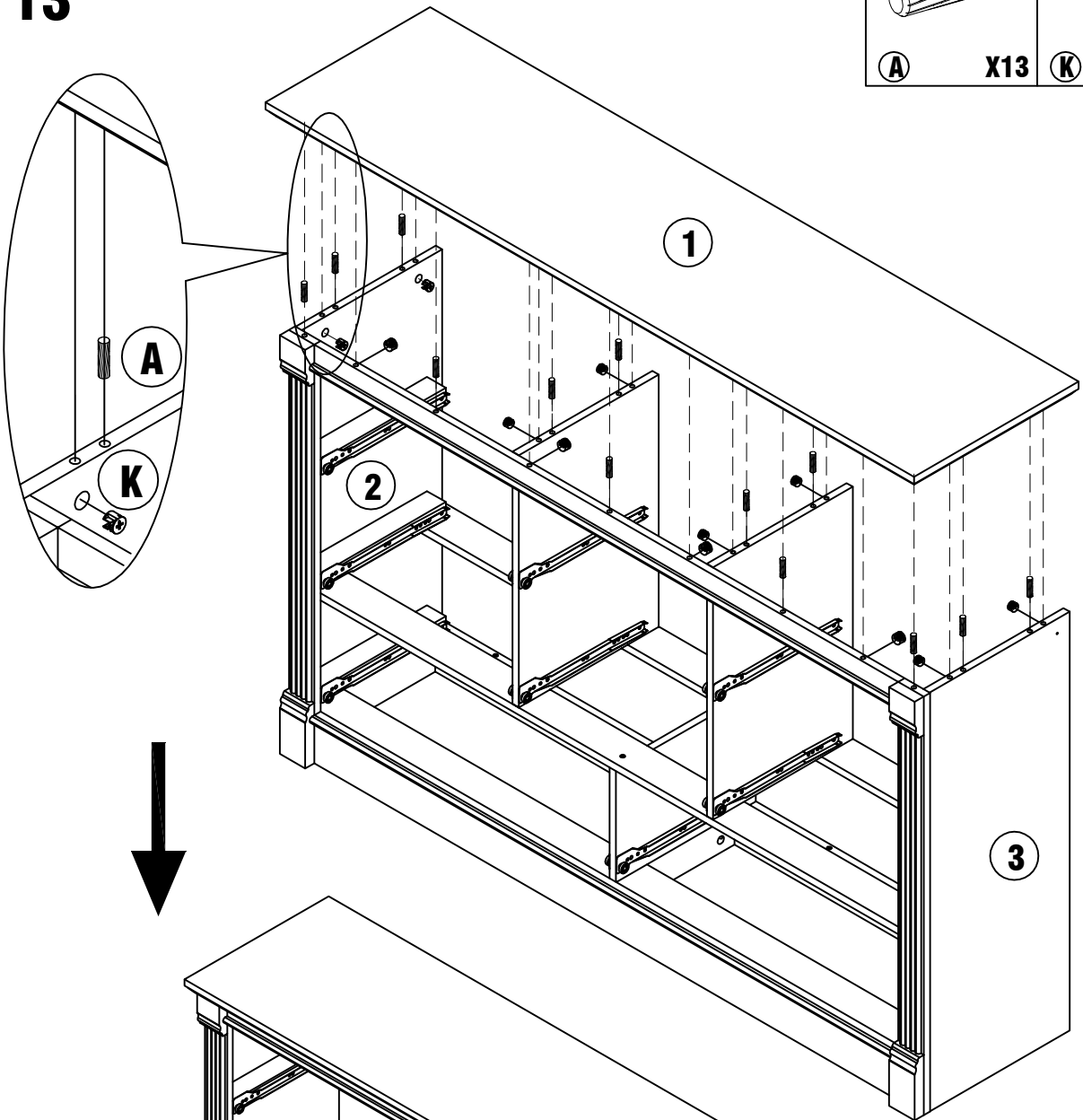
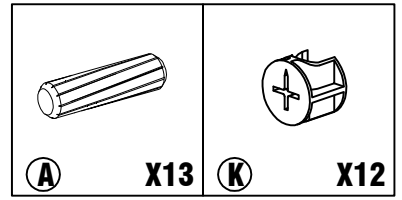
STEP 12

					
(A)	X18	(B)	X4	(K)	X10



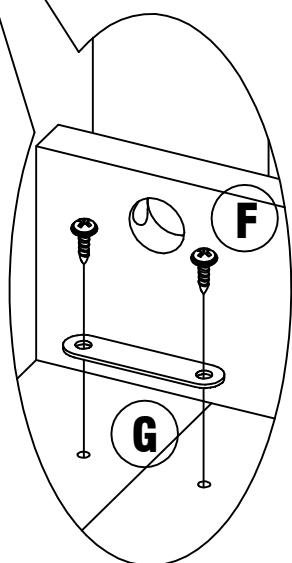
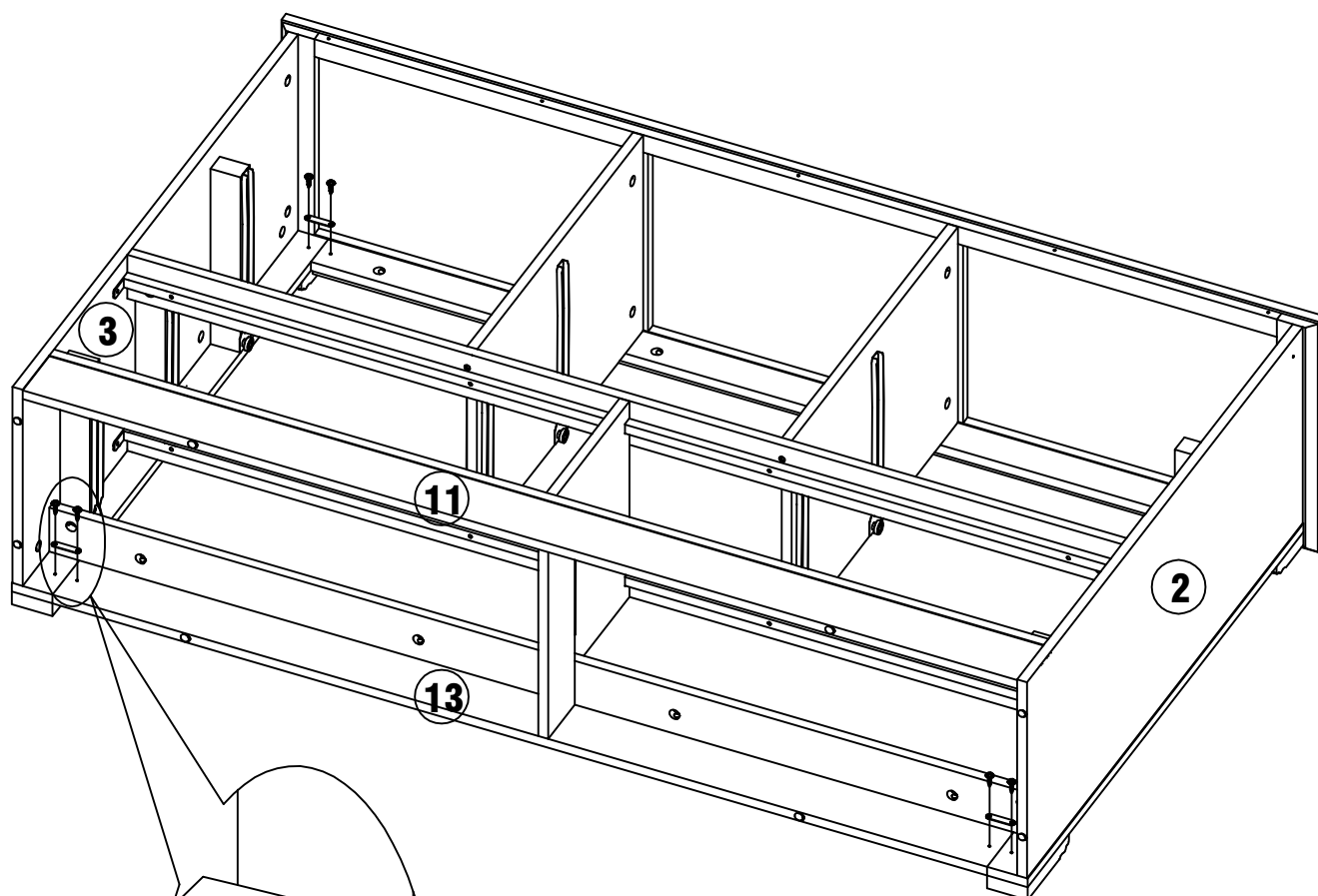
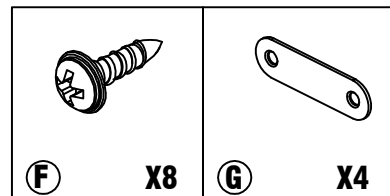
SUPPORT: +18882062161

STEP 13



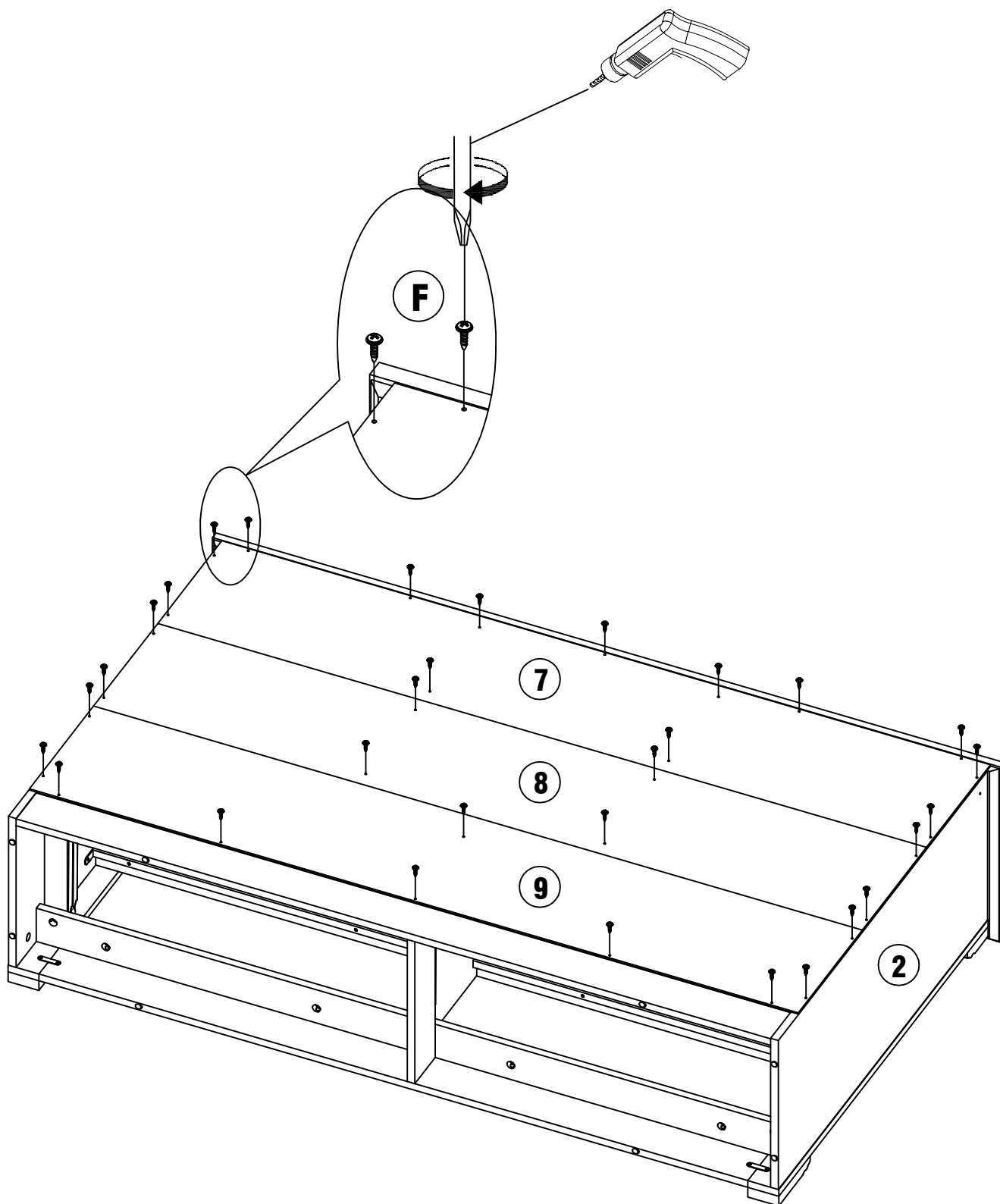
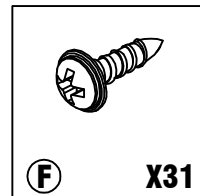
SUPPORT: + 18882062161

STEP 14



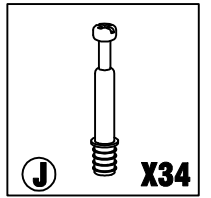
SUPPORT: +18882062161

STEP 15

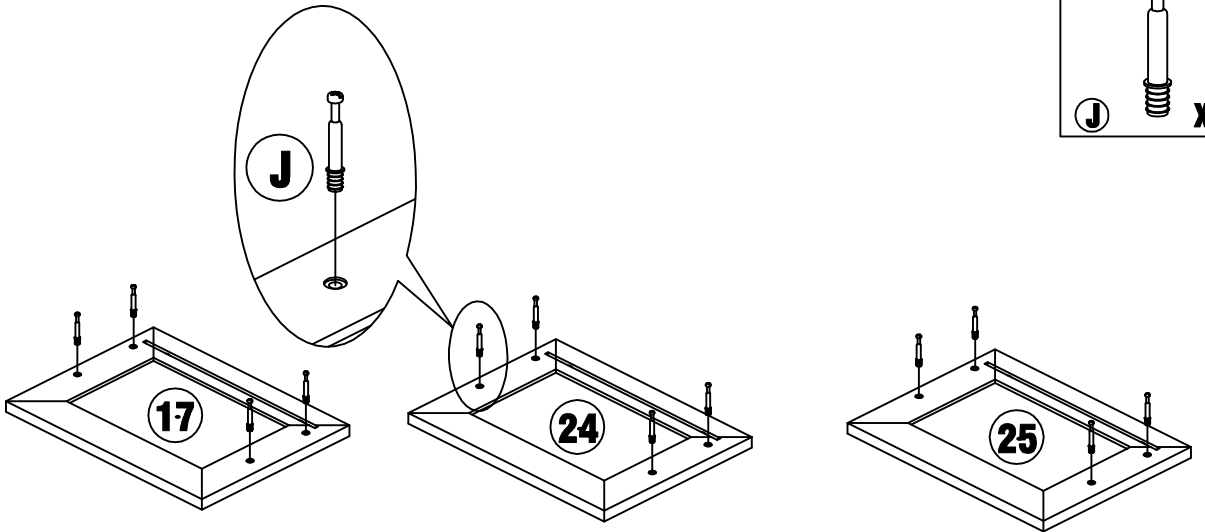


SUPPORT: +18882062161

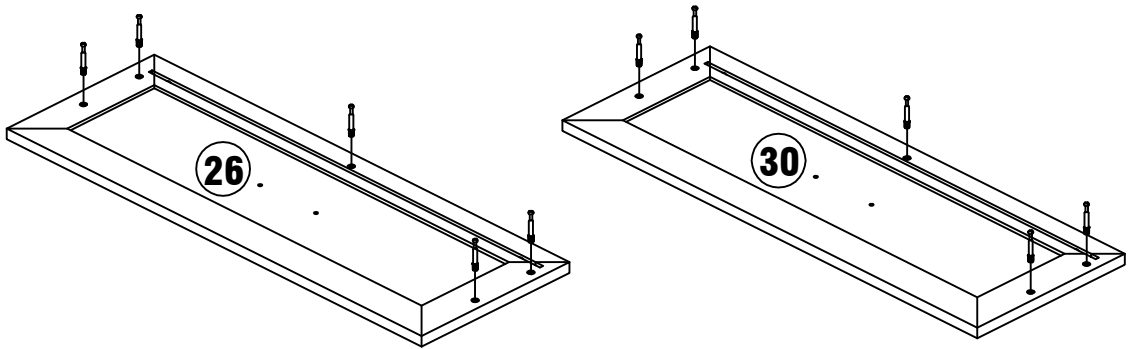
STEP 16



X2

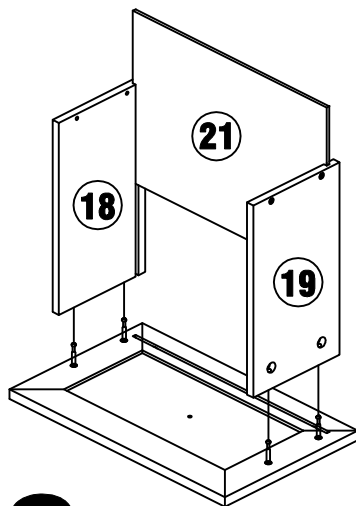


X1

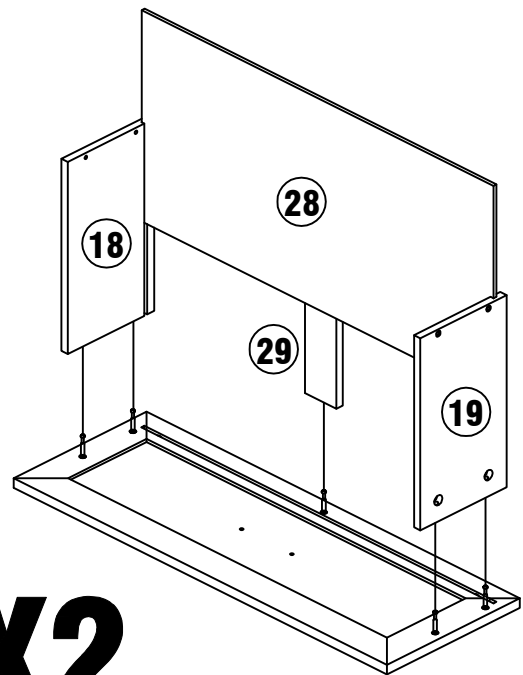


STEP 17

X6

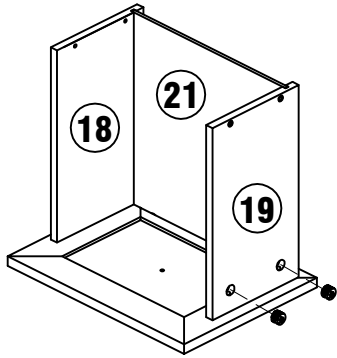
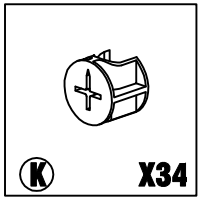


X2

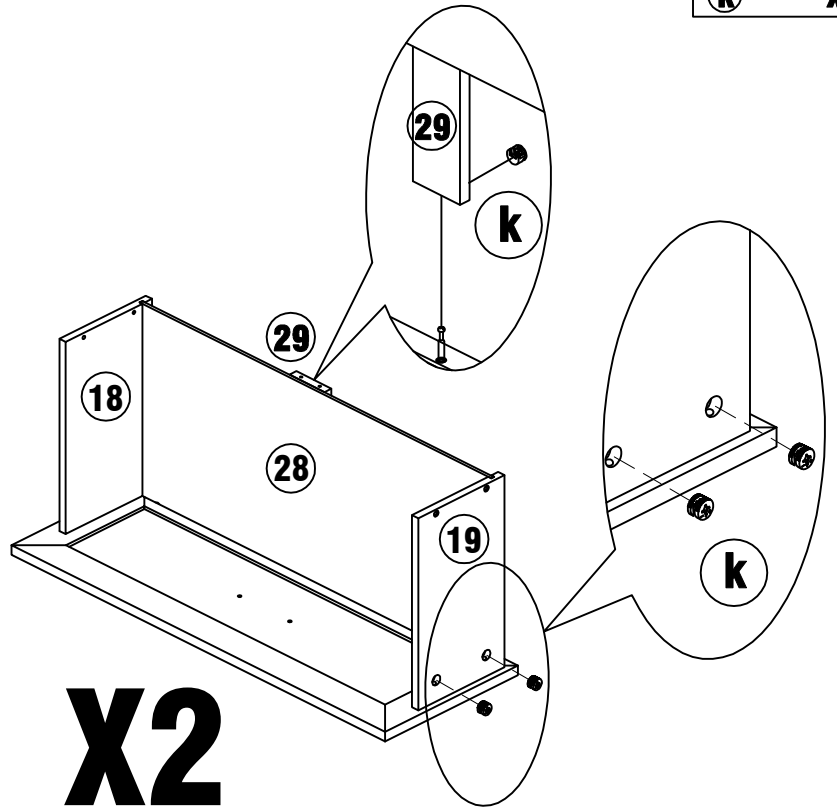


SUPPORT: + 18882062161

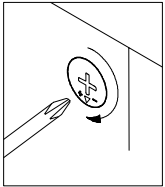
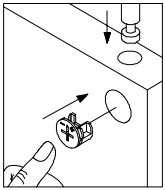
STEP 18



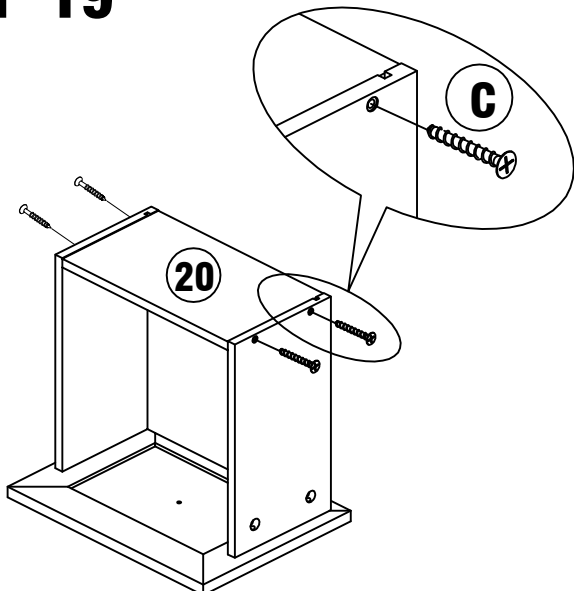
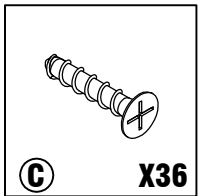
X6



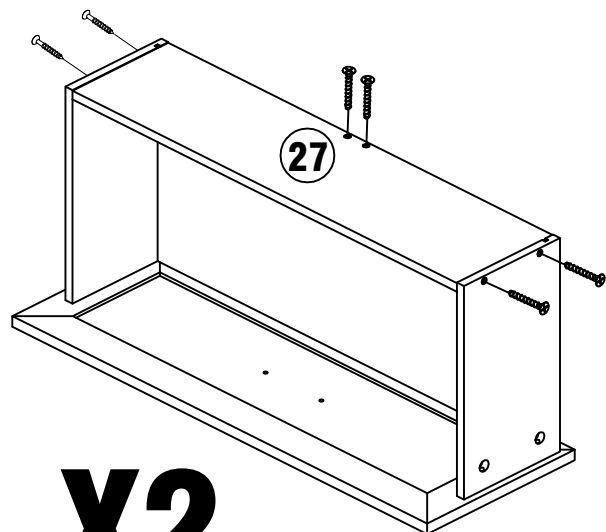
X2



STEP 19



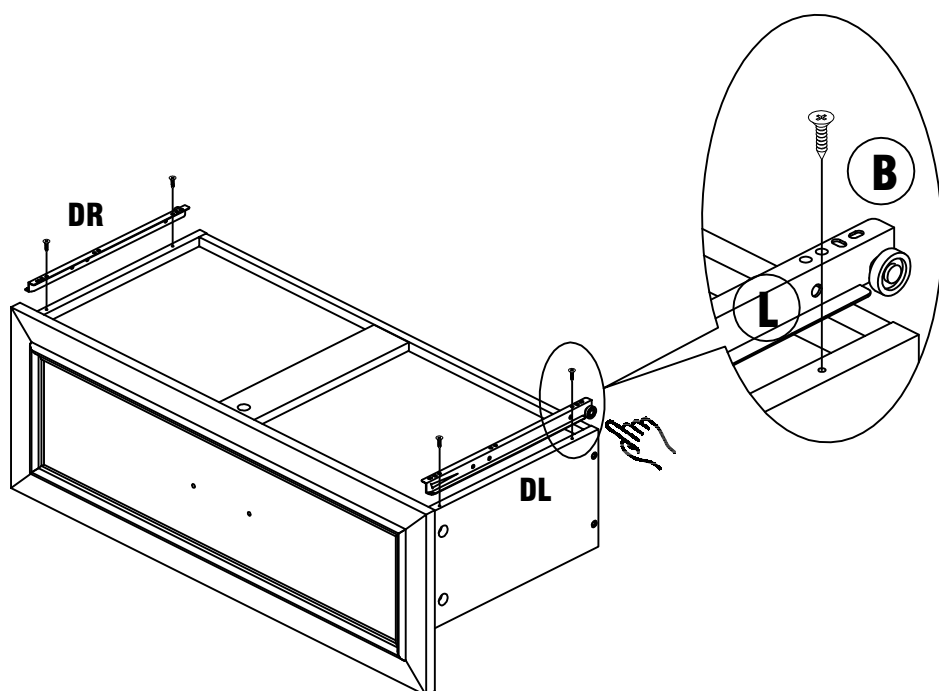
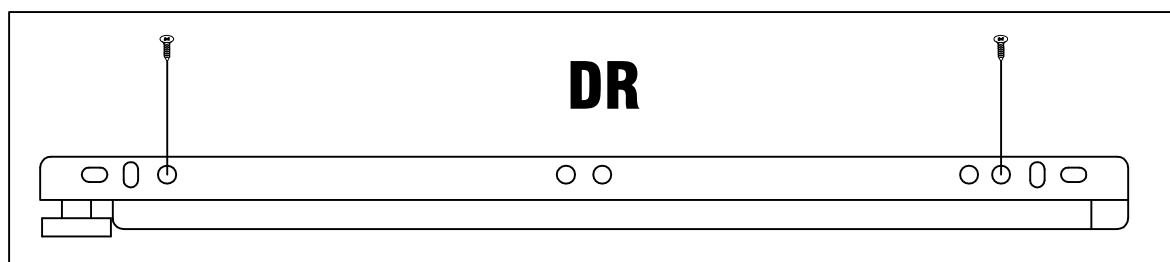
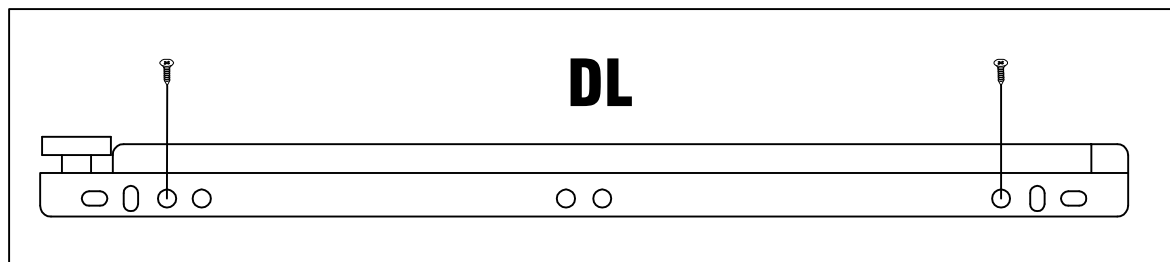
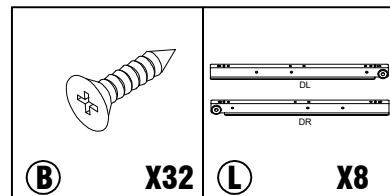
X6



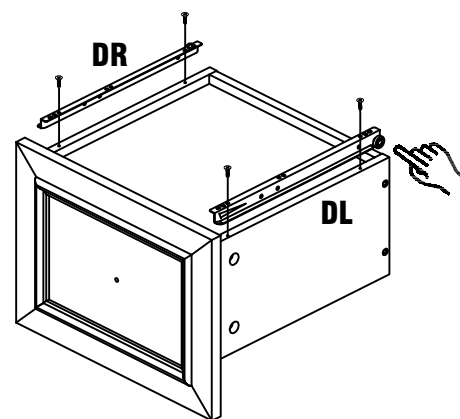
X2

SUPPORT: +18882062161

STEP 20





X2

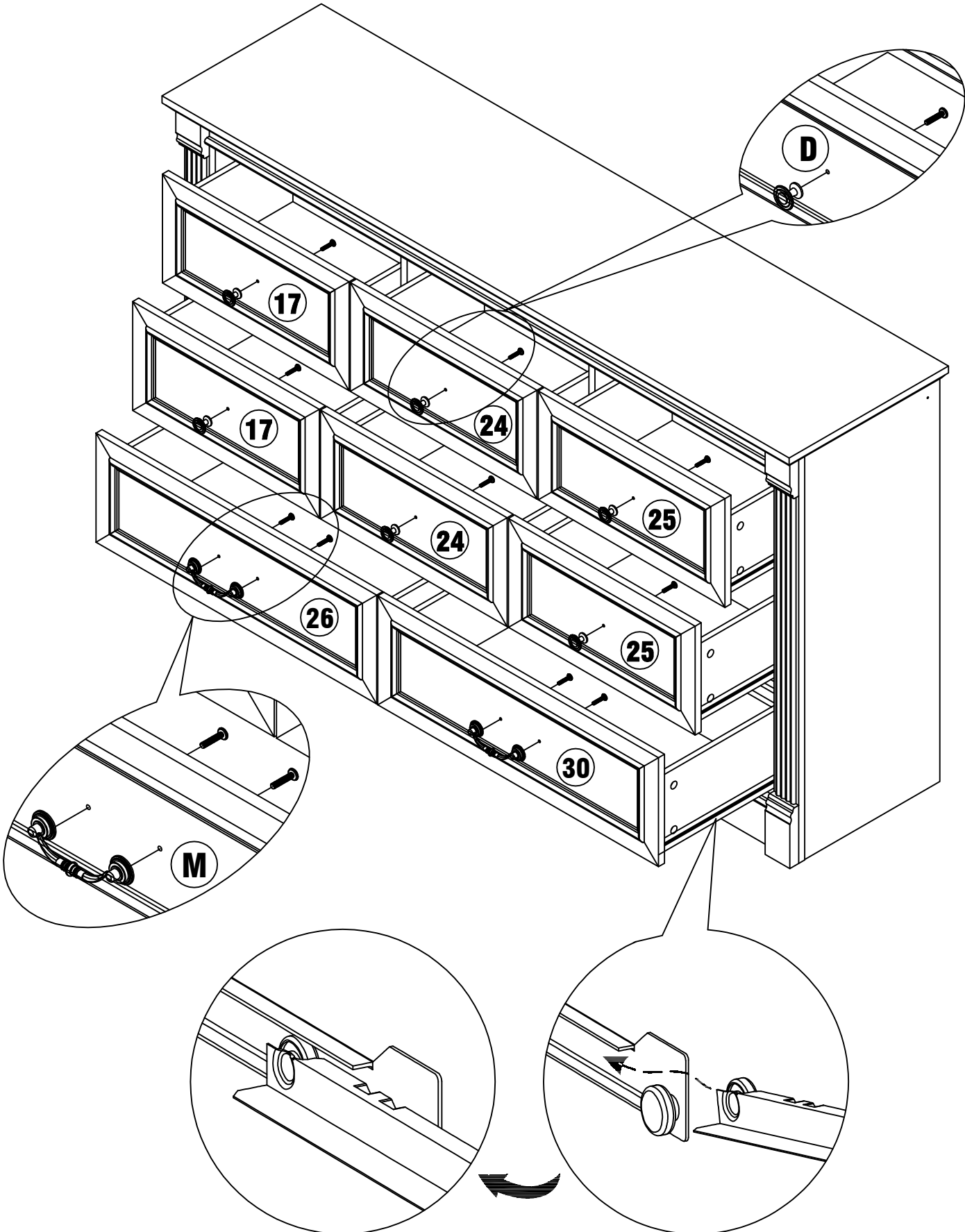


X6

SUPPORT: +18882062161

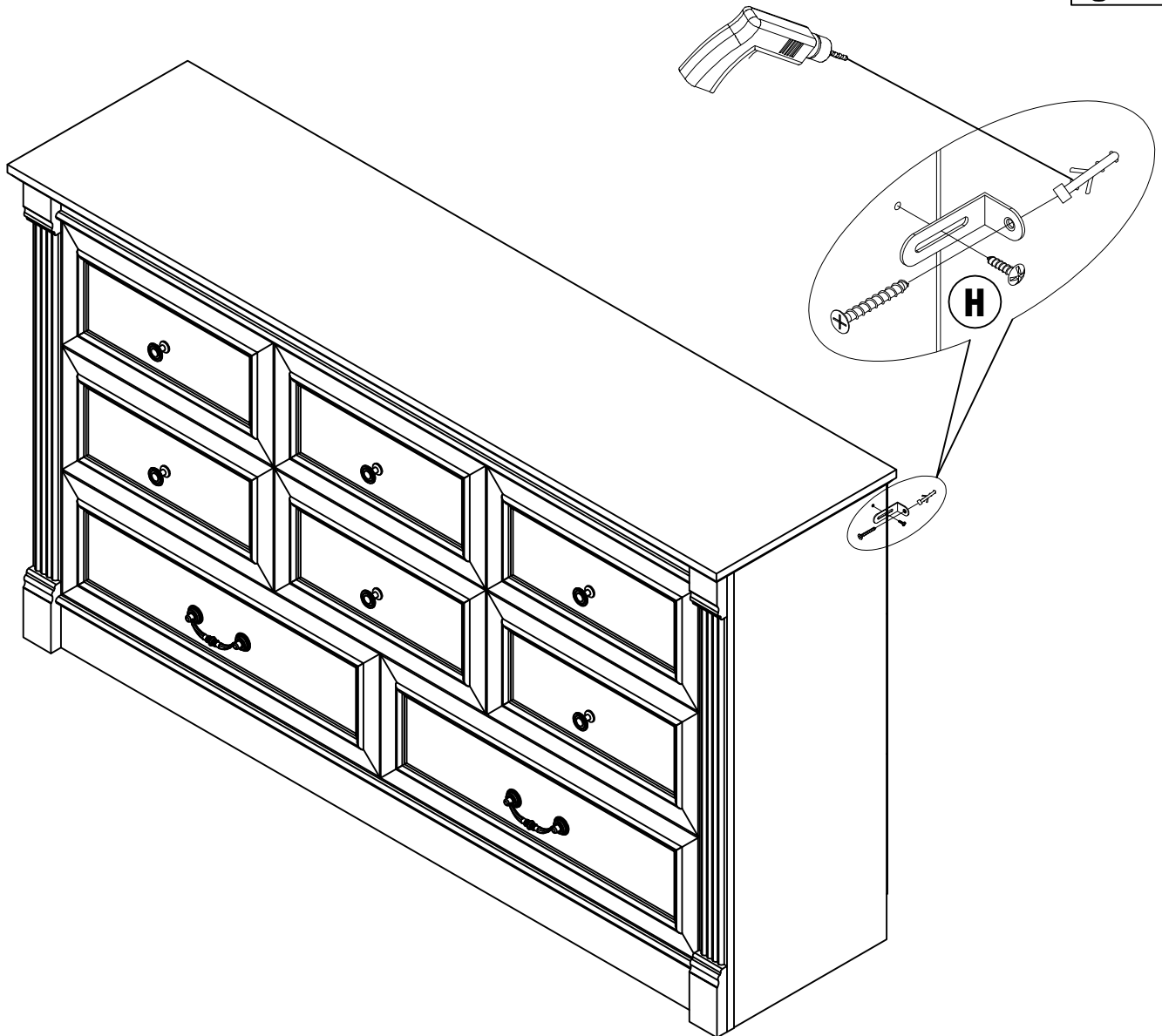
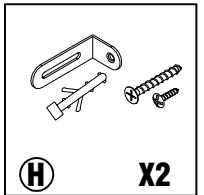
STEP 21

	
D	M
X6	X2



SUPPORT: +18882062161

STEP 22



⚠ WARNING



Children have died from furniture tipover. To reduce the risk of furniture tipover:

- ALWAYS install anti-tip device provided.
- NEVER put a TV on this product.
- NEVER allow children to stand, climb or hang on any drawers, doors, or shelves.
- NEVER open more than one drawer at a time.
- Place heaviest items in the lowest drawers.

*this is a permanent label.
Do not remove!*

SUPPORT: +18882062161