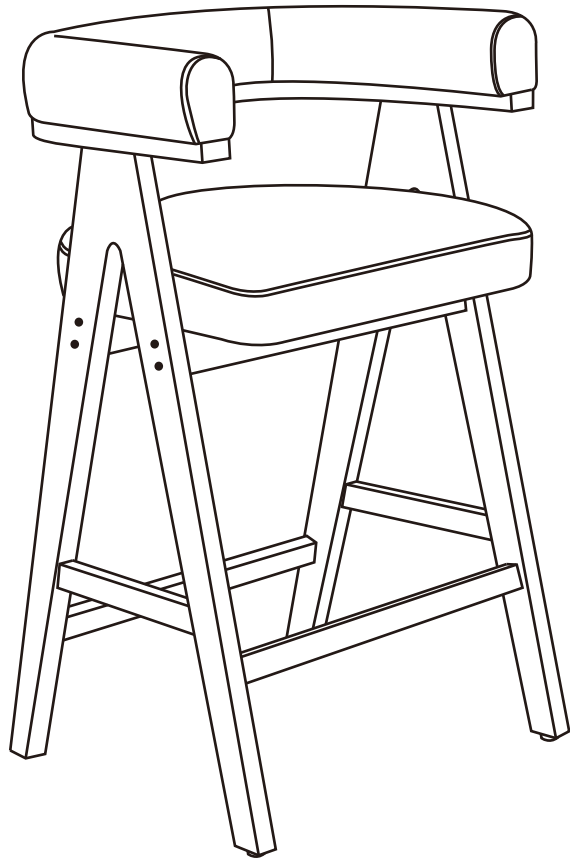


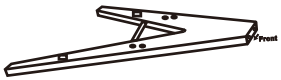
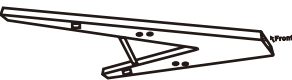
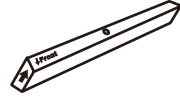

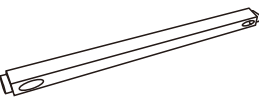





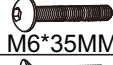

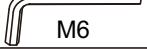
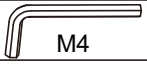

ASSEMBLY INSTRUCTION

Counter Stool 63241CS



LABEL		DESCRIPTION	QTY
A		Seat	1
B		Back	1
C		Handrail-L	1
D		Handrail-R	1
E		Wood cross	1
F		Wood cross	1
G		Wood cross	1
H		Wood cross	1

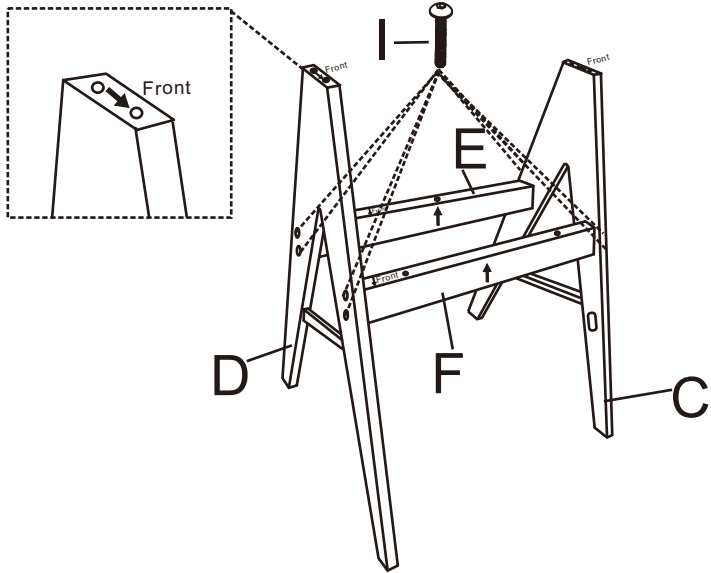
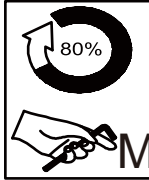
Har

I	 M6*45MM	Bolts	11
J	 M6*40MM	Bolts	4
K	 M6*35MM	Bolts	4
L	 M6*20MM	Bolts	4
M	 M6	Allen Wrench	1
N	 M4	Allen Wrench	1
O	 o aUPo o	Iron Plate	2

1

I x 8pcs
M6*45MM

M x 1pc
M6

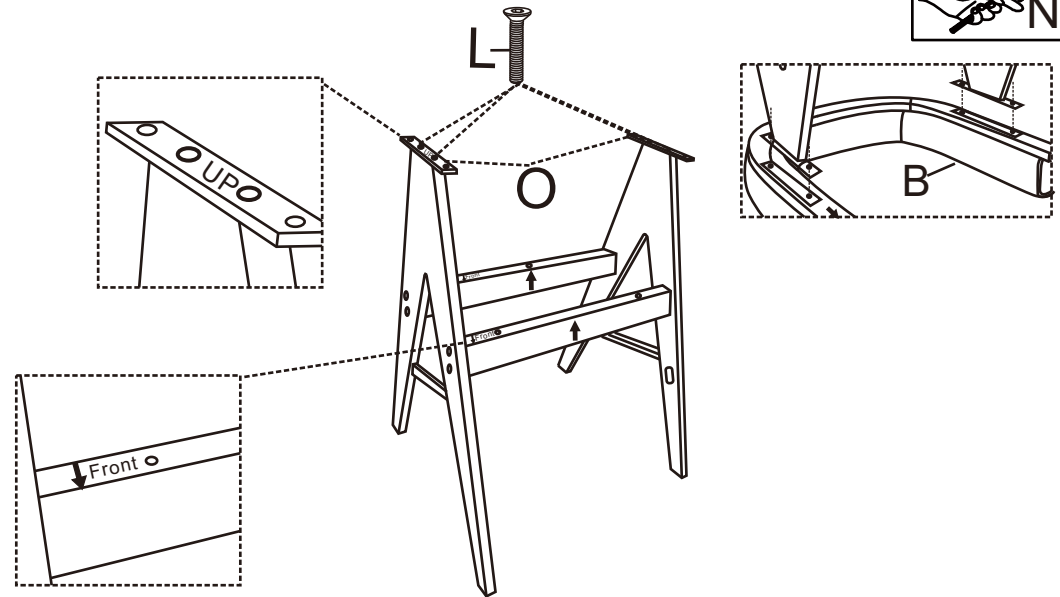
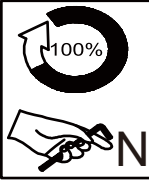


2

L x 4pcs
M6*20MM

N x 1pc
M4

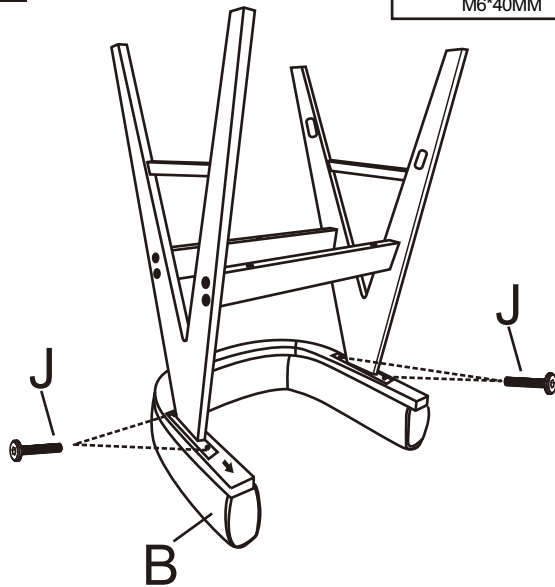
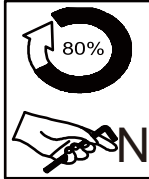
O x 2pcs



3

J x 4pcs
M6*40MM

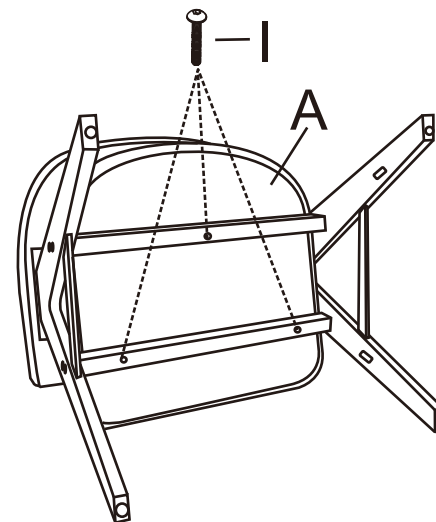
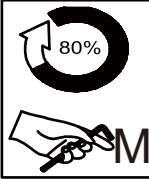
N x 1pc
M4



4

I x 3pcs
M6*45MM

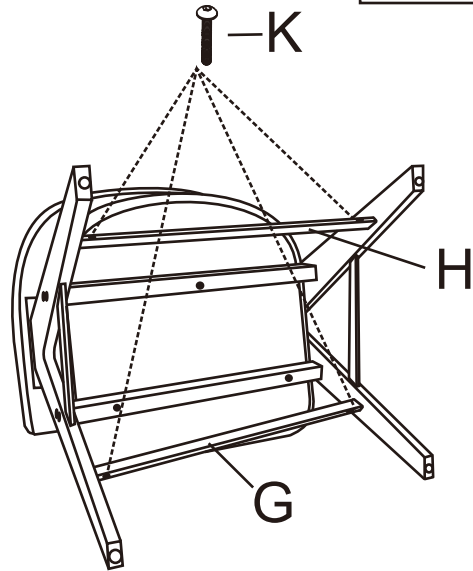
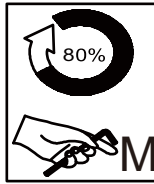
M x 1pc
M6



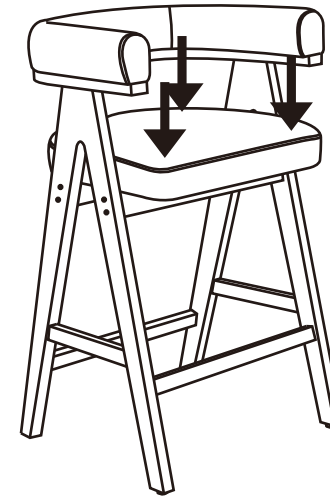
5

K x 4pcs
M6*35MM

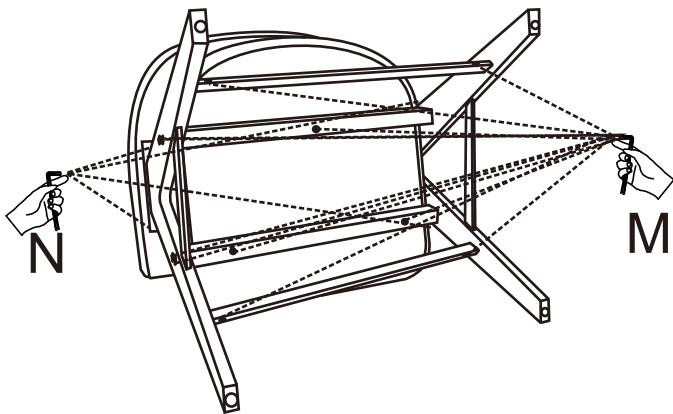
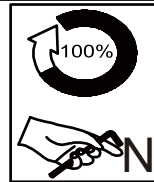
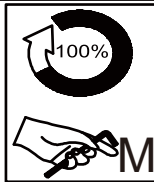
M x 1pc
M6



6



7



Fully tighten all bolts on this step!

8



Note: Each leg has an adjustable foot leveler to help level your chair.