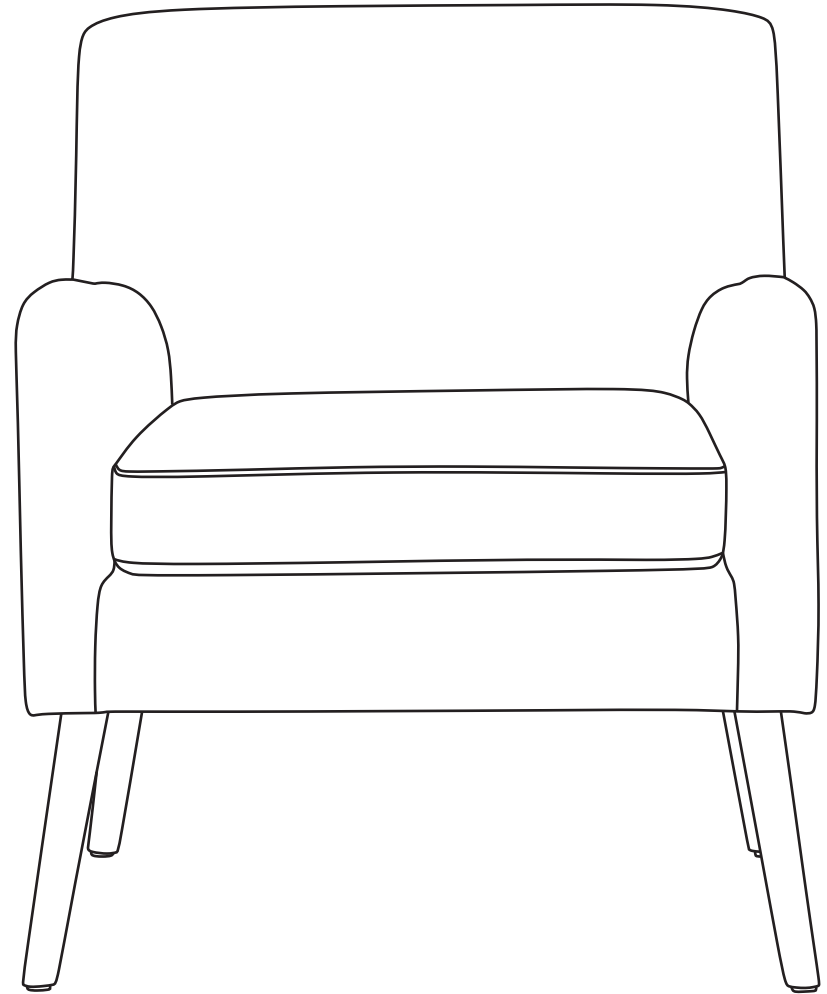


Instruction Manual

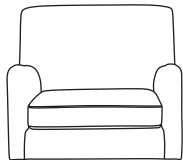





User Guide

Make life better

Warm tips: We are proud of high-quality products and satisfactory service, but the goods may encounter special circumstances during transportation, if you receive the goods with missing or damaged parts, please take photos and contact our customer service before returning the goods, we will customize a solution that satisfies you, thank you.



Instruction

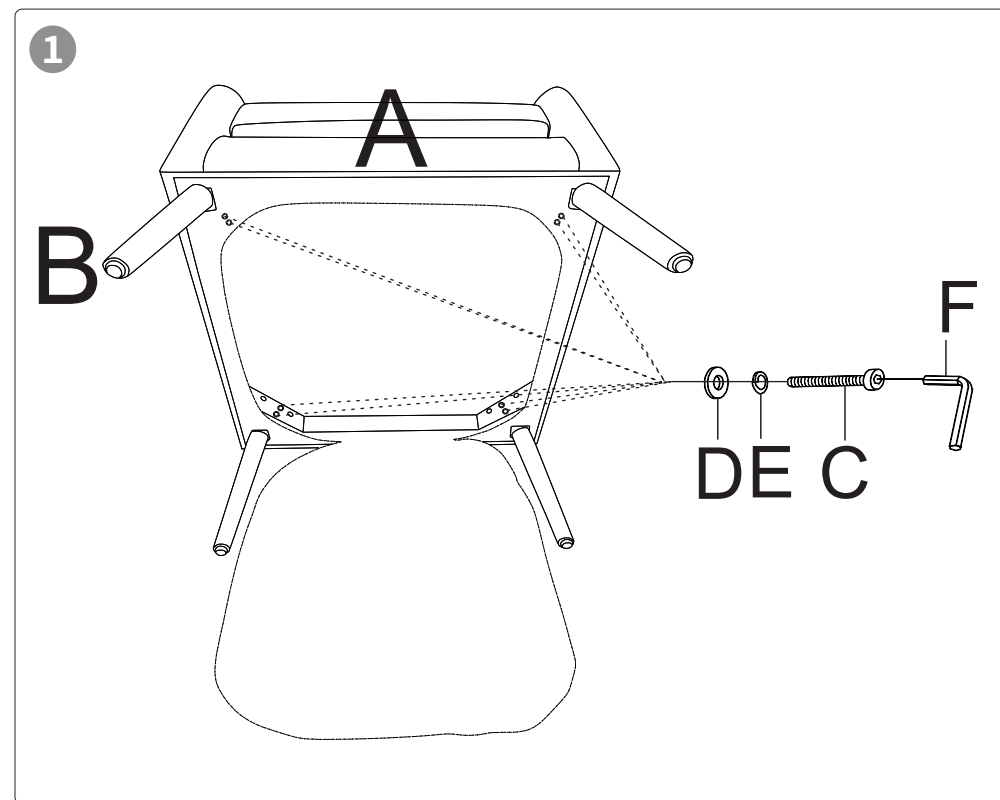
NO	DESCRIPTION		QTY
A	Seat Frame		1
B	Legs		4
C	Screw	Φ5/16 " * 2" L 	8
D	Flat Washer	Φ5/16" * 22mm 	8
E	Lock Washer	Φ5/16" 	8
F	Allen Wrench	Φ5mm 	1

Note:

1. During the assembly of the two components, if there are multiple screws that need to be installed, you can first align all the screws with the hole position and manually turn a few turns to fix the position, and then tighten them all with a wrench.

2. The Flat Washer and Lock Washer must be installed to prevent the screw from loosening and damaging the connection part.

Installation Method



Installation Steps: Open the parts box, take out the four legs and parts, unzip the non-woven fabric at the bottom of the seat frame, and install the four legs on the seat bottom frame according to the screw sequence shown in the figure. and tighten them with screws.

Warm Reminder: If there are legs that cannot be screwed in, you can try to swap the positions of the 4 legs and reinstall