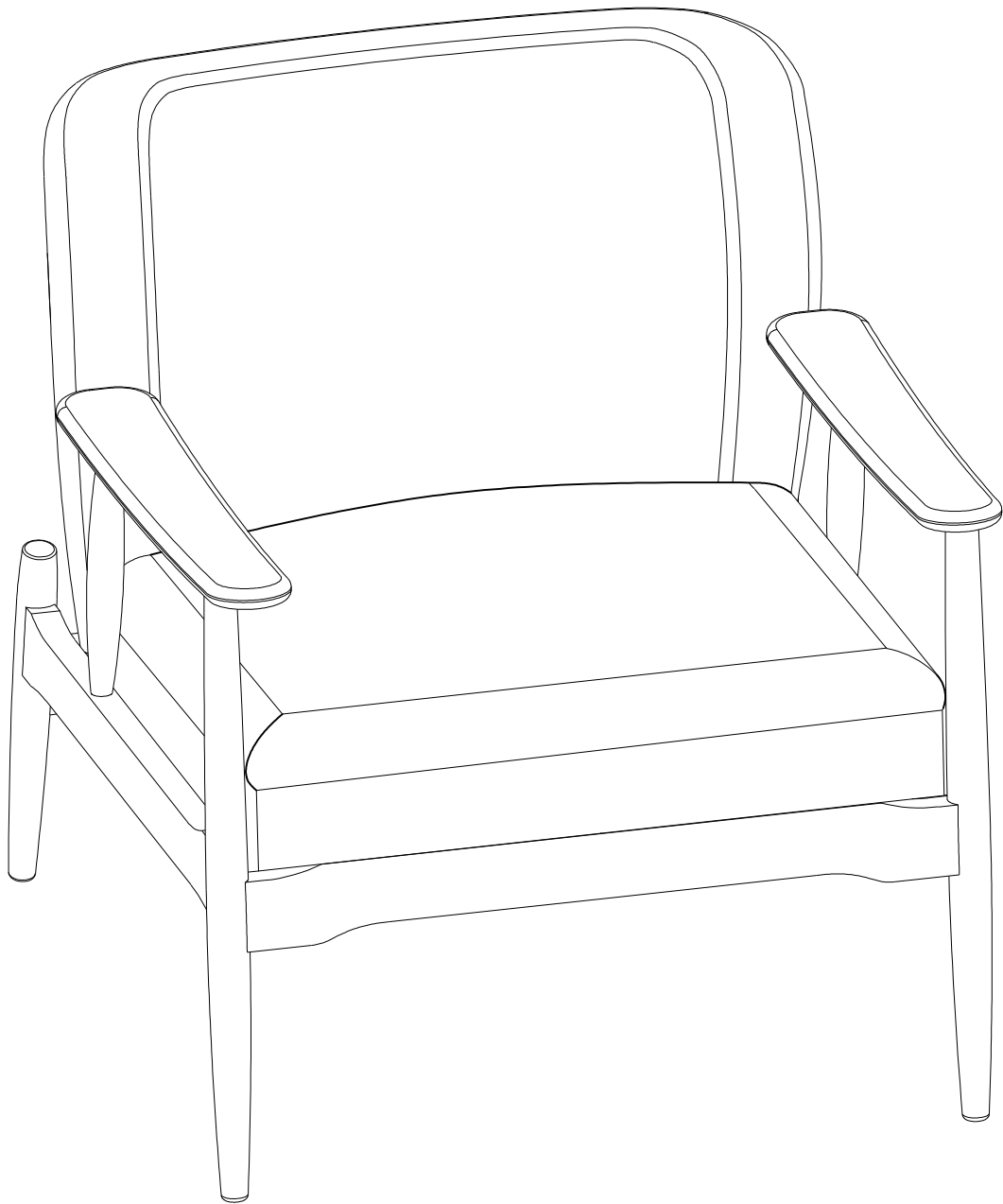


# Assembly Instructions

## LOUNGE CHAIR

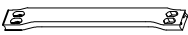
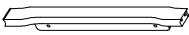
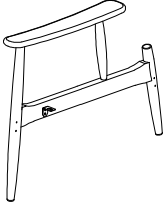
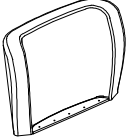
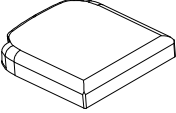



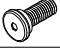



# LOUNGE CHAIR

## ASSEMBLY INSTRUCTIONS

Please kindly read these instructions carefully and keep for future reference. Refer to parts inventory for guidance, and ensure you have all pieces before starting. When assembling, place all parts on a soft, clean, and flat surface such as a carpet to prevent scratches. If you're having difficulty, our friendly Customer Care team is always here to help.



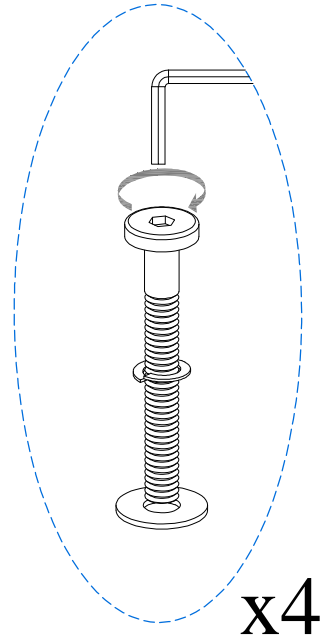
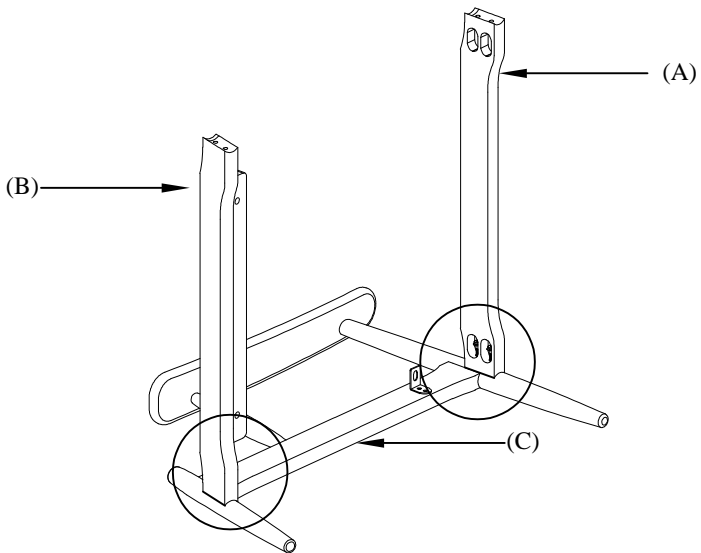
PART LIST			
ID	DESCRIPTION		QTY
(A)	 Front Frame		1 pc
(B)	 Back Frame		1 pc
(C)	 Leg		2 pcs
(D)	 Back Cushion		1 pc
(E)	 Seat Cushion		1 pc

HARDWARE LIST		
	Bolt M6x50	15 pcs
	Bolt M6x20	2 pcs
	Spring Washer Ø6.5xØ10	17 pcs
	Flat Washer Ø6.5xØ16	17 pcs
	Allen Key	1 pc

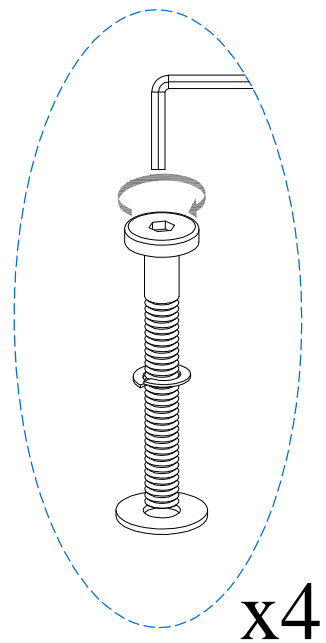
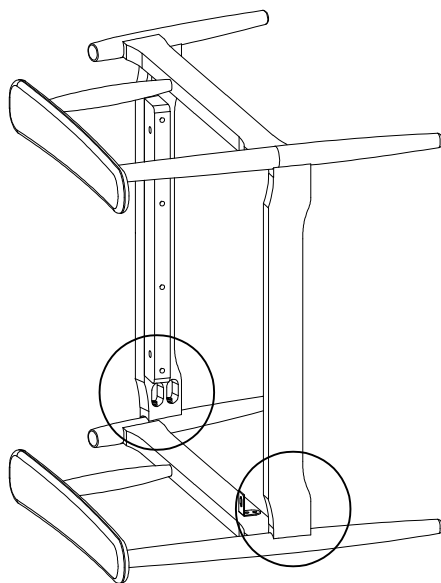
**Note: Make sure you have all the parts and hardware with quantity listed above before assembling the product.**

# LOUNGE CHAIR

**STEP 1** Note: DO NOT TIGHTEN ANY BOLT UNTIL ALL THE BOLTS ARE INSERTED PROPERLY

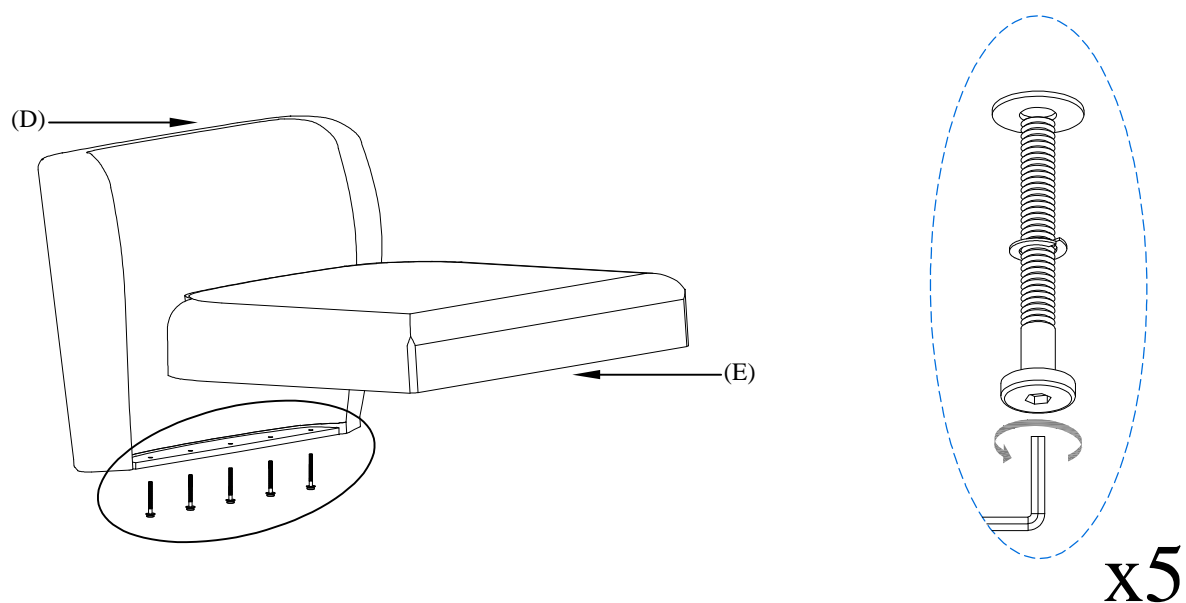


**STEP 2** Note: DO NOT TIGHTEN ANY BOLT UNTIL ALL THE BOLTS ARE INSERTED PROPERLY

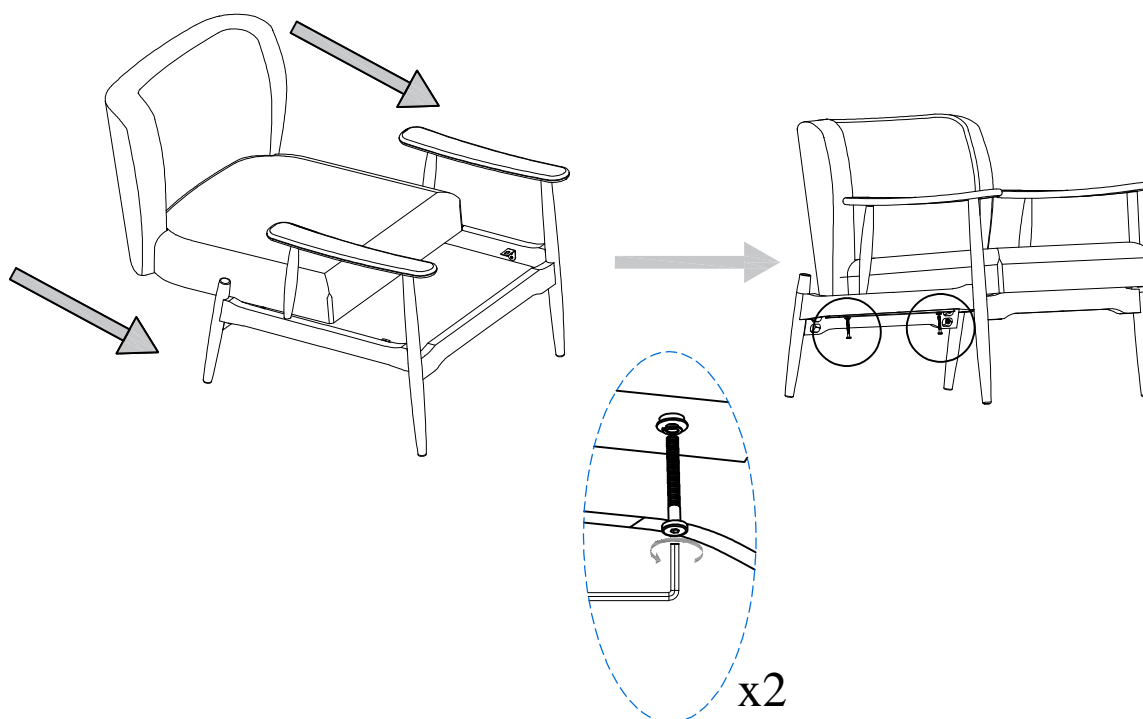


# LOUNGE CHAIR

**STEP 3** Note: DO NOT TIGHTEN ANY BOLT UNTIL ALL THE BOLTS ARE INSERTED PROPERLY

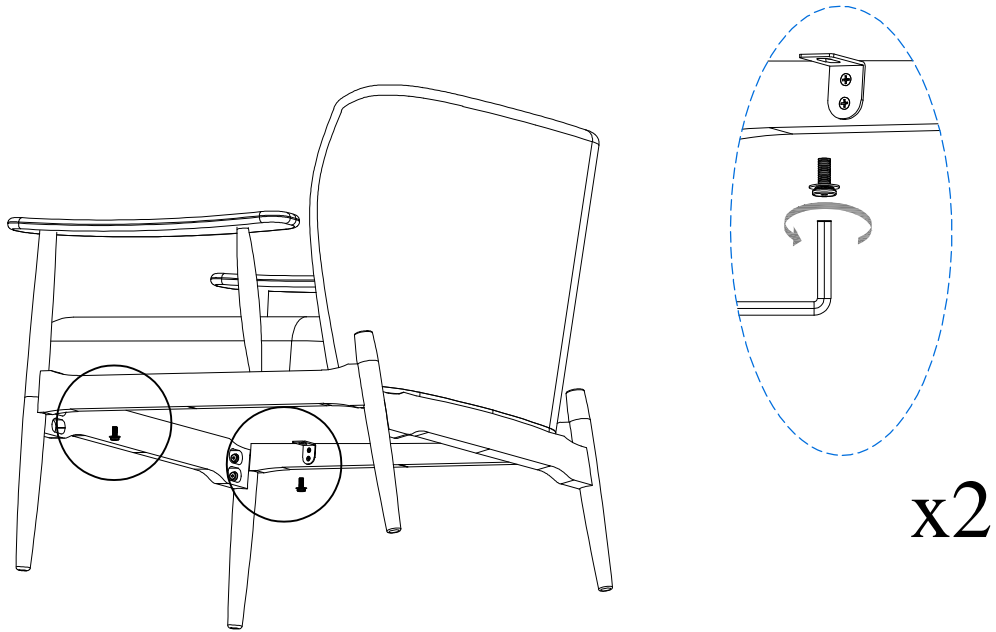


**STEP 4** Note: DO NOT TIGHTEN ANY BOLT UNTIL ALL THE BOLTS ARE INSERTED PROPERLY



# LOUNGE CHAIR

**STEP 5** Note: DO NOT TIGHTEN ANY BOLT UNTIL ALL THE BOLTS ARE INSERTED PROPERLY



**FINSISH**

