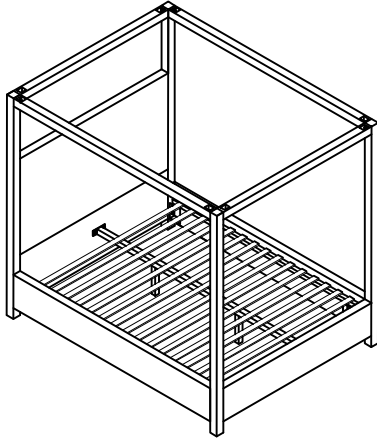
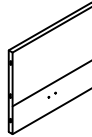


ASSEMBLY INSTRUCTIONS BED - QUEEN

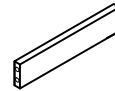


+ Parts Included

① Head Board
(1pc)



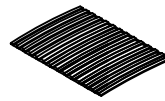
② Foot Board
(1pc)



③ Side Rails
(2pcs)

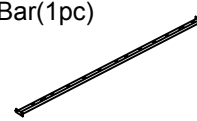


⑦ Slats joint
(1set=13pcs)



*Slats come packed
in the bottom of
headboard carton.

⑤ Center Support
Bar(1pc)

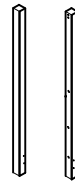


⑥ Support
Legs(2pcs)



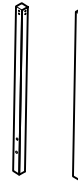
⑦ Bar 2pcs

⑦-1 ⑦-2

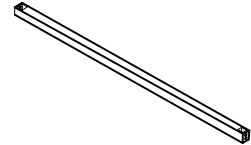


⑧ Bar 2pcs

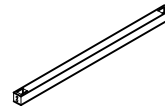
⑧-1 ⑧-2



⑨ Bar 2pcs



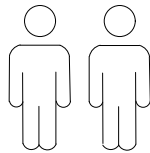
⑩ Bar 2pcs



+ Do Not Use
Power Tools



+ Suggested
Adults



NOTE :

- 1 Read instructions cover to cover.
- 2 Save all packaging until assembly is completed.

1 IMPORTANT SAFETY INFORMATION

Do not assemble the product if any of the following parts arrived damaged:

- Part #③ -Side Rails
- Part #④ -Slats joint
- Part #⑤ -Center Support Bar
- Part #⑥ -Support Legs

2 IMPORTANT ASSEMBLY INFORMATION

Assembly Step ⑦ Ensure the side rail bracket is fully hooked onto bolt **A** loosely threaded with both washers on the **OUTSIDE** of the bracket first, then proceed to fully tightening all 4 corners.

*Slats come packed in the bottom of headboard carton.

+ Hardware Included

A Bolt M8*30mm
(8pcs)



B M8*70mm
(34pcs)



E Flat Washer
Φ22 (34pcs)



F M8 Allen Key
(1pc)



I Nut M8*13mm
(30pcs)

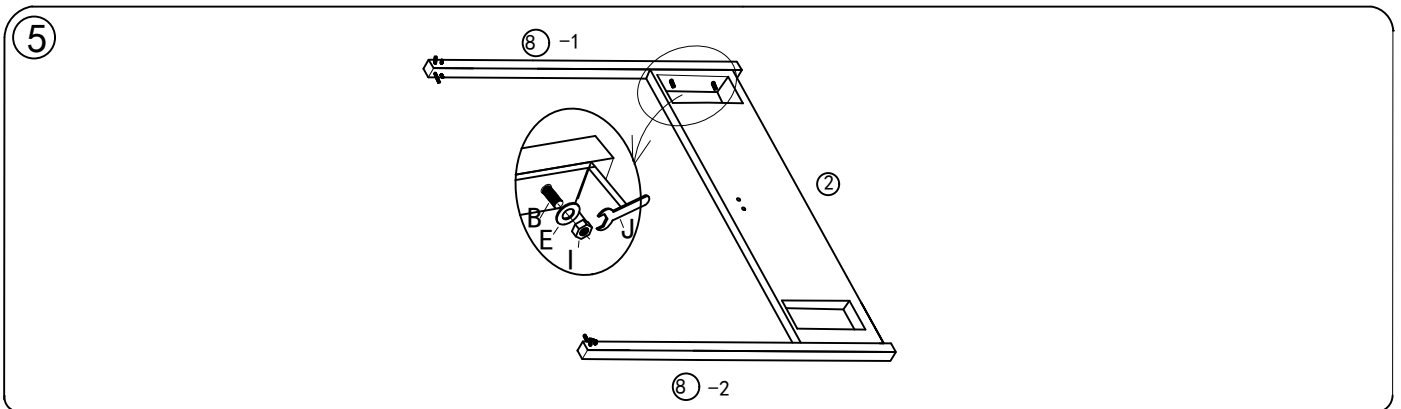
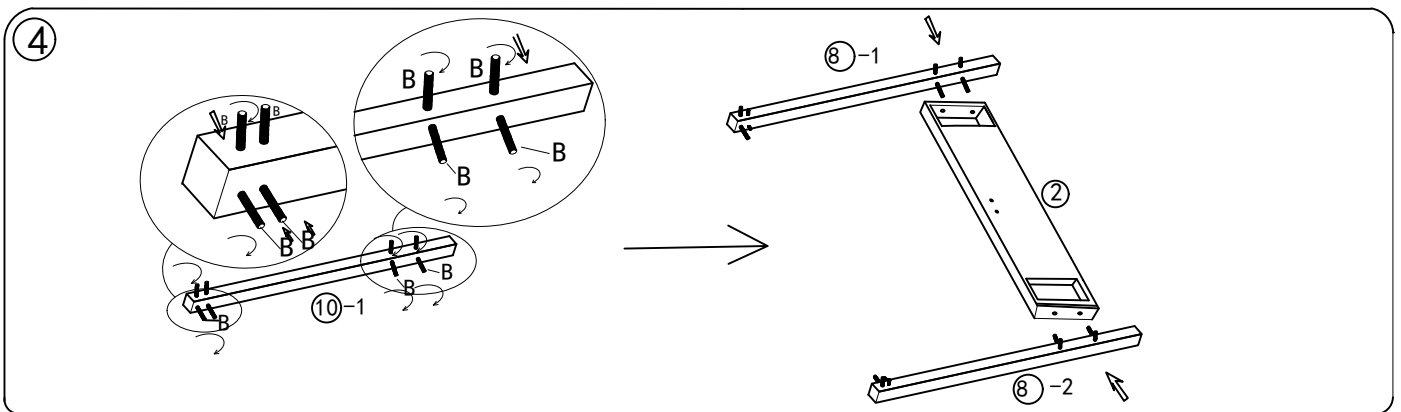
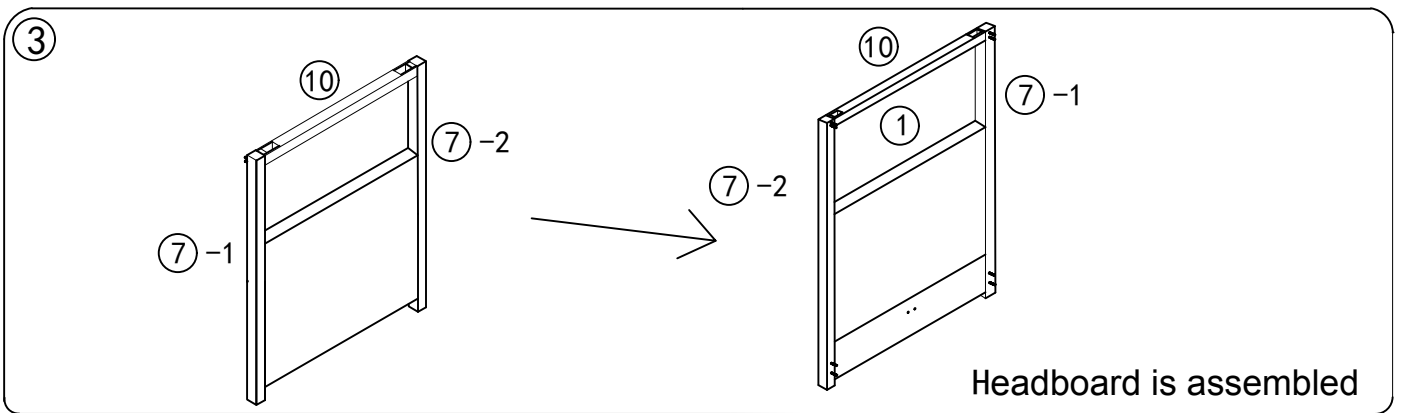
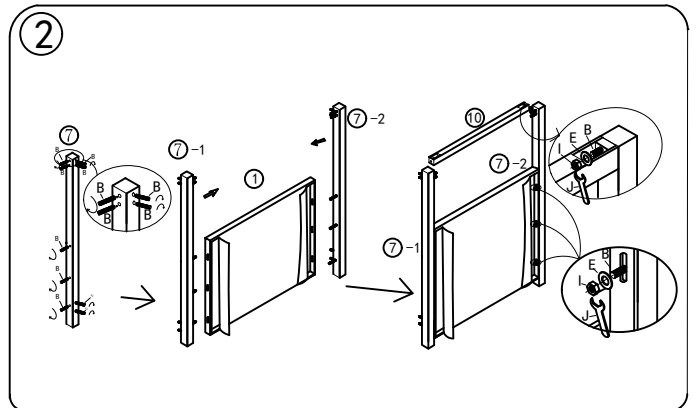
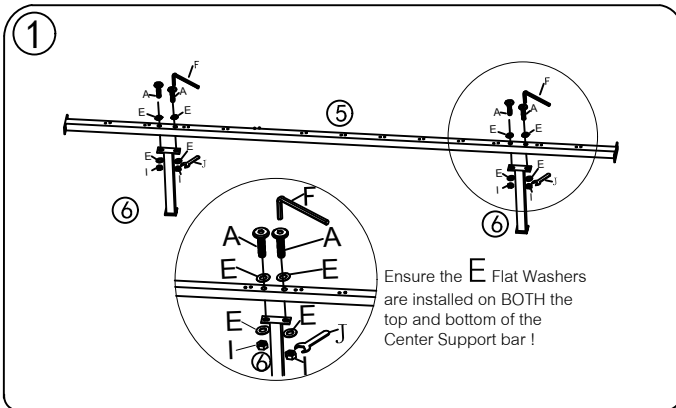


J Spanner
(1pc)



ASSEMBLY INSTRUCTIONS

BED - QUEEN



ASSEMBLY INSTRUCTIONS

BED - QUEEN

