

Sit and surf.

Laptop Desk

Oiled Wood
Soft White
Jamocho Wood

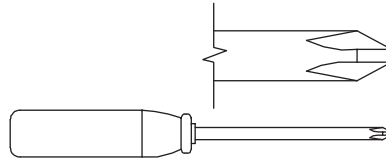
NOTE: THIS INSTRUCTION BOOKLET CONTAINS **IMPORTANT** SAFETY INFORMATION.

PLEASE READ AND KEEP FOR FUTURE REFERENCE.

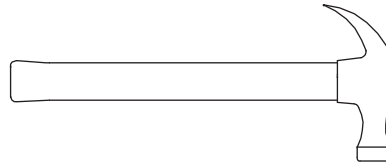
Table of Contents

Assembly Tools Required

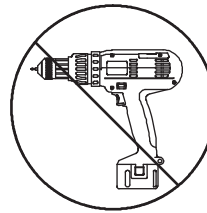
Part Identification	2-3
Hardware Identification	4-5
Assembly Steps	6-22
Français	23-25
Español	26-28
Safety	29-30
Warranty	31



No. 2 Phillips Screwdriver
Tip Shown Actual Size



Hammer
Not actual size 😊



Skip the power trip.
This time.

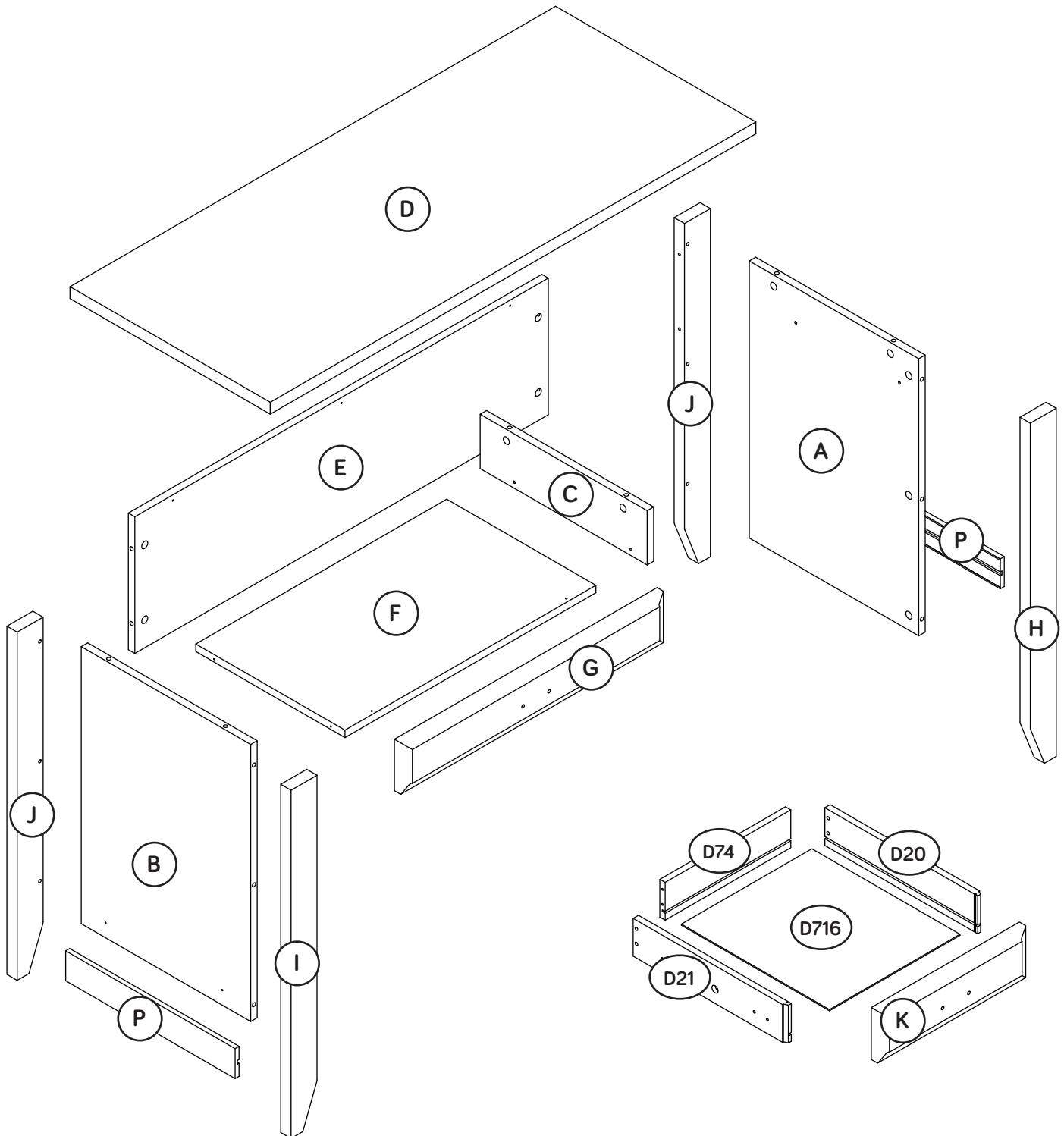
Part Identification

⚠ While not all parts are labeled, some of the parts will have a label or an inked letter on the edge to help distinguish similar parts from each other. Use this part identification to help identify similar parts.

A	RIGHT END (1)	G	KEYBOARD FRONT (1)	D20	RIGHT DRAWER SIDE (1)
B	LEFT END (1)	H	RIGHT FRONT LEG (1)	D21	LEFT DRAWER SIDE (1)
C	UPRIGHT (1)	I	LEFT FRONT LEG (1)	D74	DRAWER BACK (1)
D	TOP (1)	J	REAR LEG (2)	D716	DRAWER BOTTOM (1)
E	MODESTY PANEL (1)	K	DRAWER FRONT (1)		
F	KEYBOARD SHELF (1)	P	SIDE MOLDING (2)		

Part Identification

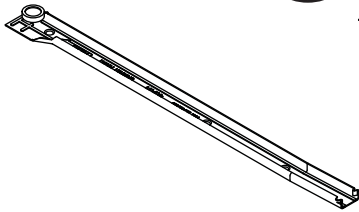
Now you know
our ABCs.



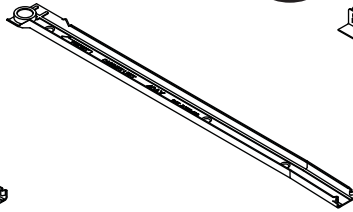
Hardware Identification

↑ Screws are shown actual size. You may receive extra hardware with your unit.

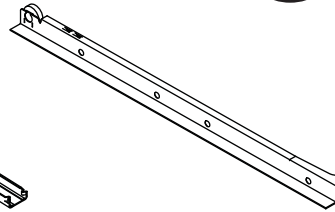
40AW CABINET RIGHT - 1



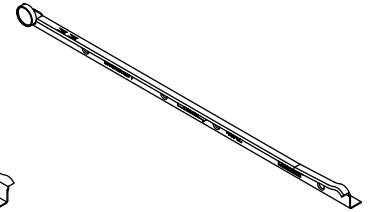
40AX CABINET LEFT - 1



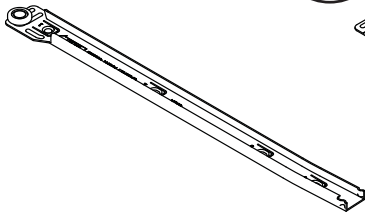
40AY DRAWER RIGHT - 1



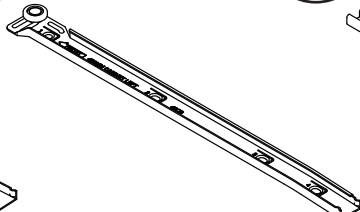
40AZ DRAWER LEFT - 1



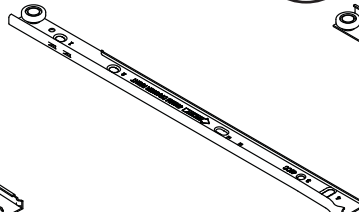
40CA CABINET RIGHT - 1



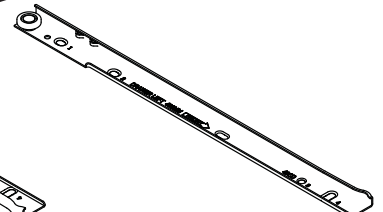
40CB CABINET LEFT - 1



40CC DRAWER RIGHT - 1



40CD DRAWER LEFT - 1



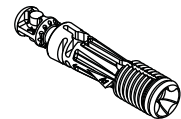
10A SLIDE CAM - 2



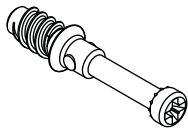
1F HIDDEN CAM - 16



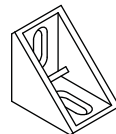
2F CAM DOWEL - 6



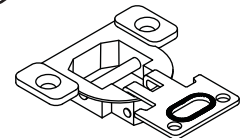
8F CAM SCREW - 10



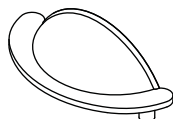
5G ANGLE BRACKET - 3



12H HINGE - 2



27K PULL - 2



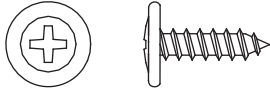
13P CAM COVER - 7



Hardware Identification

† Screws are shown actual size. You may receive extra hardware with your unit.

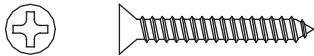
1S BLACK 9/16" LARGE HEAD SCREW - 6



3S GOLD 5/16" FLAT HEAD SCREW - 12



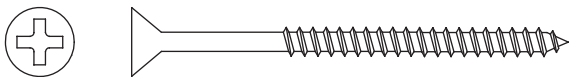
18S BROWN 1" FLAT HEAD SCREW - 4



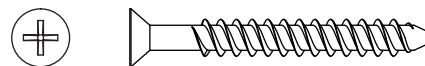
23S SILVER 5/8" FLAT HEAD SCREW - 4



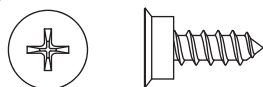
26S BLACK 2-1/4" FLAT HEAD SCREW - 6



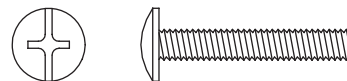
30S BLACK 1-9/16" FLAT HEAD SCREW - 4



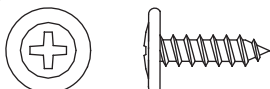
32S BLACK 9/16" FLAT HEAD SCREW - 4



50S GOLD 1" MACHINE SCREW - 4



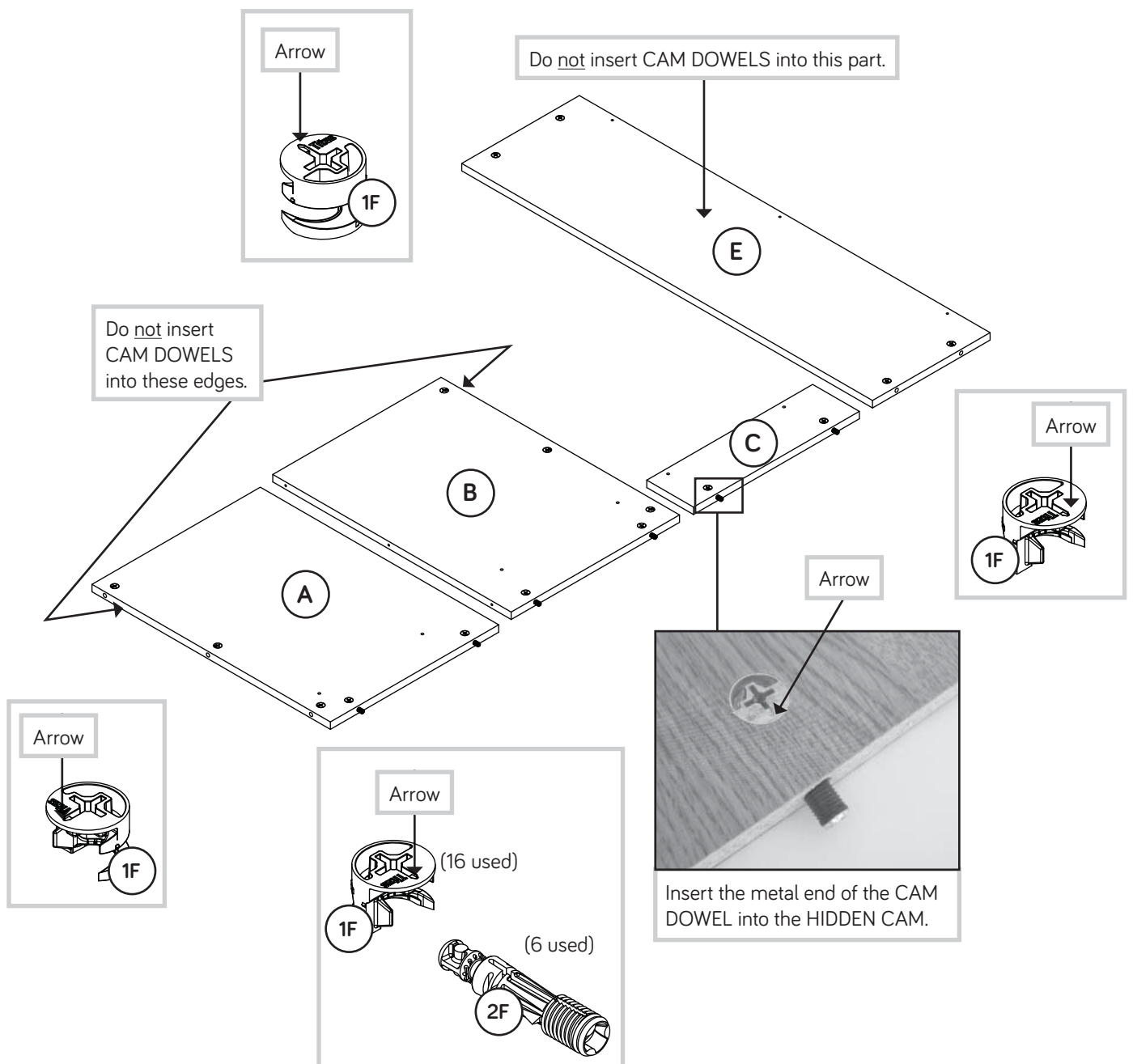
54S SILVER 9/16" LARGE HEAD SCREW - 2



Step 1

- ✚ Assemble your unit on a carpeted floor or on the empty carton to avoid scratching your unit or the floor.
- ✚ Push sixteen HIDDEN CAMS (1F) into the ENDS (A and B), UPRIGHT (C), and MODESTY PANEL (E). Then, insert the metal end of six CAM DOWELS (2F) into the HIDDEN CAMS in the ENDS (A and B) and UPRIGHT (C).

Do not tighten the HIDDEN CAMS in this step.



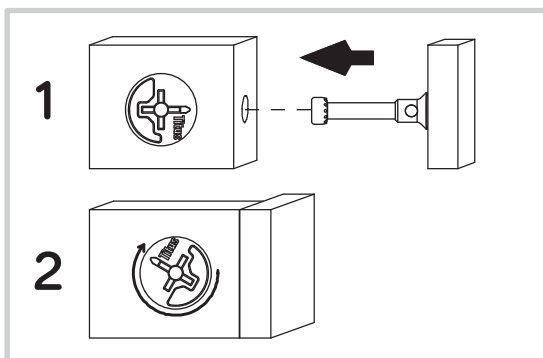
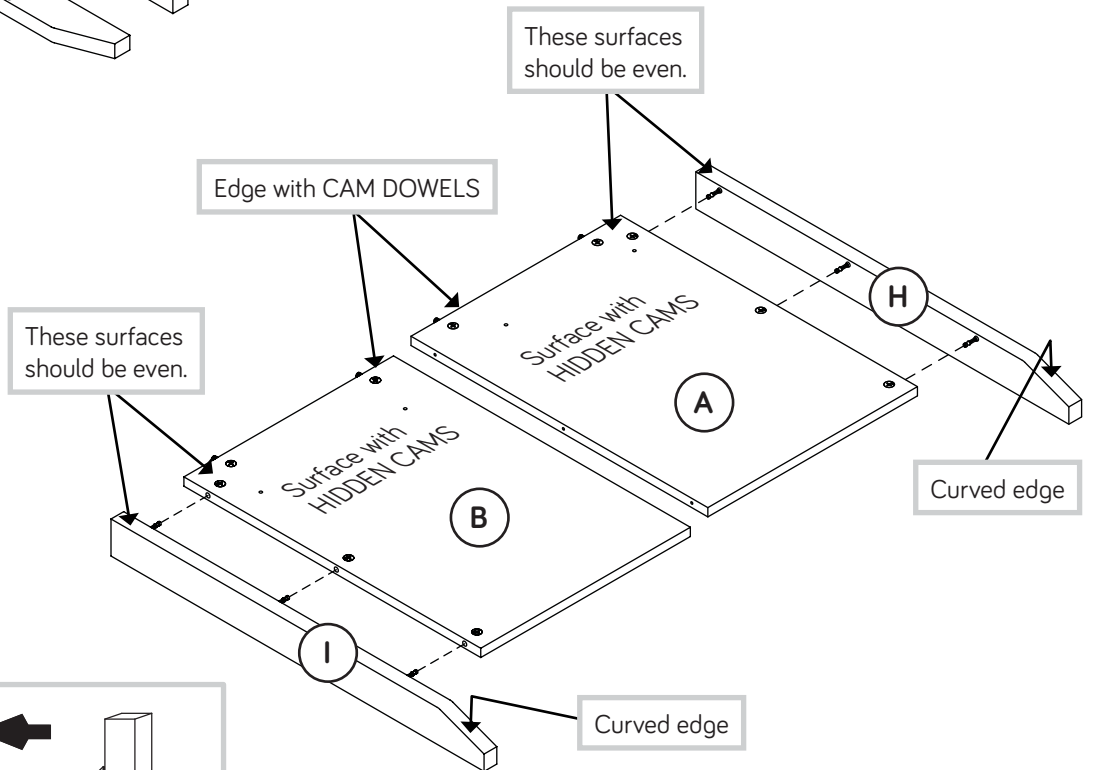
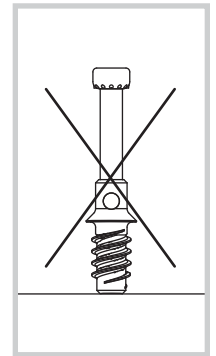
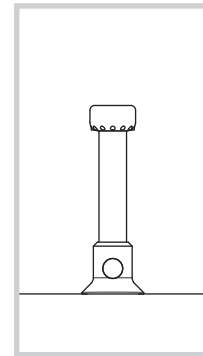
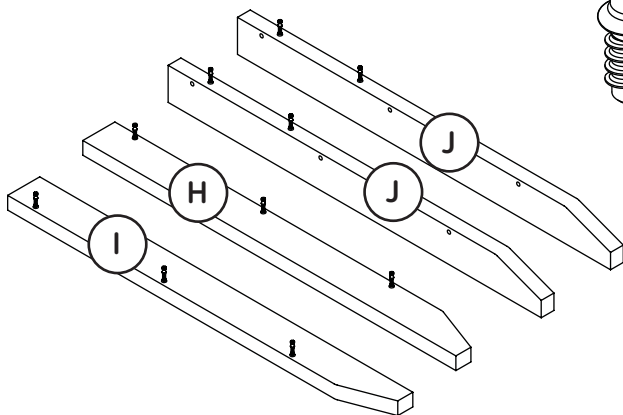
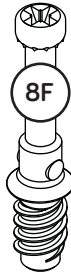
Step 2

- Turn ten CAM SCREWS (8F) into the LEGS (H, I, and J).
- Fasten the FRONT LEGS (H and I) to the ENDS (A and B).
Tighten six HIDDEN CAMS.



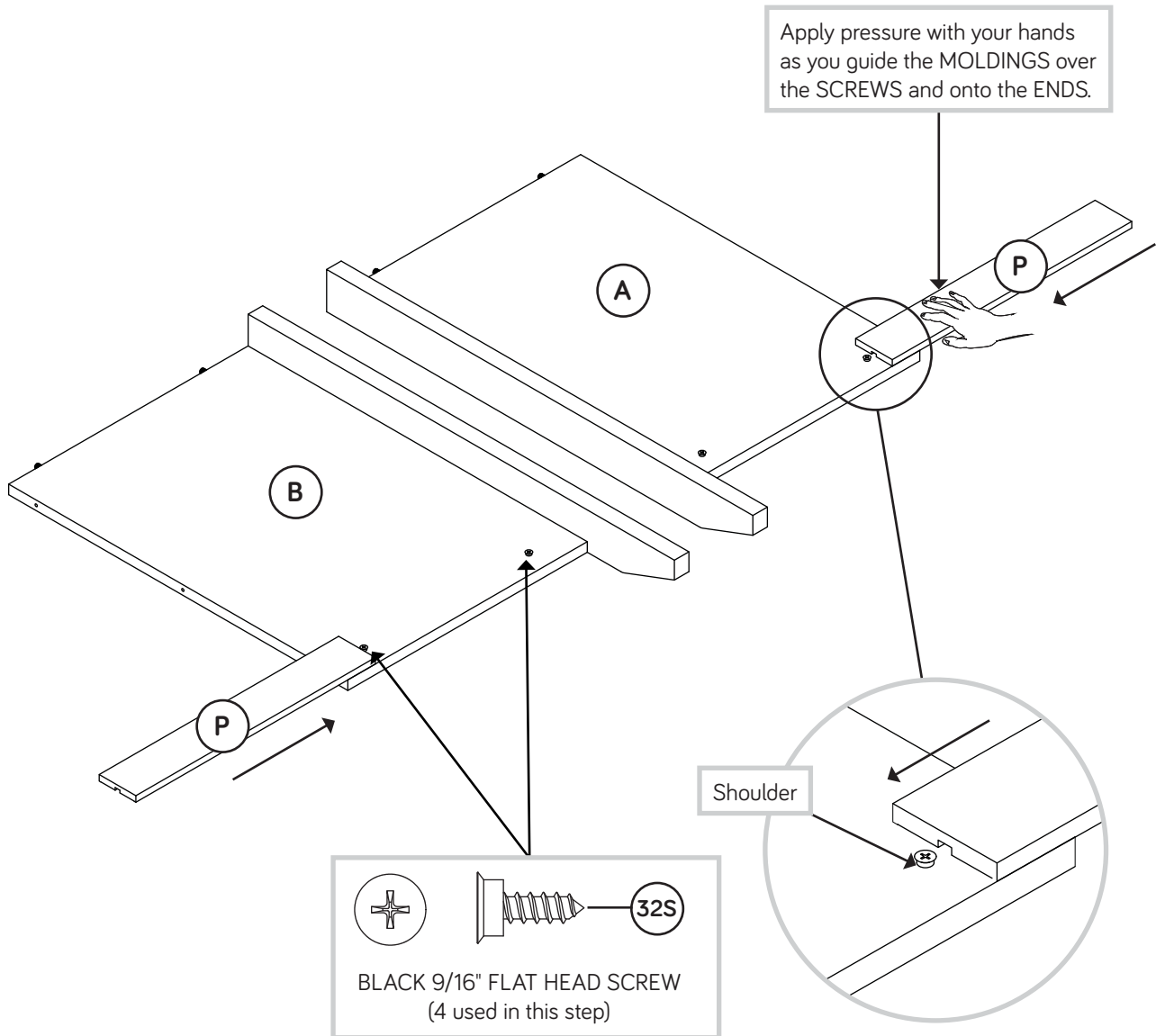
Remember:
Righty tighty.
Lefty loosey.

(10 used)



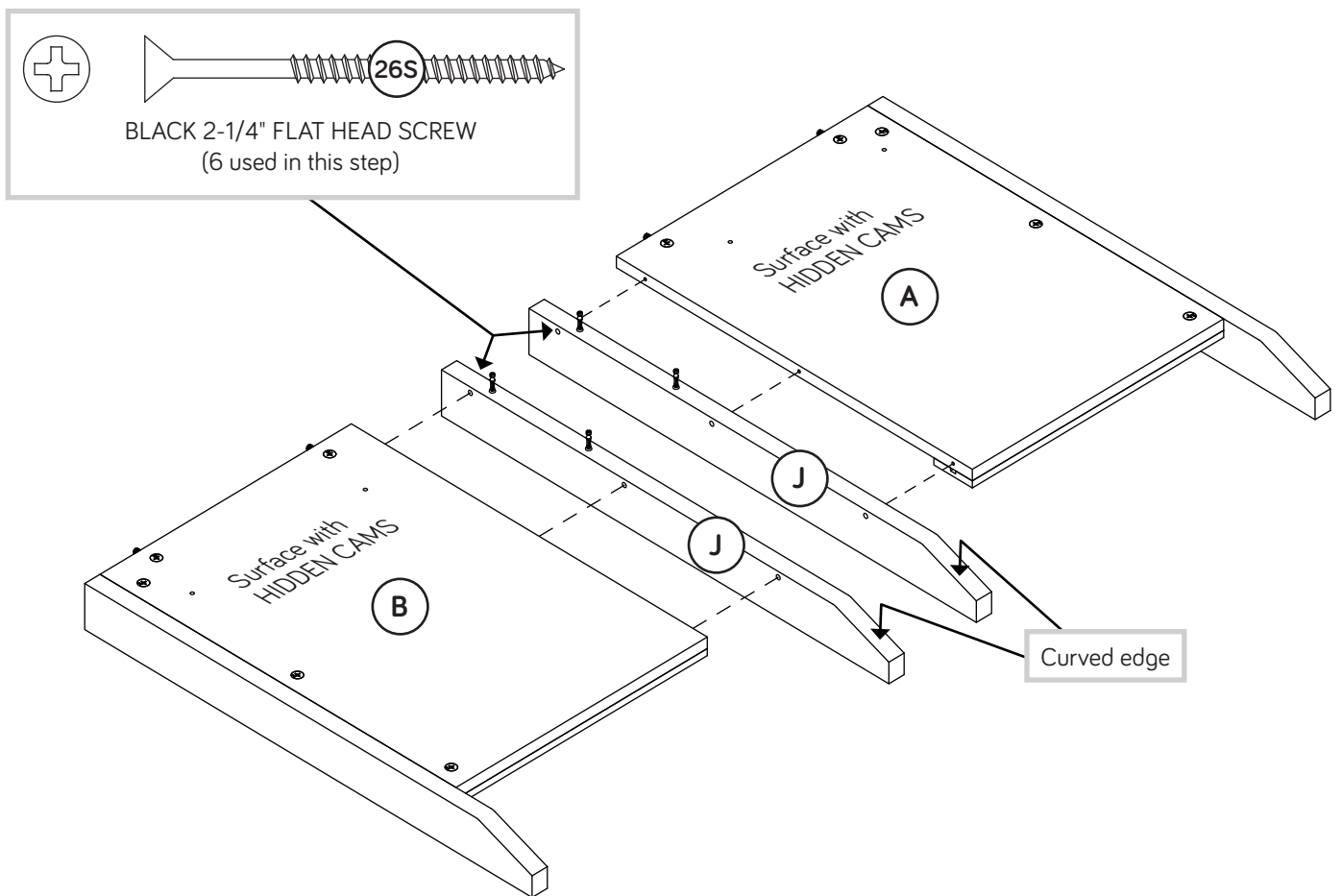
Step 3

- Turn four BLACK 9/16" FLAT HEAD SCREWS (32S) into the other surfaces of the ENDS (A and B) until the shoulders of the SCREWS rest on the surfaces of the ENDS.
- Slide the SIDE MOLDINGS (P) onto the ENDS (A and B). Line up the grooves in the MOLDINGS over the heads of the SCREWS in the ENDS.



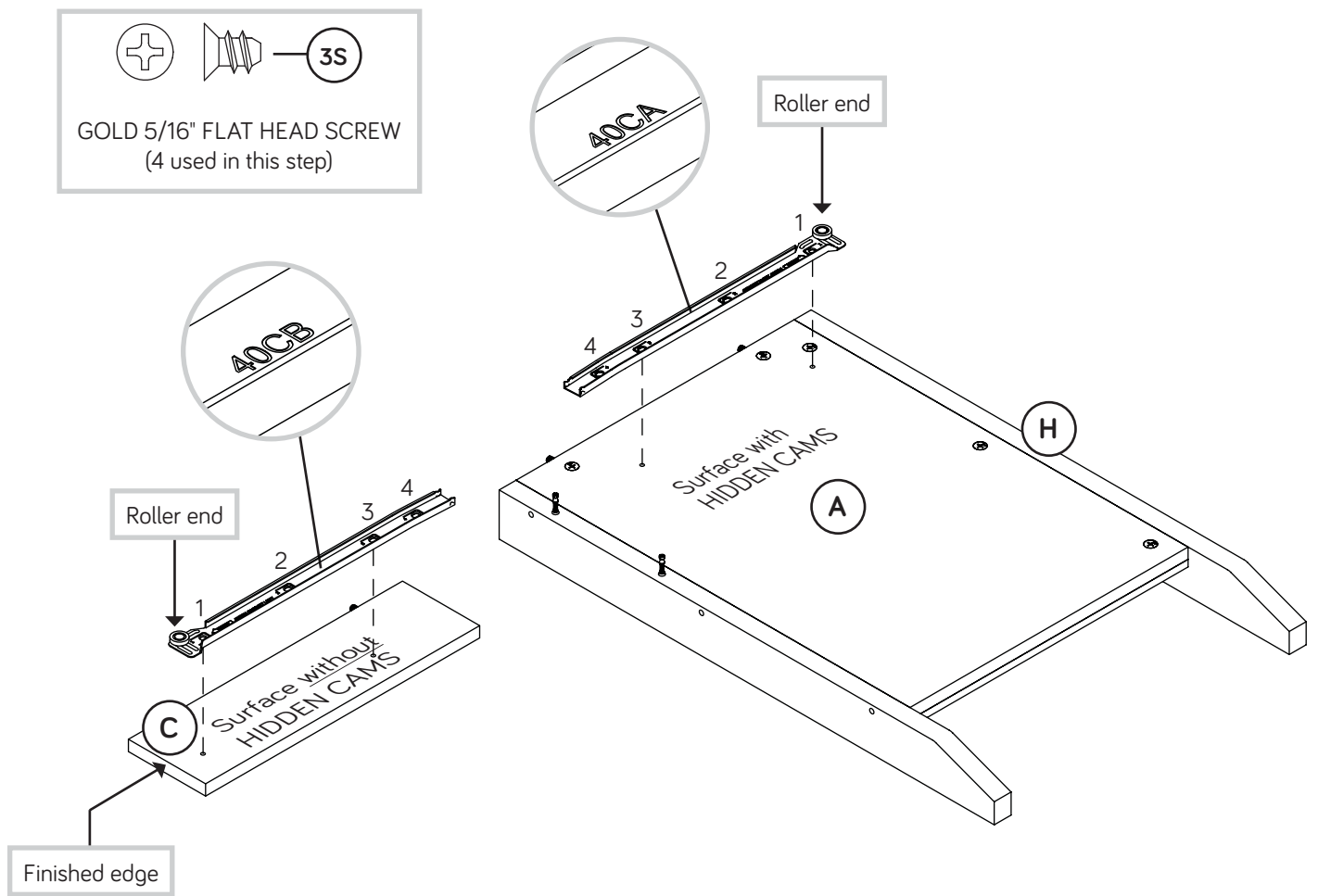
Step 4

- Turn the ENDS (A and B) over and fasten the REAR LEGS (J) to the ENDS. Use six BLACK 2-1/4" FLAT HEAD SCREWS (26S).



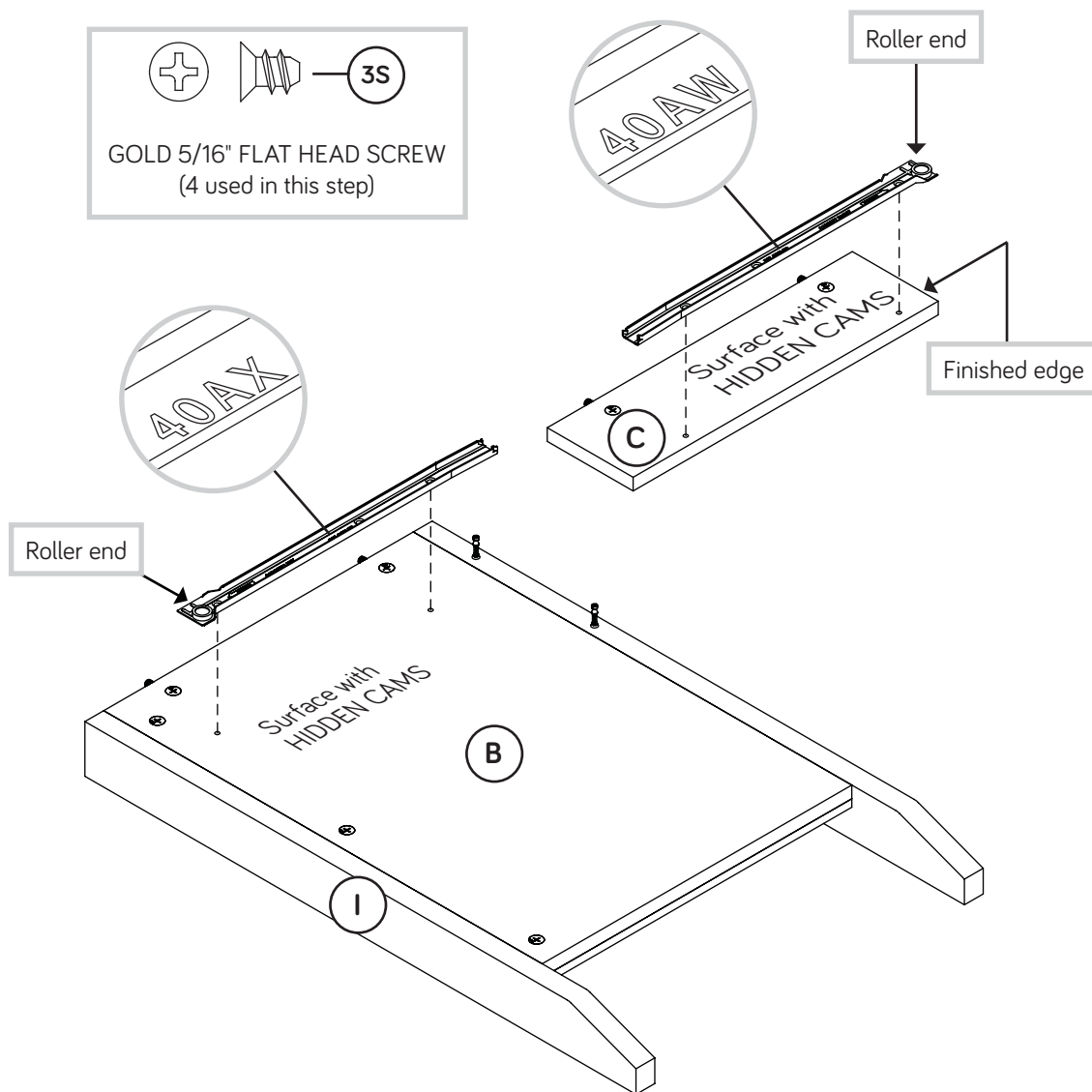
Step 5

- Fasten the CABINET RIGHT (40CA) to the RIGHT END (A) and CABINET LEFT (40CB) to the UPRIGHT (C). Use four GOLD 5/16" FLAT HEAD SCREWS (3S) through holes #1 and #3.



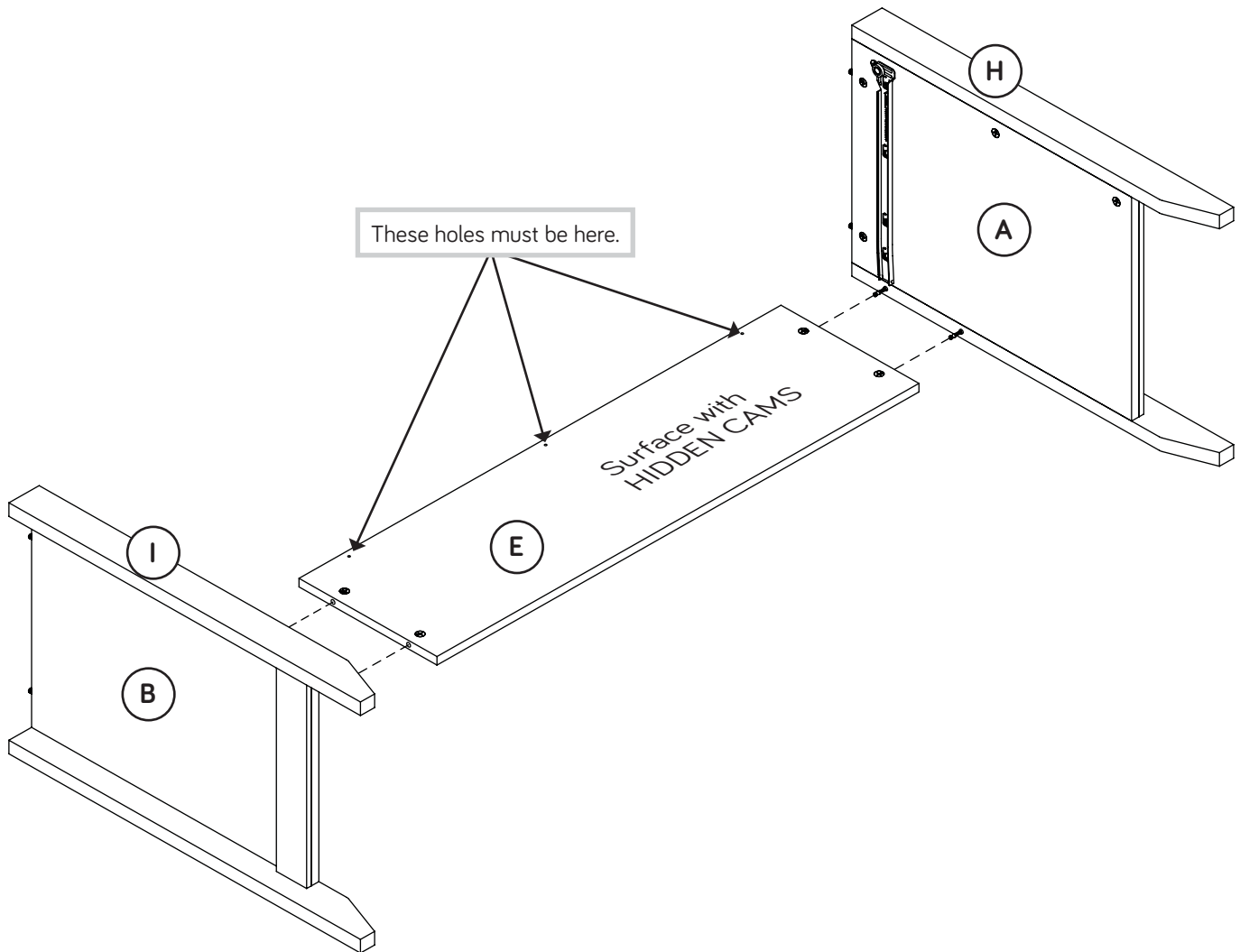
Step 6

- Fasten the CABINET LEFT (40AX) to the LEFT END (B) and the CABINET RIGHT (40AW) to the other surface of the UPRIGHT (C). Use four GOLD 5/16" FLAT HEAD SCREWS (3S).
- NOTE:** The CABINET RAILS are marked "CABINET RIGHT" and "CABINET LEFT" for easy identification.



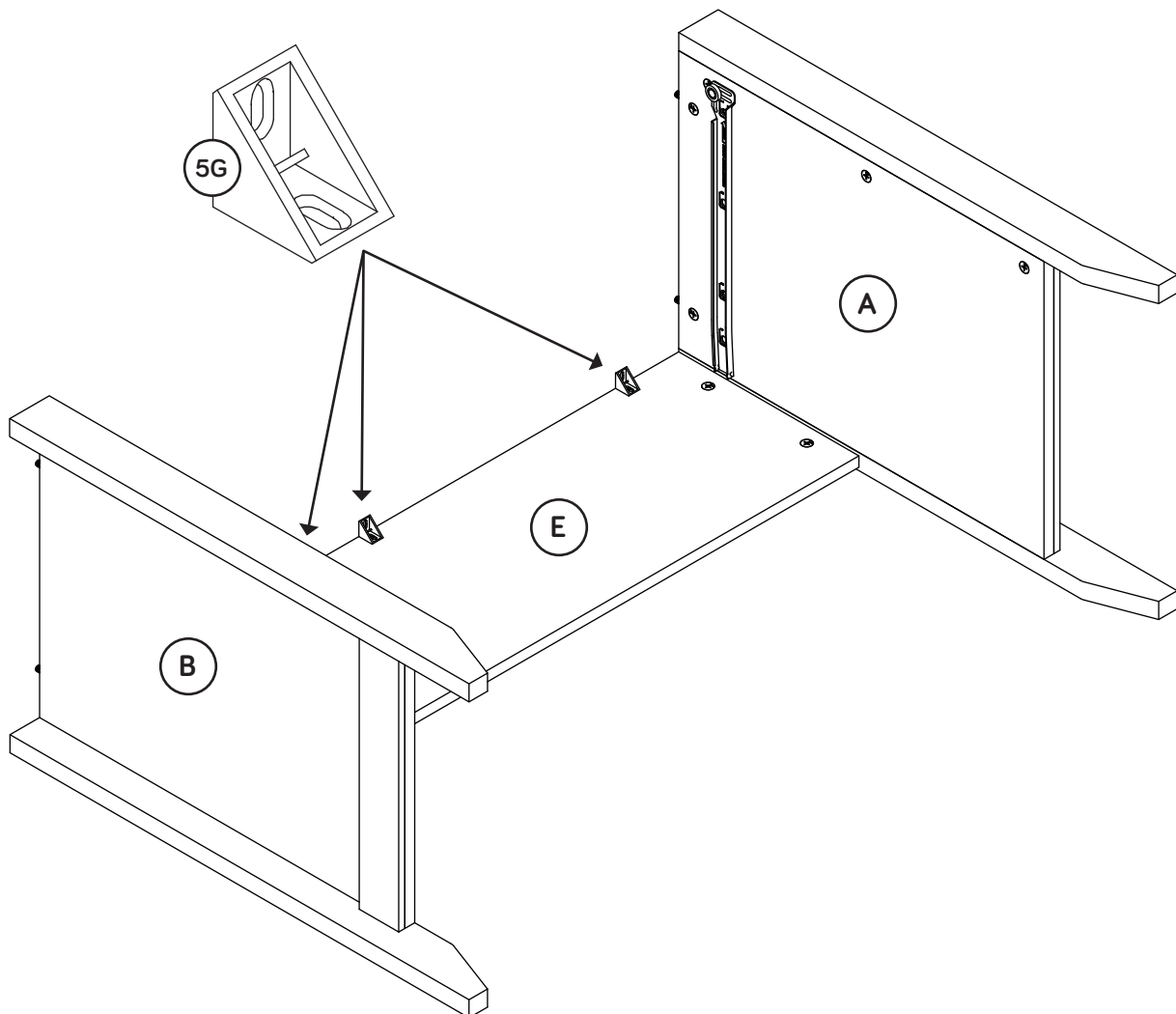
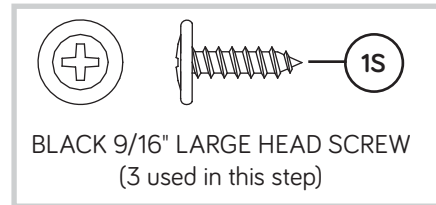
Step 7

- Fasten the MODESTY PANEL (E) to the ENDS (A and B).
Tighten four HIDDEN CAMS.



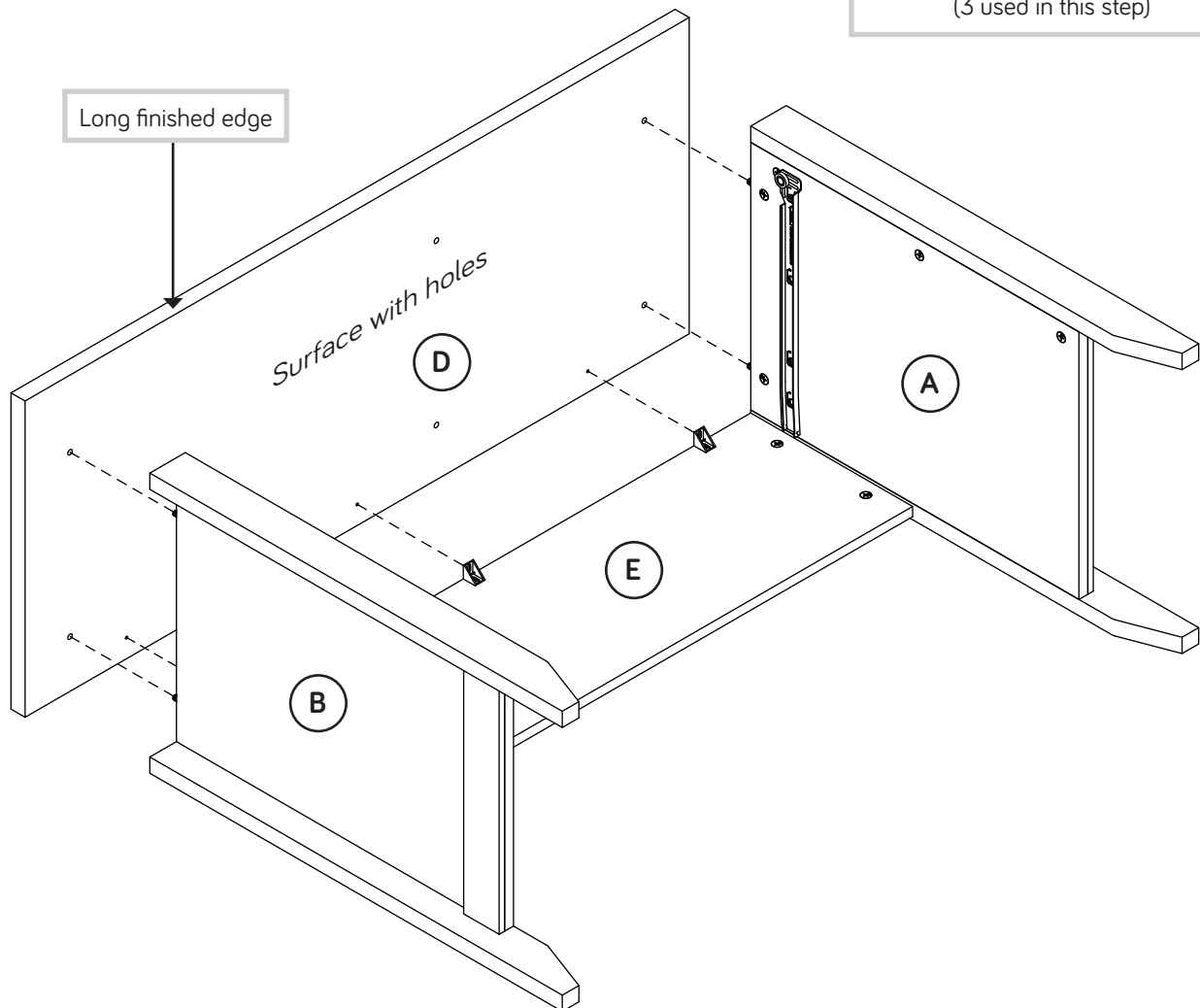
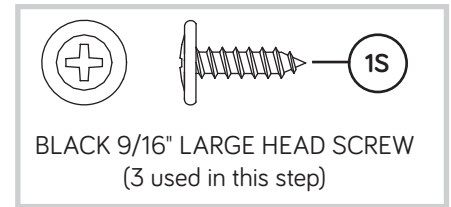
Step 8

- Fasten three ANGLE BRACKETS (5G) to the MODESTY PANEL (E). Use three BLACK 9/16" LARGE HEAD SCREWS (1S).
- NOTE:** Be sure the edges of the ANGLE BRACKETS are even with the edge of the MODESTY PANEL.



Step 9

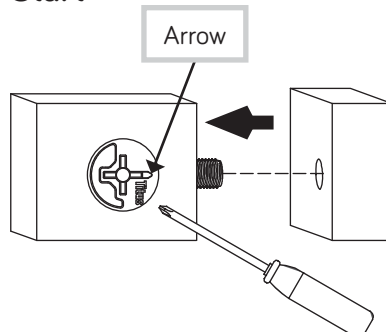
- Fasten the ENDS (A and B) to the TOP (D). Tighten four HIDDEN CAMS.
- Then, fasten the MODESTY PANEL (E) to the TOP (D). Use three BLACK 9/16" LARGE HEAD SCREWS (1S).



⚠ Caution

Risk of damage or injury. HIDDEN CAMS must be completely tightened. HIDDEN CAMS that are not completely tightened may loosen, and parts may separate. To completely tighten:

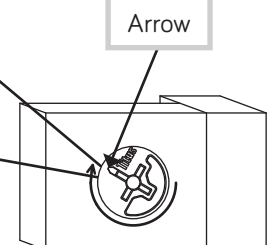
Start



Tighten

Maximum 210 degrees

Minimum 190 degrees

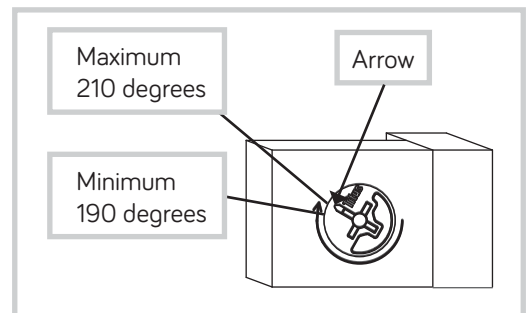
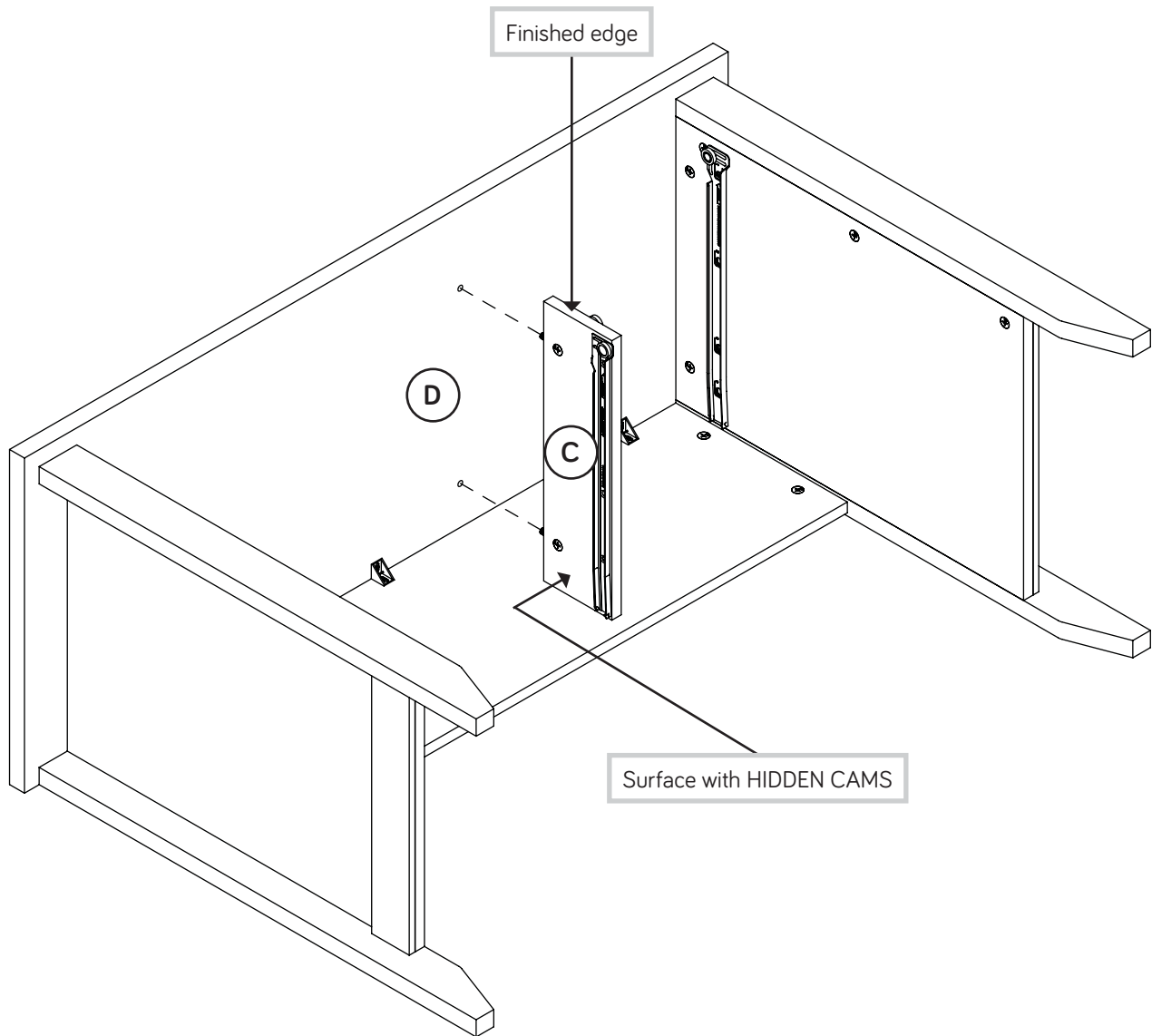


Step 10

Fasten the UPRIGHT (C) to the TOP (D). Tighten two HIDDEN CAMS.

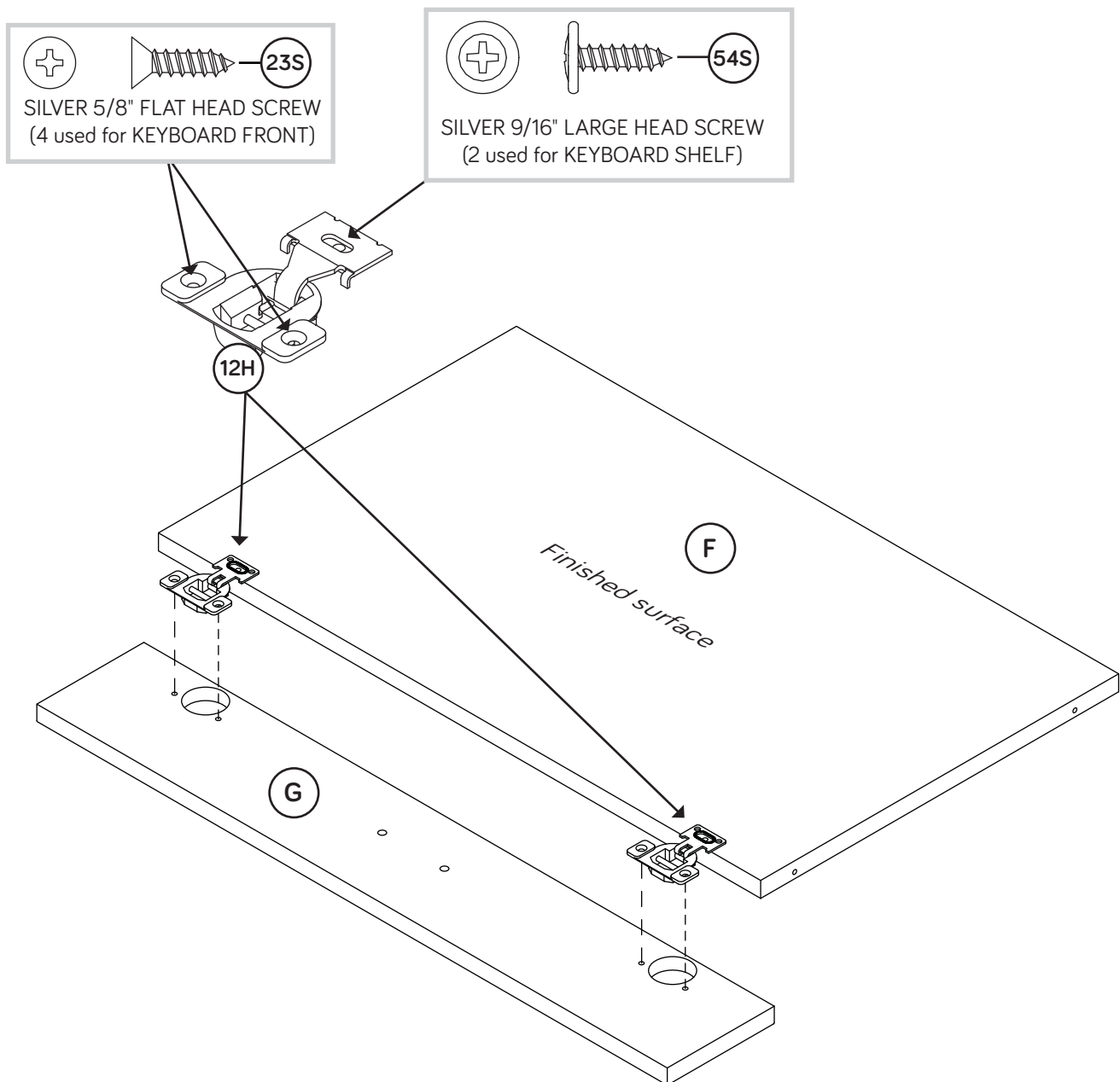
Zzz

Almost time to celebrate! With a nap.



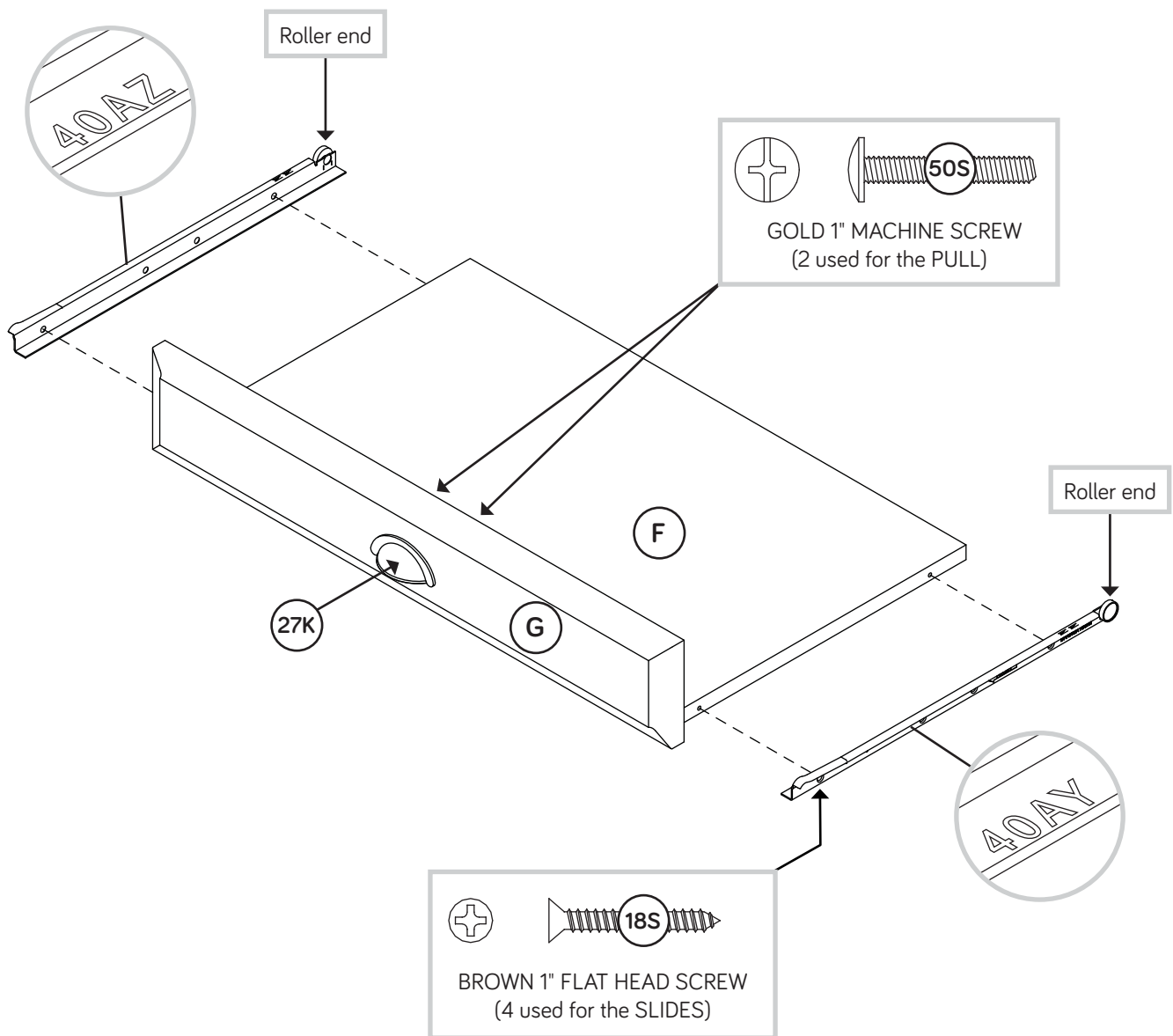
Step 11

- Fasten the HINGES (12H) to the KEYBOARD FRONT (G). Use four SILVER 5/8" FLAT HEAD SCREWS (23S).
- Fasten the KEYBOARD HINGES (12H) to the KEYBOARD SHELF (F). Use two SILVER 9/16" LARGE HEAD SCREWS (54S).



Step 12

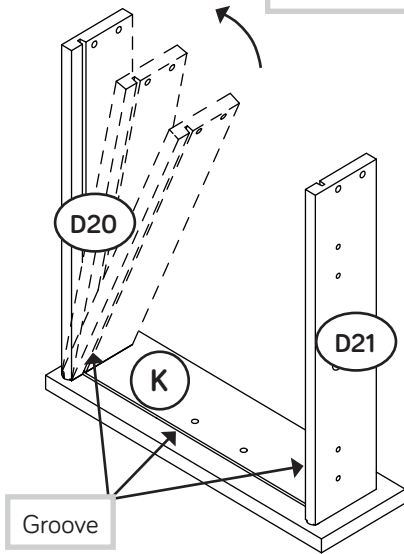
- Fasten the DRAWER RIGHT (40AY) and the DRAWER LEFT (40AZ) to the KEYBOARD SHELF (F). Use four BROWN 1" FLAT HEAD SCREWS (18S).
- NOTE:** The DRAWER SLIDES are marked "DRAWER RIGHT" and "DRAWER LEFT" for easy identification.
- Fasten a PULL (27K) to the KEYBOARD FRONT (G). Use two GOLD 1" MACHINE SCREWS (50S).



Step 13

1

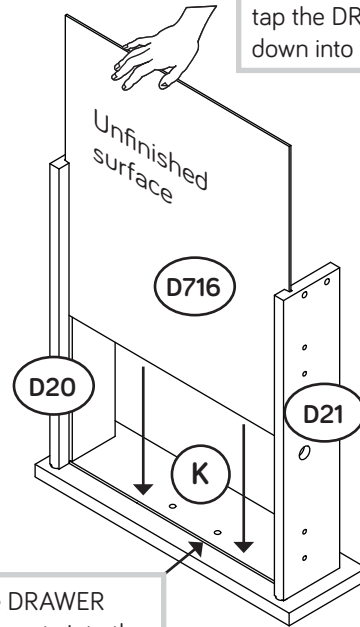
The tabs should insert freely into the slots. Gently tilt the DRAWER SIDES side to side until the tabs slip into the slots.



- ✚ Insert the DRAWER SIDES (D20 and D21) at an angle into the slot at each end of the DRAWER FRONT (K).

2

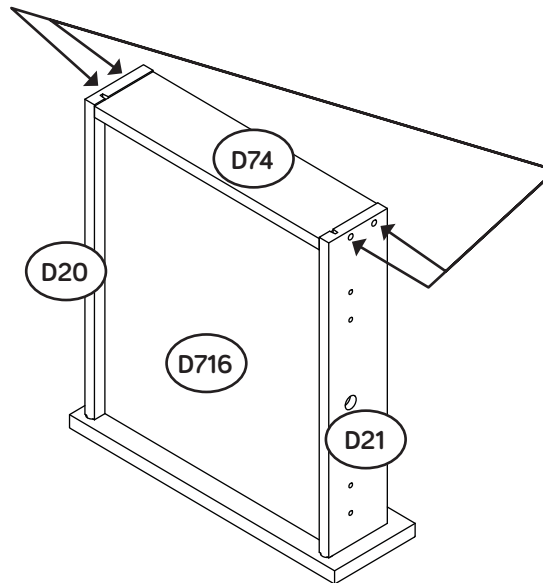
With the palm of your hand, tap the DRAWER BOTTOM down into the groove.



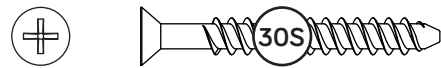
Be sure the DRAWER BOTTOM inserts into the DRAWER FRONT groove.

- ✚ Slide the DRAWER BOTTOM (D716) into the grooves in the DRAWER SIDES (D20 and D21) and DRAWER FRONT (K).

3



Start each screw a few turns before completely tightening any of them.

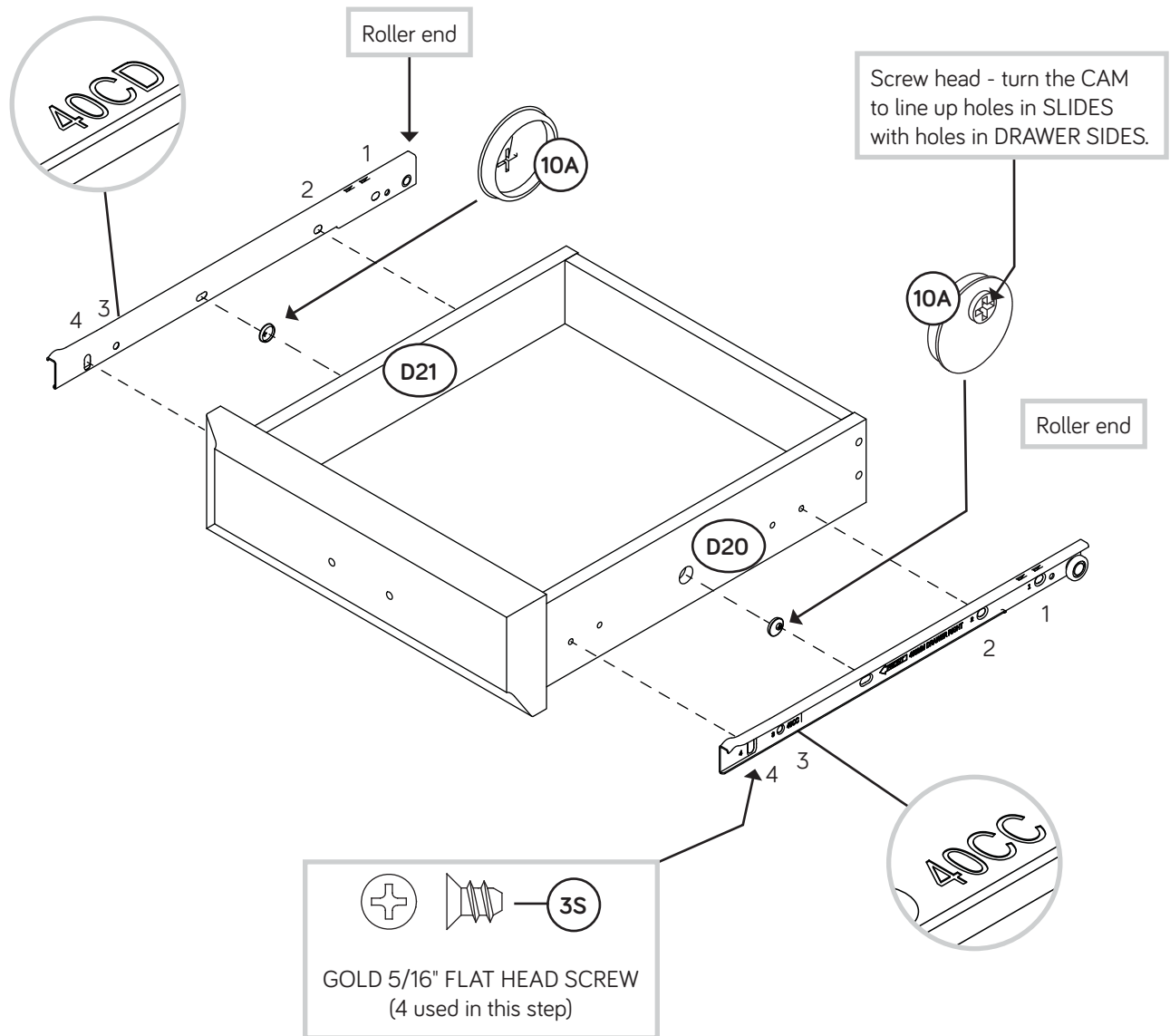


BLACK 1-9/16" FLAT HEAD SCREW
(4 used in this step)

- ✚ Fasten the DRAWER BACK (D74) to the DRAWER SIDES (D20 and D21). Use four BLACK 1-9/16" FLAT HEAD SCREWS (30S).
- ✚ **NOTE:** Be sure the DRAWER BOTTOM (D716) inserts into the groove of the DRAWER BACK (D74).

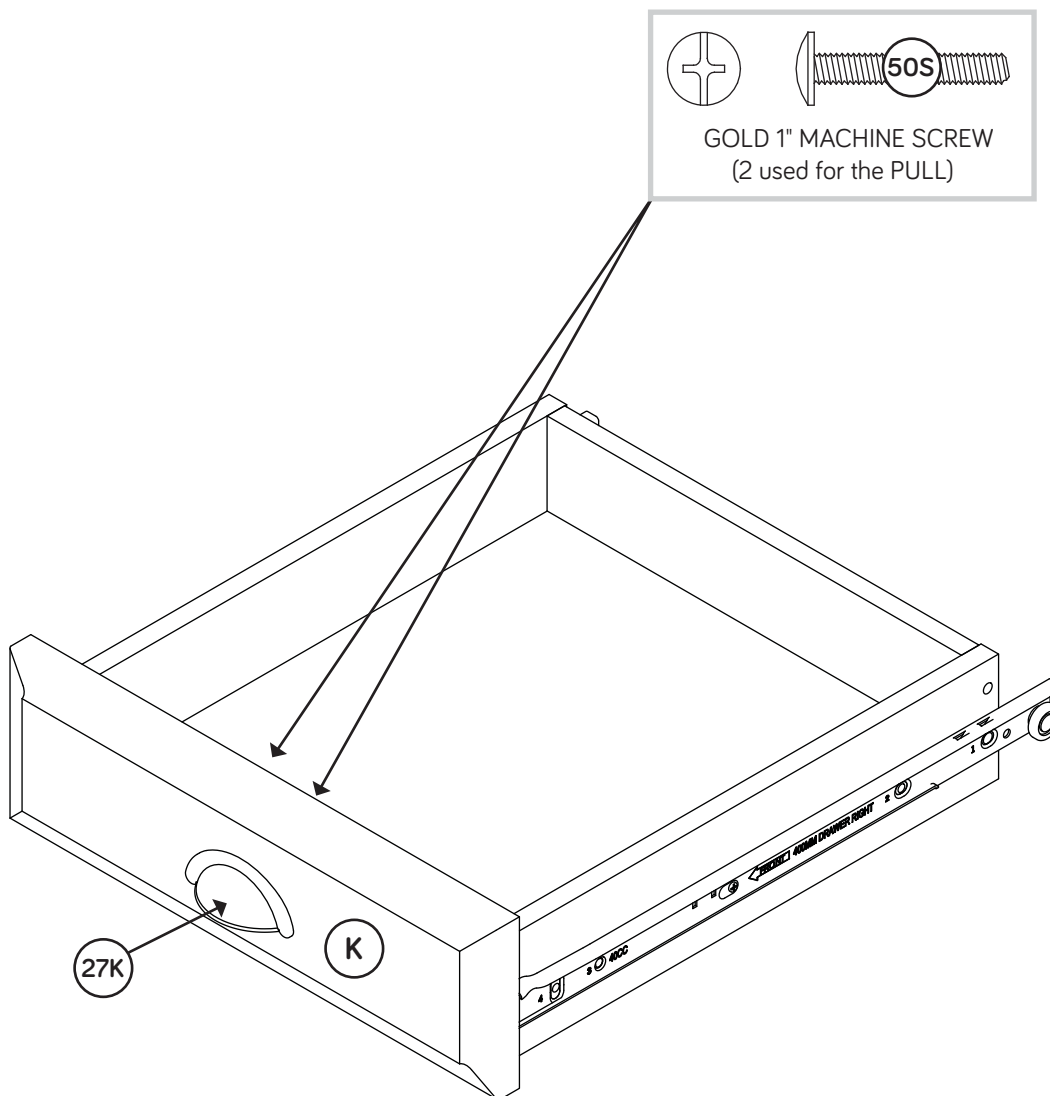
Step 14

- ✚ Insert a SLIDE CAM (10A) into the DRAWER SIDES (D20 and D21).
- ✚ Fasten the DRAWER RIGHT (40CC) and DRAWER LEFT (40CD) to the DRAWER SIDES (D20 and D21). Use four GOLD 5/16" FLAT HEAD SCREWS (3S) through holes #2 and #4.
- ✚ **NOTE:** The screw head in the CAM must be visible through the slotted hole in the SLIDE.



Step 15

- Fasten a PULL (27K) to the DRAWER FRONT (K). Use two GOLD 1" MACHINE SCREWS (50S).

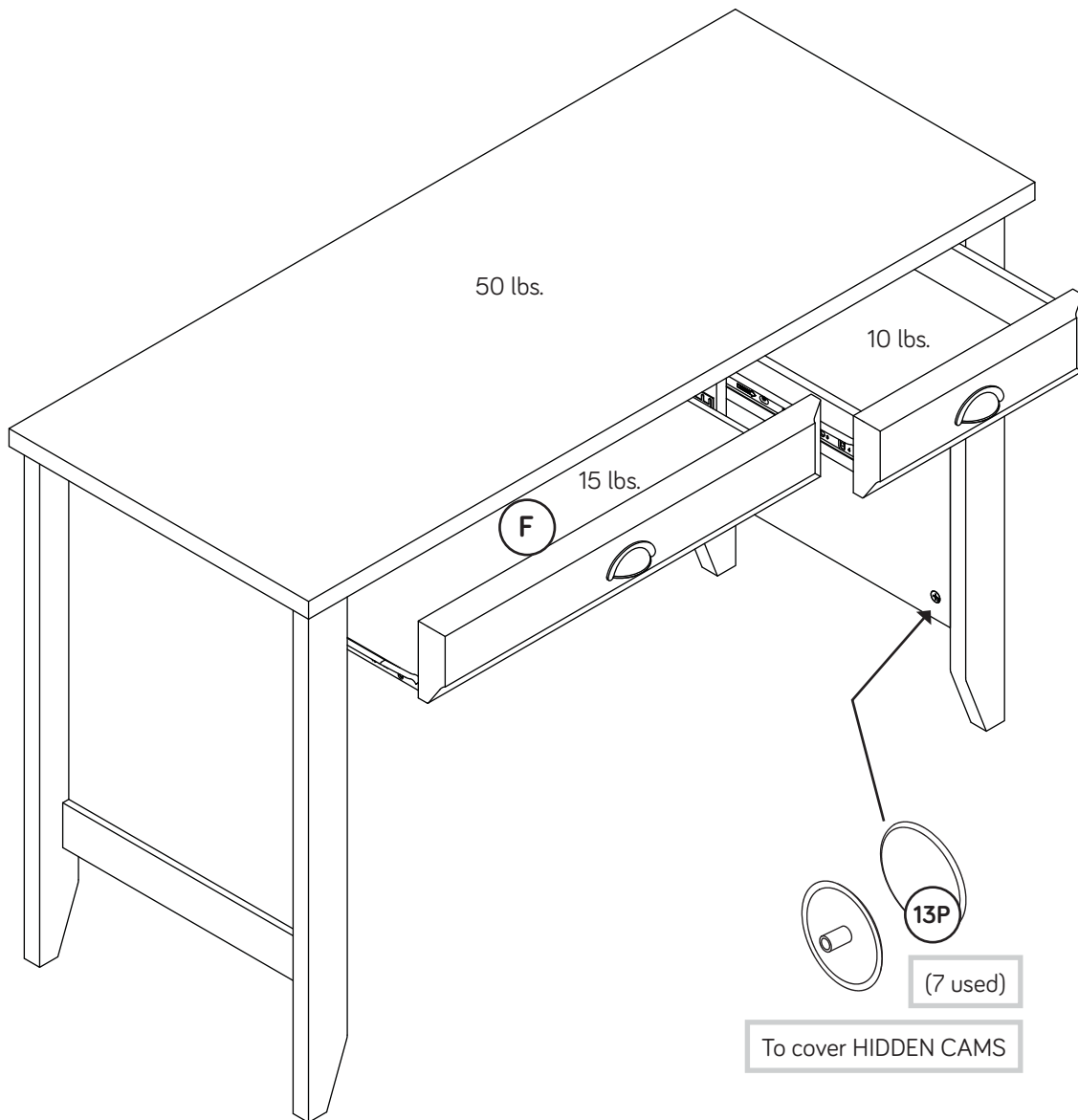


Step 16

- ✚ Carefully stand your unit upright.
- ✚ To insert the drawer into your unit, tip the front of the drawer down and drop the rollers on the drawer behind the rollers on the unit. Lift the front of the drawer up and slide it into the unit.
- ✚ Repeat this step to insert the KEYBOARD SHELF (F).
- ✚ Push a CAM COVER (13P) onto each visible HIDDEN CAM.

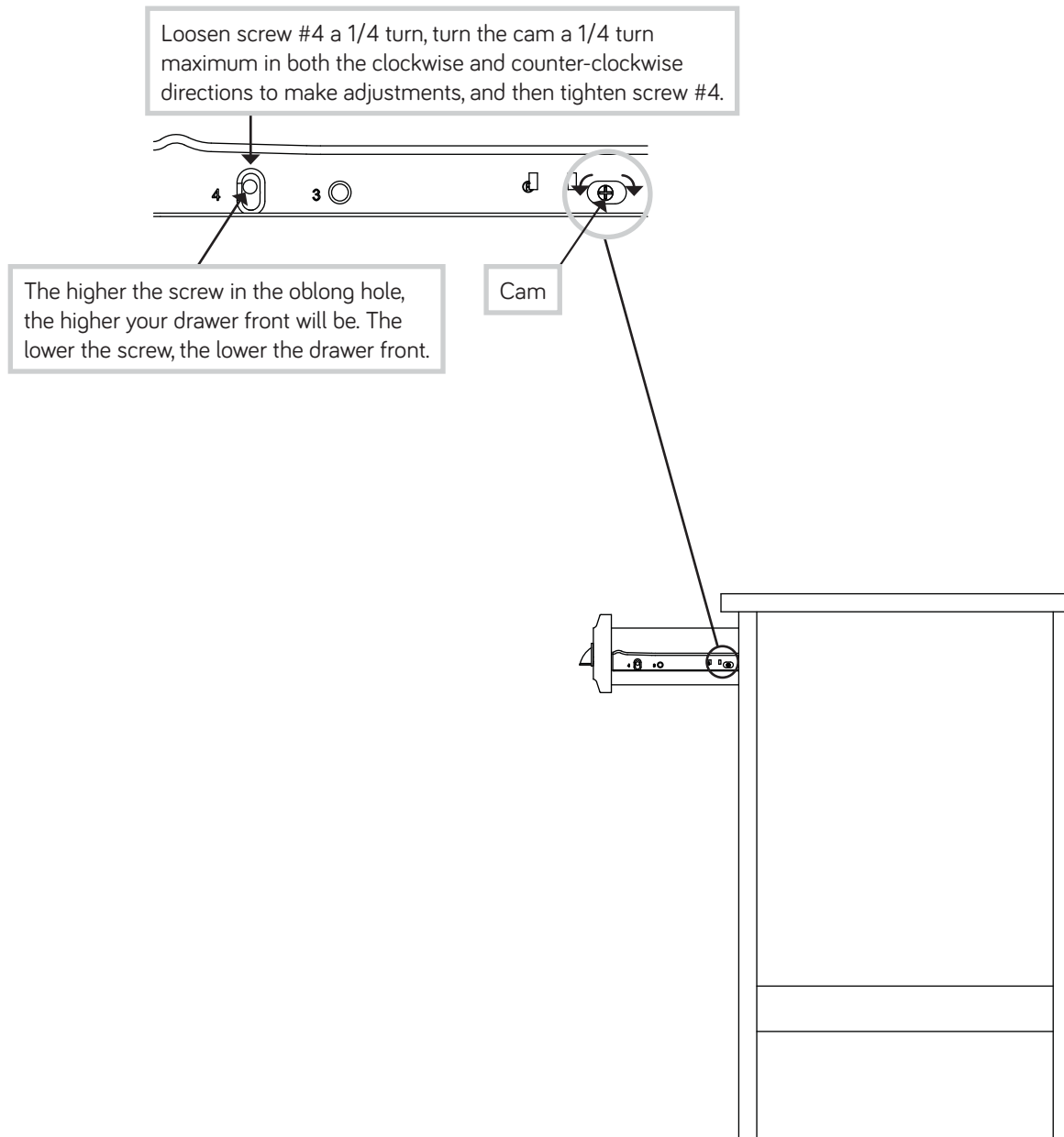


Pro Tip: Lift with your legs. And, you know, your arms.



Step 17

- ✚ To make adjustments to the drawer, loosen SCREW #4 in the SLIDES a 1/4 turn, then turn the CAM clockwise or counter-clockwise. Notice how the drawer raises or lowers as you turn the CAM. The higher the screw in the oblong hole, the higher your drawer front will be. The lower the screw, the lower the drawer front. By adjusting the drawer this way, it will help the DRAWER FRONT line up better when closed. Tighten the SCREW when finished with adjustments.
- ✚ NOTE: Please read the back pages of the instruction booklet for important safety information.
- ✚ This completes assembly. Clean with your favorite furniture polish or a damp cloth. Wipe dry.



⚠ WARNING

Please use your furniture correctly and safely. Improper use can cause safety hazards, or damage to your furniture or household items. **Carefully read the following chart.**

Look out for:	What can happen:	How to avoid the problem:
<ul style="list-style-type: none">• Overloaded shelves and drawers.• Improper loading can cause the product to be top-heavy.	<ul style="list-style-type: none">• Risk of injury.• Top-heavy furniture can tip over.• Overloaded shelves and drawers can break.	<ul style="list-style-type: none">• Never exceed the weight limits shown in the instructions.• Work from bottom to top when loading shelves and drawers. Place the heavier items on the lower shelves or in lower drawers.
<ul style="list-style-type: none">• Improperly moving furniture that is not designed and equipped with casters.	<ul style="list-style-type: none">• Furniture can tip over or break if improperly moved.• Physical injury. Furniture can be very heavy.• Breakage of tops - particularly with double pedestal furniture (drawers at both ends).	<ul style="list-style-type: none">• Unload shelves and drawers from top to bottom before moving the unit.• Do not push furniture, especially on a carpeted floor. Have a friend help you lift the item and set it in place.• Provide support to the center section of the top when lifting the furniture.
<ul style="list-style-type: none">• Placing TVs on furniture items that are not designed to support a television is hazardous.	<ul style="list-style-type: none">• Risk of injury or death. TVs can be very heavy. Plus the weight and location of the picture tube tends to make TVs unbalanced and prone to tipping forward.	<ul style="list-style-type: none">• This product is not designed to support a television.