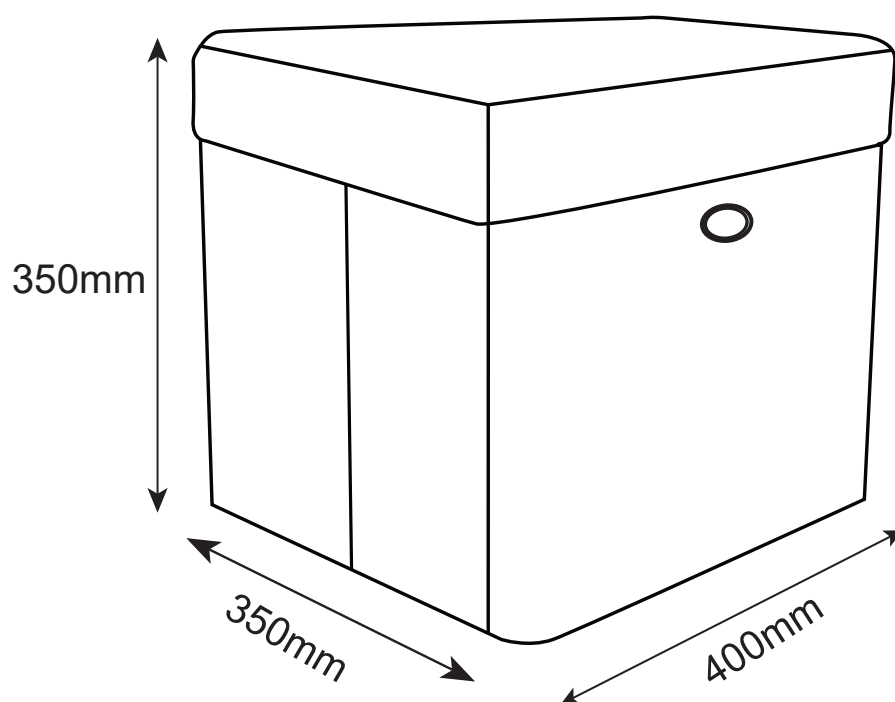


Assembly Instructions

Ottoman

520859



IMPORTANT ! READ CAREFULLY AND KEEP FOR FUTURE REFERENCE

Recommended for ages from 5~12 years

Assembly to be carried out by a competent adult only.

During assembly children should be kept away from the product due to possible risk of injury

Assemble the furniture on a soft level surface to avoid damaging the furniture.

We recommend furniture be assembled near where they will be placed, to avoid moving the product unnecessarily once assembled.

WARNING DO NOT place this product near a window as it can be used as a step by the child and cause the child to fall out of the window.

WARNING DO NOT place this product near a window where cords from blinds or curtains could strangle a child

WARNING Be aware of the risk of open fires and other sources of strong heat in the vicinity of the product

WARNING DO NOT allow children to jump up and down on this product

WARNING DO NOT use the seating if any part is broken, torn or missing and use only spare parts approved by the manufacturer

WARNING The maximum weight put on the product is 30 kg.

Care and Maintenance of your Furniture

Do not expose upholstered furniture to direct sunlight for long periods.

Avoid excessive wear and tear on your upholstery.

Avoid allowing pets on the upholstery as their claws may cause damage to the cover.

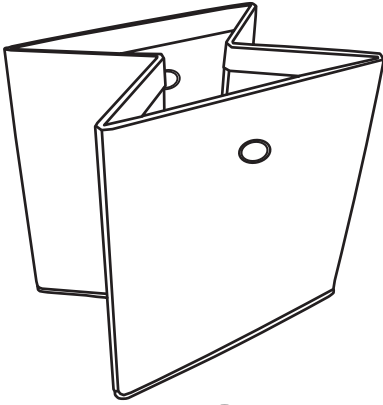
When your new upholstery arrives, you may notice that some of the cover may have been creased or squashed during transit. This can be simply corrected by gently patting the cover/foam back into shape to re-distribute the foam and reshape the covering.

Cleaning Advise

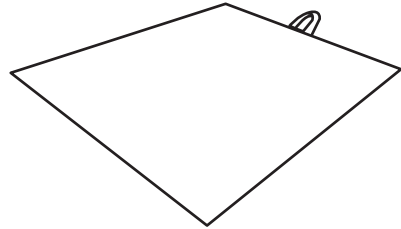
For light daily cleaning, use a clean, damp cloth (not wet).

In case stronger cleaning is required, use only detergent specially recommended for your furniture.

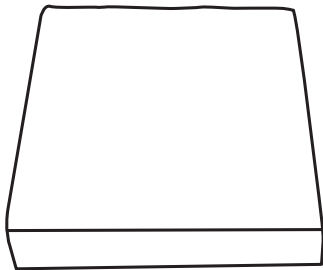
PARTS LIST



1



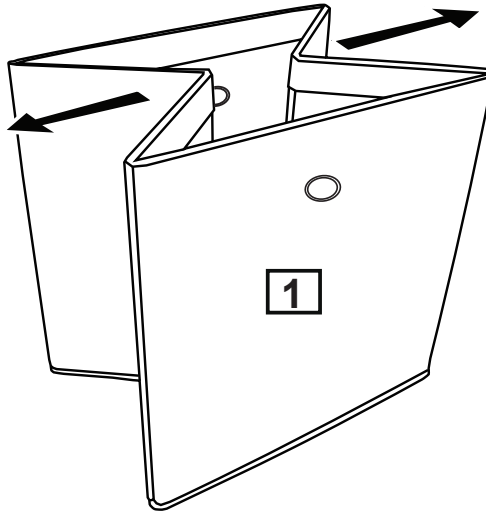
2



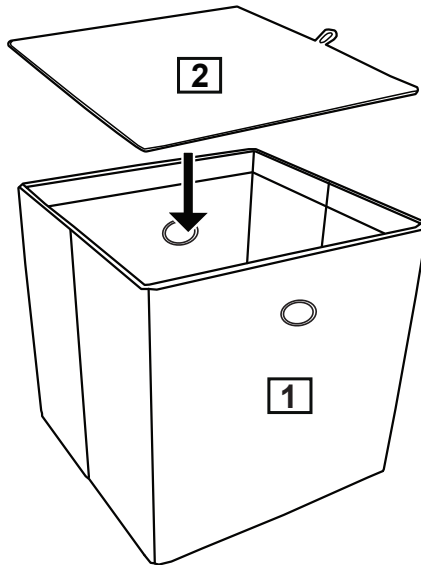
3

NO	PARTS LIST	QTY
(1)	Base Box	1
(2)	Bottom Pad	1
(3)	Base Lid	1

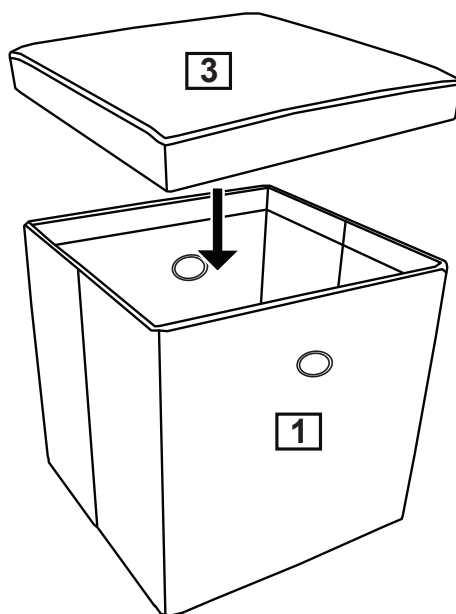
1



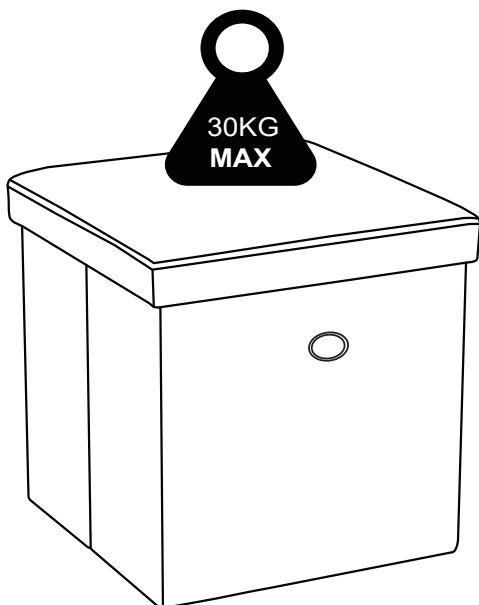
2



3



4



No Jumping