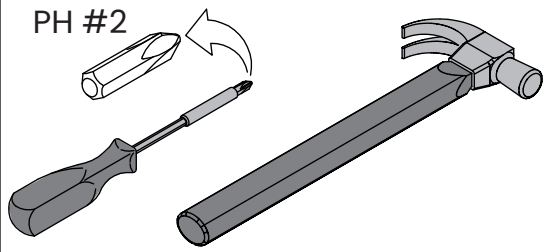
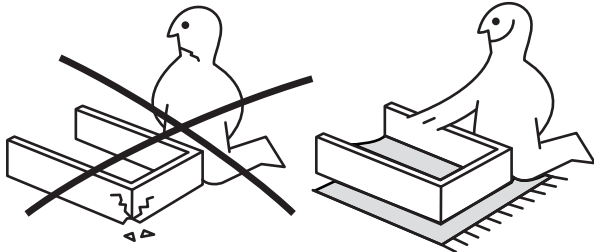
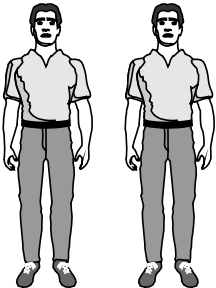
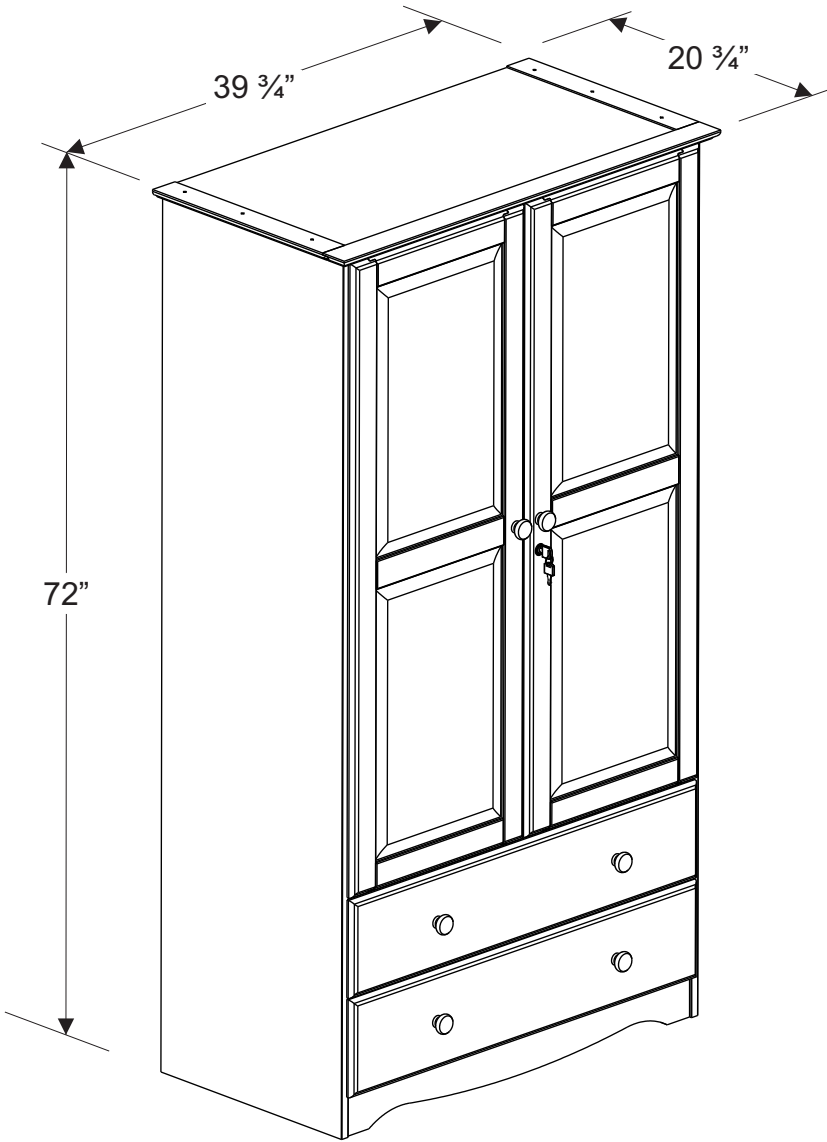


# ASSEMBLY GUIDE

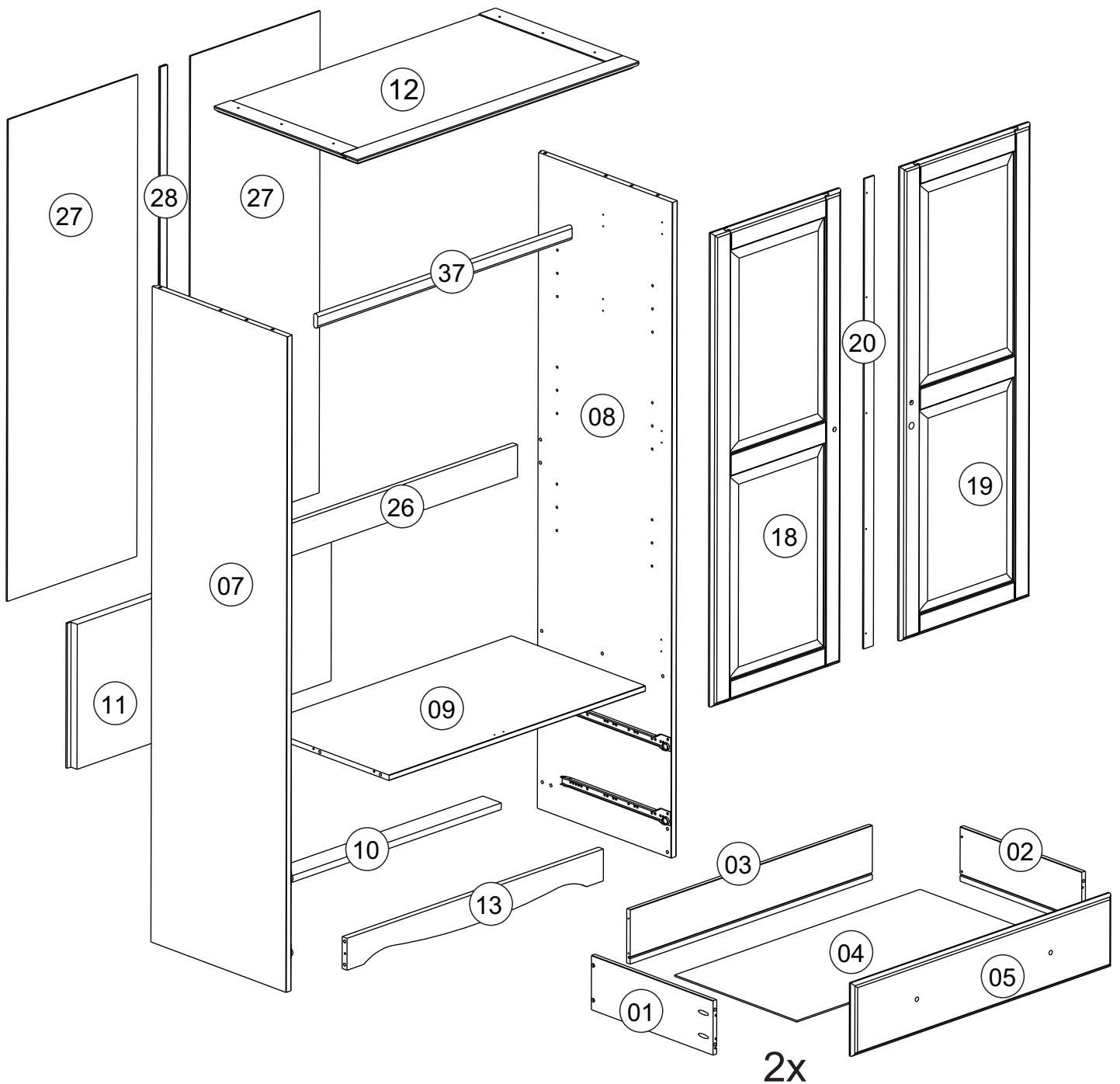
## SMART 2-DOOR WARDROBE






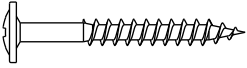

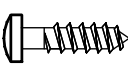
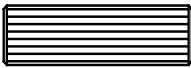
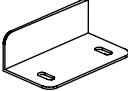
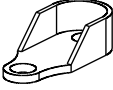
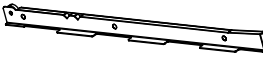
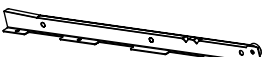
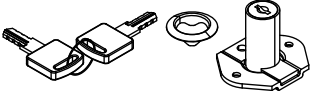
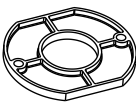
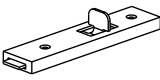
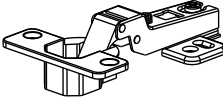
# PRE-ASSEMBLY PREPARATION

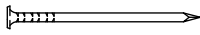
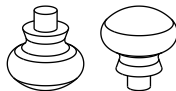
- Please check the contents before assembling. A full checklist of parts is provided below.
- If any parts are missing or damaged, please contact customer service
- Assemble on a flat, smooth surface on top of a blanket
- Use only low-speed power drill setting
- Assemble as near as possible to the point of use
- The hardware pack contains SMALL ITEMS which should be KEPT AWAY FROM YOUNG CHILDREN

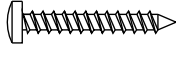
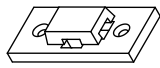

## PARTS DIAGRAM



SCREWS ARE SHOWN IN ACTUAL SIZE

A1	 4,0x30	32+1
A8	 3,0x20	02+1
A16	 4,0x40	06+1
A41	 4,0x30	06+1
A42	 4,0x14	12+1
A44	 3,5x14	41+2
C2	 8,0x25	32+1
D3		02
D10		02
E17	 450mm - 17 3/4"	02
E18	 450mm - 17 3/4"	02
F1		01
F2		01
F3		02
F10		06

G1	 10x10	50
H1		06

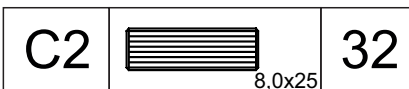
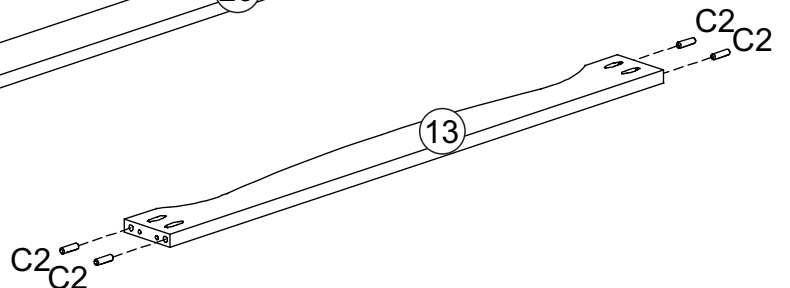
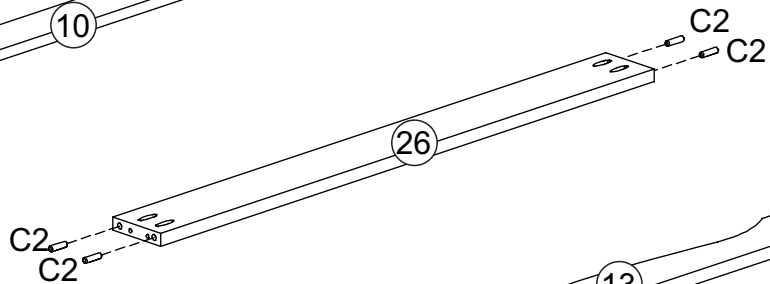
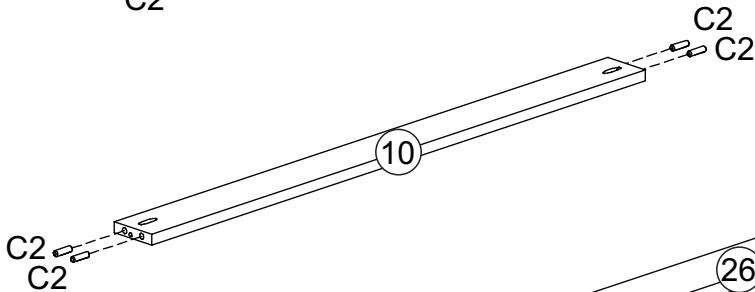
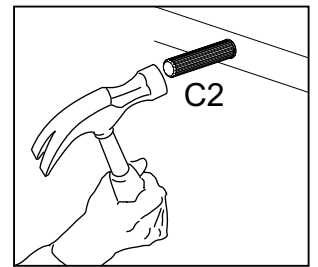
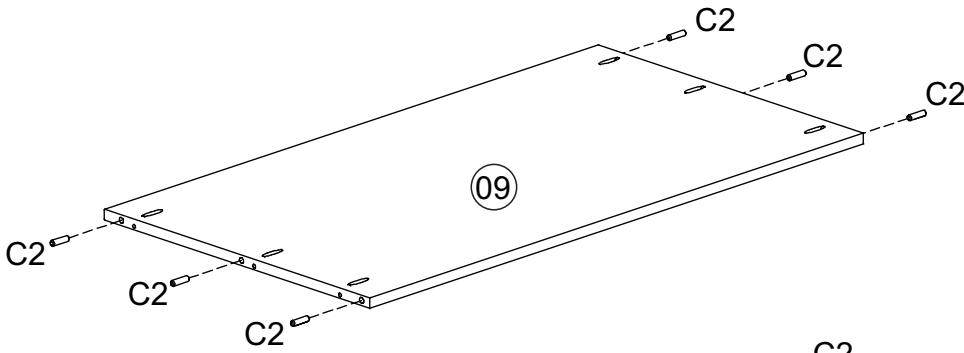
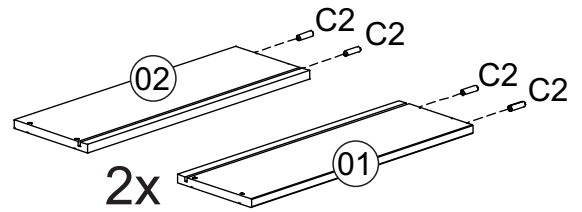
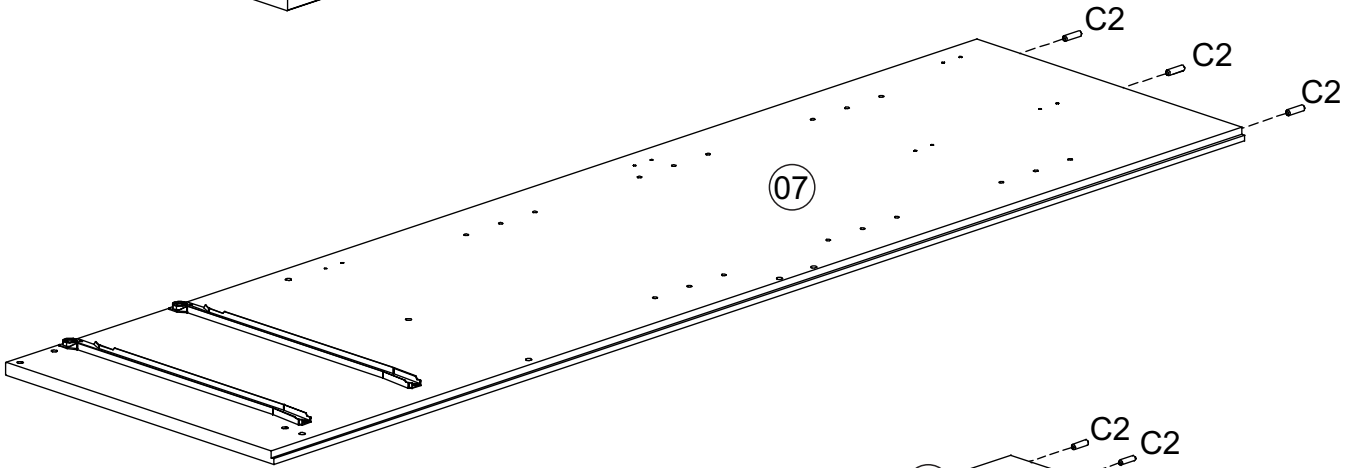
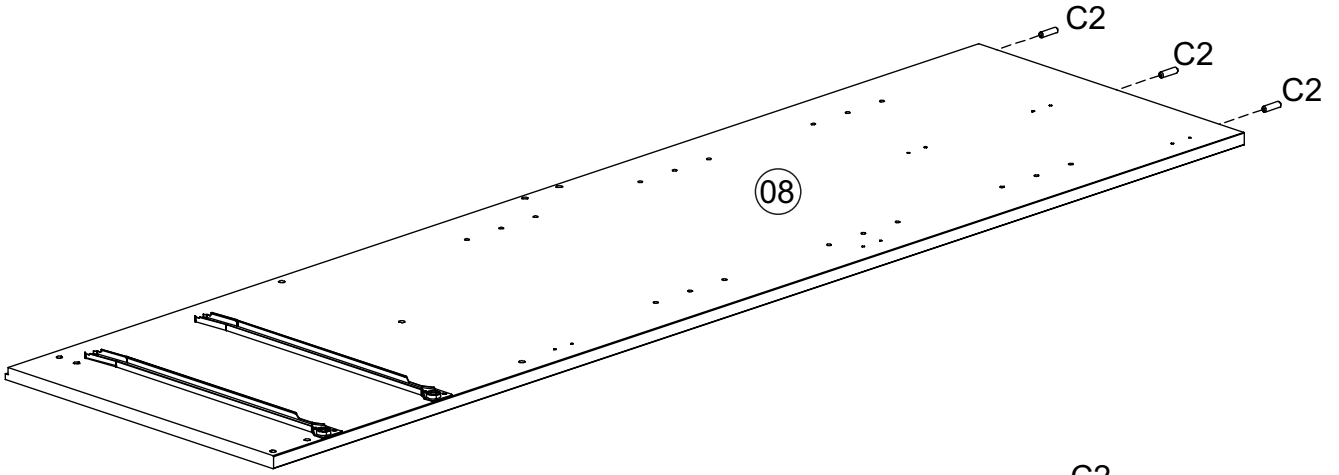
FURNITURE TIPOVER PREVENTION KIT		
A8	 3,0x20	02+1
F8		02
F9		01

**WARNING:**  
 **CHOKING HAZARD**  
 Small Parts.  
 Adult Supervision Required.  
 Not for children under 3 years old.

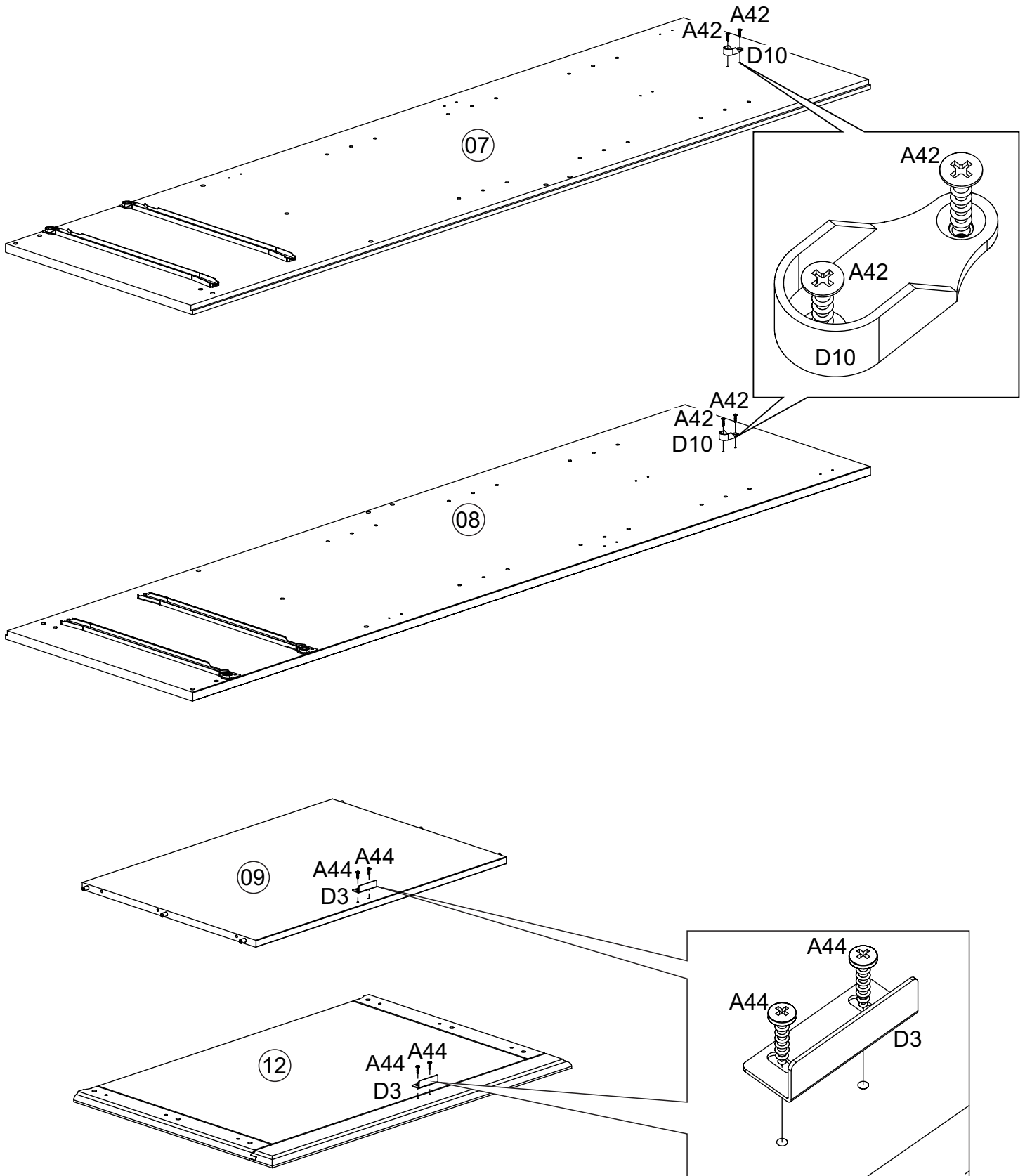
**WARNING:**  
  
**FURNITURE TIPOVER CAN RESULT  
 IN SERIOUS INJURY OR DEATH**



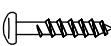

This wardrobe includes tipover-  
 prevention hardware that  
**MUST BE ATTACHED TO THE WALL**  
 per the assembly instructions.

01)

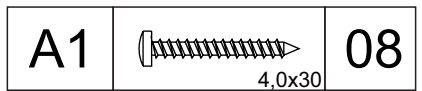
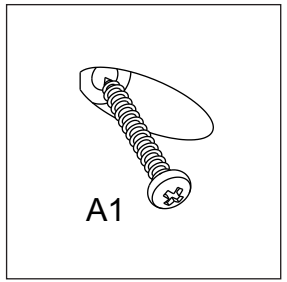
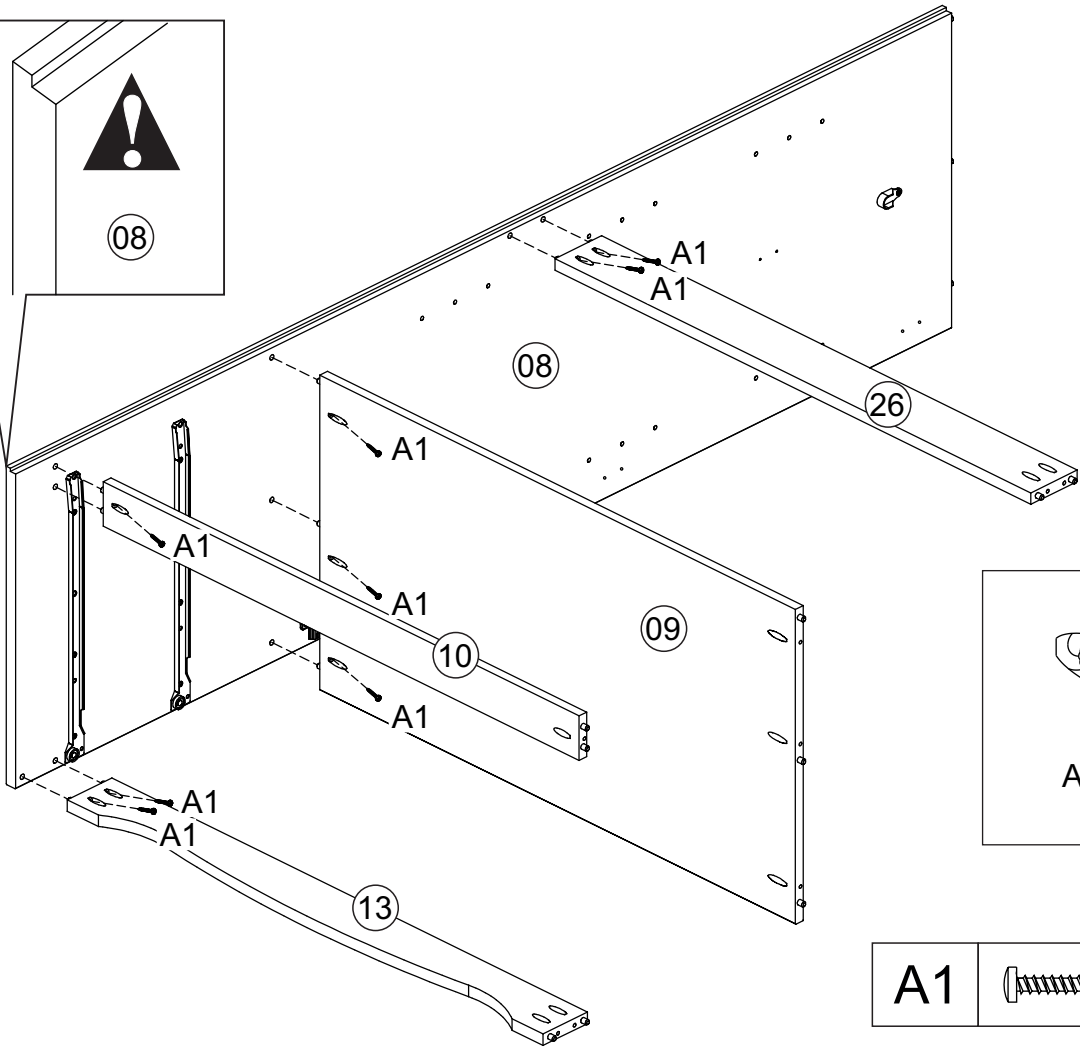
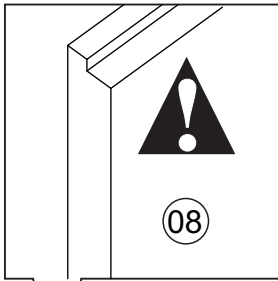


02)

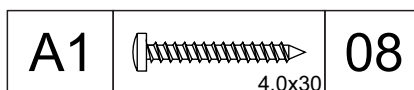
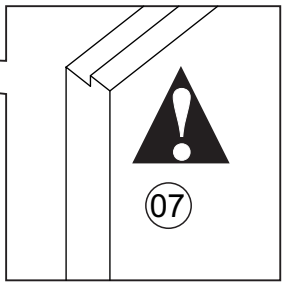
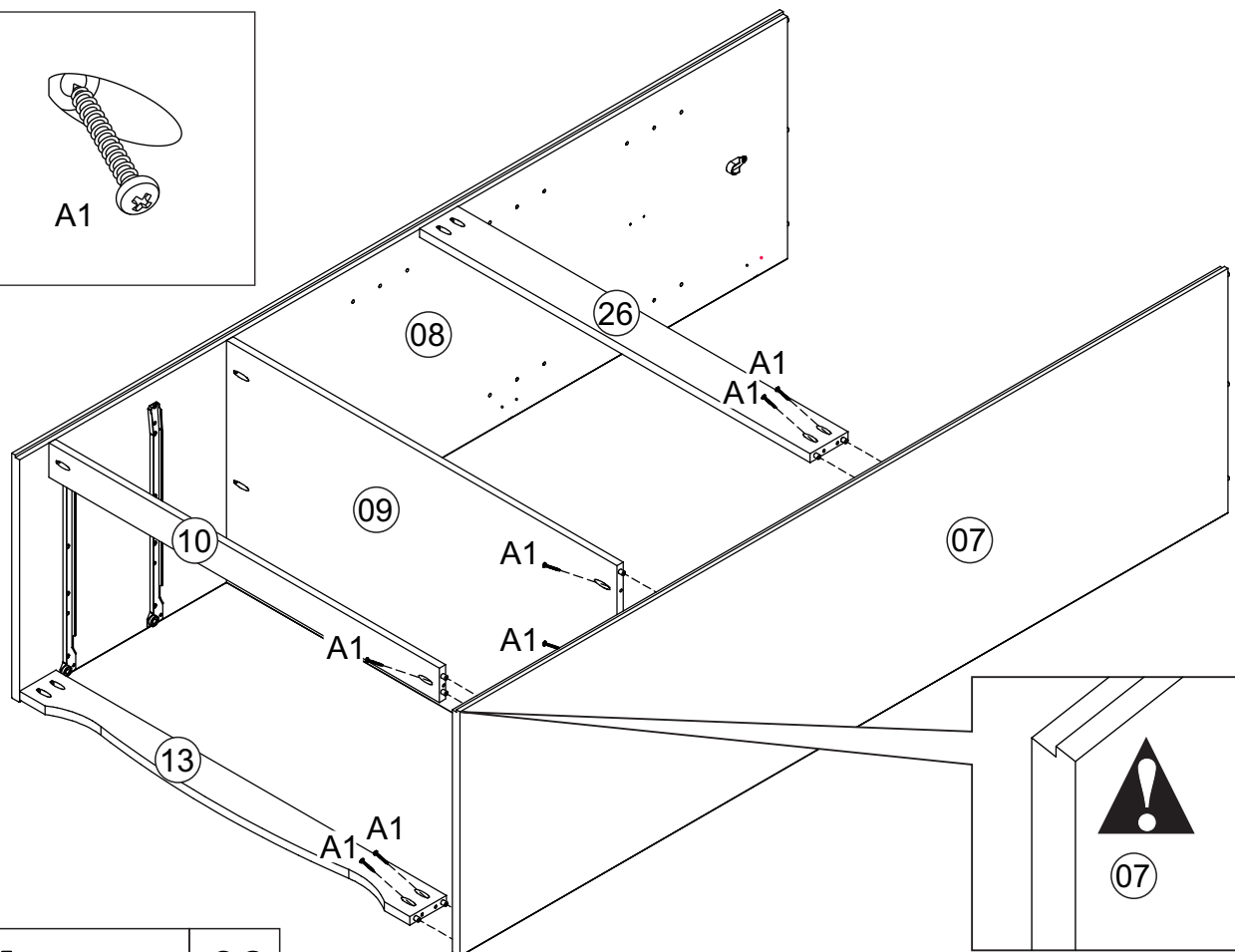
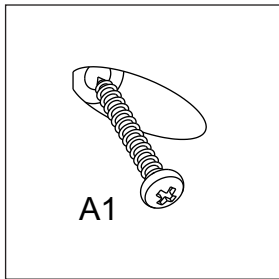


A42		04	D3		02
	4,0x14				
A44		04	D10		02
	3,5x14				

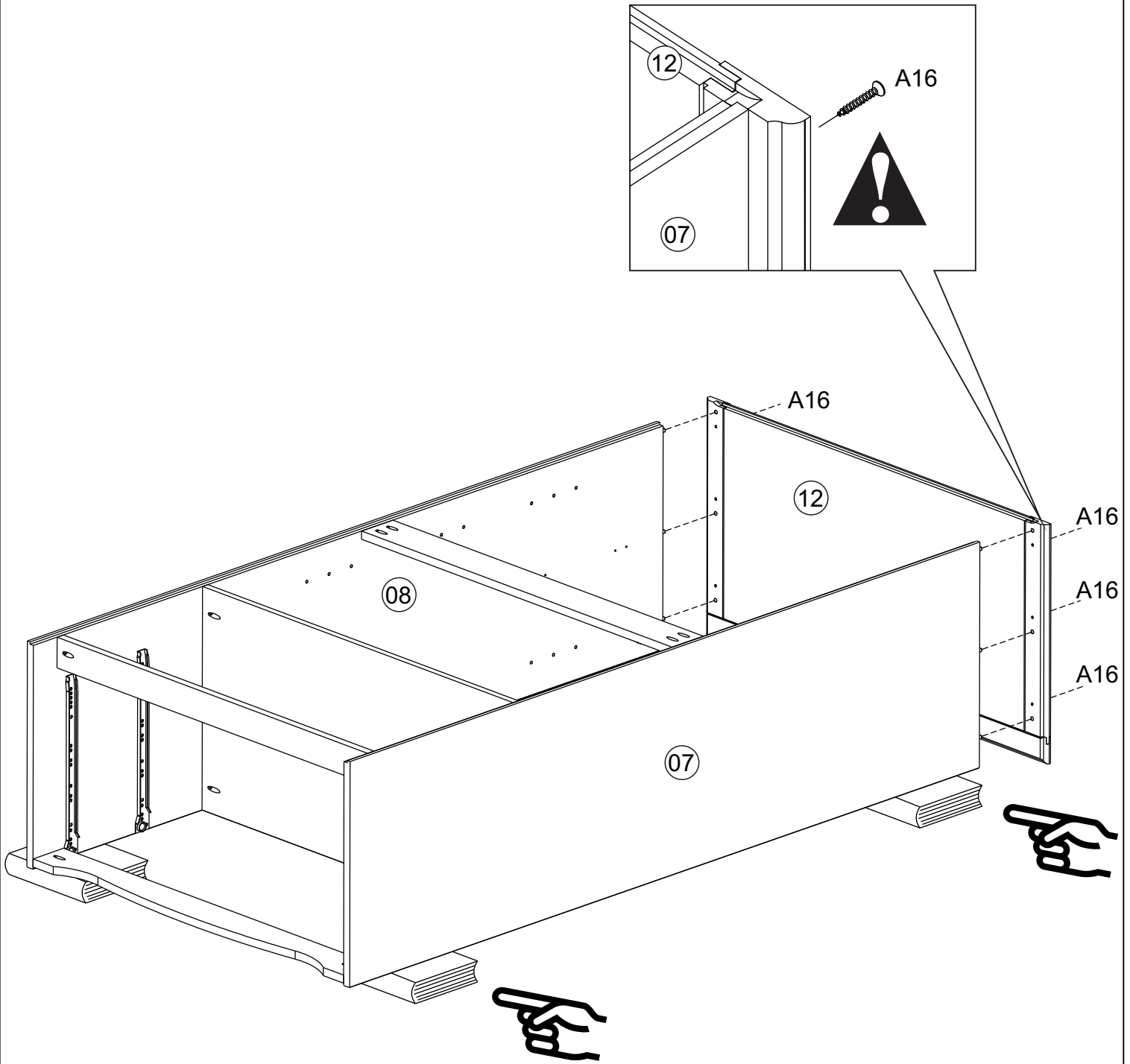
03)



04)



05)



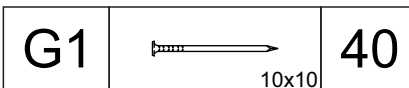
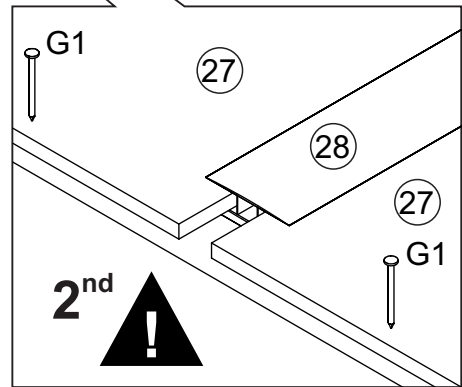
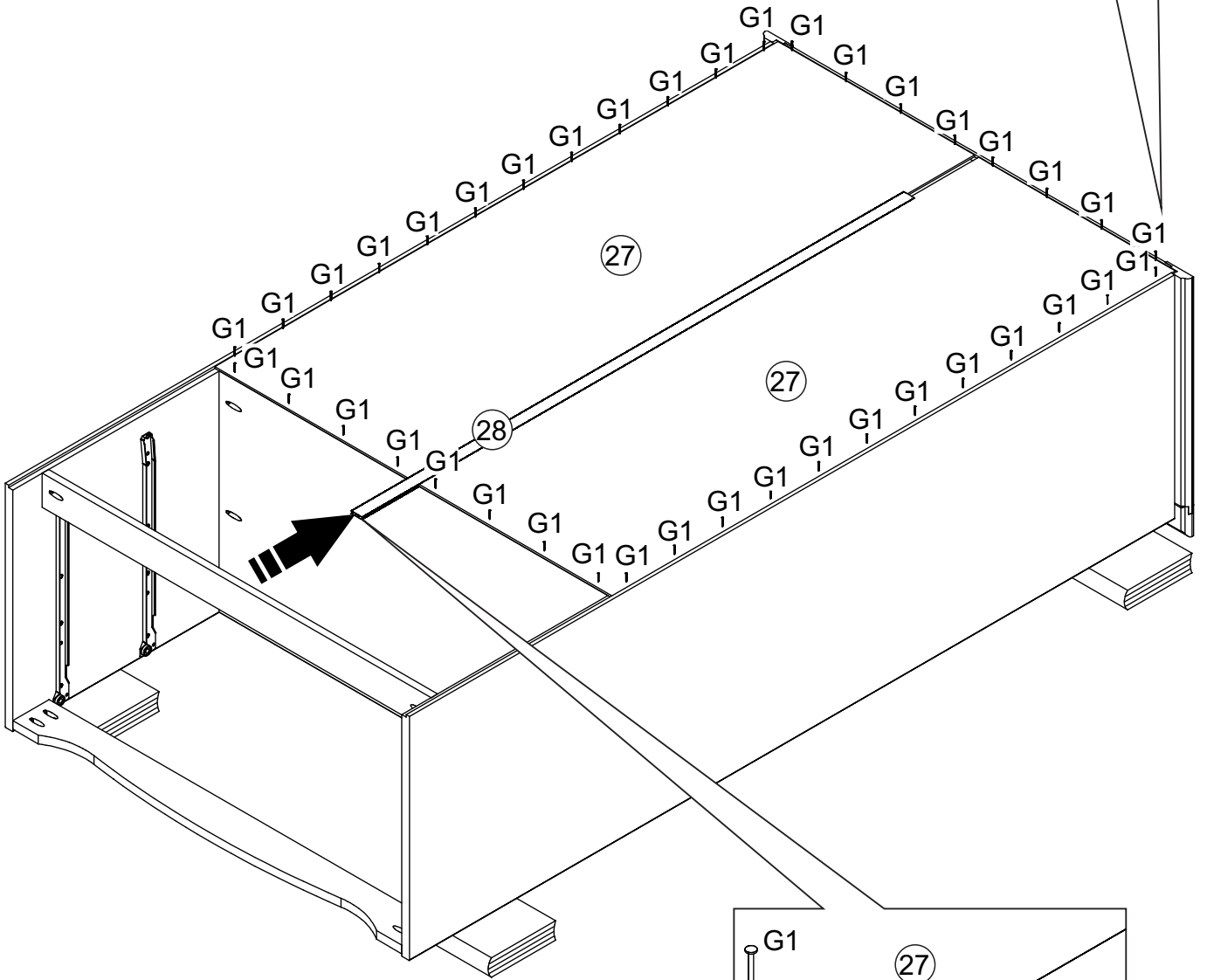
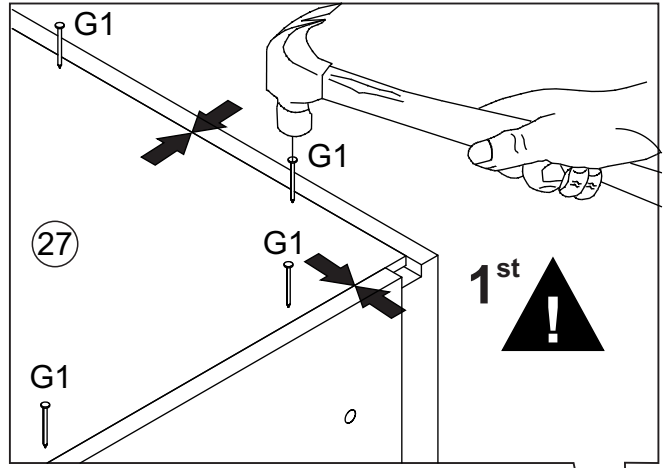
A16



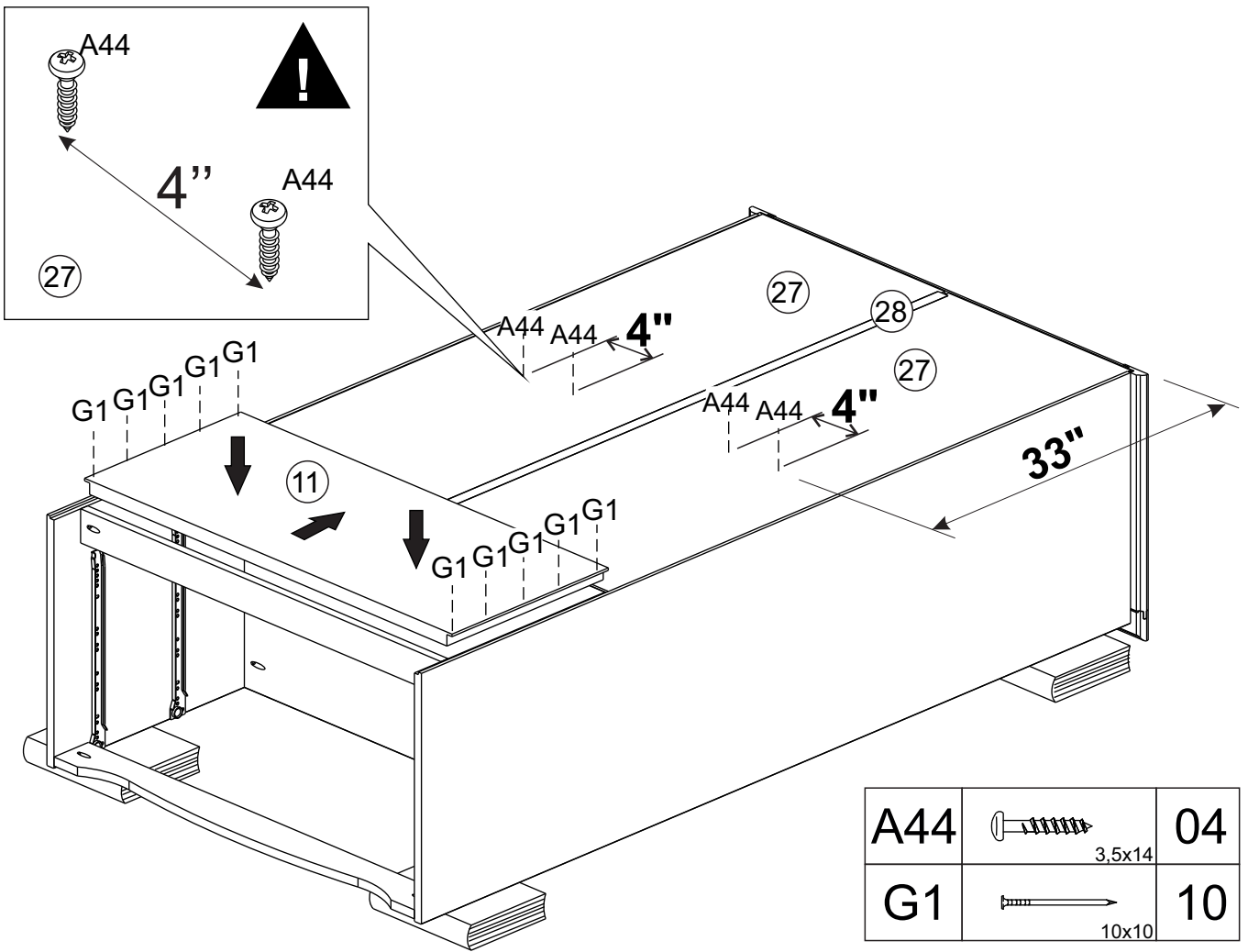
06

4.0x40

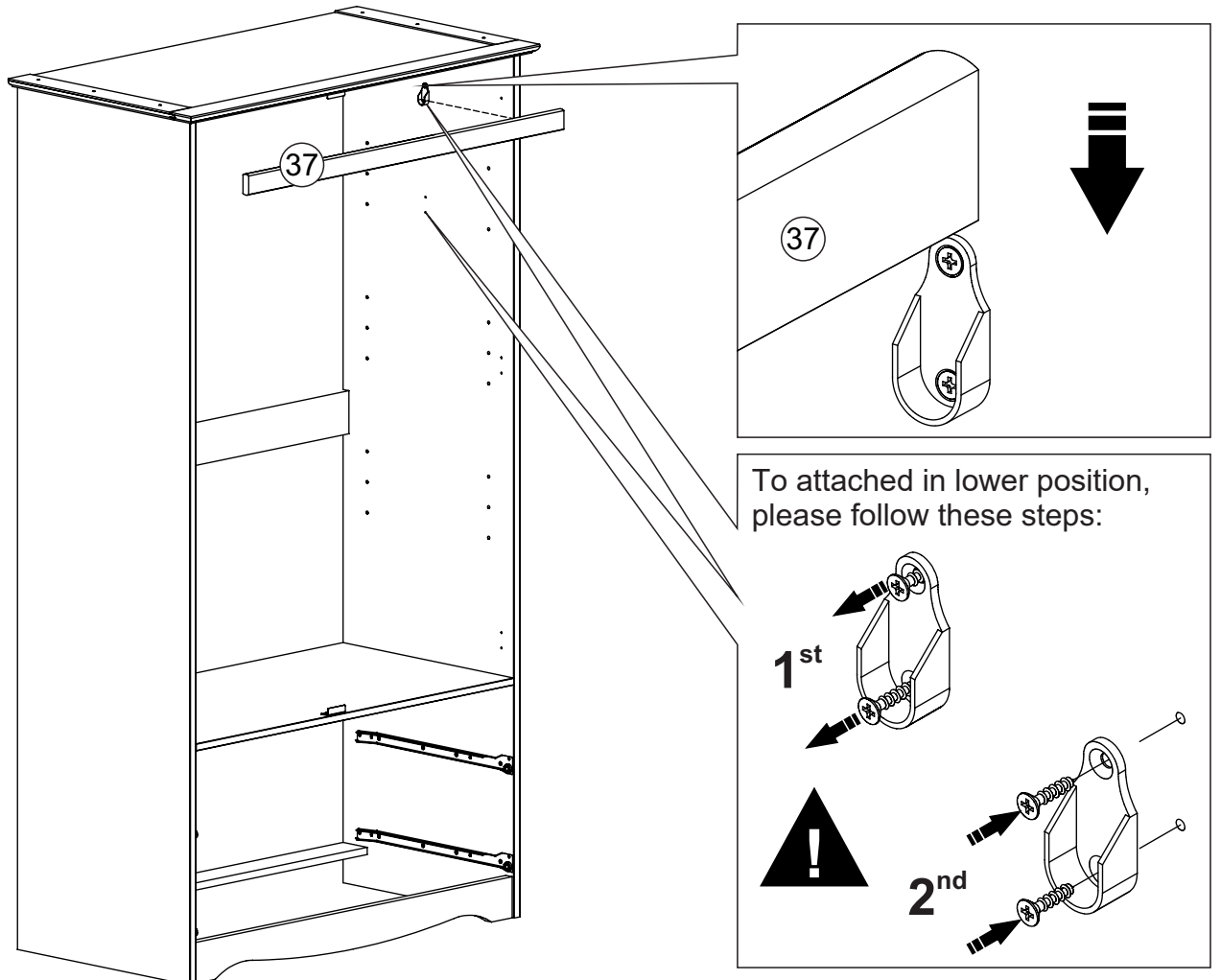
06)



07)

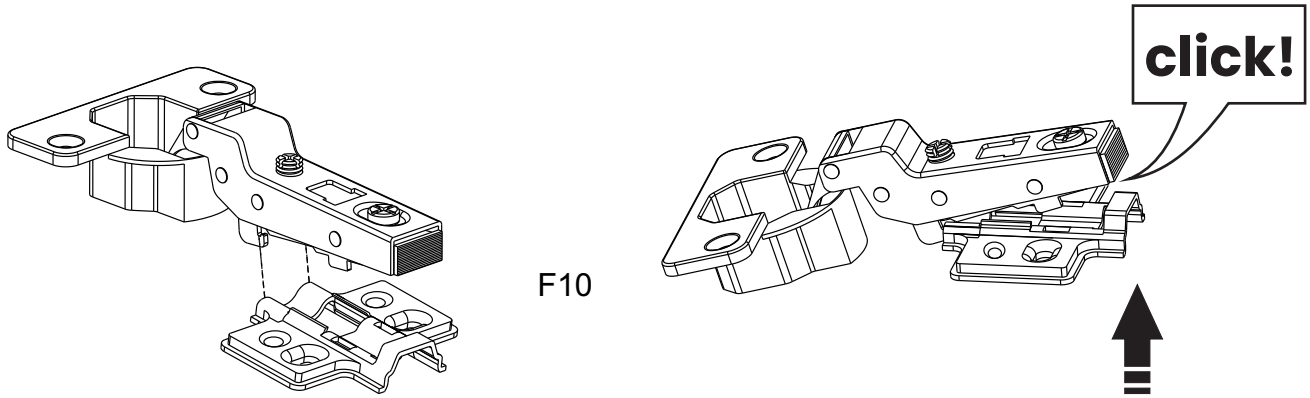


08)

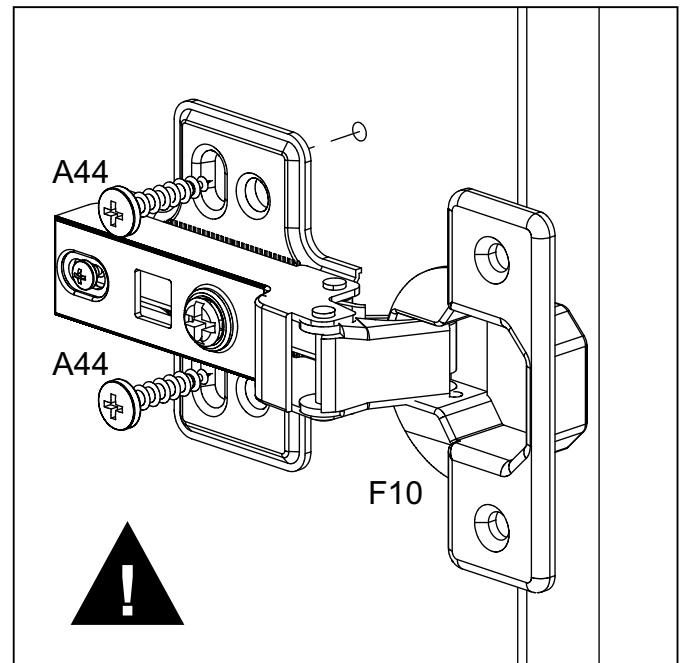
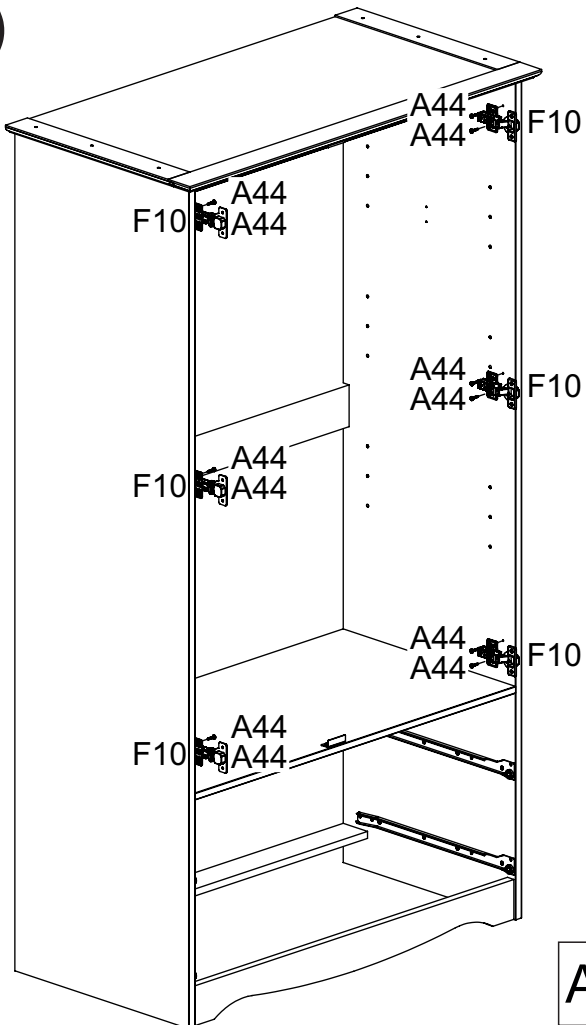


09)

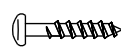
Attach hinge ( F10 ) to hinge plate if it came separated.  
Push hinge against plate until it clicks.



10)



A44



3,5x14

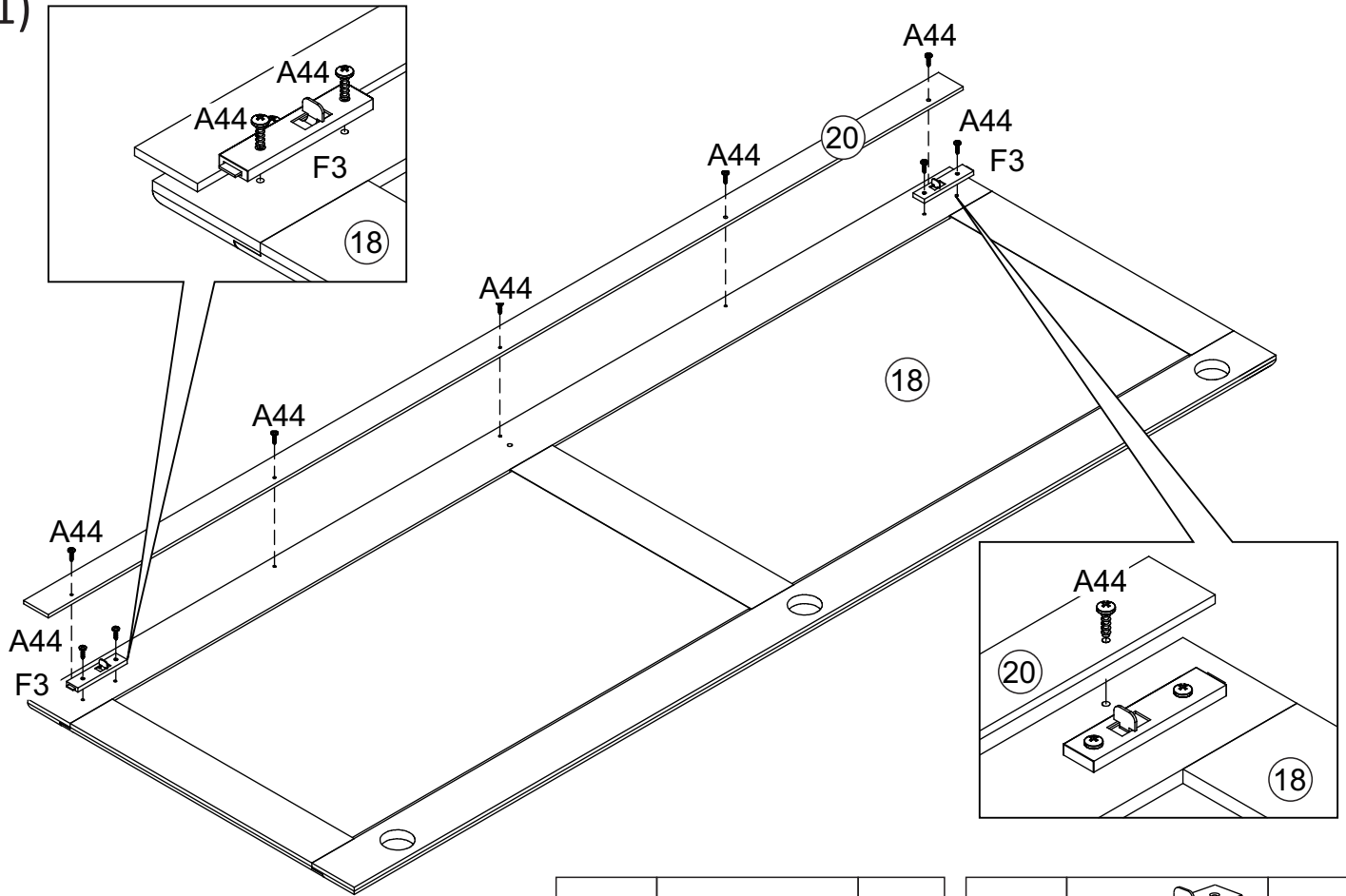
12

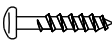
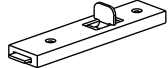
F10



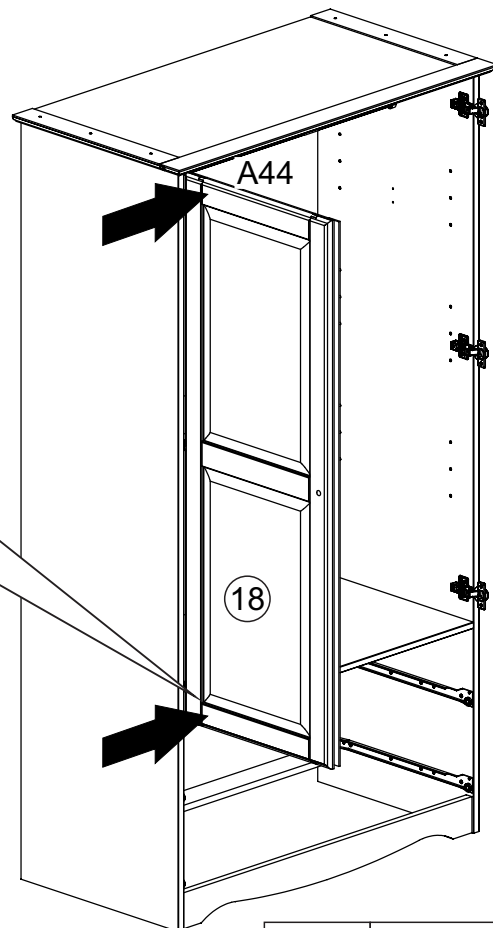
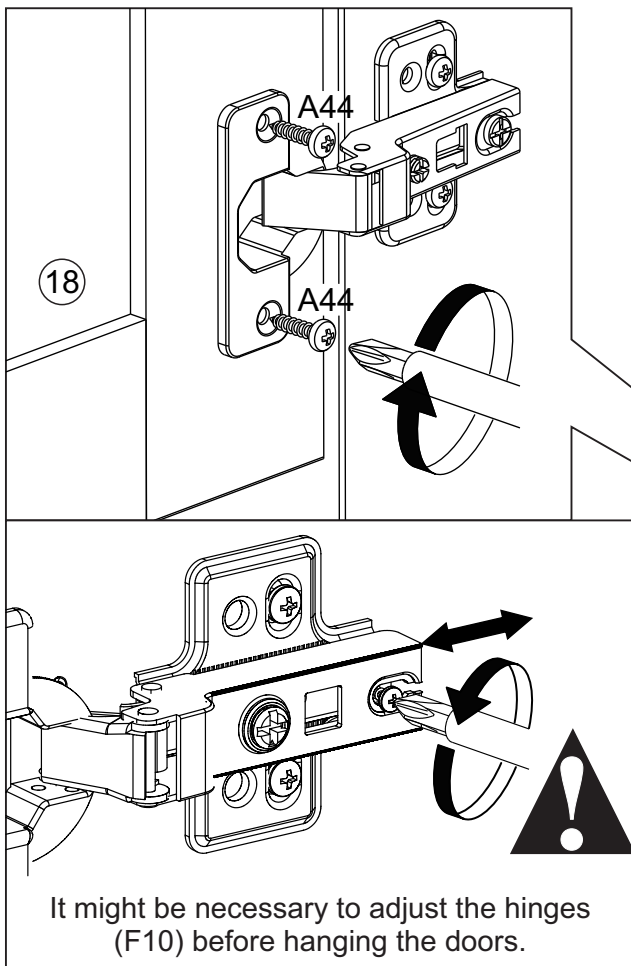
06

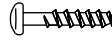
11)



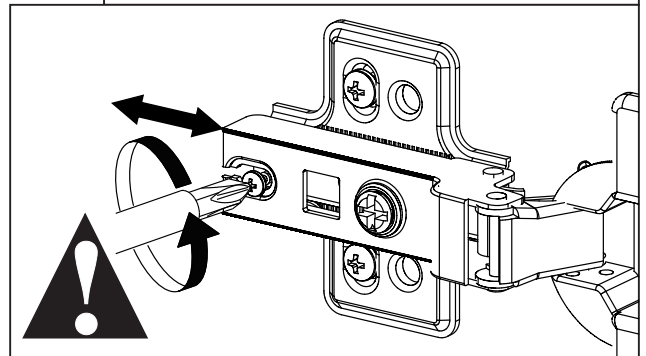
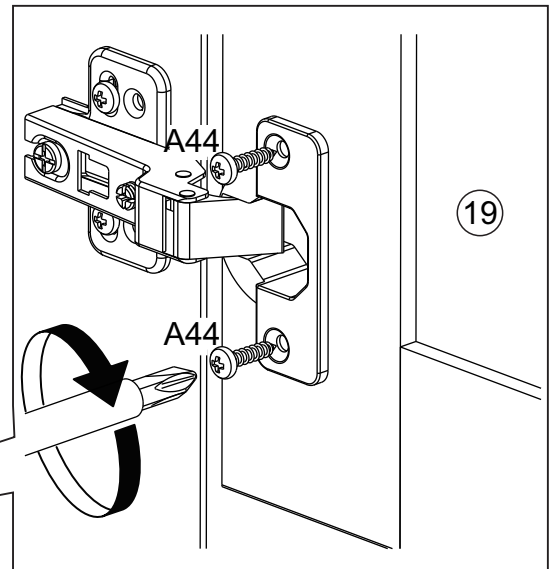
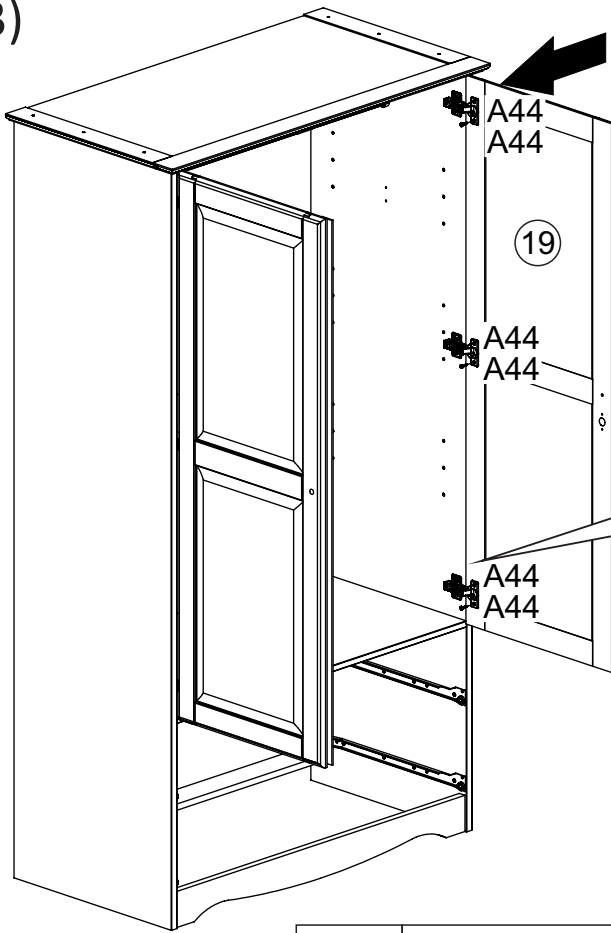
A44		09	F3		02
	3.5x14				

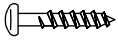
12)



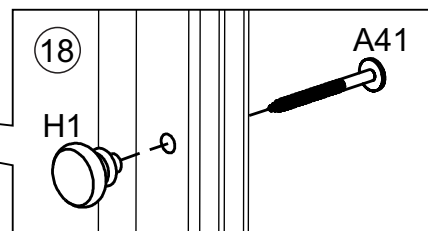
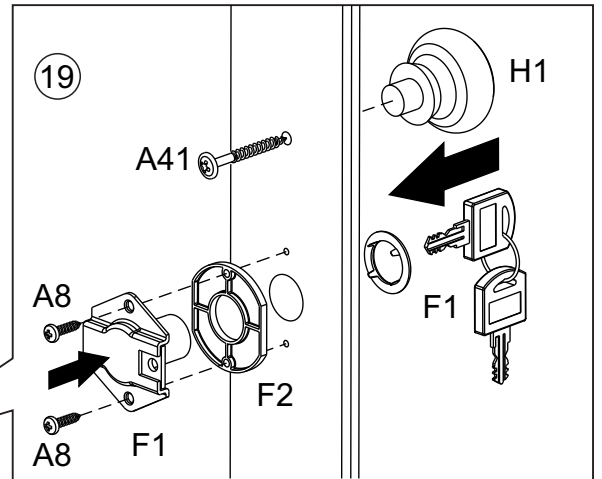
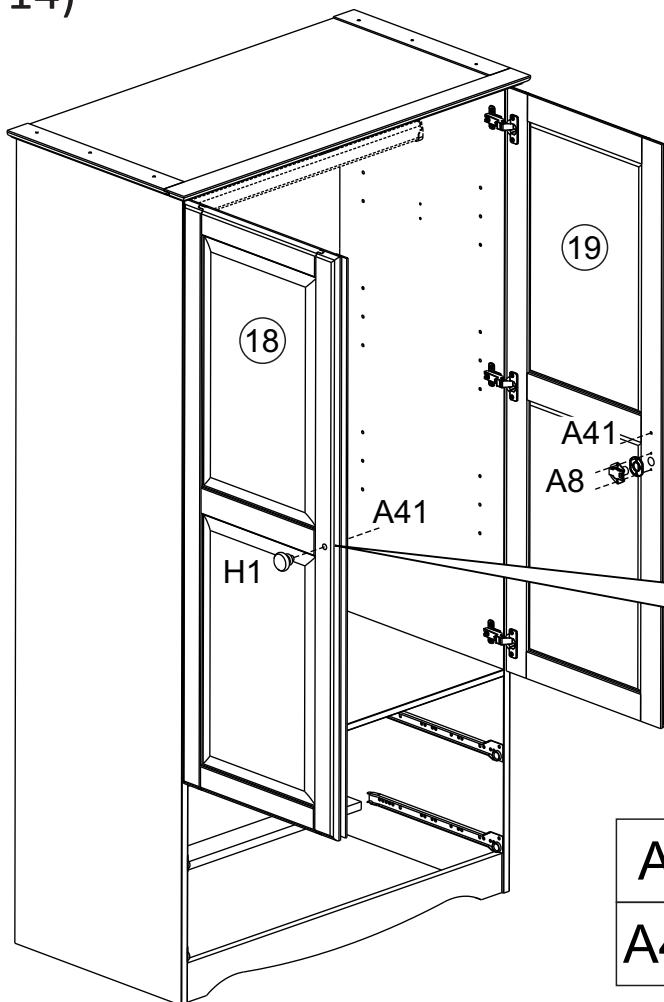
A44		06
	3.5x14	

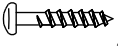
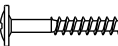
13)



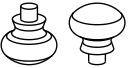


A44		06
	3,5x14	

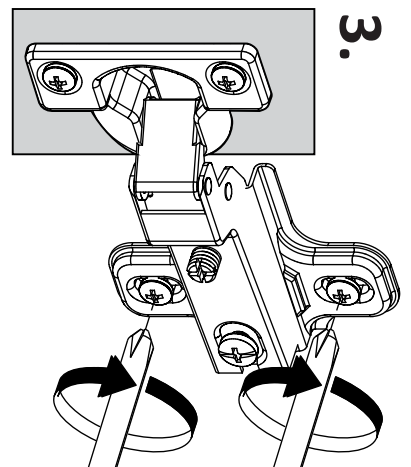
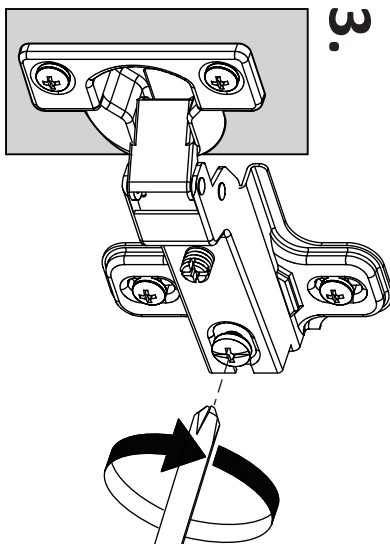
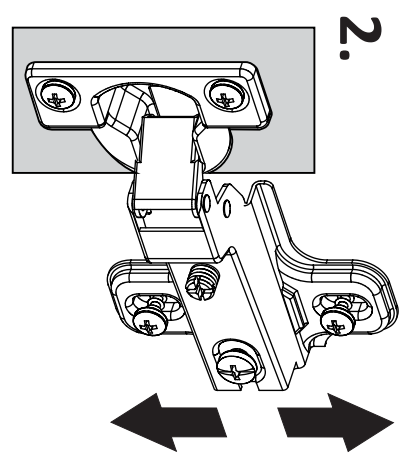
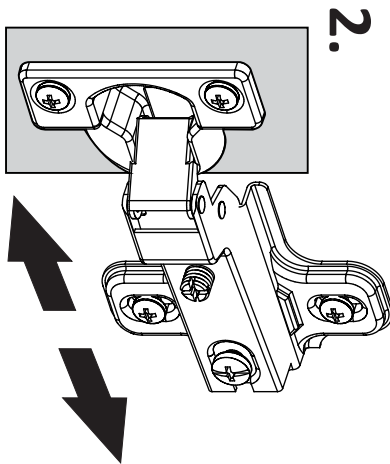
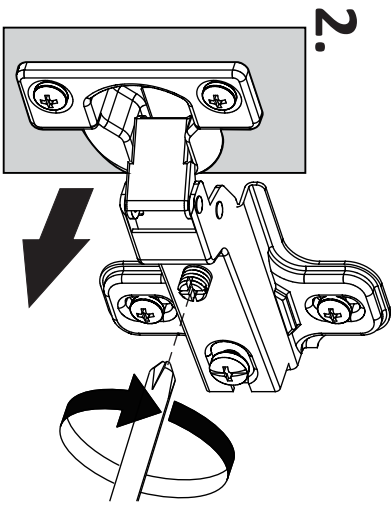
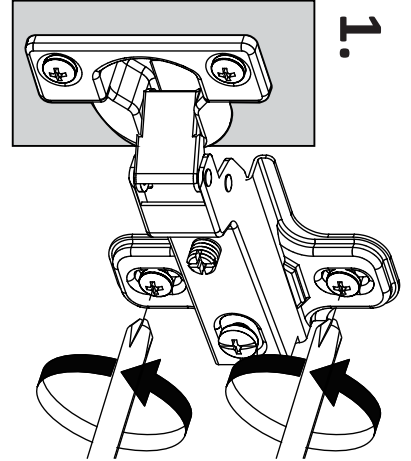
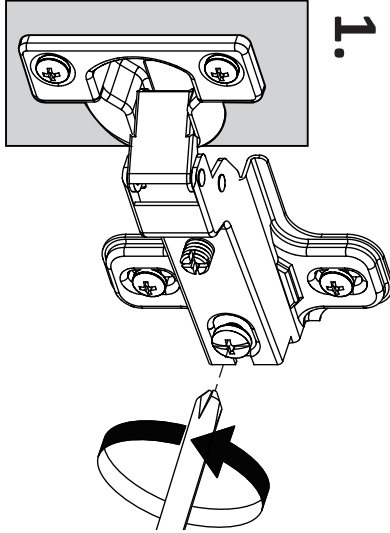
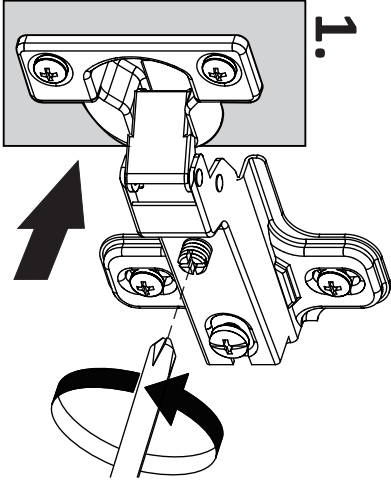
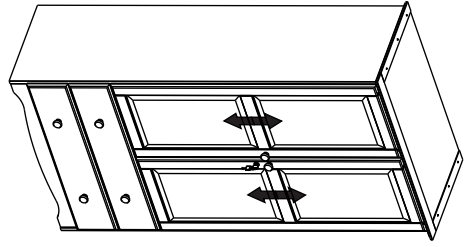
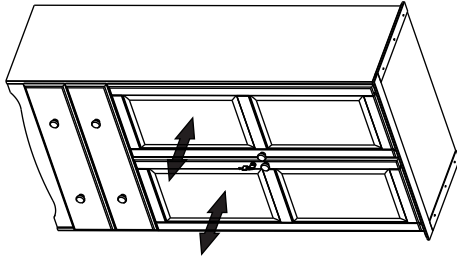
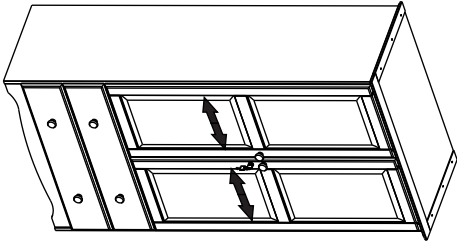
14)



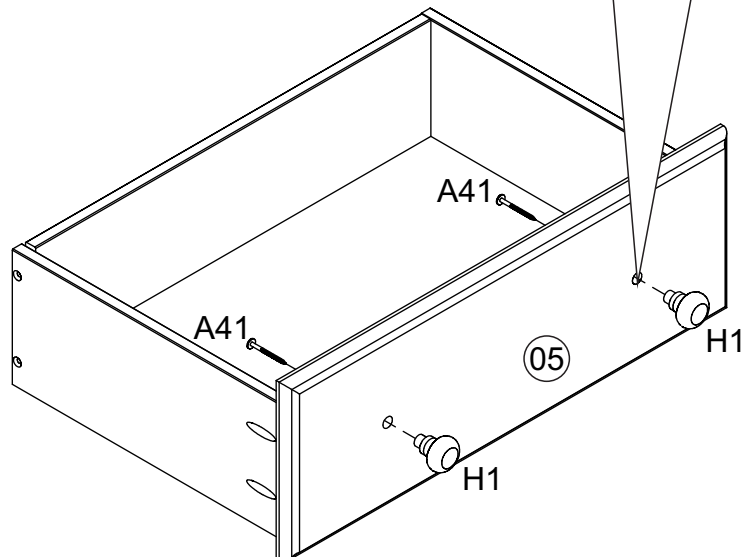
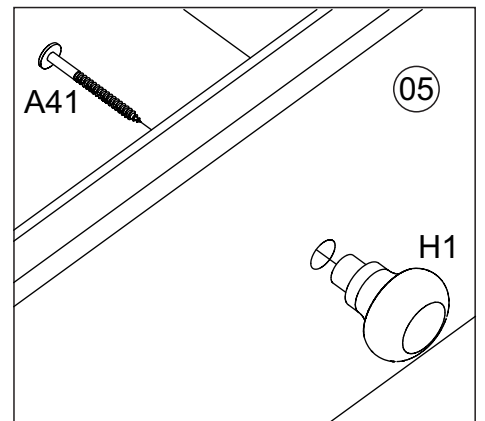
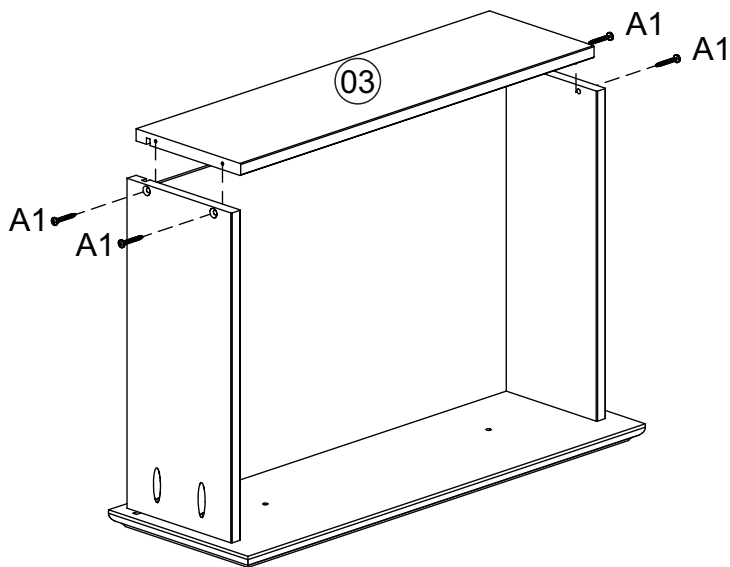
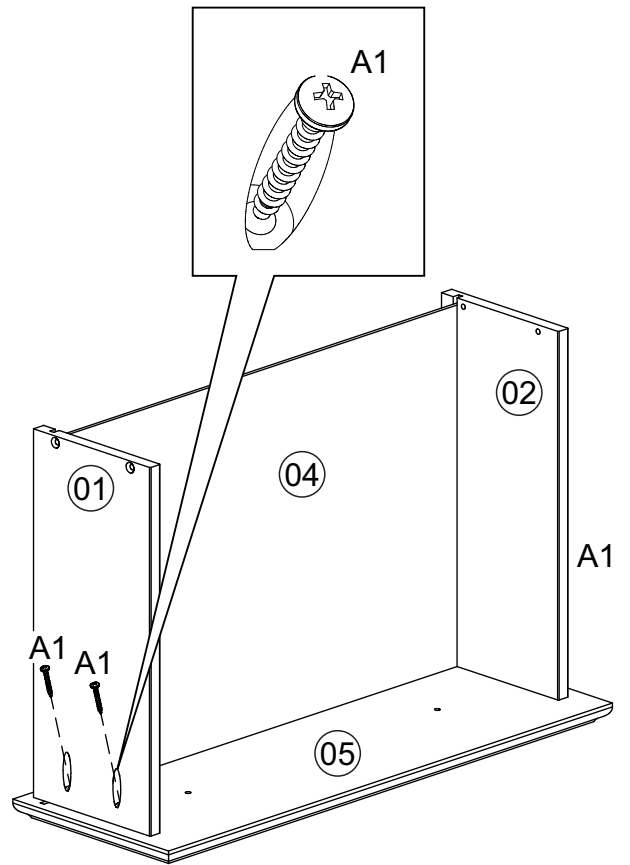
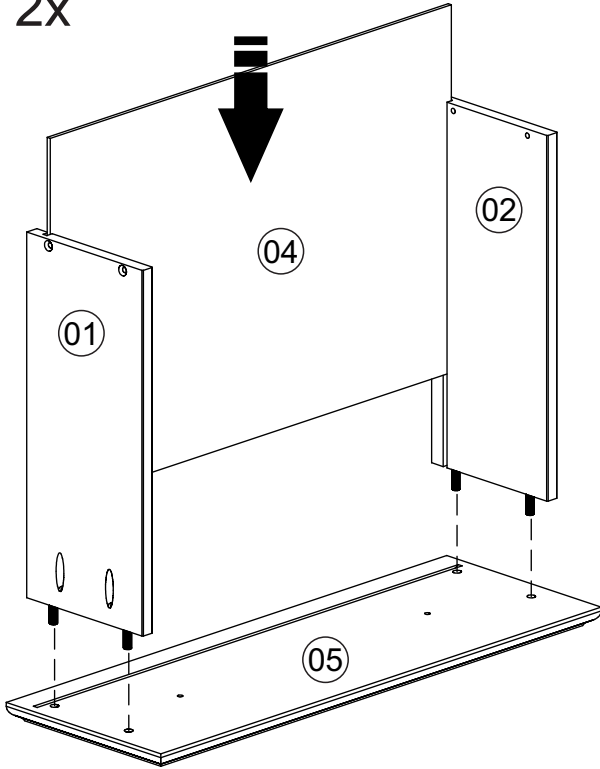
A8		02
	3,0x20	
A41		02
	4,0x30	




F1		01
F2		01
H1		02

# 15) HINGE ADJUSTMENT GUIDE.

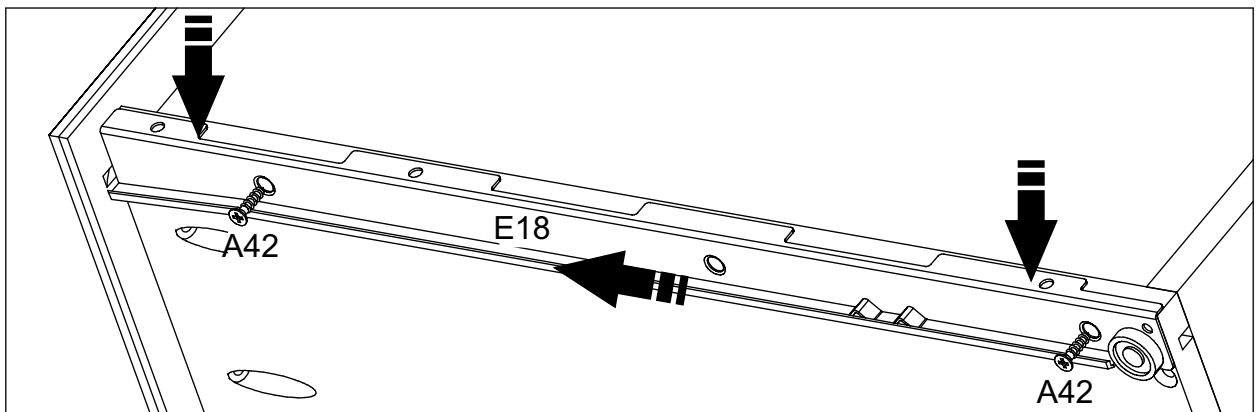
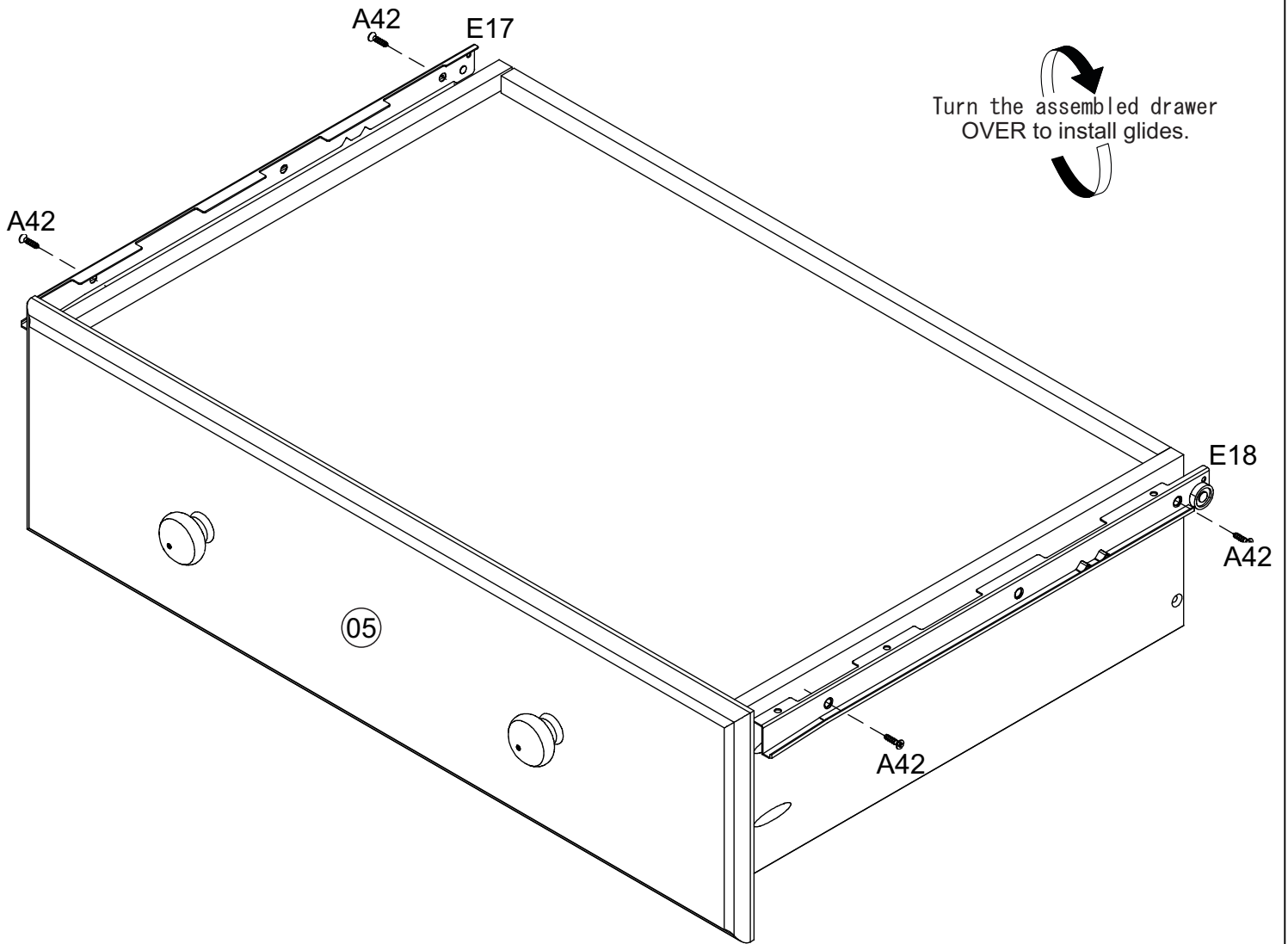
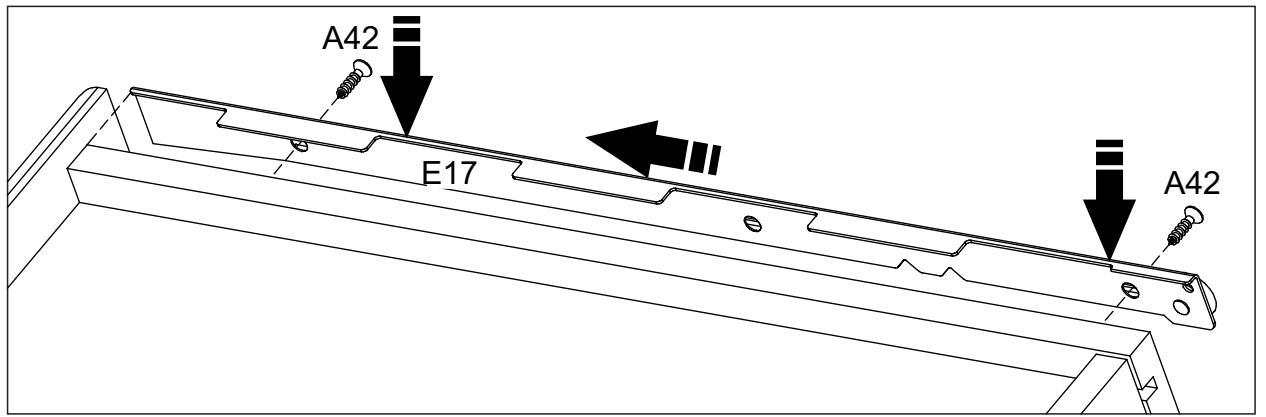



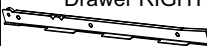
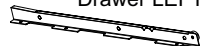
16) 2x



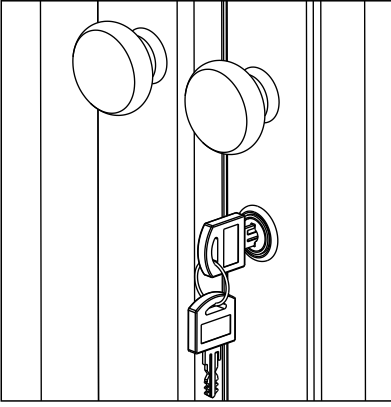
A1	 4.0x30	16
A41	 4.0x30	04
H1		04

17) 2x

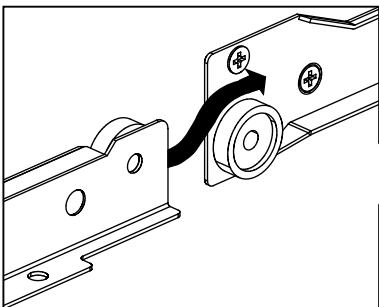
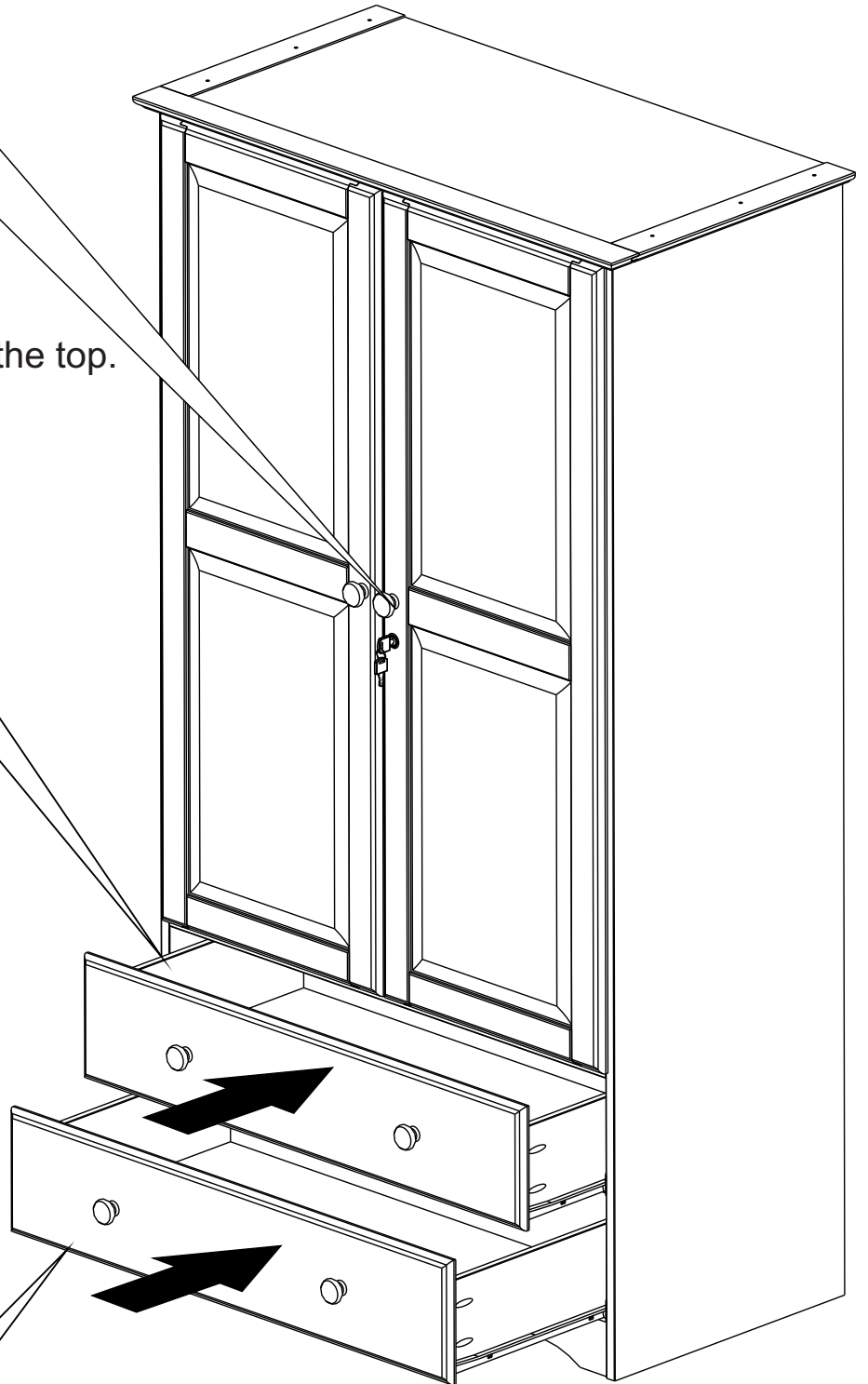
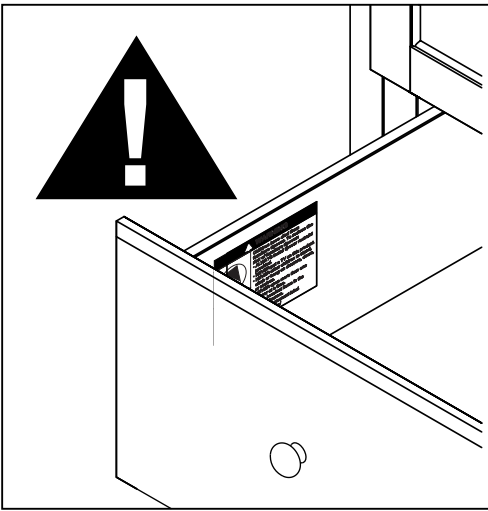


A42	 4,0x14	08	E17	 Drawer RIGHT 450mm - 17 3/4"	02	E18	 Drawer LEFT 450mm - 17 3/4"	02
-----	---	----	-----	--	----	-----	---	----

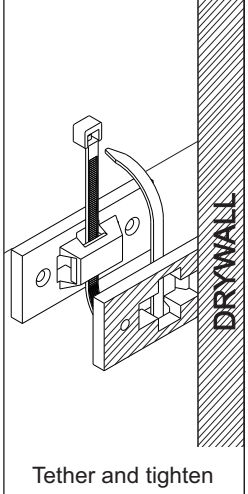
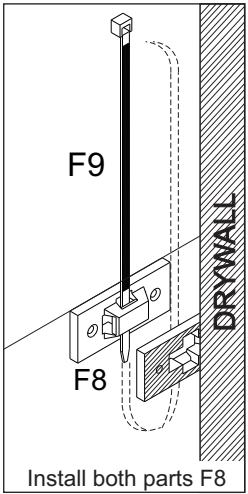
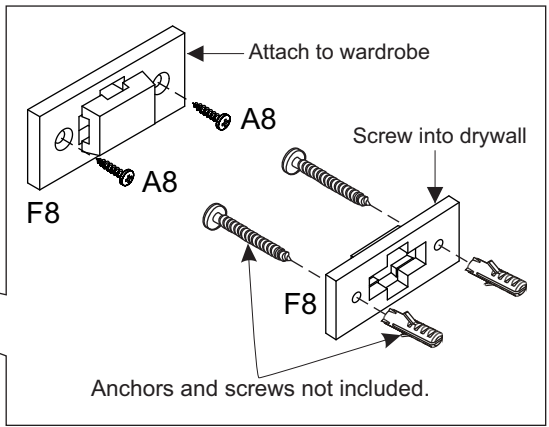
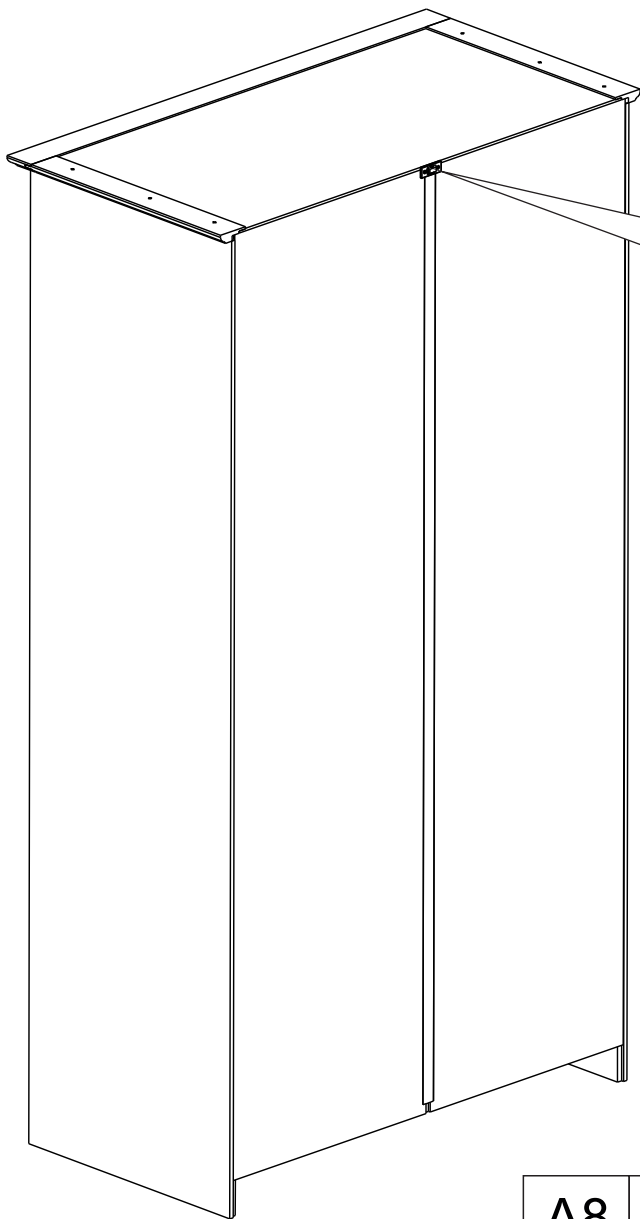
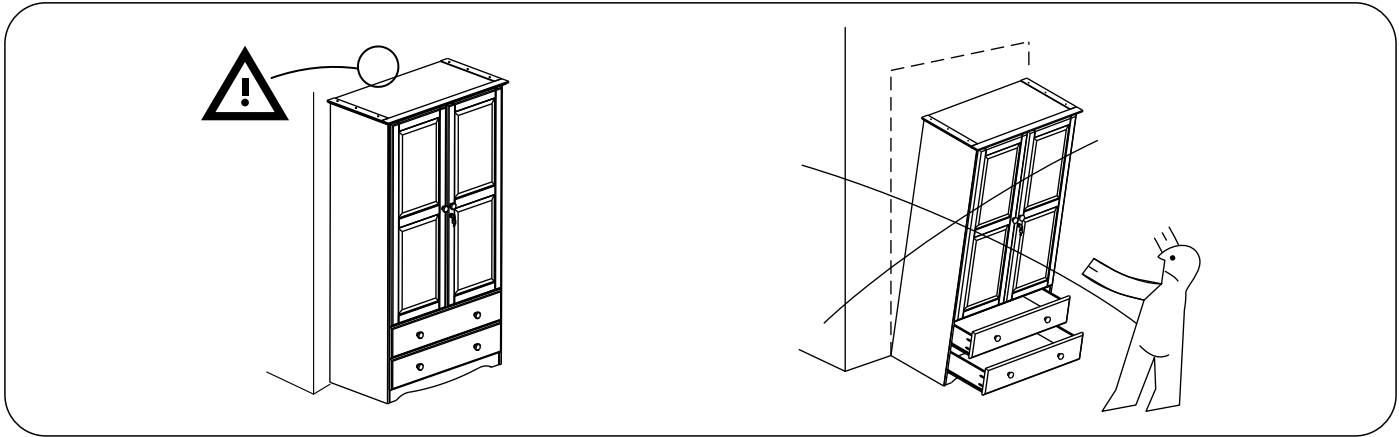
18)


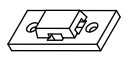



Place the labeled drawer at the top.



# 19) FURNITURE TIPOVER PREVENTION KIT INSTALLATION



A8	 3.0x20	02
F8		02
F9		01